



Yes, you can.®

INVACARE REA AB
Box 200, S-343 75 DIÖ
Tel. +46(0)476/535 00 - Fax +46(0)476/535 98

Manual Wheelchairs European Prescription Form

LPFNOREA-Clematis-160101

Created/Modified by: Chris Den Ouden

Rea™ Clematis®

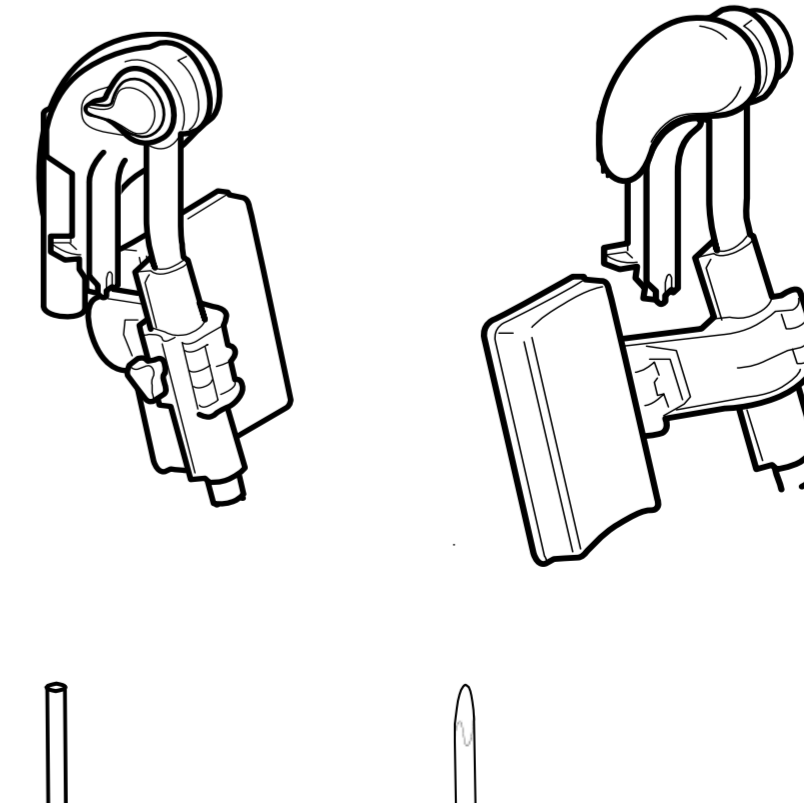
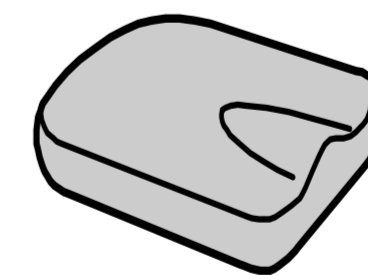
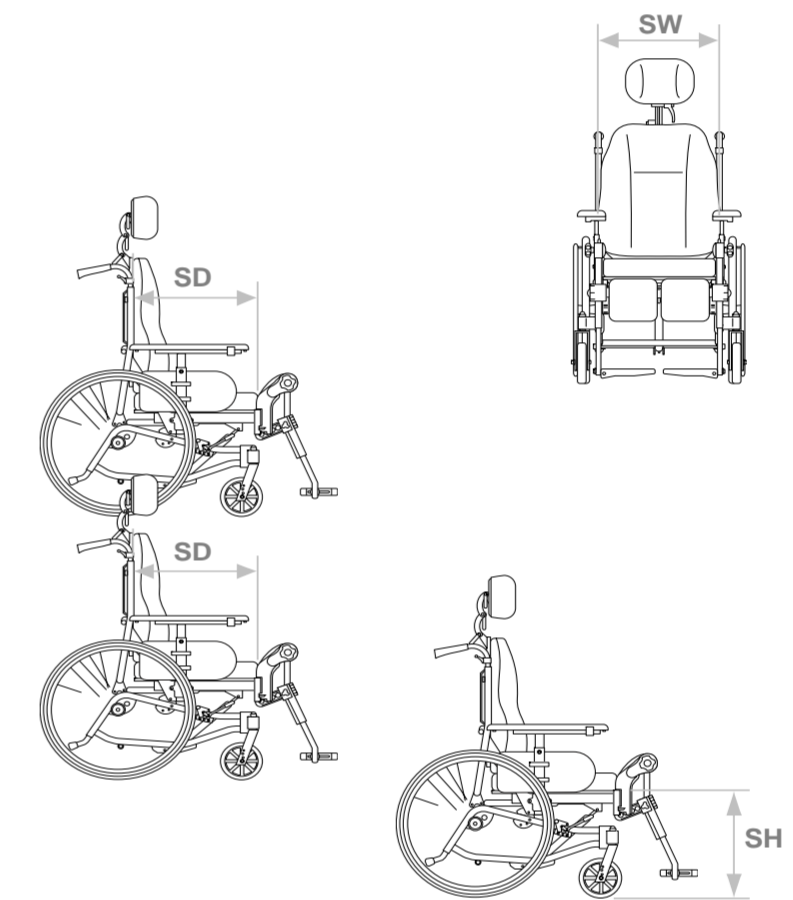
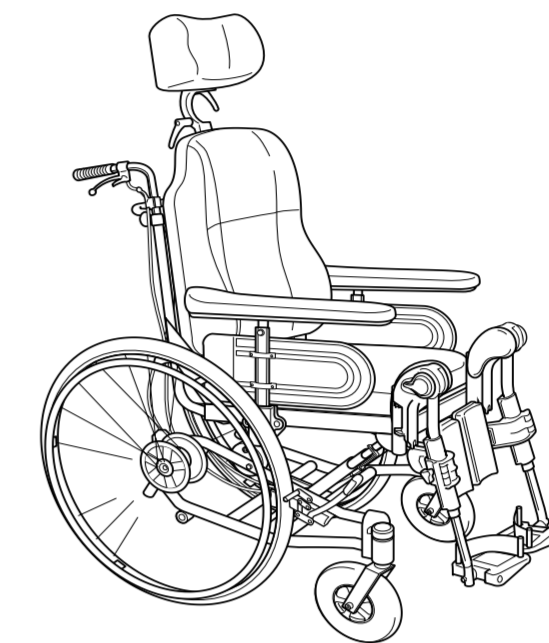


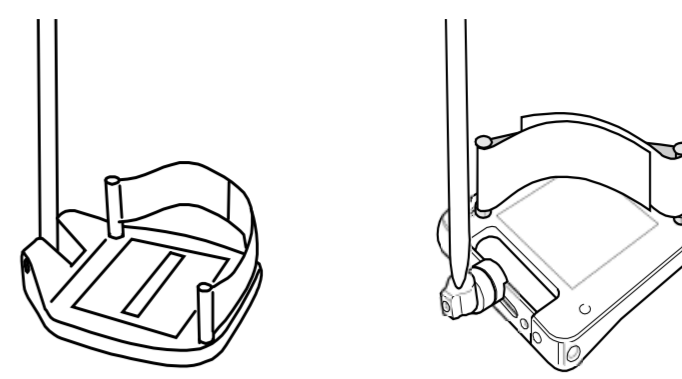
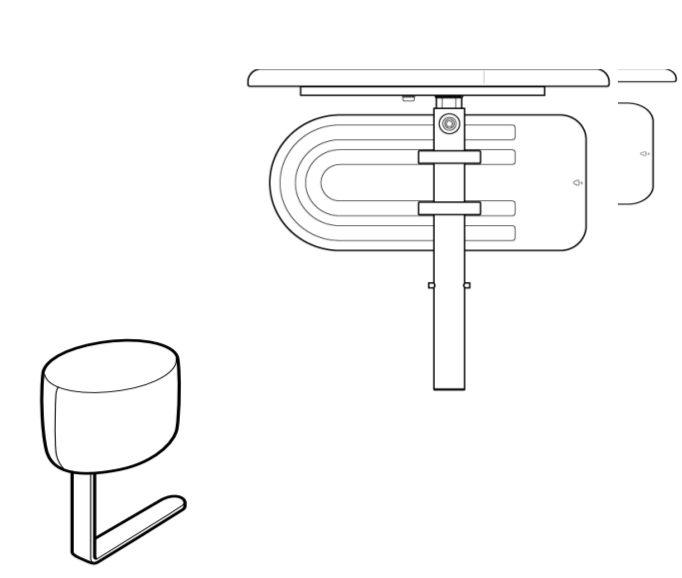
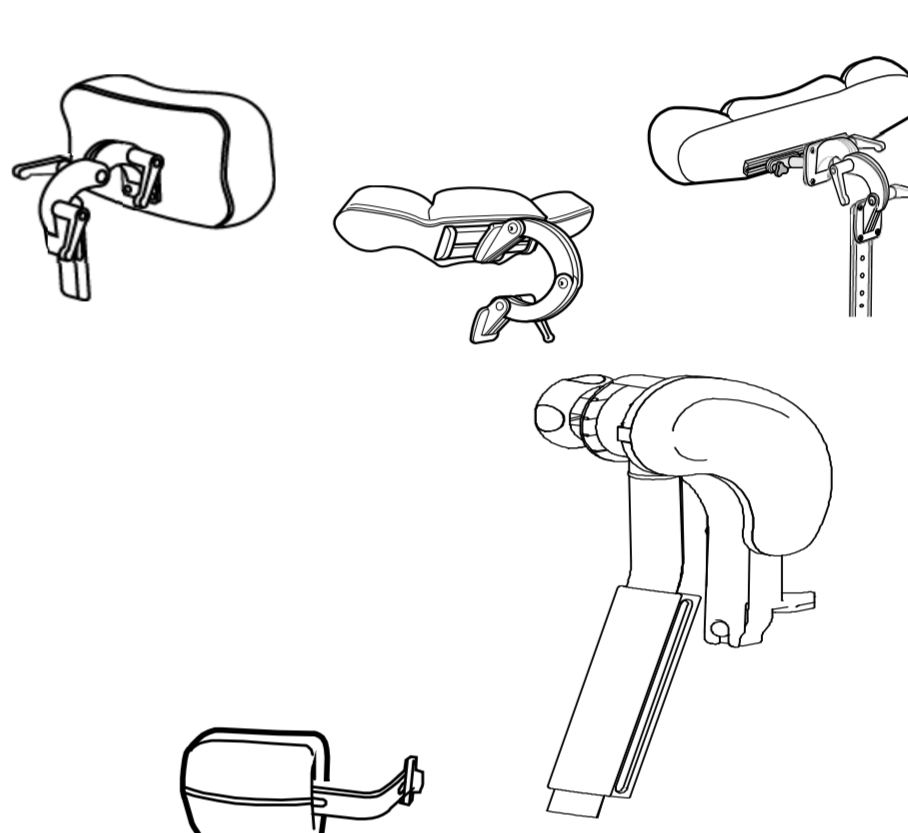
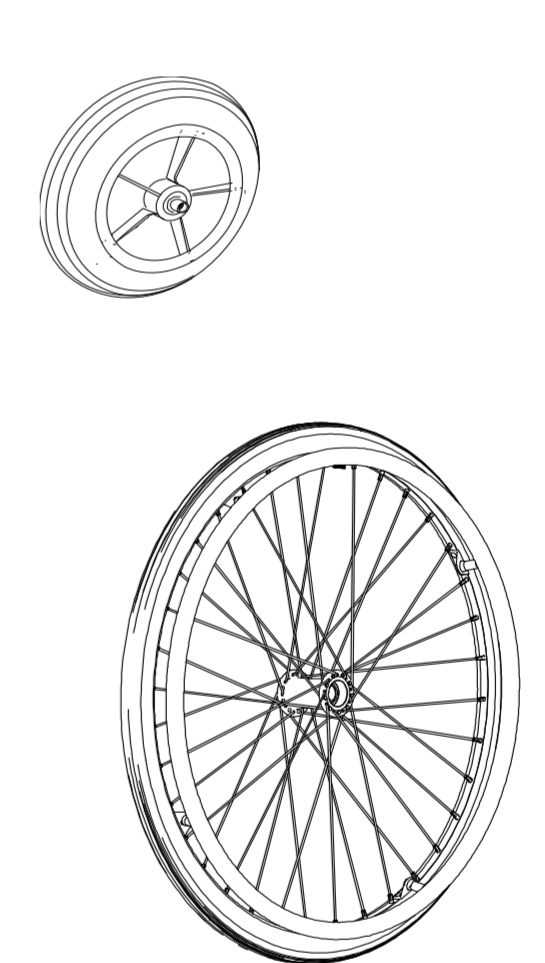
Customer Name :
Dealer :
Account No :
Address :
Tel No :
Delivery address :
Order No :
Order Qty :
Order Date :

OR DEALER STAMP

please make your selection with a cross in the box Standard feature Free of Charge (NC9999) non conformance with option 9999

→ Customer weight = 125 Kg			
Code	Description		<input type="checkbox"/>
BKA0001	Rea Clematis		<input checked="" type="checkbox"/>
BKA8000	Special		<input type="checkbox"/>
PROPULSION TYPE			
BKA0010	Standard wheel hub.		<input checked="" type="checkbox"/>
BKA0020	Equipped with hubbrakes.	0394	<input type="checkbox"/>
SEATING			
SEAT WIDTH			
BKA0030	390 mm (+ 20 mm with armrest spacer)		<input type="checkbox"/>
BKA0040	440 mm (+ 20 mm with armrest spacer)		<input type="checkbox"/>
BKA0050	490 mm (+ 20 mm with armrest spacer)		<input type="checkbox"/>
SEAT WIDTH EXTENSIO (PRE ADJUSTMENT)			
BKA0055	Width adjustability + 4 cm(2 cm on each side (France))	0285	<input type="checkbox"/>
BKA0056	Width adjustability + 10 cm(5 cm on each side (France))	0063;0285;0395;0400;0410	<input type="checkbox"/>
SEAT DEPTH			
BKA0060	420 - 480 mm (stepless)		<input checked="" type="checkbox"/>
SEAT HEIGHT			
BKA0063	400 mm (France)		<input type="checkbox"/>
BKA0070	450 mm		<input checked="" type="checkbox"/>
BACKREST TYPE			
BKA0080	Backrest Laguna 2	0117;0289	<input checked="" type="checkbox"/>
BKA0081	Backrest Laguna 2 tension adjustable (only for Italy)	0110;0115;0310;0315;0320;0325	<input type="checkbox"/>
BACKREST CUSHION			
BKA0090	Cushion Laguna 2		<input checked="" type="checkbox"/>
BKA0091	Cover Lateral (only for Italy)	(Will be removed per 01-04-2016)	<input type="checkbox"/>
BKA0092	Cover Lateral Low (49cm) (Only for Italy)	(Available per 01-04-2016)	<input type="checkbox"/>
BACKREST UPHOLSTERY TYPE			
BKA0101	Black Dartex TR26		<input checked="" type="checkbox"/>
PUSHHANDLES			
BKA0110	Height adjustable pushhandles	0305	<input checked="" type="checkbox"/>
BKA0115	Push bar angle adjustable	0305	<input type="checkbox"/>
BKA0117	Combined pushhandles with REA head/neckrest holder (only for Italy)		<input type="checkbox"/>
SEAT TILT AND BACKREST REGULATION TYPE			
BKA0120	Assistant operated gas piston backrest and seat tilt (included in the chassis)		<input checked="" type="checkbox"/>
TILT LOCK			
BKA0471	Tilt lock (Locking of pre-set angle)		<input checked="" type="checkbox"/>
SEAT CUSHIONS			
BKA0125	Cushion Flo-Tech Contour Visco (France)		<input type="checkbox"/>
BKA0130	Cushion Mistral 2		<input type="checkbox"/>
BKA0135	Cushion Flo-Shape		<input type="checkbox"/>
BKA0140	Without cushion		<input checked="" type="checkbox"/>
SEAT CUSHION UPHOLSTERY TYPE			
BKA0151	Black Dartex TR26		<input type="checkbox"/>
LEGRESTS / FOOTRESTS			
LEGRESTS / HANGERS LH TYPE			
BKA0160	Hanger angle adjustable - alu 2008, incl calf support, LH		<input checked="" type="checkbox"/>
BKA0170	Without hanger, LH		<input type="checkbox"/>
LEGRESTS / HANGERS RH TYPE			
BKA0180	Hanger angle adjustable - alu 2008, incl calf support, RH		<input checked="" type="checkbox"/>
BKA0190	Without hanger, RH		<input type="checkbox"/>
FOOTRESTS LH TYPE			
BKA0200	Footrest lower part, fixed with long tube and heel strap, LH.		<input type="checkbox"/>
BKA0201	Footrest lower part, fixed with short tube and heel strap, LH.		<input type="checkbox"/>
BKA0210	Footrest lower part, depth and angle adjustable with long tube and heel strap, LH		<input checked="" type="checkbox"/>



BKA0211	Footrest lower part, depth and angle adjustable with short tube and heel strap, LH		<input type="checkbox"/>	
FOOTRESTS RH TYPE				
BKA0220	Footrest lower part, fixed with long tube and heel strap, RH.		<input type="checkbox"/>	
BKA0221	Footrest lower part, fixed with short tube and heel strap, RH.		<input type="checkbox"/>	
BKA0230	Footrest lower part, depth and angle adjustable with long tube and heel strap, RH		<input checked="" type="checkbox"/>	
BKA0231	Footrest lower part, depth and angle adjustable with short tube and heel strap, RH		<input type="checkbox"/>	
ARMRESTS (Height adjustable, autolock attachment included)				
ARMREST LH TYPE				
BKA0240	Standard Pad, LH (fixed in depth)		<input checked="" type="checkbox"/>	
BKA0243	Padded, LH (France)	0469;0470	<input type="checkbox"/>	
BKA0245	Armrest hemiplegic,LH (France)	0469;0470;0480;0490	<input type="checkbox"/>	
BKA0250	Without armrest, LH	0469;0470;0480;0490	<input type="checkbox"/>	
ARMREST RH TYPE				
BKA0260	Standard Pad, LH (fixed in depth)		<input checked="" type="checkbox"/>	
BKA0263	Padded, LH (France)	0469;0470	<input type="checkbox"/>	
BKA0265	Armrest hemiplegic,RH (France)	0469;0470;0480;0490	<input type="checkbox"/>	
BKA0270	Without armrest, RH	0469;0470;0480;0490	<input type="checkbox"/>	
SEATING OPTIONS				
BKA0275	Side support cover (France)		<input type="checkbox"/>	
BKA0280	Abduction cushion		<input type="checkbox"/>	
BKA0285	Armrest spacer, adds +10 mm per side		<input type="checkbox"/>	
BACKREST OPTIONS TYPE				
BKA0289	Support strap for backrest tension adjustable (only for Italy)		<input type="checkbox"/>	
BKA0290	Headrest adjustable with handwheel	0300	<input type="checkbox"/>	
BKA0291	Cover for headrest		<input type="checkbox"/>	
BKA0295	Headrest with cheek support, sidewise adjustable	0300	<input type="checkbox"/>	
BKA0300	Neckrest fixed		<input checked="" type="checkbox"/>	
BKA0301	Cover for neckrest		<input type="checkbox"/>	
BKA0305	Universal Head/Neckrest holder		<input type="checkbox"/>	
BKA0310	Trunk support small, LH		<input type="checkbox"/>	
BKA0315	Trunk support swingaway (LH)		<input type="checkbox"/>	
BKA0320	Trunk support small, RH		<input type="checkbox"/>	
BKA0325	Trunk support swingaway (RH)		<input type="checkbox"/>	
LEGREST / FOOTREST OPTIONS TYPE				
BKA0330	Kneepad, LH		<input type="checkbox"/>	
BKA0340	Kneepad, RH		<input type="checkbox"/>	
CHASSIS				
CHASSIS COLOURS				
BKA0360	Pearl Grey		<input checked="" type="checkbox"/>	
CASTOR ATTACHMENT TYPE				
BKA0370	Castor attachment fixed (included in the chassis).		<input checked="" type="checkbox"/>	
FRONT CASTORS				
BKA0375	200x75 medium hard (France)		<input type="checkbox"/>	
BKA0380	200x45 medium hard		<input checked="" type="checkbox"/>	
REAR WHEEL ATTACHMENT TYPE				
BKA0390	Rearwheel attachment QR (included in the chassis).		<input checked="" type="checkbox"/>	
REAR WHEELS SIZE/TYPE				
BKA0394	12" wheel	0420	<input type="checkbox"/>	
BKA0395	22" wheel (France)	0415	<input type="checkbox"/>	
BKA0400	24" Standard rear wheel		<input checked="" type="checkbox"/>	
BKA0410	24" Basic rear wheels		<input type="checkbox"/>	
TYRE TYPE				
BKA0415	Tyres pneumatic profiled		<input type="checkbox"/>	
BKA0420	Tyres solid		<input checked="" type="checkbox"/>	
HANDRIM TYPE				
BKA0430	Handrim aluminium		<input checked="" type="checkbox"/>	
WHEEL OPTIONS				
SPOKEGUARD				
BKA0445	Frost		<input type="checkbox"/>	
SAFETY				
BKA0447	Pelvic belt		<input type="checkbox"/>	
BKA0450	Anti-tip device (included in the chassis).		<input checked="" type="checkbox"/>	
BKA0455	Reflector kit		<input type="checkbox"/>	
BRAKE TYPE				
BKA0460	Standard brakes (included in the chassis).		<input type="checkbox"/>	
ACCESSORIES				
BKA0469	Table tray incl mounting kit, with Elbow Pads	0490	<input type="checkbox"/>	
BKA0470	Table tray incl mounting kit	0490	<input type="checkbox"/>	
BKA0476	Table tray cushion		<input type="checkbox"/>	
BKA0472	Mounting bracket Scalamobil		<input type="checkbox"/>	
BKA0474	Mounting bracket Viamobil		<input type="checkbox"/>	
BKA0475	Drip stand		<input type="checkbox"/>	
BKA0480	Locking device for table tray	0490	<input type="checkbox"/>	
BKA0490	Mounting kit table (if table ordered separately)		<input type="checkbox"/>	
SPECIAL				
FREIGHT & PRICE				
PACKAGING				
FREIGHT PRICE				

TOTAL PRICE		
-------------	--	--

