

Spare Parts Catalogue

Version: 2015/01/06a NO



Invacare® **Roze**™



Yes, you can.®

General Information

For any order of spare parts the following information is required:

- Product type*
- Product name & model*
- Serial Number*
- Part-Number*
- Part-Description*

Exploded view drawings and code numbers are not contractual and subject to modification, in relation to Invacare® continuous product improvement policy to meet end users needs.

The reproduction or use of this work, or of any substantial part of this work, in any form or by any electronic, mechanical or other means, including photocopying, scanning and recording, and in any information storage and retrieval system, including electronic transmission, is forbidden without the prior written permission of Invacare® International Sarl.



Yes, you can.[®]

TABLE OF CONTENTS

Understell

(Base assembly with electrical leg)	5
(Moteur actuator for electrical leg)	6

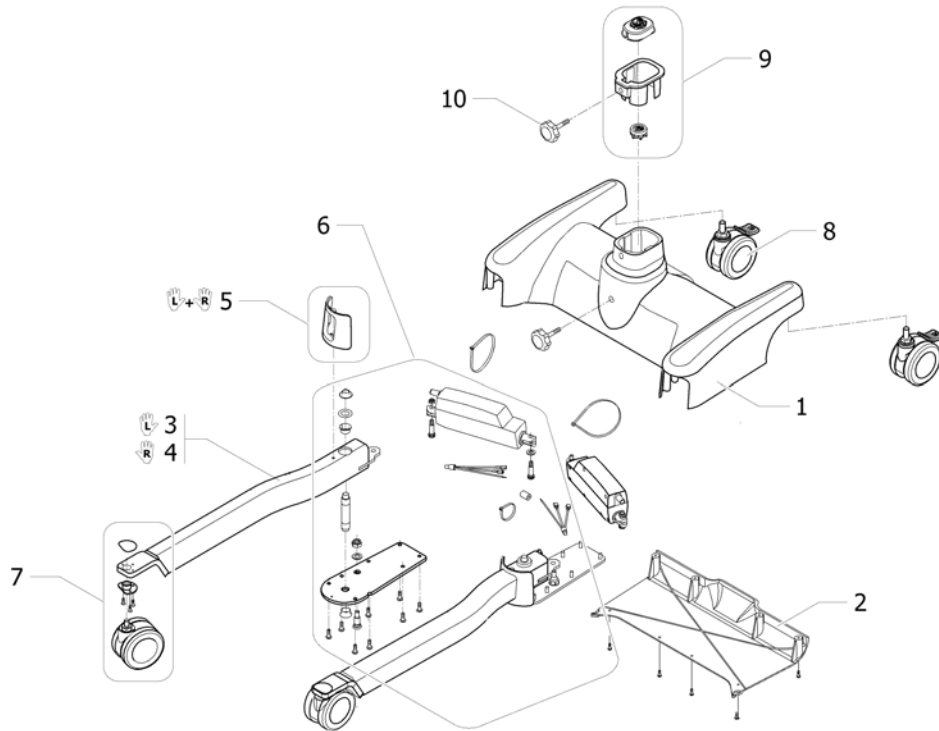
Elektronikk

(Control units)	7
-----------------------	---

Mast

(Mast assembly)	8
(Knee pad and footplate assembly)	9
(Motor mast and lifting arm)	10

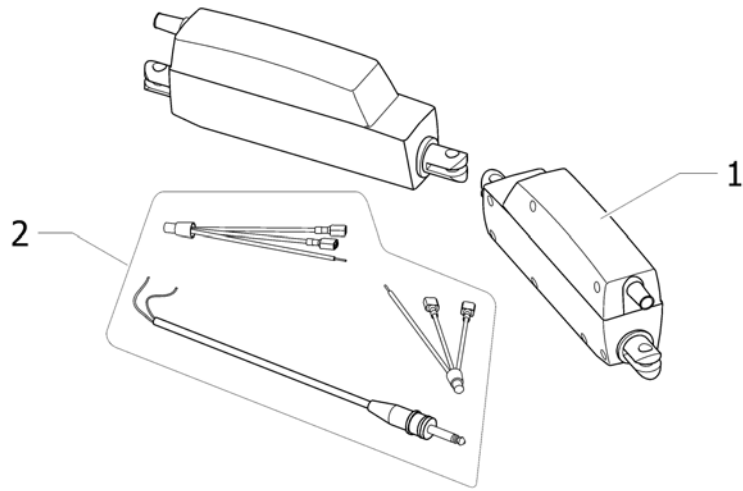
(Base assembly with electrical leg)



1595-1545561-.....

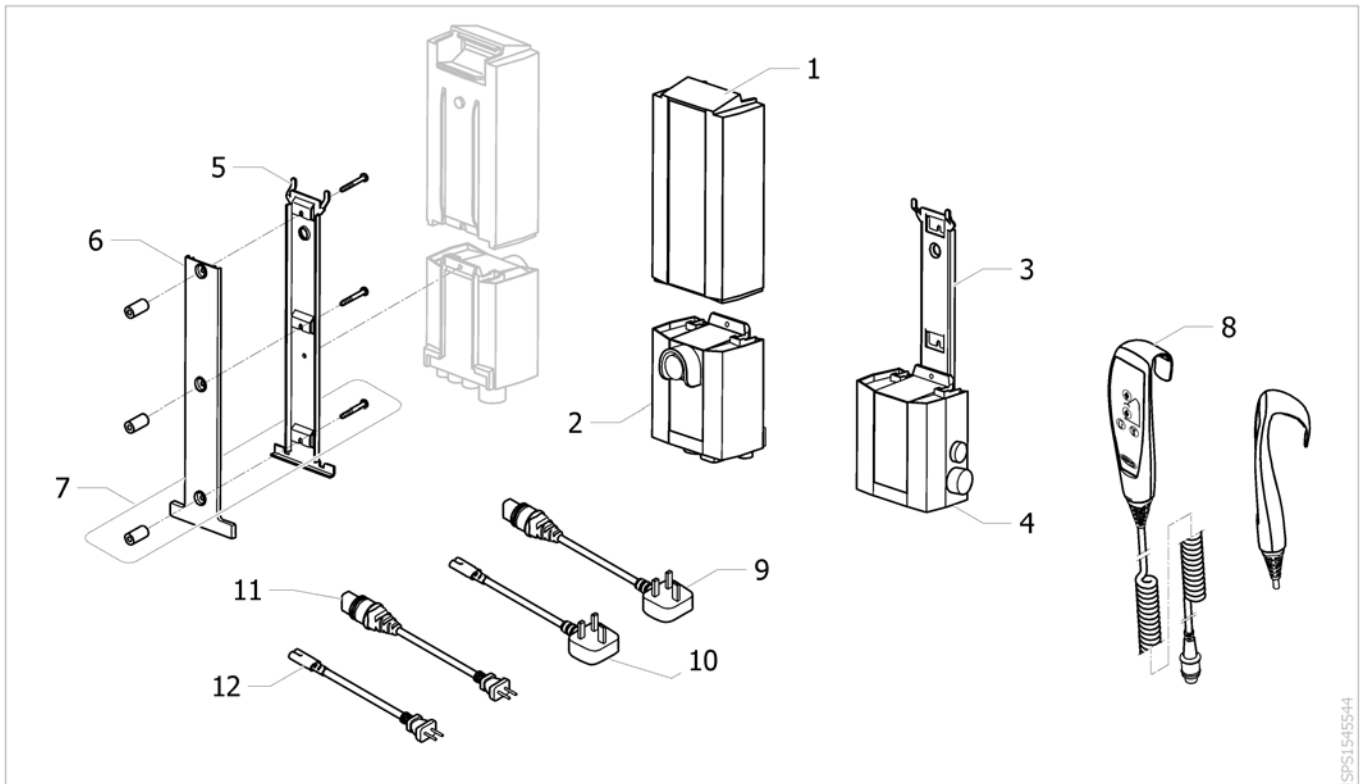
1	1171524	BASE UNDERSTELL ROZE <i>Replace 1148593</i>	1
2	1148607	(Cover base plastic blue)	1
3	1146887	(Leg assembly full body Roze white Lh)	1
4	1146888	(Leg Assembly full fody Roze white Rh)	1
5	1161591	(Kit toe protection (Pair))	1
6	1169844	(Kit base hardware (Pair))	1
7	1161582	FORHJUL KPL M FESTE PAR ROZE	1
8	1148605	BAKHJUL KPL PAR ROZE	2
9	1171481	MONT KIT MAST BASE ROZE <i>Replace 1161588</i>	1
10	1148489	(Knob M8)	2

(Moteur actuator for electrical leg)



!SPS1545512

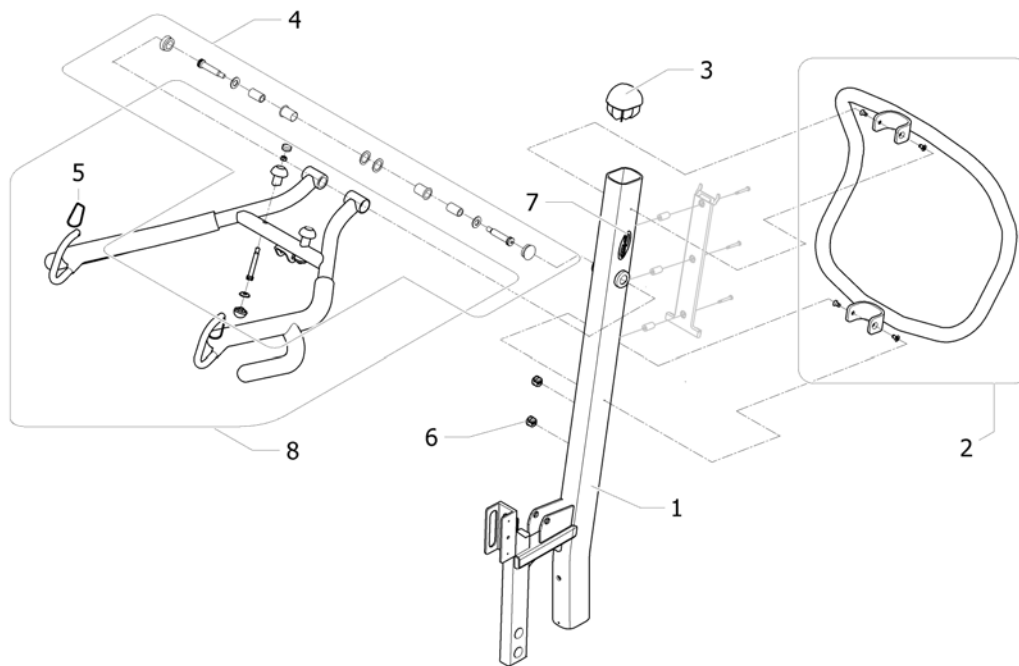
1	1171363	(Motor LINAK LA12)	2
2	1171360	(Kit Controller Wire) <i>Replace 1161583</i>	1



SPS1545544

1	SP1514573-7035	BATTERIBOKS M BATT/ROZE BIRDIE PLUS	1
2	SP1528279-7035	STYRING ROZE ROZE	1
3	SP1078306	(Bracket, Wall Mount Charger - Electric Only)	1
4	SP1152391	LADER ROZE VEGGMONTERT ROZE	1
5	1078284	FESTEBRAKETT FOR LADER 1078274 MONT.LØFT RELIAN	1
6	1155348	(Cover battery bracket)	1
7	1161590	(Kit battery bracket hardware)	1
8	SP1155872	HÅNDKONTROLL ROZE ROZE	1
9	1079134	(Cord UK electric only (for charger))	1
10	P90047	(Mains Lead 3 Pin U.K.)	1
11	1155873	SKJØTESTYKKE STRØMLEDNING	1
12	1079135	(Cord EU electric only (for controller))	1

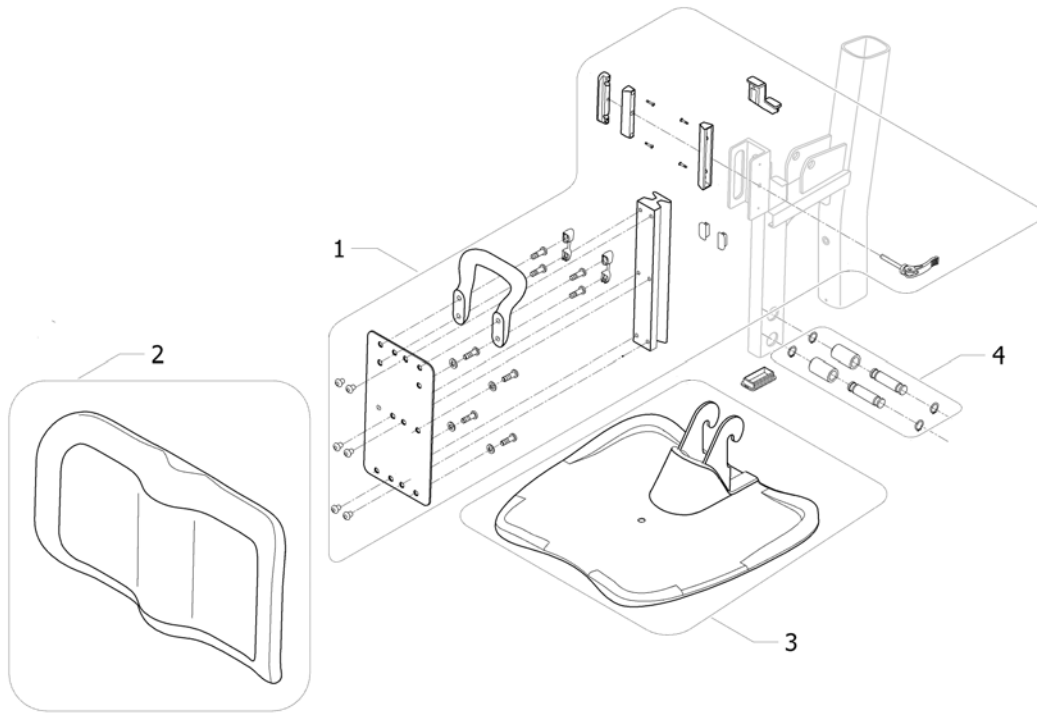
(Mast assembly)



ISPS-1545564-.....

1	1148556	(WLDMT mast stand-up Roze)	1
2	1161580	(Kit push handle blue)	1
3	1148545	(Plug cover)	1
4	1161597	FESTE FOR LØFTEARM ROZE ROZE	1
5	1169846	(Kit cap hook sling)	2
6	1161587	(Package wire lock)	2
7	1156226	(Kit label and decal Roze EU)	1
8	1148492	(Lifting arm assembly stand up white)	1

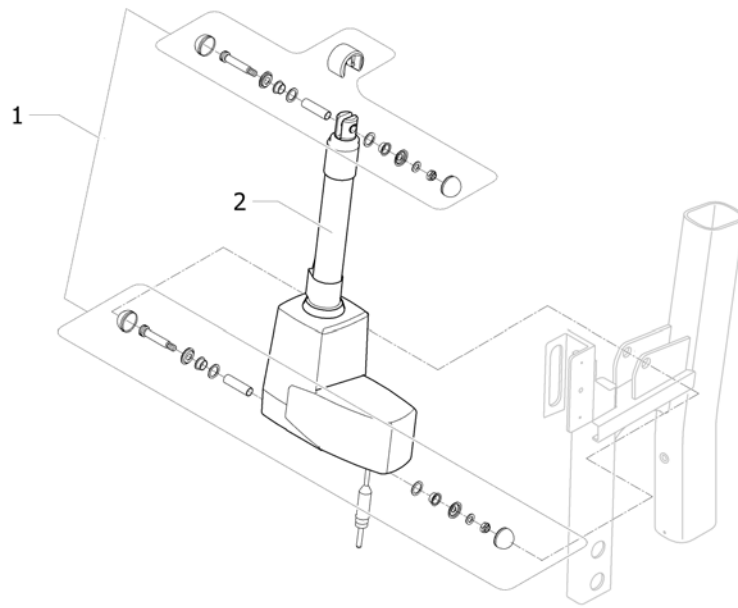
(Knee pad and footplate assembly)



ISPS-1545565-.....

1	1161594	KIT KNOPOLSTER ROZE ROZE	1
2	1148516	(Knee pad assembly blue)	1
3	1148520	Footplate Assy W/ Cover Blue	1
4	1161595	(Kit footplate hanger hardware)	1

(Motor mast and lifting arm)



ISPS1545566-----

1	1161598	(Kit mast actuator mounting hardware)	1
2	1148550	(Motor 340528-00 LINAK LA34(250))	1



Yes, you can.®



Belgium & Luxemburg:

Invacare nv, Autobaan 22, B-8210 Loppem
Tel: (32) (0)50 83 10 10, Fax: (32) (0)50 83 10 11
belgium@invacare.com / www.invacare.be

Denmark:

Invacare A/S, Sdr. Ringvej 37, DK-2605 Brøndby
Tel: (45) (0)36 90 00 00, Fax: (45) (0)36 90 00 01
denmark@invacare.com / www.invacare.dk

Deutschland:

Invacare Aquatec GmbH, Alemannenstraße 10, D-88316 Isny
Tel: (49) (0)75 62 7 00 0, Fax: (49) (0)75 62 7 00 66
info@invacare-aquatec.com / www.invacare-aquatec.de

European Distributor Organisation:

Invacare, Kleiststraße 49, D-32457 Porta Westfalica
Tel: (49) (0)57 31 754 540, Fax: (49) (0)57 31 754 541
edo@invacare.com / www.invacare.eu.com

España:

Invacare SA, c/Areny s/n, Polígon Industrial de Celrà, E-17460 Celrà (Girona)
Tel: (34) (0)972 49 32 00, Fax: (34) (0)972 49 32 20
contactsp@invacare.com / www.invacare.es

France:

Invacare Poirier SAS, Route de St Roch, F-37230 Fondettes
Tel: (33) (0)2 47 62 64 66, Fax: (33) (0)2 47 42 12 24
contactfr@invacare.com / www.invacare.fr

Ireland:

Invacare Ireland Ltd, Unit 5 Seatown Business Campus, Seatown Road, Swords, County Dublin - Ireland
Tel: (353) 1 810 7084, Fax: (353) 1 810 7085
ireland@invacare.com / www.invacare.ie

Italia:

Invacare Mecc San s.r.l., Via dei Pini 62, I-36016 Thiene (VI)
Tel: (39) 0445 38 00 59, Fax: (39) 0445 38 00 34
italia@invacare.com / www.invacare.it

Nederland:

Invacare BV, Celsiusstraat 46, NL-6716 BZ Ede
Tel: (31) (0)318 695 757, Fax: (31) (0)318 695 758
nederland@invacare.com, csede@invacare.com / www.invacare.nl

Norge:

Invacare AS, Grensesvingen 9, Postboks 6230, Etterstad, N-0603 Oslo
Tel: (47) (0)22 57 95 00, Fax: (47) (0)22 57 95 01
norway@invacare.com, island@invacare.com / www.invacare.no

Österreich:

Invacare Austria GmbH, Herzog Odilostrasse 101, A-5310 Mondsee
Tel: (43) 6232 5535 0, Fax: (43) 6232 5535 4
info-austria@invacare.com / www.invacare.at

Portugal:

Invacare Lda, Rua Estrada Velha, 949, P-4465-784 Leça do Balio
Tel: (351) (0)225 1059 46/47, Fax: (351) (0)225 1057 39
portugal@invacare.com / www.invacare.pt

Sverige & Suomi:

Invacare AB, Fagerstagatan 9, S-163 91 Spånåsa
Tel: (46) (0)8 761 70 90, Fax: (46) (0)8 761 81 08
sweden@invacare.com, finland@invacare.com / www.invacare.se

Switzerland:

Invacare AG, Benkenstrasse 260, CH-4108 Witterswil
Tel: (41) (0)61 487 70 80, Fax: (41) (0)61 487 70 81
switzerland@invacare.com / www.invacare.ch

United Kingdom:

Invacare Limited, Pencoed Technology Park, Pencoed, Bridgend CF35 5AQ
Switchboard Tel: (44) (0)1656 776200, Fax: (44) (0)1656 776201
Customer services Tel: (44) (0)1656 776222, Fax: (44) (0)1656 776220
uk@invacare.com / www.invacare.co.uk