

# *Spare Parts Catalogue*

---

Version: 2016/09/06b NO



*Rea*® **Dahlia**



**Yes, you can.<sup>®</sup>**

## **General Information**

*For any order of spare parts the following information is required:*

- Product type*
- Product name & model*
- Serial Number*
- Part-Number*
- Part-Description*

*Exploded view drawings and code numbers are not contractual and subject to modification, in relation to Invacare<sup>®</sup> continuous product improvement policy to meet end users needs.*

*The reproduction or use of this work, or of any substantial part of this work, in any form or by any electronic, mechanical or other means, including photocopying, scanning and recording, and in any information storage and retrieval system, including electronic transmission, is forbidden without the prior written permission of Invacare<sup>®</sup> International Sarl.*



Yes, you can.®

## TABLE OF CONTENTS

---

### (Chassis)

(Seating plate) . . . . .	7
(Backrest + seat tilt, assistant man.) . . . . .	8
(Backrest + seat tilt, electric (2016.03=>)) . . . . .	9
(User operated tilt (30° tilt only)) . . . . .	10
(Rearwheel attachment) . . . . .	11
(Castor attachment) . . . . .	12
(Castor attachment, high) . . . . .	13

### (Seat)

(Seat cushion, Flo-shape) . . . . .	14
(Seat cushion, Vicair multifunctional) . . . . .	15
(Seat cushion, Mistral2) . . . . .	16
(Seat cushion, Flo-tech contour Visco (only for France)) . . . . .	17
(Seat cushion, Flo-tech Xtra) . . . . .	18
(Incontinents cover) . . . . .	19

### (Backrest)

(Backrest Flex3, fixed) . . . . .	20
(Backrest Flex3, tension adj.) . . . . .	21
(Backrest Laguna, fixed) . . . . .	22
(Backrest Laguna, tension adj. (30° tilt only)) . . . . .	23
(Backrest Matrix, straight) . . . . .	25
(Backrest Matrix, bended) . . . . .	27
(Backrest width extension) . . . . .	29
(Cushions, Flex3 backrest) . . . . .	30
(Push handles) . . . . .	32
(Pushbar adj. Azalea) . . . . .	33
(Curvature cushion) . . . . .	34

### (Legrests)

(Legrest attachment) . . . . .	35
(Legrest AA, ALU2008) . . . . .	36
(Legrest 80° Alu2003, Fixed) . . . . .	37
(Legrest 90° Alu2003, Fixed) . . . . .	38
(Amputee legrest) . . . . .	39
(Heel strap) . . . . .	40
(Footplate cover) . . . . .	41
(Calf strap, padded) . . . . .	42
(Central footrest) . . . . .	43

### (Footrests)

(Footrest one piece) . . . . .	44
(Footrest, fixed, Alu2003) . . . . .	45
(Footrest, AA, Alu2003) . . . . .	46
(Extender, footplate) . . . . .	48
(Heel strap) . . . . .	40



Yes, you can.®

## TABLE OF CONTENTS

---

### (Siderests)

(Armrest, ducktail) .....	49
(Armrest, Rio) .....	50
(Armrest, wide) .....	51
(Armrest, hemi) .....	52
(Pad, siderest) .....	53
(Armrest attachment) .....	54

### (Front wheels)

(Castor wheels) .....	55
-----------------------	----

### (Rear wheels)

(Wheels 16") .....	56
(Wheels 24" Basic) .....	57
(Wheels 24" Basic DB) .....	58
(Wheel 24-22-20") .....	59
DRIVRING RUSTFRI 24 HJUL KPL .....	61
(Wheel 24-22" DB) .....	62
DRIVRING RUSTFRI 24 HJUL KPL .....	61

### (Brakes)

(Brake, user manoeuvred 20-24" wheel) .....	64
(Brake, user manoeuvred 16" wheel) .....	65
(Drumbrake, assistant manoeuvred) .....	66

### (Safety Options)

(Pelvic belt) .....	67
(Anti-tip device) .....	68
(Anti-tip device, extra low) .....	69
(Positioning belt attachment) .....	70
(Transportation brackets) .....	71
(Attachment, X-harness, Flex3) .....	72

### (Seating Options)

(Headrest) .....	73
(Neckrest) .....	74
(Cheek support) .....	75
(Pommel) .....	76
(Trunk supports, Flex3 backrest) .....	77
(Trunk supports, Flex3 tension adj. backrest) .....	78
(Trunk supports, Laguna2 backrest) .....	79
(Universal, Head-/Neckrest pole) .....	80

### (Propulsion options)

(One arm drive) .....	81
-----------------------	----

### (Others Options & Accessories)



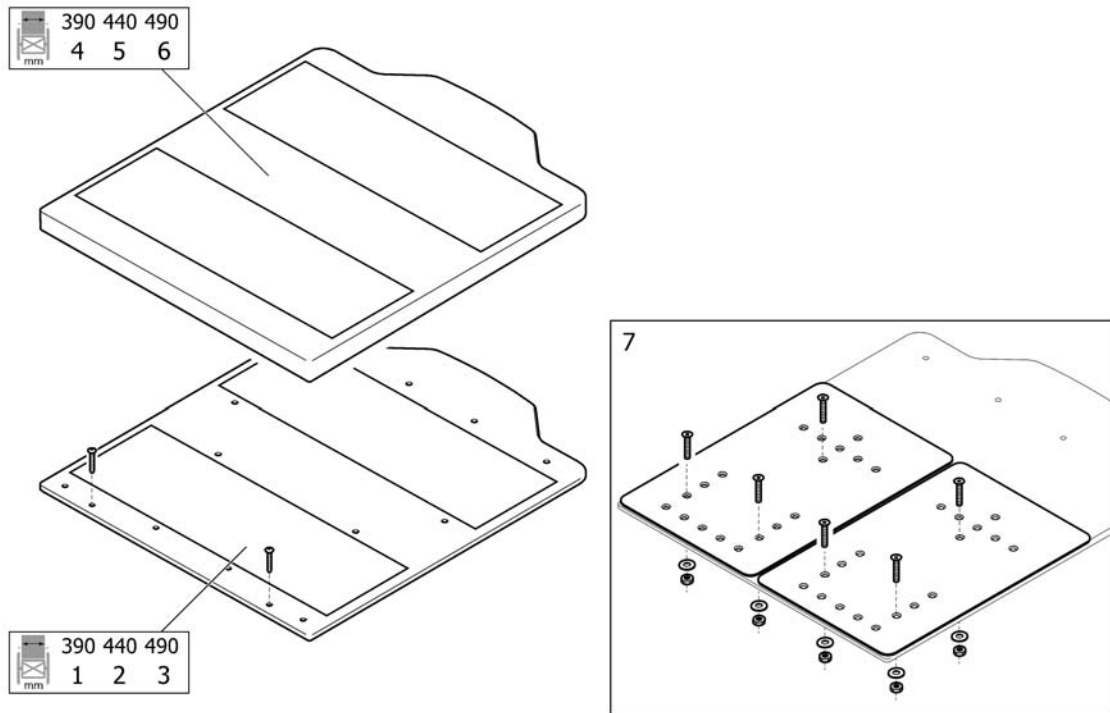
**Yes, you can.<sup>®</sup>**

## **TABLE OF CONTENTS**

---

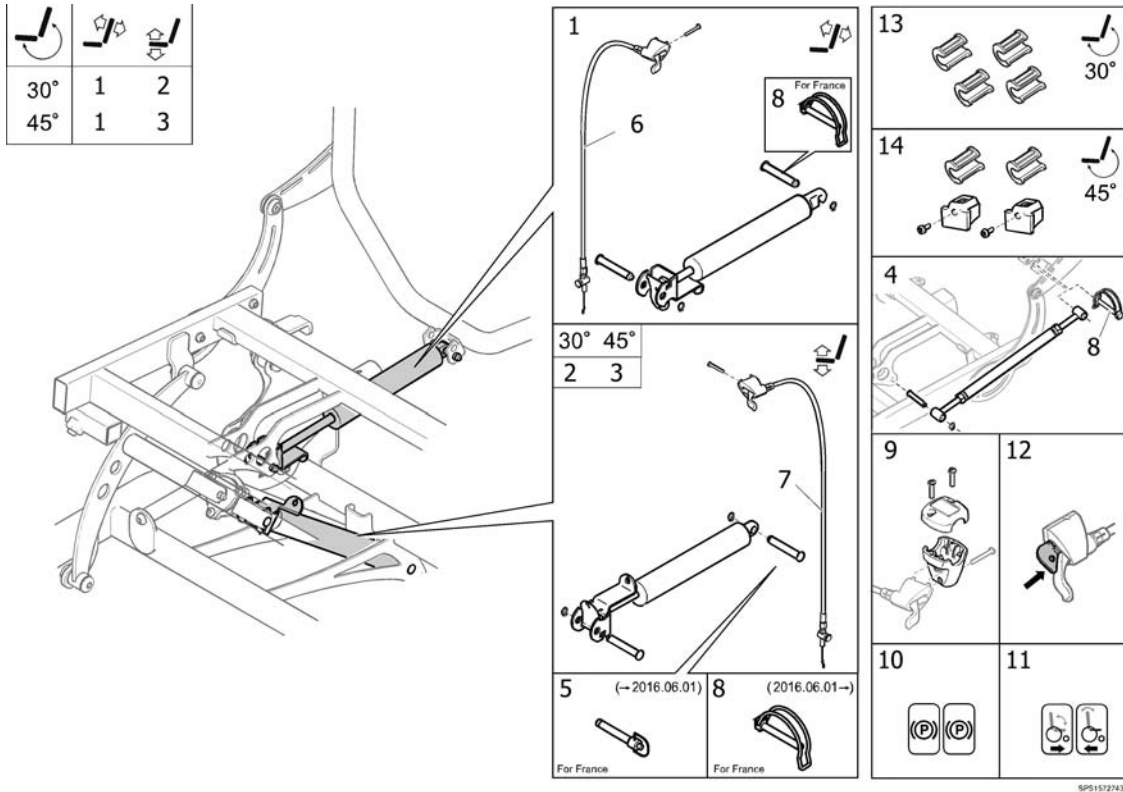
(Table tray) .....	82
(Table tray, Azalea Max) .....	83
(Table tray with armpad) .....	84
(Table tray "Swingaway") .....	85
(Tilt scale) .....	86
(Pump) .....	87
(Step tube) .....	88
(Colour kit) .....	89
(Crutch holder, Flex3 backrest) .....	90
(Accessory tray) .....	91
(Dripstand) .....	92
(Wash sealing kit) .....	93
(Clinic kit) .....	94





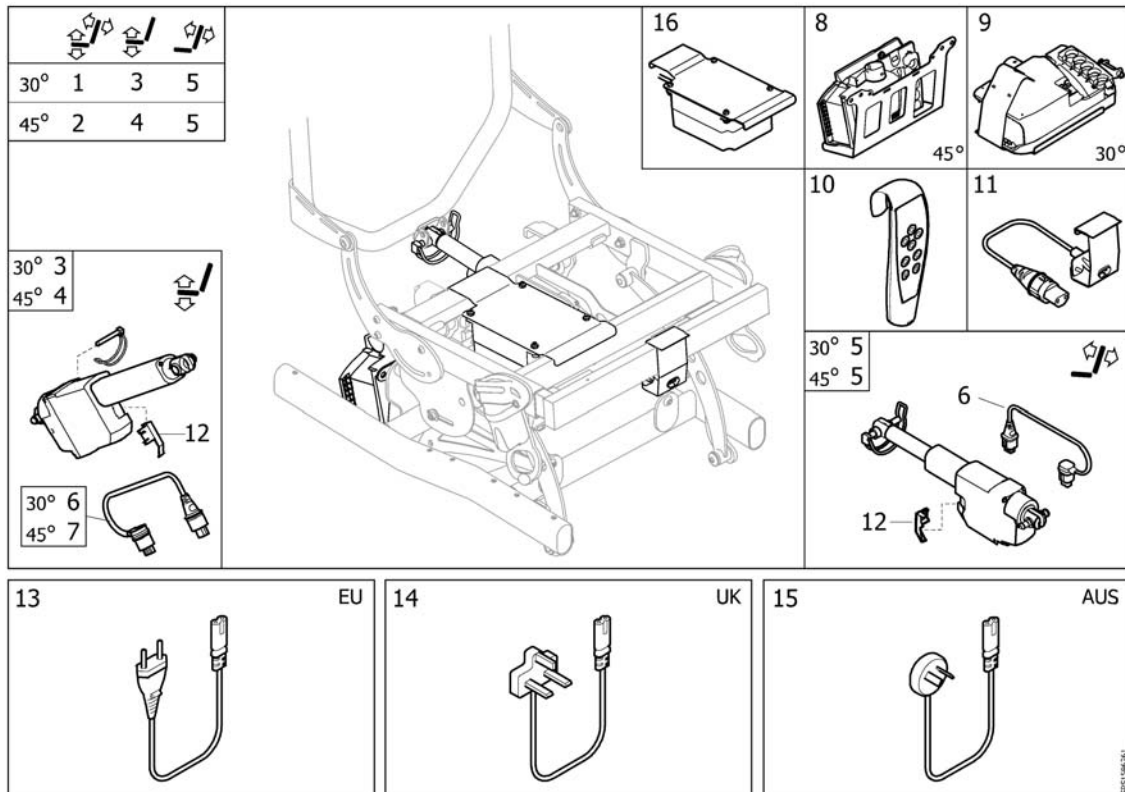
1	SP1572770	(Seat plate 390 cpl.)	1
2	SP1572771	(Seat plate 440 cpl.)	1
3	SP1572772	(Seat plate 490 cpl.)	1
4	SP1570896	(Seat plate 390 cpl., high ext.)	1
5	SP1572855	(Seat plate 440 cpl., high ext.)	1
6	SP1572856	(Seat plate 490 cpl., high ext.)	1
7	SP1574225	(Kit, width extension, seat plate)	1

**(Backrest + seat tilt, assistant man.)**



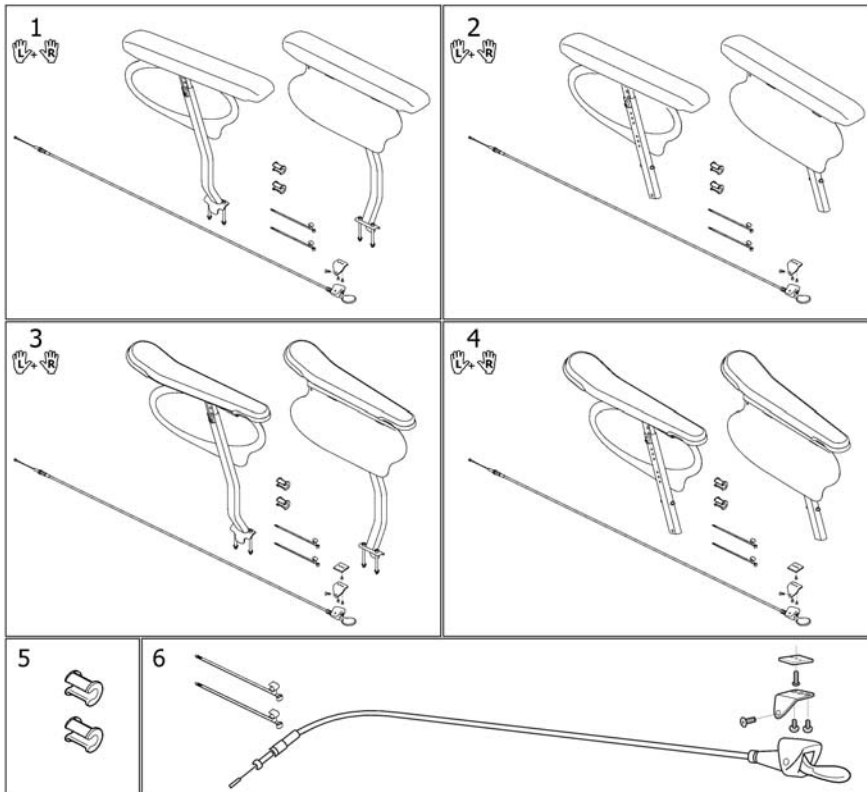
1	SP1572743	(Backrest tilt, assistant manoevered)	1
2	SP1570897	(Seat tilt 30°, assistant manoevered)	1
3	SP1572778	(Seat tilt 45°, assistant manoevered)	1
4	SP1570962	(Kit, fixed backrest)	1
5	SP1575574	(QR LOCKING PIN)	1
6	1536328	WIRE RYGGJUSTL=119 MED SKRUE AZALEA	1
7	1536327	WIRE SETE TILT HØYRE L=136,3 MM M/SKRUE	1
8	1439936	LÅSSPLINT 8X60 BORA	1
9	1527287	TILTHUS KPL AZALEA	1
10	1536764	ETIKETTER, KABLER, BROMS	1
11	1536373	ETIKETTER TILT AZALEA	1
12	1527435	(LOCKING DEVICE, MANOUVERING KIT)	1
13	SP1570981	(TILT STOP DAHLIA 30°)	1
14	SP1570982	(TILT BLOCK DAHLIA 45° PAIR)	1



**(Backrest + seat tilt, electric (2016.03=>))**

1	SP1585233	(Kit, power tilt 30° (powercable not included), (2016.03=>)) <i>Only for Dahlia after 2016.03.01!</i>	1
2	SP1585542	(Kit, power tilt 45° (powercable not included)) <i>Only for Dahlia after 2016.03.01!</i>	1
3	SP1585190	(Kit, seat tilt 30°, cpl)	1
4	SP1585191	(Kit, seat tilt 45°, cpl)	1
5	SP1585129	(Kit, backrest tilt, cpl)	1
6	SP1578477	(Power cable, Actuator LA23)	1
7	SP1590287	(Power cable, inverted polarity, Actuator LA23)	1
8	SP1585192	(Control box CB6, CPL 45°)	1
9	SP1585209	(Control box CB6, CPL 30°)	1
10	SP1582717	(Handcontrol HB30, electric tilt)	1
11	SP1582977	(Plug cpl)	1
12	SP1583029	(Fixation, cable, Actuator LA23)	1
13	SP1578459	(Power Cable EU)	1
14	SP1578460	(Power Cable UK)	1
15	SP1578461	(Power Cable AUSTRALIA)	1
16	SP1585193	(Battery cpl)	1

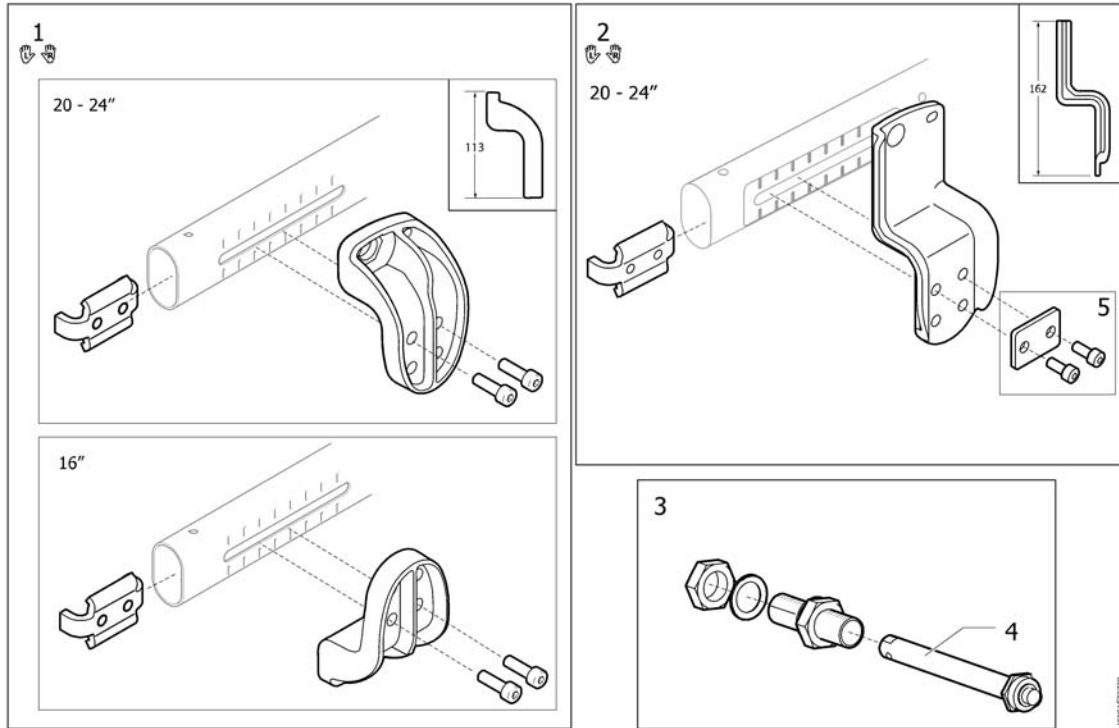
### (User operated tilt (30° tilt only))



09/11/2016

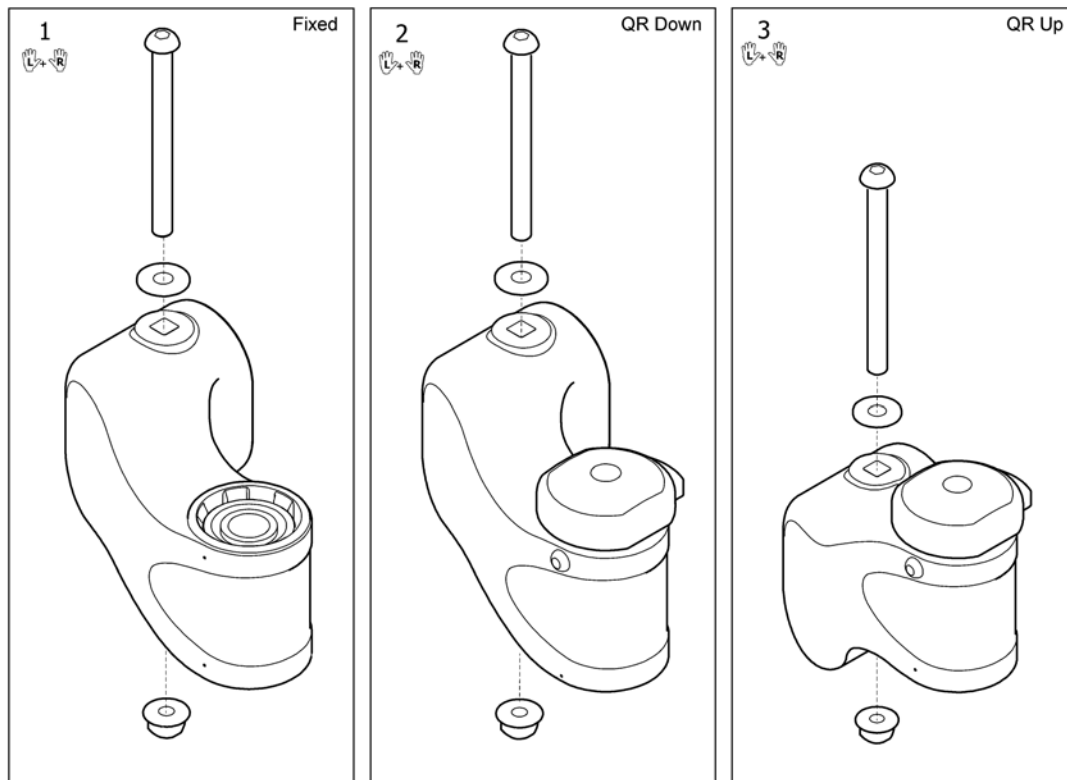
1	SP1587506	(USER OP. TILT, RIO, CPL)	1
2	SP1587504	(USER OP. TILT, DETACHABLE RIO, CPL)	1
3	SP1587505	(USER OP. TILT, DUCKTAIL, CPL)	1
4	SP1587503	(USER OP. TILT, DETACHABLE DUCKTAIL, CPL)	1
5	SP1601611	(TILT BLOCKER, PAIR)	1
6	SP1573754	(CABLEKIT, USER OP. TILT)	1

# (Rearwheel attachment)



1	SP1587620	(REARWHEEL ATTACHM., LOW, PAIR)	1
2	SP1572728	(Rearwheel attachm., high, pair)	1
3	5750166	MUTTERSTYKKE KPL QR STK AZALEA	1
4	5750165	DRIVHJULSAKSEL QR STK SPINNER+REA+XLT ETC	1

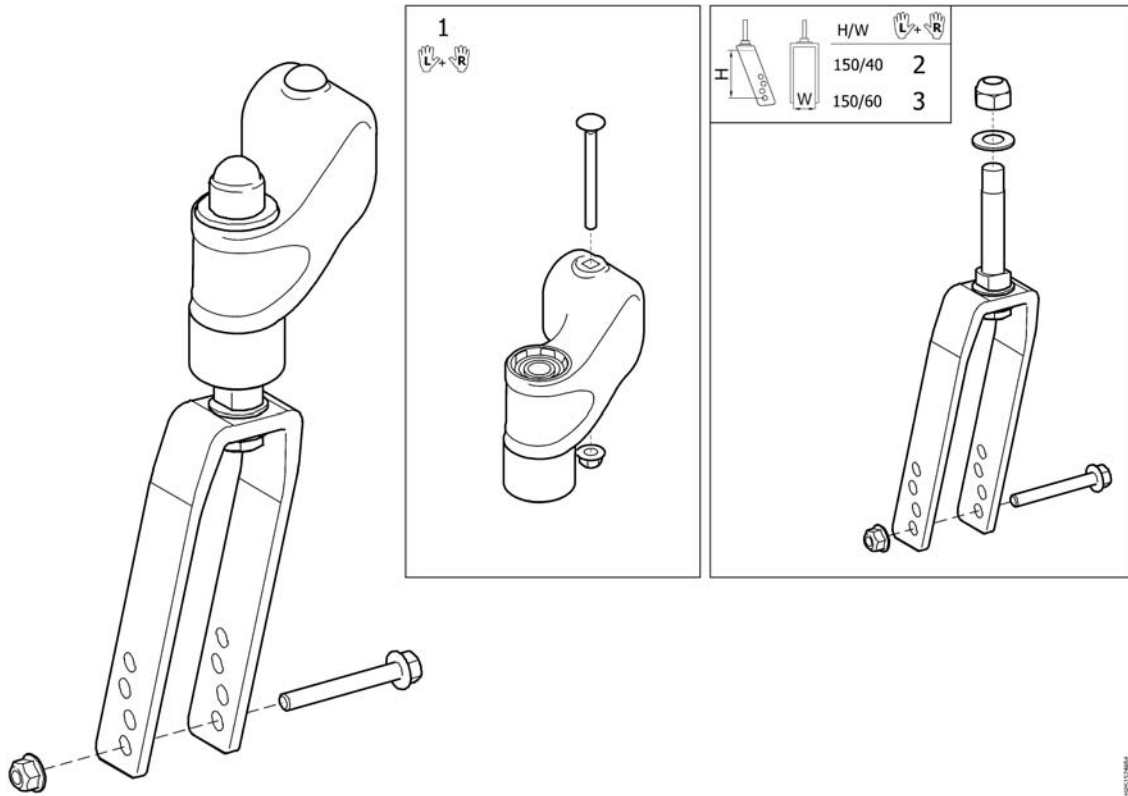
## (Castor attachment)



---

1	SP1571101	(CASTOR ATTACHMENT, PAIR)	1
2	SP1572001	(CASTOR ATTACHMENT QR, PAIR, DOWNWARD)	1
3	SP1580879	(CASTOR ATTACHMENT QR, PAIR, UPWARD)	1

# (Castor attachment, high)

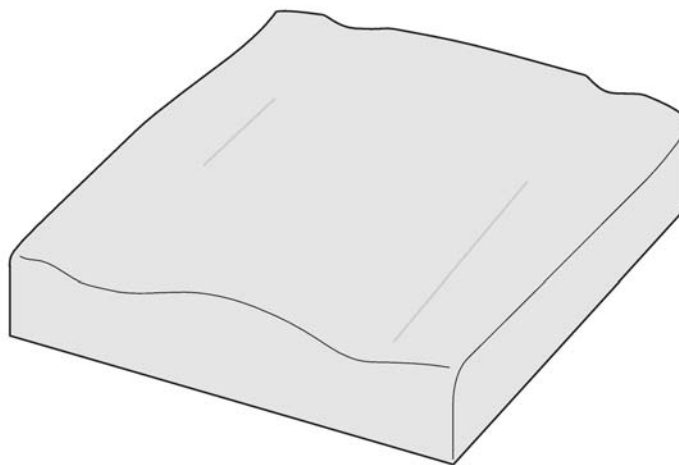


---

1	1574864	(CASTOR HOUSING HIGH, PAIR)	1
2	1508011	SVINGHJULSGAFFEL KPL PAR SMAL	1
3	1508010	SVINGHJULSGAFFEL KPL PAR BRED	1

**(Seat cushion, Flo-shape)**

SW (mm)	TR26 TR35 TR36		
	<b>Azalea</b>		
340	1	2	3
390	4	5	6
390 +50	4	5	6
390 +100	7	8	9
440	7	8	9
440 +50	7	8	9
440 +100	10	11	12
490	10	11	12
490 +50	10	11	12
490 +100	10	11	12
<b>Bellis</b>			
Small 410	4	5	
Medium 460	7	8	
Large 510	10	11	
<b>Clematis</b>			
390	1	2	
440	4	5	
490	7	8	
<b>Dahlia</b>			
390	4	5	6
390 +50	4	5	6
390 +100	7	8	9
440	7	8	9
440 +50	7	8	9
440 +100	10	11	12
490	10	11	12
490 +50	10	11	12
490 +100	10	11	12




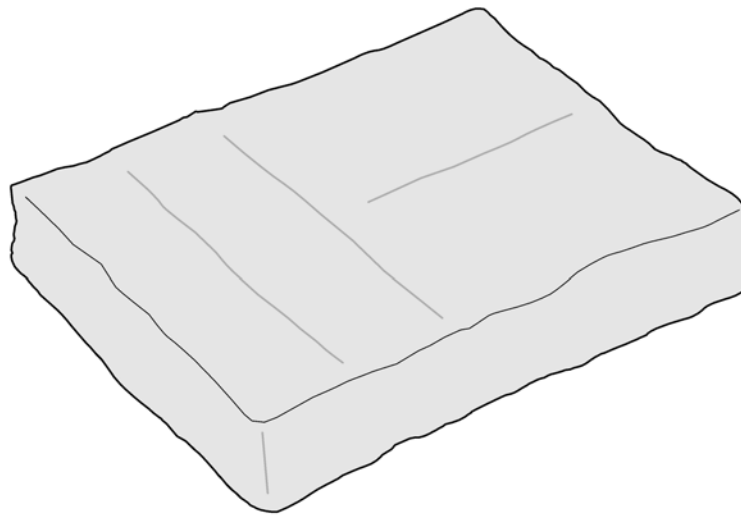
	Färg	Colour	Farbe	Couleur
TR26	dartex svart	dartex black	dartex schwarz	dartex noir
TR35	plysch svart	plysch black	plüsch schwarz	velours noir
TR36	spacer svart	spacer black	spacer schwarz	spacer noir

© 2016/09/06b

1	1509920-TR26	PUTE SETE FLO-SHAPE 330X 450 TR23	1
2	1509920-TR35	PUTE SETE FLO-SHAPE 330X 450 TR35	1
3	SP1509920-TR36	(SEAT CUSHION, FLOSHAPE, 355X450, SPACER BLACK)	1
4	1508055-TR26	PUTE SETE FLO-SHAPE 405X 535 TR26	1
5	1508055-TR35	PUTE SETE FLO-SHAPE 405X 535 TR35	1
6	SP1508055-TR36	(SEAT CUSHION, FLOSHAPE, 405X535, SPACER BLACK)	1
7	1508057-TR26	PUTE SETE FLO-SHAPE 455X 535 TR26	1
8	1508057-TR35	PUTE SETE FLO-SHAPE 455X 535 TR35	1
9	SP1508057-TR36	(SEAT CUSHION, FLOSHAPE, 455X535, SPACER BLACK)	1
10	1508059-TR26	PUTE SETE FLO-SHAPE 505X 535 TR26	1
11	1508059-TR35	PUTE SETE FLO-SHAPE 505X 535 TR35	1
12	SP1508059-TR36	(SEAT CUSHION, FLOSHAPE, 505X535, SPACER BLACK)	1

### (Seat cushion, Vicair multifunctional)

 SW (mm)		
<b>Azalea</b>		
390		1
390 +50		2
390 +100		3
440		2
440 +50		3
440 +100		4
490		3
490 +50		4
490 +100		4
<b>Bellis</b>		
Small 410		2
Medium 460		3
Large 510		4
<b>Dahlia</b>		
390		1
390 +50		2
390 +100		3
440		2
440 +50		3
440 +100		4
490		3
490 +50		4
490 +100		4



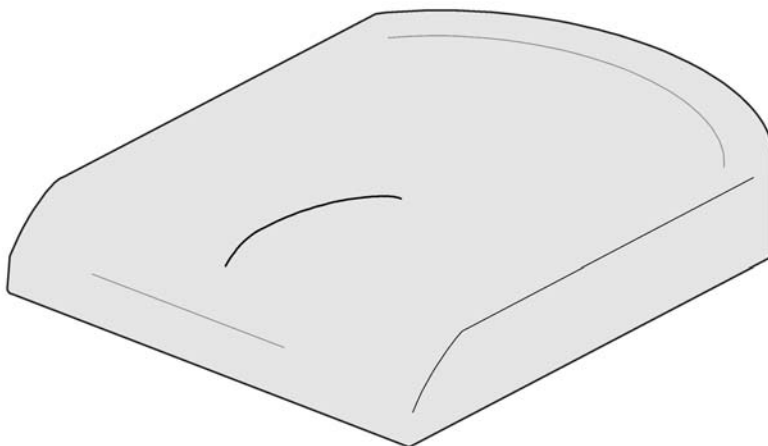
951497347

---

1	1497347	PUTE SETE SB37 SD52 H11 MULTI	1
2	1497348	PUTE SETE SB40 SD52 H11 MULTI	1
3	1497349	PUTE SETE SB45 SD52 H11 MULTI	1
4	1497387	PUTE SETE SETE MULTI sb 50 sd 52	1

## (Seat cushion, Mistral2)

SW (mm)	TR26	TR23
<b>Azalea</b>		
390	1	
440	2	
490	3	
<b>Dahlia</b>		
390	1	
390 +50	2	
390 +100	3	
440	2	
440 +50	3	
440 +100	4	
490	3	
490 +50	4	
490 +100	4	
<b>Clematis</b>		
390	1	5
440	2	6
490	3	7



	Färg	Colour	Farbe	Couleur
TR26	dartex svart	dartex black	Dartex schwarz	dartex noir
--2012-04-01				
TR23	dartex grå	dartex grey	Dartex grau	dartex gris

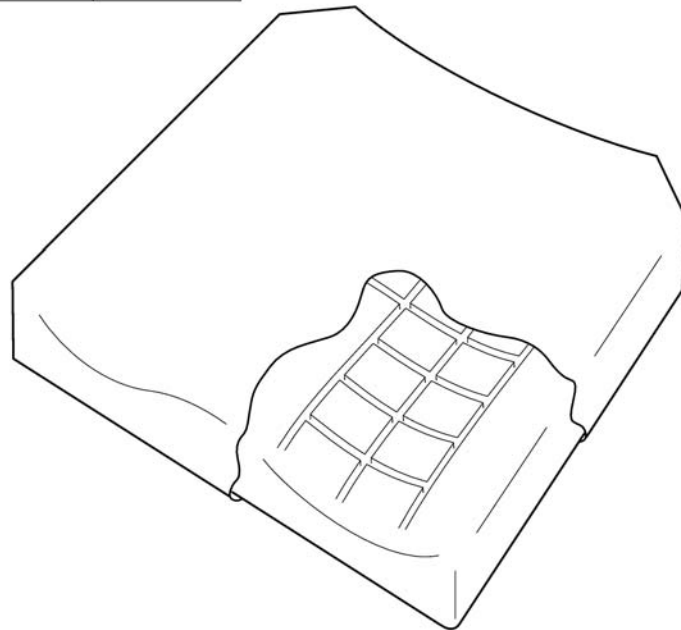
6491151565

1	SP1435856-TR26	(SEAT CUSHION 365X490,MISTRAL 2-LAYER TR26)	1
2	SP1435857-TR26	(SEAT CUSHION 415X490,MISTRAL 2-LAYER TR26)	1
3	SP1435858-TR26	(SEAT CUSHION 465X490,MISTRAL 2-LAYER TR26)	1
4	1435859-TR26	(Seat cushion Mistral 515X490 mm, Dartex Black)	1
5	1435856	SETEPUTE 365/490 MISTRAL 2LAGS TR23	1
6	1435857	SETEPUTE 415/490 MISTRAL 2LAGS TR23	1
7	1435858	SETEPUTE 465/490 MISTRAL 2LAGS TR23	1



### (Seat cushion, Flo-tech contour Visco (only for France))

SW (cm)	39			44			49		
	+5	+10		+5	+10		+5	+10	
Azalea	2	2	3	3	3	4	4	4	
Cleamtis	1			2			3		



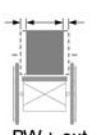
SPS1501122

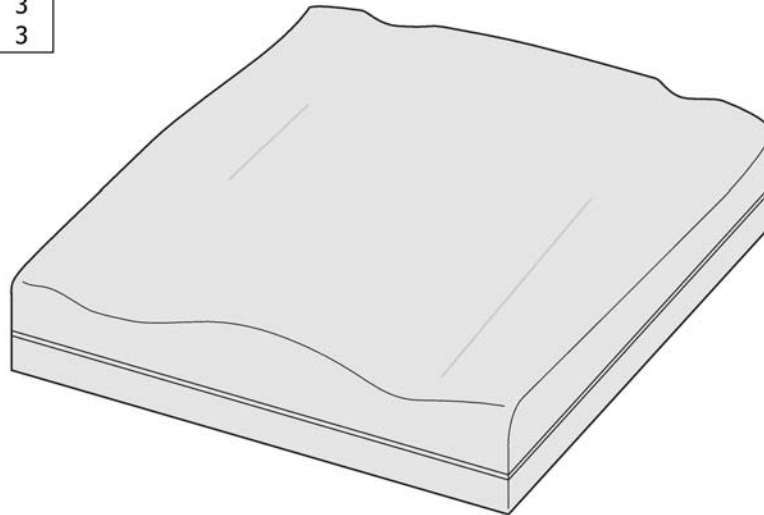
---

1	1501120	(CUSHION FLO-TECH 355X535 CONTOUR MEDIUM VISCO W.C)	1
2	1501121	(CUSHION FLO-TECH 405X535 CONTOUR FIRM VISCO W.COV)	1
3	1501122	(CUSHION FLO-TECH 455X535 CONTOUR FIRM VISCO W.COV)	1
4	1501123	(CUSHION FLO-TECH 505X535 CONTOUR V.FIRM VISCO W.C)	1

(Rea® Dahlia) | (Seat)

## (Seat cushion, Flo-tech Xtra)

 BW + ext.	390	1
	390 +50	1
	390 +100	2
	440	2
	440 +50	2
	440 +100	3
	490	3
	490 +50	3
	490 +100	3

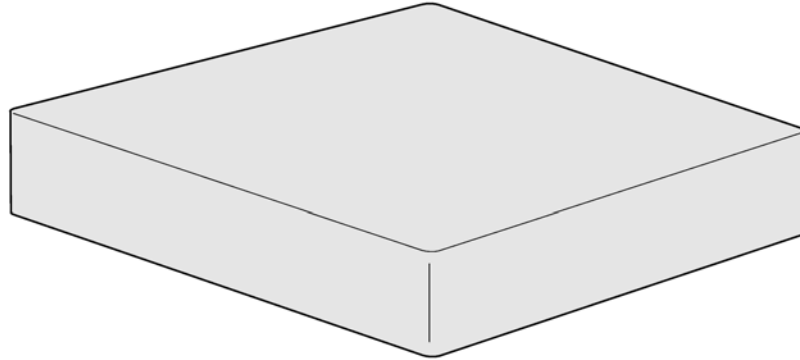


SP154225

---

1	1542249	(SEAT CUSHION 405X535, FLO-TECH XTRA)	1
2	1542250	(SEAT CUSHION 455X535, FLO-TECH XTRA)	1
3	1542251	(SEAT CUSHION 505X535, FLO-TECH XTRA)	1

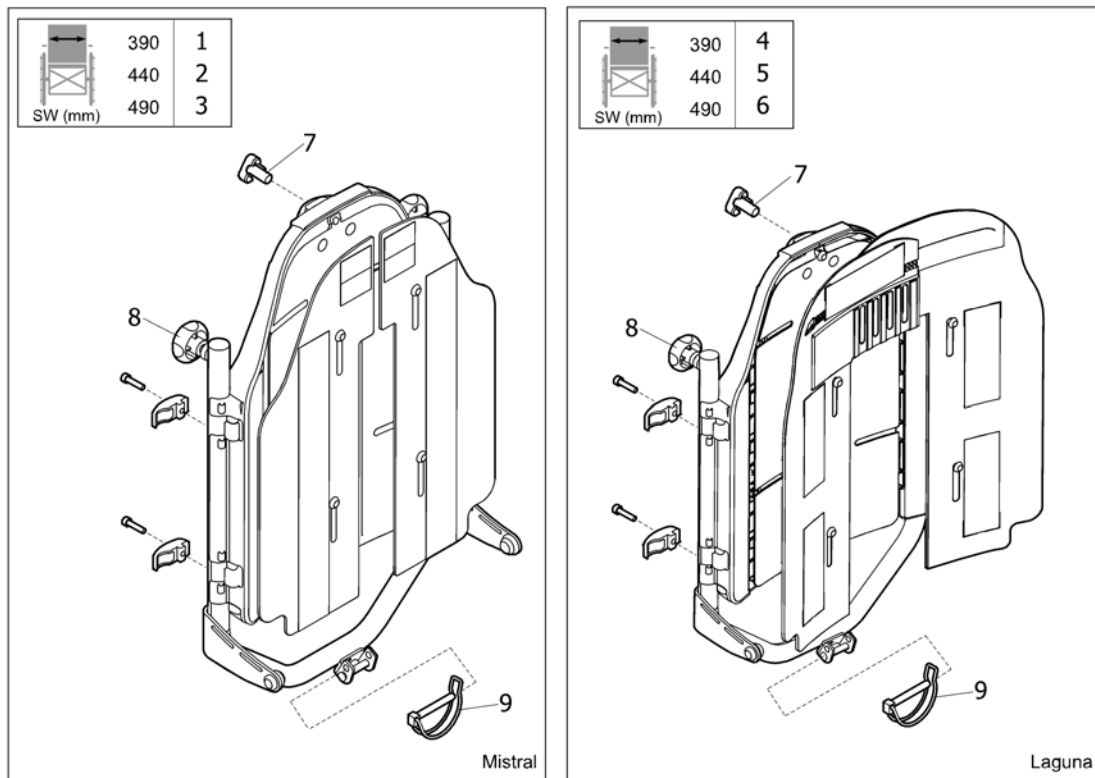
SW (mm)		
<b>Azalea</b>		
340		1
390		2
390 +50		3
390 +100		4
440		3
440 +50		4
440 +100		4
490		4
490 +50		4
490 +100		4
<b>Bellis</b>		
Small	410	2
Medium	460	3
Large	510	4
<b>Dahlia</b>		
390		2
390 +50		3
390 +100		4
440		3
440 +50		4
440 +100		4
490		4
490 +50		4
490 +100		4



5253078

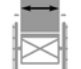
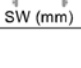

1	1510636	INKO TREKK SB 34 REA	1
2	5253078-TR26	INKOTREKK SETE 39 DARTEX	1
3	5253079-TR26	INKOTREKK SETE 44 DARTEX	1
4	5253080-TR26	INKOTREKK SETE 49 DARTEX	1
5	5253617-TR26	INKO TREKK SETE 54 DARTE	1
6	1526617	INKONTINENSOVERDRAG 550X635, TR34	1
7	1526616	INKONTINENSOVERDRAG 610X635, TR34	1

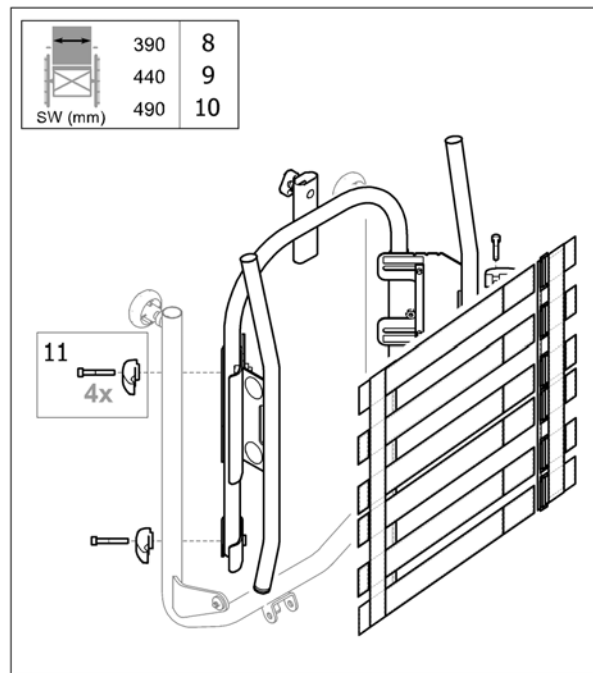
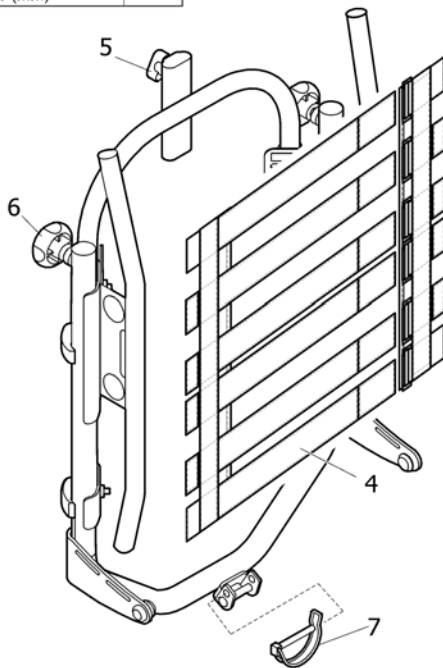
**(Backrest Flex3, fixed)**



1	SP1572919	(BACKREST 390 CPL, FLEX3, MISTRAL)	1
2	SP1572920	(BACKREST 440 CPL, FLEX3, MISTRAL)	1
3	SP1572937	(BACKREST 490 CPL, FLEX3, MISTRAL)	1
4	SP1573298	(BACKREST 390 CPL, FLEX3, LAGUNA)	1
5	SP1573299	(BACKREST 440 CPL, FLEX3, LAGUNA)	1
6	SP1573300	(BACKREST 490 CPL, FLEX3, LAGUNA)	1
7	1497411	RATT M12 LANG KPL NAKKE/HODESTØTTE	1
8	SP1518478	RATT, M10, PAR AZALEA	1
9	1439936	LÄSSPLINT 8X60 BORA	1

**(Backrest Flex3, tension adj.)**

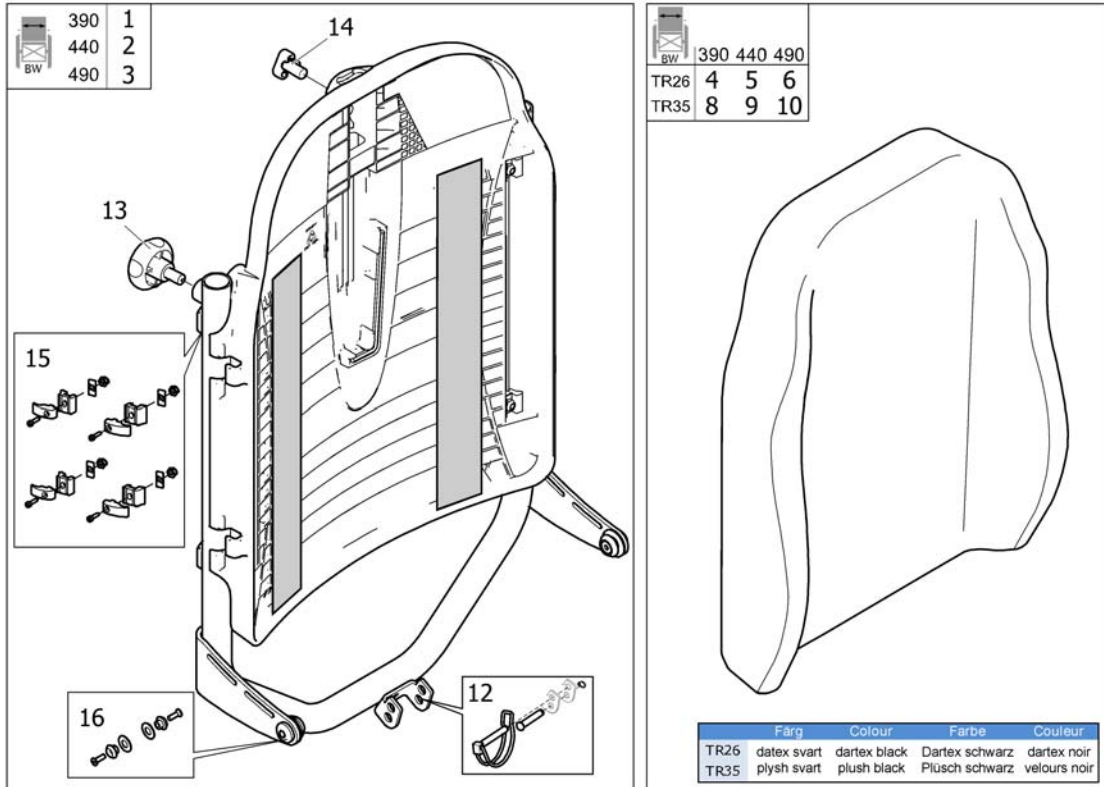
	390	1
	440	2
	490	3



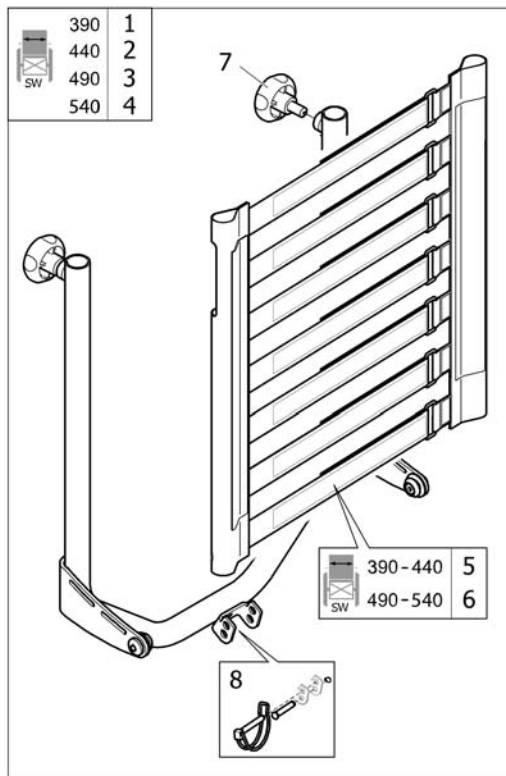
15P51579638

1	SP1572938	(BACKREST 390 TENSION ADJ., CPL, FLEX3)	1
2	SP1572943	(BACKREST 440 TENSION ADJ., CPL, FLEX3)	1
3	SP1572944	(BACKREST 490 TENSION ADJ., CPL, FLEX3)	1
4	1549281	RYGGTREKK BORRELÅS STILL BAR RYGG FLEX3 AZALEA	1
5	1444175	RATT M12 STORM4 MAX / REA	1
6	SP1518478	RATT, M10, PAR AZALEA	1
7	1439936	LÅSSPLINT 8X60 BORA	1
8	SP1579675	RAMME STILLBAR RYGG SB39 AZALEA	1
9	SP1579692	RAMME STILLBAR RYGG SB44 AZALEA	1
10	SP1579693	RAMME STILLBAR RYGG SB49 AZALEA	1
11	SP1580557	(Mounting Hardware (Kit of 4))	1

# (Backrest Laguna, fixed)



1	SP1517199	(BACKREST 390 LAGUNA CPL.)	1
2	SP15171980	(BACKREST 440 LAGUNA CPL.)	1
3	SP15171981	(BACKREST 490 LAGUNA CPL.)	1
4	SP1427118-TR26	RYGGPUTE SB39 LAGUNA 372 X550 TR26	1
5	SP1427119-TR26	RYGGPUTE LAGUNA 402X550 TR26	1
6	SP1427120-TR26	RYGGPUTE LAGUNA 452X550 SORT	1
7	SP1427121-TR26	RYGGPUTE S LAGUNA 492X550 TR26	1
8	SP1427118-TR35	RYGGPUTE LAGUNA TR35 372 X550	1
9	SP1427119-TR35	RYGGPUTE LAGUNA 402X550 TR35	1
10	SP1427120-TR35	RYGGPUTE LAGUNA 452X550 TR35	1
11	SP1427121-TR35	RYGGPUTE LAGUNA 492X550 TR35	1
12	SP1574755	(LOCKING PIN KIT)	1
13	SP1518478	RATT, M10, PAR AZALEA	1
14	1497411	RATT M12 LANG KPL NAKKE/HODESTØTTE	1
15	1518649	(FITTING KIT, LAGUNA2)	1
16	SP1579941	(Screw kit, backrest stay)	1

**(Backrest Laguna, tension adj. (30° tilt only))**

BW + ext.	Laguna			Lateral		Mistral 2	
	TR26	TR35	TR36	TR26	TR36	TR26	TR35
390	9	13	17	21	25	29	33
440	10	14	18	22	26	30	34
490	11	15	19	23	27	31	35
540	12	16	20	24	28	32	36

SP1571982

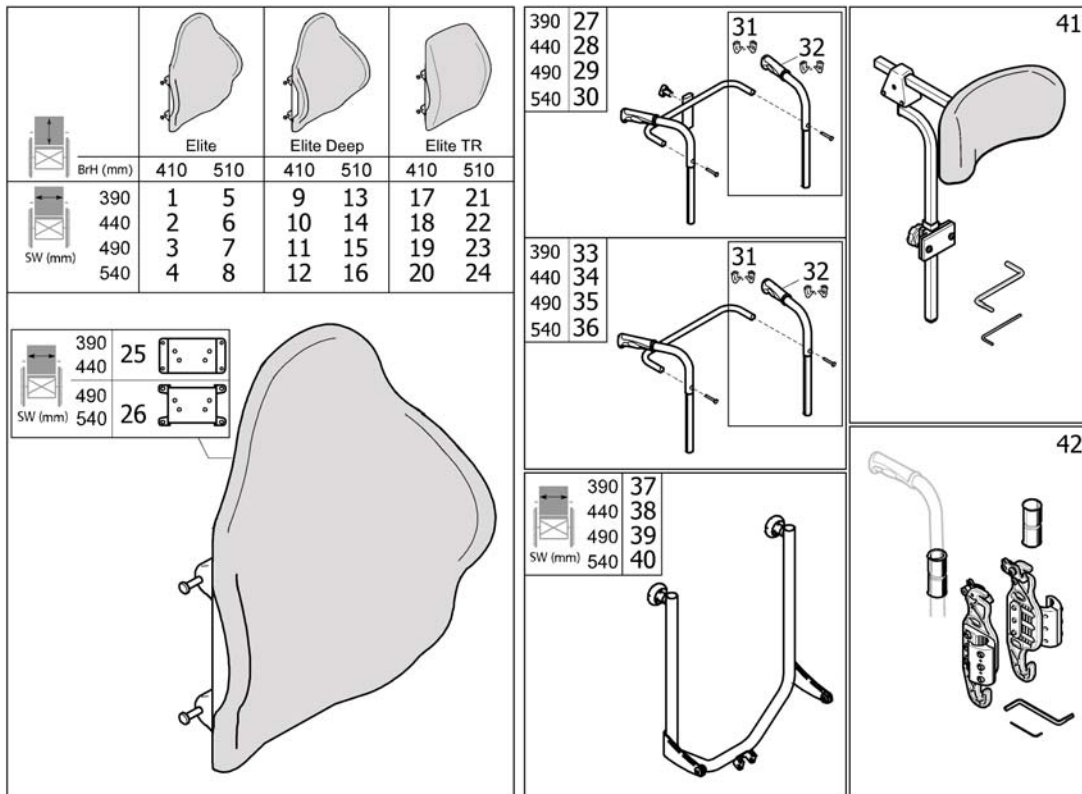
1	SP1571982	(BACKREST 390 ADJ, LAGUNA, CPL.)	1
2	SP1571983	(BACKREST 440 ADJ, LAGUNA, CPL.)	1
3	SP1571984	(BACKREST 490 ADJ, LAGUNA, CPL.)	1
4	SP1572582	(BACKREST 540 ADJ, LAGUNA, CPL.)	1
5	SP1574068	(BACKREST BODY 390-440, TENSION ADJ.)	1
6	SP1574069	(BACKREST BODY 490-540, TENSION ADJ.)	1
7	SP1518478	RATT, M10, PAR AZALEA	1
8	SP1574755	(LOCKING PIN KIT)	1
9	SP1427118-TR26	RYGGPUTE SB39 LAGUNA 372 X550 TR26	1
10	SP1427119-TR26	RYGGPUTE LAGUNA 402X550 TR26	1
11	SP1427120-TR26	RYGGPUTE LAGUNA 452X550 SORT	1
12	SP1427121-TR26	RYGGPUTE S LAGUNA 492X550 TR26	1
13	SP1427118-TR35	RYGGPUTE LAGUNA TR35 372 X550	1
14	SP1427119-TR35	RYGGPUTE LAGUNA 402X550 TR35	1
15	SP1427120-TR35	RYGGPUTE LAGUNA 452X550 TR35	1
16	SP1427121-TR35	RYGGPUTE LAGUNA 492X550 TR35	1
17	SP1427118-TR36	(CUSHION, BACKREST LAGUNA 372X550, SPACER BLACK)	1
18	SP1427119-TR36	(BACKREST CUSHION 402X550, LAGUNA, SPACER BLACK)	1
19	SP1427120-TR36	(BACKREST CUSHION 452X550, LAGUNA, SPACER BLACK)	1
20	SP1427121-TR36	(BACKREST CUSHION 492X550, LAGUNA, SPACER BLACK)	1
21	SP1590025-TR26	(COVER LATERAL LOW 425X430, DARTEX BLACK)	1
22	SP1590026-TR26	(COVER LATERAL LOW 475X430, DARTEX BLACK)	1
23	SP1590072-TR26	(COVER LATERAL LOW 525X430, DARTEX BLACK)	1
24	SP1590073-TR26	(COVER LATERAL LOW 575X430, DARTEX BLACK)	1
25	SP1590025-TR36	(COVER LATERAL LOW 425X430, SPACER BLACK)	1
26	SP1590026-TR36	(COVER LATERAL LOW 475X430, SPACER BLACK)	1
27	SP1590072-TR36	(COVER LATERAL LOW 525X430, SPACER BLACK)	1
28	SP1590073-TR36	(COVER LATERAL LOW 575X430, SPACER BLACK)	1
29	SP1431668-TR26	RYGGPUTE MISTRAL2 355X510 DARTEX GRÅ	1
30	SP1424651-TR26	RYGGPUTE MISTRAL2 405X510 TR26	1
31	SP1424652-TR26	RYGGPUTE MISTRAL2 455X510 TR26	1

**(Backrest Laguna, tension adj. (30° tilt only))**

---

32	SP1424653-TR26	RYGGPUTE MISTRAL2 505X51 0 TR26	1
33	SP1431668-TR35	RYGGPUTE MISTRAL2 355X51 0 TR35	1
34	SP1424651-TR35	RYGGPUTE MISTRAL2 405-51 0 TR35	1
35	SP1424652-TR35	RYGGPUTE MISTRAL2 455X51 0 TR35	1
36	SP1424653-TR35	RYGGPUTE MISTRAL2 505X51 0 TR35	1



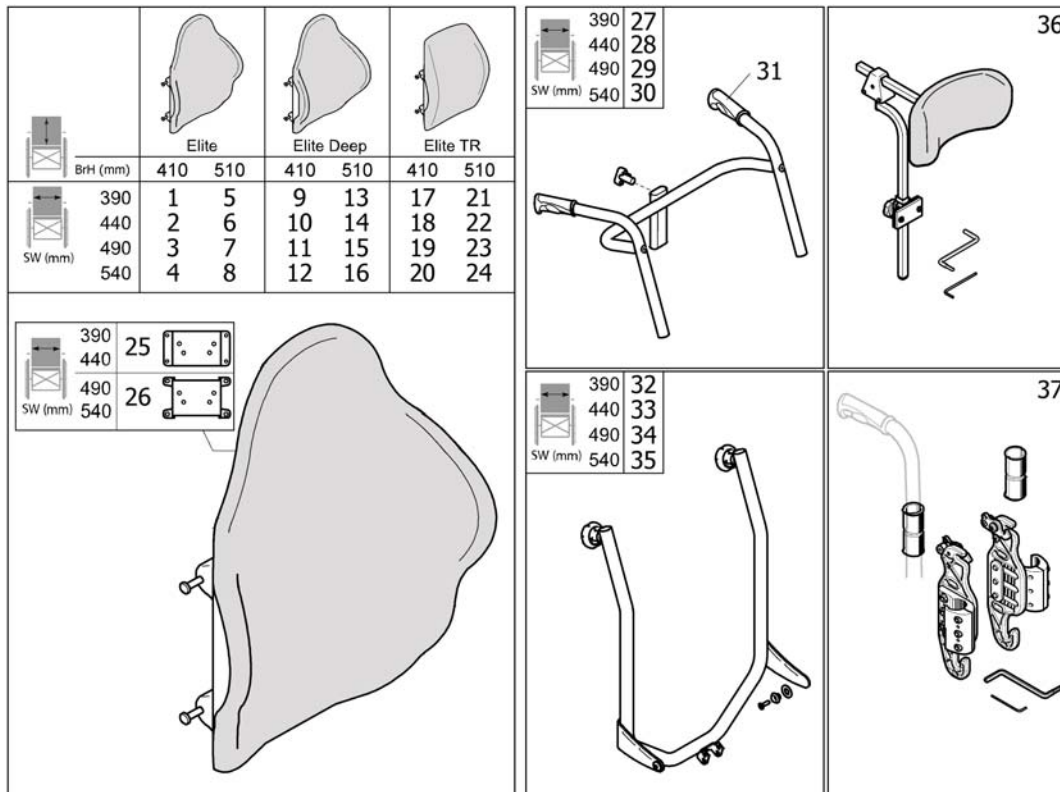
**(Backrest Matrix, straight)**

1	SP1587286	(Backrest 380x405, Matr Elite)	1
2	SP1587287	(Backrest 430x405, Matr Elite)	1
3	SP1587288	(Backrest 480x405, Matr Elite)	1
4	SP1587290	(Backrest 505x405, Matr Elite)	1
5	1532094	(Backrest 380x505, Matr Elite)	1
6	1517755	(Backrest 430x505, Matr Elite)	1
7	1517757	(Backrest 480x505, Matr Elite)	1
8	1532097	(Backrest 505x505, Matr Elite)	1
9	SP1587291	(Backrest 380x405, Matr Elite Deep)	1
10	SP1587292	(Backrest 430x405, Matr Elite Deep)	1
11	SP1587293	(Backrest 480x405, Matr Elite Deep)	1
12	SP1587294	(Backrest 505x405, Matr Elite Deep)	1
13	1543511	RYGG ELITE DEEP SB38 X50,5 UTEN FESTE	1
14	1543519	RYGG ELITE DEEP SB43RH50 MATRIX	1
15	1543987	RYGG Elite Deep Back 48w x 50.5hNo H/ware	1
16	1543991	RYGG Elite Deep SB50.5 H50.5h UTEN FESTE	1
17	SP1586982	(Backrest 380x410, Matr Elite TR)	1
18	SP1586984	(Backrest 430x410, Matr Elite TR)	1
19	SP1587046	(Backrest 480x410, Matr Elite TR)	1
20	SP1587048	(Backrest 505x410, Matr Elite TR)	1
21	SP1587049	(Backrest 380x510, Matr Elite TR)	1
22	SP1587128	(Backrest 430x510, Matr Elite TR)	1
23	SP1587195	(Backrest 480x510, Matr Elite TR)	1
24	SP1587282	(Backrest 505x510, Matr Elite TR)	1
25	1544188	FESTE ELITE FOR HODESTØTTEFESTE 36-43cm	1
26	1544187	FESTE Elite FOR HODESTØTTE FESTE 46-51CM	1
27	SP1572531	(PUSH HANDLES 390, FIXED CPL. (FOR NECK- AND HEADREST))	1
28	SP1572574	(PUSH HANDLES 440, FIXED CPL. (FOR NECK- AND HEADREST))	1
29	SP1572575	KJØREHÅNDTAK MEDNAKKEST FEST SB49 AZALEA	1
30	SP1572576	(PUSH HANDLES 540, FIXED CPL. (FOR NECK- AND HEADREST))	1
31	SP1572734	(PUSH HANDLE CPL., PAIR)	1

## (Backrest Matrix, straight)

---

32	SP1537634	HÅNDTAK 22+ANVISN, PAR	1
33	SP1571966	KJREHÅNDTAK FASTE KPL SB39 FLEX 3	1
34	SP1571967	KJØREHÅNDTAK FASTE KPL SB44 FLEX3 AZALEA	1
35	SP1571968	KJØREHÅNDTAK FASTE KPL SB49 FLEX3 AZALEA	1
36	SP1572787	(PUSH HANDLES 540, FIXED CPL.)	1
37	SP1572462	(BACKREST BOW 390)	1
38	SP1572463	(BACKREST BOW 440)	1
39	SP1572530	(BACKREST BOW 490)	1
40	SP1572847	(BACKREST BOW 540)	1
41	1545274	HODESTØTTE MATRX 25.5cm SOFT PUTE MED PB FESTE	1
42	SP1545275	(Mounting hardware, Matrix)	1

**(Backrest Matrix, bended)**

56021565

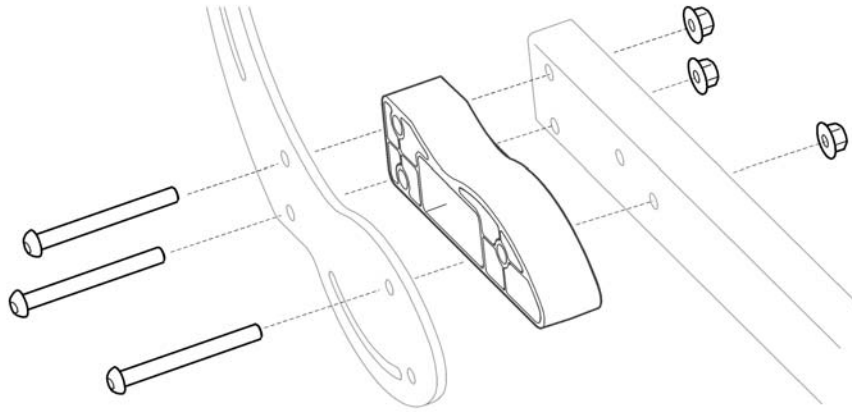
1	SP1587286	(Backrest 380x405, Matr Elite)	1
2	SP1587287	(Backrest 430x405, Matr Elite)	1
3	SP1587288	(Backrest 480x405, Matr Elite)	1
4	SP1587290	(Backrest 505x405, Matr Elite)	1
5	1532094	(Backrest 380x505, Matr Elite)	1
6	1517755	(Backrest 430x505, Matr Elite)	1
7	1517757	(Backrest 480x505, Matr Elite)	1
8	1532097	(Backrest 505x505, Matr Elite)	1
9	SP1587291	(Backrest 380x405, Matr Elite Deep)	1
10	SP1587292	(Backrest 430x405, Matr Elite Deep)	1
11	SP1587293	(Backrest 480x405, Matr Elite Deep)	1
12	SP1587294	(Backrest 505x405, Matr Elite Deep)	1
13	1543511	RYGG ELITE DEEP SB38 X50,5 UTEN FESTE	1
14	1543519	RYGG ELITE DEEP SB43RH50 MATRIX	1
15	1543987	RYGG Elite Deep Back 48w x 50.5hNo H/ware	1
16	1543991	RYGG Elite Deep SB50.5 H50.5h UTEN FESTE	1
17	SP1586982	(Backrest 380x410, Matr Elite TR)	1
18	SP1586984	(Backrest 430x410, Matr Elite TR)	1
19	SP1587046	(Backrest 480x410, Matr Elite TR)	1
20	SP1587048	(Backrest 505x410, Matr Elite TR)	1
21	SP1587049	(Backrest 380x510, Matr Elite TR)	1
22	SP1587128	(Backrest 430x510, Matr Elite TR)	1
23	SP1587195	(Backrest 480x510, Matr Elite TR)	1
24	SP1587282	(Backrest 505x510, Matr Elite TR)	1
25	1544188	FESTE ELITE FOR HODESTØTTEFESTE 36-43cm	1
26	1544187	FESTE Elite FOR HODESTØTTE FESTE 46-51CM	1
27	1580570	(Push handles, bent, neck-&headrest, size 390, cpl.)	1
28	1580571	(Push handles, bent, neck-& headrest, size 440, cpl.)	1
29	1580572	(Push handles, bent, neck-& headrest, size 490, cpl.)	1
30	1580573	(Push handles, bent, neck-& headrest, size 540, cpl.)	1
31	SP1537634	HåNDTak 22+ANVISN, PAR	1

## **(Backrest Matrix, bended)**

---

32	SP1572946	(BACKREST BOW 390, BENDED)	1
33	SP1572947	(BACKREST BOW 440, BENDED)	1
34	SP1572953	(BACKREST BOW 490, BENDED)	1
35	SP1574547	(BACKREST BOW 540, BENDED)	1
36	1545274	HODESTØTTE MATRX 25.5cm SOFT PUTE MED PB FESTE	1
37	SP1545275	(Mounting hardware, Matrix)	1

1  
🔍



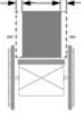






606121546

1 SP1571009

(Kit, 50mm backrest width extensions, pair)

1

**(Cushions, Flex3 backrest)**

 BW + ext.	 Mistral 2		 Laguna			 Passad 2			 Shoulder high	 Multi Functional	 Lateral	
	TR26	TR35	TR26	TR35	TR36	TR26	TR35	TR36	TR26		TR26	TR35
390	1	2	9	10	11	21	22	23	33	36	39	40
390 +50	3	4	12	13	14	24	25	26	33	36	39	40
390 +100	5	6	15	16	17	24	25	26	33	36	39	40
440	3	4	12	13	14	24	25	26	33	37	41	42
440 +50	5	6	15	16	17	27	28	29	34	37	41	42
440 +100	7	8	18	19	20	27	28	29	34	37	41	42
490	5	6	15	16	17	27	28	29	34	38	43	44
490 +50	7	8	18	19	20	30	31	32	35	38	43	44
490 +100	-	-	-	-	-	-	-	-	-	38	43	44

45			Färg	Colour	Farbe	Couleur
	TR26		dartex svart	dartex black	dartex schwarz	dartex noir
	TR35		plysch svart	plysch black	plüsch schwarz	velours noir
	TR36		spacer svart	spacer black	spacer schwarz	spacer noir

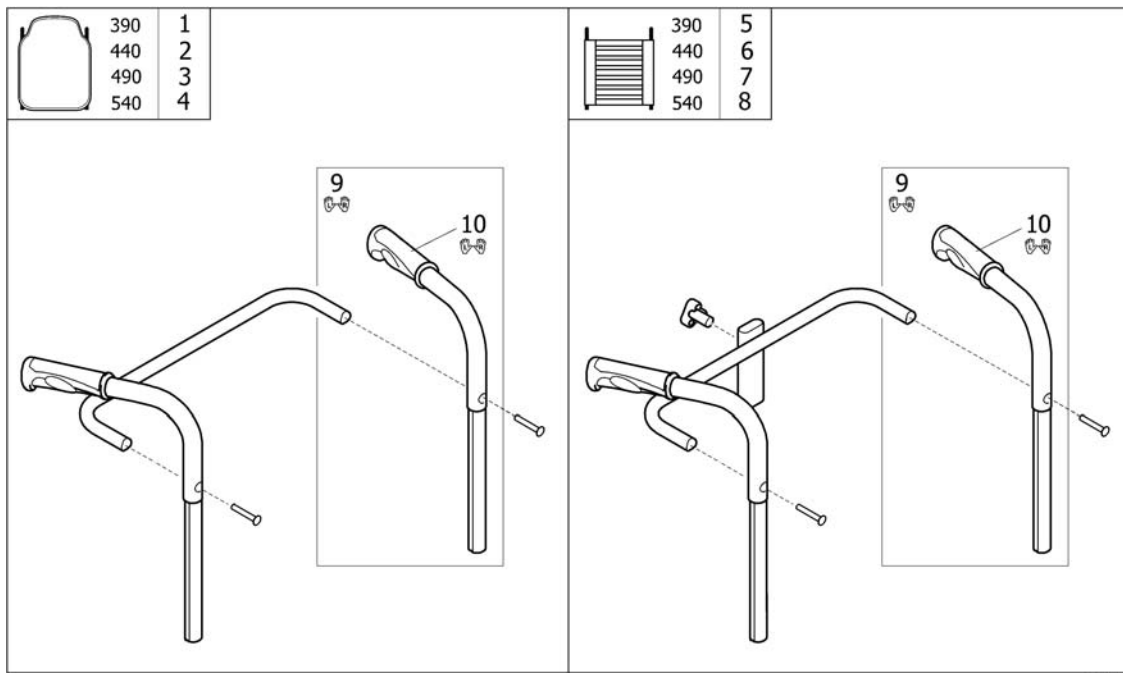
SP156156

1	SP1431668-TR26	RYGGPUTE MISTRAL2 355X51 0 DARTEX GRÅ	1
2	SP1431668-TR35	RYGGPUTE MISTRAL2 355X51 0 TR35	1
3	SP1424651-TR26	RYGGPUTE MISTRAL2 405X51 0 TR26	1
4	SP1424651-TR35	RYGGPUTE MISTRAL2 405-51 0 TR35	1
5	SP1424652-TR26	RYGGPUTE MISTRAL2 455X51 0 TR26	1
6	SP1424652-TR35	RYGGPUTE MISTRAL2 455X51 0 TR35	1
7	SP1424653-TR26	RYGGPUTE MISTRAL2 505X51 0 TR26	1
8	SP1424653-TR35	RYGGPUTE MISTRAL2 505X51 0 TR35	1
9	SP1427118-TR26	RYGGPUTE SB39 LAGUNA 372 X550 TR26	1
10	SP1427118-TR35	RYGGPUTE LAGUNA TR35 372 X550	1
11	SP1427118-TR36	(CUSHION, BACKREST LAGUNA 372X550, SPACER BLACK)	1
12	SP1427119-TR26	RYGGPUTE LAGUNA 402X550 TR26	1
13	SP1427119-TR35	RYGGPUTE LAGUNA 402X550 TR35	1
14	SP1427119-TR36	(BACKREST CUSHION 402X550, LAGUNA, SPACER BLACK)	1
15	SP1427120-TR26	RYGGPUTE LAGUNA 452X550 SORT	1
16	SP1427120-TR35	RYGGPUTE LAGUNA 452X550 TR35	1
17	SP1427120-TR36	(BACKREST CUSHION 452X550, LAGUNA, SPACER BLACK)	1
18	SP1427121-TR26	RYGGPUTE S LAGUNA 492X55 0 TR26	1
19	SP1427121-TR35	RYGGPUTE LAGUNA 492X550 TR35	1
20	SP1427121-TR36	(BACKREST CUSHION 492X550, LAGUNA, SPACER BLACK)	1
21	SP1429271-TR26	RYGGPUTE PASSAD2 440X550 TR26 DARTEX GRÅ	1
22	SP1429271-TR35	RYGGPUTE PASSAD 440X55 0 TR53	1
23	SP1429271-TR36	(BACKREST CUSHION 440X550, PASSAD2, SPACER BLACK)	1
24	SP1424647-TR26	RYGGPUTE PASSAD2 470X550 TR26	1
25	SP1424647-TR35	RYGGPUTE PASSAD 2 470X55 0 TR35	1
26	SP1424647-TR36	(BACKREST CUSHION 470X550, PASSAD2, SPACER BLACK)	1
27	SP1424649-TR26	RYGGPUTE PASSAD2 520X550 TR26	1
28	SP1424649-TR35	RYGGPUTE PASSAD 2 520X55 0 TR35	1
29	SP1424649-TR36	(BACKREST CUSHION 520X550, PASSAD2, SPACER BLACK)	1
30	SP1429278-TR26	RYGGPUTE PASSAD 2 580X55 0 TR26	1
31	SP1429278-TR35	RYGGPUTE PASSAD 2 580X55 0 TR35	1

**(Cushions, Flex3 backrest)**

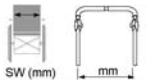
32	SP1429278-TR36	(BACKREST CUSHION 580X550, PASSAD2, SPACER BLACK)	1
33	SP1444275-TR26	RYGGPUTE PASSAD2 HØY 440X65 0 TR26	1
34	SP1444277-TR26	RYGGPUTE PASSAD2 HØY 520X65 0 TR26	1
35	SP1444278-TR26	RYGGPUTE PASSAD2 HØY 580X65 0 TR26	1
36	1435592	RYGGPUTE VICAIR MULTIF 39/58 Azalea	1
37	1445741	RYGGPUTE MULTIFUNCTIONAL S	1
38	1445742	RYGGPUTE MULTIFUNCTIONAL M	1
39	SP1543667	(Backrest cushion Lateral 475x540mm, Dartex black (TR26))	1
40	SP1543668	RYGGTREKK S LATERAL STØT 450X460 TR35 FLEX3	1
41	SP1543669	(Backrest cushion Lateral 525x540mm, Dartex black (TR26))	1
42	SP1543670	RYGGTREKK M LATERAL STØT 500X460 TR35 FLEX3	1
43	SP1543671	(Backrest cushion Lateral 575x540mm, Dartex black (TR26))	1
44	SP1543672	RYGGTREKK LATERAL575X540 TR35, PLYSCH SVART	1
45	SP1513037	(WEDGES, PAIR)	1

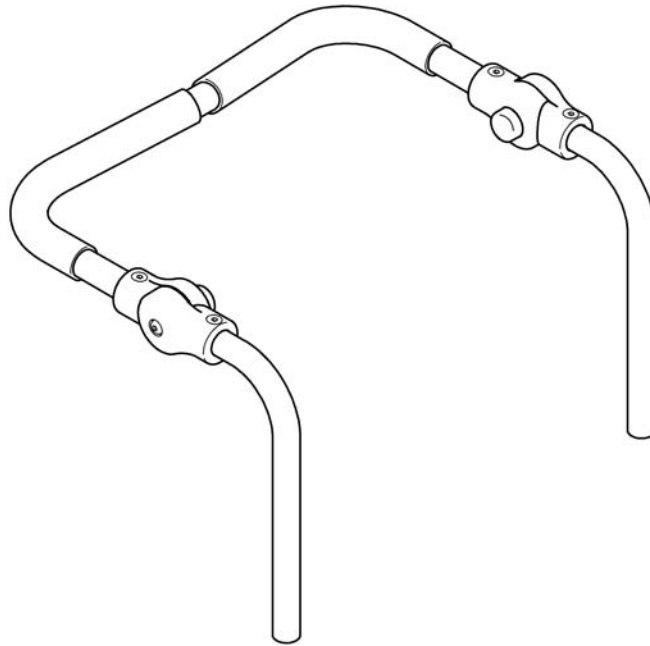
## (Push handles)



1	SP1571966	KJREHÅNDTAK FASTE KPL SB39 FLEX 3	1
2	SP1571967	KJØREHÅNDTAK FASTE KPL SB44 FLEX3 AZALEA	1
3	SP1571968	KJØREHÅNDTAK FASTE KPL SB49 FLEX3 AZALEA	1
4	SP1572787	(PUSH HANDLES 540, FIXED CPL.)	1
5	SP1572531	(PUSH HANDLES 390, FIXED CPL. (FOR NECK- AND HEADREST))	1
6	SP1572574	(PUSH HANDLES 440, FIXED CPL. (FOR NECK- AND HEADREST))	1
7	SP1572575	KJØREHÅNDTAK MEDNAKKEST FEST SB49 AZALEA	1
8	SP1572576	(PUSH HANDLES 540, FIXED CPL. (FOR NECK- AND HEADREST))	1
9	SP1572734	(PUSH HANDLE CPL., PAIR)	1
10	SP1537634	HÅNDTAK 22+ANVISN, PAR	1



		
SW (mm)	mm	
390	362	1
440	412	2
490	463	3

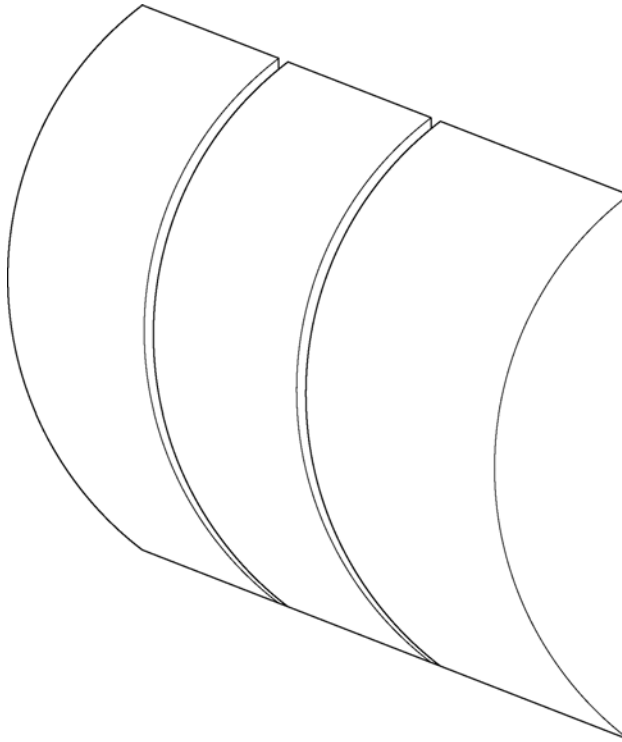


SP1563967

1	SP1563967	KJØREBØYLE KPL VREG HREG SB 39	1
2	SP1564551	KJØREBØYLE KPL VREG HREG SB 44	1
3	SP1564552	KJØREBØYLE KPL VREG HREG SB 49	1

(Rea® Dahlia) | (Backrest)

**(Curvature cushion)**



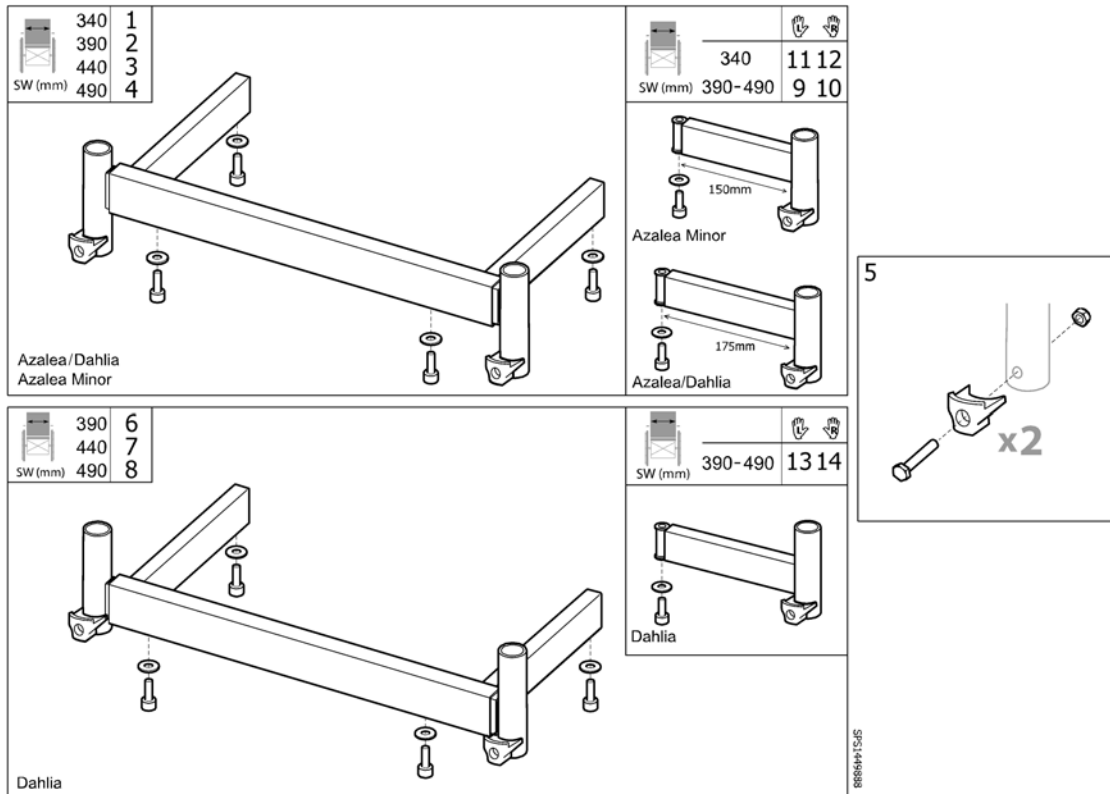
SPS5295081

---

1 5252527




KORSRYGGSTØTTE

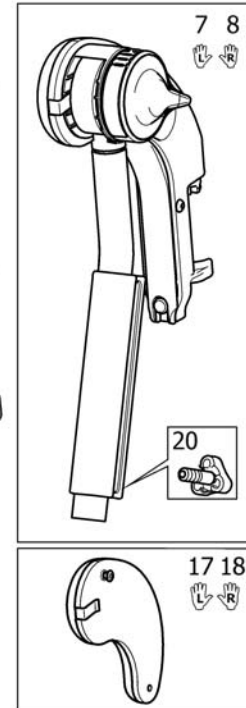
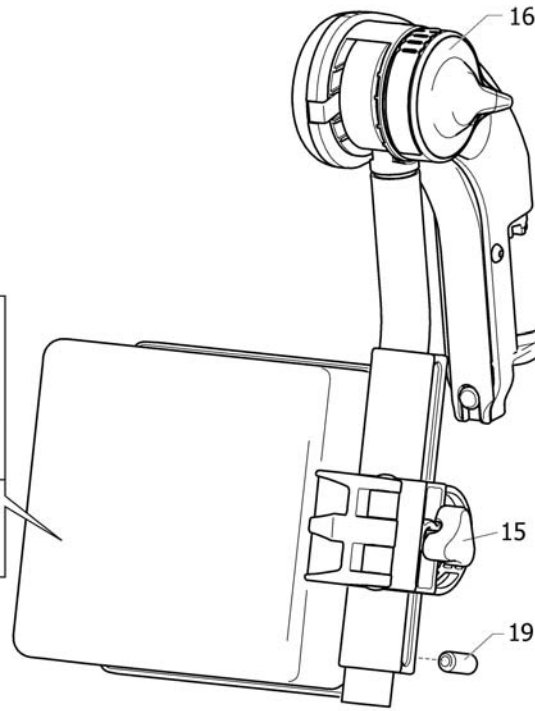
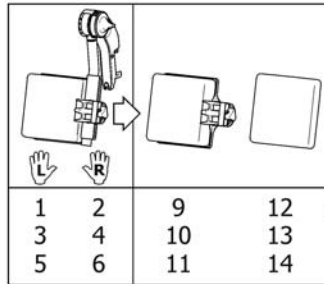
1



1	1508926-0509	BENSTØDSFESTE KPL AZALEA MINOR OG BASE SB34	1
2	1449888-0509	FESTE BENSTØTTE SB39 JUSTBAR AZAL	1
3	1449889-0509	FESTE BENSTØTTE SB44 JUSTBAR AZAL	1
4	1449890-0509	FESTE BENSTØTTE SB49 JUSTBAR AZAL	1
5	1508091	STOPPER TIL BENSTØTTE KPL.MED SKRUE REA	1
6	SP1574112	(Hanger attachment 390 adj, high, cpl.)	1
7	SP1574113	(Hanger attachment 440 adj, high, cpl.)	1
8	SP1574114	(Hanger attachment 490 adj, high, cpl.)	1
9	SP1579059	BENSTØTTE FESTE VE. KPL AZALEA	1
10	SP1579440	BENSTØTTEFESTE HØ. KPL AZALEA	1
11	SP1513015	(Legrest support, LH, Azalea Minor, cpl.)	1
12	SP1513016	(Legrest support, RH, Azalea Minor, cpl.)	1
13	SP1574125	(Legrest support, high, LH, cpl.)	1
14	SP1574124	(Legrest support, high, RH, cpl.)	1

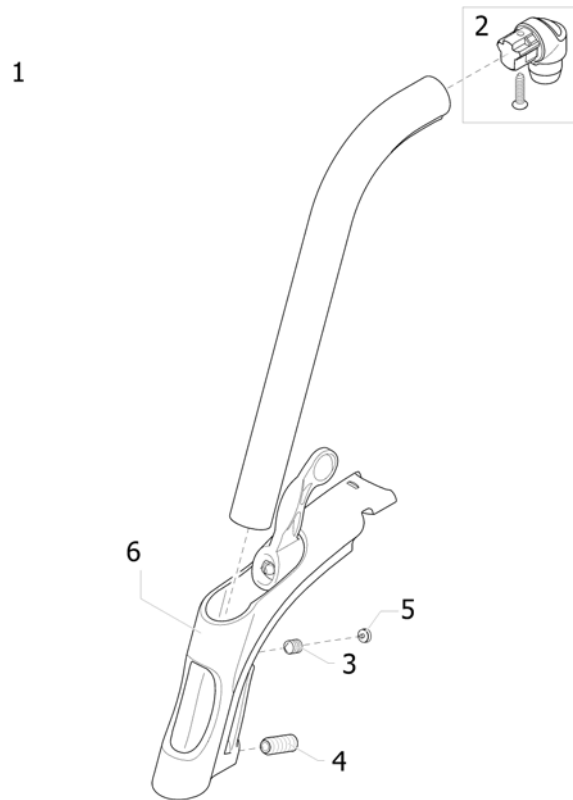
**(Legrest AA, ALU2008)**

			
	SW (mm)		
Azalea, Clematis, Dahlia	340-390	1	2
	440	3	4
	490	5	6
Bellis, Bellis 150	390-430 (S)	3	4
	440-480 (M)	5	6
	490-530 (L)	5	6



1	1524984	BENST OVERDEL VREG VE M/ LEGGPUTE ASALEA ALU 39	1
2	1524985	BENST OVERDEL VREG HØ M/ LEGGPUTE ASALEA ALU 39	1
3	1524986	BENST OVERDEL VREG VE M/ LEGGPUTE SB44 ASALEA ALU	1
4	1524987	BENST OVERDEL VREG HØ M/ LEGGPUTE SB44 ASALEA ALU	1
5	1524988	BENSTØTTE OVERDEL VE MED LEGGSTØTTE SB49 AZALEA	1
6	1524989	BENSTØTTE OVERDEL HØ MED LEGGSTØTTE SB49 AZALEA	1
7	1513007	BENST OVERDEL VREG VE M/ KNEPUTE ALU 10 2008	1
8	1513006	BENST OVERDEL VREG HØ M/ KNEPUTE ALU 10 2008	1
9	1516313	LEGGSTØTTE sb39 14X17X8 TR26 KPL	1
10	1516314	LEGGSTØTTE sb44 ,5X17X8 TR26 KPL	1
11	1516315	LEGGSTØTTE sb49 19X17X8 TR26 KPL	1
12	1445763	LEGGPUTE 16 DARTEX SVART BELLIS AZALEA	1
13	1445764	SIDESTØTTE 19 DARTEX SVA RT BELLIS AZALEA	1
14	1445765	SIDESTØTTE 22 DARTEX SVA RT BELLIS AZALEA	1
15	1429215	RATT TIL LEGGSTØTTE	1
16	1508943	HENDEL PROPP VINKEL. REG TIL BENST. AZALEA	1
17	1513671	KNEPUTE VE KPL M SKRUE VS 2008	01.10.2008 → 1
18	1513716	KNEPUTE HØ KPL M SKRUE ALU2008	01.10.2008 → 1
19	1424571	FJÆRENDE TRYKSKRUE M10x23	1
20	1429326	FINGERSKRUE FOR BENSTØTTE REA	1

# (Legrest 80° Alu2003, Fixed)

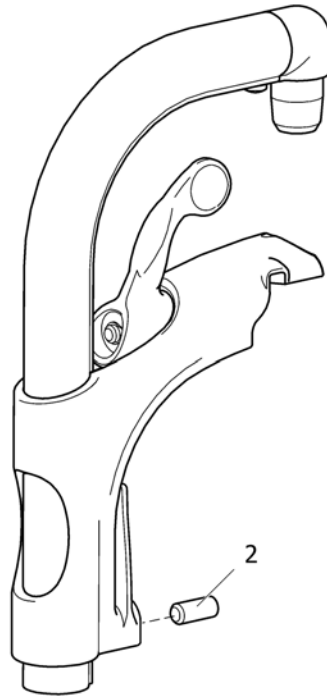


---

1	1493055-0509	BENST OVERDEL FAST 80 KPL	1
2	1430426	FESTE BENSTØTTE ACTION3	1
3	1424572	(Screw stop M10x12)	1
4	1424571	FJÆRENDE TRYKSKRUE M10x23	1
5	1435741	(Footrest Hanger Plug)	1
6	1434362	LÅSEMEKANISME KPL ALU PIN REA	1

# (Legrest 90° Alu2003, Fixed)

1

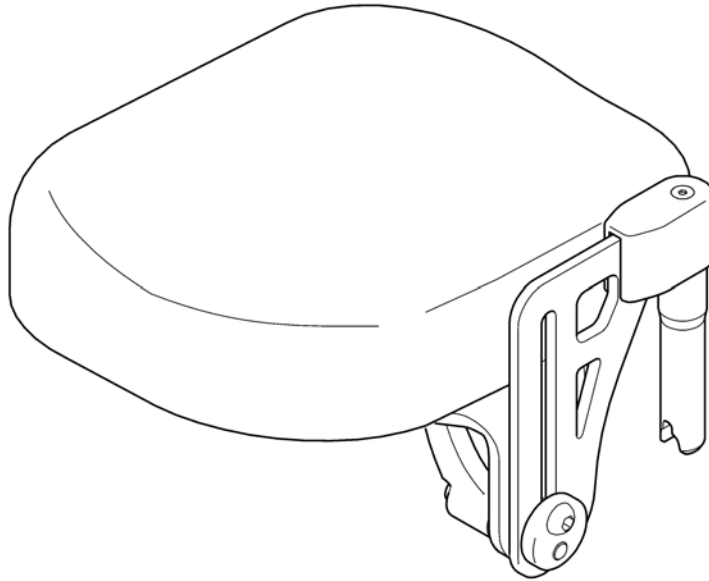


SPS1403056

---

1	1493056-0509	BENST OVERDEL 90 GR UNIVERSAL H/V STK	1
2	1424571	FJÆRENDE TRYKSKRUE M10x23	1

1 2  
👉 👈

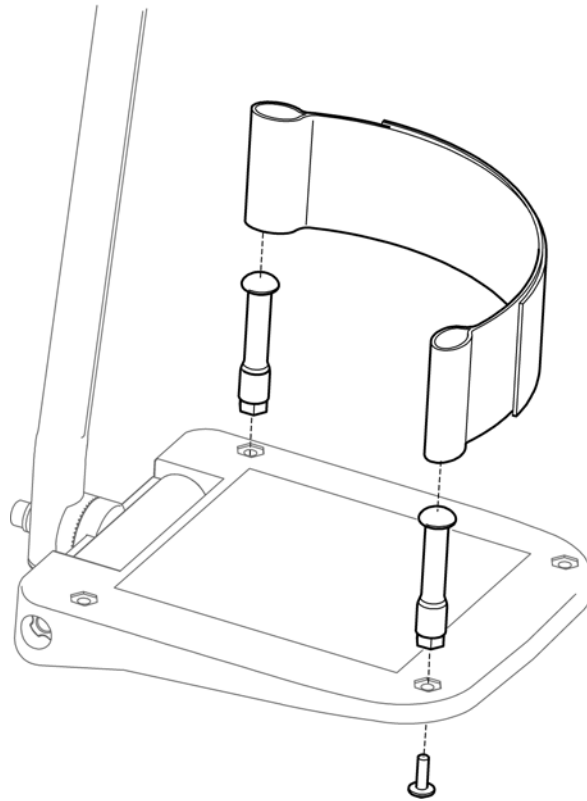


06241556

---

1	1442991	AMP STØTTE VE KPL 11"	1
2	1442990	AMP STØTTE HØ KPL 11"	1

# (Heel strap)



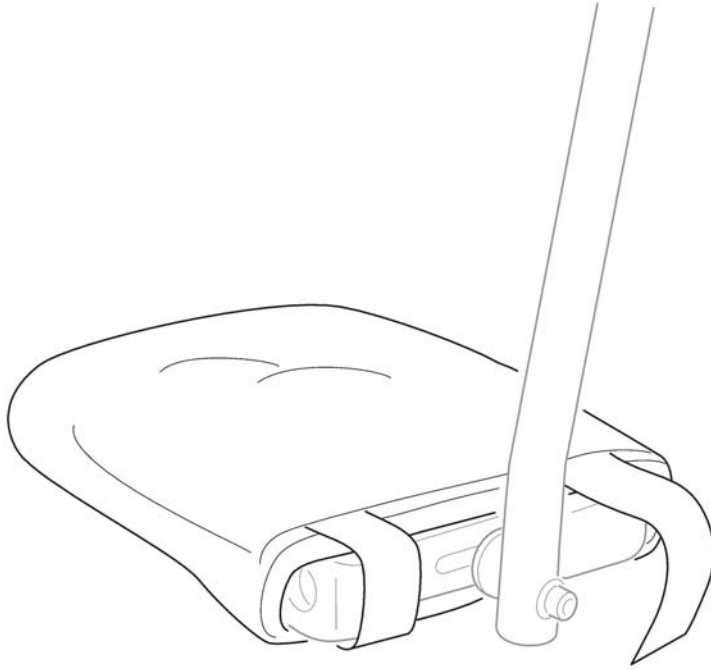
5321579

HÆLKAPPE 40-50 PAR

1



1



SP1563946

---

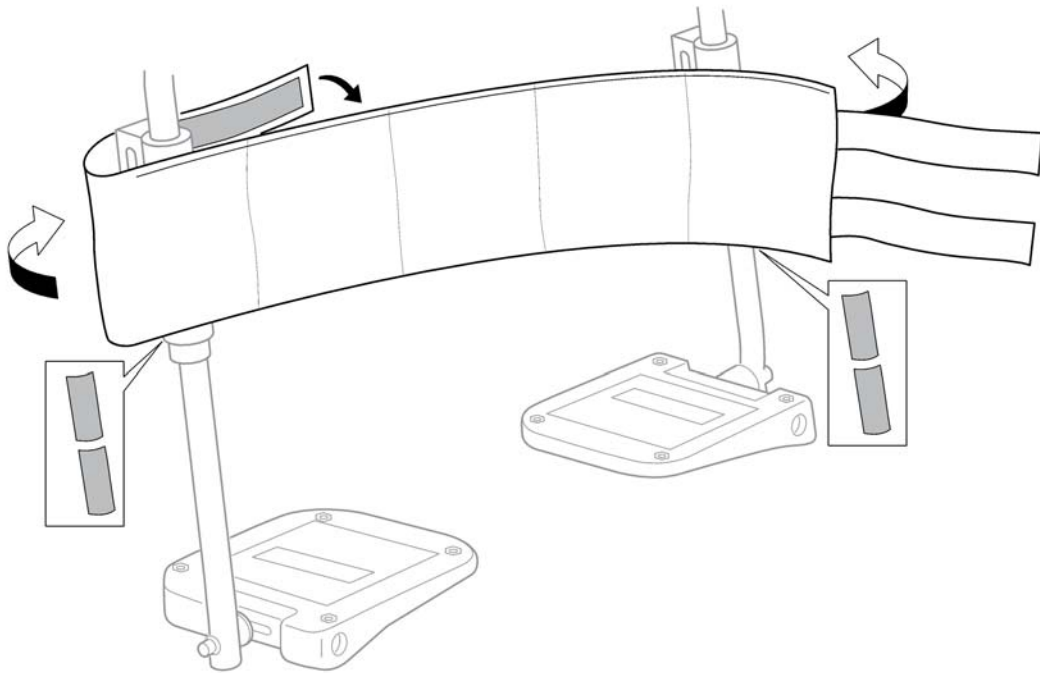
1 SP1563946

POLSTRING FOTPLATE SB39-49

1

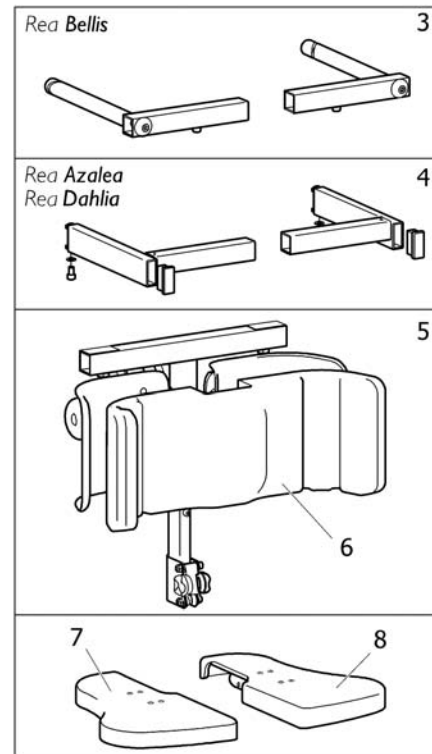
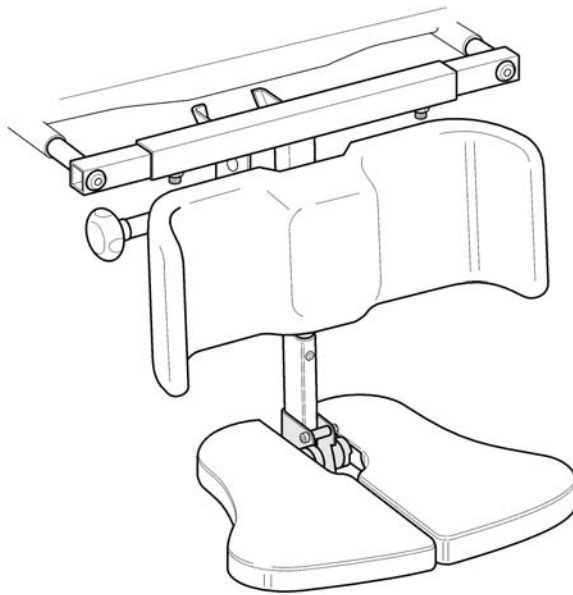
# (Calf strap, padded)

1



SPS1563951

Rea Bellis	1
Rea Azalea Rea Dahlia	2



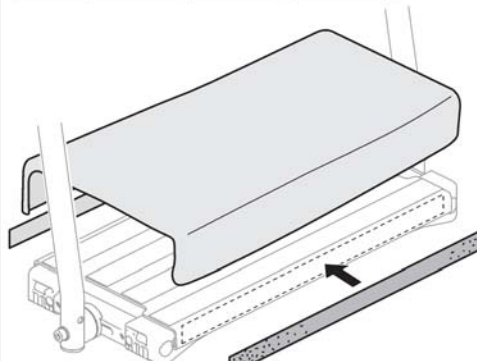
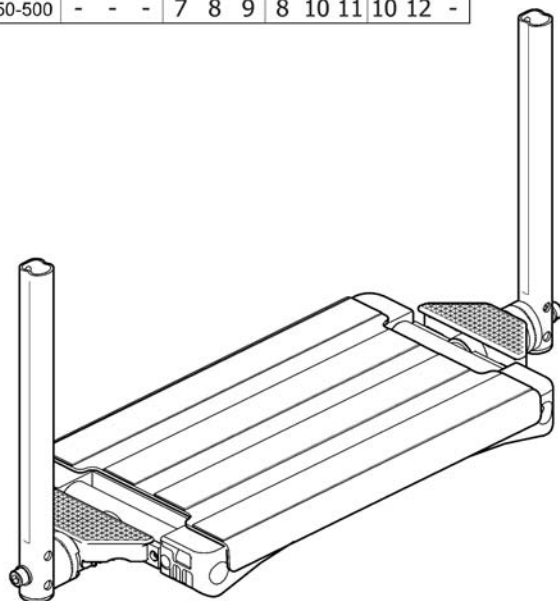
SPS1494821

1	1424640	BENST SENTRAL KPL	1
2	1484821	BENST SENTRAL KPL AZALEA AZALEA ASSIST	1
3	1493102	(ATTACHMENT CPL., CENTRAL LEGREST)	1
4	1493118	HOLDER KPL SENTER MONT BENST AZALEA 2006 <-	1
5	1493101	(POLE CPL, CENTRAL LEGREST)	1
6	1424545	LEGGPUTE SENTER BENSTØTT BELLIS/AZAL	1
7	1484006	(FOOTPLATE CPL, RIGHT, CENTER FOOTREST)	1
8	1484007	(FOOTPLATE CPL, LEFT, CENTER FOOTREST)	1

# (Footrest one piece)

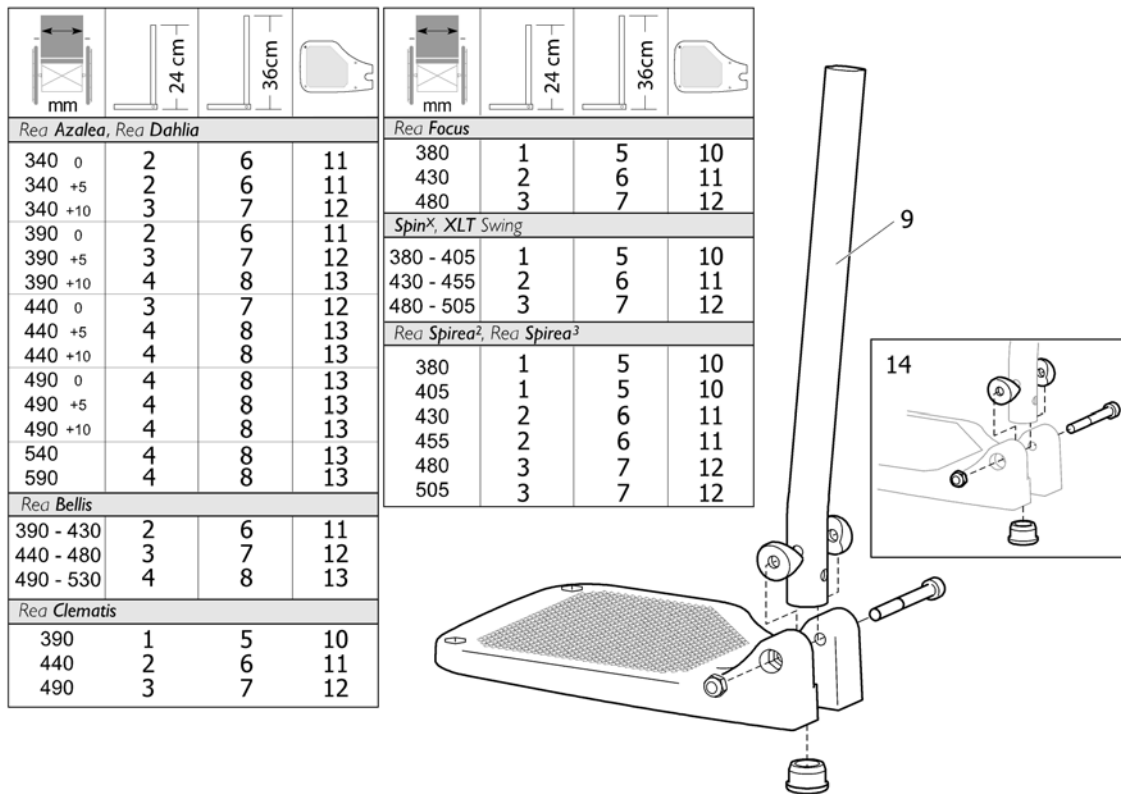
SH (mm)	340			390			440			490		
	0	+50	+100	0	+50	+100	0	+50	+100	0	+50	+100
400-450	1	1	2	1	2	3	2	4	5	4	6	-
450-500	-	-	-	7	8	9	8	10	11	10	12	-

SW (mm)	390			440			490		
	0	+50	+100	0	+50	+100	0	+50	+100
	13	14	15	14	15	15	15	15	-

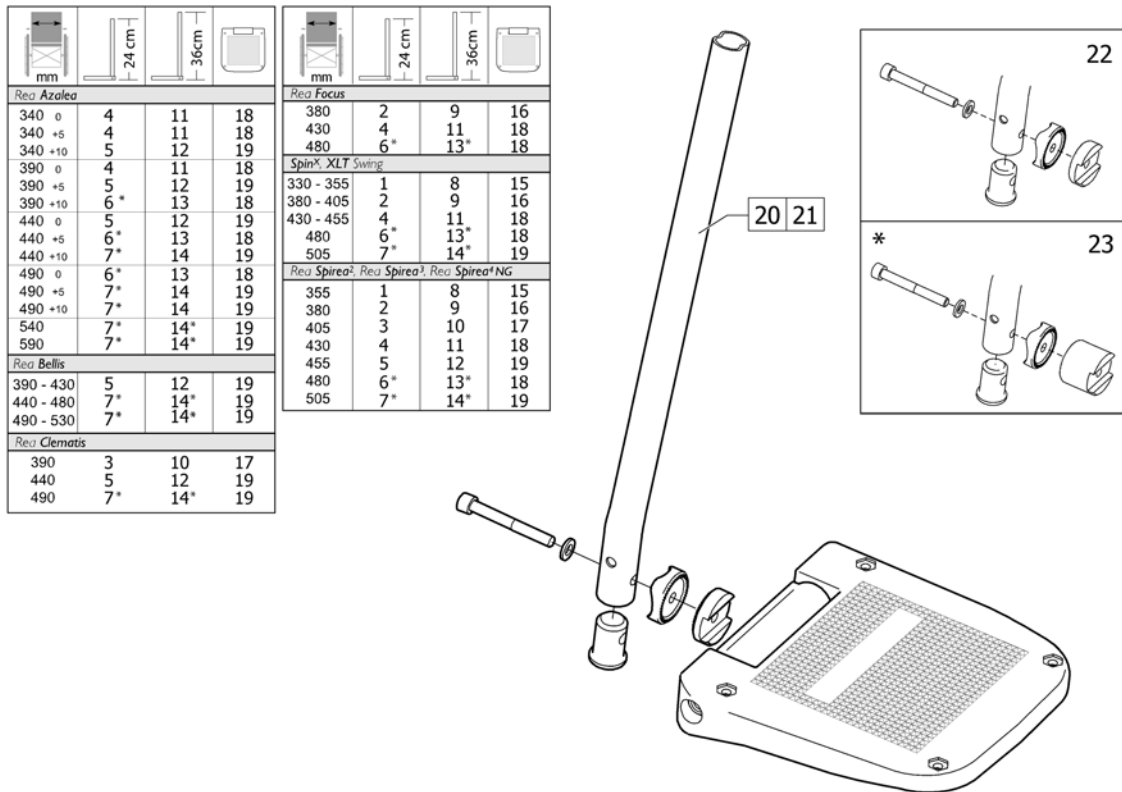
SP51493268

1	1493268	FOTPLATE SB455 XLT FOCUS SP4NG-SB39 AZALEA HEL	1
2	1493270	FOOTPLATE HEL 50,50KPL TIL SB 44 AZALEA	1
3	1495821	FOTPLATE HEL SB44 DYBDE OG VREG KORT KPL	1
4	1495822	FOTSTØTTE HEL 49 KPL VREG KORT	1
5	1495823	FOTPLATE SB58 DYBDE OG V REG KORT KPL	1
6	1495824	FOTPLATE SB605 DYBDE OG VREG KORT KPL	1
7	1493358	FOTSTØTTE OP 45,5 KPL DJUP A/A LANG 90	1
8	1493377	FOTPLATE HEL 50,5 AZALEA DYBDE OG VINKELREG.LANG	1
9	1495825	FOTSTØTTE OP 53 KPL DJUP A/A LANG 92	1
10	1495826	FOTSTØTTE OP 55,5 KPL DJUP A/A LANG 93	1
11	1495827	FOTSTØTTE OP 58 KPL DJUP A/A LANG 94	1
12	1495828	FOTSTØTTE OP 60,5 KPL DJUP A/A LANG 95	1
13	SP1563959	POLSTRING HEL FOTPLAE SB 39 AZALEA	1
14	SP1563962	POLSTRING HEL FOTPLATE SB 44 AZALEA	1
15	SP1563963	POLSTRING HEL FOTPLATE SB49 AZALEA	1

**(Footrest, fixed, Alu2003)**

1	1428357	FOTPLATE 19 FAST KORT VE ALU2003	1
1	1428358	FOTPLATE 19 FAST KORT HØ ALU2003	1
2	1428361	FOTPLATE 21 FAST KORT VE ALU2003	1
2	1428362	FOTPLATE 21 FAST KORT HØ ALU2003	1
3	1428365	FOTPLATE 24 FAST KORT VE ALU2003	1
3	1428366	FOTPLATE 24 FAST KORT HØ ALU2003	1
4	1435756	FOTPLATE 27 ALU2003 FAST KORT VE	1
4	1435757	FOTPLATE 27 ALU2003 FAST KORT HØ	1
5	1428359	FOTPLATE 19 FAST LANG VE ALU2003	1
5	1428360	FOTPLATE 19 FAST LANG HØ ALU2003	1
6	1428363	FOTPLATE 21 FAST LANG VE ALU2003	1
6	1428364	FOTPLATE 21 FAST LANG HØ ALU2003	1
7	1428367	FOTPLATE 24 FAST LANG VE ALU2003	1
7	SP1428368	(Footrest 24 Fixed, Long, Rh, Alu2003)	1
8	1435659	FOTPLATE 27 ALU2003 FAST LANG VE	1
8	1435660	FOTPLATE 27 ALU2003 FAST LANG HØ	1
9	1434561-0010	INNERRØR BENSTØTTE KORTE AZALEA/BELLIS	1
9	1434563-0010	INNERRØR BENSTØTTE LANGE AZALEA/BELLIS	1
10	1428340	FOTPLATE 187 MM VE	1
10	1428341	FOTPLATE 187 MM HØ	1
11	1424574	FOTPLATE FAST SB 43 VE 80GR ACTION3	1
11	1424575	FOTPLATE FAST SB 43 HØ 80GR ACTION3	1
12	1428346	FOTPLATE 237 MM VE	1
12	1428347	FOTPLATE 237 MM HØYRE	1
13	1428374	(Footplate, fixed, Lh, 250 mm (SW550/605 Action NG)(SW490 Esprit Clematis))	1
13	1428375	(Footplate, fixed, Rh, 250 mm (SW550/605 Action NG)(SW490 Esprit Clematis))	1
14	1430433	SKRUESETT FOR FOTPLATE	1

**(Footrest, AA, Alu2003)**



mm	24 cm	36 cm	
<b>Rea Azalea</b>			
340 0	4	11	18
340 +5	4	11	18
340 +10	5	12	19
390 0	4	11	18
390 +5	5	12	19
390 +10	6*	13	18
440 0	5	12	19
440 +5	6*	13	18
440 +10	7*	14	19
490 0	6*	13	18
490 +5	7*	14	19
490 +10	7*	14	19
540	7*	14*	19
590	7*	14*	19
<b>Rea Bellis</b>			
390 - 430	5	12	19
440 - 480	7*	14*	19
490 - 530	7*	14*	19
<b>Rea Clematis</b>			
390	3	10	17
440	5	12	19
490	7*	14*	19

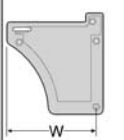


mm	24 cm	36 cm	
<b>Rea Focus</b>			
380	2	9	16
430	4	11	18
480	6*	13*	18
<b>SpinX<sup>®</sup> XLT Swing</b>			
330 - 355	1	8	15
380 - 405	2	9	16
430 - 455	4	11	18
480	6*	13*	18
505	7*	14*	19
<b>Rea Spirea<sup>®</sup>, Rea Spirea<sup>®</sup>1, Rea Spirea<sup>®</sup>NG</b>			
355	1	8	15
380	2	9	16
405	3	10	17
430	4	11	18
455	5	12	19
480	6*	13*	18
505	7*	14*	19

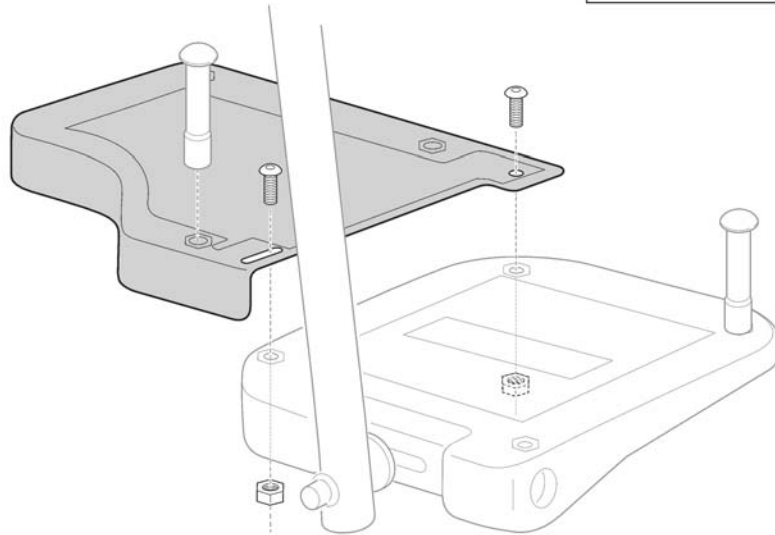
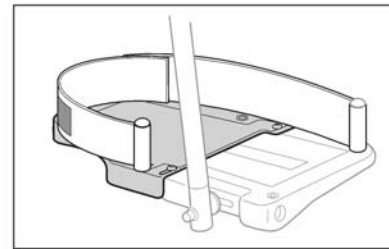
1	1485430	FOTPLATE 12 VREG OG DREG KORT, VENSTRE	1
1	1485524	FOTPLATE 12 VREG OG DREG KORT, HØYRE	1
2	1429159	FOTPLATE 14 VREG KORT VE ALU2003	1
2	1429160	FOTPLATE 14 VREG KORT HØ ALU2003	1
3	1429161	FOTPLATE 16 ALU 2003 VREG KORT VE	1
3	1429162	FOTPLATE 16 ALU 2003 VREG KORT HØ	1
4	1429163	FOTPLATE 17 VREG KORT VE ALU2003	1
4	1429164	FOTPLATE 17 VREG KORT HØ ALU2003	1
5	1429165	FOTPLATE 18 VREG KORT VE ALU2004	1
5	1429166	FOTPLATE 18 VREG KORT HØ ALU2003	1
6	1429167	FOTPLATE 19 VREG KORT VE ALU2003	1
6	1429168	FOTPLATE 19 VREG KORT HØ ALU2003	1
7	1429169	FOTPLATE 20 VREG KORT VE ALU2003	1
7	1429170	FOTPLATE 20 VREG KORT HØ ALU2003	1
8	1485428	(Footrest 12 Long, Le, "Alu2003")	1
8	1485429	(Footrest 12 Long, Ri, "Alu2003")	1
9	1429171	FOTPLATE 14 VREG LANG VE ALU2003	1
9	1429172	FOTPLATE 14 VREG LANG HØ ALU2003	1
10	1429173	FOTPLATE 16 ALU 2003 VREG LANG VE	1
10	1429174	FOTPLATE 16 ALU 2003 VREG LANG HØ	1
11	1429175	FOTPLATE 17 VREG LANG VE ALU2003	1
11	1429176	FOTPLATE 17 VREG LANG HØ ALU2003	1
12	1429177	FOTPLATE 18 VREG LANG VE ALU2003	1
12	1429178	FOTPLATE 18 VREG LANG VE ALU2003	1
13	1429179	FOTPLATE 19 VREG LANG VE ALU2003	1
13	1429180	FOTPLATE 186 VREG LANG HØ ALU2003	1
14	1429181	FOTPLATE 20 VREG LANG VE ALU2003	1
14	1429182	FOTPLATE 20 VREG LANG HØ ALU 2003	1
15	5106372	FOTPLATER ADAPT SB38	1
16	5106374	FOTBRETT KPL BR: 43 ADAPT 9 GR	1
17	5106375	FOTBRETT KPL BR: 46 ADAPT 9 GR	1

---

18	5106594	FOTPLATE 48 BELLIS AZAL/FOC 166	1
19	5106376	FOTPLATE 50 CM ADAPT	1
20	1434561-0010	INNERRØR BENSTØTTE KORTE AZALEA/BELLIS	1
21	1434563-0010	INNERRØR BENSTØTTE LANGE AZALEA/BELLIS	1
22	1430839	SKRUESETT FOR FOTPLATE ACTION 3	1
23	1430840	SKRUESETT FOR FOTPLATE SB48-60,5	1

# (Extender, footplate)

		
135mm 160mm	99-119mm 124-144mm	1 2

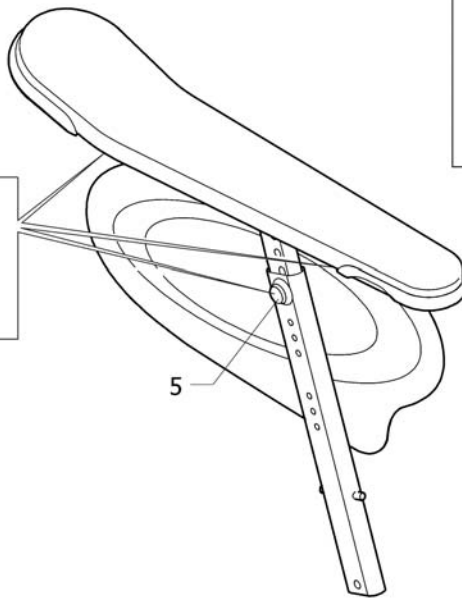
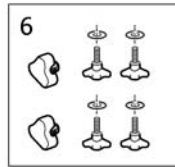
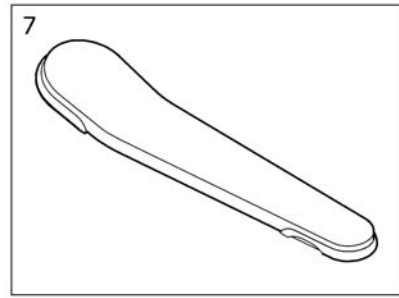
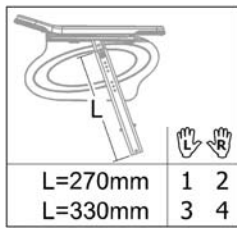


SP5255296

---

1	SP5255297	FOTPLATEFORENGER BREDDE 135 PAR	1
2	SP5255299	FOTPLATEFORENGER BREDDE 160 PAR	1



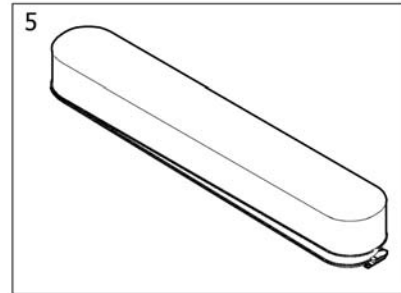
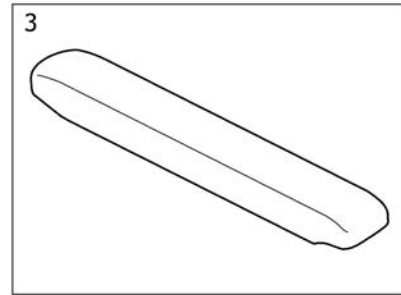
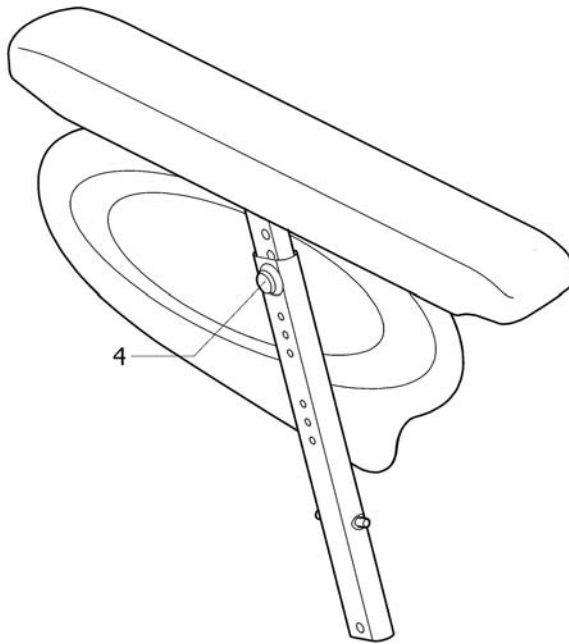


REACTIV

1	SP1570788	(ARMREST, DUCKTAIL, LH)	1
2	SP1570866	(ARMREST, DUCKTAIL, RH)	1
3	SP1584620	(Armrest Ducktail High, LH)	1
4	SP1584621	(Armrest Ducktail High, RH)	1
5	5106533	SKRUE SENK M6X12 10 9	1
6	SP1567515	HÅNDHJUL ARMLEN FOR REGULLERING UTEN VERKTØY	1
7	SP1451561	ARMLENSPOLSTER STK AZALEA 90X450	1

## (Armrest, Rio)

1 2

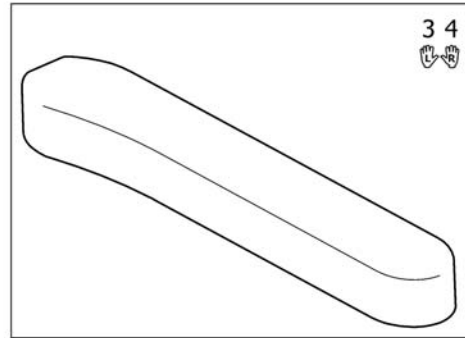
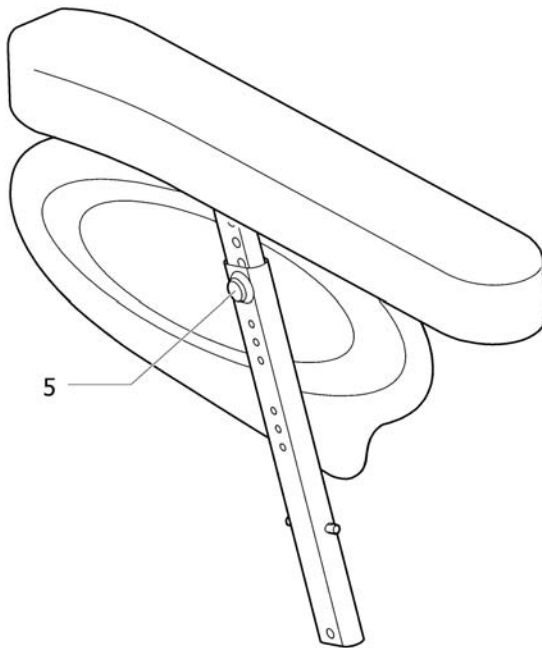


ARMRESTS/5

---

1	SP1570787	(ARMREST, RIO, LH)	1
2	SP1570865	(ARMREST, RIO, RH)	1
3	1508064	ARMLSPOLSTER RIO LANG	1
4	5106533	SKRUE SENK M6X12 10 9	1
5	SP1574609	OVERDRAG LANG ARMLEN SVART PLYSCH TR35	1

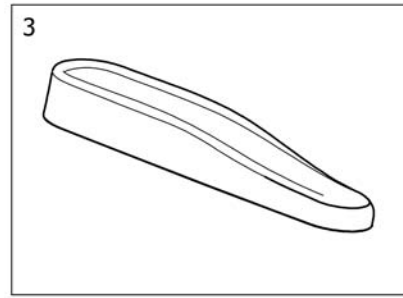
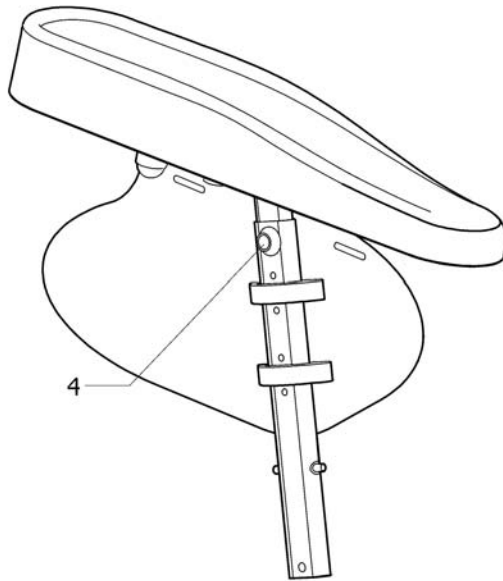
1 2  

SP1570789

1	SP1570789	(ARMREST, WIDE, LH)	1
2	SP1570867	(ARMREST, WIDE, RH)	1
3	1427171	ARMLSPOLSTER VE ASSIST	1
4	1427172	ARMLSPOLSTER HØ ASSIST	1
5	5106533	SKRUE SENK M6X12 10 9	1

# (Armrest, hemi)

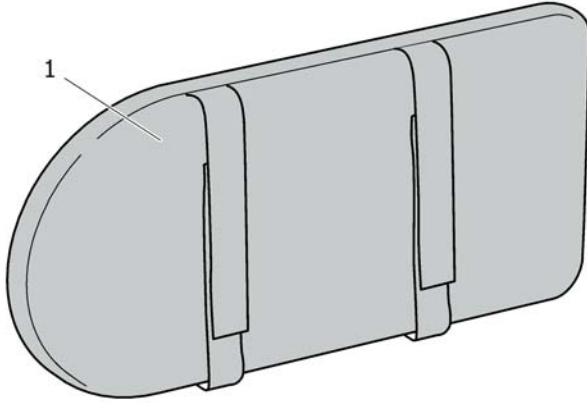


SP1570825

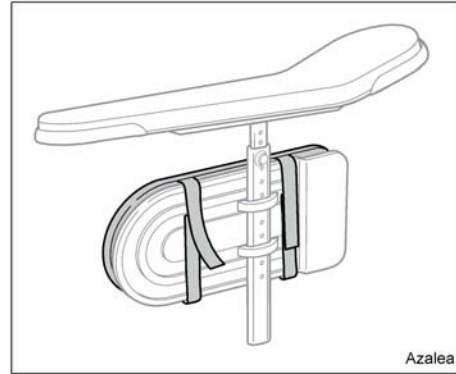
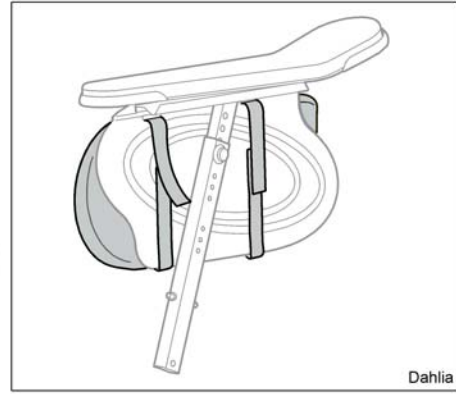
---

1	SP1570825	(ARMREST, HEMI, LH)	1
2	SP1570868	(ARMREST, HEMI, RH)	1
3	1493251	ARMSTØTTE OVERDEL HEMI REA AZALEA	1
4	5106533	SKRUE SENK M6X12 10 9	1

**(Pad, siderest)**



SP1563943



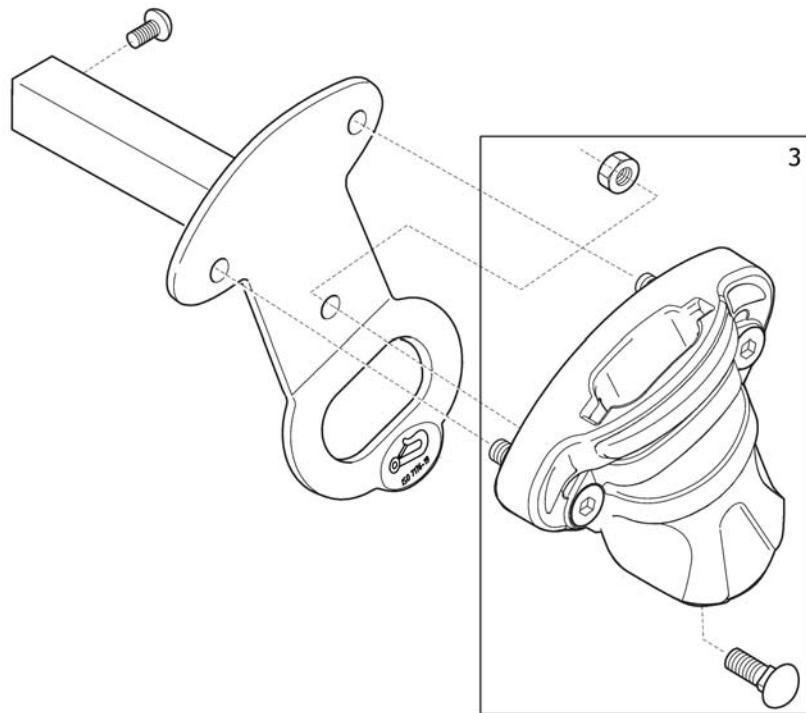
1 SP1563943

POLSTER FOR KLESBESKYTTER

1

## (Armrest attachment)

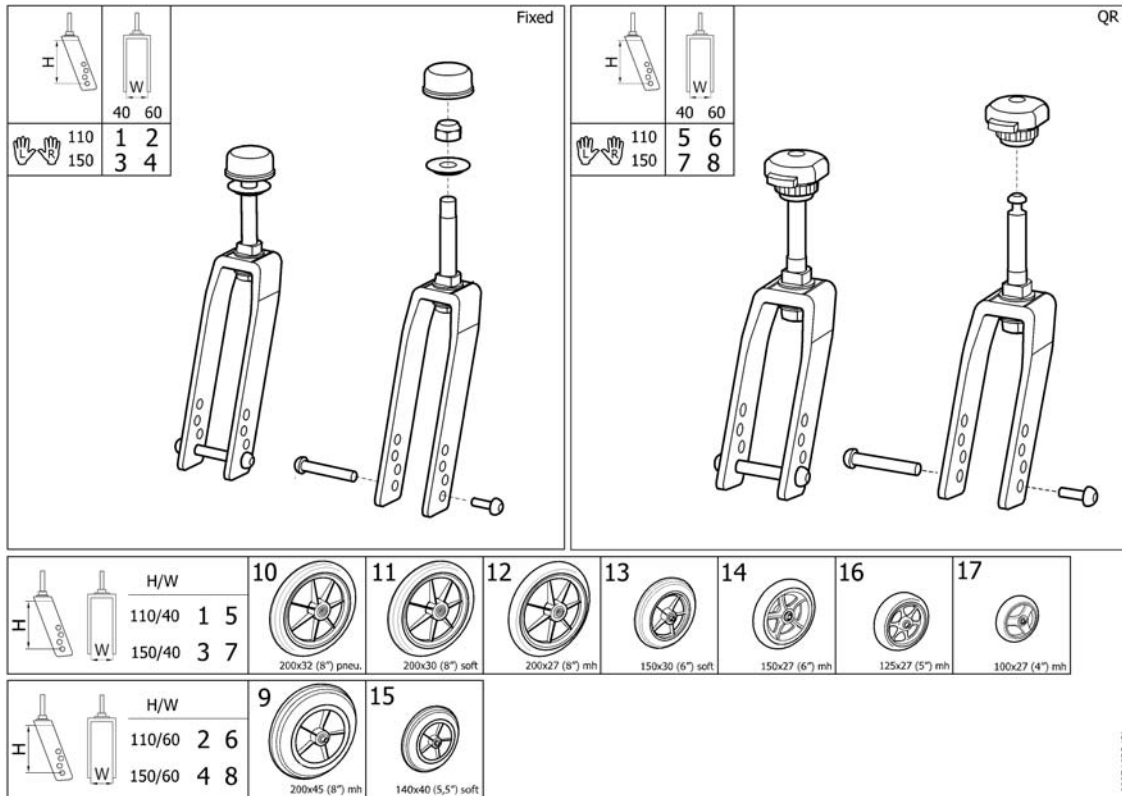
1 2  
👉 👈



SP1572773

---

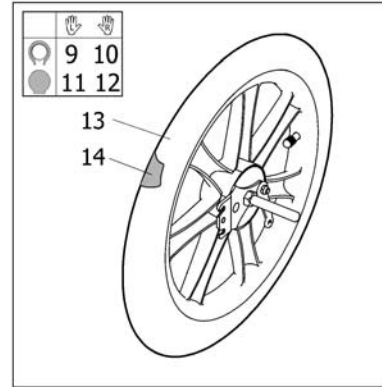
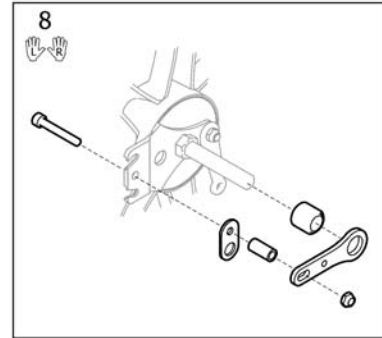
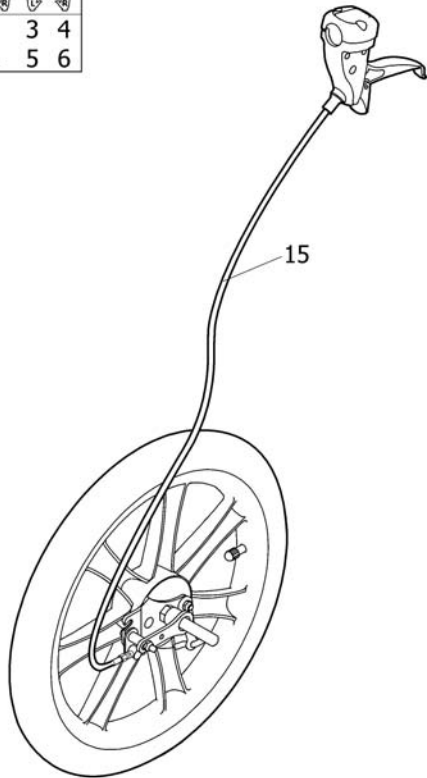
1	SP1572773	(Armrest attachment, left, with transportation bracket, cpl.)	1
2	SP1572774	(Armrest attachment, right, with transportation bracket, cpl.)	1
3	SP1574837	(Armrest holder cpl.)	1
4	SP1562306	(Armrest attachment, left, with transportation bracket)	1
5	SP1562307	(Armrest attachment, right, with transportation bracket)	1
6	SP1577120	(Armrest attachment, left, cpl.)	1
7	SP1577121	(Armrest attachment, right, cpl.)	1
9	SP1577118	(Armrest attachment, left)	1
10	SP1577119	(Armrest attachment, right)	1



15P1517289

1	SP1571037	(FORK 110 NARROW FIXED CPL.)	1
2	SP1571038	(FORK 110 WIDE FIXED CPL.)	1
3	SP1571086	(FORK 150 NARROW FIXED CPL.)	1
4	SP1571087	(FORK 150 WIDE FIXED CPL.)	1
5	SP1572859	(FORK 110 NARROW QR CPL.)	1
6	SP1572860	(FORK 110 WIDE QR CPL.)	1
7	SP1572861	(FORK 150 NARROW QR CPL.)	1
8	SP1572862	(FORK 150 WIDE QR CPL.)	1
9	1418196	SVINGHJUL MEDIUM HARD 200*45(8")BORA BELLIS	1
10	5322005	SVINGHJUL 8(200)LUFT	1
11	5750800	SVINGHJUL 8 SOFT	1
12	5322004	SVINGHJUL 8(200)X 27 MH REA.ASSISI,AZALEA	1
13	5750806	SVINGHJUL 6 SOFT	1
14	1555797	SVINGHJUL 6(150X30) MEDIUM HARD REA	1
15	SP1601613	(CASTOR 140x40 (5,5") SOFT)	1
16	1491228	SVINGHJUL 5(125)x27 MH	1
17	5750890	SVINGHJUL 4(100)X27 MH REA	1

# (Wheels 16")

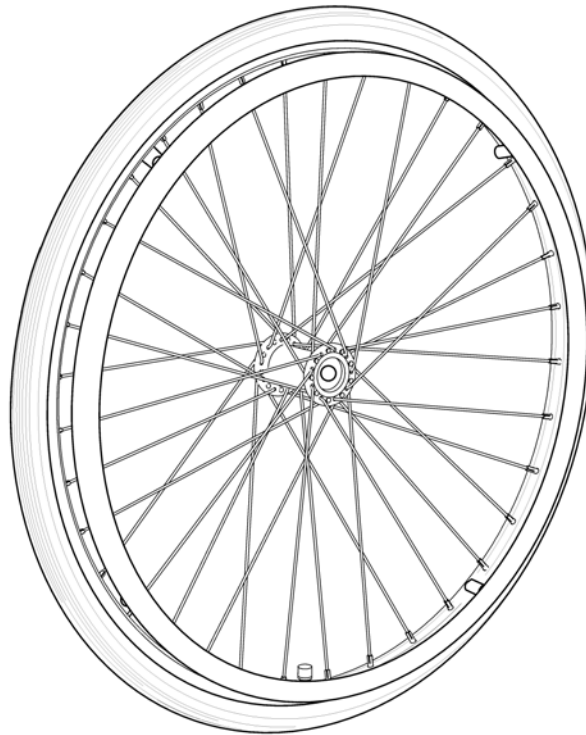


SP1572954

1	SP1572620	(WHEEL 16" DRUMBRAKE PNEU PAIR)	1
2	SP1572621	(WHEEL 16" DRUMBRAKE SOLID PAIR)	1
3	SP1572957	(WHEEL 16" DRUMBRAKE PNEU, LE INCL. CABLE ASSY.)	1
4	SP1572956	(WHEEL 16" DRUMBRAKE PNEU, RI INCL. CABLE ASSY.)	1
5	SP1574587	(WHEEL 16" DRUMBRAKE LH SOLID)	1
6	SP1574586	(WHEEL 16" DRUMBRAKE RH SOLID)	1
7	1536764	ETIKETTER, KABLER, BROMS	1
8	SP1574878	(Brake attachment kit, Pair)	1
9	1537134	(WHEEL 16" PNEU DB LEFT)	1
10	1537133	(WHEEL 16" PNEU DB RIGHT)	1
11	1537136	(WHEEL 16" SOLID DB LEFT)	1
12	1537135	(WHEEL 16" SOLID DB RIGHT)	1
13	1440029	(Tyre 16"x1,75 Pneu)	1
14	5750778	SLANGE 16" x 1,75	1
15	1527425	BREMESWIRE KPL L=1235 UTEN TROMMELBR AZALEA	1



24"



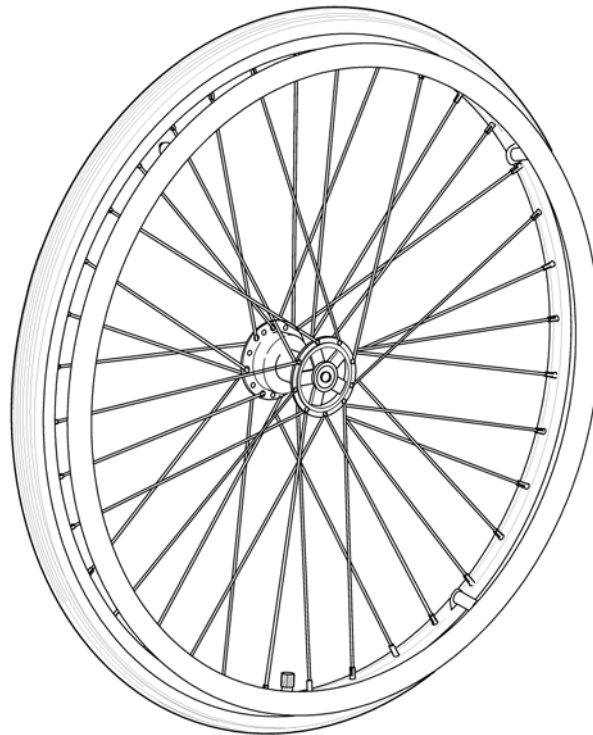
---

1	1498423	(24" x 1.3/8" wheel,spoked,anodized handrim,pneumatic)	1
2	1498263	DRIVHJUL 24 MASSIV MED ALU DRIVRING	1

(Rea® Dahlia) | (Rear wheels)

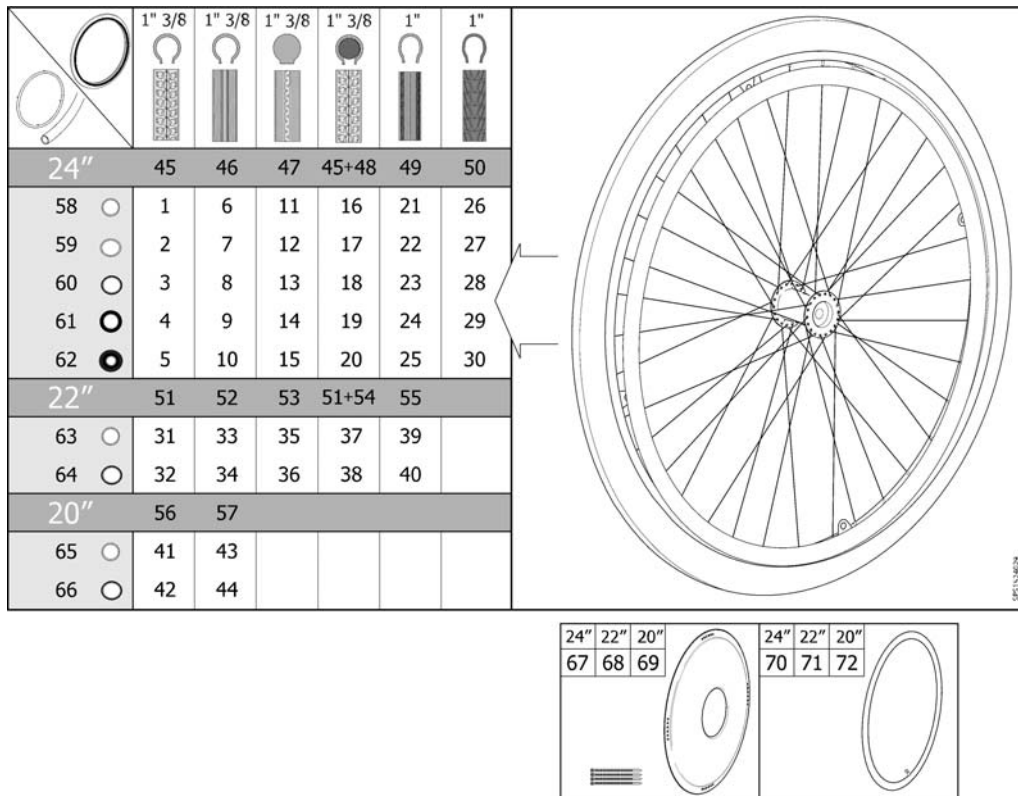
## (Wheels 24" Basic DB)

24" DB



---

1	1492644	DRIVHJUL 24 BASIC TROMME LBREMS LUFTFYLT MØNSTRET	1
2	1492645	DRIVHJUL 24 LED B MASSIV 21 AL BASIC	1



1	1524030	DRIVHJUL 24 LUFTFYLT MØN STRET DRIVRING ALU	1
2	1524186	DRIVHJUL 24 LUFTFYLT MØN DRIVRING PLASTBELA	1
3	1530764	DRIVHJUL 24 LUFTFYLT MØN STRET DRIVRING RUSTFRI	1
4	1531508	DRIVHJUL 24 LUFTFYLT MØN STRET DRIVRING SKUMBELAG	1
5	1531563	DRIVHJUL 24 LUFTFYLT MØN STRET DRIVRING BLACKGRIP	1
6	1524029	DRIVHJUL 24 LUFTFYLT NON MARKING DRIVRING ALU	1
7	1524163	DRIVHJUL 24 LUFTFYLT NON MARKING DRIVRING PLASTB	1
8	1530763	DRIVHJUL 24 LUFTFYLT NON MARKING DRIVRING RUSTFR	1
9	1531462	DRIVHJUL 24 LUFTFYLT NON MARK DRIVRING SKUM	1
10	1531538	DRIVHJUL 24 LUFTFYLT NON MARKING DRIVRING BLACKG	1
11	1524050	DRIVHJUL 24 MASSIV DRIVR ING ALU	1
12	1524188	DRIVHJUL 24 MASSIV DRIVR ING PLASTBELAGT	1
13	1530762	DRIVHJUL 24" STÅL DRIVRING	1
14	1531531	DRIVHJUL 24 MASSIV DRIVR ING SKUMBELAGT	1
15	1531564	DRIVHJUL 24 MASSIV DRIVR ING BLACKGRIP	1
16	1524150	DRIVHJUL 24 PUNKTERINGSF RI DRIVRING ALU	1
17	1524189	DRIVHJUL 24 PUNKTERINGSF RI DRIVRING PLASTBELAGT	1
18	1531129	DRIVHJUL 24 PUNKTERINGSF RI DRIVRING RUSTFRI	1
19	1531532	DRIVHJUL 24 PUNKTERINGSF RI DRIVRING SKUMBELAGT	1
20	1531565	DRIVHJUL 24 PUNKTERINGSF RI DRIVRING BLACKGRIP	1
21	1524049	DRIVHJUL 24 LAVPROFIL DR IVRING ALU	1
22	1524187	DRIVHJUL 24 LAVPROFIL DR IVRING PLASTBELAGT	1
23	1531063	DRIVHJUL 24 LAVPROFIL DR IVRING RUSTFRI	1
24	1531533	DRIVHJUL 24 LAVPROFIL DR IVRING SKUMBELAGT	1
25	1531566	DRIVHJUL 24 LAVPROFIL DR IVRING BLACKGRIP	1
26	1532143	DRIVHJUL 24 SORT MARATHO N DRIVRING ALU.	1
27	1532183	DRIVHJUL 24 SORT MARATHO N DRIVRING PLASTBELAGT	1
28	1532144	DRIVHJUL 24 SORT MARATHO N DRIVRING RUSTFRI	1
29	1532184	DRIVHJUL 24 SORT MARATHO N DRIVRING FOAM	1
30	1532185	DRIVHJUL 24 SORT MARATHO N DRIVRING BLACKGRIP	1
31	1523949	DRIVHJUL 22 LUFTFYLT MØN STRET DRIVRING ALU	1

## (Wheel 24-22-20")

32	1524024	DRIVHJUL 22 LUFTFYLT MØN STRET DRIVRING PLASTBELA	1
33	1523948	DRIVHJUL 22 LUFTFYLT NON MARKING DRIVRING ALU	1
34	1524023	DRIVHJUL 22 LUFTFYLT NON MARKING DRIVRING PLASTB	1
35	1524021	DRIVHJUL 22 MASSIV 19 ALU STD2010	1
36	1524027	DRIVHJUL 22 MASSIV DRIVR ING PLASTBELAGT	1
37	1524022	DRIVHJUL 22 PUNKTFRI DRI VRING ALU	1
38	1524028	DRIVHJUL 22 PUNKTFRI DRI VRING PLASTBELAGT	1
39	1524020	DRIVHJUL 22 LAVPROFIL DR IVRING ALU	1
40	1524026	DRIVHJUL 22 LAVPROFIL DR IVRING PLASTBELAGT	1
41	1523944	DRIVHJUL 20 LUFTFYLT MØN STRET DRIVRING ALU	1
42	1523945	DRIVHJUL 20 LUFTFYLT MØN STRET DRIVRING PLASTBELA	1
43	1523885	DRIVHJUL 20 LUFTFYLT NON MARKING DRIVRING ALU	1
44	1523902	DRIVHJUL 20 LUFTFYLT NON MARKING DRIVRING PLASTB	1
45	5750019	DEKK 24x1/3/8 GROVMØNSTRET	1
46	5750014	DEKK 24 FISKEBEN STK SPINNERREASPIREA *BEST	1
47	5750015	DEKK 24X 1 3/8 MASSIVE REA	1
48	5207046	SLANGE 24 X1 3/8 FLEX BE BLLIS/AZAL/FOC/WHEELER	1
49	5750160	DEKK 24 X 1 FISKEBEN 25-540 REA	1
50	1512742	(Tyre 24"x1" (25-540), Black Marathon)	1
51	1531455	(Tyre 22"x1 3/8" (37-501) Profiled)	1
52	1531456	(Pneumatic tyre, 22" x 1", HP, non marking)	1
53	5750172	DEKK 22 MASSIVE REA	1
54	5750732	SLANGE 22 FLEX	1
55	1531454	(Tyre 22"x1" (25-501) Low Profile)	1
56	5750017	(Tyre 20"x1 3/8", Profiled)	1
57	5750012	DEKK 20"FISKEBENS MØNSTER ZOOM	1
58	1531577	DRIVRING ALU KPL 24 HJUL	1
59	1531578	DRIVRING PLASTBELAGT KPL 24 HJUL	1
60	1531305	DRIVRING RUSTFRI 24 HJUL KPL	1
61	1531459	DRIVRING SKUMBELAGT	1
62	1531460	DRIVR 21 BLACK GRIP M 4 FESTER GUMMIERT	1
63	1531579	DRIVRING ALU KPL 22 HJUL	1
64	1531580	DRIVRING 22 PLASTBELAGT KPL REA	1
65	1530271	DRIVRING ALU 20 HJUL KPL	1
66	1530272	DRIVRING PLASTBELAGT 20 HJUL KPL	1
67	5102807	EIKEBESKYTTER 24 FROST	1
68	5102800	EIKEBESKYTTER 22 FROST	1
69	5102795	EIKEBESKYTTER 20 FROST	1
70	5750036	SLANGE 24 X 1 3/8 ALLE STOLER	1
70	5750161	SLANGE 24 X 1 BILV	1
71	5750035	SLANGE 22	1
72	5750034	SLANGE 20 DRIVHJUL	1

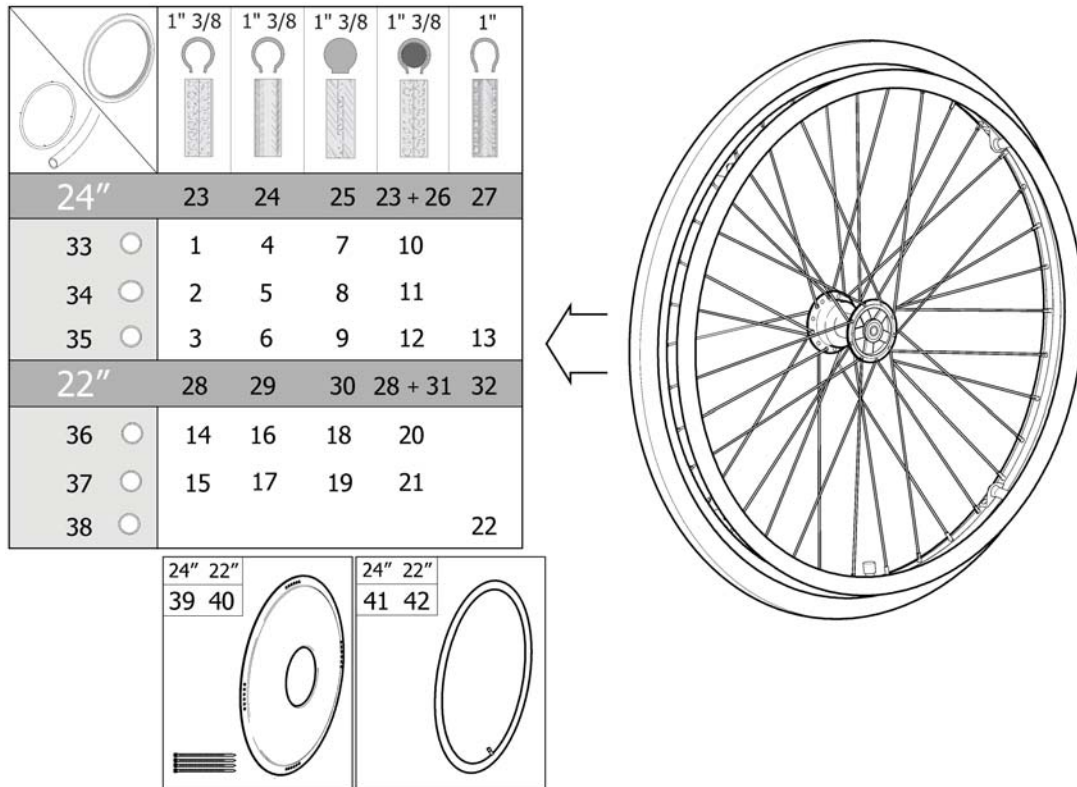
## DRIVRING RUSTFRI 24 HJUL KPL

---

3854	1528924	()	4
3854	1529757	(Handrim Stainless, 24" Wheel, Std2010)	1
3854	1531457	(Spacer 22mm, Handrim)	4
3854	1531458	(Spacer 5mm, Handrim)	4

(Rea® Dahlia) | (Rear wheels)

## (Wheel 24-22" DB)

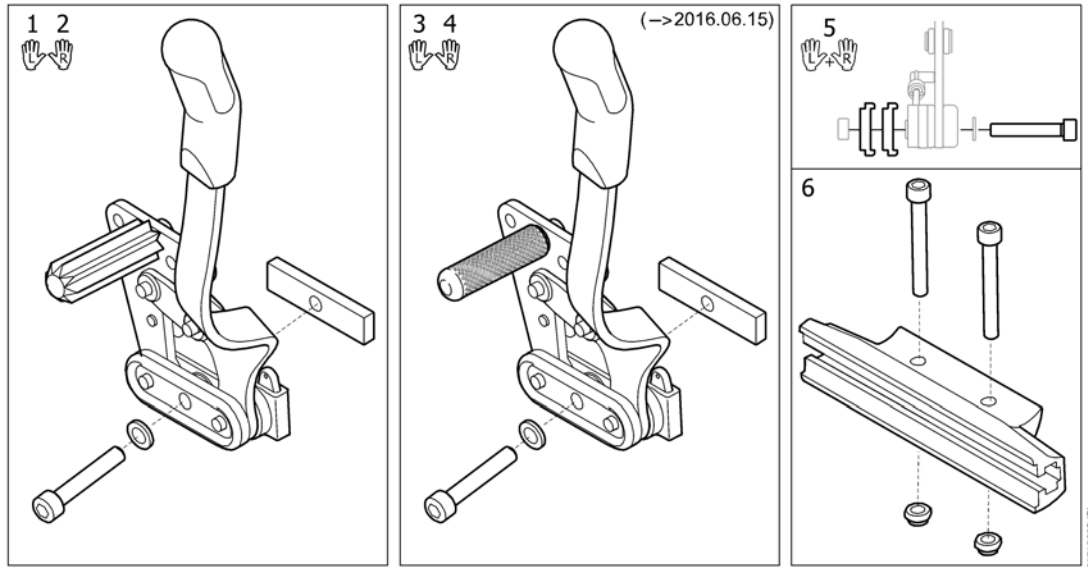


1	1524437	DRIVHJUL 24 TROMMELBREMS LUFT MØNSTRET DRIVR ALU	1
2	1524514	DRIVHJUL 24 TROMMELBREMS LUFT MØNSTR DRIVR PLASTB	1
3	1531080	(Wheel 24" Db Pneu. Profiled + Handrim, Stainless, Std2010)	1
4	1524436	DRIVHJUL 24 TROMMELBREMS LUFT NON MARK DRIV ALU	1
5	1524513	DRIVHJUL 24 TROMMELBREMS LUFT NON MARK DRIV ALU	1
6	1531064	(Wheel 24" Db Pneu. Non-Marking + Handrim, Stainless, Std2010)	1
7	1524447	DRIVHJUL 24 TROMMELBREMS MASSIV DRIVRING ALU	1
8	1524515	DRIVHJUL 24 TROMMELBREMS MASSIV DRIVRING PLASTBE	1
9	1531127	(Wheel 24" Db Solid + Handrim, Stainless, Std2010)	1
10	1524512	DRIVHJUL 24 TROMMELBREMS PUNKTFRI DRIVRING ALU	1
11	1524516	DRIVHJUL 24 TROMMELBREMS PUNKTERINGSFRI DRIVRING	1
12	1531128	(Wheel 24" Db Punctureproof + Handrim, Stainless, Std2010)	1
13	1536613	(Wheel 24x1" Db Low Profile + Handrim, Stainless, Std2010)	1
14	1524290	DRIVHJUL 22 TROMMELBREMS LUFT MØNSTRET DRIVR ALU	1
15	1524361	DRIVHJUL 22 TROMMELBREMS LUFT MØNST DRIVR ALU	1
16	1524289	DRIVHJUL 22 TROMMELBREMS LUFT NON MARK DRIV ALU	1
17	1524337	DRIVHJUL 22 TROMMELBREMS LUFT NON MARK DRIV PLAST	1
18	1524291	DRIVHJUL 22 TROMMELBREMS MASSIV DRIVRING ALU	1
19	1524388	DRIVHJUL 22 TROMMELBREMS MASSIVE DEKK DRIVR PLAST	1
20	1524292	DRIVHJUL 22 TROMMELBREMS PUNKTFRI DRIVRING ALU	1
21	1524435	DRIVHJUL 22 TROMMELBREMS PUNKTFRI DRIVRING PLAST	1
22	1536612	(Wheel 22x1" Db Low Profile + Handrim, Stainless, Std2010)	1
23	5750019	DEKK 24x1 3/8 GROVMØNSTRET	1
24	5750014	DEKK 24 FISKEBEN STK SPINNERREASPIREA *BEST	1
25	5750015	DEKK 24X 1 3/8 MASSIVE REA	1
26	5207046	SLANGE 24 X1 3/8 FLEX BE BLLIS/AZAL/FOC/WHEELER	1
27	5750160	DEKK 24 X 1 FISKEBEN 25-540 REA	1
28	1531455	(Tyre 22"x1 3/8" (37-501) Profiled)	1
29	1531456	(Pneumatic tyre, 22" x 1", HP, non marking)	1
30	5750172	DEKK 22 MASSIVE REA	1
31	5750732	SLANGE 22 FLEX	1

---

32	1531454	(Tyre 22"x1" (25-501) Low Profile)	1
33	1531577	DRIVRING ALU KPL 24 HJUL	1
34	1531578	DRIVRING PLASTBELAGT KPL 24 HJUL	1
35	1531305	DRIVRING RUSTFRI 24 HJUL KPL	1
36	1531579	DRIVRING ALU KPL 22 HJUL	1
37	1531580	DRIVRING 22 PLASTBELAGT KPL REA	1
38	1536546	(Handrim, Stainless Cpl, 22" Wheel, Std2010)	1
39	5102807	EIKEBESKYTTER 24 FROST	1
40	5102800	EIKEBESKYTTER 22 FROST	1
41	5750036	SLANGE 24 X 1 3/8 ALLE STOLER	1
42	5750035	SLANGE 22	1

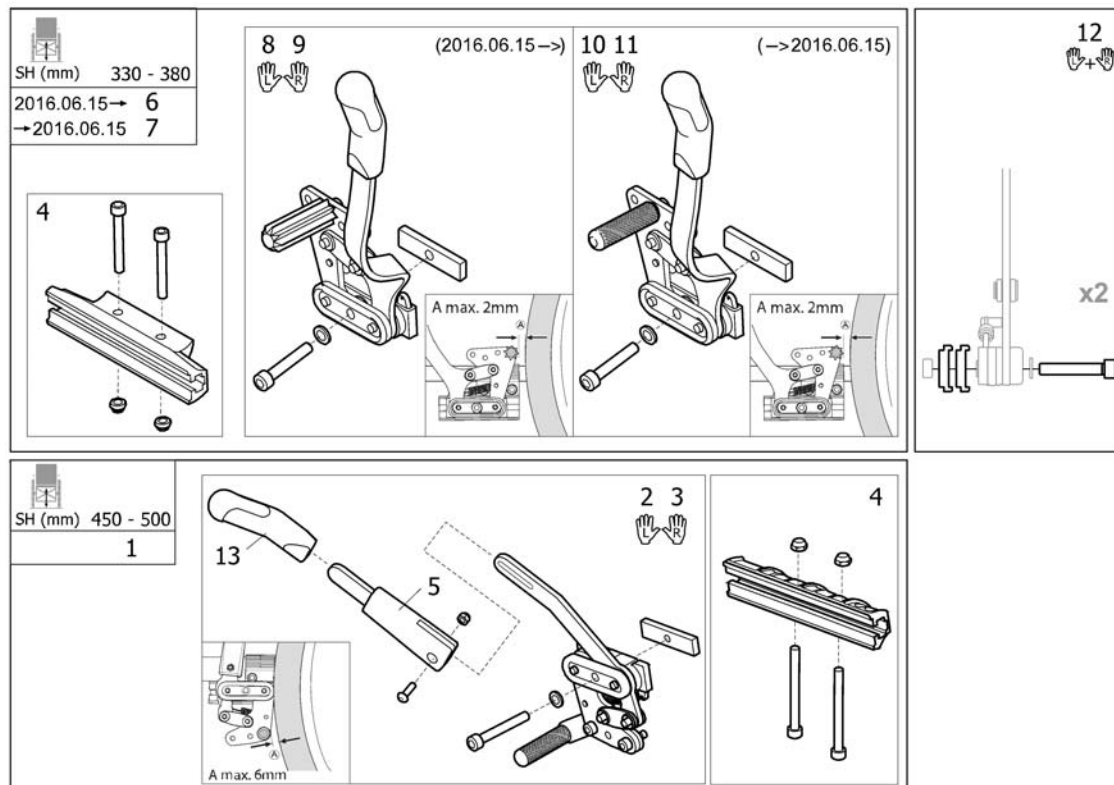
## (Brake, user manoeuvred 20-24" wheel)



---

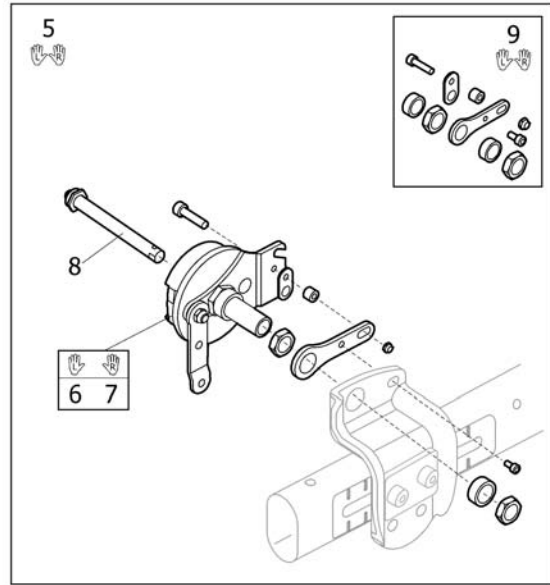
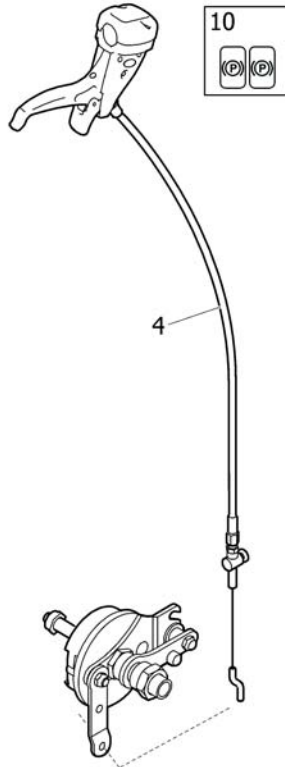
1	SP1588568	(BRAKE, BENT LEVER, LEFT)	1
2	SP1588567	(BRAKE, BENT LEVER, RIGHT)	1
3	1508981	BREMS KPL BØYD SPAK VE AZALEA MINOR/AZALEA BASE	1
4	1508980	BREMS KPL BØYD SPAK HØ AZALEA	1
5	5207648	(WIDTH EXT 10MM, BRAKE)	1
6	SP1578224	(Brake attachment cpl.)	1



**(Brake, user manoevered 16" wheel)**

1	SP1580614	(Brake, user manoevered, pair cpl. 16" wheel)	1
2	SP1446117	(Brake left, cpl.)	1
3	SP1446118	(Brake right, cpl.)	1
4	SP1578224	(Brake attachment cpl.)	1
5	SP5203340	(Brake arm extension, cpl.)	1
6	SP1601612	(BRAKE, USER MAN., PAIR, 16" WHEEL)	1
7	SP1581134	(Brake, user man., pair, 16" wheel (->2016.06.15)) <i>Used until 2016-06-15. Replaced by SP1603593</i>	1
8	SP1588568	(BRAKE, BENT LEVER, LEFT)	1
9	SP1588567	(BRAKE, BENT LEVER, RIGHT)	1
10	1508981	BREMS KPL BØYD SPAK VE AZALEA MINOR/AZALEA BASE	1
11	1508980	BREMS KPL BØYD SPAK HØ AZALEA	1
12	5207648	(WIDTH EXT 10MM, BRAKE)	1
13	SP5221280	BREMSESPAKHÅNDTAK PLAST STK	1

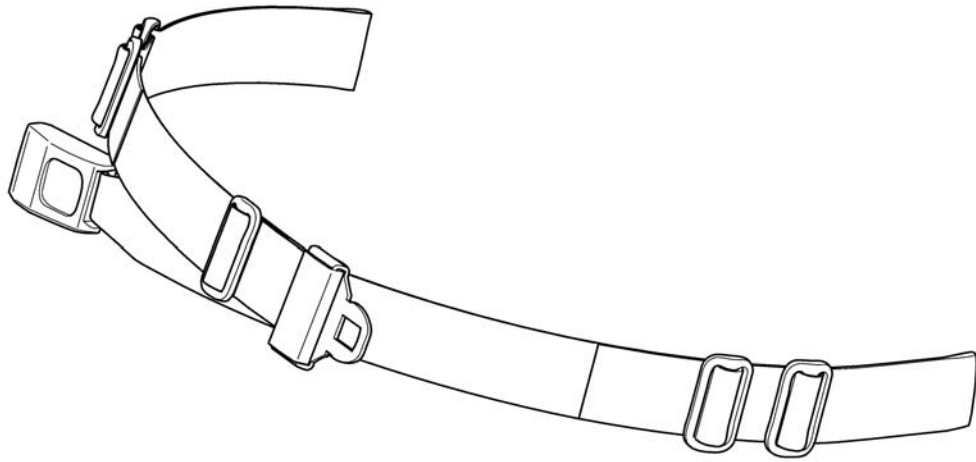
## (Drumbrake, assistant manouvered)



MRECELSA®

1	SP1570973	(BRAKE KIT CPL, DB, PAIR)	1
2	SP1573084	(BRAKE KIT CPL, DB, LH)	1
3	SP1573083	(BRAKE KIT CPL, DB, RH)	1
4	SP1527425	BREMESWIRE KPL L=1235 UTEN TROMMELBR AZALEA	1
5	SP1574884	(Brake kit db, pair)	1
6	1536253	(DRUMBRAKE UNIT, LEFT, MBL)	1
7	1536252	(DRUMBRAKE UNIT, RIGHT, MBL)	1
8	5750192	DRIVHJULSAKSEL QR STK FOR LEDSAGERBREMS REA	1
9	SP1603591	(Brake attachment kit, Pair)	1
10	1536764	ETIKETTER, KABLER, BROMS	1

1



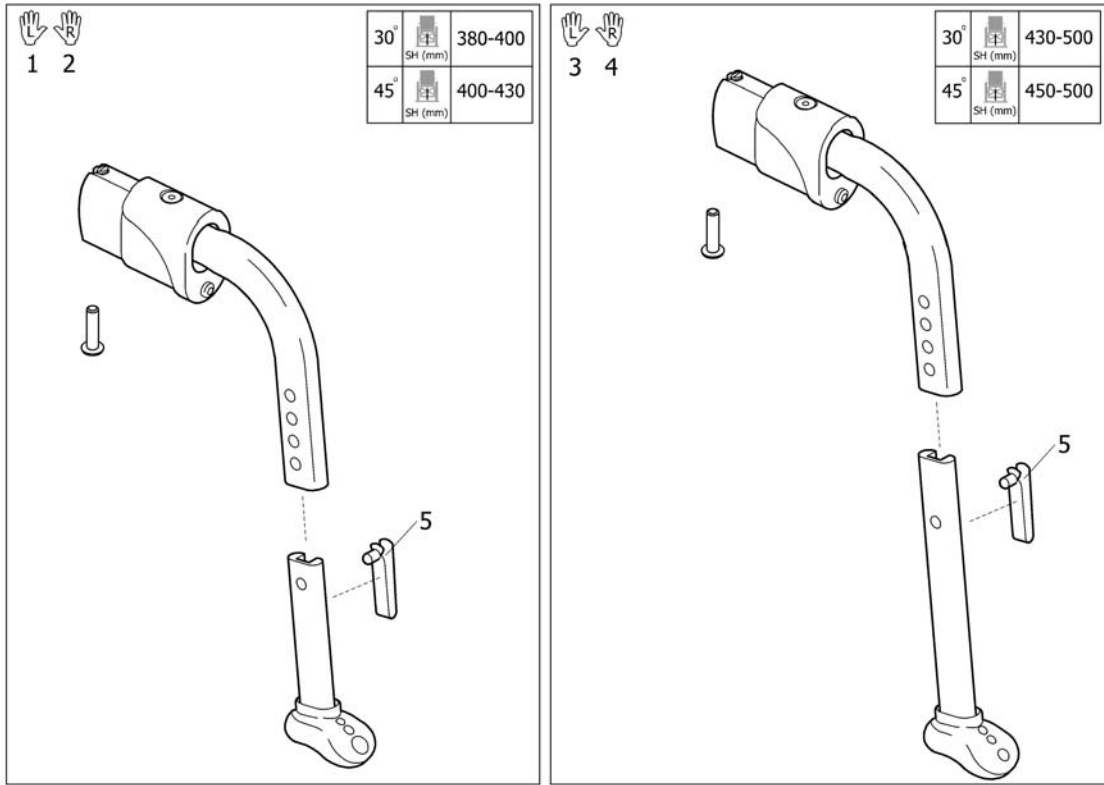
1551066

1 1551066

HOFTEBELTE ASSIST,AZALEA BELLIS,CLEMATIS,XLT

1

# (Anti-tip device)

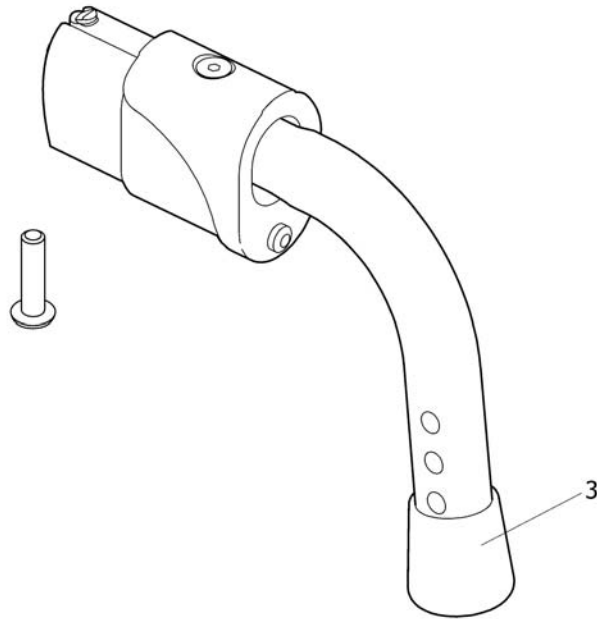


1	SP1570634	(Anti-tip device, short left)	1
2	SP1570635	(Anti-tip device, short right)	1
3	SP1568300	(Anti-tip device cpl, left)	1
4	SP1568299	(Anti-tip device cpl, right)	1
5	1560734	SNAP BUTTON FOR ARMLEN AZALEA	1

(Rea® Dahlia) | (Safety Options)  
**(Anti-tip device, extra low)**



30°	 SH (mm)	330-350
45°	 SH (mm)	350-380



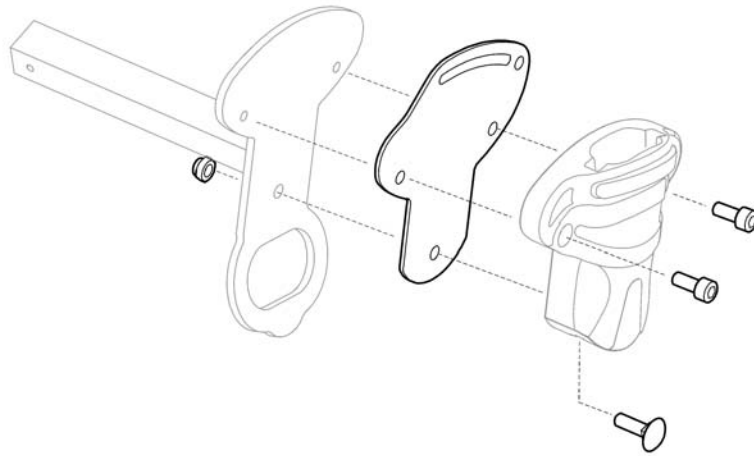
SP1571755

---

1	SP1571755	(Extra low anti-tip device cpl, left)	1
2	SP1571756	(Extra low anti-tip device cpl, right)	1
3	5716493	DOPPSKO F TIPPESIKRING REA LX	1

## (Positioning belt attachment)

1  
🔍



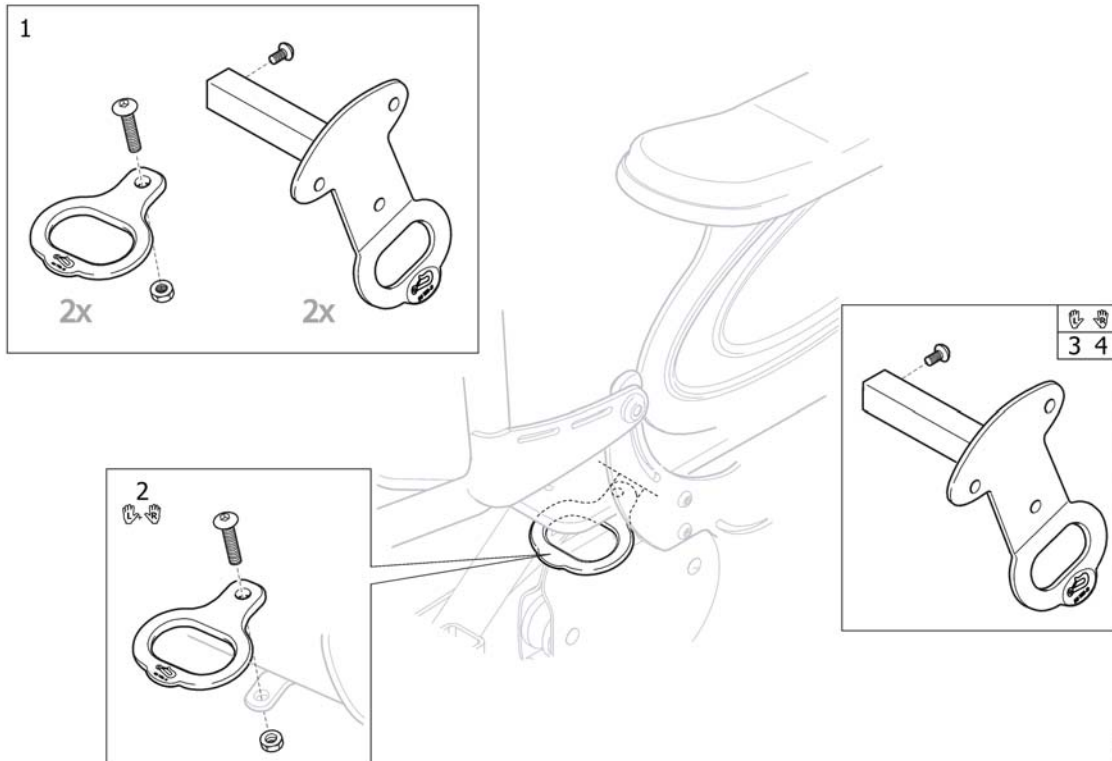
SPS1570882

1 SPS1570882

(Positioning belt attachment, pair)

1

# (Transportation brackets)

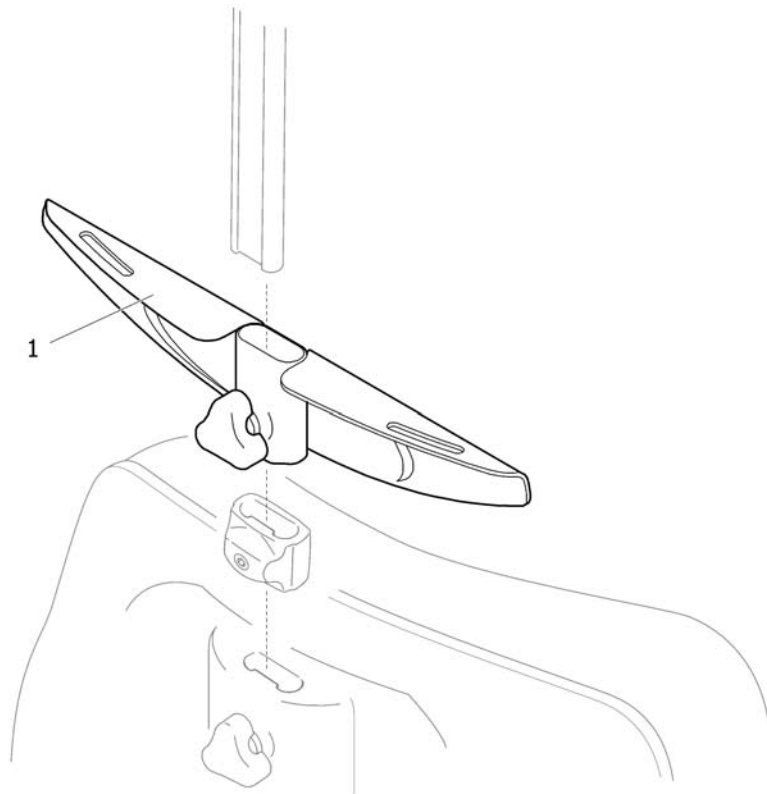


SP1570884

---

1	SP1570883	(Transportation kit, cpl.)	1
2	SP1570884	(Transportation brackets, pair)	1
3	SP1562306	(Armrest attachment, left, with transportation bracket)	1
4	SP1562307	(Armrest attachment, right, with transportation bracket)	1

# (Attachment, X-harness, Flex3)

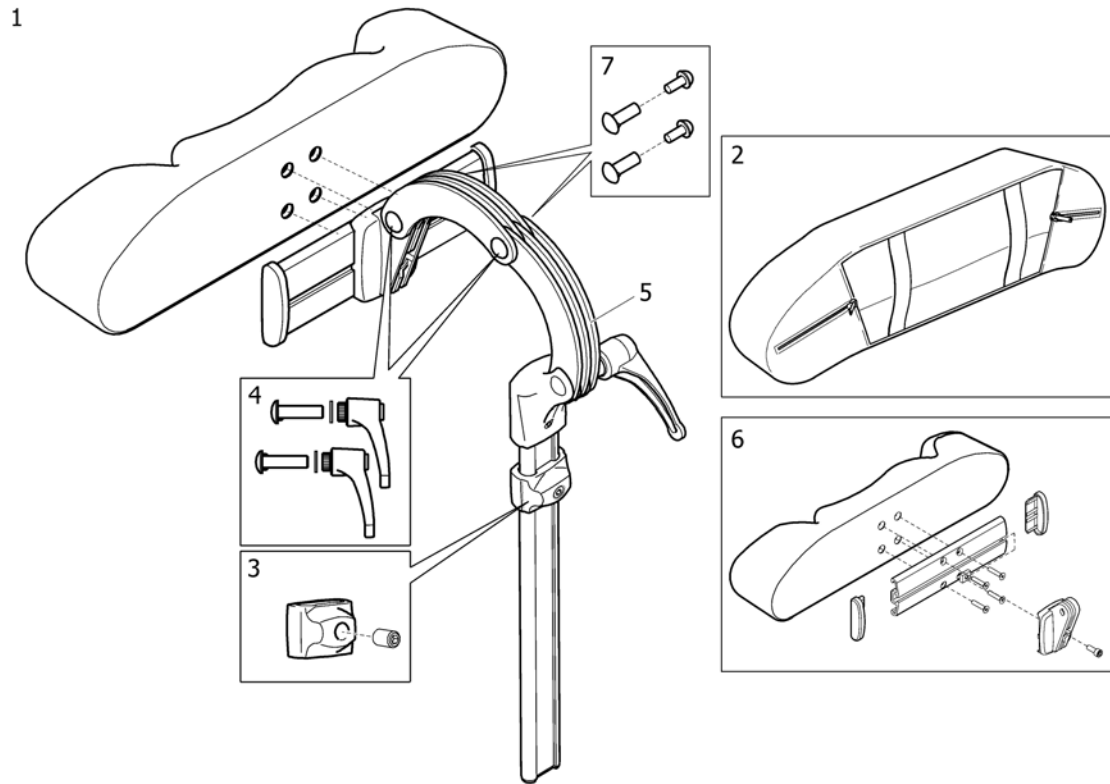


1 SP1559963

MONTERINGSBESLAG H-SELE FLEX3

1

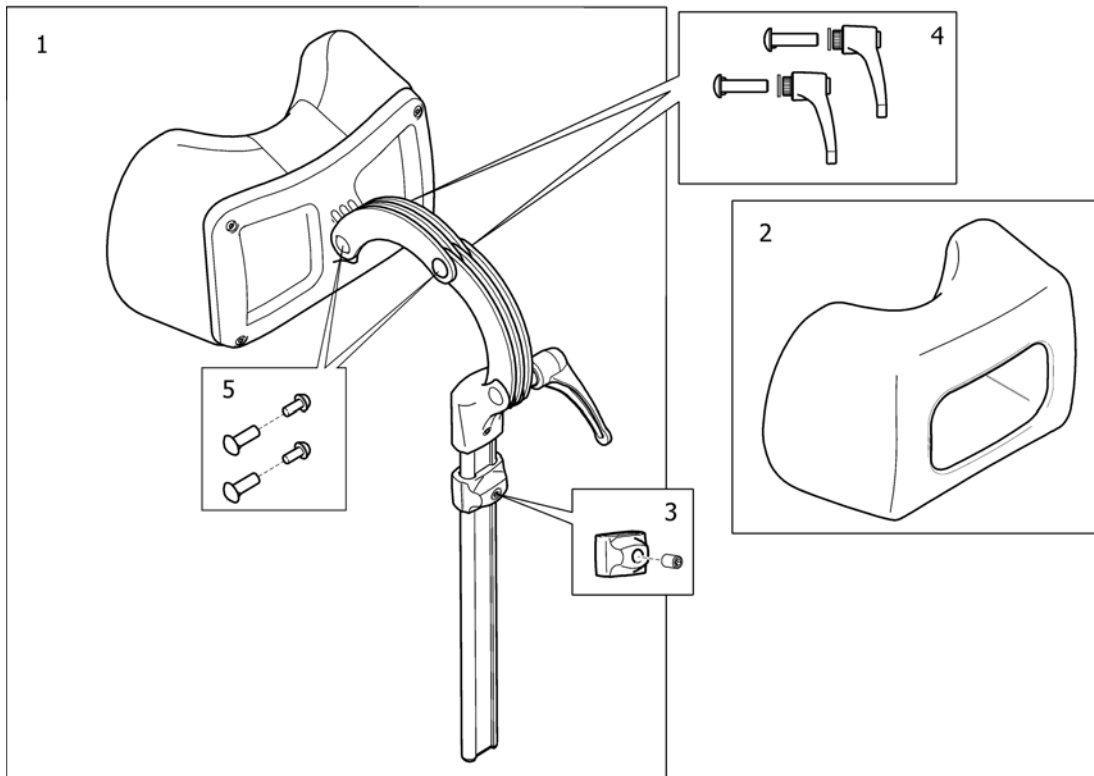




SP144659

1	1446559	HODESTØTTE MULTI KPL TR26 MED SIDEFORFLYTNING	1
2	1518516	TREKK HODESTØTTE AZALEA BELLIS TR34	1
3	SP1448661	(Memory, neck/headrest)	1
4	1445693	HÅNDTAK KLINIK SETT HODESTØTTE	1
5	1485538	FESTE HODESTØTTE STORM4	1
6	1530755	(HEADREST CUSHION CPL)	1
7	SP1572769	(FASTENERS KIT, HEAD- & NECKREST)	1

## (Neckrest)

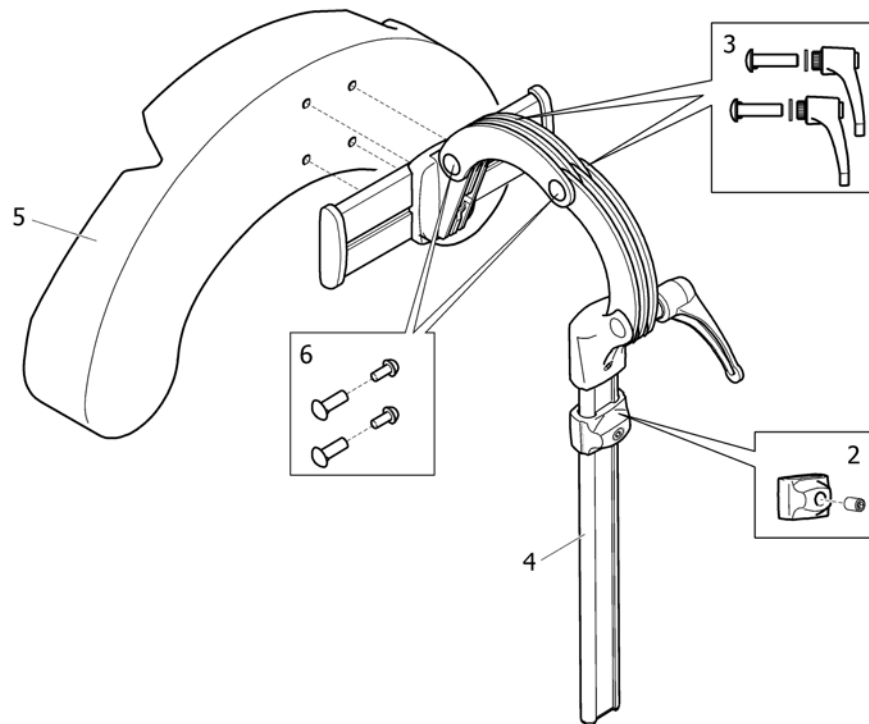


SP150848

1	1508848	HODESTØTTE STD KPL SVART DARTEX	1
2	1518517	TREKK NAKKESTØTTE AZALEA BELLIS TR34	1
3	SP1448661	(Memory, neck/headrest)	1
4	1445693	HÅNDTAK KLINIK SETT HODESTØTTE	1
5	SP1572769	(FASTENERS KIT, HEAD- & NECKREST)	1

## (Cheek support)

1

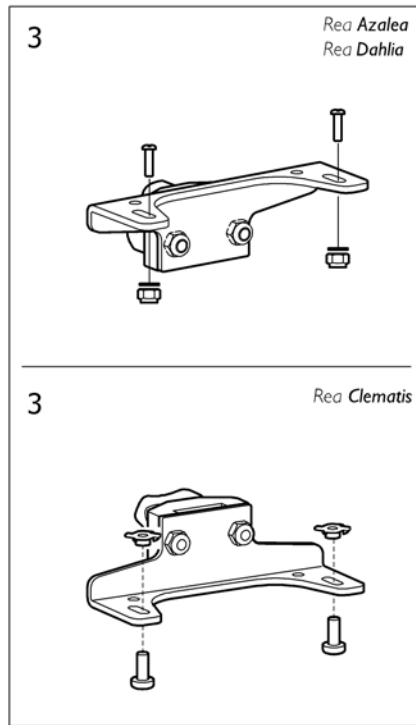
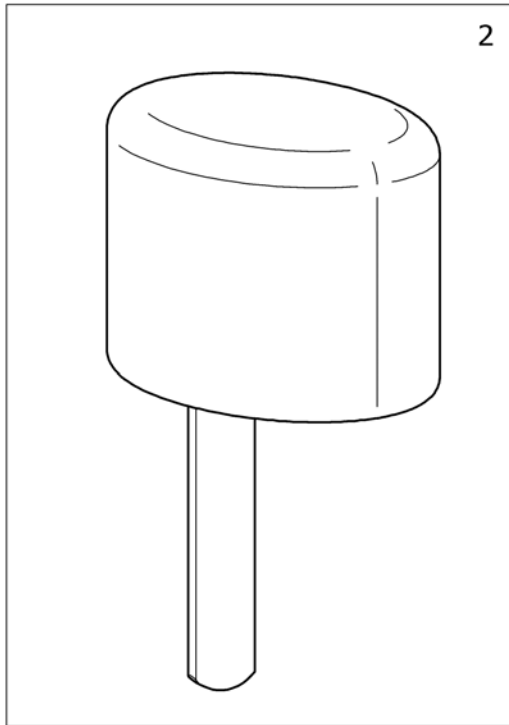


SP1446560

1	SP1446560	HODE KINN STØTTE KPL TR26 M SIDEFORFLYTNING	1
2	1448661	STOPPER FOR HREG NAKKE OG HODEST REA M SKRUE	1
2	SP1448661	(Memory, neck/headrest)	1
3	1445693	HÅNDTAK KLINIK SETT HODESTØTTE	1
4	1485538	FESTE HODESTØTTE STORM4	1
5	1444304	PUTE HAKESTØTTE BELLIS/A ZALEA	1
6	SP1572769	(FASTENERS KIT, HEAD- & NECKREST)	1

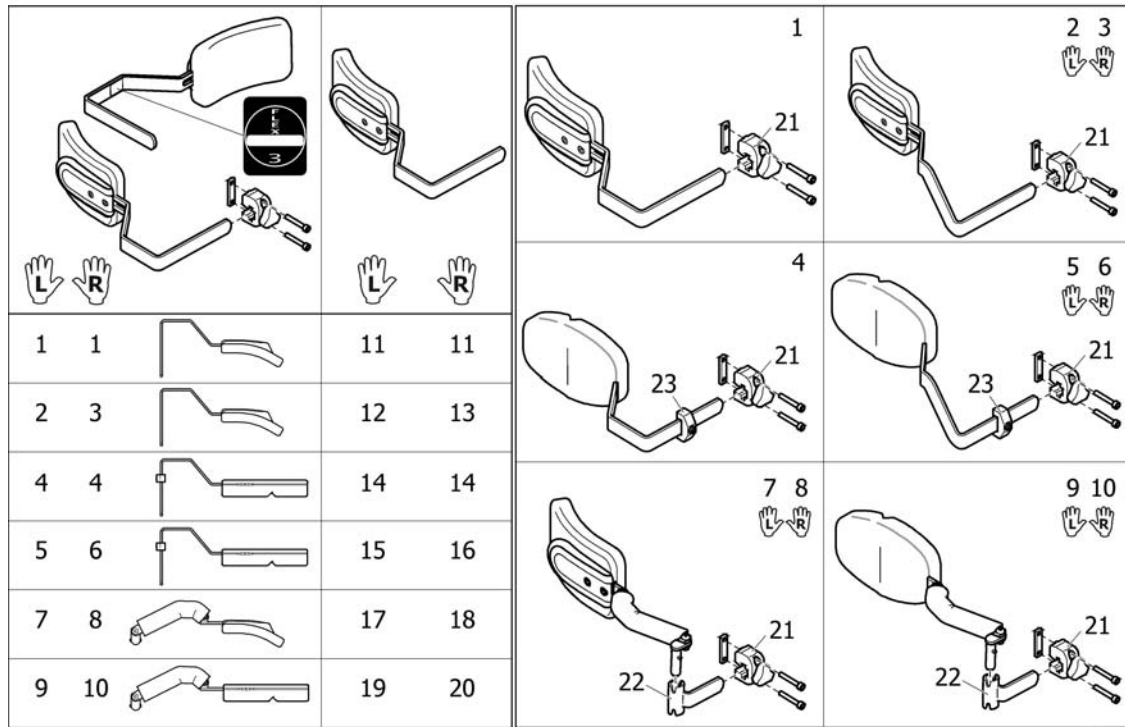
# (Pommel)

1



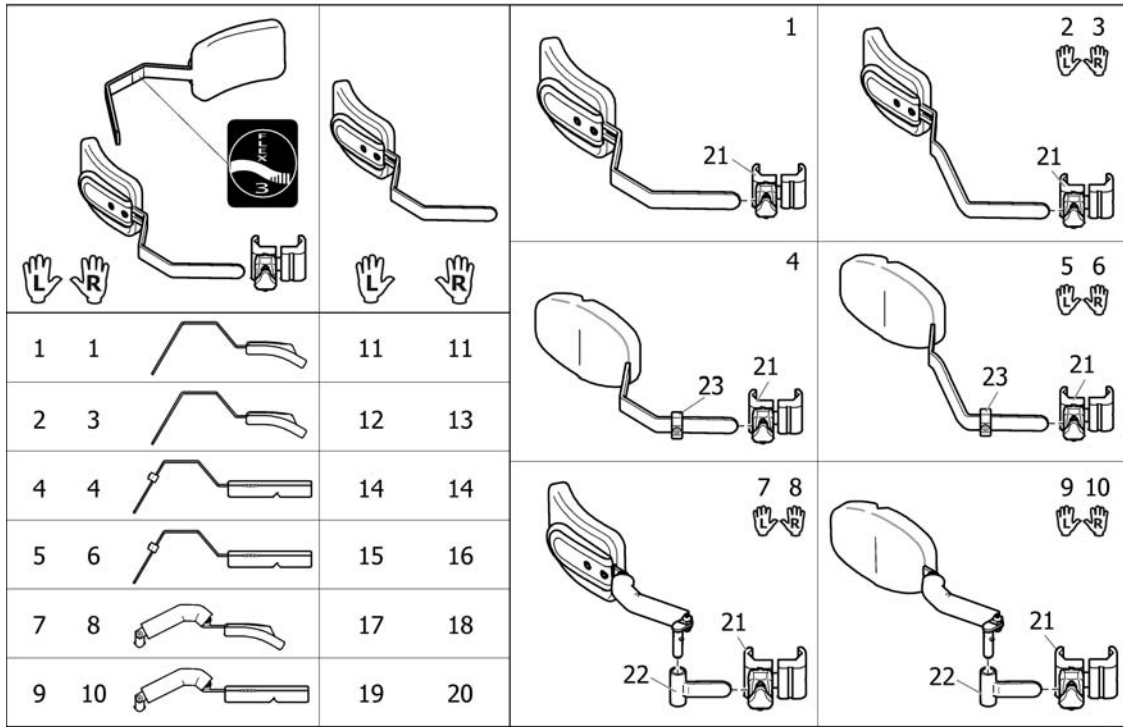
SP1444172

1	SP1449897	(Pommel (incl attachment), dartex black (Azalea/Clematis))	1
2	SP1444172	(Pommel, Dartex Black)	1
3	SP1450464	HOLDER BENDELER AZALEA, CLEMATIS	1

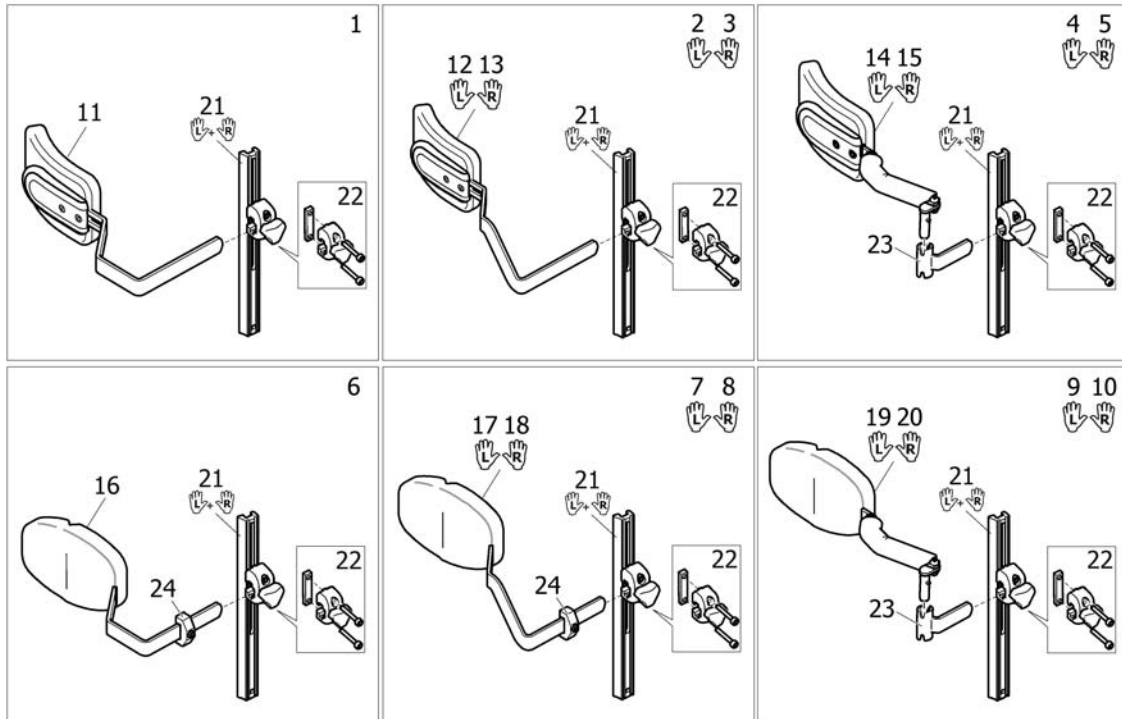
**(Trunk supports, Flex3 backrest)**

1	SP1557672	(Trunk support 2012, cpl.)	1
2	SP1552680	(Trunk support 2012, le, extended, cpl.)	1
3	SP1552681	(Trunk support 2012, ri, extended, cpl.)	1
4	SP1552726	(Trunk support 2012, multi adj, cpl.)	1
5	SP1552728	(Trunk support 2012, le, multi adj, extended, cpl.)	1
6	SP1552729	(Trunk support 2012, ri, multi adj, extended, cpl.)	1
7	SP1557673	(Trunk support 2012, le, swingaway, cpl.)	1
8	SP1557674	(Trunk support 2012, ri, swingaway, cpl.)	1
9	SP1557675	(Trunk support 2012, le, multi adj, Swingaway, cpl.)	1
10	SP1557676	(Trunk support 2012, ri, multi adj, Swingaway, cpl.)	1
11	SP1552698	(Trunk support 2012)	1
12	SP1552678	(Lateral support extended, cpl. - left)	1
13	SP1552679	(Lateral support extended, cpl. - right)	1
14	SP1555690	(Trunk support 2012, multi adj.)	1
15	SP1555692	(Lateral support, multi-adjustable, cpl. - left)	1
16	SP1555691	(Lateral support, multi-adjustable, cpl. - right)	1
17	SP1551853	(Trunk Support 2012, Le, Swingaway)	1
18	SP1551866	(Trunk Support 2012, Ri, Swingaway)	1
19	SP1529225	(Trunk support, multi adj., left)	1
20	SP1529224	(Trunk support, multi adj., right)	1
21	SP1543574	FESTE SIDESTØTTE FLEX3 AZALEA M RYGGPLATE	1
22	SP1524903	(Retainer, Trunk Support)	1
23	SP1448728	MINNE SIDESTØTTE KPL	1

**(Trunk supports, Flex3 tension adj. backrest)**



1	SP1561730	SIDESTØTTE KPL 2012 VELCRO RYGG	1
2	SP1562962	SIDESTØTTE VE KPL LANG ARM VELCRO RYGG FLEX 3	1
3	SP1562963	SIDESTØTTE HØ KPL LANG ARM VELCRO RYGG FLEX3	1
4	SP1561729	SIDESTØTTE 2012 MULTI KPL VELCRO RYGG	1
5	SP1562960	SIDESTØTTE VE MULTIJUST. KPL.FORLENGET VELCRO RYG	1
6	SP1562961	SIDESTØTTE HØ MULTIJUST. KPL.FORLENGET VELCRO RYG	1
7	SP1561641	SIDESTØTTE 2012 VE SWING AWAY INKL FESTE	1
8	SP1561642	SIDESTØTTE 2012 HØ SWING AWAY INKL FESTE	1
9	SP1561651	SIDESTØTTE MULTI VELCRO RYGG VE KPL FLEX3 2012	1
10	SP1561652	SIDESTØTTE MULTI VELCRO RYGG HØ KPL FLEX3 2012	1
11	SP1561728	(Trunk support 2012 , Flex3 tension adj.)	1
12	SP1562922	SIDESTØTTE FORLENGET VE VELCRO RYGG FLEX3	1
13	SP1562921	SIDESTØTTE FORLENGET HØ VELCRO RYGG FLEX3	1
14	SP1561727	(Trunk support 2012, multi adj, Flex3 tension adj.)	1
15	SP1562920	(Lateral Support, Flex3 back, tension adj., extended, multi-adj. - LH)	1
16	SP1562919	(Lateral Support, Flex3 back, tension adj., extended, multi-adj. - RH)	1
17	SP1551853	(Trunk Support 2012, Le, Swingaway)	1
18	SP1551866	(Trunk Support 2012, Ri, Swingaway)	1
19	SP1529225	(Trunk support, multi adj., left)	1
20	SP1529224	(Trunk support, multi adj., right)	1
21	SP1554143	SIDESTØTTE FESTE FLEX3 TIL VELCRO RYGG	1
22	SP1524903	(Retainer, Trunk Support)	1
23	SP1448728	MINNE SIDESTØTTE KPL	1

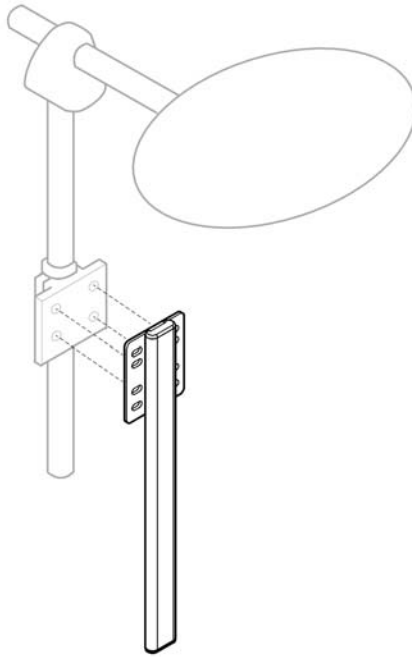
**(Trunk supports, Laguna2 backrest)**

SP1586431

1	SP1557672	(Trunk support 2012, cpl.)	1
2	SP1552680	(Trunk support 2012, le, extended, cpl.)	1
3	SP1552681	(Trunk support 2012, ri, extended, cpl.)	1
4	SP1557673	(Trunk support 2012, le, swingaway, cpl.)	1
5	SP1557674	(Trunk support 2012, ri, swingaway, cpl.)	1
6	SP1552726	(Trunk support 2012, multi adj, cpl.)	1
7	SP1552728	(Trunk support 2012, le, multi adj, extended, cpl.)	1
8	SP1552729	(Trunk support 2012, ri, multi adj, extended, cpl.)	1
9	SP1557675	(Trunk support 2012, le, multi adj, Swingaway, cpl.)	1
10	SP1557676	(Trunk support 2012, ri, multi adj, Swingaway, cpl.)	1
11	SP1552698	(Trunk support 2012)	1
12	SP1552678	(Lateral support extended, cpl. - left)	1
13	SP1552679	(Lateral support extended, cpl. - right)	1
14	SP1551853	(Trunk Support 2012, Le, Swingaway)	1
15	SP1551866	(Trunk Support 2012, Ri, Swingaway)	1
16	SP1555690	(Trunk support 2012, multi adj.)	1
17	SP1555692	(Lateral support, multi-adjustable, cpl. - left)	1
18	SP1555691	(Lateral support, multi-adjustable, cpl. - right)	1
19	SP1529225	(Trunk support, multi adj., left)	1
20	SP1529224	(Trunk support, multi adj., right)	1
21	1518526	(Receiver trunk support (pair))	1
22	SP1543574	FESTE SIDESTØTTE FLEX3 AZALEA M RYGGPLATE	1
23	SP1524903	(Retainer, Trunk Support)	1
24	SP1448728	MINNE SIDESTØTTE KPL	1

## (Universal, Head-/Neckrest pole)

1



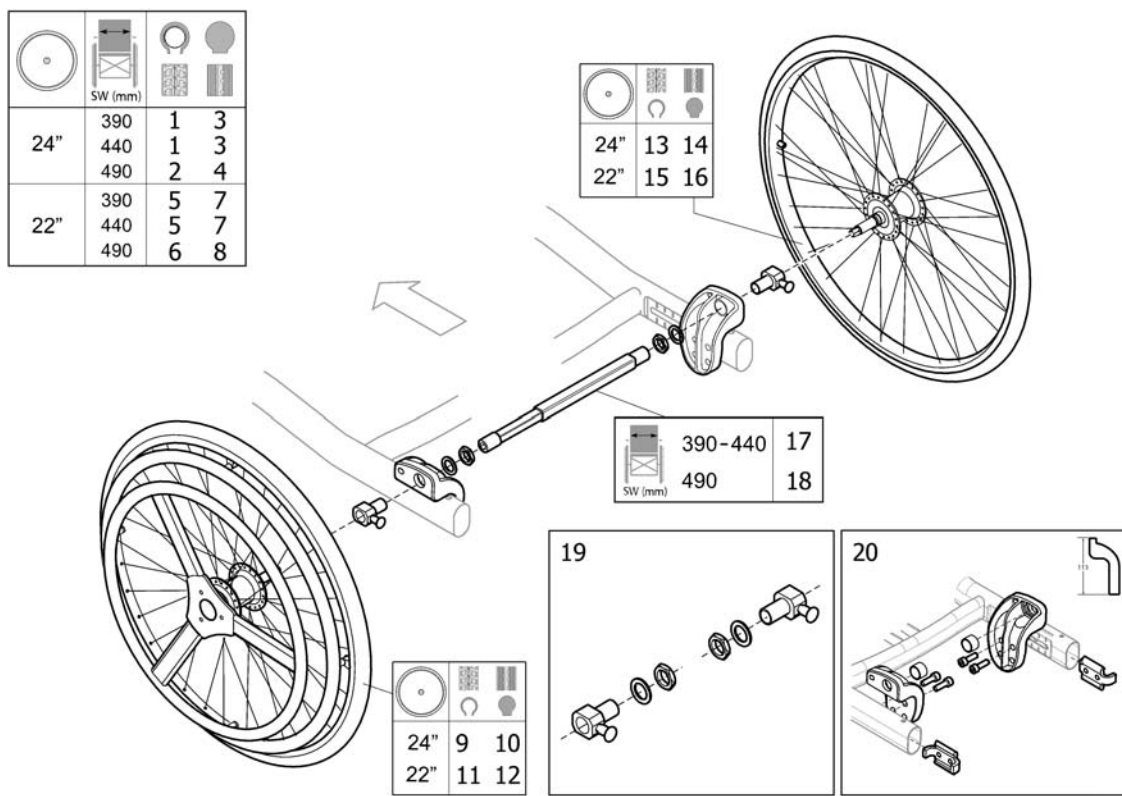
SP1581931

1 SP1581931

(Alternative Headrest mounting bracket)

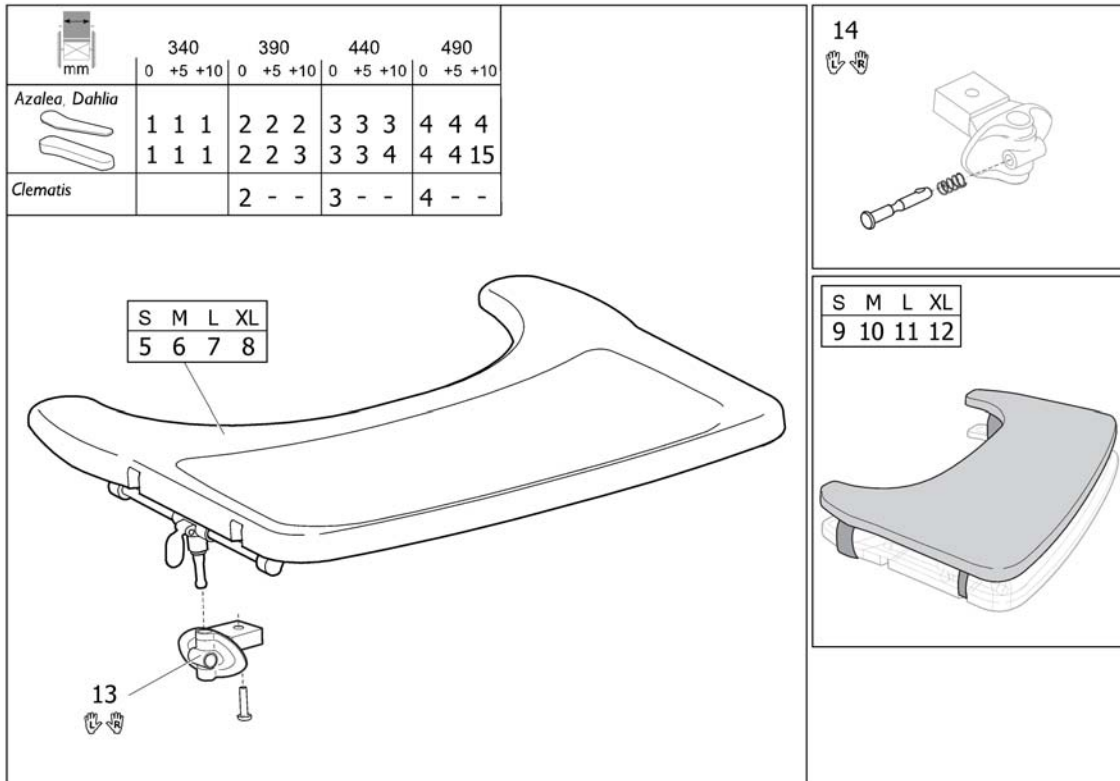
1



**(One arm drive)**

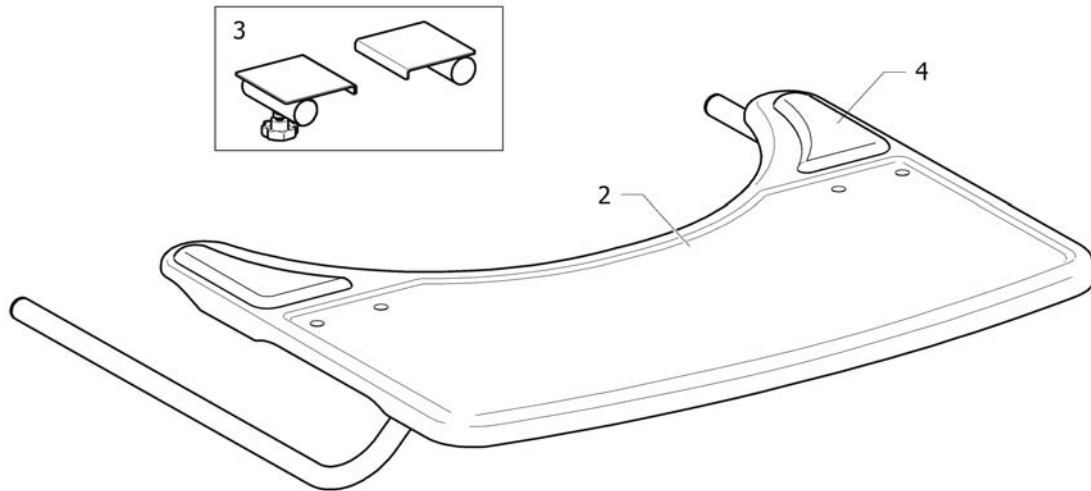
1	SP1513269	(ONE ARM DRIVE, 24" PNEU., CPL)	1
2	SP1513270	(ONE ARM DRIVE, 24" PNEU., CPL)	1
3	SP1513271	(ONE ARM DRIVE, 24" SOLID, CPL)	1
4	SP1513272	(ONE ARM DRIVE, 24" SOLID, CPL)	1
5	SP1574096	(ONE ARM DRIVE, 22" PNEU., CPL)	1
6	SP1574098	(ONE ARM DRIVE, 22" PNEU., CPL)	1
7	SP1574074	(ONE ARM DRIVE, 22" SOLID, CPL)	1
8	SP1574097	(ONE ARM DRIVE, 22" SOLID, CPL)	1
9	1509382	DRIVHJUL 24 ENHÅNDS DRI VRING LUFT	1
10	1509436	DRIVHJUL 24 AKTIV DHR K OMPAKT	1
11	1574072	(WHEEL 22" PNEU, ONE ARM DRIVE)	1
12	1574073	(WHEEL 22" SOLID, ONE ARM DRIVE)	1
13	1508491	DRIVHJUL 24 LUFT ENARMS	1
14	1508490	DRIVHJUL 24 PASSIV DHR KOMPAKT	1
15	1574070	(WHEEL 22" PNEU, NO HANDRIM, ONE ARM DRIVE)	1
16	1574071	(WHEEL 22" SOLID, NO HANDRIM, ONE ARM DRIVE)	1
17	1511769	ENARMSDRIFT AKSEL 270-3 85	1
18	1508487	AKSEL ENARMSDRIFT 34,5- 46	1
19	SP1513658	(DHR wheel axle support complet)	1
20	SP1587728	(REARWHEEL ATT., LOW, PAIR, ONE ARM DRIVE)	1

## (Table tray)



1	SP1570747	BORD KPL. INKL.MONT.SATS MINOR SB34	1
2	SP1570748	BORD KPL. INKL.MONT.SATS SB39	1
3	SP1570749	BORD KPL. INKL.MONT.SATS SB44	1
4	SP1570775	BORD KPL. INKL.MONT.SATS SB49	1
5	SP1567517	(TABLE TRAY SMALL)	1
6	SP1567518	(Table tray Medium)	1
7	SP1567519	(Table tray Large)	1
8	SP1568862	(Table tray X-Large)	1
9	SP1570746	(TABLE CUSHION, SMALL)	1
10	SP1571269	BORDPUTE MEDIUM SB39 AZALEA	1
11	SP1571270	BORDPUTE LARGE SB44 AZALEA	1
12	SP1571271	BORDPUTE X-LARGE SB49 AZALEA	1
13	SP1570745	MONTERINGSSATS TIL BORD (SEPARAT BESTILT)	1
14	SP1572460	LÅSEMEKANISME, PAR, KIT, BORD	1
15	-	(Table tray, Azalea Max)	1



1

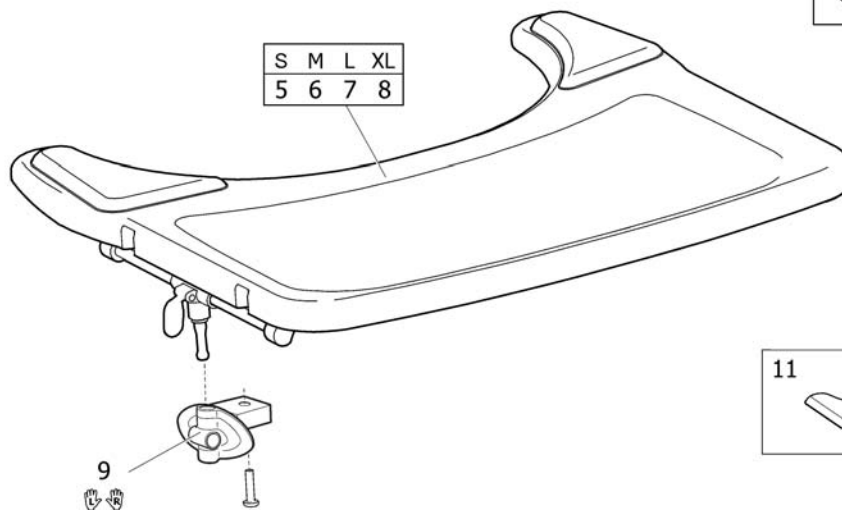
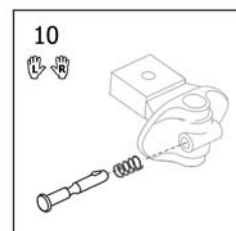


991521849

1	1528869	BORD KPL MED FESTE AZALEA MAX	1
2	1531907	BORD, KPL AZALEA MAX	1
3	1532190	(Attachment kit, Table Tray, Azalea Max)	1
4	1497825	(Elbow pad pair for table tray)	1

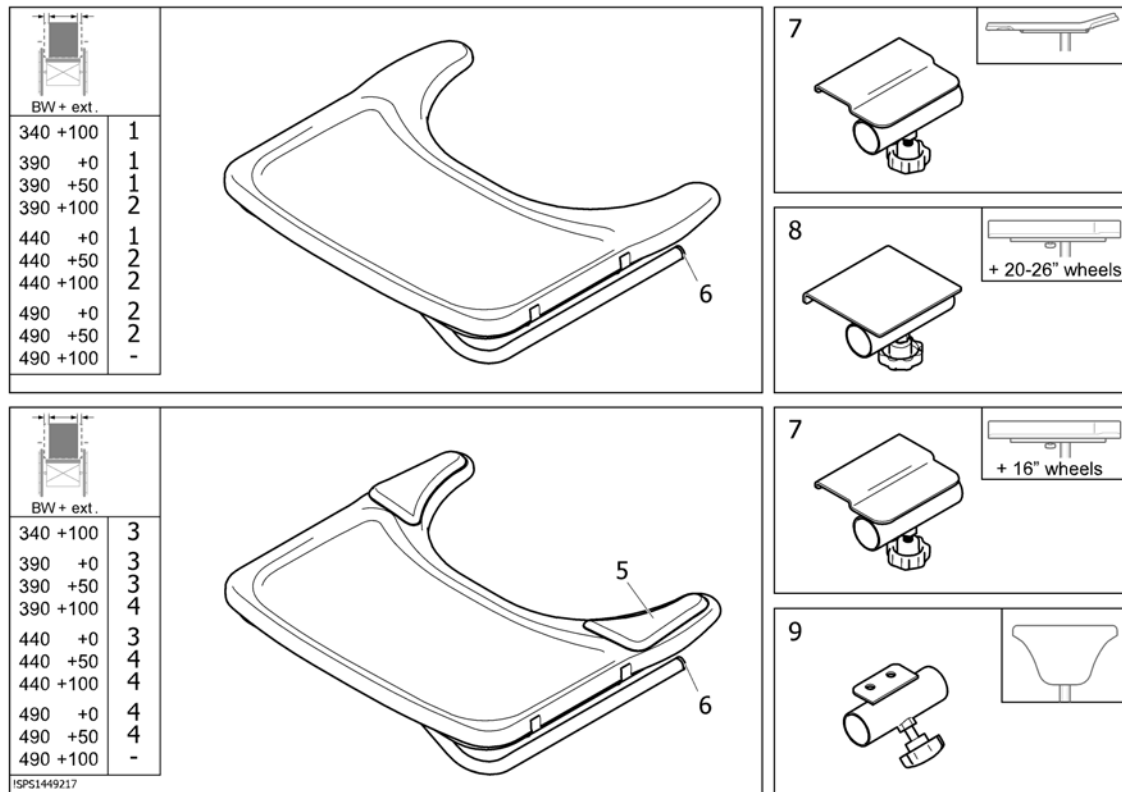
## (Table tray with armpad)

mm	340			390			440			490		
	0	+5	+10	0	+5	+10	0	+5	+10	0	+5	+10
	1	1	1	2	2	2	3	3	3	4	4	4
	1	1	1	2	2	3	3	3	4	4	4	



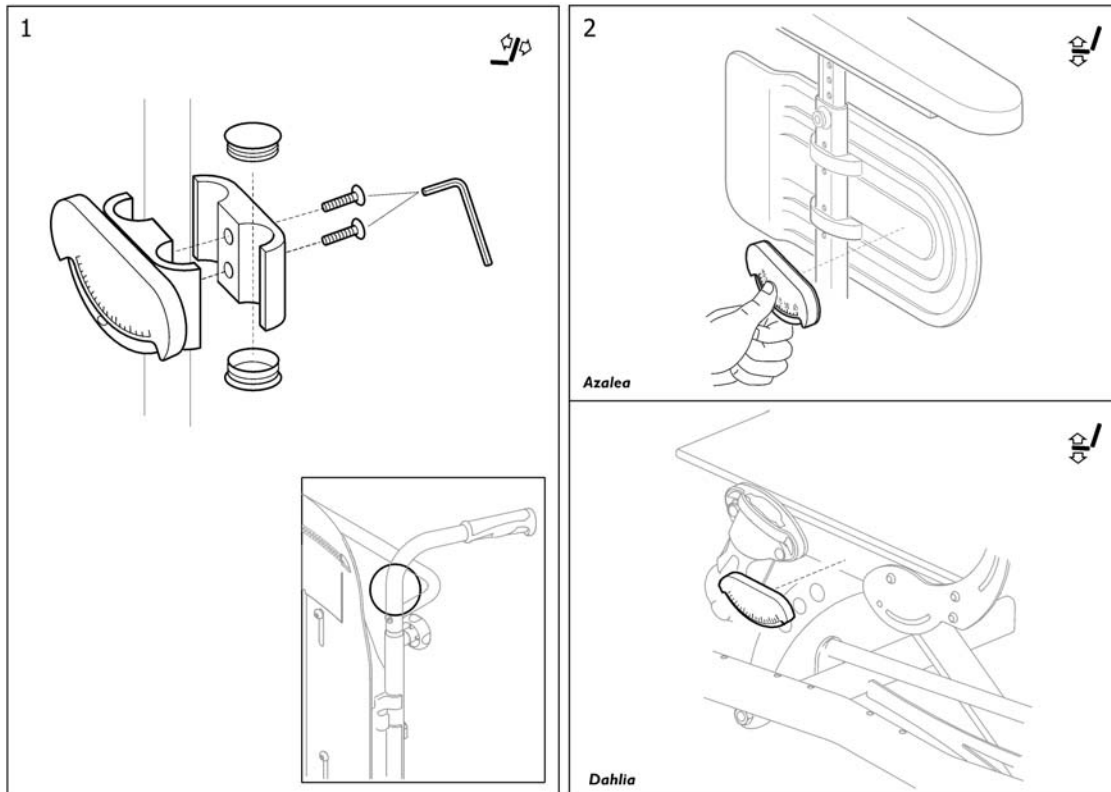
SP1580887

1	SP1580891	(TABLE TRAY, S, ARMPAD, INCL. MOUNTING KIT)	1
2	SP1580892	BORD KPL M. ALBUESTØTTE INKL. MONT.SATS SB39	1
3	SP1580893	BORD KPL M. ALBUESTØTTE INK MONTSATS SB44	1
4	SP1580894	(TABLE TRAY, XL, ARMPAD, INCL. MOUNTING KIT)	1
5	SP1580887	(TABLE TRAY, S, ARMPAD)	1
6	SP1580888	(TABLE TRAY, M, ARMPAD)	1
7	SP1580889	(TABLE TRAY, L, ARMPAD)	1
8	SP1580890	(TABLE TRAY, XL, ARMPAD)	1
9	SP1570745	MONTERINGSSATS TIL BORD (SEPARAT BESTILT)	1
10	SP1572460	LÅSEMEKANISME, PAR, KIT, BORD	1
11	1497825	(Elbow pad pair for table tray)	1

**(Table tray "Swingaway")**

1	SP1586424	BORD SVINGBART SMALL KPL	1
2	SP1586425	BORD SVINGBART MEDIUM KPL	1
3	SP1584394	(Table tray Swingaway incl. pads, small, cpl.)	1
4	SP1584395	(Table tray Swingaway incl. pads, medium, cpl.)	1
5	1497825	(Elbow pad pair for table tray)	1
6	5716296	PLUGG PLAST IKP 22X1 25 SVART OGSÅ TIL WHEELER	1
7	1449218	FESTE BORD 2004 MED HÅNDHJUL	1
8	1531131	(ATTACHMENT CPL, TABLE RIGHT)	1
9	1449839	FESTE BORD SWING AWAY AZALEA	1

# (Tilt scale)



1 SP1563954

VINKELMÄLER RYGG KPL. AZALEA

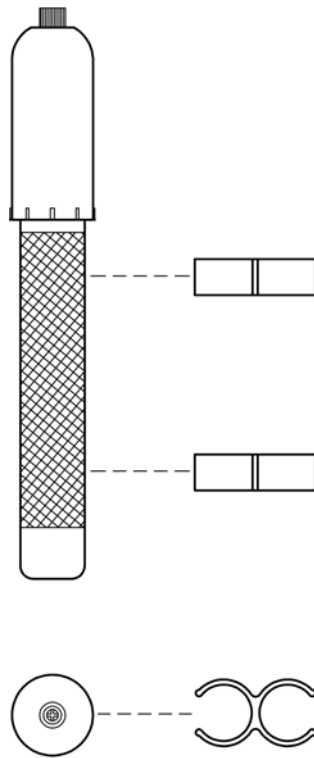
1

2 SP1561584

VINKELMÄLER SETE KPL. AZALEA

1

# (Pump)



SPS575072€

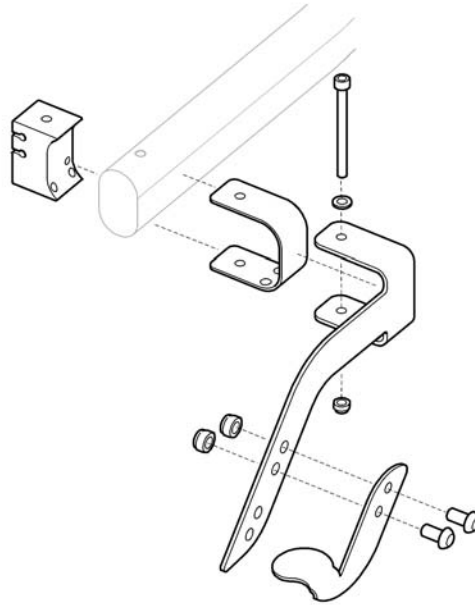
5750729

PUMPE KPL MODEL-97

1

# (Step tube)

1



02/16/15/66

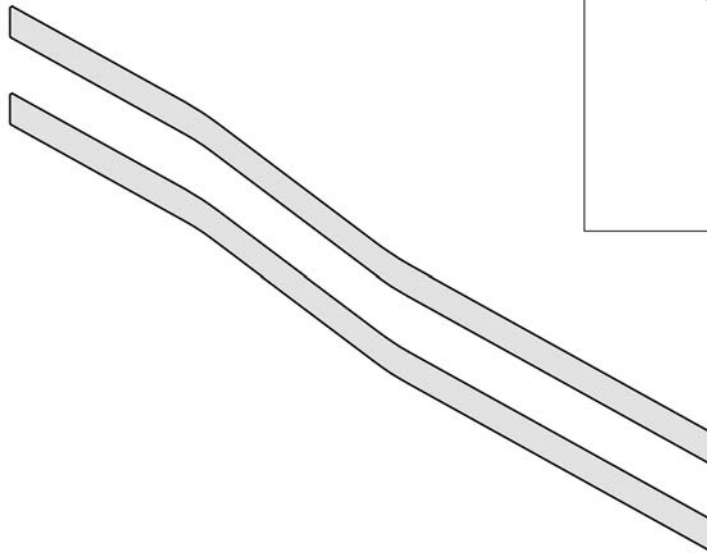
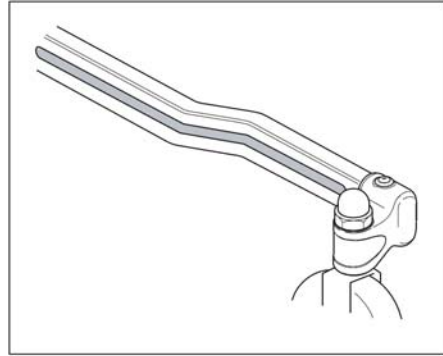
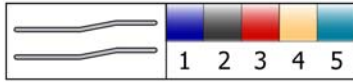
1 SP1573173

(Step tube)

1



## (Colour kit)



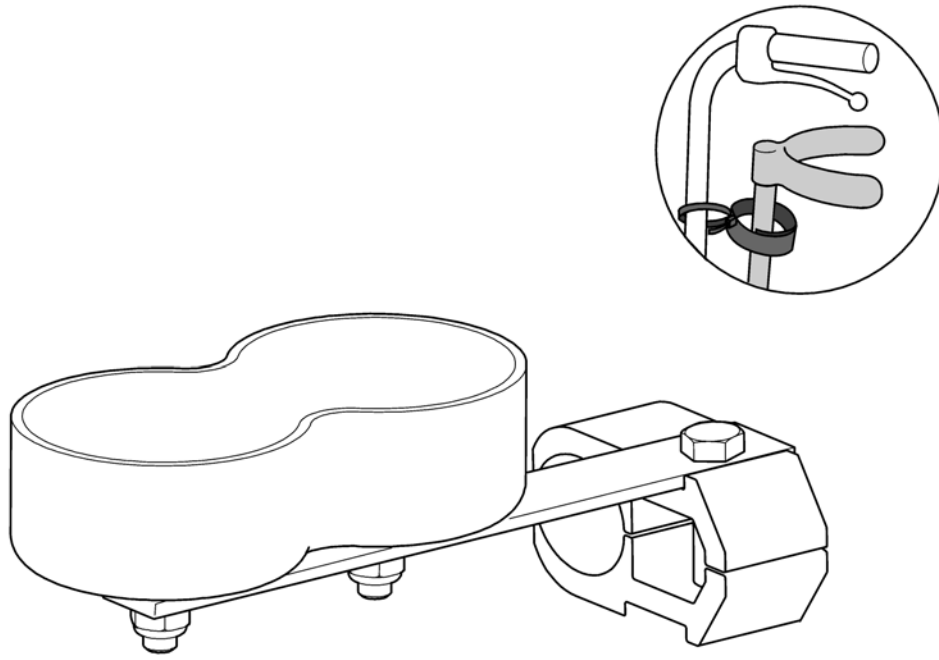
016/0106

---

1	SP1570887	(Colour kit blue)	1
2	SP1570888	(Colour kit silver)	1
3	SP1570889	(Colour kit red)	1
4	SP1570890	(Colour kit champagne)	1
5	SP1570891	(Colour kit petrol green)	1

# (Crutch holder, Flex3 backrest)

1



SP1560811

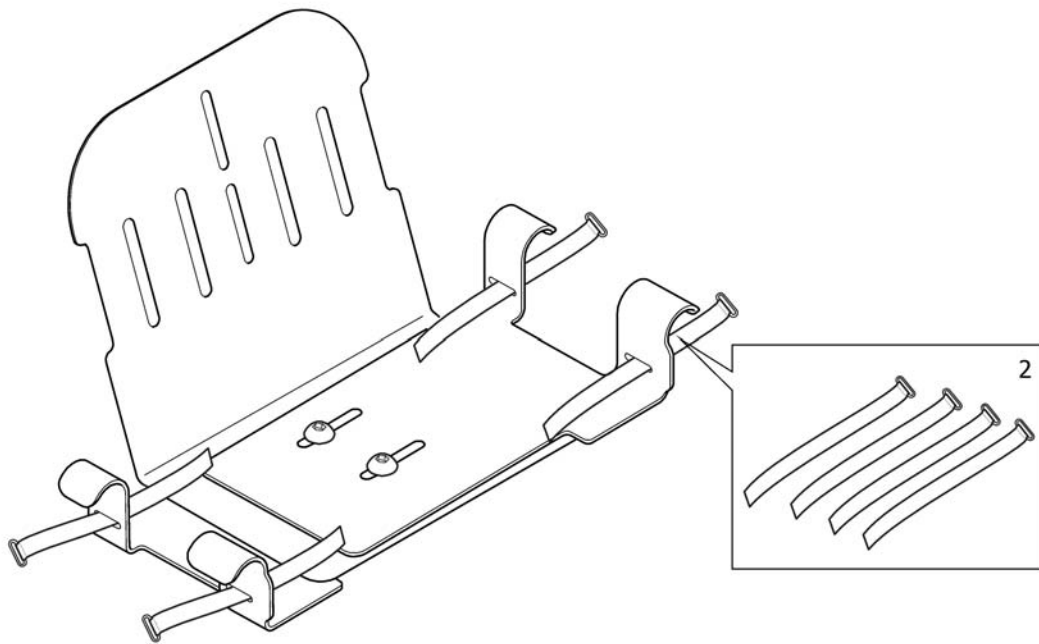
1 SP1560811

(Crutch holder)

1

## (Accessory tray)

1

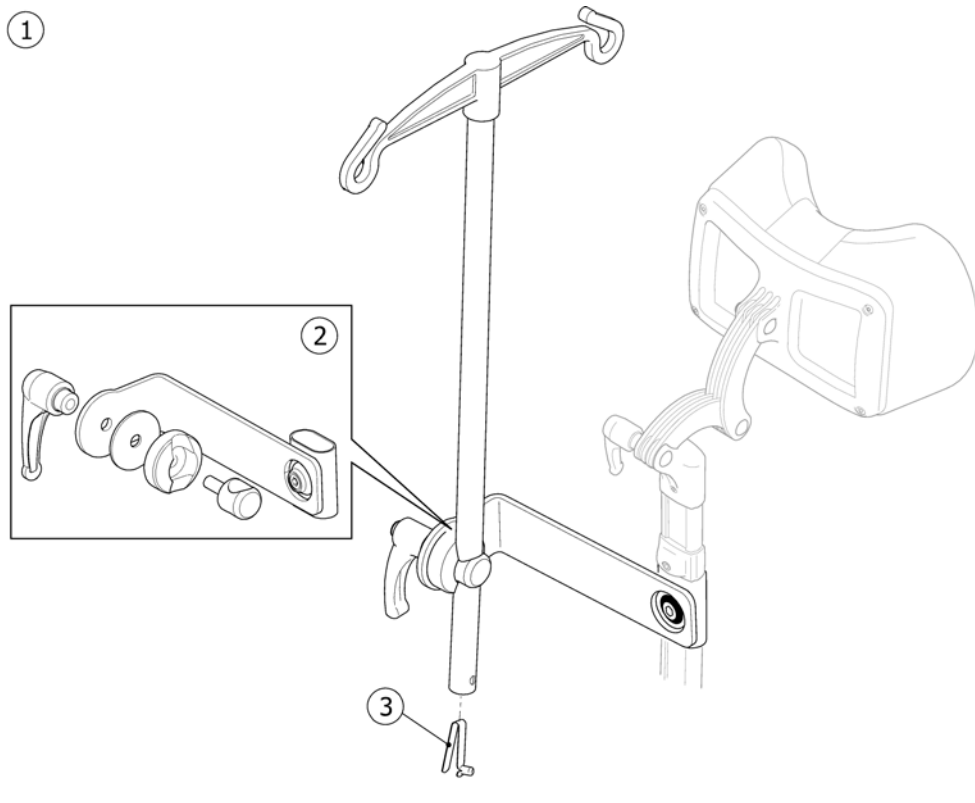


15P51571085

---

1	SP1574838	(Accessory tray cpl.)	1
2	SP1574885	(STRAP, 4PCS, ACCESSORY TRAY)	1

## (Dripstand)

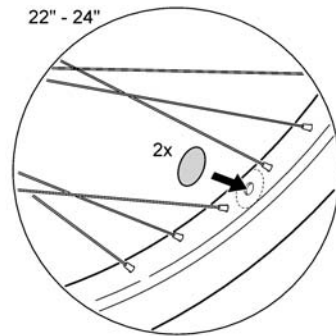
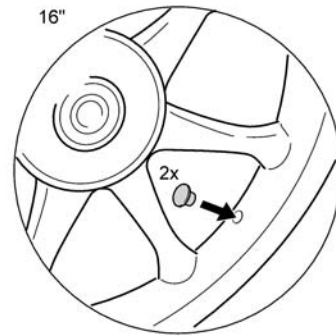
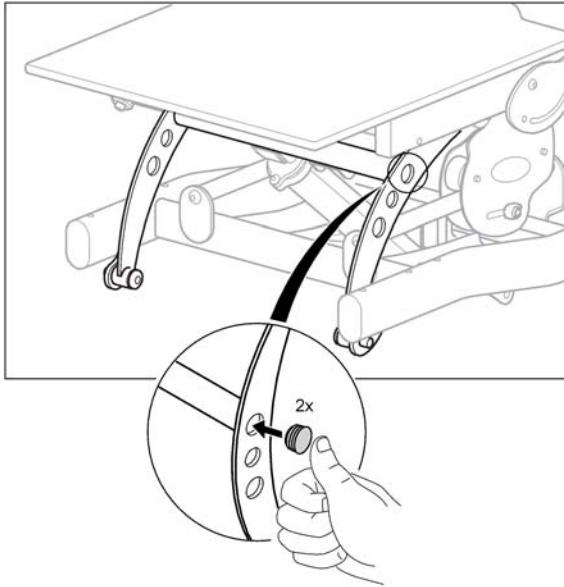
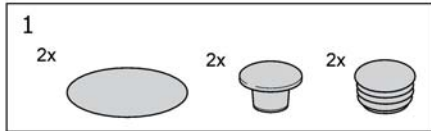


SPS1440897

---

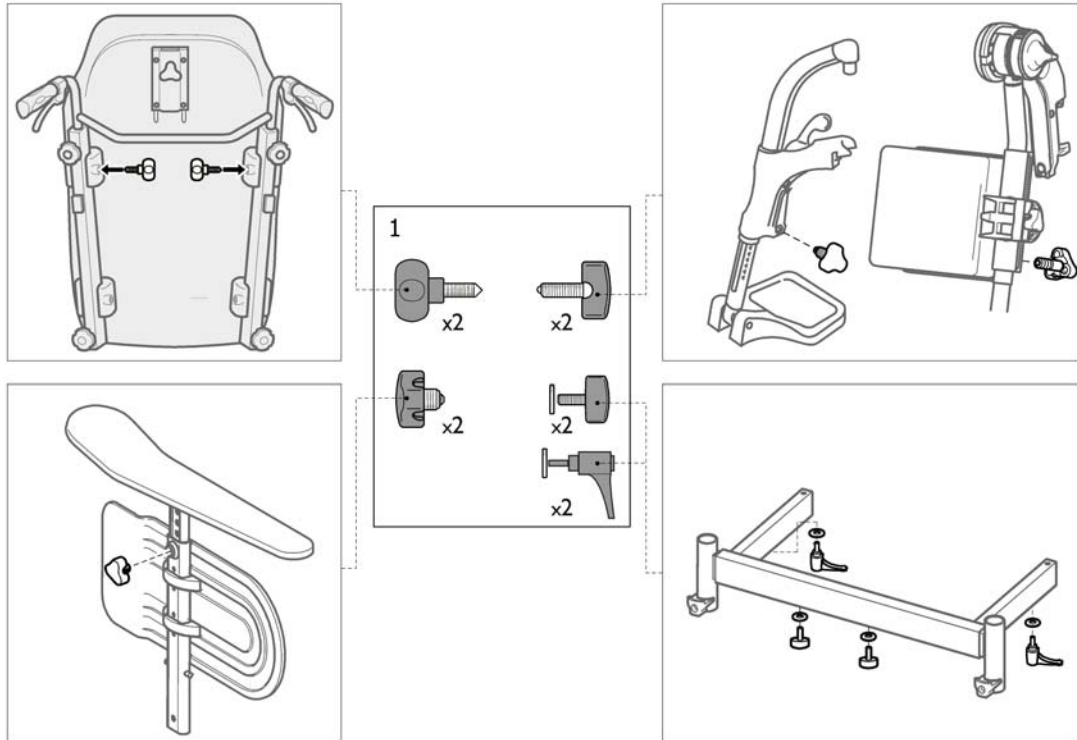
1	1440897	INFUSJONSSTATIV MED FESTE AZALEA/ACTION/CLEM	1
2	1518781	(ATTACHMENT, DRIP STAND)	1
3	1560734	SNAP BUTTON FOR ARMLEN AZALEA	1

# (Wash sealing kit)



SP1576680

# (Clinic kit)







Yes, you can.®



---

**Belgium & Luxemburg:**

Invacare nv, Autobaan 22, B-8210 Loppem  
Tel: (32) (0)50 83 10 10, Fax: (32) (0)50 83 10 11  
belgium@invacare.com / www.invacare.be

**Denmark:**

Invacare A/S, Sdr. Ringvej 37, DK-2605 Brøndby  
Tel: (45) (0)36 90 00 00, Fax: (45) (0)36 90 00 01  
denmark@invacare.com / www.invacare.dk

**Deutschland:**

Invacare Aquatec GmbH, Alemannenstraße 10, D-88316 Isny  
Tel: (49) (0)75 62 7 00 0, Fax: (49) (0)75 62 7 00 66  
info@invacare-aquatec.com / www.invacare-aquatec.de

**European Distributor Organisation:**

Invacare, Kleiststraße 49, D-32457 Porta Westfalica  
Tel: (49) (0)57 31 754 540, Fax: (49) (0)57 31 754 541  
edo@invacare.com / www.invacare.eu.com

**España:**

Invacare SA, c/Areny s/n, Polígon Industrial de Celrà, E-17460 Celrà (Girona)  
Tel: (34) (0)972 49 32 00, Fax: (34) (0)972 49 32 20  
contactsp@invacare.com / www.invacare.es

**France:**

Invacare Poirier SAS, Route de St Roch, F-37230 Fondettes  
Tel: (33) (0)2 47 62 64 66, Fax: (33) (0)2 47 42 12 24  
contactfr@invacare.com / www.invacare.fr

**Ireland:**

Invacare Ireland Ltd, Unit 5 Seatown Business Campus, Seatown Road, Swords, County Dublin - Ireland  
Tel: (353) 1 810 7084, Fax: (353) 1 810 7085  
ireland@invacare.com / www.invacare.ie

**Italia:**

Invacare Mecc San s.r.l., Via dei Pini 62, I-36016 Thiene (VI)  
Tel: (39) 0445 38 00 59, Fax: (39) 0445 38 00 34  
italia@invacare.com / www.invacare.it

**Nederland:**

Invacare BV, Celsiusstraat 46, NL-6716 BZ Ede  
Tel: (31) (0)318 695 757, Fax: (31) (0)318 695 758  
nederland@invacare.com, csede@invacare.com / www.invacare.nl

**Norge:**

Invacare AS, Grensesvingen 9, Postboks 6230, Etterstad, N-0603 Oslo  
Tel: (47) (0)22 57 95 00, Fax: (47) (0)22 57 95 01  
norway@invacare.com, island@invacare.com / www.invacare.no

**Österreich:**

Invacare Austria GmbH, Herzog Odilostrasse 101, A-5310 Mondsee  
Tel: (43) 6232 5535 0, Fax: (43) 6232 5535 4  
info-austria@invacare.com / www.invacare.at

**Portugal:**

Invacare Lda, Rua Estrada Velha, 949, P-4465-784 Leça do Balio  
Tel: (351) (0)225 1059 46/47, Fax: (351) (0)225 1057 39  
portugal@invacare.com / www.invacare.pt

**Sverige & Suomi:**

Invacare AB, Fagerstagatan 9, S-163 91 Spånga  
Tel: (46) (0)8 761 70 90, Fax: (46) (0)8 761 81 08  
sweden@invacare.com, finland@invacare.com / www.invacare.se

**Switzerland:**

Invacare AG, Benkenstrasse 260, CH-4108 Witterswil  
Tel: (41) (0)61 487 70 80, Fax: (41) (0)61 487 70 81  
switzerland@invacare.com / www.invacare.ch

**United Kingdom:**

Invacare Limited, Pencoed Technology Park, Pencoed, Bridgend CF35 5AQ  
Switchboard Tel: (44) (0)1656 776200, Fax: (44) (0)1656 776201  
Customer services Tel: (44) (0)1656 776222, Fax: (44) (0)1656 776220  
uk@invacare.com / www.invacare.co.uk