

Spare Parts Catalogue

Version: 2015/01/26b NO



Invacare® HomeFill II®



Yes, you can.®

General Information

For any order of spare parts the following information is required:

- Product type*
- Product name & model*
- Serial Number*
- Part-Number*
- Part-Description*

Exploded view drawings and code numbers are not contractual and subject to modification, in relation to Invacare® continuous product improvement policy to meet end users needs.

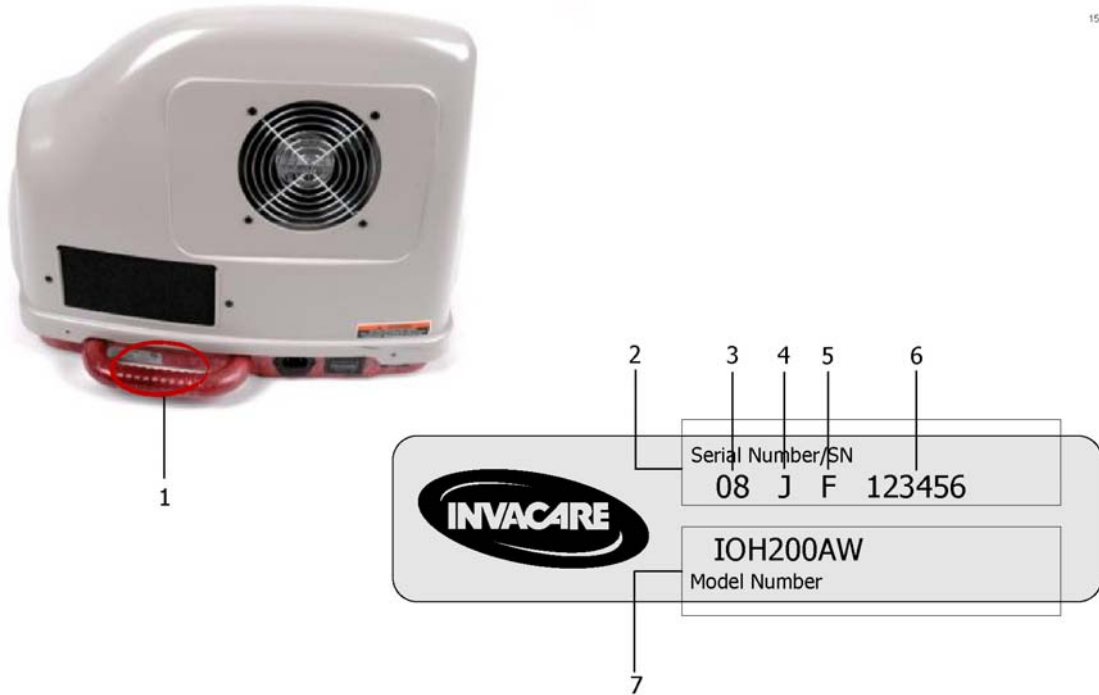
The reproduction or use of this work, or of any substantial part of this work, in any form or by any electronic, mechanical or other means, including photocopying, scanning and recording, and in any information storage and retrieval system, including electronic transmission, is forbidden without the prior written permission of Invacare® International Sarl.



Yes, you can.®

TABLE OF CONTENTS

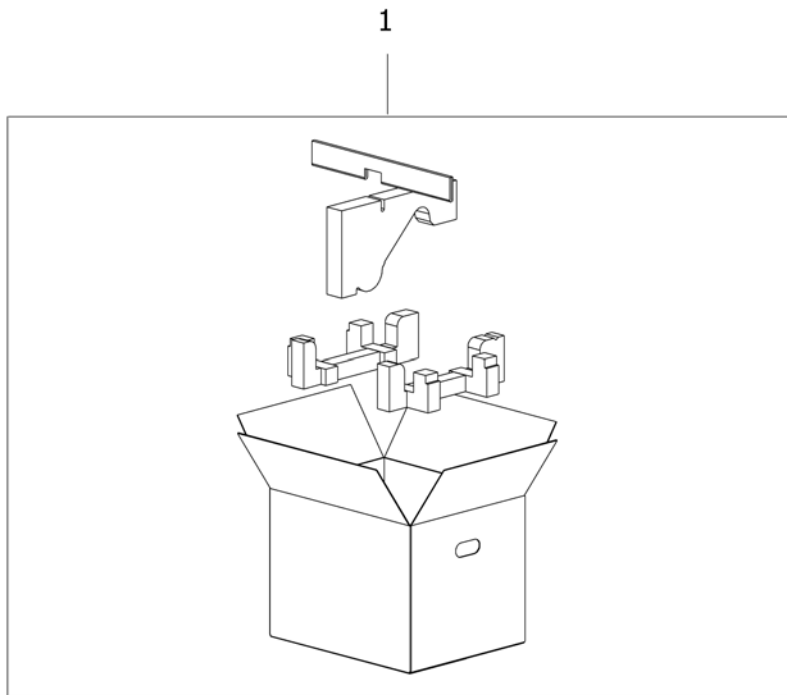
Serienr. klistremerke	5
Brukermanual og emballasje	6
Reservedeler	7
Tilbehør	8



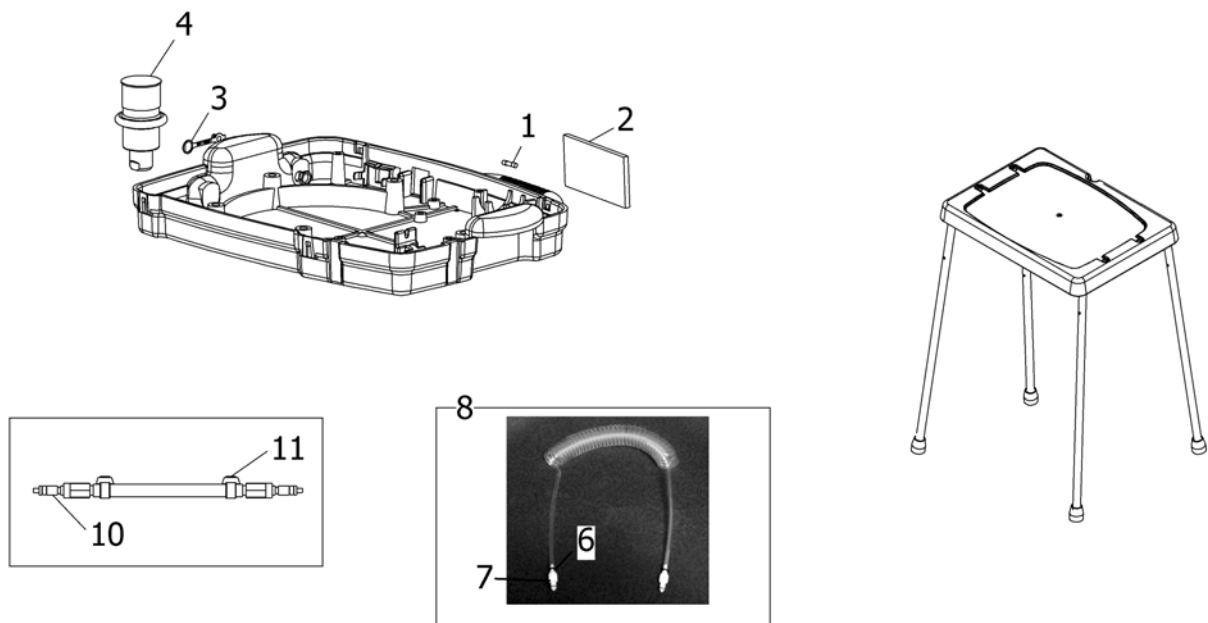
1	-	(Location of the Serial/Model Number Sticker)	1
2	-	(Serial number)	1
3	-	(Manufacturing Year)	1
4	-	(Manufacturing Month (A=Jan, B=Feb L=Dec))	1
5	-	(Manufacturing Location (F=Florida, SZ=Suzhou))	1
6	-	(Sequential number)	1
7	-	(Model Number)	1

Brukermanual og emballasje

1541180X.00



1150682	(IOH200AWN /Fr/Ge/It/Po/ Cz/ 4-LED - Version) <i>Includes Owners Manual, Control Panel Overlay and Cabinet Warning Label for French, German, Polish, Italian & Czech</i>	1
1150683	(IOH200AWS /Sp/Fr/Pt/It/ Gr/Du) <i>Includes Owners Manual, Control Panel Overlay and Cabinet Warning Label for Spanish, French, Portuguese, Italian, Dutch & Greek</i>	1
1150684	BRUKERMANUAL HOMEFILL SKANDINAVISK <i>Includes Owners Manual, Control Panel Overlay and Cabinet Warning Label for Danish, Norwegian, Finish & Swedish</i>	1
1 1102315	(Box, cpl.) <i>Includes Carton and Box Inserts</i>	1



1	1099820	(2 Amp. Fuse)	1
2	2000489	FILTER KABINETT 85X165 HOMEFILL	1
3	1108211	(Cap, Dust)	1
4	1156644	(Dust Cap with Lanyard (1 ") <i>Use with new style coupler</i>	1
4	-	(No longer available.) <i>Use with old style coupler</i>	0
6	1006525	STRIPS TIL FYLLESLANGE HOMEFILL	1
7	1145488	VENTIL INTERN TIL KOBLINGSSLANGE, 10 stk	10
8	1105177	KOBLINGSSLANGE KONS.HOME M.HURTIGKOBLING	1
10	1145489	(Fitting 1/4 f.)	10
11	2001682	KABELBINDER KONSENTRATOR O2	1
	1131308	STRØMLEDNING KONSENTRATOR PLATINUM	1
	1085605	(Cord, Power)	1
	P21080	(Power Cord, UK)	1
	1443841	(Power Cord, Swiss)	1
	1072004	(PAD, NONSKID)	1

Tilbehør



1	1498231	(Cannula, Adult (Salter 1056) for HomeFill 2)	1
1	1524235	NESEKATETER HIGH FLOW 1,2M	1
1	M3120	NESEKATETER VOKSEN 2,1 M	1
1	1524236	NESEKATETER VOKSEN 2,1 HIGH FLOW PLAT 9	1
2	HF2PC9BAG	BAG TIL FLASKE 1,4 L OG 1,7 L HOMEFILL <i>For use with 1.43 L and 1.7 L Cylinder</i>	1
2	1514281	BAG TIL FLASKE 1 L HOMEFILL <i>For use with 1.0 L Cylinder</i>	1
3	1522266-IOH270	STATIV HOMEFILL II FOR PERFECT O2 <i>Use with Perfecto2</i>	1
4	IOH260	STATIV PLATINUM S. 5 OG 9 <i>Use with Platinum Series</i>	1



Yes, you can.®



Belgium & Luxemburg:

Invacare nv, Autobaan 22, B-8210 Loppem
Tel: (32) (0)50 83 10 10, Fax: (32) (0)50 83 10 11
belgium@invacare.com / www.invacare.be

Denmark:

Invacare A/S, Sdr. Ringvej 37, DK-2605 Brøndby
Tel: (45) (0)36 90 00 00, Fax: (45) (0)36 90 00 01
denmark@invacare.com / www.invacare.dk

Deutschland:

Invacare Aquatec GmbH, Alemannenstraße 10, D-88316 Isny
Tel: (49) (0)75 62 7 00 0, Fax: (49) (0)75 62 7 00 66
info@invacare-aquatec.com / www.invacare-aquatec.de

European Distributor Organisation:

Invacare, Kleiststraße 49, D-32457 Porta Westfalica
Tel: (49) (0)57 31 754 540, Fax: (49) (0)57 31 754 541
edo@invacare.com / www.invacare.eu.com

España:

Invacare SA, c/Areny s/n, Polígon Industrial de Celrà, E-17460 Celrà (Girona)
Tel: (34) (0)972 49 32 00, Fax: (34) (0)972 49 32 20
contactsp@invacare.com / www.invacare.es

France:

Invacare Poirier SAS, Route de St Roch, F-37230 Fondettes
Tel: (33) (0)2 47 62 64 66, Fax: (33) (0)2 47 42 12 24
contactfr@invacare.com / www.invacare.fr

Ireland:

Invacare Ireland Ltd, Unit 5 Seatown Business Campus, Seatown Road, Swords, County Dublin - Ireland
Tel: (353) 1 810 7084, Fax: (353) 1 810 7085
ireland@invacare.com / www.invacare.ie

Italia:

Invacare Mecc San s.r.l., Via dei Pini 62, I-36016 Thiene (VI)
Tel: (39) 0445 38 00 59, Fax: (39) 0445 38 00 34
italia@invacare.com / www.invacare.it

Nederland:

Invacare BV, Celsiusstraat 46, NL-6716 BZ Ede
Tel: (31) (0)318 695 757, Fax: (31) (0)318 695 758
nederland@invacare.com, csede@invacare.com / www.invacare.nl

Norge:

Invacare AS, Grensesvingen 9, Postboks 6230, Etterstad, N-0603 Oslo
Tel: (47) (0)22 57 95 00, Fax: (47) (0)22 57 95 01
norway@invacare.com, island@invacare.com / www.invacare.no

Österreich:

Invacare Austria GmbH, Herzog Odilostrasse 101, A-5310 Mondsee
Tel: (43) 6232 5535 0, Fax: (43) 6232 5535 4
info-austria@invacare.com / www.invacare.at

Portugal:

Invacare Lda, Rua Estrada Velha, 949, P-4465-784 Leça do Balio
Tel: (351) (0)225 1059 46/47, Fax: (351) (0)225 1057 39
portugal@invacare.com / www.invacare.pt

Sverige & Suomi:

Invacare AB, Fagerstagatan 9, S-163 91 Spånga
Tel: (46) (0)8 761 70 90, Fax: (46) (0)8 761 81 08
sweden@invacare.com, finland@invacare.com / www.invacare.se

Switzerland:

Invacare AG, Benkenstrasse 260, CH-4108 Witterswil
Tel: (41) (0)61 487 70 80, Fax: (41) (0)61 487 70 81
switzerland@invacare.com / www.invacare.ch

United Kingdom:

Invacare Limited, Pencoed Technology Park, Pencoed, Bridgend CF35 5AQ
Switchboard Tel: (44) (0)1656 776200, Fax: (44) (0)1656 776201
Customer services Tel: (44) (0)1656 776222, Fax: (44) (0)1656 776220
uk@invacare.com / www.invacare.co.uk