

# ***Spare Parts Catalogue***

---

Version: 2013/03/26a NO



*küschall® Champion*



**Yes, you can.®**

## **General Information**

*For any order of spare parts the following information is required:*

- Product type*
- Product name & model*
- Serial Number*
- Part-Number*
- Part-Description*

*Exploded view drawings and code numbers are not contractual and subject to modification, in relation to Invacare® continuous product improvement policy to meet end users needs.*

*The reproduction or use of this work, or of any substantial part of this work, in any form or by any electronic, mechanical or other means, including photocopying, scanning and recording, and in any information storage and retrieval system, including electronic transmission, is forbidden without the prior written permission of Invacare® International Sarl.*



Yes, you can.®

## TABLE OF CONTENTS

---

### Informasjon

(Frame colours) .....	5
(CPS colours) .....	6

### Chassis

Chassis .....	7
(Frame) .....	8
(Folding unit) .....	10

### Sete

Sete .....	12
(Seat module) .....	13
(Seat cushion standard) .....	15

### Rygg

Rygg .....	16
(Backrest) .....	17
(Tension adjustable backrest) .....	18
(Push handles, height adjustable, rear set) .....	20

### Fotplate

Fotplate .....	21
(Footrest) .....	22
(Calf strap) .....	23

### Armlen

Armlen .....	24
(Clothes-guards) .....	25
(Mudguards) .....	26
(Tubular armrest) .....	27

### Sving-og Drivhjul

Sving-og Drivhjul .....	28
(Front wheel supporter) .....	29
(Front wheels) .....	31

### Drivhjul

Drivhjul .....	33
(22" rear wheels complete) .....	34
(22" rear wheel accessories) .....	36
(24" rear wheels complete) .....	37
(24" rear wheel accessories) .....	39
(26" rear wheels complete) .....	41
(26" rear wheel accessories) .....	43
(High performance) .....	44
(Mountain bike wheel) .....	46
(Spider wheel) .....	47



**Yes, you can.®**

## **TABLE OF CONTENTS**

---

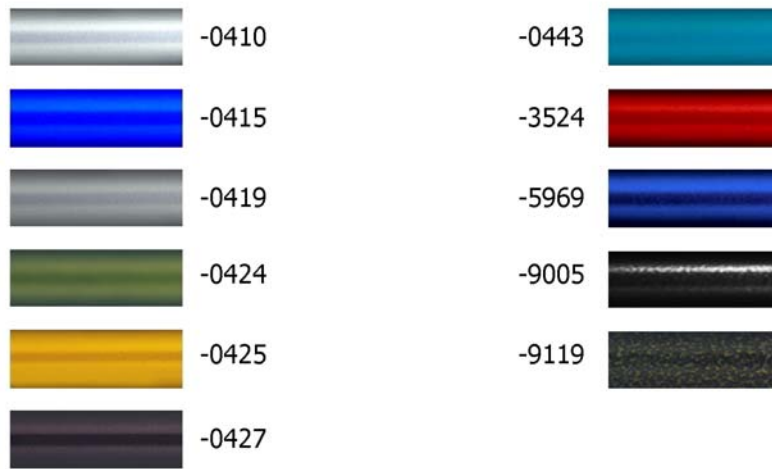
(Spinergy wheel) .....	48
(Drum brake wheel) .....	49

### **Bremser**

Bremser .....	51
(Brakes) .....	52

### **Utstyr og tilbehør**

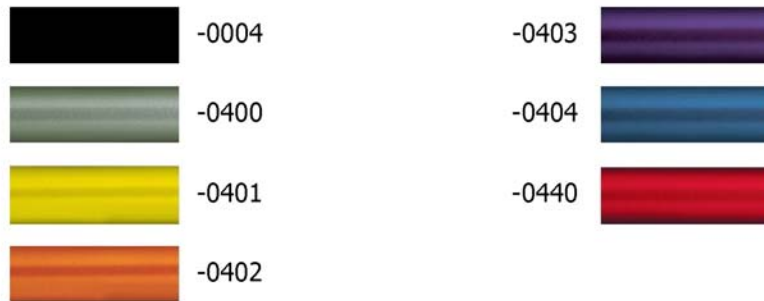
Utstyr og tilbehør .....	53
(Transit wheels) .....	54
(Antitipper) .....	55
(Tipper aid) .....	56
(Cane holder) .....	57
(Chair accessories) .....	58




---

-0410	-	(Color code for polished frames)	0
-0419	-	(Color code for silver grey frames)	0
-0424	-	(Color code for cyber green frames)	0
-0425	-	(Color code for xantic yellow frames)	0
-0427	-	(Color code for mystic purple frames)	0
-0443	-	(Color code for pearly sapphire frames)	0
-3524	-	(Color code for royal red frames)	0
-5969	-	(Color code for royal blue frames)	0
-9005	-	(Color code for glossy black frames)	0
-9119	-	(Color code for black bronze frames)	0

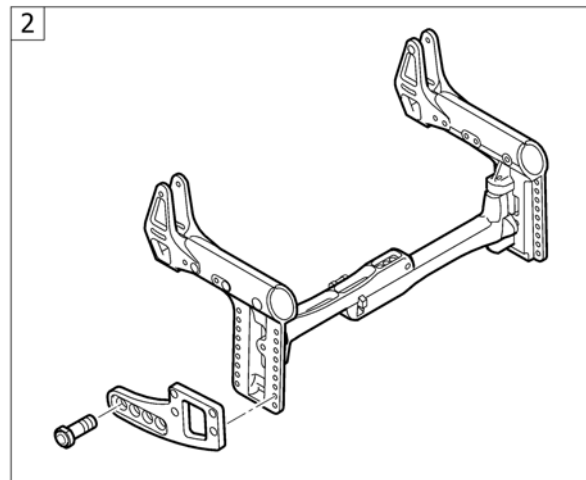
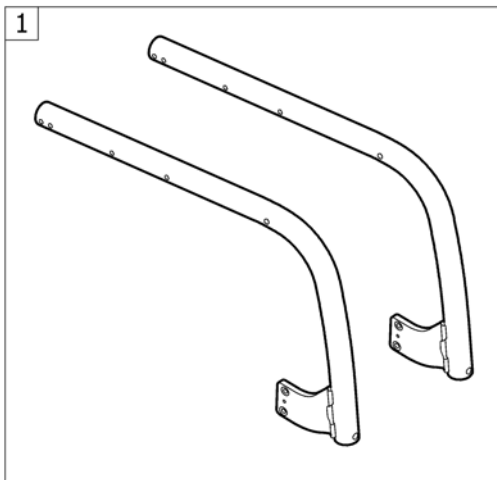
## (CPS colours)



---

-0004	-	(Color code for black anodized CPS)	0
-0400	-	(Color code for techno-anthrazit CPS)	0
-0401	-	(Color code for lemon CPS)	0
-0402	-	(Color code for apricot CPS)	0
-0404	-	(Color code for b-blue CPS)	0
-0440	-	(Color code for comet red CPS)	01.01.2007 → 0

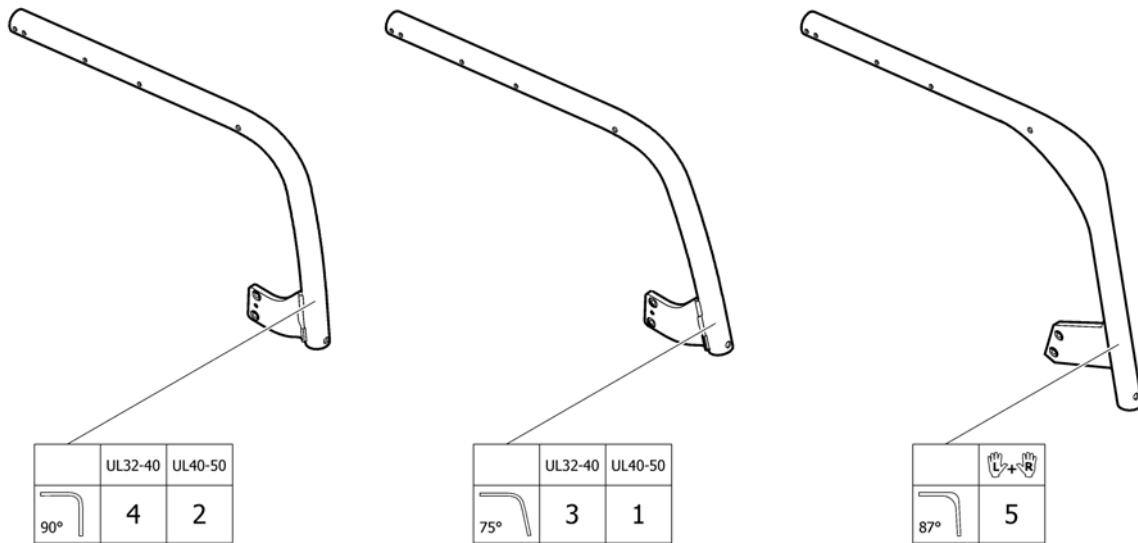
# Chassis




---

1	-	(Frame)	→ 31.03.2008	1
2	-	(Folding unit)	→ 31.03.2008	1

**(Frame)**



1	1438914-0410	(Frame 75° UL40-50 Polished)		2
1	1438914-0419	(Frame 75° UL40-50 Silver Grey)		2
1	1438914-0424	(Frame 75° UL40-50 Cyber Green)		2
1	1438914-0425	(Frame 75° UL40-50 Xantic Yellow)		2
1	1438914-0427	RAMME 75 G LANG SD40-50 CHAMPION		2
1	1438914-0443	(Frame 75° UL40-50 pearly sapphire)	01.01.2007 →	2
1	1438914-3524	(Frame 75° UL40-50 Royal Red)		2
1	1438914-5969	(Frame 75° UL40-50 Royal Blue)		2
1	1438914-9005	(Frame 75° UL40-50 Black glossy)		2
1	1438914-9119	(Frame 75° UL40-50 Black bronze)		2
2	1438916-0410	(Frame 90° UL40-50 Polished)		2
2	1438916-0419	(Frame 90° UL40-50 Silver Grey)		2
2	1438916-0424	RAMME 90GR LANG SD40-50 CHAMPION 03 CYBER GREEN		2
2	1438916-0425	(Frame 90° UL40-50 Xantic Yellow)		2
2	1438916-0427	(Frame 90° UL40-50 Mystic Purple)		2
2	1438916-0443	(Frame 90° UL40-50 pearly sapphire)	01.01.2007 →	2
2	1438916-3524	(Frame 90° UL40-50 Royal Red)		2
2	1438916-5969	(Frame 90° UL40-50 Royal Blue)		2
2	1438916-9005	(Frame 90° UL40-50 Black glossy)		2
2	1438916-9119	(Frame 90° UL40-50 Black bronze)		2
3	1438913-0410	(Frame 75° UL32-40 Polished)		2
3	1438913-0419	(Frame 75° UL32-40 Silver Grey)		2
3	1438913-0424	(Frame 75° UL32-40 Cyber Green)		2
3	1438913-0425	(Frame 75° UL32-40 Xantic Yellow)		2
3	1438913-0427	RAMME 75 G LANG SD32-40 CHAMPION		2
3	1438913-0443	(Frame 75° UL32-40 pearly sapphire)	01.01.2007 →	2
3	1438913-3524	(Frame 75° UL32-40 Royal Red)		2
3	1438913-5969	(Frame 75° UL32-40 Royal Blue)		2
3	1438913-9005	(Frame 75° UL32-40 Black glossy)		2
3	1438913-9119	(Frame 75° UL32-40 Black bronze)		2
4	1438915-0410	(Frame 90° UL32-40 Polished)		2

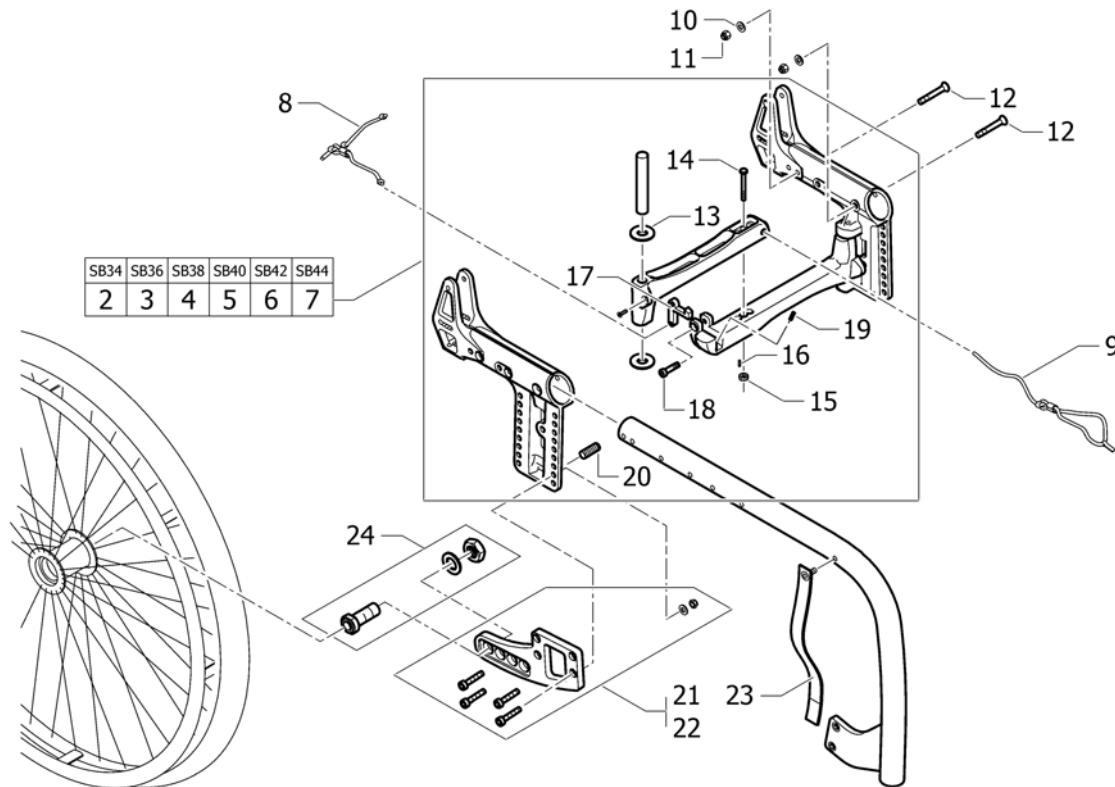


**(Frame)**

---

4	1438915-0419	(Frame 90° UL32-40 Silver Grey)		2
4	1438915-0424	(Frame 90° UL32-40 Cyber Green)		2
4	1438915-0425	(Frame 90° UL32-40 Xantic Yellow)		2
4	1438915-0427	(Frame 90° UL32-40 Mystic Purple)		2
4	1438915-0443	(Frame 90° UL32-40 pearly sapphire)	01.01.2007 →	2
4	1438915-3524	(Frame 90° UL32-40 Royal Red)		2
4	1438915-5969	(Frame 90° UL32-40 Royal Blue)		2
4	1438915-9005	(Frame 90° UL32-40 Black glossy)		2
4	1438915-9119	(Frame 90° UL32-40 Black bronze)		2
5	1525325	(Frame Carbon 87°, pair)		1

## (Folding unit)



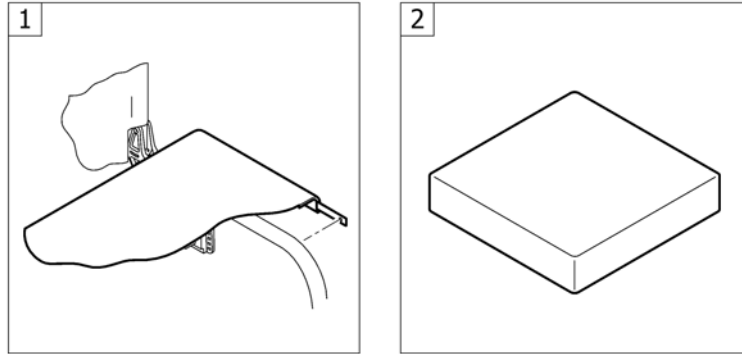
2	1425172	FOLDEMEKANISME SB34 CHAMPION	1
3	1425173	FOLDEMEKANISME SB 36 KPL CHAMPION	1
4	1425174	FOLDEMEKANISME SB38 CHAMPION	1
5	1425175	FOLDEMEKANISME SB40 CHAMPION	1
6	1425176	FOLDEMEKANISME SB 42 KPL CHAMPION	1
7	1425177	FOLDEMEKANISME SB44 CHAMPION	1
8	1432115	REIM FOLDE SAMMEN HJELP NY CHAMPION	1
9	1432114	REIM FOLDE UT MEKANISME NY CHAMPION	1
10	150.2001	SKIVE 6 4/12 5X0 8 STD 6MM SKRUE KUSCHALL ALLE	4
11	109.1004	MUTTER M/LÅSEPAKN M6 KL6 KUSCHALL ALLE	4
12	100.3134	SKRUE SENK M6X50 10 9	4
13	151.1001	SKIVE PLAST 10 5/20X1 KRYSS KUSCHALL CH	4
14	1425183	AKSLINGSSKRUE FOR FOLDEMEKANISMEN CHAMPION	1
15	1425184	(Regulator nut M8x1)	1
16	116.1046	SKRUE M4X12 45H KÜSCHALL	1
17	550.1119	LÅS KRYSS KUSCHALLCHAMPION	1
18	107.1022	(Cylinder bolt, hex. M6x20 k=1.5)	1
19	235.1018	FJÆR 0 8/5 5/23/8 5 LÅS KRYSS KUSCHALLCH	1
20	1425186	(Safety bolt, scissor axle)	2
21	1432112-0004	ADAPTERPLATE KIT HØ SORT CHAMPION	1
21	1432112-0400	ADAPTERPLATE KIT HØ CHAM PION TECNO	1
21	1432112-0401	(Adapter plate, kit right, lemon)	1
21	1432112-0402	(Adapter plate, kit right, apricot)	1
21	1432112-0404	(Adapter plate, kit right, b-blue)	1
21	1432112-0440	(Adapter plate, kit right, comet red)	01.01.2007 → 1
22	1432113-0004	ADAPTERPLATE KIT VE SORT CHAMPION	1
22	1432113-0400	ADAPTERPLATE KIT VE CHAM PION TECNO	1
22	1432113-0401	(Adapter plate, kit left, lemon)	1
22	1432113-0402	(Adapter plate, kit left, apricot)	1
22	1432113-0404	(Adapter plate, kit left, b-blue)	1
22	1432113-0440	(Adapter plate, kit left, comet red)	01.01.2007 → 1

**(Folding unit)**

---

23	1432116	REIM FIKSERING CHAMPION VED SAMMENFELT STOL	1
24	1432111	HURTIGKOBBLINGSHYLSE KORT M/MUTTER KUSCHALL CHAMP.	2

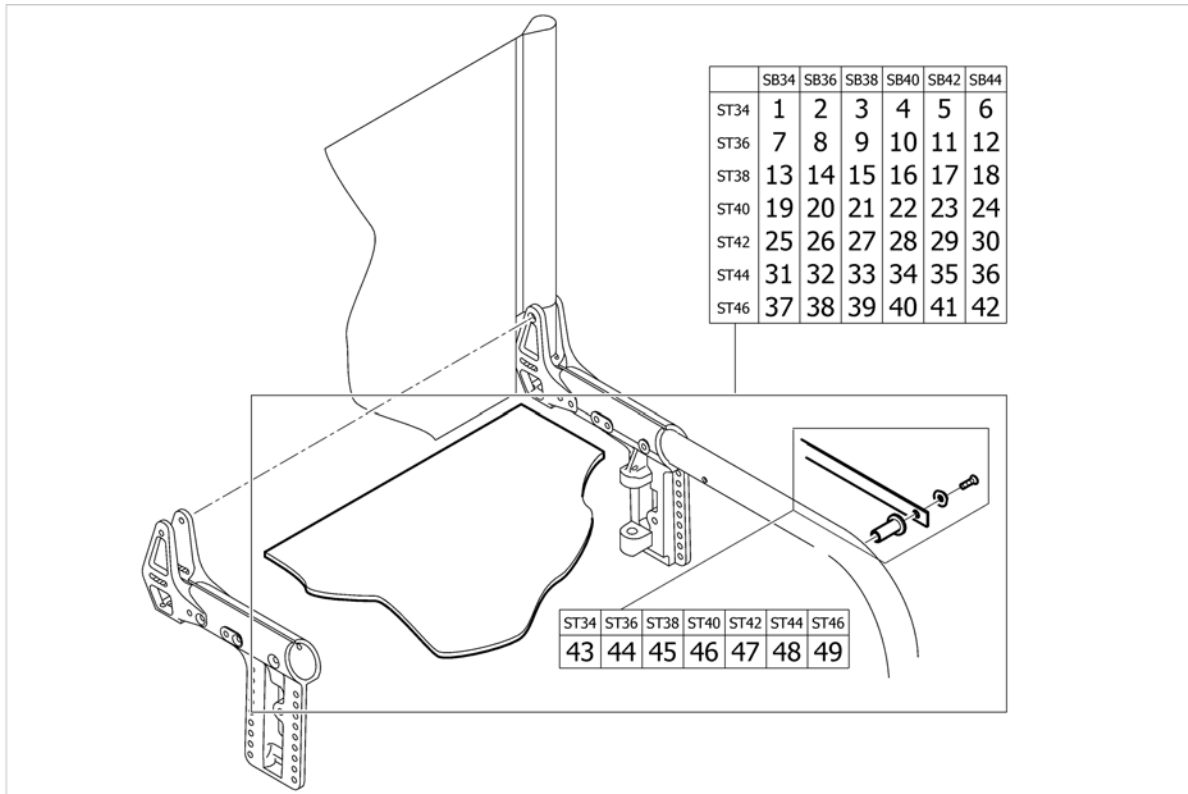
# Sete



---

1	-	(Seat module)	→ 31.03.2008	1
2	-	(Seat cushion standard)	→ 31.03.2008	1

**(Seat module)**

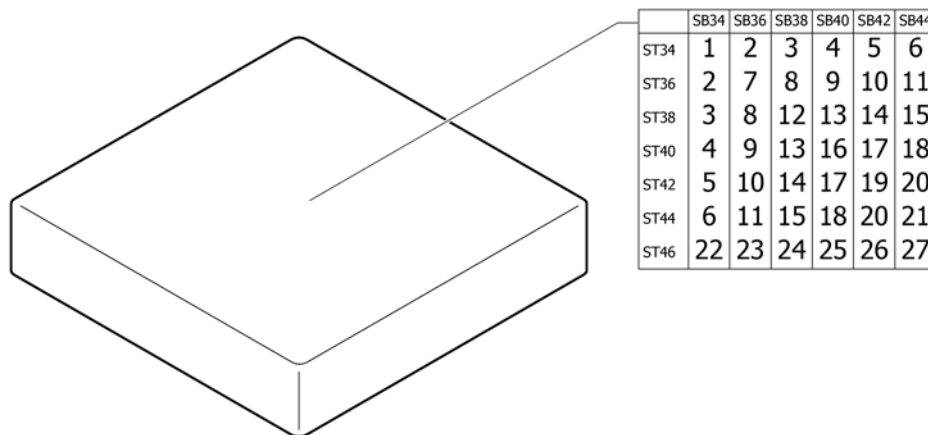


1	1432298	SETETREKK SB34 SD34 KIT CHAMPION	1
2	1432299	SETETREKK SB36 SD34 KIT CHAMPION	1
3	1432300	SETETREKK SB38 SD34 KIT CHAMPION	1
4	1432301	SETETREKK SB40 SD34 KIT CHAMPION	1
5	1432302	SETETREKK SB42 SD34 KIT CHAMPION	1
6	1432303	SETETREKK SB44 SD34 KIT CHAMPION	1
7	1432304	SETETREKK SB34 SD36 KIT CHAMPION	1
8	1432305	SETETREKK SB36 SD36 KIT CHAMPION	1
9	1432306	SETETREKK SB38 SD36 KIT CHAMPION	1
10	1432307	SETETREKK SB40 SD36 KIT CHAMPION	1
11	1432308	SETETREKK SB42 SD36 KIT CHAMPION	1
12	1432309	SETETREKK SB44 SD36 KIT CHAMPION	1
13	1432310	SETETREKK SB34 SD38 KIT CHAMPION	1
14	1432311	SETETREKK SB36 SD38 KIT CHAMPION	1
15	1432312	SETETREKK SB38 SD38 KIT CHAMPION	1
16	1432313	SETETREKK SB40 SD38 KIT CHAMPION	1
17	1432314	SETETREKK SB42 SD38 KIT CHAMPION	1
18	1432315	SETETREKK SB44 SD38 KIT CHAMPION	1
19	1432065	SETETREKK SB 36 SD 40 CHAMPION	1
20	1432066	SETETREKK SB 34 SD 40 CHAMPION	1
21	1432067	SETETREKK SB 38 SD 40 CHAMPION-bruk 1507659	1
22	1432068	SETETREKK SB 40 SD 40 CHAMPION	1
23	1432069	SETETREKK SB 42 SD 40 CHAMPION	1
24	1432070	SETETREKK SB 44 SD 40 CHAMPION	1
25	1432316	SETETREKK SB34 SD42 KIT CHAMPION	1
26	1432317	SETETREKK SB36 SD42 KIT CHAMPION	1
27	1432318	SETETREKK SB38 SD42 KIT CHAMPION	1
28	1432319	SETETREKK SB40 SD42 KIT CHAMPION	1
29	1432320	SETETREKK SB42 SD42 KIT CHAMPION	1
30	1432321	SETETREKK SB44 SD42 KIT CHAMPION	1
31	1432322	SETETREKK SB34 SD44 KIT CHAMPION	1

**(Seat module)**

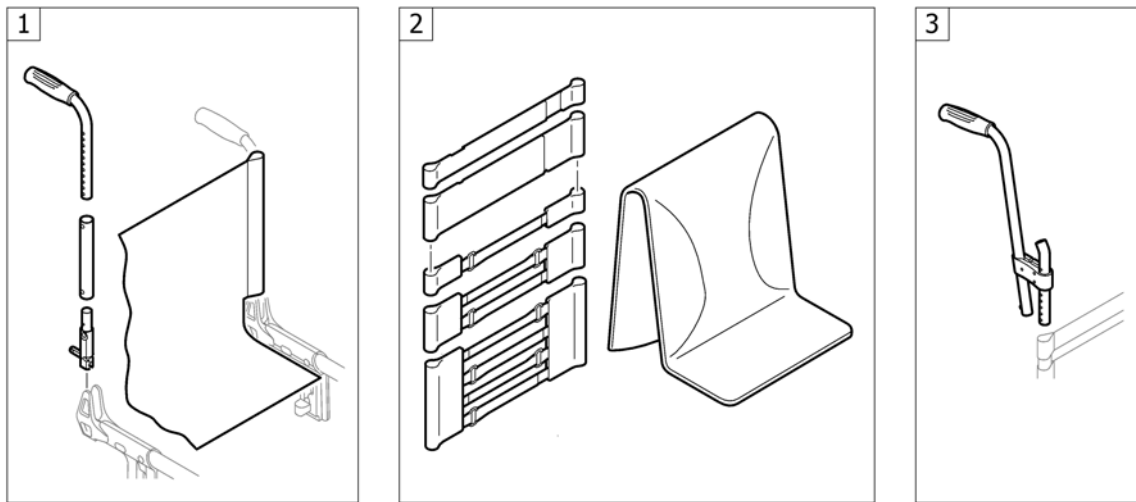
---

32	1432323	SETETREKK SB36 SD44 KIT CHAMPION	1
33	1432324	SETETREKK SB38 SD44 KIT CHAMPION	1
34	1432325	SETETREKK SB40 SD44 KIT CHAMPION	1
35	1432326	SETETREKK SB42 SD44 KIT CHAMPION	1
36	1432327	SETETREKK SB44 SD44 KIT CHAMPION	1
37	1432071	SETETREKK SB 34 SD 45 CHAMPION	1
38	1432072	SETETREKK SB 36 SD 45 CHAMPION	1
39	1432073	SETETREKK SB 38 SD 45 CHAMPION	1
40	1432074	SETETREKK SB 40 SD 45 CHAMPION	1
41	1432075	SETETREKK SB 42 SD 45 CHAMPION	1
42	1432076	SETETREKK SB 44 SD 45 CHAMPION	1
43	1432328	\$FESTE KIT FOR SETETREKK SD34 CHAMP	1
44	1432329	\$FESTE KIT FOR SETETREKK SD36 CHAMP	1
45	1432330	\$FESTE KIT FOR SETETREKK SD38 CHAMP	1
46	1432077	FESTE KIT FOR SETETREKK SD40 CHAMP	1
47	1432331	\$FESTE KIT FOR SETETREKK SD42 CHAMP	1
48	1432332	\$FESTE KIT FOR SETETREKK SD44 CHAMP	1
49	1432078	FESTE KIT FOR SETETREKK SD46 CHAMP	1

**(Seat cushion standard)**

1	1556325	SETEPUTE 34/34/5 SVART KUSCHALL	1
2	1556326	(Seat cushion 340mm x 360mm)	1
3	1556327	(Seat cushion 340mm x 380mm)	1
4	1556328	(Seat cushion 340mm x 400mm)	1
5	1556329	(Seat cushion 340mm x 420mm)	1
6	1556330	(Seat cushion 340mm x 440mm)	1
7	1556335	SETEPUTE 36X36X5 KUSCHALL	1
8	1556336	PUTE SETE SB 36 SD38 KUSCHALL	1
9	1556337	SETEPUTE 360mm x 400mm KUSCHALL	1
10	1556338	(Seat cushion 360mm x 420mm)	1
11	1556339	(Seat cushion 360mm x 440mm)	1
12	1556344	(Seat cushion 380mm x 380mm)	1
13	1556345	(Seat cushion 380mm x 400mm)	1
14	1556346	(Seat cushion 380mm x 420mm)	1
15	1556347	(Seat cushion 380mm x 440mm)	1
16	1556352	SETEPUTE 40/40/5 SORT KUSCHALL	1
17	1556353	SETEPUTE 40/42/5 SORT KUSCHALL	1
18	1556354	SETEPUTE 40X44X5 SORT KUSCHALL	1
19	1556359	SETEPUTE 420mm x 420mm KUSCHALL	1
20	1556360	(Seat cushion 420mm x 440mm)	1
21	1556365	SETEPUTE 44/44/5 SORT KUSCHALL	1
22	1556331	(Seat cushion 340mm x 460mm)	1
23	1556340	(Seat cushion 360mm x 460mm)	1
24	1556348	(Seat cushion 380mm x 460mm)	1
25	1556355	SETEPUTE 400mm x 460mm KUSCHALL	1
26	1556361	(Seat cushion 420mm x 460mm)	1
27	1556366	SETEPUTE 46/44/5 SORT KUSCHALL	1

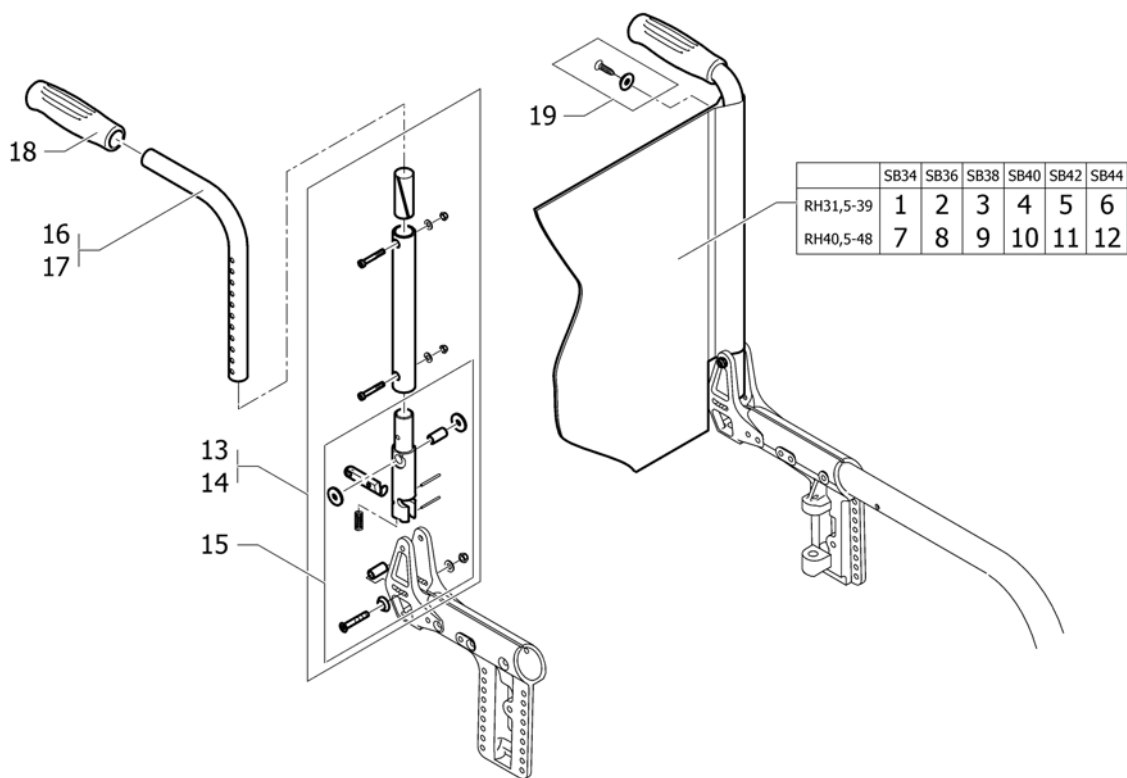
# Rygg



---

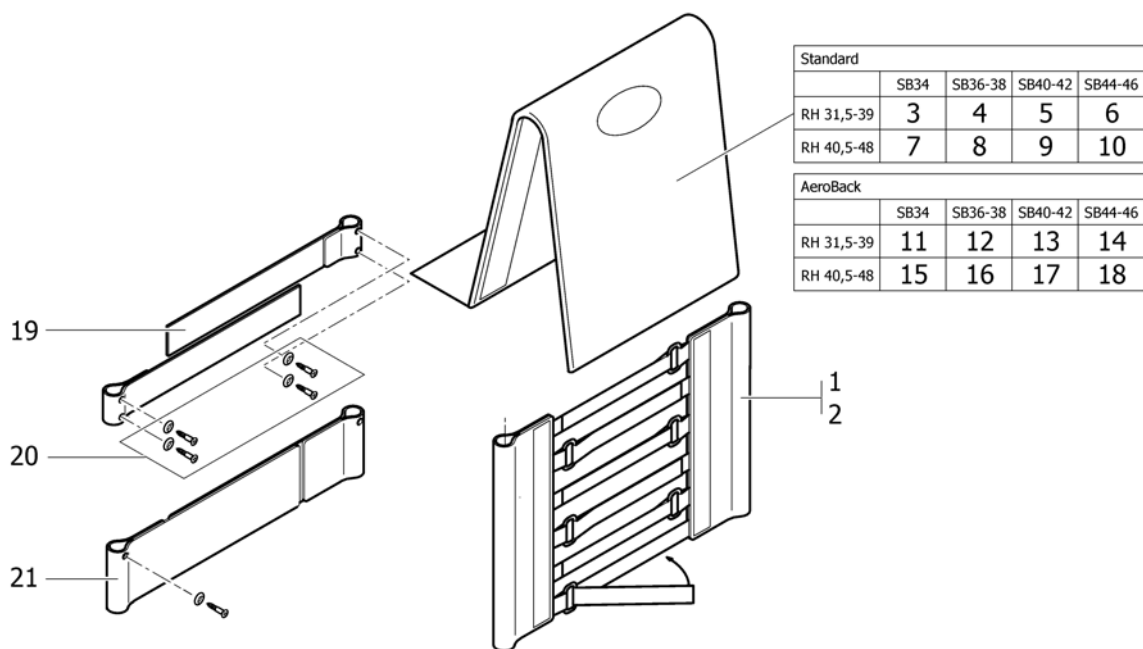
1	-	(Backrest)	→ 31.03.2008	1
2	-	(Tension adjustable backrest)	→ 31.03.2008	1
3	-	(Push handles, height adjustable, rear set)	→ 31.03.2008	1



**(Backrest)**

1	1517661	(Backrest cover short SB34) <i>Replaces 1432037</i>	1
2	1517662	(Backrest cover short SB36) <i>Replaces 707.1100</i>	1
3	1517663	(Backrest cover short SB38) <i>Replaces 707.1101</i>	1
4	1517664	(Backrest cover short SB40) <i>Replaces 707.1102</i>	1
5	1517665	(Backrest cover short SB42) <i>Replaces 707.1103</i>	1
6	1517666	(Backrest cover short SB44) <i>Replaces 707.1104</i>	1
7	1517667	(Backrest cover long SB34) <i>Replaces 1432038</i>	1
8	1517668	(Backrest cover long SB36) <i>Replaces 707.1105</i>	1
9	1517669	(Backrest cover long SB38) <i>Replaces 707.1106</i>	1
10	1517670	(Backrest cover long SB40) <i>Replaces 707.1107</i>	1
11	1517671	(Backrest cover long SB42) <i>Replaces 707.1108</i>	1
12	1517672	(Backrest cover long SB44) <i>Replaces 707.1109</i>	1
13	1432079	RYGGRØRHOLDER KIT HØYRE CHAMPION	1
14	1432080	RYGGRØRHOLDER KIT VENSTR CHAMPION	1
15	1432119	RYGGFESTE NEDRE CHAPION	2
16	1432081	RYGGRØR MEDIUM M/KJØREH KUSCHALLCOCOK	2
17	1432082	RYGGRØR L M/KJØREHÅNDTAK CHAMPION KÜSCHALL	2
18	1507734	KJØREHÅNDTAK SVART PLAST PAR KUSCHALL	1
19	1432083	FESTEKIT FOR RYGGBÅND CHAMPION KÜSCHALL	1

## (Tension adjustable backrest)

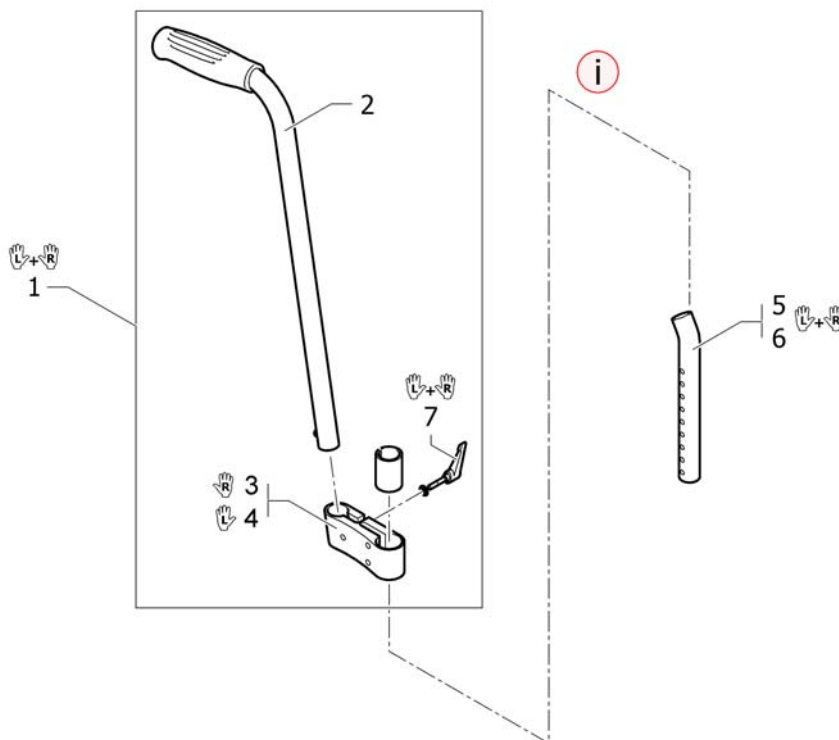


1	1513169	VELCROBÅND JUSTERBART M 4 STROPP KUSCHALL <i>Replaces 707.1087</i>	1
2	1517520	VELCRODEL 6 BÅND <i>Replaces 707.1075</i>	1
3	1512144	RYGGOVERDRAG STD SB32-34 KUSCHALL R33 K4 AIRLITE <i>Replaces 1432010</i>	1
4	1512145	RYGGOVERDRAG STD SB36-38 KUSCHALL R33 K4 AIRLITE <i>Replaces 1432012</i>	1
5	1512146	RYGGOVERDRAG STD SB40-42 KUSCHALL R33 K4 AIRLITE <i>Replaces 1432014</i>	1
6	1512147	RYGGOVERDRAG 44-46 MEDIU CHAMPION SB 44 <i>Replaces 1438893</i>	1
7	1512151	RYGGTREKK SB 32-34 REG RYGG LANG <i>Replaces 1432016</i>	1
8	1512152	RYGGTREKK SB36-38 LANG FOR VELCRO KUSCHALL <i>Replaces 1432018</i>	1
9	1512153	RYGGTREKK SB40-42 LANG FOR VELCRO KUSCHALL <i>Replaces 1432020</i>	1
10	1512154	RYGGTREKK KPL SB44-46 LANG CHAMPION KUSCHALL <i>Replaces 1438896</i>	1
11	1512161	RYGGTREKK SB32-34 MEDIUM AEROBACK KUSCHALL <i>Replaces 1438455</i>	1
12	1512162	RYGGTREKK SB36-38 MEDIUM AEROBACK KUSCHALL <i>Replaces 1438457</i>	1
13	1512163	RYGGTREKK SB40-42 MEDIUM AEROBACK KUSCHALL <i>Replaces 1438459</i>	1
14	1512164	RYGGTREKK SB44-46 MEDIUM AEROBACK KUSCHALL <i>Replaces 1438461</i>	1
15	1512166	RYGGTREKK SB 32-34 REG RYGG AERO LANG <i>Replaces 1438464</i>	1
16	1512167	RYGGTREKK AEROBACK SB36-38 LANG VELCRO RYGG <i>Replaces 1438466</i>	1
17	1512168	RYGGTREKK SB40-42 LANG AEROBACK CHAMPION-2008 <i>Replaces 1438468</i>	1
18	1512169	RYGGTREKK SB44-46 LANG AEROBACK KUSCHALL <i>Replaces 1438470</i>	1

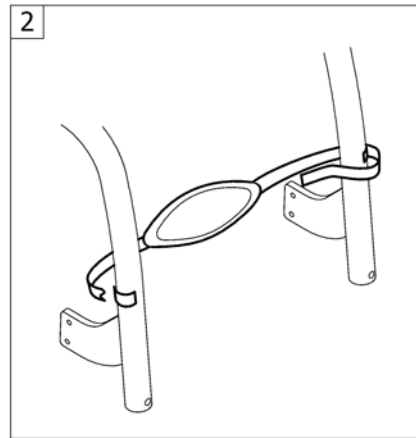
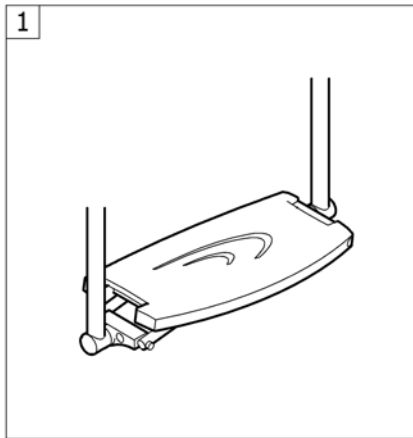
---

19	1513170	VELCROREM 2-DELT 5 CM PAR <i>Replaces 709.1009</i>	1
20	1432083	FESTEKIT FOR RYGGBÅND CHAMPION KÜSCHALL	1
21	1513171	VELCROBÅND TOPP 10 CM 2-DELT ALLE 2008-> <i>Replaces 709.1018</i>	1

**(Push handles, height adjustable, rear set)**



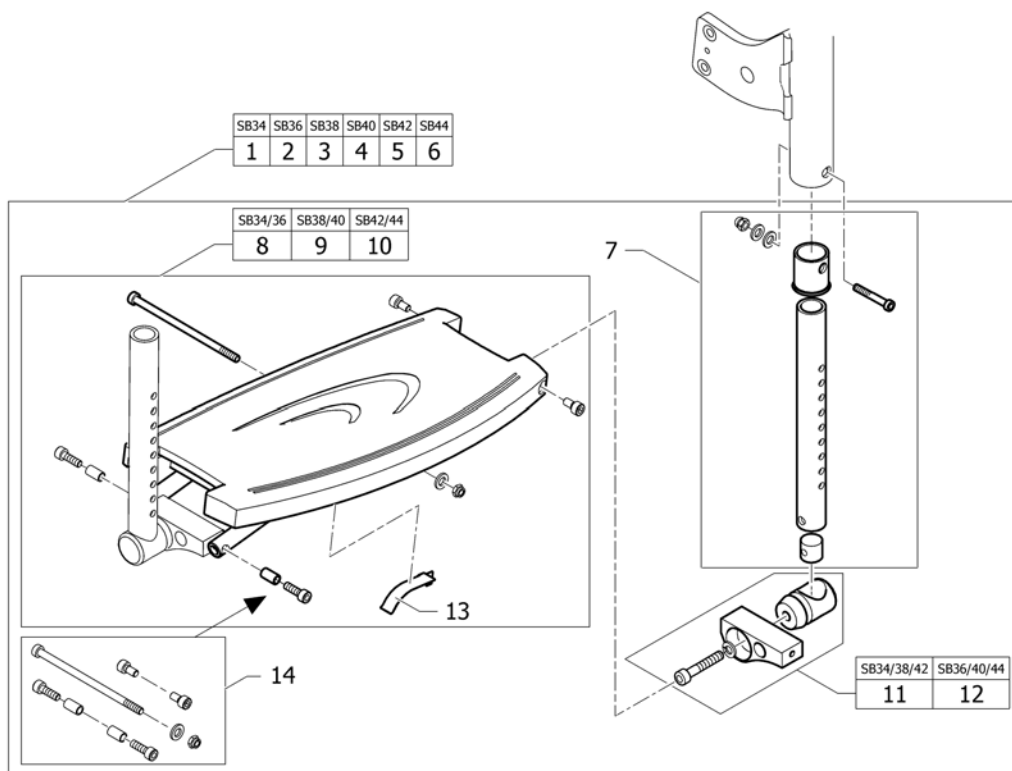
i	-	(Only possible with tension adjustable or Aero back upholstery)	→ 31.03.2008	0
1	1517876	KJØREHÅNDTAK KOMPL PAR FESTE PÅ RYGGALLE <i>Replaces 907.1157</i>		1
2	1438938	BAKENFORLIG KJØREH KPL UTEN FESTE KUSCHALL		2
3	1438939	FESTE BAKENFORLIG KJØREH HØYRE ALLE STOLER		1
4	1438940	FESTE BAKENFORLIG KJØREH VENSTRE ALLE STOLER		1
5	1512041	(Telescopic tube, bended, short, pair)		1
6	1512042	KJØREHÅNDTAK LANGE TELESKOP CHAMP 08		1
7	1529799	PLASTHÅNDTAK FOR REG AV BEKENFORL KJØREHÅNDTAK		1




---

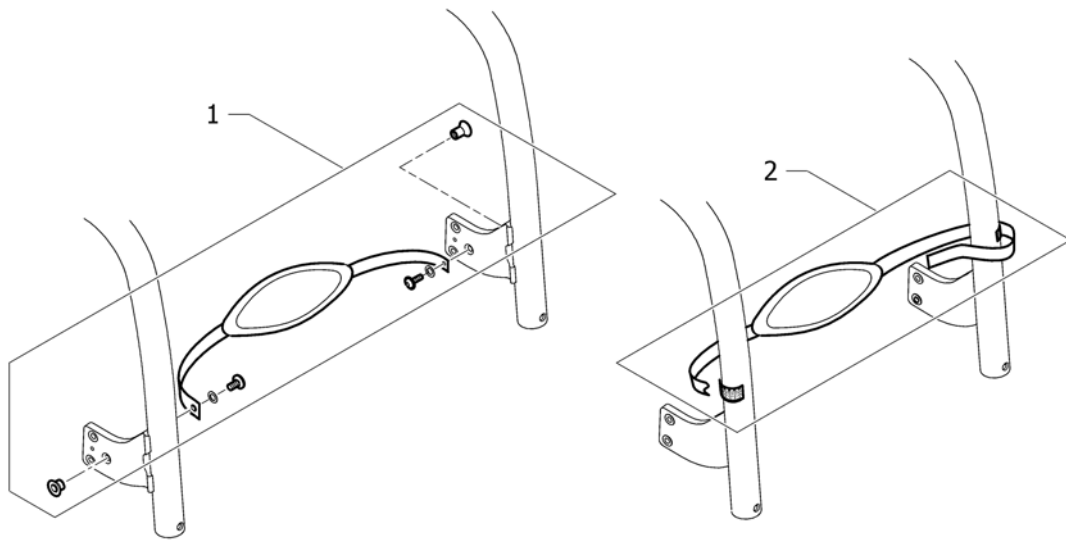
1	-	(Footrest)	→ 31.03.2008	1
2	-	(Calf strap)	→ 31.03.2008	1

# (Footrest)



1	1432049	FOTBRETT HEL SB 34 KPL CHMAPION	1
2	1432050	FOTBRETT HEL SB 36 KPL CHAMPION	1
3	1432051	FOTBRETT HEL SB 38 KPL CHAMPION	1
4	1432052	FOTBRETT HEL SB 40 KPL CHAMPION	1
5	1432053	FOTBRETT HEL SB 42 KPL CHAMPION FRA 03	1
6	1432054	FOTBRETT HEL SB 44 KPL CHAMPION	1
7	1432085	(Telescopic kit, footplate)	2
8	1432088	FOTPLATE LITEN CHAMPION	1
9	1432089	FOTPLATE MED CHAMPION	1
10	1432090	FOTPLATE STOR CHAMPION	1
11	1432086	(Lateral fixation, conical, short)	2
12	1432087	ANNLEGG FOR FOTBRETT CHMAPION SB 36/40/44	2
13	1425196	(spring, folding aid Champion2003)	1
14	1432123	FESTE TIL FOTPLATE CHAMP	1
15	1439147	(Assembly kit for high mounted footplate, SB34/38/42)	1
16	1439148	(Assembly kit for high mounted footplate, SB36/40/44)	1

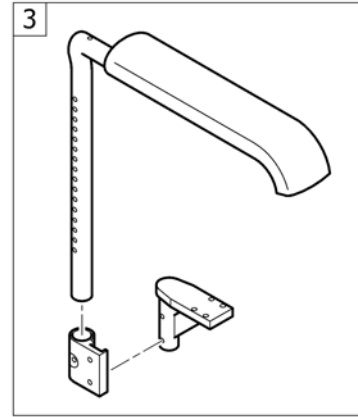
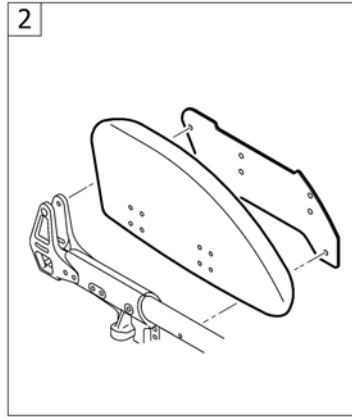
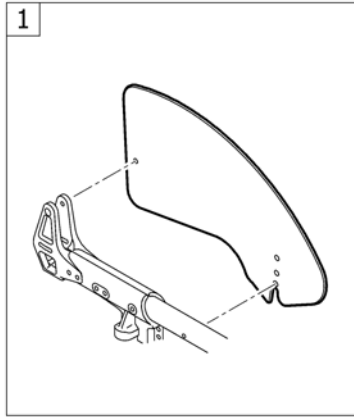
**(Calf strap)**




---

1	1432117	HÆLKAPPE KPL FOR ALUMINI RAMME CHAMP	1
2	1432118	SHÆLKAPPE KPL FOR KARBON RAMME CHAMP	1

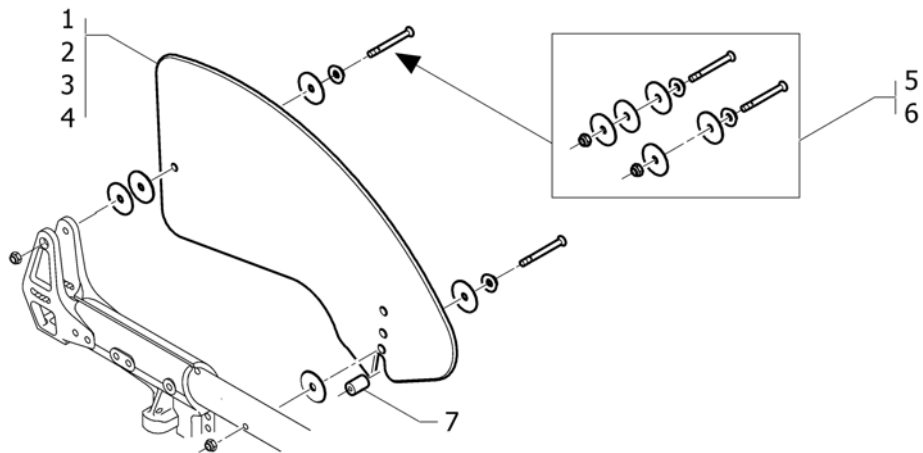
# Armlen



---

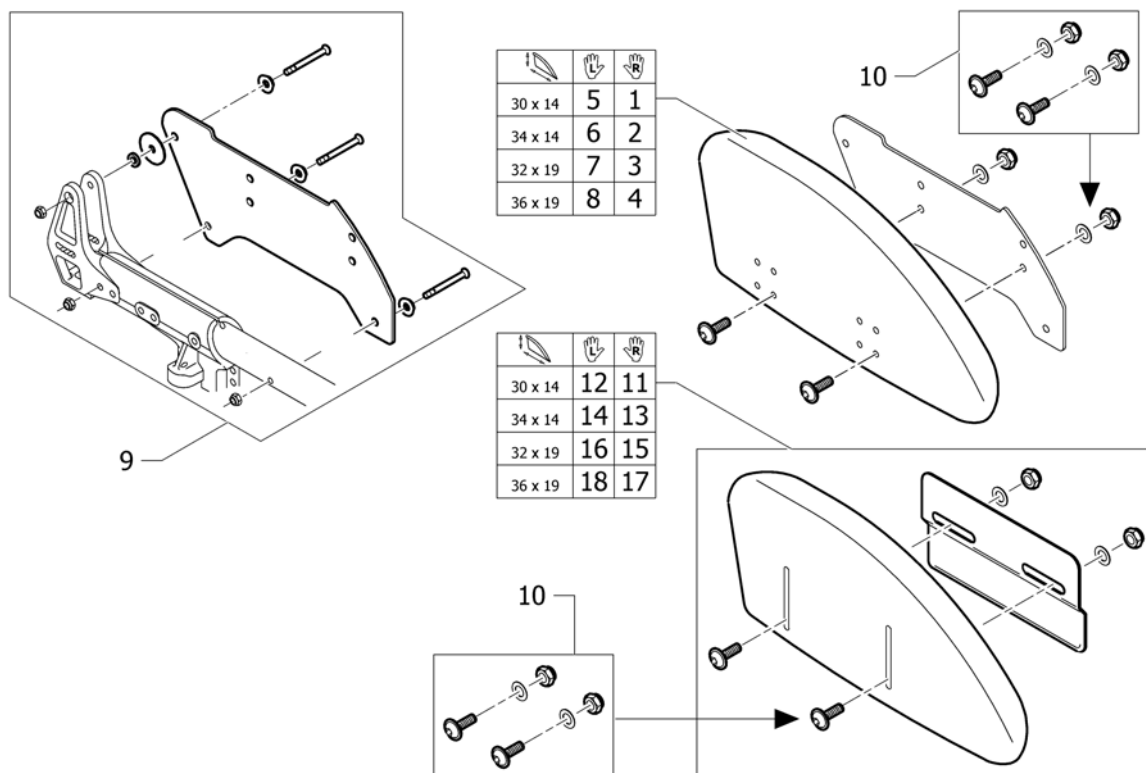
1	-	(Clothes-guards)	→ 31.03.2008	1
2	-	(Mudguards)	→ 31.03.2008	1
3	-	(Tubular armrest)	→ 31.03.2008	1



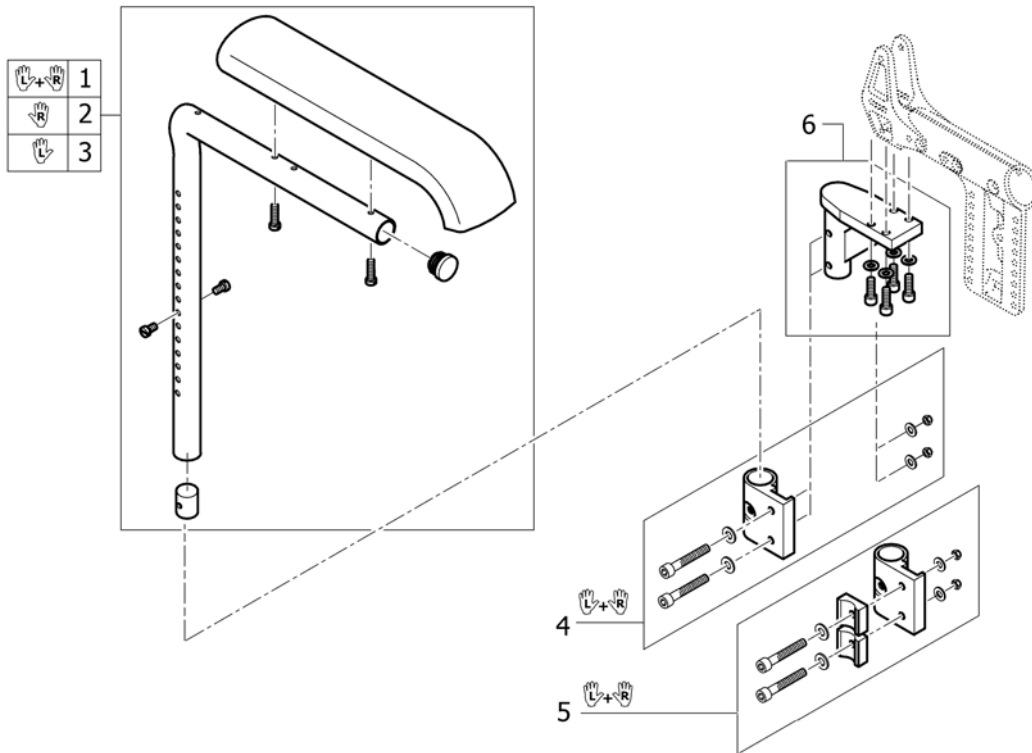


1	1432025	KLESBESKYTTER HØ CHAMPION 2003	1
2	1432027	KLESBESKYTTER HØ STOR CHAMPION	1
3	1432026	KLESBESKYTTER VE CHAMPION 2003	1
4	1432028	KLESBESKYTTER VE STOR CHAMPION	1
5	1432093	FESTE SETT KLESBESKYT NY CHAMPION	2
6	1432094	FESTE SETT HJULSKJERM AVTAKBAR NY CHAMPION	2
7	305.1087	DISTANSEHYLSE INNFELLB KLESBESKYTTER CHAMPION	2

# (Mudguards)

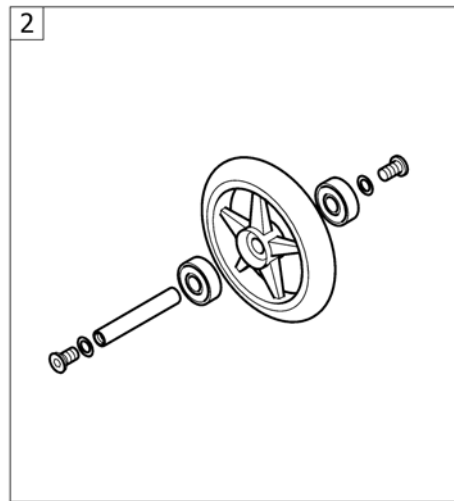
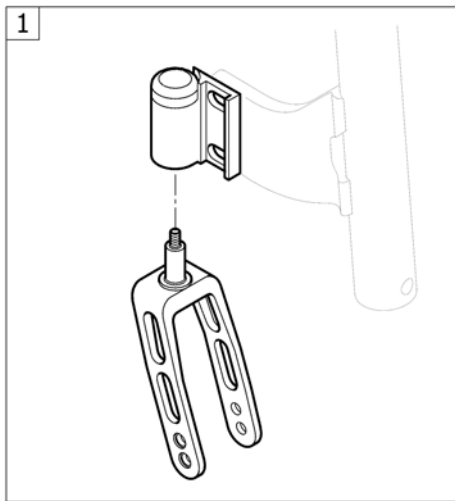


1	1432029	HJULSKJERM HØ LITEN CHAMPION NY+1432092	1
2	1432031	HJULSKJERM HØ MEDIUM CHAMPION NY+1432092	1
3	1432033	HJULSKJERM HØ STOR CHAMPION NY+1432092	1
4	1432035	HJULSKJERM HØ XSTOR CHAMPION NY+1432092	1
5	1432030	HJULSKJERM VE LITEN CHAMPION NY +1432092	1
6	1432032	HJULSKJERM VE MEDIUM CHAMPION NY+1432092	1
7	1432034	HJULSKJERM VE STOR CHAMPION NY+1432092	1
8	1432036	HJULSKJERM VE XSTOR CHAMPION NY+1432092+93	1
9	1432092	FESTE SETT HJULSKJERM NY CHAMPION	2
10	1432091	FESTE SETT HJULSKJERM CHAMPION 2003	2
11	1432200	HJULSKJERM AVTAGBAR KORT HØ KPL CHAMPION	1
12	1432201	HJULSKJERM AVTAGBAR KORT VE KPL CHAMPION	1
13	1432202	HJULSKJERM AVTAGBAR LANG HØ KPL CHAMPION	1
14	1432203	HJULSKJERM AVTAGBAR LANG VE KPL CHAMPION	1
15	1432205	HJULSKJERM HØ LITEN AVTB CHAMPION NY+1432094	1
16	1432206	HJULSKJERM VE LITEN AVTB CHAMPION NY+1432094	1
17	1432207	HJULSKJERM AVTAGBAR LANG HØ KPL CHAMPION	1
18	1432208	HJULSKJERM AVTAGBAR LANG VE KPL CHAMPION	1



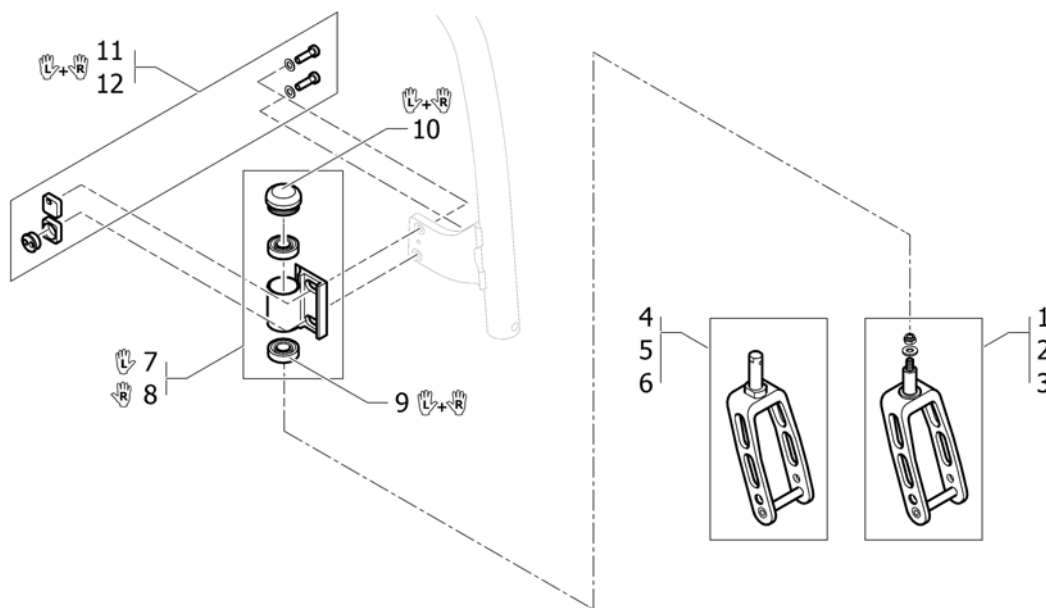
1	1432099	ARMLER SPORT PAD PAR CHAMPION UTEN FESTER.	1
2	1432101	ARMLERNE M/STD.POLSTER HØ CHAMPION	1
3	1432102	ARMLERNE M/STD.POLSTER VE CHAMPION	1
4	1432097	HOLDER ADAPTER CHAMPION ARMLER SETT	1
5	1432098	HOLDER ADAPTER CHAMPION ARMLER HORIZONTAL SETT	1
6	1432095	HOLDER ADAPTER CHAMPION ARMLER/TIPPESIKRING SETT	2

# Sving-og Drivhjul



---

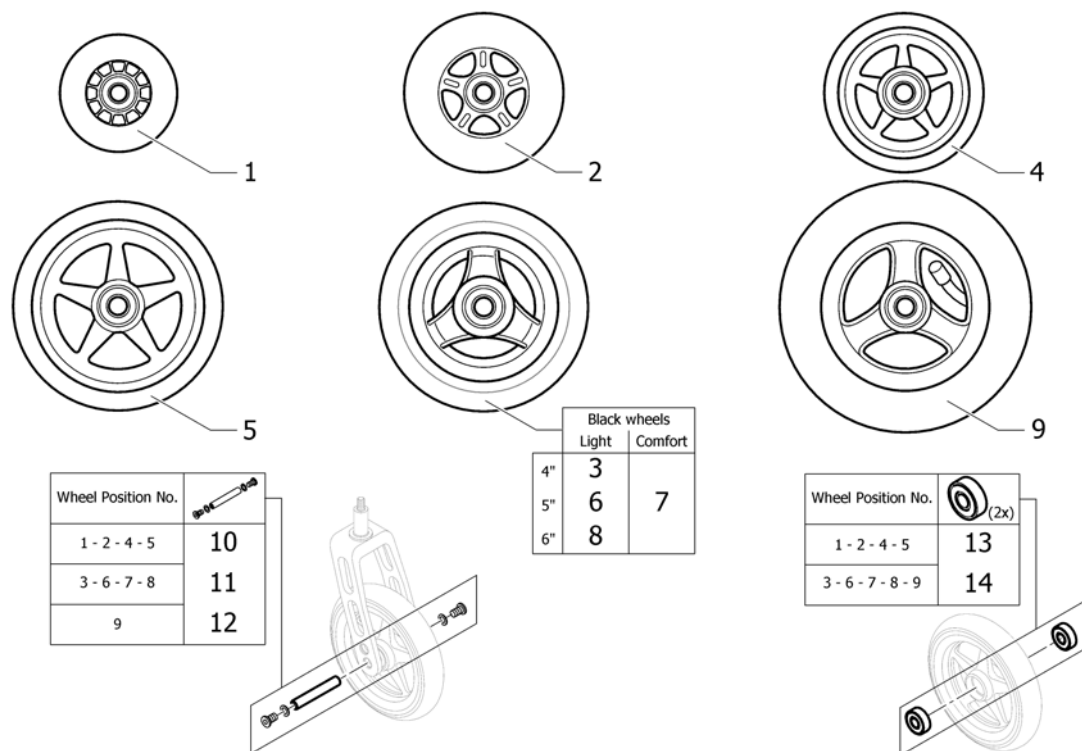
1	-	(Front wheel supporter)	→ 31.03.2008	1
2	-	(Front wheels)	→ 31.03.2008	1

**(Front wheel supporter)**

1	1432004-0004	GAFFEL 5 SVART KOMPLETT K-4 AIRLITE		2
1	1432004-0400	GAFFEL 5 ANTRASITT KPL FUSION CHAMPION 2003		2
1	1432004-0401	GAFFEL 5 BOLT SITRON		2
1	1432004-0402	GAFFEL 5 APRICOT KOMPLETT CHAMPION		2
1	1432004-0404	GAFFEL 5 BLÅ KOMPLETT CHAMPION/K-SERIEN 2003->		2
1	1432004-0440	GAFFEL 5 BOLT COMET	01.01.2007 →	2
2	1432005-0004	GAFFEL 6 SVART KPL CHAMP COMP/ULTRALIGHT 2003		2
2	1432005-0400	GAFFEL 6 ANTRASITT KPL FUSION CHAMPION 2003		2
2	1432005-0401	GAFFEL 6 BOLT SITRON		2
2	1432005-0402	(Front fork 6" with bolt, apricot)		2
2	1432005-0404	GAFFEL 6 BOLT B-BLÅ		2
2	1432005-0440	GAFFEL 6 COMET RED KOMPLETT COMP/ULTR	01.01.2007 →	2
3	1432006-0004	GAFFEL 8 SVART KOMPLETT FUSION K4		2
3	1432006-0400	GAFFEL 8 ANTRASITT KPL		2
3	1432006-0401	GAFFEL 8 BOLT SITRON		2
3	1432006-0402	(Front fork 8" with bolt, apricot)		2
3	1432006-0404	GAFFEL 8 BOLT B-BLÅ		2
3	1432006-0440	GAFFEL 8 BOLT COMET	01.01.2007 →	2
4	1437440-0004	(Fork 5" quick release, black anodized)		2
4	1437440-0400	(Fork 5" quick release, techno-anthrazit)		2
4	1437440-0401	(Fork 5" quick release, lemon)		2
4	1437440-0402	(Fork 5" quick release, apricot)		2
4	1437440-0404	(Fork 5" quick release, b-blue)		2
4	1437440-0440	(Fork 5" quick release, comet red)	01.01.2007 →	2
5	1437441-0004	(Fork 6" quick release, black anodized)		2
5	1437441-0400	GAFFEL 6 AVTAGBAR FUSION TECHNO ANTRASITT		2
5	1437441-0401	(Fork 6" quick release, lemon)		2
5	1437441-0402	(Fork 6" quick release, apricot)		2
5	1437441-0404	(Fork 6" quick release, b-blue)		2
5	1437441-0440	GAFFEL 6 AVTAGBAR CHAMPI COMET RED	01.01.2007 →	2
6	1437442-0004	(Fork 8" quick release, black anodized)		2

**(Front wheel supporter)**

6	1437442-0400	(Fork 8" quick release, techno-anthrazit)		2
6	1437442-0401	(Fork 8" quick release, lemon)		2
6	1437442-0402	(Fork 8" quick release, apricot)		2
6	1437442-0404	(Fork 8" quick release, b-blue)		2
6	1437442-0440	(Fork 8" quick release, comet red)	01.01.2007 →	2
7	1432007-0004	GAFFELHUS H CHAMPION 2003		1
7	1432007-0400	(Bearing block, low 'A' with bearing, techno-anthrazit)		1
7	1432007-0401	(Bearing block, low 'A' with bearing, lemon)		1
7	1432007-0402	GAFFELHUS "A" APRICOT CHAMPION		1
7	1432007-0404	(Bearing block, low 'A' with bearing, b-blue)		1
7	1432007-0440	(Bearing block, low 'A' with bearing, comet red)	01.01.2007 →	1
8	1432008-0004	GAFFELHUS V CHAMPION 2003		1
8	1432008-0400	(Bearing block, low 'B' with bearing, techno-anthrazit)		1
8	1432008-0401	(Bearing block, low 'B' with bearing, lemon)		1
8	1432008-0402	GAFFELHUS "B" APRICOT CHAMPION		1
8	1432008-0404	(Bearing block, low 'B' with bearing, b-blue)		1
8	1432008-0440	(Bearing block, low 'B' with bearing, comet red)	01.01.2007 →	1
9	1451718	KULELAGER KO5 KUSCHALL		1
10	1518145	(Bearing block cap, pair) <i>Replaces 400.1067</i>		1
11	1432084	EXCENTER SETT KPL CHAMP		1
12	1512124	(Excenter kit to Carbon frame)		1

**(Front wheels)**

1	1513180	SVINGHJUL 3 KPL PLUS AKSLING 1420972 <i>Replaces 732.1026</i>		2
2	1513181	SVINGHJUL 4 SKATER TRANS PARENT <i>Replaces 1416805</i>		2
3	1562626	SVINGHJUL 4 EVERYDAY 3 EIKER SORT <i>Replaces 1513182</i>	01.07.2012 →	2
4	1513183-0400	SVINGHJUL 4 STAREC TECHNO-ANTHRACITE <i>Replaces 1420968-0400</i>		2
4	1513183-0401	SVINGHJUL 4 STAREC LEMON KUSCHALL <i>Replaces 1420968-0401</i>		2
4	1513183-0402	(4" Starec wheel, apricot) <i>Replaces 1420968-0402</i>		2
4	1513183-0404	SVINGHJUL 4 STAREC B-BLÅ KUSCHALL <i>Replaces 1420968-0404</i>		2
4	1513183-0408	SVINGHJUL 4 STAREC SORT KUSCHALL <i>Replaces 1420968-0408</i>		2
4	1513183-0440	SVINGHJUL 4 STAREC COMET RØD <i>Replaces 1420968-0440</i>	01.01.2007 →	2
5	1513187-0400	SVINGHJUL 5 STAREC KUSCHALL TECHNO-ANTRACIT <i>Replaces 732.1032.950</i>		2
5	1513187-0401	SVINGHJUL 5 STAREC LEMON KUSCHALL <i>Replaces 732.1032.951</i>		2
5	1513187-0402	SVINGHJUL 5 STAREC KUSCHALL APRIKOS <i>Replaces 732.1032.954</i>		2
5	1513187-0404	SVINGHJUL 5 STAREC KUSCHALL B-BLUE <i>Replaces 732.1032.957</i>		2
5	1513187-0408	SVINGHJUL 5 STAREC KUSCHALL SVART <i>Replaces 732.1032.961</i>		2
5	1513187-0440	SVINGHJUL 5 STAREC COMET RØD <i>Replaces 732.1032-0440</i>	01.01.2007 →	2
6	1562627	5 SVINGHJUL EVERYDAY 3 EIKER SORT <i>Replaces 1513185</i>	01.07.2012 →	2
7	1542640	SVINGHJUL 5 SORT 4 CM KUSCHALL <i>Replaces 1513186</i>	01.07.2012 →	2
8	1562628	6" EVERYDAY 3 EIKER SORT GUMMI <i>Replaces 1513190</i>	01.07.2012 →	2

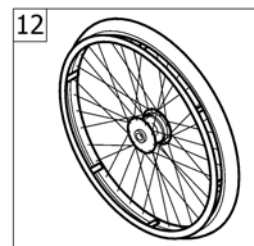
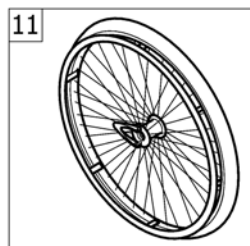
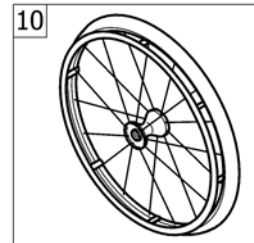
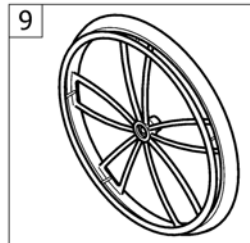
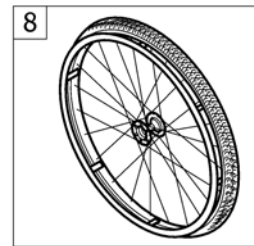
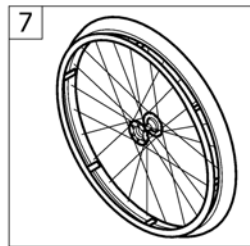
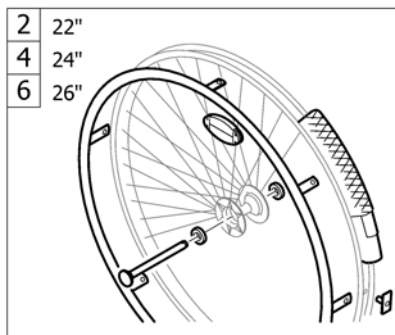
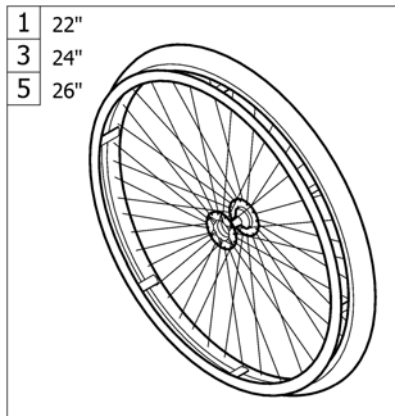
## (Front wheels)

---

9	1513189	SVINGHJUL 6"LUFTFYLT KUSCHALL <i>Replaces 732.1020</i>	2
10	1420972	AKSLINGSETT KPL STAREC/SKATE HJUL	2
11	1570108	AKSELSETT SVINGHJUL U DISTANSESKIVER	2
12	1570109	(Axle set complete 6" pneumatic wheel)	2
13	1570104	(Ball bearing 608-2RS 8/22*7, pair)	2
14	1570105	(Ball bearing 6000-2RS, pair)	2

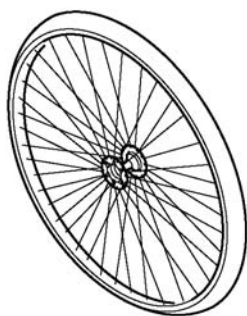


# Drivhjul

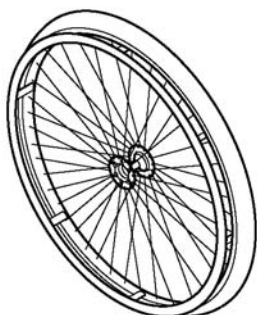


1	-	(22" rear wheels complete)	→ 31.03.2008	1
2	-	(22" rear wheel accessories)	→ 31.03.2008	1
3	-	(24" rear wheels complete)	→ 31.03.2008	1
4	-	(24" rear wheel accessories)	→ 31.03.2008	1
5	-	(26" rear wheels complete)	→ 31.03.2008	1
6	-	(26" rear wheel accessories)	→ 31.03.2008	1
7	-	(High performance)	→ 31.03.2008	1
8	-	(Mountain bike wheel)	→ 31.03.2008	1
9	-	(Spider wheel)	→ 31.03.2008	1
10	-	(Spinergy wheel)	→ 31.03.2008	1
12	-	(Drum brake wheel)	→ 31.03.2008	1

## (22" rear wheels complete)



	∅ no tyre			
	1	2	3	4
	5	6	7	8
	9	10	11	12



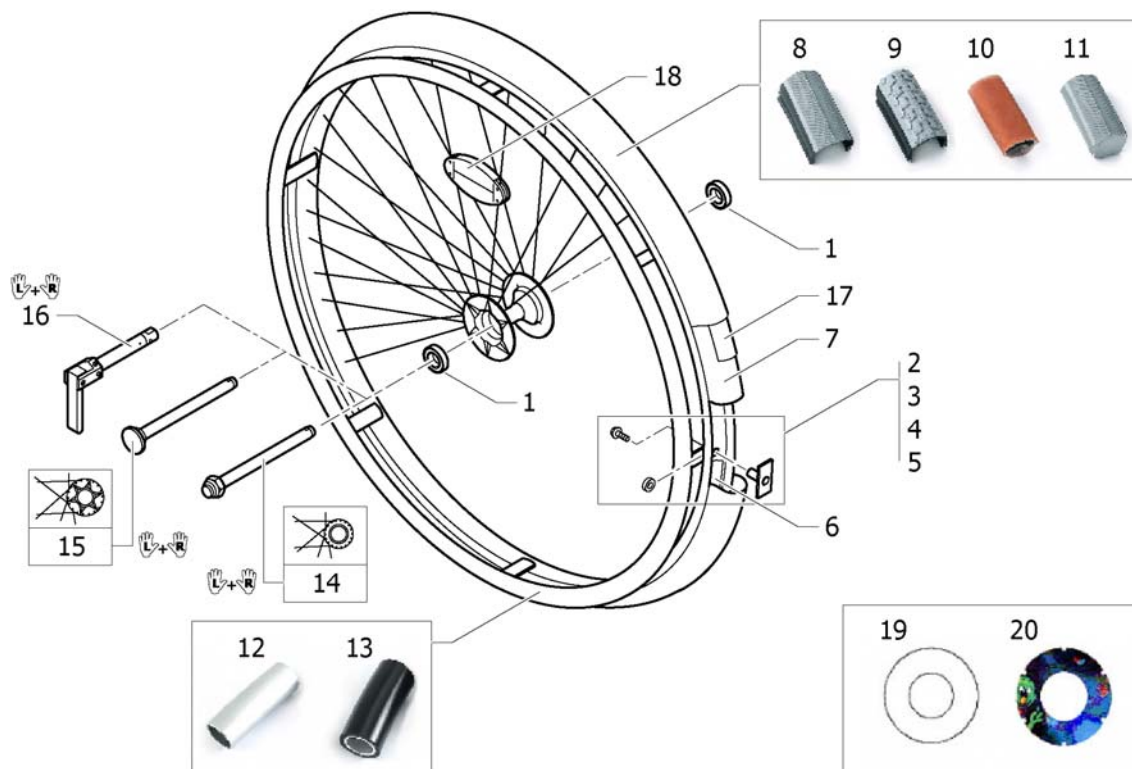
	∅ no tyre			
		14	15	16
		18	19	20
		22	23	24

1	904.1077	DRIVHJUL 22 FELG STD KUSCHALLALLE U/DEKK/DRIV		2
2	904.1180	DRIVHJUL 22 STD NAV UTEN DRIVR SMOOTH RUNNING		2
3	904.1169	DRIVHJUL 22 STD NAV UTEN DRIVR TREAD		2
4	904.1170	DRIVHJUL 22 STD NAV UTEN DRIVR INDOOR SPORTS	01.01.2003 → 31.03.2008	2
5	904.1081	DRIVHJUL 22 STAREC NAV R ADIAL UTEN DEKK UTEN DRI		2
5	904.1081.950	DRIVHJUL 22 STAREC R TEC NO DRIVRING UTEN DEKK		2
5	904.1081.951	DRIVHJUL 22 STAREC R SIT RON DRIVRING UTEN DEKK		2
5	904.1081.954	(Rear wheel 22" Starec R, apricot, without handrim, without tyre)		2
5	904.1081.957	DRIVHJUL 22 STAREC R B-B LÅ DRIVRING UTEN DEKK		2
5	904.1081-0440	DRIVHJUL 22 STAREC R COM ET UTEN DEKK RØD		2
6	904.1195	DRIVHJUL 22 STAREC NAV U TEN DRIVR SMOOTH RUNNING		2
7	904.1158	DRIVHJUL 22 STAREC NAV U TEN DRIVR TREAD		2
8	904.1159	DRIVHJUL 22 STAREC NAV U TEN DRIVR INDOOR SPORTS	01.01.2003 → 30.03.2008	2
9	904.1131	DRIVHJUL 22 STAREC U DRIVRING OG DEKK KÜSCHAL		2
9	904.1131.950	DRIVHJUL 22 STAREC X TEC NO DRIVRING UTEN DEKK		2
9	904.1131.951	DRIVHJUL 22 STAREC X SIT RON DRIVRING UTEN DEKK		2
9	904.1131.954	(Rear wheel 22" Starec X Apricot without handrim, without tyre)		2
9	904.1131.957	DRIVHJUL 22 STAREC X B-B LÅ DRIVRING UTEN DEKK		2
9	904.1131-0440	DRIVHJUL 22 STAREC X COM ET UTEN DEKK RØD		2
10	904.1189	DRIVHJUL 22 STAREC NAV U TEN DRIVR SMOOTH RUNNING		2
11	904.1139	DRIVHJUL 22 STAREC NAV U TEN DRIVR TREAD		2
12	904.1140	DRIVHJUL 22 STAREC NAV U TEN DRIVR INDOOR SPORTS	01.01.2003 → 31.03.2008	2
14	904.1178	DRIVHJUL 22 STD NAV ALU DRIVRING GRÅ HØYTRYKK		2
15	904.1054	DRIVHJUL 22 STD NAV DRIV R TREAD		2
16	904.1066	DRIVHJUL 22 STD NAV DRIV R INDOOR SPORTS	01.01.2003 → 31.03.2008	2
18	904.1192	DRIVHJUL 22 STAREC NAV D RIVR SMOOTH RUNNING		2
19	904.1149	DRIVHJUL 22 STAREC NAV D RIVR TREAD		2
20	904.1150	DRIVHJUL 22 STAREC NAV D RIVR INDOOR SPORTS	01.01.2003 → 31.03.2008	2

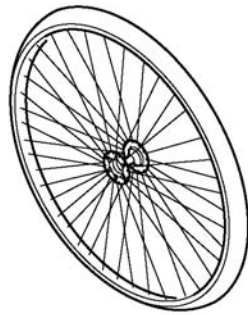
---

22	904.1186	DRIVHJUL 22 STAREC GRÅ HØYTR & ALU DRIVRING		2
23	904.1123	DRIVHJUL 22 STAREC NAV D RIVR TREAD		2
24	904.1124	DRIVHJUL 22 STAREC SPORT HALL & ALU DRIVRING	01.01.2003 → 31.03.2008	2

## (22" rear wheel accessories)



1	5719103	KULELAGER EE4S 2RS <i>Replaces 270.1003</i>		4
2	1495958	(Fixation kit handrim, 3 cm)		2
3	1495959	DRIVRINGSFESTE KIT STD KUSCGHALL HJUL 4CM		2
4	1495960	(Fixation kit handrim, 3 cm with spokes guard)		2
5	1495961	(Fixation kit handrim, 4 cm with spokes guard)		2
6	726.1005	FELGBÄND 22" KÜSCHALL		2
7	727.1007	SLANGE 22 X1 STANDARD KÜSCHALL		2
8	728.1027	DEKK 22 HØYTRYKK STD KID CONH KÜSCHALL		2
9	1493768	DEKK 22 GROVMØNSTER 4,5 BAR		2
10	729.1006	DEKK 22X1 HØYTR SPORT HALLALLE	01.01.2003 → 31.03.2008	2
11	728.1031	DEKK 22 MASSIVE GRÅ LETTE KÜSCHALL		2
12	457.1023	DRIVRING 22 ALU ELOKSERT KUSCHALL		2
13	457.1045.429	DRIVRING 22 SUPERGRIP KUSCHALL		2
14	1512030	QR KORT AKSEL PAR		1
15	1512028-0407	HURTIGKOBLINGSAKSEL KORT KNAPP UTEN PAR	01.01.2008 →	1
15	1512028-0400	HURTIGKOBLINGSAKSEL KORT KNAPP TECH-ANTHRAZ PR	01.01.2008 →	1
15	1512028-0401	HURTIGKOBLINGSAKSEL KORT KNAPP SITRON PAR	01.01.2008 →	1
15	1512028-0402	(Quick release axles short with cap, pair, apricot)	01.01.2008 →	1
15	1512028-0404	HURTIGKOBLINGSAKSEL KORT KNAPP B-BLÅ PAR	01.01.2008 →	1
15	1512028-0440	HURTIGKOBLINGSAKSEL KORT KNAPP COMET PAR	01.01.2008 →	1
16	1493754	(Tetra clip with quick release axle, pair, short)		1
17	1424917	DEKKINNLEGG 20,22,24 OG 26"ANTIFLAT. PAR		2
18	220.1033	EIKERREFLEKS		2
19	1564453	(Spokes guard Transparent 22") <i>Replaces 736.1005</i>		2
20	1564454	(Spokes guard Cosmos Brownie 22") <i>Replaces 736.1010</i>	01.01.2003 → 31.03.2008	2



	no tyre				
	1	2	3	4	
	5	6	7	8	9
	10	11	12	13	14



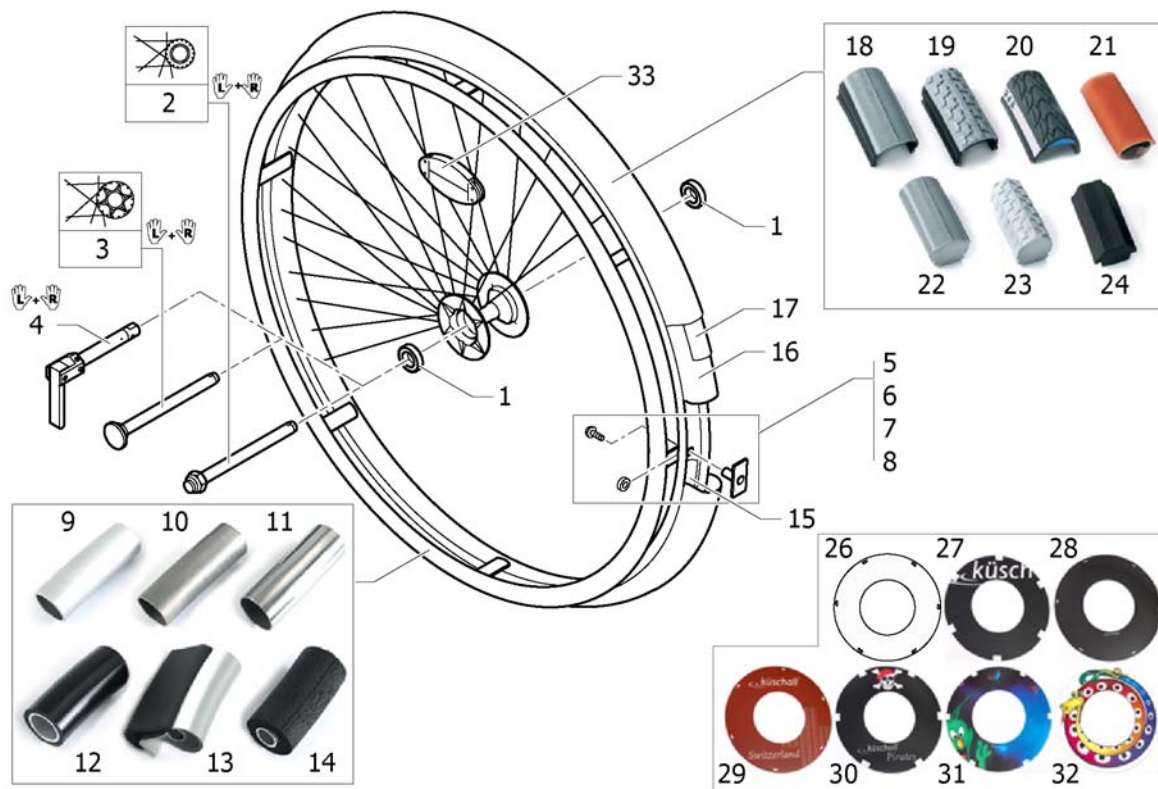
	no tyre				
		15	16	17	
		18	19		20
		21	22	23	24

1	1416882	DRIVHJUL 24 STD NAV UTEN DEKK UTEN DRIVR	2
2	1416883	DRIVHJUL 24 STD NAV UTEN DRIVR SMOOTH RUNNING	2
3	904.1171	DRIVHJUL 24 STD NAV UTEN DRIVR TREAD	2
4	904.1174	DRIVHJUL 24 STD NAV UTEN DRIVR INDOOR SPORTS	2
5	904.1082	DRIVHJUL 24 STAREC NAV RADIAL U DEKK OG DRIVR	2
5	904.1082.950	(Rear wheel 24" Starec R, tecno, without handrim, without tyre)	2
5	904.1082.951	(Rear wheel 24" Starec R, lemon, without handrim, without tyre)	2
5	904.1082.954	(Rear wheel 24" Starec R, apricot, without handrim, without tyre)	2
5	904.1082.957	DRIVHJUL 24 STAREC BLÅ KUSCHALLALLE CPS U/DEKK	2
5	904.1082-0440	(Rear wheel 24" Starec R, comet red, without handrim, without tyre)	01.01.2007 → 2
6	904.1161	DRIVHJUL 24 STAREC NAV RADIAL M DEKK U DRIVR	2
7	904.1160	DRIVHJUL 24 STAREC NAV U TEN DRIVR TREAD	2
8	904.1163	DRIVHJUL 24 STAREC NAV U TEN DRIVR INDOOR SPORTS	2
9	1554397-0007	(Rear wheel 24", Starec R, colourless, without handrim, marathon evolution)	2
9	1554397-0400	(Rear wheel 24" Starec R, tecno, without handrim, marathon evolution)	2
9	1554397-0401	(Rear wheel 24" Starec R, lemon, without handrim, marathon evolution)	2
9	1554397-0402	(Rear wheel 24" Starec R, apricot, without handrim, marathon evolution)	2
9	1554397-0404	(Rear wheel 24" Starec R, b-blue, without handrim, marathon evolution)	2
9	1554397-0440	(Rear wheel 24" Starec R, comet red, without handrim, marathon evolution)	01.01.2007 → 2
10	1416885	DRIVHJUL 24 STAREC UTEN DEKK OG DRIVRING	2
10	904.1132.950	DRIVHJUL 24 STAREC U DRIVRING OG DEKK TECHNO	2
10	904.1132.951	(Rear wheel 24" Starec X Lemon without handrim, without tyre)	2
10	904.1132.954	(Rear wheel 24" Starec X Apricot without handrim, without tyre)	2
10	904.1132.957	DRIVHJUL 24 STAREC B-BLUE DRIVRING OG DEKK	2
10	904.1132-0440	(Rear wheel 24" Starec X Comet red without handrim, without tyre)	01.01.2007 → 2
11	1416886	(Rear wheel 24", Starec hub X, without handrim, light wall)	2
12	904.1141	DRIVHJUL 24 STAREC NAV U TEN DRIVR TREAD	2
13	904.1144	DRIVHJUL 24 STAREC MED DEKK UTEN DRIVRING KÜSCH	2
14	1554399-0007	(Rear wheel 24", Starec X, colourless, without handrim, marathon evolution)	2

**(24" rear wheels complete)**

14	1554399-0400	(Rear wheel 24" Starec X, tecno, without handrim, marathon evolution)		2
14	1554399-0401	(Rear wheel 24" Starec X, lemon, without handrim, marathon evolution)		2
14	1554399-0402	(Rear wheel 24" Starec X, apricot, without handrim, marathon evolution)		2
14	1554399-0404	(Rear wheel 24" Starec X, b-blue, without handrim, marathon evolution)		2
14	1554399-0440	(Rear wheel 24" Starec X, comet red, without handrim, marathon evolution)	01.01.2007 →	2
15	1416881	DRIVHJUL 24 STD NAV ALU DRIVRING GRÅ HØYTRYKK		2
16	904.1005	DRIVHJUL 24 STD NAV DRIV R TREAD		2
17	904.1006	DRIVHJUL 24 STD NAV DRIV R INDOOR SPORTS		2
18	904.1152	DRIVHJUL 24 STAREC NAV RADIAL M.DEKK DRIVRING		2
19	904.1151	DRIVHJUL 24 STAREC NAV D RIVR TREAD		2
20	1554398-0007	(Rear wheel 24", Starec R, colourless, handrim, marathon evolution)		2
20	1554398-0400	(Rear wheel 24" Starec R, tecno, handrim, marathon evolution)		2
20	1554398-0401	(Rear wheel 24" Starec R, lemon, handrim, marathon evolution)		2
20	1554398-0402	(Rear wheel 24" Starec R, apricot, handrim, marathon evolution)		2
20	1554398-0404	(Rear wheel 24" Starec R, b-blue, handrim, marathon evolution)		2
20	1554398-0440	(Rear wheel 24" Starec R, comet red, handrim, marathon evolution)	01.01.2007 →	2
21	1416884	DRIVHJUL 24 STAREC GRÅ HØYTR & ALURINGALLE		2
22	904.1125	DRIVHJUL 24 STAREC NAV D RIVR TREAD		2
23	904.1135	DRIVHJUL 24 STAREC SPORT HALL & ALU DRIVRINGKK		2
24	1554400-0007	(Rear wheel 24", Starec X, colourless, handrim, marathon evolution)		2
24	1554400-0400	(Rear wheel 24" Starec X, tecno, handrim, marathon evolution)		2
24	1554400-0401	(Rear wheel 24" Starec X, lemon, handrim, marathon evolution)		2
24	1554400-0402	(Rear wheel 24" Starec X, apricot, handrim, marathon evolution)		2
24	1554400-0404	(Rear wheel 24" Starec X, b-blue, handrim, marathon evolution)		2
24	1554400-0440	(Rear wheel 24" Starec X, comet red, handrim, marathon evolution)	01.01.2007 →	2





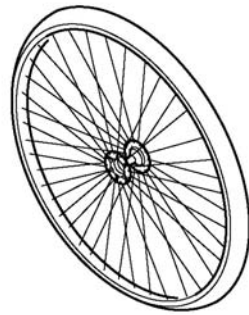
1	5719103	KULELAGER EE4S 2RS <i>Replaces 270.1003</i>		4
2	1512030	QR KORT AKSEL PAR		1
3	1512028-0407	HURTIGKOBLINGSAKSEL KORT KNAPP UTEN PAR	01.01.2008 →	1
3	1512028-0400	HURTIGKOBLINGSAKSEL KORT KNAPP TECH-ANTHRAZ PR	01.01.2008 →	1
3	1512028-0401	HURTIGKOBLINGSAKSEL KORT KNAPP SITRON PAR	01.01.2008 →	1
3	1512028-0402	(Quick release axles short with cap, pair, apricot)	01.01.2008 →	1
3	1512028-0404	HURTIGKOBLINGSAKSEL KORT KNAPP B-BLÅ PAR	01.01.2008 →	1
3	1512028-0440	HURTIGKOBLINGSAKSEL KORT KNAPP COMET PAR	01.01.2008 →	1
4	1493754	(Tetra clip with quick release axle, pair, short)		1
5	1495958	(Fixation kit handrim, 3 cm)		2
6	1495959	DRIVRINGSFESTE KIT STD KUSCGHALL HJUL 4CM		2
7	1495960	(Fixation kit handrim, 3 cm with spokes guard)		2
8	1495961	(Fixation kit handrim, 4 cm with spokes guard)		2
9	1432287-0005	DRIVRING 24 ALU ELOKSERT KÜSCHALL st.SPINERGY <i>Replaces 1432286-0005</i>		2
10	457.1051	DRIVRING 24 TITAN KUSCHALL		2
11	457.1009	DRIVRING 24 RUSTFRITT STÅL KUSCAHLL		2
12	457.1017.429	DRIVRING 24 SUPERGRIP KUSCHALL		2
13	457.1052.000	DRIVRING 24 TETRA GREP KUSCHALL KUN 24		2
14	905.5002	DRIVRING 24 MAXGREP MOSEGUMMI KUSCHALL		2
15	726.1008.000	(Rim protection 24" Large)		2
16	727.1002	SLANGE 24 X 1 STANDARD		2
17	1424917	DEKKINNLEGG 20,22,24 OG 26"ANTIFLAT. PAR		2
18	1424749	DEKK 24 HØYTR GRÅ 7 BAR		2
19	728.1002	DEKK 24X 1 HØYTRYKK PROFILERTE GROVE GRÅ		2
20	1438521	DEKK 24 MARATHON KUSHALL BRUK 1570838 <i>New design: New tyre with reflect band. Recommended as a pair.</i>	01.07.2006 →	2
21	729.1001	DEKK 24X 1 HØYTR SPORT HALLALLE KÜSCH(GULE)		2
22	728.1032	#Bruk 1570839 01 FINT MØNSTER.KUSCHAL		2
23	728.1029	DEKK 24 MASS GRÅ R-402 GROVT MØNSTER KUSCHALL		2
24	728.1015	DEKK 24 KIK KOMPakte*B* SVARTE		2

**(24" rear wheel accessories)**

---

26	1564457	EIKEBESKYTTER 24 TRANSPERENT KUSCHALL <i>Replaces 736.1004</i>		2
27	1564456	(Spokes guard Küschall, black 24") <i>Replaces 736.1002</i>		2
28	1564459	(Spokes guard Carbon 24") <i>Replaces 736.1014</i>		2
29	1564462	(Spokes guard Switzerland 24") <i>Replaces 1497108</i>	01.01.2007 →	2
30	1564463	(Spokes guard Pirates 24") <i>Replaces 1497109</i>	01.01.2007 →	2
31	1564458	(Spokes guard Cosmos Brownie 24") <i>Replaces 736.1009</i>	→ 31.12.2008	2
32	1564460	(Spokes guard Boa Boa 24") <i>Replaces 736.1015</i>		2
33	220.1033	EIKERREFLEKS		2





	no tyre			
	1	2	3	
	4	5	6	7
	8	9	10	11

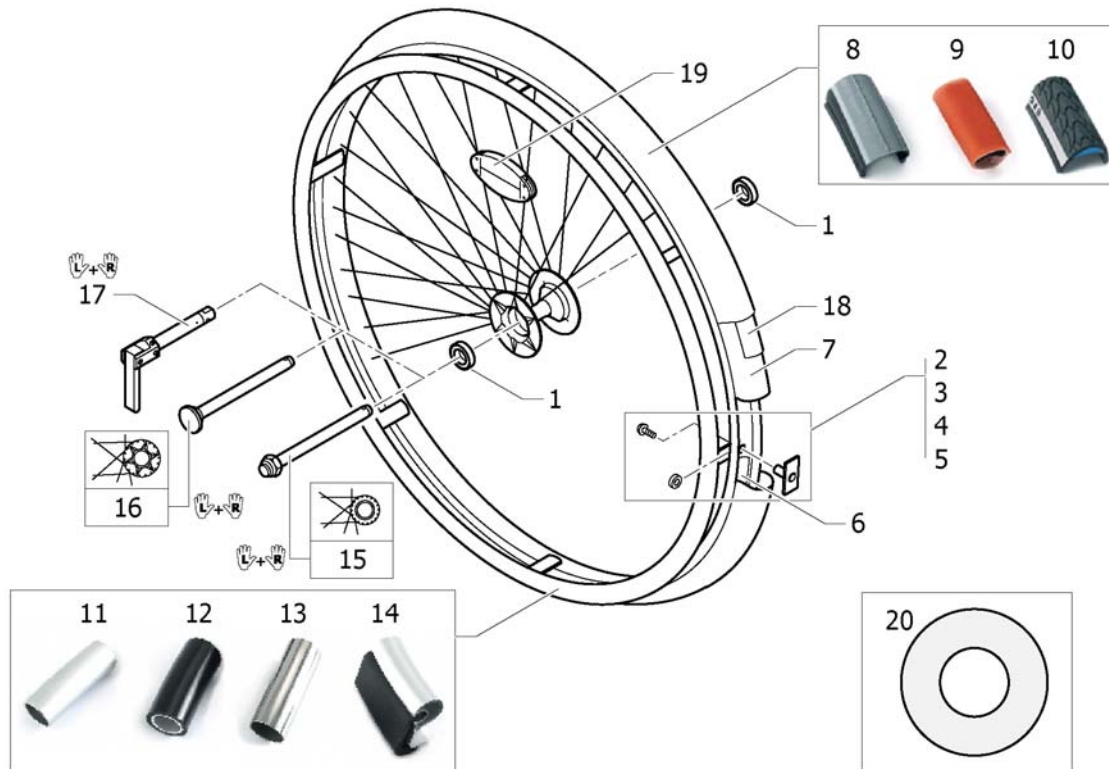


	no tyre			
		12	13	
		14	15	16
		17	18	19

1	904.1079	DRIVHJUL 26 STD NAV UTEN DEKK UTEN DRIVR		2
2	904.1184	DRIVHJUL 26 STD NAV UTEN DRIVR.M/GRÅ HØYTRY.DEKK		2
3	904.1176	DRIVHJUL 26 STD NAV MED DRIVR INDOOR SPORTS		2
4	904.1083	DRIVHJUL 26 STAREC NAV R ADIAL UTEN DEKK UTEN DRI		2
4	904.1083.950	DRIVHJUL 26 STAREC R TEC NO DRIVRING UTEN DEKK		2
4	904.1083.951	DRIVHJUL 26 STAREC R SIT RON DRIVRING UTEN DEKK		2
4	904.1083.954	DRIVHJUL 26 STAREC R APR IKOS DRIVRING UTEN DEKK		2
4	904.1083.957	DRIVHJUL 26 STAREC R B-B LÅ DRIVRING UTEN DEKK		2
4	904.1083-0440	DRIVHJUL 26 STAREC R COM ET UTEN DEKK RØD	01.01.2007 →	2
5	904.1196	DRIVHJUL 26 STAREC NAV U TEN DRIVR SMOOTH RUNNING		2
6	904.1165	DRIVHJUL 26 STAREC NAV U TEN DRIVR SMOOTH RUNNING		2
7	1554401-0007	(Rear wheel 26", Starec R, colourless, without handrim, marathon evolution)		2
7	1554401-0400	(Rear wheel 26" Starec R, tecno, without handrim, marathon evolution)		2
7	1554401-0401	(Rear wheel 26" Starec R, lemon, without handrim, marathon evolution)		2
7	1554401-0402	(Rear wheel 26" Starec R, apricot, without handrim, marathon evolution)		2
7	1554401-0404	(Rear wheel 26" Starec R, b-blue, without handrim, marathon evolution)		2
7	1554401-0440	(Rear wheel 26" Starec R, comet red, without handrim, marathon evolution)	01.01.2007 →	2
8	904.1133	DRIVHJUL 26 STAREC NAV U TEN DEKK OG DRIVR		2
8	904.1133.950	DRIVHJUL 26 STAREC X TEC NO DRIVRING UTEN DEKK		2
8	904.1133.951	DRIVHJUL 26 STAREC X SIT RON DRIVRING UTEN DEKK		2
8	904.1133.954	DRIVHJUL 26 STAREC X APR IKOS DRIVRING UTEN DEKK		2
8	904.1133.957	DRIVHJUL 26 STAREC X B-B LÅ DRIVRING UTEN DEKK		2
8	904.1133-0440	DRIVHJUL 26 STAREC X COM ET UTEN DEKK RØD	01.01.2007 →	2
9	904.1190	DRIVHJUL 26 STAREC NAV U TEN DRIVR SMOOTH RUNNING		2
10	904.1146	DRIVHJUL 26 STAREC NAV U TEN DRIVR INDOOR SPORTS		2
11	1554403-0007	(Rear wheel 26", Starec X, colourless, without handrim, marathon evolution)		2
11	1554403-0400	(Rear wheel 26" Starec X, tecno, without handrim, marathon evolution)		2
11	1554403-0401	(Rear wheel 26" Starec X, lemon, without handrim, marathon evolution)		2
11	1554403-0402	(Rear wheel 26" Starec X, apricot, without handrim, marathon evolution)		2

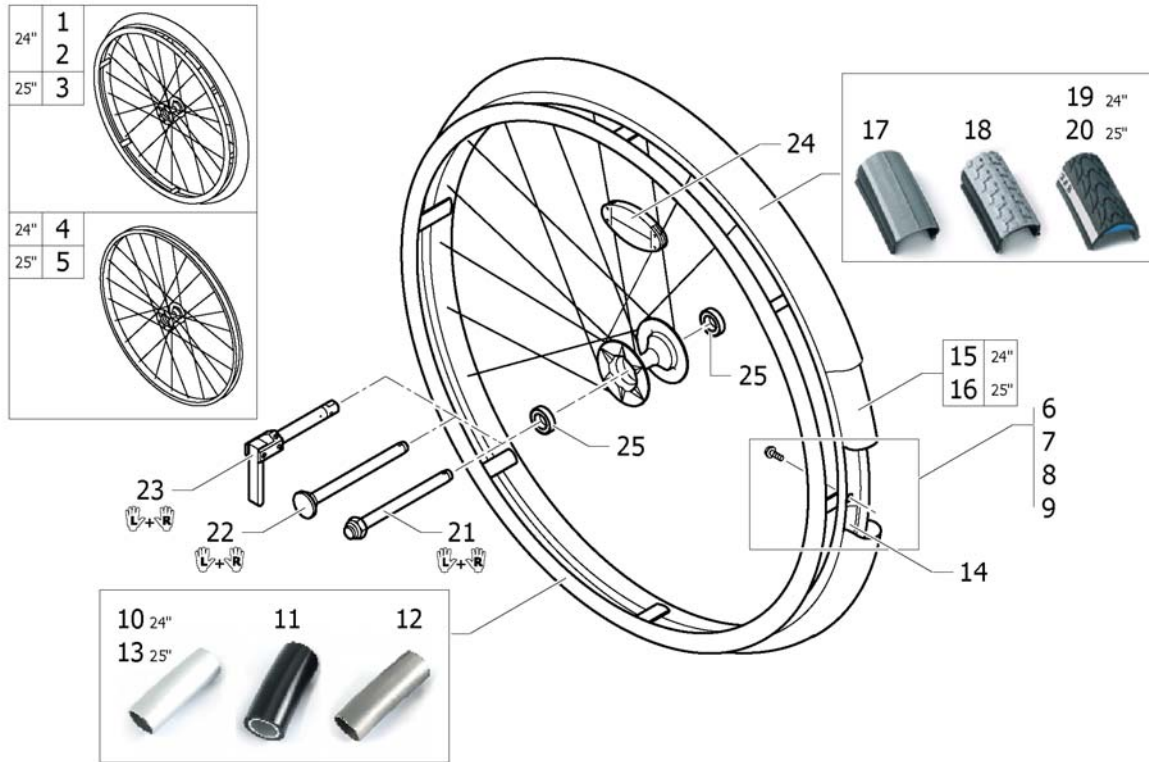
**(26" rear wheels complete)**

11	1554403-0404	(Rear wheel 26" Starec X, b-blue, without handrim, marathon evolution)		2
11	1554403-0440	(Rear wheel 26" Starec X, comet red, without handrim, marathon evolution)	01.01.2007 →	2
12	904.1183	DRIVHJUL 26 STD.NAV M/ ALU DRIVRING GRÅ HØYTRY.		2
13	904.1088	DRIVHJUL 26 M/GULE HØYTR. ALU DRRING 3CM KU		2
14	904.1193	DRIVHJUL 26 STAREC NAV D RIVR SMOOTH RUNNING		2
15	904.1155	DRIVHJUL 26 STAREC NAV D RIVR INDOOR SPORTS		2
16	1554402-0007	(Rear wheel 26", Starec R, colourless, handrim, marathon evolution)		2
16	1554402-0400	(Rear wheel 26" Starec R, tecno, handrim, marathon evolution)		2
16	1554402-0401	(Rear wheel 26" Starec R, lemon, handrim, marathon evolution)		2
16	1554402-0402	(Rear wheel 26" Starec R, apricot, handrim, marathon evolution)		2
16	1554402-0404	(Rear wheel 26" Starec R, b-blue, handrim, marathon evolution)		2
16	1554402-0440	(Rear wheel 26" Starec R, comet red, handrim, marathon evolution)	01.01.2007 →	2
17	904.1187	DRIVHJUL 26 STAREC NAV ALU DRIVRING DEKK STD		2
18	904.1129	DRIVHJUL 26 STAREC SPORT HALL & ALU DRIVRING		2
19	1554417-0007	(Rear wheel 26", Starec X, colourless, handrim, marathon evolution)		2
19	1554417-0400	(Rear wheel 26" Starec X, tecno, handrim, marathon evolution)		2
19	1554417-0401	(Rear wheel 26" Starec X, lemon, handrim, marathon evolution)		2
19	1554417-0402	(Rear wheel 26" Starec X, apricot, handrim, marathon evolution)		2
19	1554417-0404	(Rear wheel 26" Starec X, b-blue, handrim, marathon evolution)		2
19	1554417-0440	(Rear wheel 26" Starec X, comet red, handrim, marathon evolution)	01.01.2007 →	2



1	5719103	KULELAGER EE4S 2RS <i>Replaces 270.1003</i>		4
2	1495958	(Fixation kit handrim, 3 cm)		2
3	1495959	DRIVRINGSFESTE KIT STD KUSCGHALL HJUL 4CM		2
4	1495960	(Fixation kit handrim, 3 cm with spokes guard)		2
5	1495961	(Fixation kit handrim, 4 cm with spokes guard)		2
6	726.1003	FELGBÄND 26" KÜSCHALL		2
7	727.1003	SLANGE 26 X 1 STANDARD KÜSCHALL		2
8	728.1007	DEKK 26 SMOOTH RUNNING 7 BAR ALLE KÜSCH		2
9	729.1002	DEKK 26X1 HØYTR GULE SPORT HALL KÜSCHALL		2
10	1517977	DEKK 26" MARATHON EVOLUTION KUSCHALL <i>Replaces 728.1003 _ New tyre with reflect band. Recommended as a pair.</i>	14.11.2008 →	2
11	457.1043	DRIVRING 26 ALU ELOKSERT KUSCAHLL		2
12	457.1046.429	DRIVRING 26 SUPERGRIP KUSCHALL		2
13	457.1010	DRIVRING 26 RUSTFRITT STÅL KUSCAHLL		2
14	1436971	DRIVRING 26 TETRA		2
15	1512030	QR KORT AKSEL PAR		1
16	1512028-0407	HURTIGKOBLINGSAKSEL KORT KNAPP UTEN PAR	01.01.2008 →	1
16	1512028-0400	HURTIGKOBLINGSAKSEL KORT KNAPP TECH-ANTHRAZ PR	01.01.2008 →	1
16	1512028-0401	HURTIGKOBLINGSAKSEL KORT KNAPP SITRON PAR	01.01.2008 →	1
16	1512028-0402	(Quick release axles short with cap, pair, apricot)	01.01.2008 →	1
16	1512028-0404	HURTIGKOBLINGSAKSEL KORT KNAPP B-BLÅ PAR	01.01.2008 →	1
16	1512028-0440	HURTIGKOBLINGSAKSEL KORT KNAPP COMET PAR	01.01.2008 →	1
17	1493754	(Tetra clip with quick release axle, pair, short)		1
18	1424917	DEKKINNLEGG 20,22,24 OG 26"ANTIFLAT. PAR		2
19	220.1033	EIKERREFLEKS		2
20	1564492	EIKEBESKYTTER 26 TRANSPARENT <i>Replaces 736.1003</i>		2

**(High performance)**

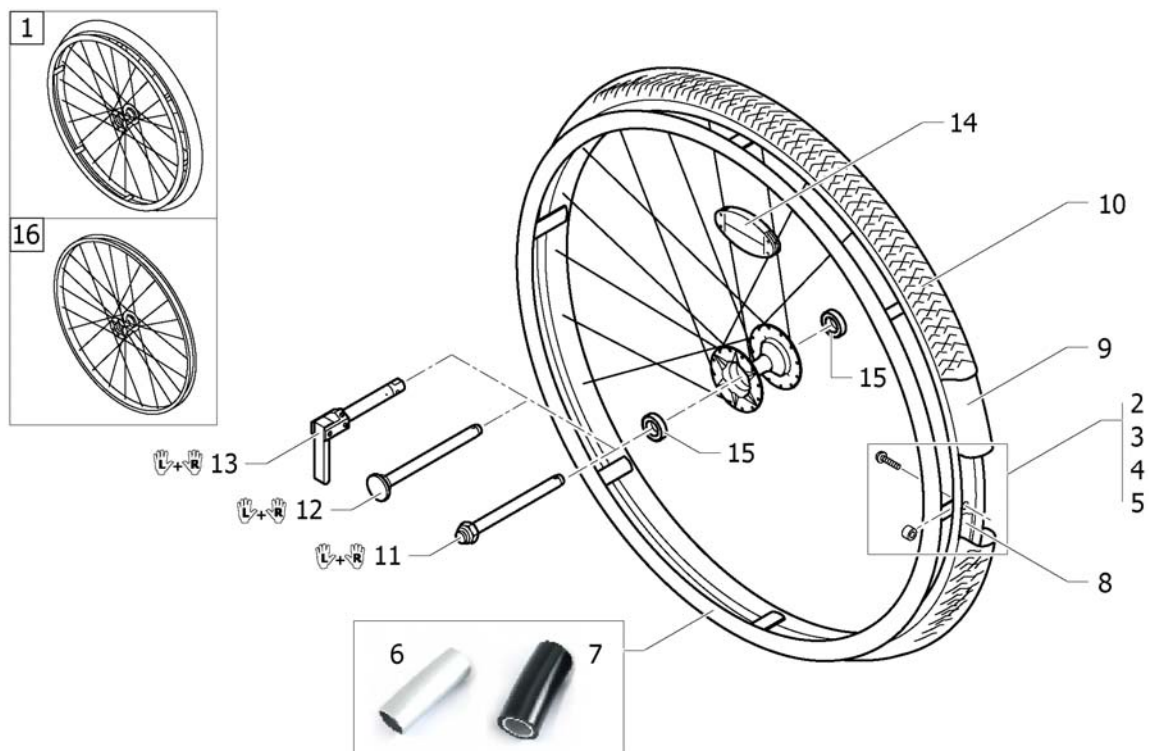


1	1420958	DRIVHJUL 24 HIGH PERFORM SVARTE EIKER KUN GRÅ HT		2
1	1420958-0400	DRIVHJUL 24 HØY PERMANCE TECH-ANT DRIVR ALU DEKK	01.01.2008 →	2
1	1420958-0401	DRIVHJUL 24 HØY PERMANCE SITRON DRIVR ALU DEK LE	01.01.2008 →	2
1	1420958-0402	(Wheel 24", High Performance, apricot, handrim alu, tyre light wall)	01.01.2008 →	2
1	1420958-0404	DRIVHJUL 24 HØY PERMANCE B-BLÅ DRIVRING ALU DEKK	01.01.2008 →	2
1	1420958-0440	DRIVHJUL 24 HØY PERMANCE COMET RØD DRIV ALU DEKK	01.01.2008 →	2
2	1527046	HIGH PERF. DRIVHJUL 24" MARAT.DEKK ALU DRIV KOMP	01.07.2006 →	2
2	1527046-0400	DRIVHJUL 24 HØY PERMANCE TECHNO-ANTHRACITE DRIVR	01.01.2008 →	2
2	1527046-0401	DRIVHJUL 24 HØY PERMANCE SITRON DRIVRING ALU DEK	01.01.2008 →	2
2	1527046-0402	(Wheel 24", High Performance, apricot, handrim alu, tyre Marathon Evolution)	01.01.2008 →	2
2	1527046-0404	DRIVHJUL 24 HØY PERMANCE B-BLÅ DRIVRING ALU DEKK	01.01.2008 →	2
2	1527046-0440	DRIVHJUL 24 HØY PERMANCE COMET RØD DRIVRING ALU	01.01.2008 →	2
3	1445479	DRIVHJUL 25 HIGH PERFORM KPL ALLE KÜSCHALL	01.07.2006 →	2
3	1445479-0400	DRIVHJUL 25 HØY PERMANCE TECHNO-ANTHRACITE DRIVR	01.01.2008 →	2
3	1445479-0401	DRIVHJUL 25 HØY PERMANCE SITRON DRIVRING ALU DEK	01.01.2008 →	2
3	1445479-0402	DRIVHJUL 25 HØY PERMANCE APRIKOS DRIVRING ALU DE	01.01.2008 →	2
3	1445479-0404	DRIVHJUL 25 HØY PERMANCE B-BLÅ DRIVRING ALU DEKK	01.01.2008 →	2
3	1445479-0440	DRIVHJUL 25 HØY PERMANCE COMET RØD DRIVRING ALU	01.01.2008 →	2
4	1517723-0407	HIGH PERFORMANCE 24" KUN FELG KUSCHALL		2
4	1517723-0400	(Wheel 24", High Performance, techno-anthracite, without handrim, without tyre)	01.01.2008 →	2
4	1517723-0401	(Wheel 24", High Performance, lemon, without handrim, without tyre)	01.01.2008 →	2
4	1517723-0402	(Wheel 24", High Performance, apricot, without handrim, without tyre)	01.01.2008 →	2
4	1517723-0404	DRIVHJUL 24 HØY PERMANCE B-BLÅ UTEN DRIVRING UTE	01.01.2008 →	2
4	1517723-0440	DRIVHJUL 24 HØY PERMANCE COMET RØD UTEN DRIVRING	01.01.2008 →	2
5	1562937-0407	(Wheel 25", High Performance, colourless, without handrim, without tyre)	01.07.2006 →	2
5	1562937-0400	(Wheel 25", High Performance, techno-anthrac., without handrim, without tyre)	01.01.2008 →	2
5	1562937-0401	(Wheel 25", High Performance, lemon, without handrim, without tyre)	01.01.2008 →	2
5	1562937-0402	(Wheel 25", High Performance, apricot, without handrim, without tyre)	01.01.2008 →	2
5	1562937-0404	(Wheel 25", High Performance, b-blue, without handrim, without tyre)	01.01.2008 →	2

**(High performance)**

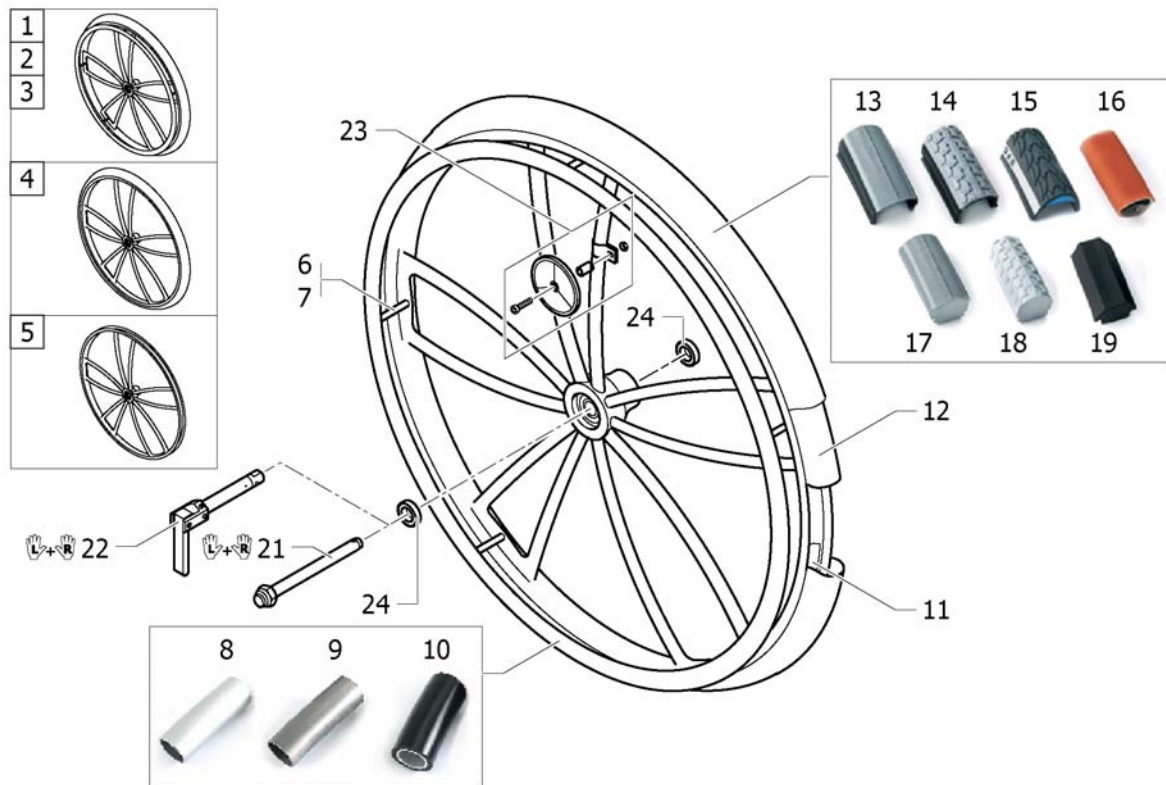
5	1562937-0440	(Wheel 25", High Performance, comet red, without handrim, without tyre)	01.01.2008 →	2
6	1496019	FIKSERINGSKIT FOR DRIVRING HIGH PERFORM 3		2
7	1496020	(Fixation kit handrim for High Performance wheel, 4 cm)		2
8	1497110	(Fixation kit handrim for High Performance wheel, 3 cm with spokes guard)		2
9	1497111	(Fixation kit handrim for High Performance wheel, 4 cm with spokes guard)		2
10	1432287-0005	DRIVRING 24 ALU ELOKSERT KÜSCHALL st.SPINERGY		2
11	457.1017.429	DRIVRING 24 SUPERGRIP KUSCHALL		2
12	457.1051	DRIVRING 24 TITAN KUSCHALL		2
13	1420890-0005	DRIVRING 26 ALU LETT HIG H PERFORMANCE		2
14	1495962	(Rim Protection for High Performance / Spinergy wheel)		2
15	727.1002	SLANGE 24 X 1 STANDARD		2
16	1430886	(Inner tube 26" for High-Performance wheel)		2
17	1424749	DEKK 24 HØYTR GRÅ 7 BAR		2
18	728.1002	DEKK 24X 1 HØYTRYKK PROFILERTE GROVE GRÅ		2
19	1438521	DEKK 24 MARATHON KUSHALL BRUK 1570838 <i>New design: New tyre with reflect band. Recommended as a pair.</i>	01.07.2006 →	2
20	1493769	MARATHON DEKK 25" KUSCHALL <i>New design: New tyre with reflect band. Recommended as pair.</i>	01.07.2006 →	2
21	1512030	QR KORT AKSEL PAR		1
22	1512028-0407	HURTIGKOBLINGSAKSEL KORT KNAPP UTEN PAR	01.01.2008 →	1
22	1512028-0400	HURTIGKOBLINGSAKSEL KORT KNAPP TECH-ANTHRAZ PR	01.01.2008 →	1
22	1512028-0401	HURTIGKOBLINGSAKSEL KORT KNAPP SITRON PAR	01.01.2008 →	1
22	1512028-0402	(Quick release axles short with cap, pair, apricot)	01.01.2008 →	1
22	1512028-0404	HURTIGKOBLINGSAKSEL KORT KNAPP B-BLÅ PAR	01.01.2008 →	1
22	1512028-0440	HURTIGKOBLINGSAKSEL KORT KNAPP COMET PAR	01.01.2008 →	1
23	1493754	(Tetra clip with quick release axle, pair, short)		1
24	220.1033	EIKERREFLEKS		2
25	5719103	KULELAGER EE4S 2RS <i>Replaces 270.1003</i>		4

# (Mountain bike wheel)



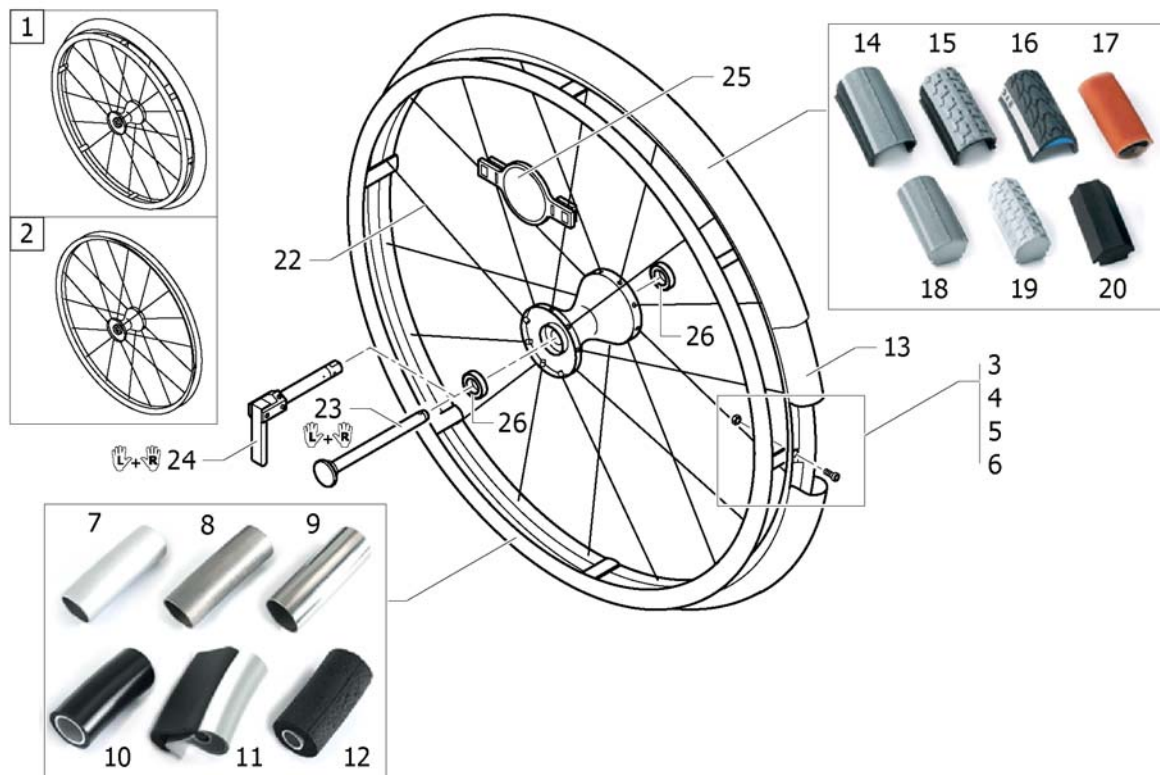
1	1517875	DRIVHJUL 24 MOUNTAINDRIVE 22 DRIVRING SVARTE EIKER <i>Replaces 1420959</i>		2
2	1496015	(Fixation kit handrim for Mountain bike wheel, 3 cm)		2
3	1496016	(Fixation kit handrim for Mountain bike wheel, 4 cm)		2
4	1496017	(Fixation kit handrim for Mountain bike wheel, 3 cm with spokes guard)		2
5	1496018	(Fixation kit handrim for Mountain bike wheel, 4 cm with spokes guard)		2
6	457.1023	DRIVRING 22 ALU ELOKSERT KUSCHALL		2
7	457.1045.429	DRIVRING 22 SUPERGRIP KUSCHALL		2
8	1495962	(Rim Protection for High Performance / Spinergy wheel)		2
9	1420884	SLANGE 24 MOUNTAINDRIVE KUSCHALL 47-507		2
10	1420887	DEKK 24 MOUNTAINDRIVE HJUL KUSCHALL		2
11	1512030	QR KORT AKSEL PAR		1
12	1512028-0407	HURTIGKOBINGSAKSEL KORT KNAPP UTEN PAR	01.01.2008 →	1
13	1493754	(Tetra clip with quick release axle, pair, short)		1
14	220.1033	EIKERREFLEKS		2
15	5719103	KULELAGER EE4S 2RS <i>Replaces 270.1003</i>		4
16	1529327	(Rear wheel Mountain Bike 24", without handrim, without tyre) <i>Replaces 1439420</i>		2



**(Spider wheel)**

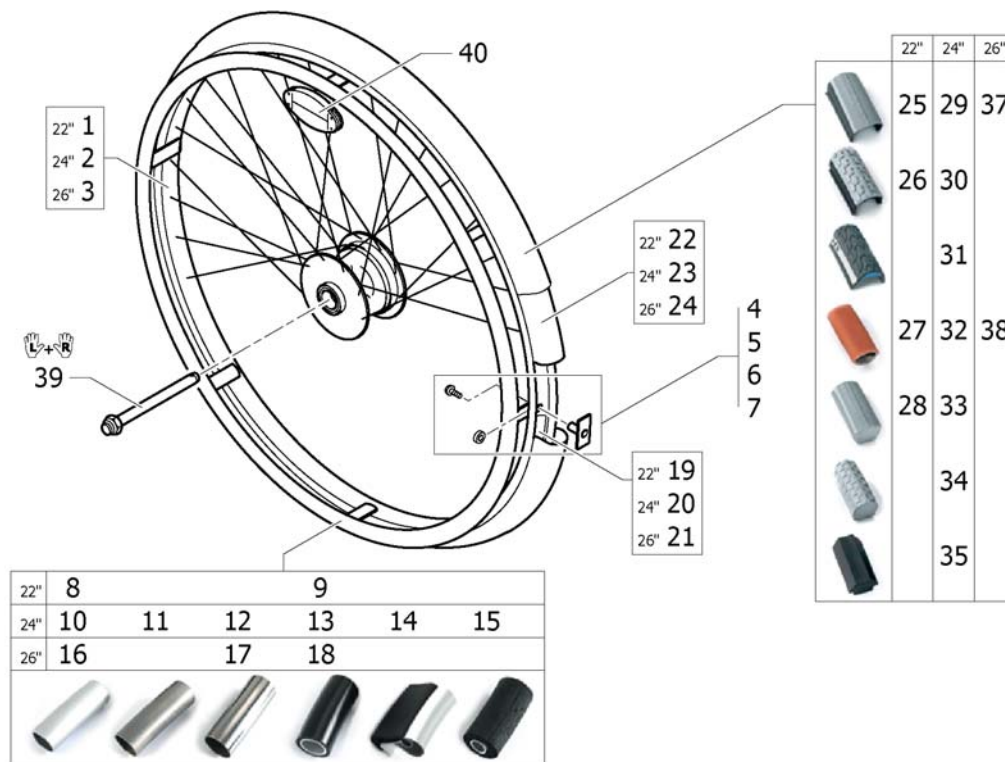
1	904.1201.000	DRIVHJUL 24 SPIDER KÜSCHALL ALU DRIVRING	2
2	1416977	DRIVHJUL 24 SPIDER KPL M ED TITAN DRIVR (3CM)	2
3	1416978	DRIVHJUL 24 SPIDER *b* KÜSCHALL SUPERGRIP DRIVR	2
4	1420961	DRIVHJUL 24 SPIDER KPL UTEN DRIVR	2
5	1424944	DRIVHJUL 24 SPIDER U DEKK OG DRIVRING KUSCH	2
6	1418931	DISTANSEKIT 3 CM DRIVRING SPIDER WHEEL	2
7	1418932	DISTANSEKIT 4 CM DRIVRING SPIDER WHEEL	2
8	457.1053.000	DRIVRING 24 ALU ELOKSERT SPIDER WHEEL	2
9	1416801	DRIVRING 24 TITAN KUSCHALL TIL SPIDERHJUL	2
10	1416802	DRIVRING 24 SUPERGRIP KUSCHALL SPIDERWHEEL	2
11	726.1008.000	(Rim protection 24" Large)	2
12	727.1002	SLANGE 24 X 1 STANDARD	2
13	1424749	DEKK 24 HØYTR GRÅ 7 BAR	2
14	728.1002	DEKK 24X 1 HØYTRYKK PROFILERTE GROVE GRÅ	2
15	1438521	DEKK 24 MARATHON KUSHALL BRUK 1570838 <i>New design: New tyre with reflect band. Recommended as a pair.</i>	01.07.2006 → 2
16	729.1001	DEKK 24X 1 HØYTR SPORT HALLALLE KÜSCH(GULE)	2
17	728.1032	#Bruk 1570839 01 FINT MØNSTER.KUSCHAL	2
18	728.1029	DEKK 24 MASS GRÅ R-402 GROVT MØNSTER KUSCHALL	2
19	728.1015	DEKK 24 KIK KOMPAKTE*B* SVARTE	2
21	1512030	QR KORT AKSEL PAR	1
22	1493754	(Tetra clip with quick release axle, pair, short)	1
23	1439352	(Spoke reflection set for Spider wheel)	2
24	1416804	(Bearing for Spider wheel)	4

## (Spinergy wheel)



1	1485805	DRIVHJUL 24 SPINERGY KPL GRÅ HØYTRYKK ALU DRIV.	2
2	1438747	DRIVHJUL 24 SPINERGY KUN FELG	2
3	1495967	FIKSERINGSKIT FOR DRIVRING SPINERGY 3CM	2
4	1495968	FIKSERINGSKIT FOR DRIVRING SPINERGY 4CM	2
5	1495969	(Fixation kit handrim for Spinergy wheel, 3 cm with spokes guard)	2
6	1495970	(Fixation kit handrim for Spinergy wheel, 4 cm with spokes guard)	2
7	1432287-0005	DRIVRING 24 ALU ELOKSERT KÜSCHALL st.SPINERGY <i>Replaces 1432286-0005</i>	2
8	457.1051	DRIVRING 24 TITAN KUSCHALL	2
9	457.1009	DRIVRING 24 RUSTFRITT STÅL KUSCHALL	2
10	457.1017.429	DRIVRING 24 SUPERGRIP KUSCHALL	2
11	457.1052.000	DRIVRING 24 TETRA GREP KUSCHALL KUN 24	2
12	905.5002	DRIVRING 24 MAXGREP MOSEGUMMI KUSCHALL	2
13	727.1002	SLANGE 24 X 1 STANDARD	2
14	1424749	DEKK 24 HØYTR GRÅ 7 BAR	2
15	728.1002	DEKK 24X 1 HØYTRYKK PROFILERTE GROVE GRÅ	2
16	1438521	DEKK 24 MARATHON KUSCHALL BRUK 1570838 <i>New design: New tyre with reflect band. Recommended as a pair.</i>	01.07.2006 → 2
17	729.1001	DEKK 24X 1 HØYTR SPORT HALLALLE KÜSCH(GULE)	2
18	728.1032	#Bruk 1570839 01 FINT MØNSTER.KUSCHAL	2
19	728.1029	DEKK 24 MASS GRÅ R-402 GROVT MØNSTER KUSCHALL	2
20	728.1015	DEKK 24 KIK KOMPakte*B* SVARTE	2
22	1493648	(Spoke for Spinergy wheel 24")	36
23	1507626	QR AKSEL KORT SPINERGY HJUL PAR	1
24	1509562	HURTIGKOBINGSKSEL HURT IGTKOBLING AKSEL AKSEL KO	1
25	1451931	(Spoke reflection for Spinergy wheel)	2
26	5719103	KULELAGER EE4S 2RS <i>Replaces 270.1003</i>	4

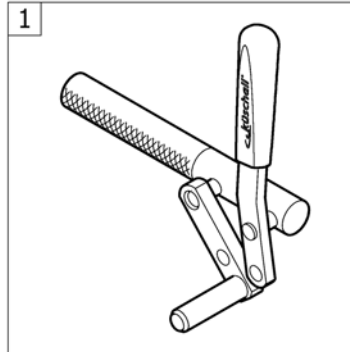


**(Drum brake wheel)**

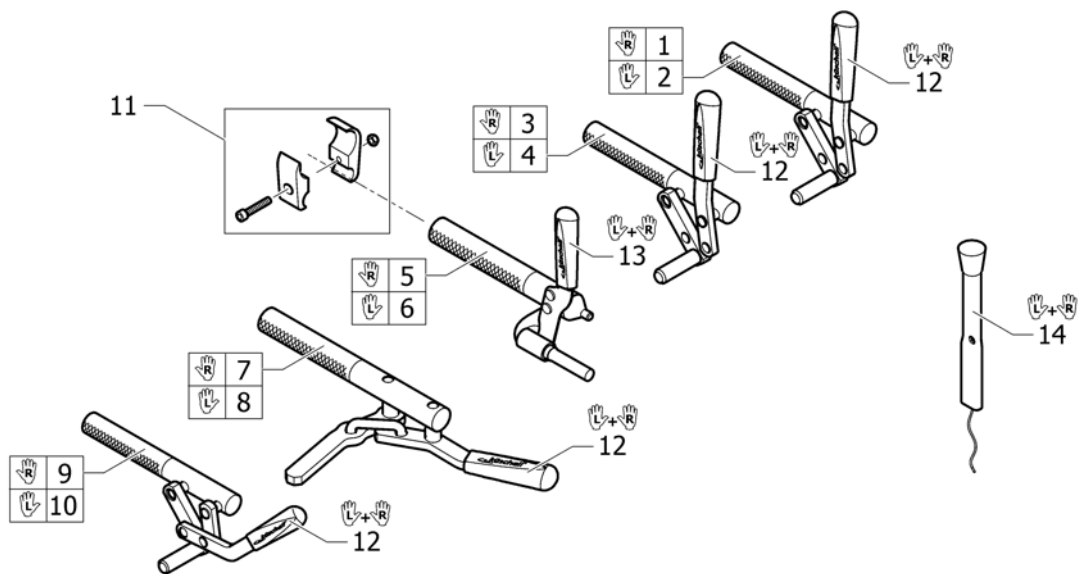
1	904.1117	DRIVHJUL 22 LED BREMS U/DRIVRING OG DEKK	2
2	904.1118	DRIVHJUL 24 LED BRMES U/DRIVRING OG DEKK<-2004	2
2	904.1118.950	(Rear wheel 24", drum brake, without handrim, without tyre, techno-ant.)	2
2	904.1118.951	(Rear wheel 24", drum brake, without handrim, without tyre, lemon)	2
2	904.1118.954	(Rear wheel 24", drum brake, without handrim, without tyre, apricot)	2
2	904.1118.957	(Rear wheel 24", drum brake, without handrim, without tyre, b-blue)	2
2	904.1118-0440	(Rear wheel 24", drum brake, without handrim, without tyre, comet red)	01.01.2007 → 2
3	904.1119	DRIVHJUL 26 FOR LED BREM UTEN DEKK UTEN DRIVR	2
4	1495958	(Fixation kit handrim, 3 cm)	2
5	1495959	DRIVRINGSFESTE KIT STD KUSCGHALL HJUL 4CM	2
6	1495960	(Fixation kit handrim, 3 cm with spokes guard)	2
7	1495961	(Fixation kit handrim, 4 cm with spokes guard)	2
8	457.1023	DRIVRING 22 ALU ELOKSERT KUSCHALL	2
9	457.1045.429	DRIVRING 22 SUPERGRIP KUSCHALL	2
10	1432287-0005	DRIVRING 24 ALU ELOKSERT KÜSCHALL st.SPINERGY <i>Replaces 1432286-0005</i>	2
11	457.1051	DRIVRING 24 TITAN KUSCHALL	2
12	457.1009	DRIVRING 24 RUSTFRITT STÅL KUSCAHLL	2
13	457.1017.429	DRIVRING 24 SUPERGRIP KUSCHALL	2
14	457.1052.000	DRIVRING 24 TETRA GREP KUSCHALL KUN 24	2
15	905.5002	DRIVRING 24 MAXGREP MOSEGUMMI KUSCHALL	2
16	457.1043	DRIVRING 26 ALU ELOKSERT KUSCAHLL	2
17	457.1010	DRIVRING 26 RUSTFRITT STÅL KUSCAHLL	2
18	457.1046.429	DRIVRING 26 SUPERGRIP KUSCHALL	2
19	726.1005	FELGBÅND 22" KÜSCHALL	2
20	726.1008.000	(Rim protection 24" Large)	2
21	726.1003	FELGBÅND 26" KÜSCHALL	2
22	727.1007	SLANGE 22 X1 STANDARD KÜSCHALL	2
23	727.1002	SLANGE 24 X 1 STANDARD	2
24	727.1003	SLANGE 26 X 1 STANDARD KÜSCHALL	2
25	728.1027	DEKK 22 HØYTRYKK STD KID CONH KÜSCHALL	2
26	1493768	DEKK 22 GROVMØNSTER 4,5 BAR	2

**(Drum brake wheel)**

27	729.1006	DEKK 22X1 HØYTR SPORT HALLALLE	01.01.2003 → 31.03.2008	2
28	728.1031	DEKK 22 MASSIVE GRÅ LETTE KÜSCHALL		2
29	1424749	DEKK 24 HØYTR GRÅ 7 BAR		2
30	728.1002	DEKK 24X 1 HØYTRYKK PROFILERTE GROVE GRÅ		2
31	1438521	DEKK 24 MARATHON KUSHALL BRUK 1570838 <i>New design: New tyre with reflect band. Recommended as a pair.</i>	01.07.2006 →	2
32	729.1001	DEKK 24X 1 HØYTR SPORT HALLALLE KÜSCH(GULE)		2
33	728.1032	#Bruk 1570839 01 FINT MØNSTER.KUSCHAL		2
34	728.1029	DEKK 24 MASS GRÅ R-402 GROVT MØNSTER KUSCHALL		2
35	728.1015	DEKK 24 KIK KOMPakte*B* SVARTE		2
37	728.1007	DEKK 26 SMOOTH RUNNING 7 BAR ALLE KÜSCH		2
38	729.1002	DEKK 26X1 HØYTR GULE SPORT HALL KÜSCHALL		2
39	1512031	QR LONG AKSEL PAR		1
40	220.1033	EIKERREFLEKS		2

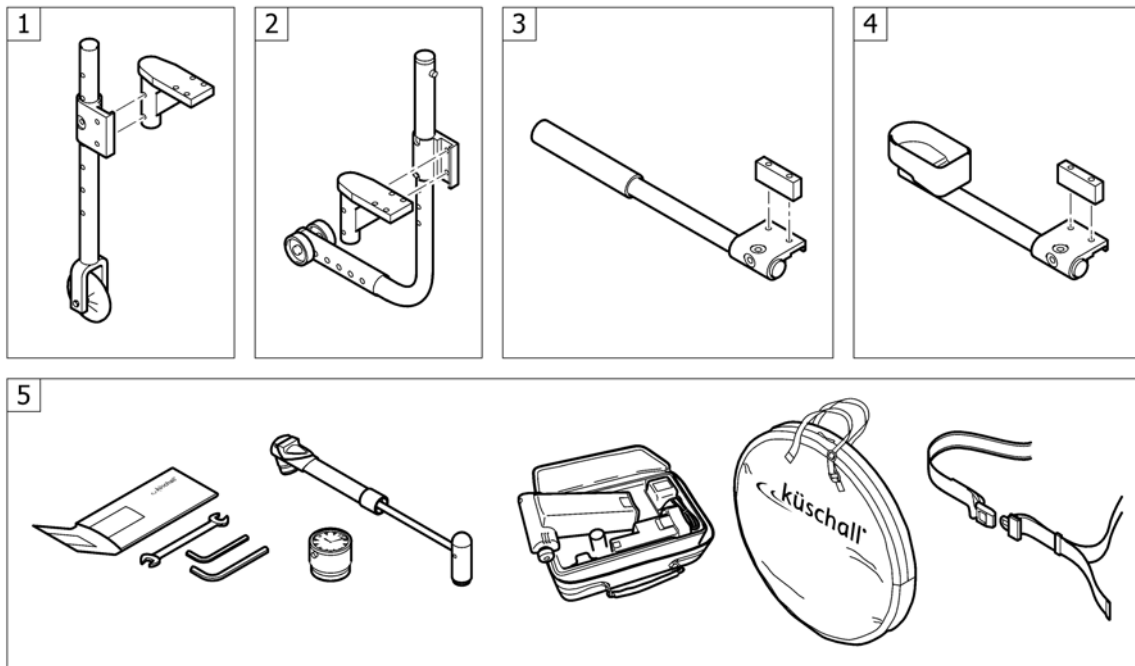


# (Brakes)



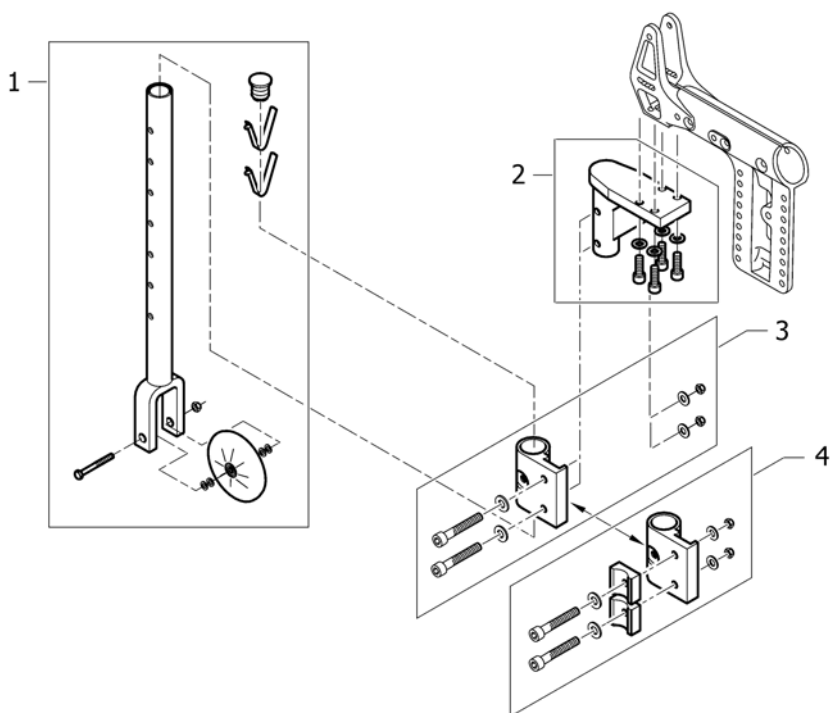
1	1512128	BREMSESPAK RETT HØ STD COUL NY 150208 <i>Replaces the 901.1069 brake</i>	1
2	1512127	BREMSESPAK RETT VE STD COUL FRA 150208 <i>Replaces the 901.1070 brake</i>	1
3	1512126	BREMS SPAK FORMET HØ STD COUL FRA 150208 <i>Replaces the 901.1076 brake</i>	1
4	1512125	BREMS SPAK FORMET VE STD COUL FRA 150208 <i>Replaces the 901.1077 brake</i>	1
5	1512132	BREMS PERFORMANCE HØ DEL UTEN KLEMME FRA 150208 <i>Replaces the 901.1037 brake</i>	1
6	1512131	BREMS PERFORMANCE VE UTEN KLEMME FRA 150208 <i>Replaces the 901.1038 brake</i>	1
7	1512134	BREMS SAKSE HØ KUSCHALL FRA 150208 <i>Replaces the 901.1115 brake</i>	1
8	1512133	BREMS SAKSE VE KUSCHALL FRA 150208 <i>Replaces the 901.1116 brake</i>	1
9	1512130	BREMS DRA FOR Å LÅSE HØ STD ULCPAKID FRA 150208 <i>Replaces the 901.1096 brake</i>	1
10	1512129	BREMS DRA FOR Å LÅSE VE STD ULCPAKID FRA 150208 <i>Replaces the 901.1097 brake</i>	1
11	1513176	KLEMME BREMS KPL K-SERIE CHAMP 110708 <i>Replaces 901.1075</i>	2
12	1513177	HÅNDTAK BREMS PAR KUSCHALL <i>Replaces 1432056</i>	1
13	1513178	HÅNDTAK BREMS PERFORMANCE PAR KUSCHALL <i>Replaces 1432055</i>	1
14	1513179	BREMSEFORLENGER PAR KUSCHALL K-JUN COMPACT <i>Replaces 901.1095</i>	1

## Utstyr og tilbehør



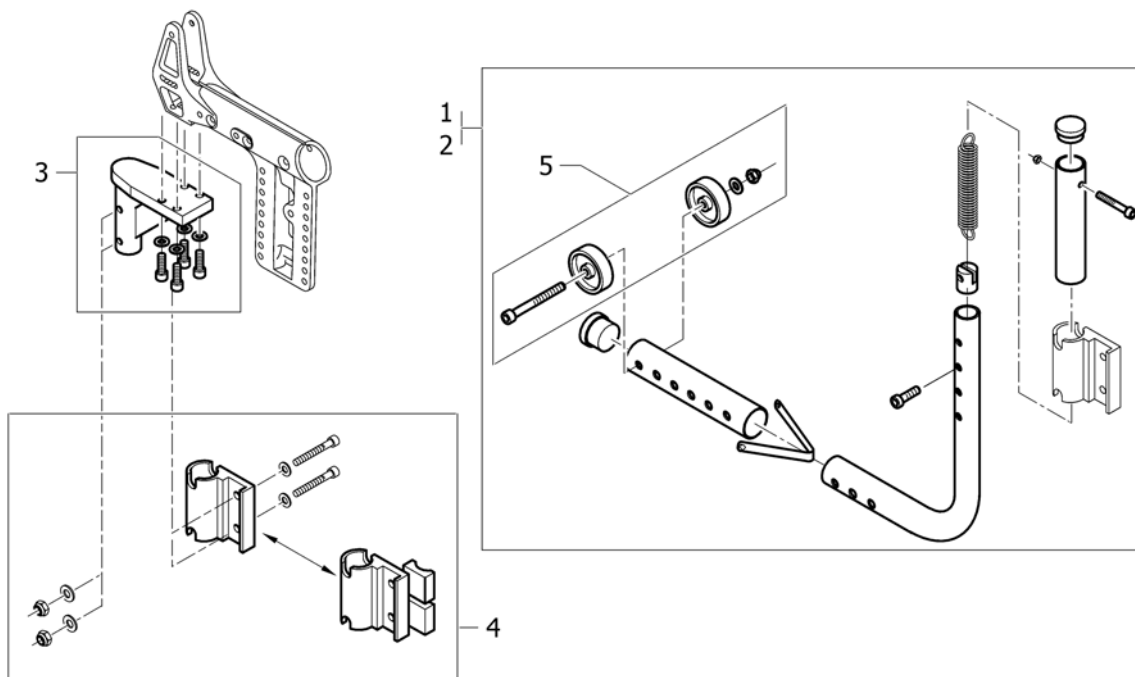
1	-	(Transit wheels)	→ 31.03.2008	1
2	-	(Antitipper)	→ 31.03.2008	1
3	-	(Tipper aid)	→ 31.03.2008	1
4	-	(Cane holder)	→ 31.03.2008	1
5	-	(Chair accessories)	→ 31.03.2008	1

## (Transit wheels)



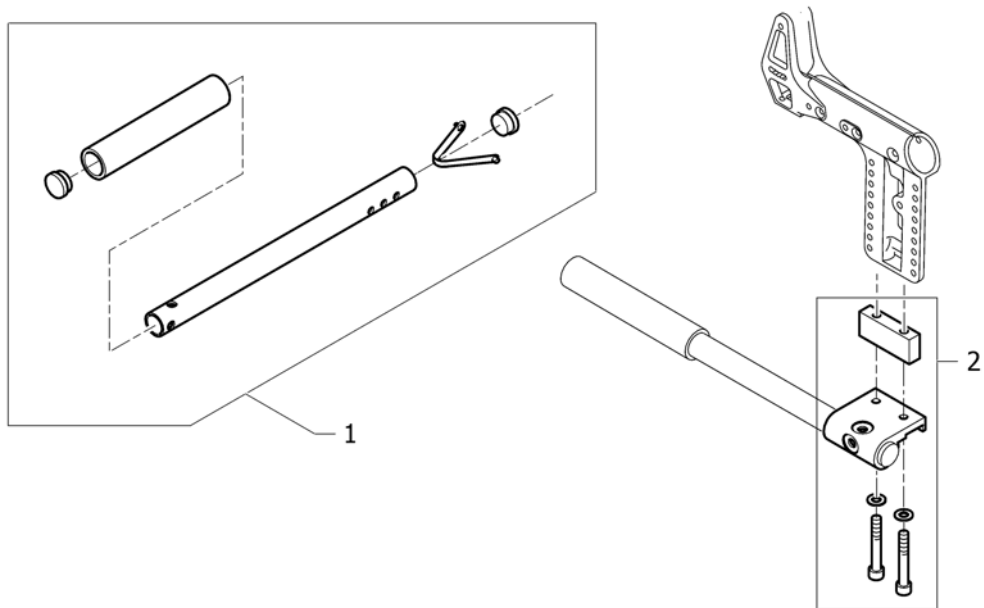
1	1432105	TRANSPORTHJUL 3 SUPERSP KPL M/FESTERCHAMP PAR	1
2	1432095	HOLDER ADAPTER CHAMPION ARMLEN/TIPPESIKRING SETT	2
3	1496962	HOLDER CHAMP.TRANSPORT HJUL PAR.	1
4	1496963	HOLDER CHAMP.TRANSPORT HJUL OG TRAMPERØR PAR	1

**(Antitipper)**



1	1432107	TIPPESIKRING CHAMP HØYRE INNSVINGBAR KPL NY010503	1
2	1432108	TIPPESIKRING CHAMP VENST INNSVINGBAR KOMPLETT	1
3	1432095	HOLDER ADAPTER CHAMPION ARMLEN/TIPPESIKRING SETT	1
4	1432097	HOLDER ADAPTER CHAMPION ARMLEN SETT	1
5	1432106	DRIVHJUL-KIT FOR ANTI-TI CHAMP	1

# (Tipper aid)

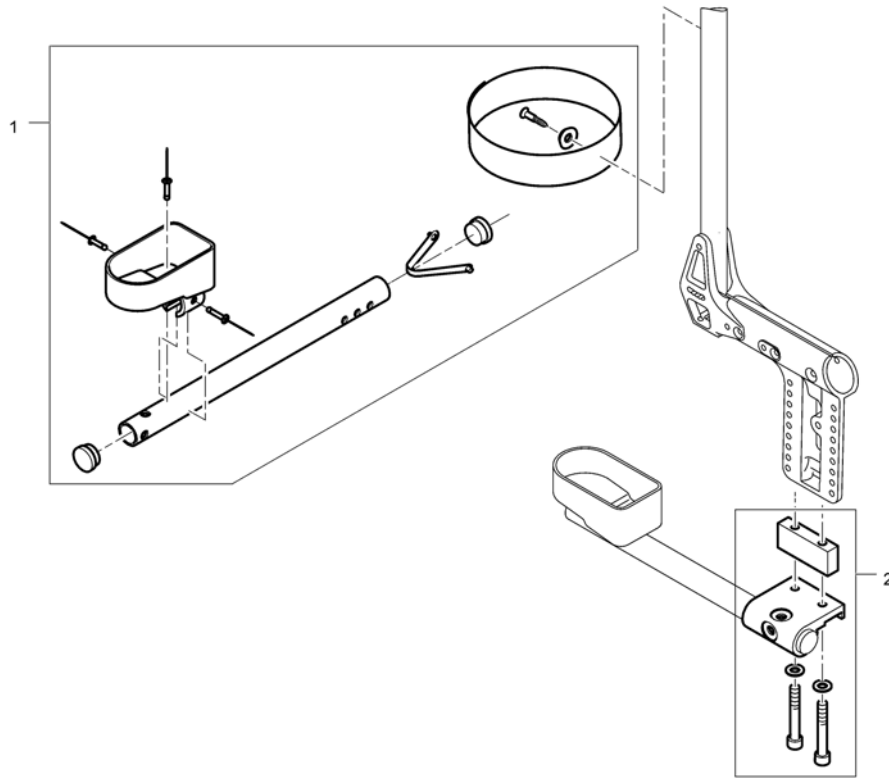


---

1	1432109	VIPPESTUSS ULCPACKID NEOCHEMICH	1
2	1432096	HOLDER ADAPTER CHAMPION VIPPESTUSS KRYKKEHOLDER	1

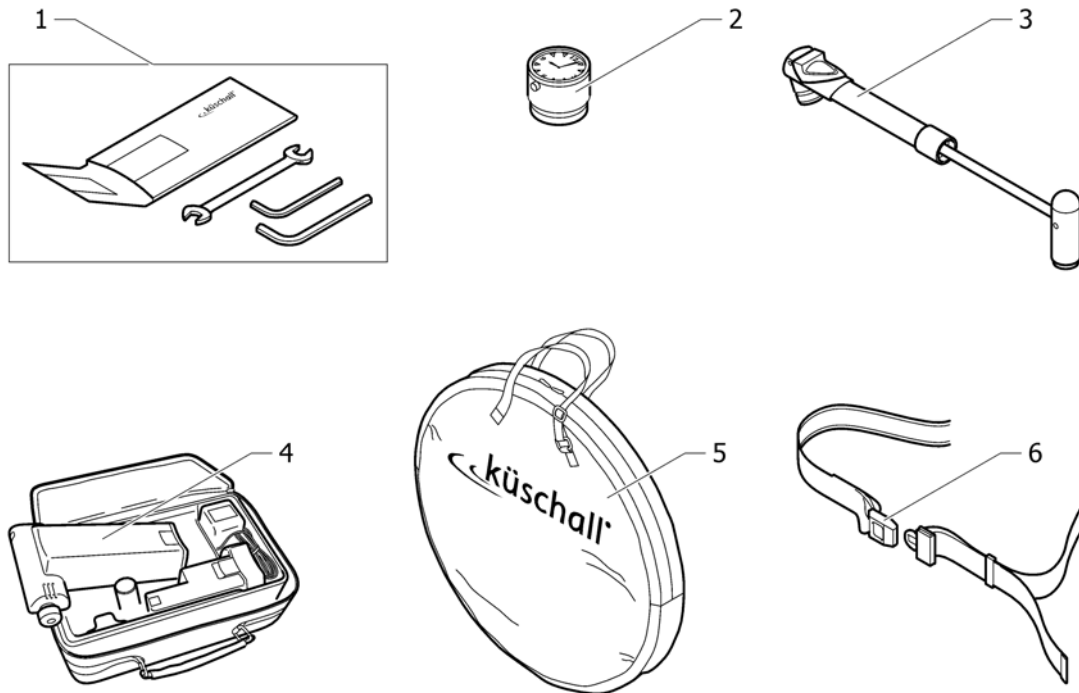


**(Cane holder)**



1	1432110	KRYKKEHOLDER CHAMPION NY BESTILL FESTE: 1432096	1
2	1432096	HOLDER ADAPTER CHAMPION VIPPESTUSS KRYKKEHOLDER	1

## (Chair accessories)



1	1518285	VERKTØYSETT KUSCHALL <i>Replaces 800.1013</i>	1
2	1517925	(Küschall watch)	1
3	1517924	(Air pump) <i>Replaces 801.1004</i>	1
4	1518286	(Air man) <i>Replaces 801.1006.000</i>	1
5	1518287	VESKE FOR 24 OG 26 HJUL KÜSCHALL LOGO <i>Replaces 1420922</i>	1
6	1518288	HOFTEBELTE M LÅSEMEK K-JUNIOR	1





Yes, you can.®



---

**Belgium & Luxemburg:**

Invacare nv, Autobaan 22, B-8210 Loppem  
Tel: (32) (0)50 83 10 10, Fax: (32) (0)50 83 10 11  
belgium@invacare.com / www.invacare.be

**Denmark:**

Invacare A/S, Sdr. Ringvej 37, DK-2605 Brøndby  
Tel: (45) (0)36 90 00 00, Fax: (45) (0)36 90 00 01  
denmark@invacare.com / www.invacare.dk

**Deutschland:**

Invacare Aquatec GmbH, Alemannenstraße 10, D-88316 Isny  
Tel: (49) (0)75 62 7 00 0, Fax: (49) (0)75 62 7 00 66  
info@invacare-aquatec.com / www.invacare-aquatec.de

**European Distributor Organisation:**

Invacare, Kleiststraße 49, D-32457 Porta Westfalica  
Tel: (49) (0)57 31 754 540, Fax: (49) (0)57 31 754 541  
edo@invacare.com / www.invacare.eu.com

**España:**

Invacare SA, c/Areny s/n, Polígon Industrial de Celrà, E-17460 Celrà (Girona)  
Tel: (34) (0)972 49 32 00, Fax: (34) (0)972 49 32 20  
contactsp@invacare.com / www.invacare.es

**France:**

Invacare Poirier SAS, Route de St Roch, F-37230 Fondettes  
Tel: (33) (0)2 47 62 64 66, Fax: (33) (0)2 47 42 12 24  
contactfr@invacare.com / www.invacare.fr

**Ireland:**

Invacare Ireland Ltd, Unit 5 Seatown Business Campus, Seatown Road, Swords, County Dublin - Ireland  
Tel: (353) 1 810 7084, Fax: (353) 1 810 7085  
ireland@invacare.com / www.invacare.ie

**Italia:**

Invacare Mecc San s.r.l., Via dei Pini 62, I-36016 Thiene (VI)  
Tel: (39) 0445 38 00 59, Fax: (39) 0445 38 00 34  
italia@invacare.com / www.invacare.it

**Nederland:**

Invacare BV, Celsiusstraat 46, NL-6716 BZ Ede  
Tel: (31) (0)318 695 757, Fax: (31) (0)318 695 758  
nederland@invacare.com, csede@invacare.com / www.invacare.nl

**Norge:**

Invacare AS, Grensesvingen 9, Postboks 6230, Etterstad, N-0603 Oslo  
Tel: (47) (0)22 57 95 00, Fax: (47) (0)22 57 95 01  
norway@invacare.com, island@invacare.com / www.invacare.no

**Österreich:**

Invacare Austria GmbH, Herzog Odilostrasse 101, A-5310 Mondsee  
Tel: (43) 6232 5535 0, Fax: (43) 6232 5535 4  
info-austria@invacare.com / www.invacare.at

**Portugal:**

Invacare Lda, Rua Estrada Velha, 949, P-4465-784 Leça do Balio  
Tel: (351) (0)225 1059 46/47, Fax: (351) (0)225 1057 39  
portugal@invacare.com / www.invacare.pt

**Sverige & Suomi:**

Invacare AB, Fagerstagatan 9, S-163 91 Spånåsa  
Tel: (46) (0)8 761 70 90, Fax: (46) (0)8 761 81 08  
sweden@invacare.com, finland@invacare.com / www.invacare.se

**Switzerland:**

Invacare AG, Benkenstrasse 260, CH-4108 Witterswil  
Tel: (41) (0)61 487 70 80, Fax: (41) (0)61 487 70 81  
switzerland@invacare.com / www.invacare.ch

**United Kingdom:**

Invacare Limited, Pencoed Technology Park, Pencoed, Bridgend CF35 5AQ  
Switchboard Tel: (44) (0)1656 776200, Fax: (44) (0)1656 776201  
Customer services Tel: (44) (0)1656 776222, Fax: (44) (0)1656 776220  
uk@invacare.com / www.invacare.co.uk