

Spare Parts Catalogue

Version: PartList_EFIXE25_20130510a.xls NO





Yes, you can.®

General Information

For any order of spare parts the following information is required:

- Product type*
- Product name & model*
- Serial Number*
- Part-Number*
- Part-Description*

Exploded view drawings and code numbers are not contractual and subject to modification, in relation to Invacare® continuous product improvement policy to meet end users needs.

The reproduction or use of this work, or of any substantial part of this work, in any form or by any electronic, mechanical or other means, including photocopying, scanning and recording, and in any information storage and retrieval system, including electronic transmission, is forbidden without the prior written permission of Invacare® International Sarl.



Yes, you can.®

TABLE OF CONTENTS

Drivhjul

(Drive wheels)	5
(Drive wheels spare-parts)	6
(Drive wheel e-fix E26 12,5" Esprit)	7
(Drive wheels spare-parts)	6

Kontrollenhet

(Control unit)	8
(Control unit e-fix E25/E26 complete spare-parts)	9

kabel og lader

(Cables, Charger)	10
(Interface e-fix E25/E26 spare-parts)	11
(Charger 24 V 2,5 A with main cable EU spare-parts)	12

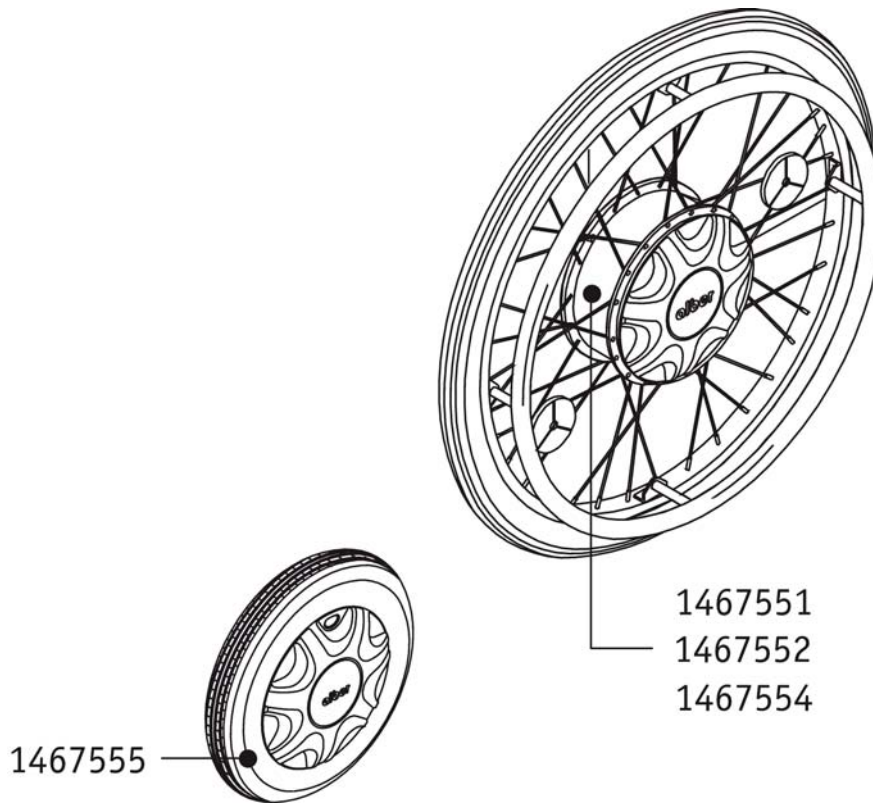
Batteripakke

(Battery pack)	13
(Battery pack 24V/12Ah e-fix E25/E26 spare-parts)	14
(Battery pack 24V/17Ah e-fix E25/E26 spare-parts)	15

Tilbehør

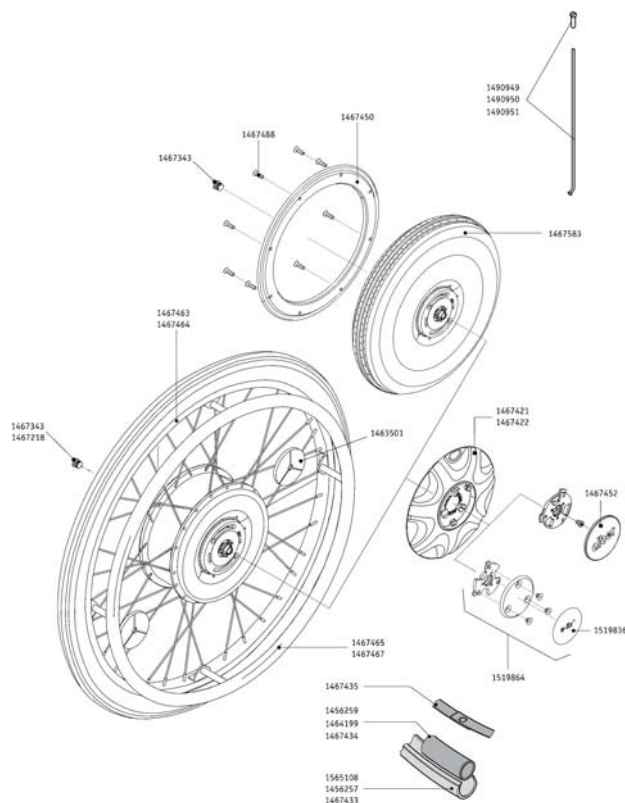
(Accessories)	16
(Intuitive attendant control for e-fix spare-parts)	17
(Bracket intuitive attendant control (pair) Ø19mm for marginal mount)	18
(Bracket intuitive attendant control (pair) Ø19mm for marginal mount spare parts)	19
(Swivel arm for control unit e-fix E25/E26 spare-parts)	20
(Holder control unit for attachment to the wheelchair)	21
(Holder control unit for attachment to the wheelchair spare parts)	22
(Bracket for swivel arm)	23
(Bracket for swivel arm spare parts)	24
(Bracket for attendant control right for push handle Profil 18,5 x 12,5mm)	25
(Bracket for attendant control right for push handle Profil 18,5 x 12,5mm spare parts)	26
(Bracket intuitive attendant control for tube Profil 18,5 x 12,5mm)	27
(Bracket intuitive attendant control for tube Profil 18,5 x 12,5mm spare parts)	28
(anti-tippers without jack-up function spare-parts)	29
(Anti-tippers with jack-up function Ersatzteile)	30

(Drive wheels)



1467551	DRIVHJUL 22 ALBER E-FixE25	1
1467552	DRIVHJUL 24 ALBER E-FixE25	1
1467554	DRIVHJUL 24 ALBER E-FixE26	1
1467555	DRIVHJUL 12,5 ALBERE-FIX E26	1
-	(Drive wheels spare-parts)	1

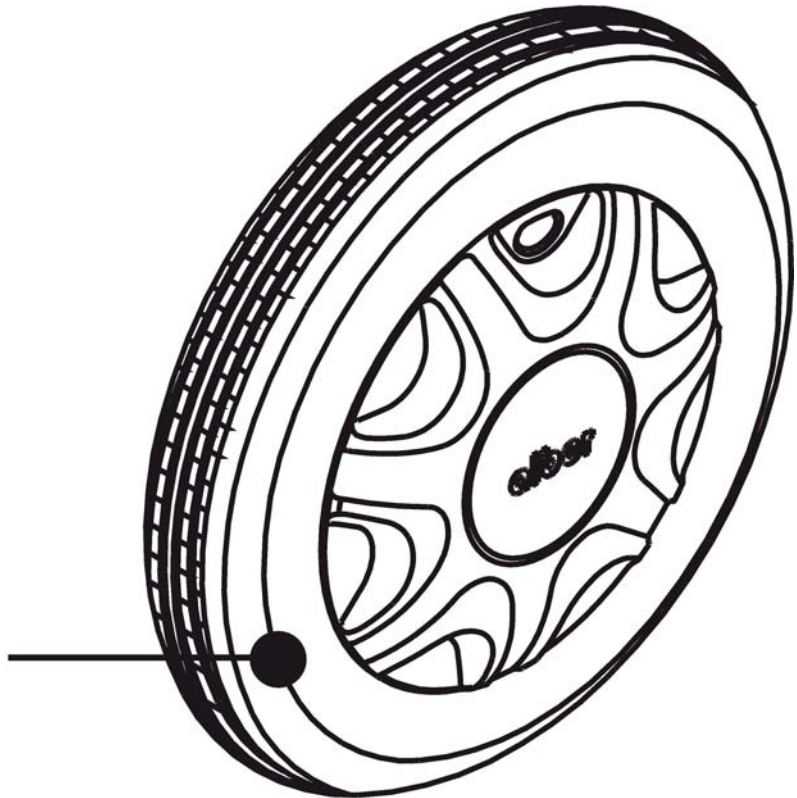
(Drive wheels spare-parts)



1467421	KOPLINGSRING HJULE-FIX E25 E26		1
1467422	UTLØSER RING E-FIX E25E-FIX E25		1
1467452	UTLØSERDEKSEL HJULNAVE25 E26 E-FIX <i>replaced by 1519864</i>	→ 30.09.2008	1
1467215	(Nipple e-fix E25/E26 brass Polyax 14mm for 2mm spoke silver)		1
1519864	UTLØSERDEKSEL HJULNAVE25 E26 E-FIX <i>replaces 1467452</i>	01.10.2009 →	1
1519836	(Sticker for release cover E25/E26)		1
1467488	(Cylinder head screw Torx M 4 x 16)		1
1467450	(Wheel rim e-fix E26Z)		1
1490949	(Spoke set E25 22" Dia.2,0mm 5 spokes an nipples)		1
1490950	EIKE SETT AV 5 STK E2524 DRIVHJUL		1
1490951	(Spoke set E26 24" reinforced 5 spokes an nipples)		1
1467463	(Rim 24" for e-fix E25/E26)		1
1467464	(Rim 22" for e-fix E25)		1
1467465	DRIVRING 24 E25 E26E-FIX		1
1467467	DRIVRING 22 E25 E-FIX		1
1467093	(Countersunk head screw M 4 x 10)		1
1467433	(Tyre e-fix E26 24" 37-540)		1
1456257	DEKK PKT FRI 22" YTREDEL E-FIX		1
1456258	DEKK PKT FRI 24" YTREDEL E-FIX		1
1467583	(Tyre 12 1/2 x 2 1/4 grey including flatfree insert for e-fix E26Z)		1
1467434	(Tube with car-type valve 38/47-540 for E26)		1
1464199	INNLEGG PKT FRI 22"INDRE DEL E-FIX		1
1456259	PUNKTERINGSFRI INNLEGG24 E-MOTION E-FIX		1
1467435	(Rim strip "Schwalbe Super HP" 16-540)		1
1463501	REFLEKS EF EM HJUL		1
1467343	(Stop screw e-fix E25/E26)		1
1467218	(Pressure spring D-113)		1

(Drive wheel e-fix E26 12,5" Esprit)

1519791



1519791

(Drive wheel e-fix E26 12,5" Esprit)

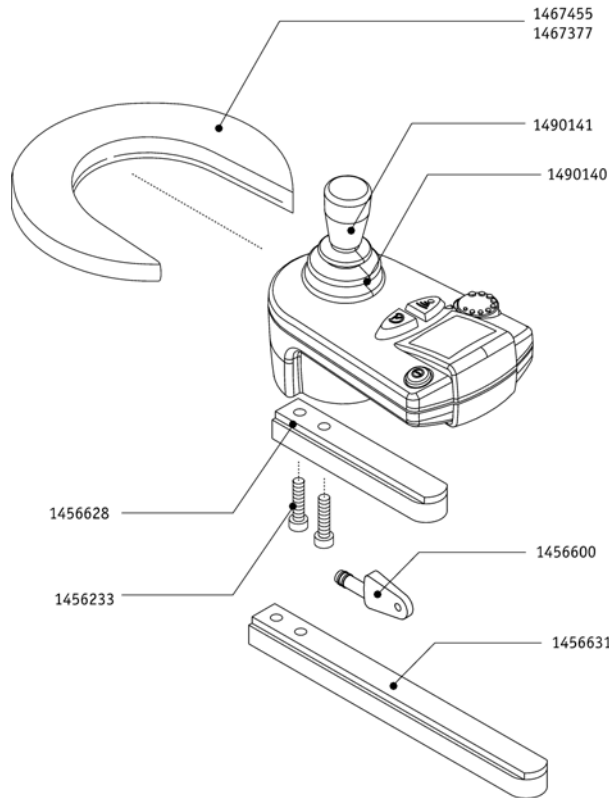
1

-

(Drive wheels spare-parts)

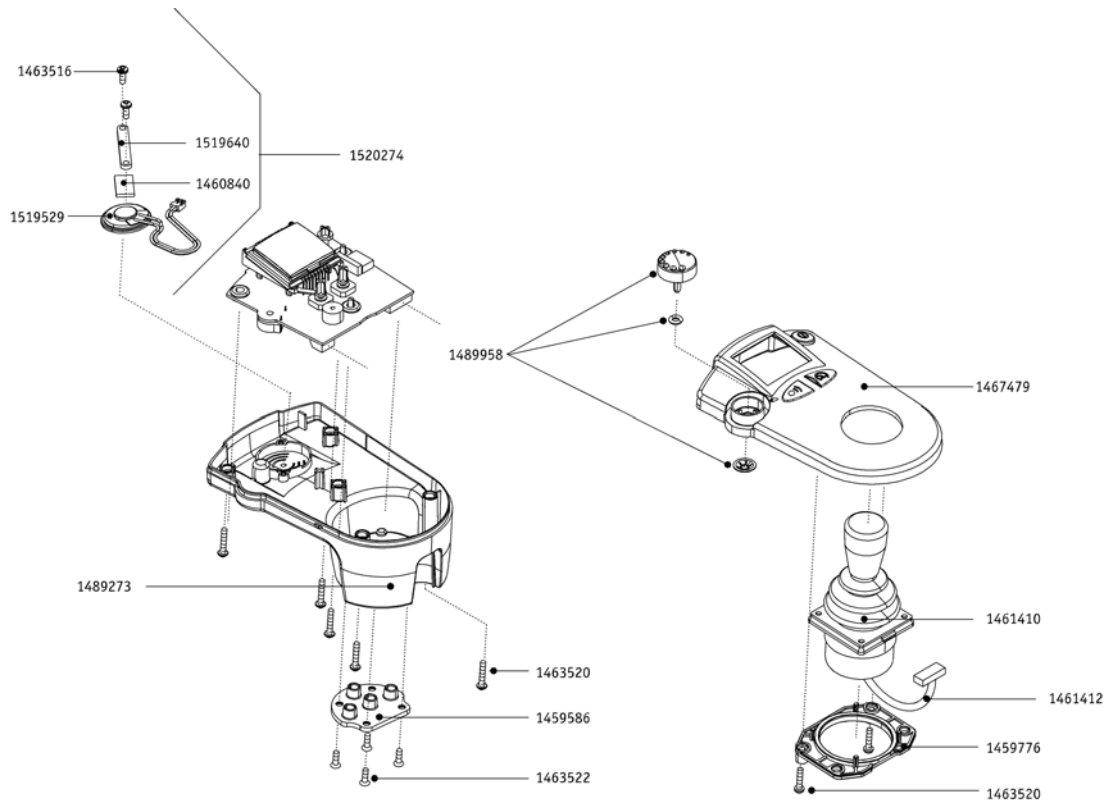
1

(Control unit)



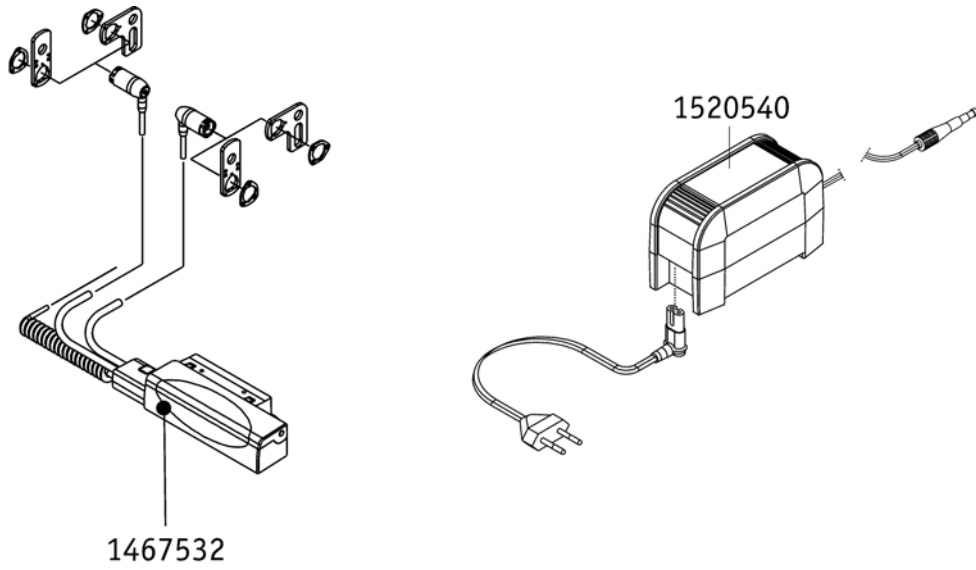
1467553	STYREBOKS E25/E26 KPL	1
1456600	PROGRAMMERINGSNØKKELE-FIX E20/E25/E26	1
1456233	SKRUE TIPPESIKRING DIN7984 M 6 x 20	1
1456631	HOLDER TILSTYREBOKSFESTE LANG EFIX	1
1456628	GUIDE FOR HÅNDE-FIX STYREBOKS	1
1467377	HÅNDSTØTTE EKSTRA STORTE25 E26	1
1490141	JOUSTICK KULE E-FIXE-FIX	1
1490140	BELG JOYSTICK E-FIXE-FIX	1
1467455	HÅNDSTØTTE LITEE25 E26	1
-	(Control unit e-fix E25/E26 complete spare-parts)	1

(Control unit e-fix E25/E26 complete spare-parts)

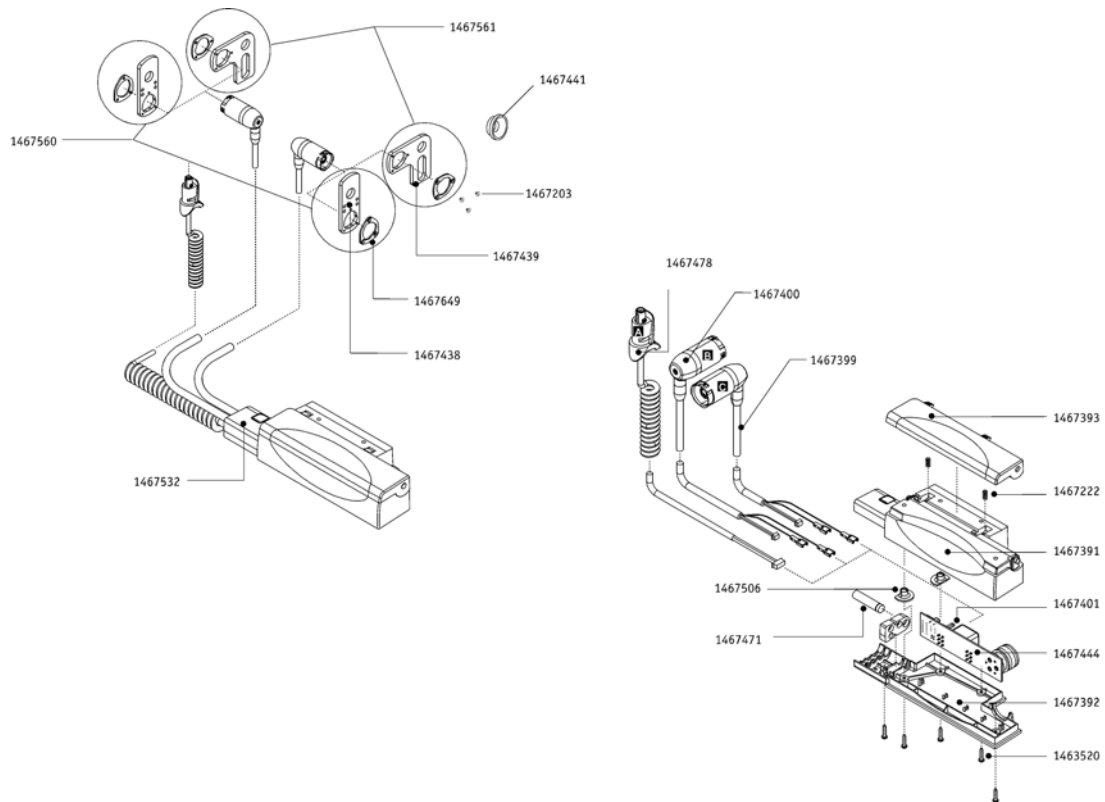


1459586	HOLDER BUNNPLATESTYREBOKS E-FIX E 25	1
1459776	(Clamping plate for P & G joystick)	1
1461412	(Cable make for joystick for Adventure A10 and e-fix E25/E26)	1
1461410	(Joystick)	1
1463516	(Screw Eject PT KA 30 x 5 WN)	1
1463520	(Screw Eject PT K 30 x 14 WN)	1
1463522	(Screw Eject PT K 35 x 10 WN)	1
1519529	(Speaker with cable for E25/E26/Q10)	1
1463516	(Screw Eject PT KA 30 x 5 WN)	1
1519640	(Bow for horn e-fix E25/E26)	1
1464094	JOYSTIC KULE E-FIX E-25E-26	1
1460840	(Damping element for cover plate)	1
1467479	(Housing upper part for control unit e-fix E25/E26)	1
1520274	(Speaker for e-fix E25/E26 complete)	1
1489273	(Housing lower part for control unit e-fix E25/E26 with mounted connector)	1
1489958	(Adjusting wheel for control unit e-fix E25/E26 complete)	1

(Cables, Charger)

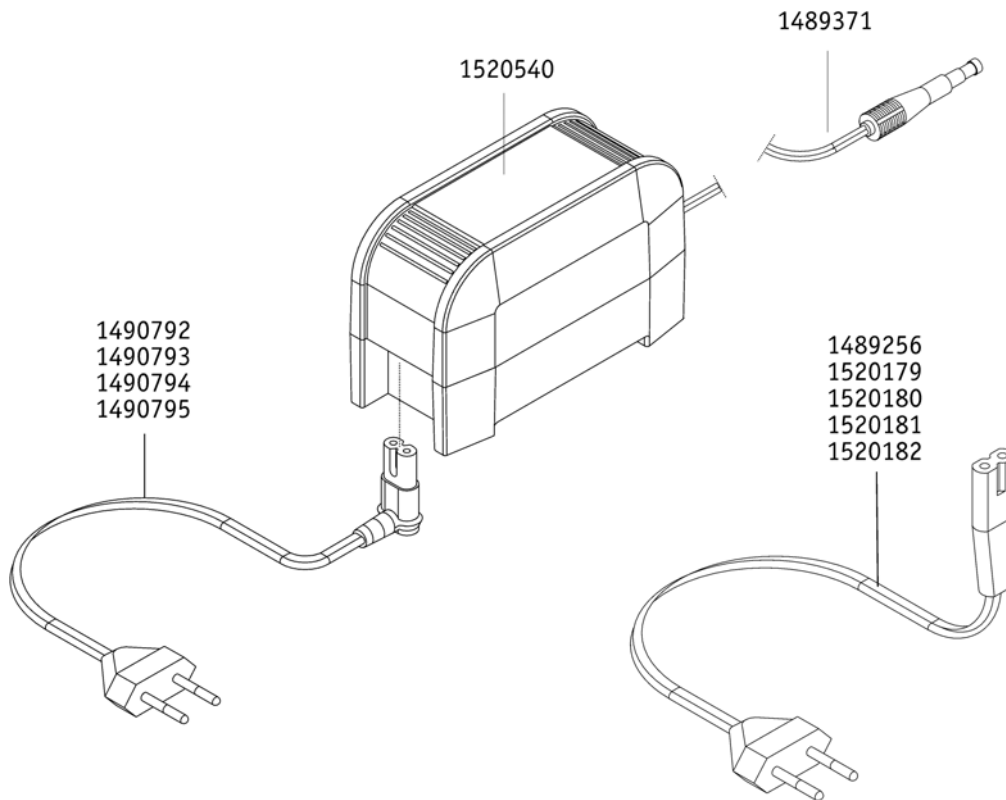


1467532	LEDNINGSNETT UTEN FESTEPLATER E25/E26	1
1520540	(Charger 24 V 2,5 A with main cable EU)	1
-	(Interface e-fix E25/E26 spare-parts)	1
-	(Charger 24 V 2,5 A with main cable EU spare-parts)	1

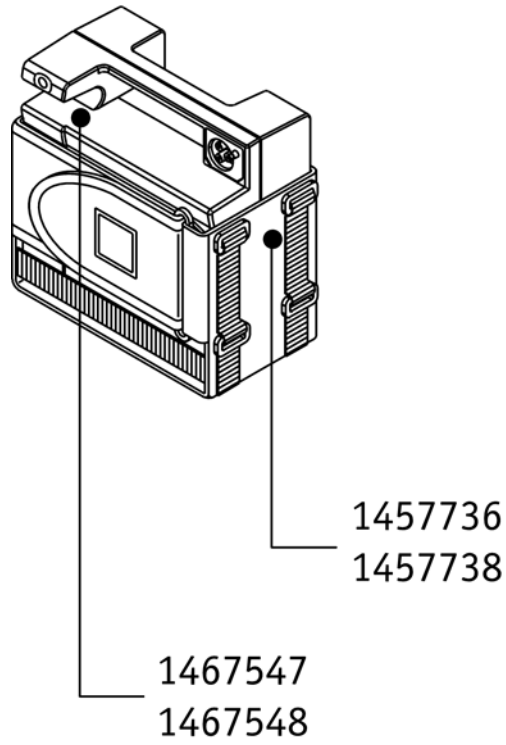
(Interface e-fix E25/E26 spare-parts)

1463520	(Screw Ejot PT K 30 x 14 WN)	1
1467203	SKRUER 6 ST LEDNINGSNETTE-FIX E25 E26	1
1467222	(Pressure spring D-047D)	1
1467391	(Housing interface upper part e-fix E25/E26)	1
1467392	(Housing interface lower part e-fix E25/E26)	1
1467393	UTLØSERMEKANISME E-FIXE-FIX E25	1
1467399	MOTORKABEL HØ KORT E-FIXE25/26 INTERFACE	1
1467400	MOTORKABEL VE LANG E-FIXE25/26 INTERFACE	1
1467401	JUMPER FOR OMBYGGING NÅROPTI BOX FJERNES	1
1467438	(Torque receiver e-fix E25/E26 straight)	1
1467439	(Torque receiver e-fix E25/E26 right-angled)	1
1467441	(Sliding block e-fix E25/E26)	1
1467444	(Circuit board interface e-fix E25/E26)	1
1467471	GUMMIPAKNING FOR OMBYGGNÅR OPTI BOX FJERNES	1
1467478	KABEL HELIX STYREBOKSE25/E26	1
1467506	(Cable guide e-fix E25/E26)	1
1467532	LEDNINGSNETT UTEN FESTEPLATER E25/E26	1
1467560	BESLAG RETT FORINTERFACE E25/E26	1
1467561	BESLAG VINKLET FORINTERFACE E25/E26	1
1467649	(Fixation plate for e-motion/E25/E26)	1

(Charger 24 V 2,5 A with main cable EU spare-parts)

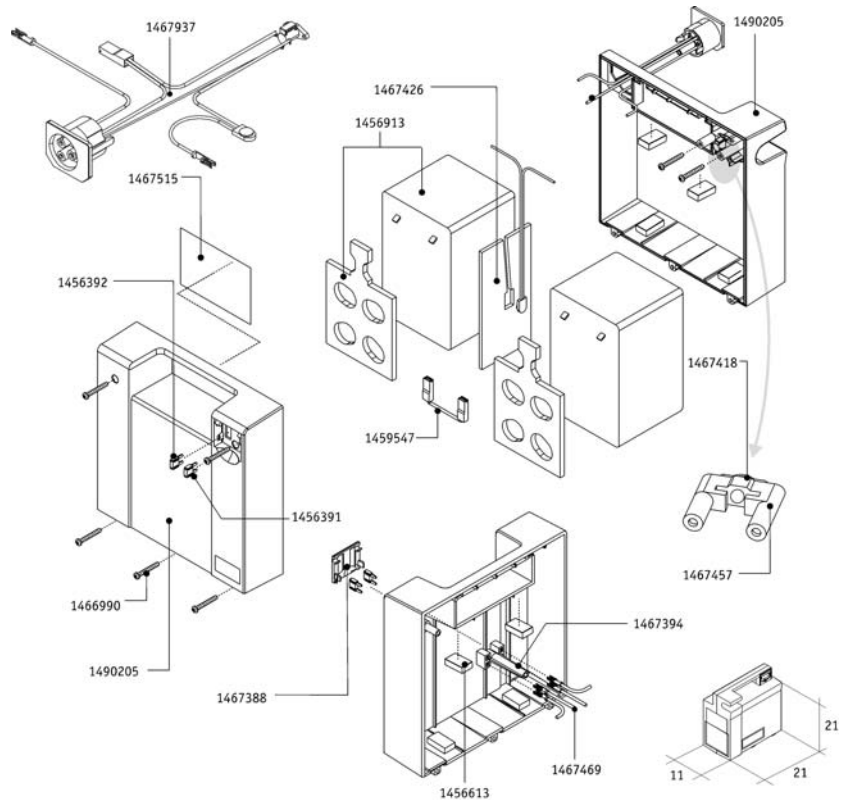


1520540	(Charger 24 V 2,5 A with main cable EU)	1
1489256	(Mains cable charger E25/E26 USA/CN)	1
1489371	(Charging cable for battery charger E25/E26)	1
1490792	(Main Cable for charger e-motion M15 EU for PS3025)	1
1490793	(Mains cable charger USA e-motion M15/PS3025)	1
1490794	(Mains cable for charger e-motion M15 PS3025)	1
1490795	(Mains cable for charger e-motion M15 PS3025 AU)	1
1520179	(Mains cable for charger 1.0A USA/Japan)	1
1520180	(Mains cable for charger 1.0A UK-Version)	1
1520181	(Mains cable for charger 1.0A AU)	1
1520182	NETTKABEL LADER V15 V25EU	1

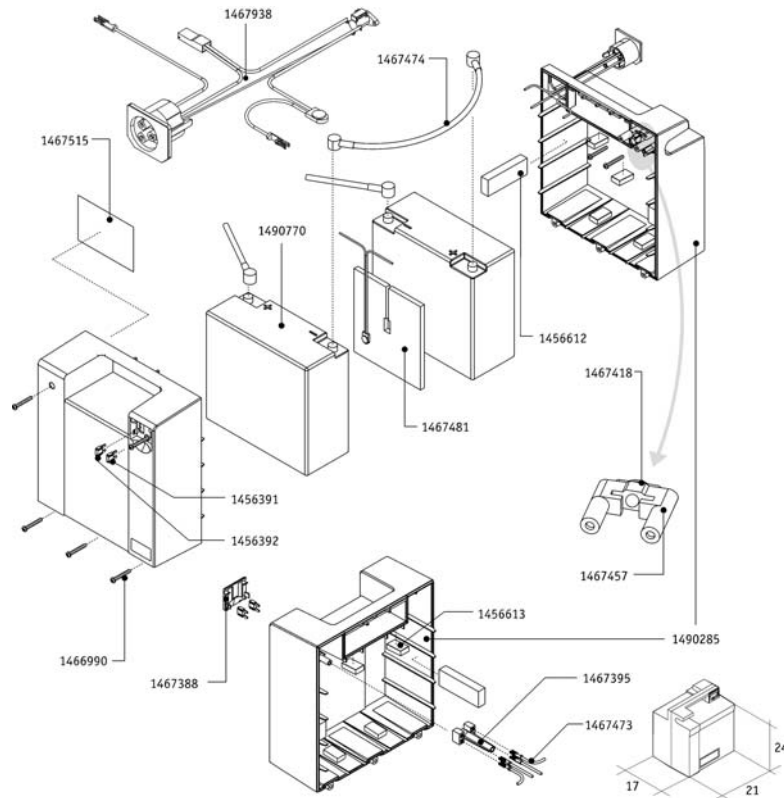


1467547	BATTERIPAKKE 12AH KPLE25 26	1
1467548	BATTERIPAKKE 22AH KPLE25 26	1
1457736	\$BATTERIVESKE FOR 12AMPBRUK 1489363 E-FIX	1
1457738	BATTERIVESKE FOR 22AMPBATTERIER E-FIX	1
-	(Battery pack 24V/12Ah e-fix E25/E26 spare-parts)	1
-	(Battery pack 24V/17Ah e-fix E25/E26 spare-parts)	1

(Battery pack 24V/12Ah e-fix E25/E26 spare-parts)

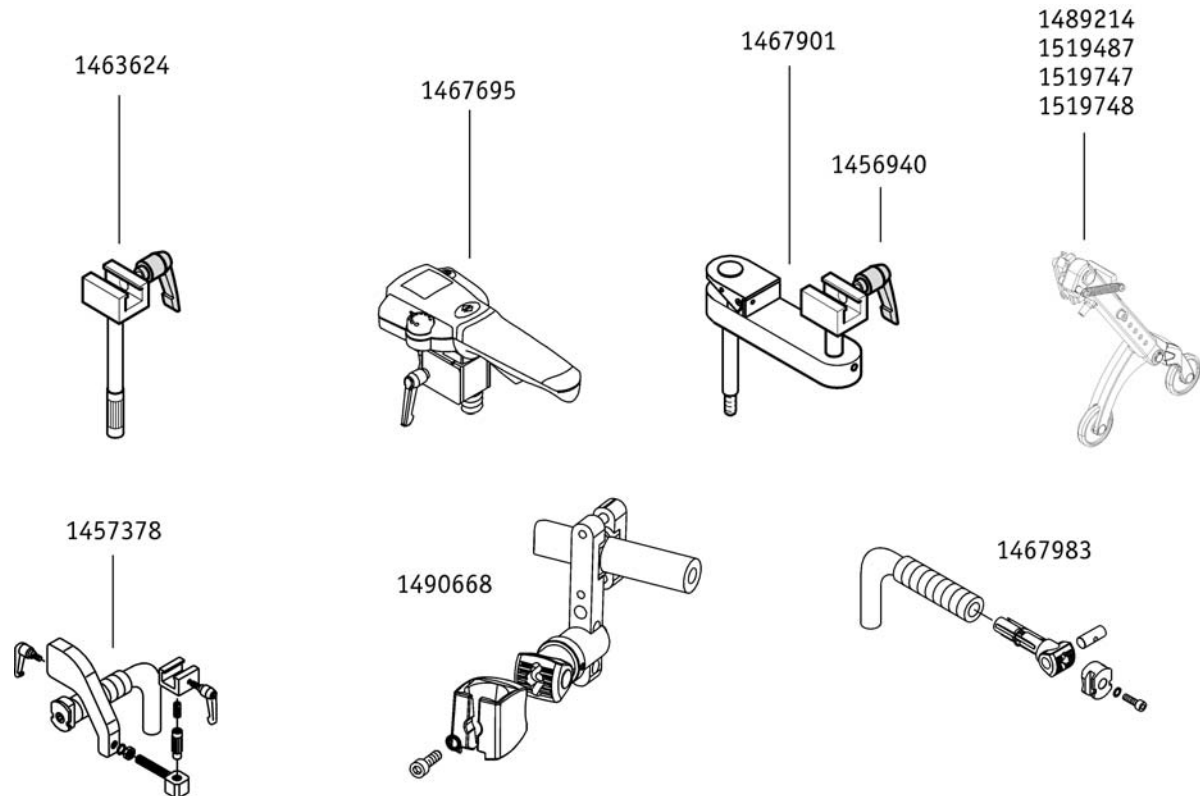


1456522	BESKYTTELSE SKUM BATTERIVIAMOBIL <i>replaces 1456357</i>	1
1467469	(Cable L+ for 12Ah battery)	1
1466990	(Screw Remform 4 x 30 WN)	1
1467469	(Cable L+ for 12Ah battery)	1
1467394	(Fuse holder e-fix E25/E26)	1
1489261	(Housing set with cable harness for battery 12Ah complete)	1
1459547	(Cable for battery 12Ah)	1
1467388	(Fuse cover e-fix E25/E26)	1
1456613	SKUMGUMMI EFIX	1
1467937	(Cable harness for battery 12Ah e-fix E25/E26 complete) <i>replaces 1467449+1467449</i>	1
1467457	(Socket holder e-fix E25/E26)	1
1456391	SIKRING 25A FLAT E20E-FIX	1
1456913	BATTERI VIAMOBIL/E-FIX12V 12Ah.	1
1467418	(Membrane e-fix E25/E26)	1
1467515	(Wiring diagram for battery e-fix E25/E26)	1
1467426	(Damping element for e-fix E25/E26)	1
1456392	SIKRING 3A FLAT E20E-FIX	1
1490205	(Housing front + back cover for battery 12Ah e-fix) <i>replaces 1467458+1467459</i>	1

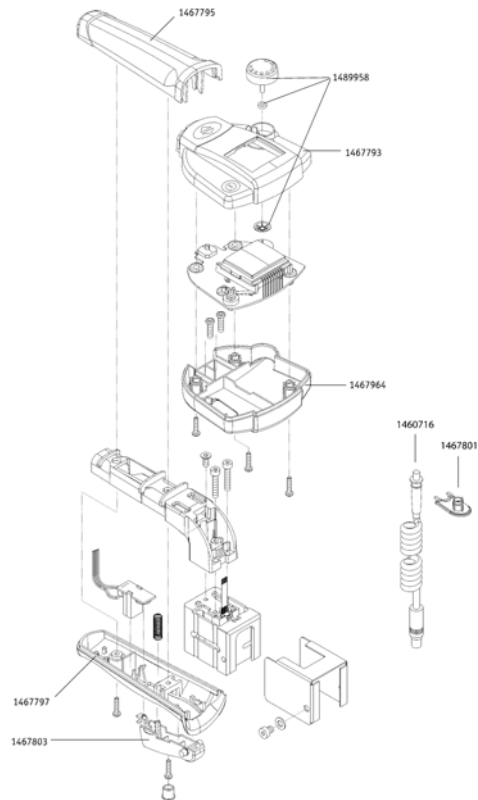
(Battery pack 24V/17Ah e-fix E25/E26 spare-parts)

1467474	(Cable for battery 17/22Ah) <i>replaces 1456360</i>	1
1456392	SIKRING 3A FLAT E20E-FIX	1
1467388	(Fuse cover e-fix E25/E26)	1
1490770	BATTERI 17AH 12V E-FIXE 20	1
1467473	(Cable L+ for battery 17/22Ah)	1
1467515	(Wiring diagram for battery e-fix E25/E26)	1
1466990	(Screw Remform 4 x 30 WN)	1
1467469	(Cable L+ for 12Ah battery)	1
1456613	SKUMGUMMI EFIX	1
1467395	(Fuse holder e-fix E25/E26)	1
1456391	SIKRING 25A FLAT E20E-FIX	1
1467938	(Cable harness for battery 17/22Ah complete)	1
1467457	(Socket holder e-fix E25/E26)	1
1467418	(Membrane e-fix E25/E26)	1
1489262	(Housing set with cable harness for battery 17/22Ah)	1
1467481	(Damping element for e-fix E25/E26)	1
1456612	SKUM STOPPER STOR EFIX	1
1490285	(Housing front + back cover for battery 17/22Ah) <i>replaces 1467460+1467461</i>	1

(Accessories)

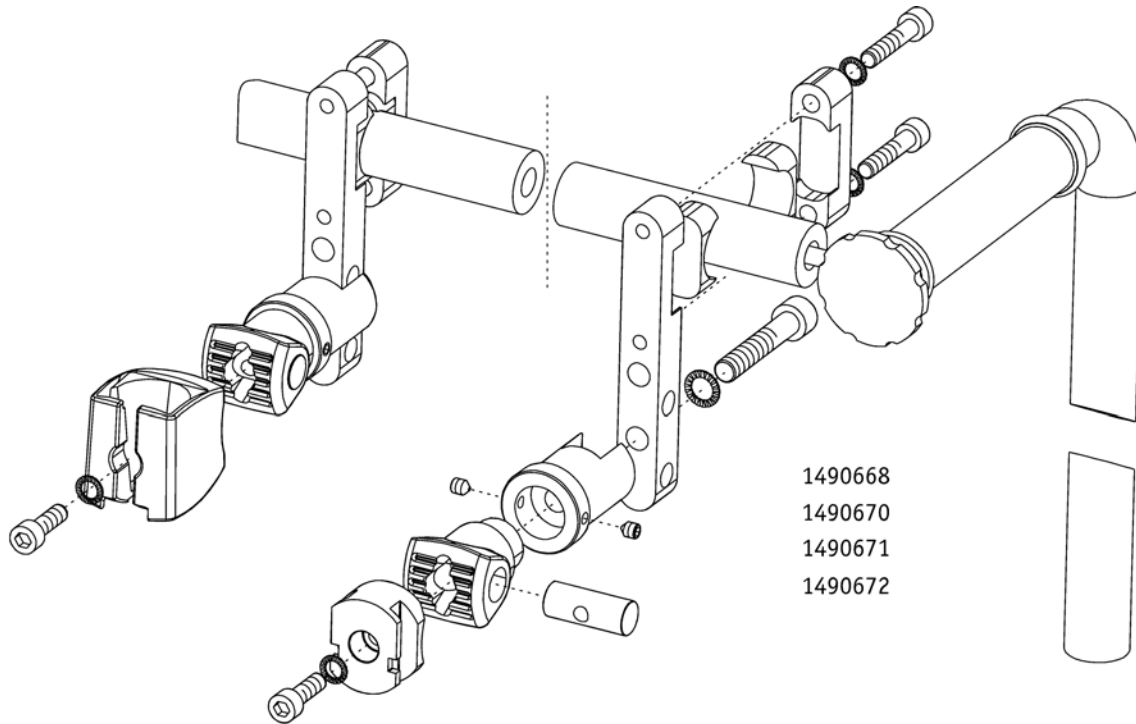


1467983	(Bracket intuitive attendant control for tube Profil 18,5 x 12,5mm)	1
1463624	STYREBOKSFESTE FAST KPLE25 E-FIX	1
1467695	LEDSAGERSTYR.INTELLIGENTE25/26.UTEN 1467804	1
1519748	(anti-tippers without jack-up function 15mm)	1
1456940	(Bracket for swivel arm)	1
1519747	(anti-tippers without jack-up function 12mm)	1
1457378	(Bracket for attendant control right for push handle Profil 18,5 x 12,5mm)	1
1490668	(Bracket intuitive attendant control (pair) Ø19mm for marginal mount)	1
1467901	(Swivel arm for control unit e-fix E25/E26)	1
1489214	(Anti-tippers with jack-up function (pair))	1
-	(Intuitive attendant control for e-fix spare-parts)	1
-	(Bracket intuitive attendant control for tube Profil 18,5 x 12,5mm)	1
-	(Bracket for attendant control right for push handle Profil 18,5 x 12,5mm)	1
-	(Swivel arm for control unit e-fix E25/E26 spare-parts)	1
-	(Bracket for swivel arm)	1
-	(Bracket intuitive attendant control (pair) Ø19mm for marginal mount)	1
-	(Holder control unit for attachment to the wheelchair)	1
-	(anti-tippers without jack-up function spare-parts)	1
-	(Anti-tippers with jack-up function Ersatzteile)	1

(Intuitive attendant control for e-fix spare-parts)

1460716	SPIRAL KABEL VIAMOBV15	1
1467793	(Housing attendant control E25/E26 display part)	1
1467795	GREP TIL VIAMOBIL	1
1467797	(Housing handle lower part V25/E25/E26)	1
1467801	(Service door)	1
1467803	(Throttle Control Unit V25/E25/E26)	1
1467964	(Housing Control Unit handle lower part E25/E26)	1
1489958	(Adjusting wheel for control unit e-fix E25/E26 complete)	1

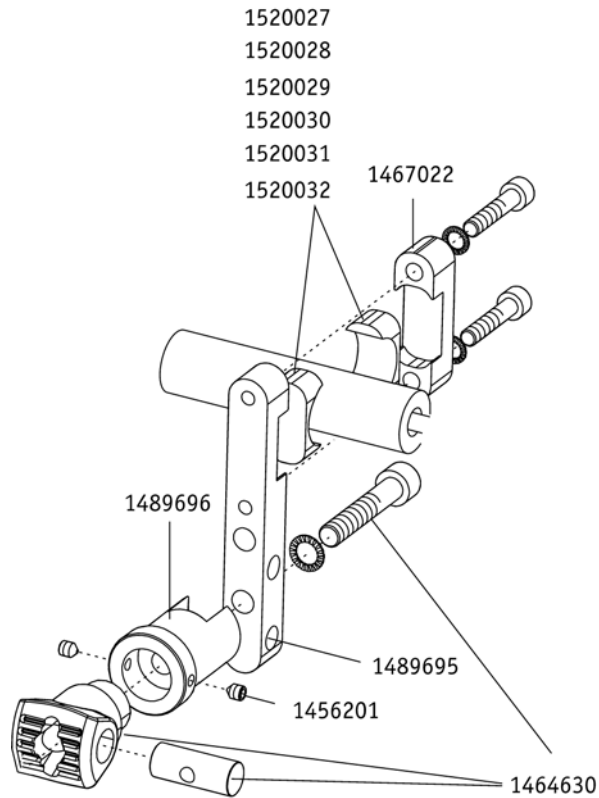
(Bracket intuitive attendant control (pair) Ø19mm for marginal mount)



1490668
1490670
1490671
1490672

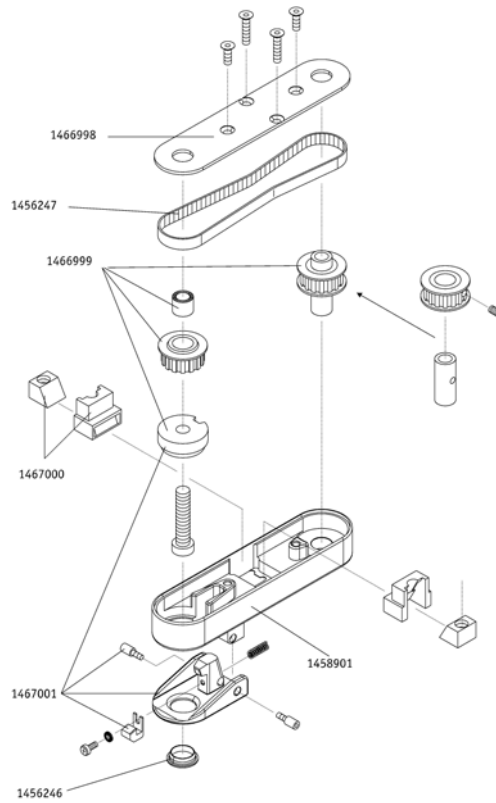
-	(Bracket intuitive attendant control (pair) Ø19mm for marginal mount spare parts)	
1490668	(Bracket intuitive attendant control (pair) Ø19mm for marginal mount)	1
1490670	BRAKETT INTUITIV LEDSA GEKJØREBØYLE 22MM	1
1490671	(Bracket intuitive attendant control (pair) Ø23mm for marginal mount)	1
1490672	(Bracket intuitive attendant control (pair) Ø25mm for marginal mount)	1

(Bracket intuitive attendant control (pair) Ø19mm for marginal mount spare parts)

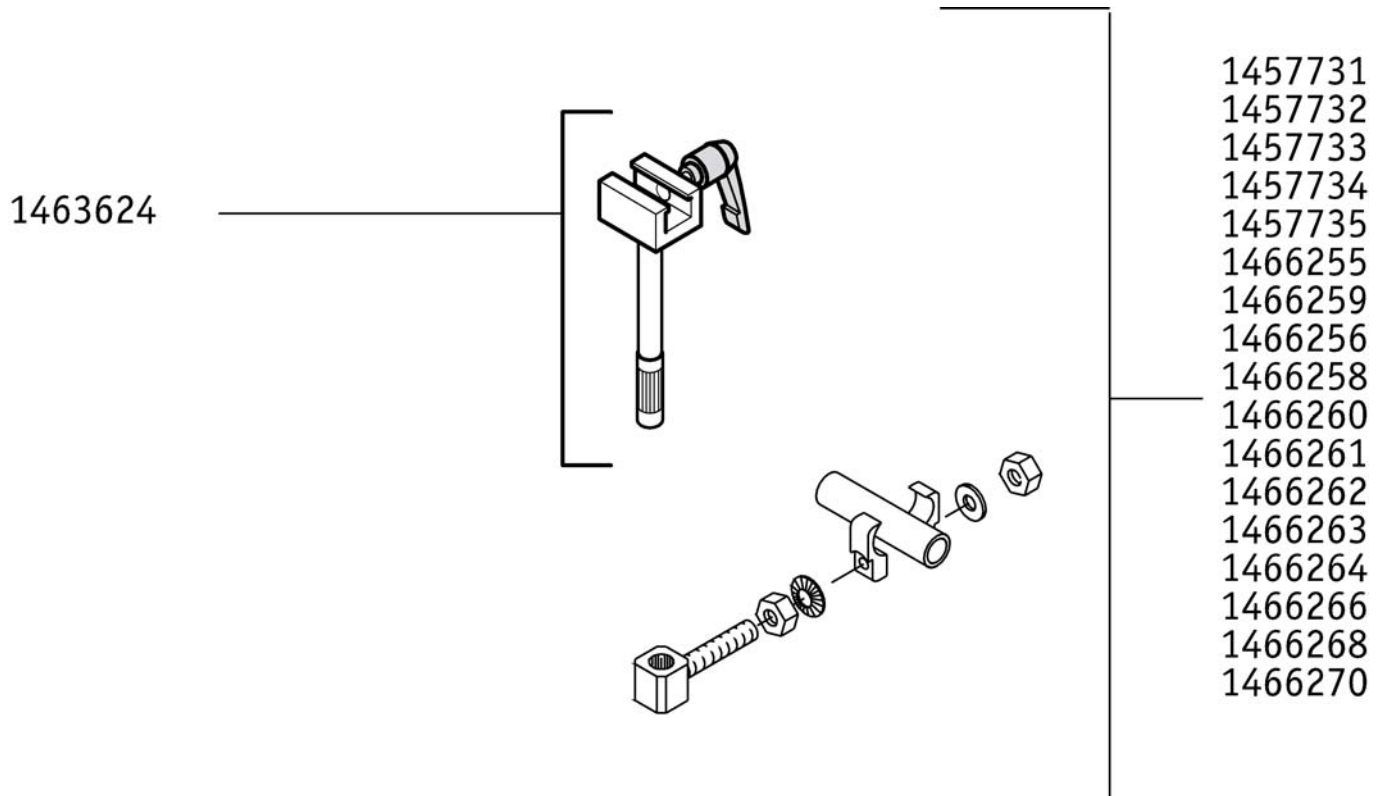


1456201	(Threaded pin ISO4027 M 5 x 6)	1
1464630	(Tube adapter for control unit complete)	1
1520027	(Inlet profile 22mm)	1
1520028	(Inlet profile 23mm)	1
1520029	(Inlet profile 25mm)	1
1520030	(Inlet profile 30mm)	1
1520031	(Inlet profile 19mm)	1
1520032	(Inlet profile prism)	1
1467022	(Clamp colourless anodized)	1
1467032	(Inlet profile 19mm)	1
1489695	(Holder for control unit colourless anodized)	1
1489696	(Adapter for control unit fixation)	1

(Swivel arm for control unit e-fix E25/E26 spare-parts)

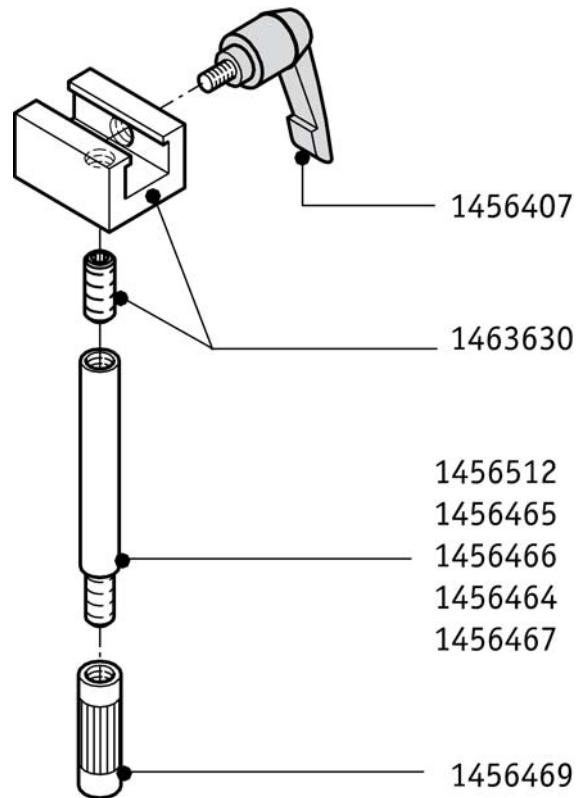


1456246	(Plug D 18mm for swivel arm)	1
1456247	(Toothed belt for swivel arm)	1
1458901	(Housing for swivel arm for e-fix)	1
1466998	(Covering plate for swivel arm)	1
1466999	(Belt washer for swivel arm complete)	1
1467000	(Clamping mechanism for swivel arm complete)	1
1467001	(Control plate for swivel arm complete)	1

(Holder control unit for attachment to the wheelchair)

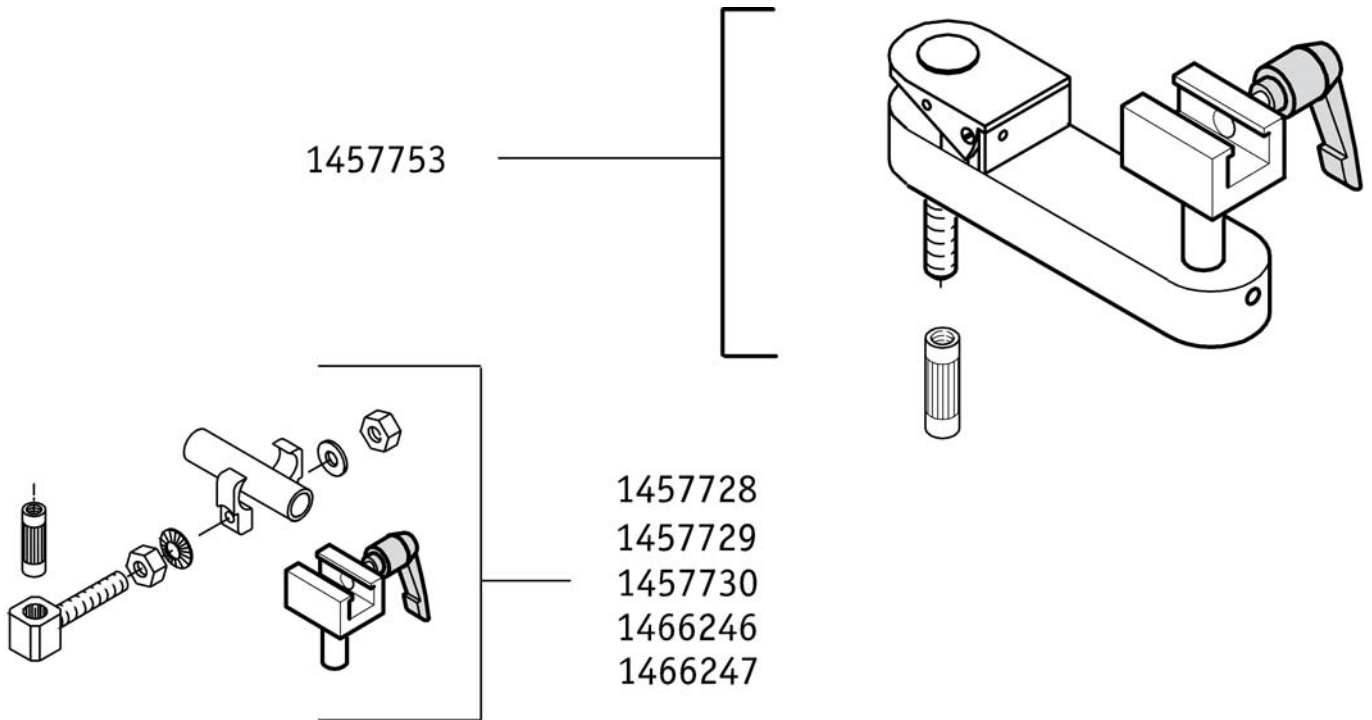
-	(Holder control unit for attachment to the wheelchair spare parts)	
1457731	(Bracket for control unit Ø18mm mounted on armrest tube without swivel arm)	1
1457732	(Bracket for control unit Ø21mm mounted on armrest tube without swivel arm)	1
1457733	(Bracket for control unit Ø20mm mounted on frame tube without swivel arm)	1
1457734	FESTE PÅ STYREBOKSE-FIX Ø22MM	1
1457735	FESTE FOR STYREBOKSE-FIX PÅ COMPACT/IMPERA	1
1466253	(Bracket for control unit e-fix without swivel arm connection mounted on wheelchair armrest tube Ø 17mm)	1
1466255	(Bracket for control unit e-fix without swivel arm connection mounted on wheelchair armrest tube Ø 19mm)	1
1466256	(Bracket for control unit e-fix without swivel arm connection mounted on wheelchair armrest tube Ø 20mm)	1
1466258	FESTEBRAKETT FOR ARMLENQUICKIE LIFE E-FIX	1
1466259	(Bracket for control unit e-fix without swivel arm connection mounted on wheelchair armrest tube Ø 23mm)	1
1466260	(Bracket for control unit e-fix without swivel arm connection mounted on wheelchair armrest tube Ø 24mm)	1
1466261	(Bracket for control unit e-fix without swivel arm connection mounted on wheelchair armrest tube Ø 25mm)	1
1466262	(Bracket for control unit e-fix without swivel arm connection mounted on wheelchair frame tube Ø 17mm)	1
1466263	BRACKETT UTEN SWING AWAYFESTE PÅ ARMLEN E-FIX	1
1466264	(Bracket for control unit e-fix without swivel arm connection mounted on wheelchair frame tube Ø 19mm)	1
1466266	(Bracket for control unit e-fix without swivel arm connection mounted on wheelchair frame tube Ø 21mm)	1
1466268	(Bracket for control unit e-fix without swivel arm connection mounted on wheelchair frame tube Ø 23mm)	1
1466270	(Bracket for control unit e-fix without swivel arm connection mounted on wheelchair frame tube Ø 25mm)	1

(Holder control unit for attachment to the wheelchair spare parts)



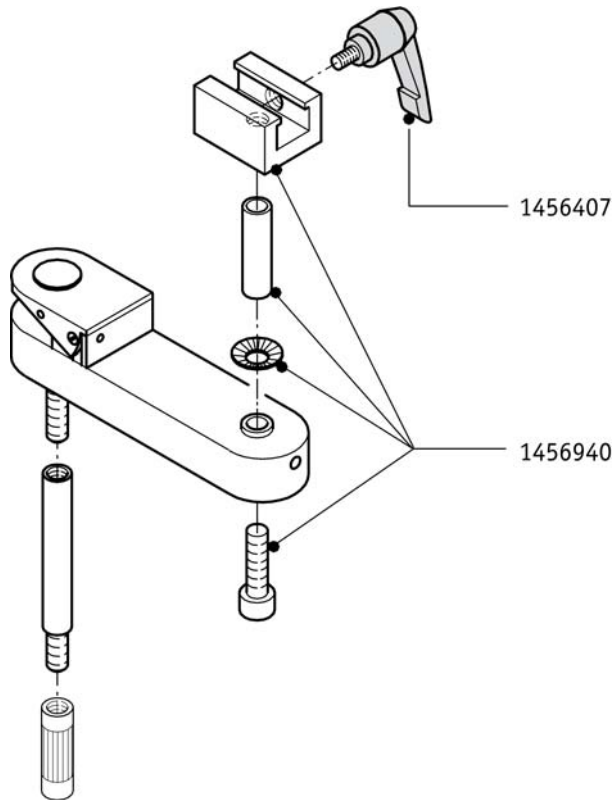
1456407	(Clamping lever with outer thread M 6 x 10)	1
1456464	HYLSE 80MM E-FIX	1
1456465	HYLSE 50MM E-FIX	1
1456466	HYLSE 70MM E-FIX	1
1456467	HYLSE 100MM E-FIX	1
1456469	GLIDER MESSING E-FIX	1
1456512	HYLSE 25MM E-FIX	1
1463624	STYREBOKSFESTE FAST KPLE25 E-FIX	1
1463630	GLIDEDEL STYREBOKSE FIX	1

(Bracket for swivel arm)



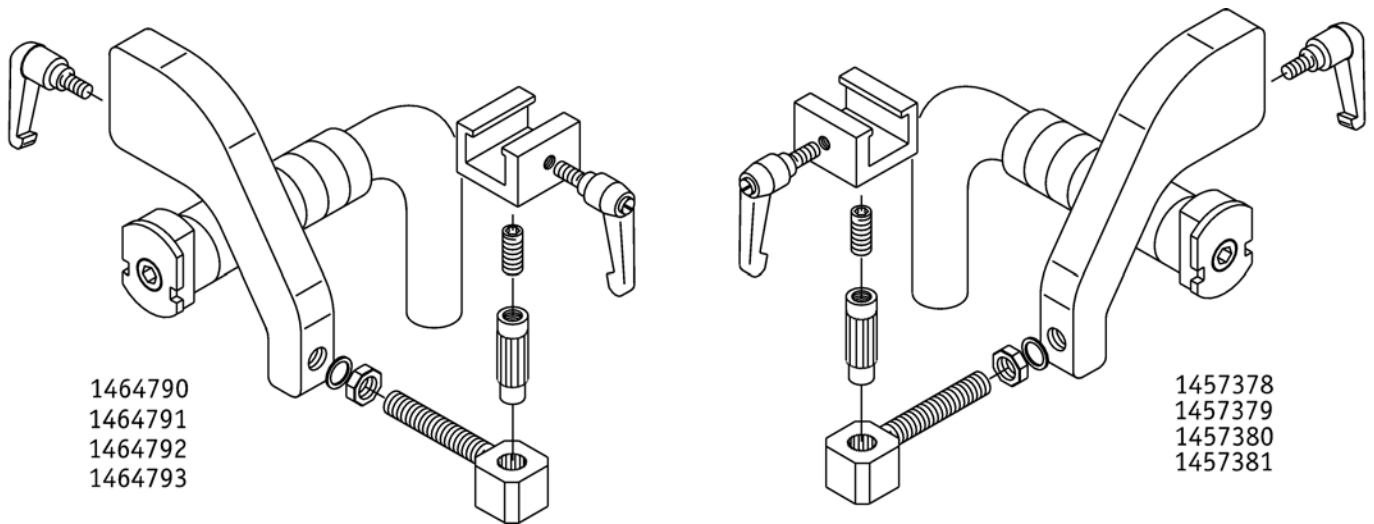
-	(Bracket for swivel arm spare parts)	1
1457728	(Bracket for control unit Ø21mm mounted on frame tube with swivel arm)	1
1457729	(Bracket for control unit Ø22mm mounted on frame tube with swivel arm)	1
1457730	HOLDER FOR SWINGAWAYIMPERA	1
1457753	SWING AWAY UTEN FESTE-FIX	1
1466246	(Bracket for control unit e-fix with swivel arm connection mounted on wheelchair frame tube)	1
1466247	(Bracket for control unit e-fix with swivel arm connection mounted on wheelchair frame tube)	1

(Bracket for swivel arm spare parts)



1456407	(Clamping lever with outer thread M 6 x 10)	1
1456940	(Bracket for swivel arm)	1

(Bracket for attendant control right for push handle Profil 18,5 x 12,5mm)

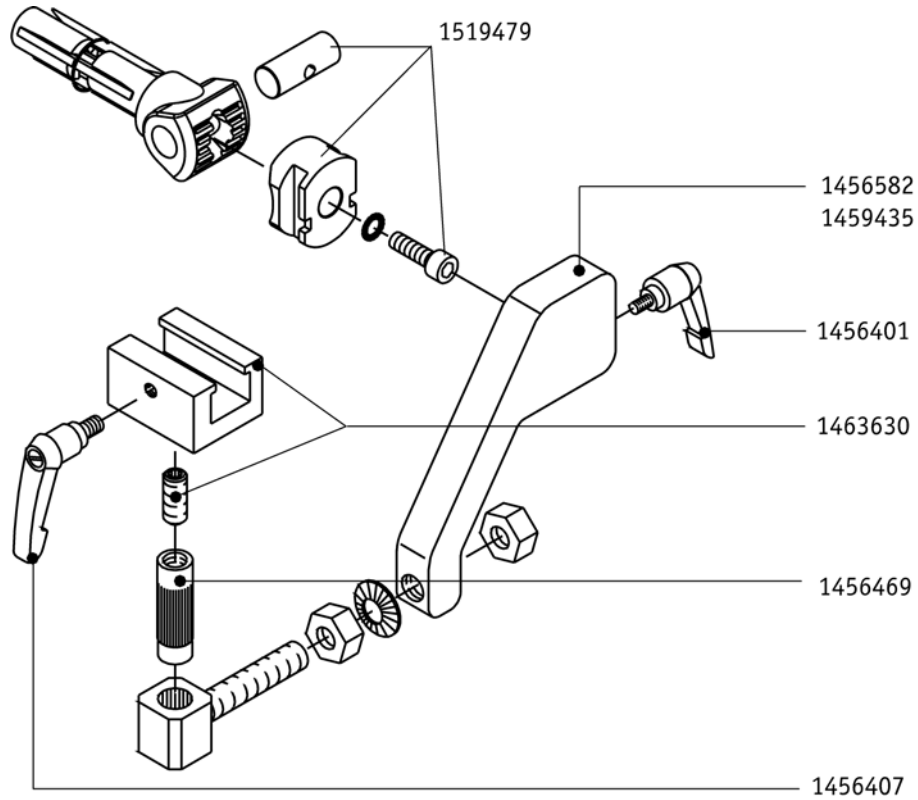


1464790
1464791
1464792
1464793

1457378
1457379
1457380
1457381

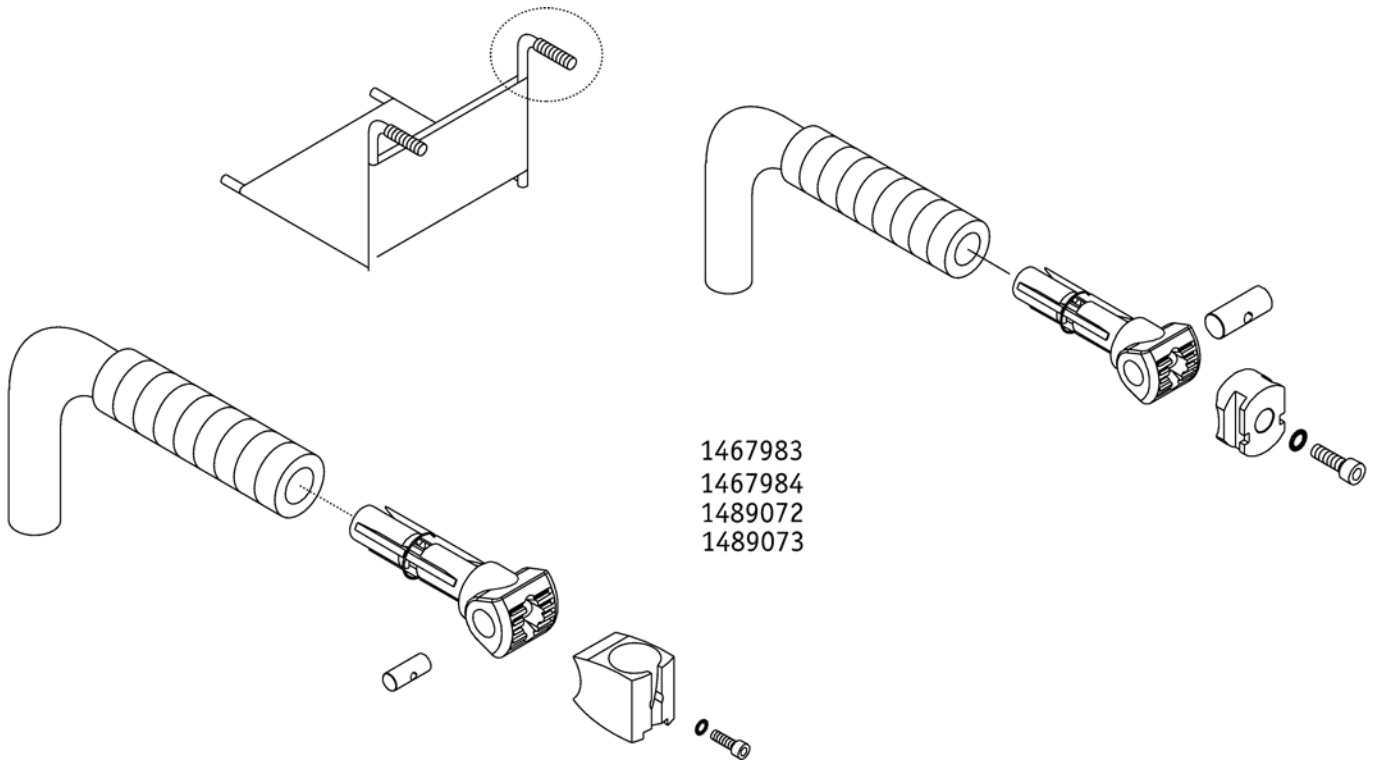
-	(Bracket for attendant control right for push handle Profil 18,5 x 12,5mm spare parts)	
1457378	(Bracket for attendant control right for push handle Profil 18,5 x 12,5mm)	1
1457379	(Bracket for attendant control right for push handle Profil 12,5 x 8,5mm)	1
1457380	FESTER LEDSAGERSTYRINGINTUITIV QUICKIE TS	1
1457381	FESTE LEDSAGER INTUITIVIMPERA E-FIX	1
1464790	(Bracket for attendant control e-fix left Fixation Profil 18,5 x 12,5mm)	1
1464791	(Bracket for attendant control e-fix left Fixation Profil 12,5 x 8,5mm)	1
1464792	(Bracket for attendant control e-fix left Fixation round D 11-15mm)	1
1464793	FESTE LEDSAGERS INTUITIVVE IMPERA E-FIX	1

(Bracket for attendant control right for push handle Profil 18,5 x 12,5mm spare parts)



1456401	(Clamping lever with outer thread M 5 x 10)	1
1456407	(Clamping lever with outer thread M 6 x 10)	1
1456469	GLIDER MESSING E-FIX	1
1456582	(Fixation for attendant control right)	1
1459435	(Fixation for attendant control left)	1
1463630	GLIDEDEL STYREBOKSE FIX	1
1519479	(Sliding adapter complete)	1

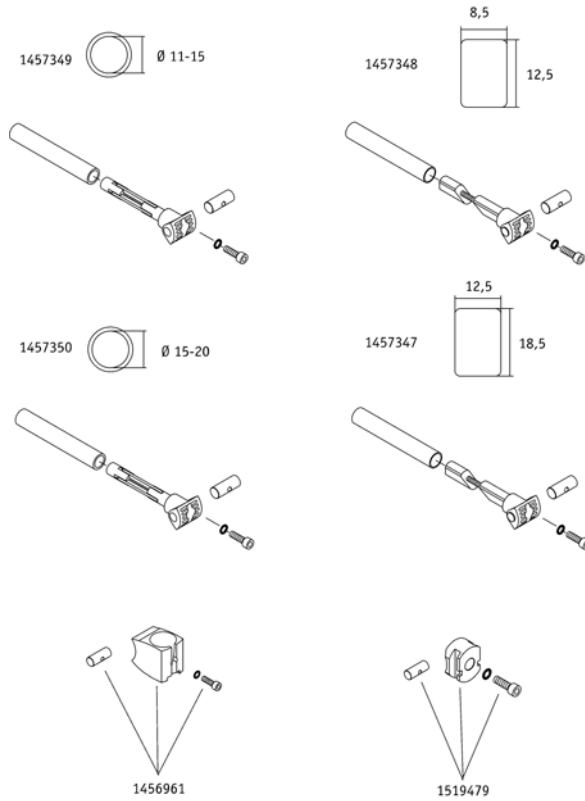
(Bracket intuitive attendant control for tube Profil 18,5 x 12,5mm)



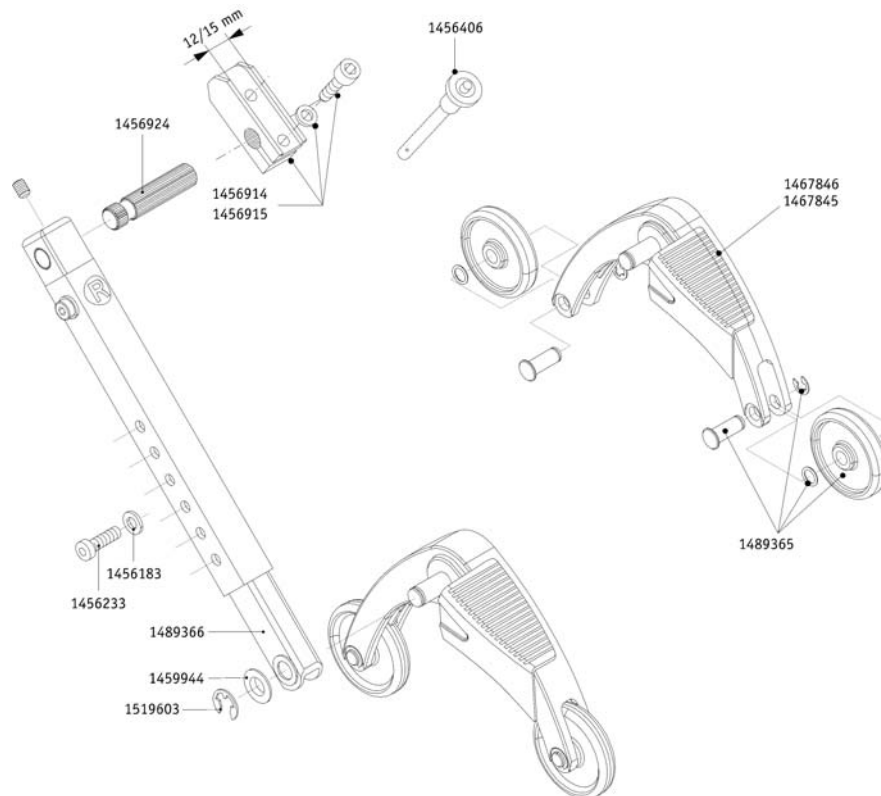
1467983
1467984
1489072
1489073

-	(Bracket intuitive attendant control for tube Profil 18,5 x 12,5mm spare parts)	
1467983	(Bracket intuitive attendant control for tube Profil 18,5 x 12,5mm)	1
1467984	(Bracket intuitive attendant control for tube Profil 12,5 x 8,5mm)	1
1489072	FESTE STYREB VIAMOBILE25/26 11-15MM RØR	1
1489073	FESTE LEDSAGER INTELLIGEE25/26 15-20MM RØR	1

(Bracket intuitive attendant control for tube Profil 18,5 x 12,5mm spare parts)

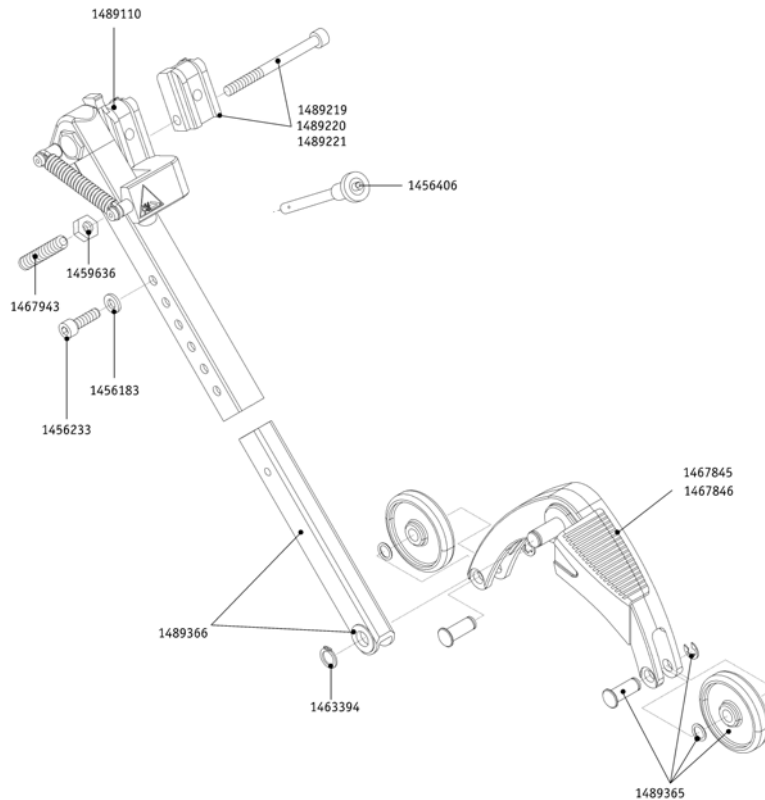


1456961	FESTE FOR HÅNDTAK V15VIAMOBIL V15	1
1457347	FESTE STYREBOKS & EKSTRAHÅNDTAK VIAMOBIL 18,5	1
1457348	FESTE STYREBOKS & EKSTRAHÅNDTAK VIAMOBIL 12,5	1
1457349	FESTE STYREBOKS & EKSTRAHÅNDTAK VIAMOBIL 11-15mm	1
1457350	FESTE STYREBOKS & EKSTRAHÅNDTAK VIAMOBIL 15-20mm	1
1519479	(Sliding adapter complete)	1

(anti-tippers without jack-up function spare-parts)

1456183	(Washer DIN 125 - A 6,4)	1
1456233	SKRUE TIPPESIKRING DIN7984 M 6 x 20	1
1456406	HURTIGKOBLINGSBOLT 33MMALBER	1
1456914	FESTESKO 12MM TIPPESIKRALBER	1
1456915	FESTESKO 15MM TIPPESIKRALBER	1
1456924	KOBLINGSPINNE ANTI-TIPPEE-MOTION E15/E20	1
1459944	(Washer DIN 988 - 10 x 16 x 1)	1
1467845	(Support angle right for anti-tippers)	1
1467846	(Support angle left for anti-tippers)	1
1489365	HJUL TIL TIPPESIKRINGM/JACK UP FUNKSJON	1
1489366	(Slide rod anti-tippers)	1
1519603	(Securing disk DIN 6799-Gr.8 vz)	1

(Anti-tippers with jack-up function Ersatzteile)



1456183	(Washer DIN 125 - A 6,4)	1
1456233	SKRUE TIPPESIKRING DIN7984 M 6 x 20	1
1456406	HURTIGKOBLINGSBOLT 33MMALBER	1
1459636	(Hexagon nut ISO 4032 - M8 vz)	1
1463394	(Locking ring DIN 471 - 10 x 1 - A2)	1
1467845	(Support angle right for anti-tippers)	1
1467846	(Support angle left for anti-tippers)	1
1467943	(Threaded pin M 8 x 45 DIN 913 - 45 H)	1
1489110	(Clamping piece for adapter)	1
1489219	ADAPTER TIPPESIKRINGJACK UP 15MM	1
1489220	ADAPTER TIPPESIKRINGJACK UP 15MM BRED	1
1489221	ADAPTER TIPPESIKRING JACK UP 12MM BRED	1
1489365	HJUL TIL TIPPESIKRINGM/JACK UP FUNKSJON	1
1489366	(Slide rod anti-tippers)	1



Yes, you can.®



Belgium & Luxemburg:

Invacare nv, Autobaan 22, B-8210 Loppem
Tel: (32) (0)50 83 10 10, Fax: (32) (0)50 83 10 11
belgium@invacare.com / www.invacare.be

Denmark:

Invacare A/S, Sdr. Ringvej 37, DK-2605 Brøndby
Tel: (45) (0)36 90 00 00, Fax: (45) (0)36 90 00 01
denmark@invacare.com / www.invacare.dk

Deutschland:

Invacare Aquatec GmbH, Alemannenstraße 10, D-88316 Isny
Tel: (49) (0)75 62 7 00 0, Fax: (49) (0)75 62 7 00 66
info@invacare-aquatec.com / www.invacare-aquatec.de

European Distributor Organisation:

Invacare, Kleiststraße 49, D-32457 Porta Westfalica
Tel: (49) (0)57 31 754 540, Fax: (49) (0)57 31 754 541
edo@invacare.com / www.invacare.eu.com

España:

Invacare SA, c/Areny s/n, Polígon Industrial de Celrà, E-17460 Celrà (Girona)
Tel: (34) (0)972 49 32 00, Fax: (34) (0)972 49 32 20
contactsp@invacare.com / www.invacare.es

France:

Invacare Poirier SAS, Route de St Roch, F-37230 Fondettes
Tel: (33) (0)2 47 62 64 66, Fax: (33) (0)2 47 42 12 24
contactfr@invacare.com / www.invacare.fr

Ireland:

Invacare Ireland Ltd, Unit 5 Seatown Business Campus, Seatown Road, Swords, County Dublin - Ireland
Tel: (353) 1 810 7084, Fax: (353) 1 810 7085
ireland@invacare.com / www.invacare.ie

Italia:

Invacare Mecc San s.r.l., Via dei Pini 62, I-36016 Thiene (VI)
Tel: (39) 0445 38 00 59, Fax: (39) 0445 38 00 34
italia@invacare.com / www.invacare.it

Nederland:

Invacare BV, Celsiusstraat 46, NL-6716 BZ Ede
Tel: (31) (0)318 695 757, Fax: (31) (0)318 695 758
nederland@invacare.com, csede@invacare.com / www.invacare.nl

Norge:

Invacare AS, Grensesvingen 9, Postboks 6230, Etterstad, N-0603 Oslo
Tel: (47) (0)22 57 95 00, Fax: (47) (0)22 57 95 01
norway@invacare.com, island@invacare.com / www.invacare.no

Österreich:

Invacare Austria GmbH, Herzog Odilostrasse 101, A-5310 Mondsee
Tel: (43) 6232 5535 0, Fax: (43) 6232 5535 4
info-austria@invacare.com / www.invacare.at

Portugal:

Invacare Lda, Rua Estrada Velha, 949, P-4465-784 Leça do Balio
Tel: (351) (0)225 1059 46/47, Fax: (351) (0)225 1057 39
portugal@invacare.com / www.invacare.pt

Sverige & Suomi:

Invacare AB, Fagerstagatan 9, S-163 91 Spånga
Tel: (46) (0)8 761 70 90, Fax: (46) (0)8 761 81 08
sweden@invacare.com, finland@invacare.com / www.invacare.se

Switzerland:

Invacare AG, Benkenstrasse 260, CH-4108 Witterswil
Tel: (41) (0)61 487 70 80, Fax: (41) (0)61 487 70 81
switzerland@invacare.com / www.invacare.ch

United Kingdom:

Invacare Limited, Pencoed Technology Park, Pencoed, Bridgend CF35 5AQ
Switchboard Tel: (44) (0)1656 776200, Fax: (44) (0)1656 776201
Customer services Tel: (44) (0)1656 776222, Fax: (44) (0)1656 776220
uk@invacare.com / www.invacare.co.uk