

# Aquatec® ORCA / ORCA F / ORCA XL



en	Bath lift Service Manual .....	3
de	Badewannenlifter Servicehandbuch .....	13
fr	Élévateur de bain Manuel de maintenance .....	23
sv	Badkarslyft Service manual .....	33
nn	Badekarheis Servicehåndbok .....	43



PROVIDER: Keep this manual.  
The procedures in this manual MUST be performed by a qualified technician.

**AQUATEC®**



**Yes, you can.®**

©2021 Invacare® Corporation

All rights reserved. Republication, duplication or modification in whole or in part is prohibited without prior written permission from Invacare. Trademarks are identified by ™ and ®. All trademarks are owned by or licensed to Invacare Corporation or its subsidiaries unless otherwise noted.

---

## Contents

---

<b>1 General information</b> . . . . .	<b>4</b>
1.1 Safety advice . . . . .	4
1.2 Safety and fixation instructions . . . . .	4
<b>2 Product safety</b> . . . . .	<b>5</b>
2.1 Periodic checks . . . . .	5
2.1.1 Visual check . . . . .	5
2.1.2 Function check . . . . .	5
2.1.3 Checking electrical safety . . . . .	5
2.1.4 Check list . . . . .	5
2.2 Servicing . . . . .	5
<b>3 Reconditioning</b> . . . . .	<b>6</b>
3.1 Cleaning and disinfection . . . . .	6
<b>4 Repair</b> . . . . .	<b>7</b>
4.1 Spare parts . . . . .	7
4.2 Removing/fitting the backrest . . . . .	7
4.3 Removing/fitting the shear arms . . . . .	9
4.4 Removing/fitting the base plate . . . . .	10
4.5 Removing/fitting the side flaps . . . . .	12
4.6 Replacing the hand control . . . . .	12

# 1 General information

This service manual contains the technical information for maintaining product safety, reconditioning and repairing Aquatec® bath lifts.

## 1.1 Safety advice



### WARNING!

#### Danger of accident and severe injuries.

If a bath lift is faulty it can cause accidents and severe injuries. The product requires regular checks and servicing is required for this reason.



### IMPORTANT!

- The product must be cleaned, disinfected, the suction cups must be replaced and a check (see 2.1 *Periodic checks, page 5*) is required before re-use.
- Checks and servicing, reconditioning and repairs for bath lifts may only be carried out by authorized specialist dealers.

## 1.2 Safety and fixation instructions

These safety instructions are intended to help avoid accidents during work and must be observed under all circumstances.

All employees coming into contact with contaminated products must regularly consult a company doctor. Work clothing and personal protective equipment must be available in necessary quantities and be in proper condition. Reliable hand and surface disinfection must be ensured.

### Prior to all inspections or repairs

- Read this repair manual and the associated user manual carefully and follow the instructions.

## Personal safety equipment

### Safety shoes

The bath lift and some of its components are very heavy. If these parts are dropped, they can cause injury to the feet.

- Wear safety shoes at all times when working.

### General safety information and installation and removal information



### CAUTION!

#### Risk of crushing

Different components, such as the drive unit, seat, etc. are very heavy. They can therefore pose a risk of injury for the hands.

- Please note the heavy weight of certain components. This particularly applies to the removal of the drive unit, seat or backrest.



### CAUTION!

#### There is a risk of injury and risk of damage to the bath lift if service work is carried out incorrectly or incompletely

- Only use undamaged tools in good condition.
- After the conclusion of the work and before restarting the bath lift, check that all connections are secure.
- After the conclusion of the work and before restarting the bath lift, check that all parts are correctly engaged.
- When the work is complete, always carry out a trial run.

## 2 Product safety

### 2.1 Periodic checks



#### IMPORTANT!

The product requires regular checks to ensure product safety. The required intervals are to be observed.



#### WARNING!

- It is recommended to check the bath lift after 24 months at the latest (in accordance with EN ISO 10535) and the suction cups must be replaced.
- Check the electrical safety of the product in line with national requirements.

#### 2.1.1 Visual check

1. Check the seat plate, backrest plate and base plate for damage and ensure they are complete.
2. Check the shear arms and gliding shoes by lifting them and pushing them together again.
3. Check the bolts at the bearings of the seat plate/shear arms and base plate/shear arms.
4. Examine the hand control for any damage. Replace the hand control if the housing of the hand control is damaged or cracked.
5. Examine the plug-in charger for any damage.

#### 2.1.2 Function check

1. Use a voltmeter to check the charger for open-circuit voltage between 24 V and 26 V at the charging poles of the jack plug.
2. Check the function of the hand control by pressing the stop and directional button at the same time (the charge diode lights up). If the hand control is fully charged, the minimum number of lifts by the bath lift under maximum load must be achieved without recharging (ORCA, ORCA F: 5 lifts, ORCA XL: 4 lifts).
3. Raise and lower the bath lift under maximum load to check its functions and listen for any unusual noises.

#### 2.1.3 Checking electrical safety



#### IMPORTANT!

Regular electrical checks according to EN 62353 (VDE0751) must be carried out in line with national requirements.

1. Inspect the charger together with the hand control for damage to the casing or cable, test functions and check for stray current.
2. Check the drive for damage to the casing or cable.


#### 2.1.4 Check list

<b>General inspection</b>	☺	☹
Is the device in good condition and is it complete (device and accessories)?	<input type="checkbox"/>	<input type="checkbox"/>
Is the identification label easily readable and is it securely mounted on the product?	<input type="checkbox"/>	<input type="checkbox"/>
Have subsequent changes been made to the product?	<input type="checkbox"/>	<input type="checkbox"/>
Is the device free from damage or weaknesses of any kind? Does the device operate correctly under nominal load?	<input type="checkbox"/>	<input type="checkbox"/>
Is the device fully functional in accordance with the user manual? Is the product accompanied by a user manual?	<input type="checkbox"/>	<input type="checkbox"/>
Is all safety equipment working as intended?	<input type="checkbox"/>	<input type="checkbox"/>
Is the device electrically safe, where relevant?	<input type="checkbox"/>	<input type="checkbox"/>
Are all safety-related notices sufficiently legible? Is there an identification label and is this securely attached to the supporting surface?	<input type="checkbox"/>	<input type="checkbox"/>
<b>Eradication of faults</b>	☺	☹
Have all the faults found been eliminated and have faulty components been replaced?	<input type="checkbox"/>	<input type="checkbox"/>
Does the device now operate correctly?	<input type="checkbox"/>	<input type="checkbox"/>
Is all safety equipment now working as intended?	<input type="checkbox"/>	<input type="checkbox"/>
Are all the necessary safety-related notices now in place?	<input type="checkbox"/>	<input type="checkbox"/>
<b>Completion of checks</b>	☺	☹
Has the device been cleaned and disinfected?	<input type="checkbox"/>	<input type="checkbox"/>
Is the device technically and functionally safe?	<input type="checkbox"/>	<input type="checkbox"/>
Is the device electrically safe, where relevant?	<input type="checkbox"/>	<input type="checkbox"/>
Is the identification label easily readable and is it securely mounted on the product?	<input type="checkbox"/>	<input type="checkbox"/>
Has the device been packed correctly?	<input type="checkbox"/>	<input type="checkbox"/>

## 2.2 Servicing

If the cleaning and safety notices are observed, the product will be maintenance free.

### 3 Reconditioning

 When it comes to the reconditioning of Invacare® products, we always recommend using the InvaService option available from Invacare®. For further information please contact the Invacare® subsidiary in your country. Contact addresses are provided on the back of this service manual.

Before the conditioning decision is made, it should also be verified beyond a critical evaluation of objective feasibility that this is sensible from an economic and ecological perspective, taking into consideration the risk associated with the conditioning and use of the medical device and the expense and quality assurance, or whether it would be better to dispose of the medical device.

The reconditioning of the product encompasses the following points:

- 3.1 *Cleaning and disinfection, page 6*.
- 2.1 *Periodic checks, page 5*.
- 2.2 *Servicing, page 5*.

#### **IMPORTANT!**

- If possible, continue to use the old identification label; if this is not possible, the new identification label must contain the same information and the old serial number. (Replacement of spare parts with serial numbers).
- If screws with thread locker are loosened, these must be replaced with new ones.

#### 3.1 Cleaning and disinfection

Manual cleaning and disinfection procedures must always be conducted in accordance with documented work instructions and with means and processes checked for effectiveness and tailored to the medical device. For mechanical cleaning and disinfection procedures it can be procedurally ensured that the parameters necessary to attain quantifiable cleaning and disinfection performance are complied with. In order to guarantee the continuous quality of manual and/or mechanical conditioning procedures it must be proven by at least periodical checks that the procedure is still effective and no unintentional changes have arisen.

Conditioning ends with the documented approval for use of the medical device. The chain of actions must be optimized as weaknesses in one of the necessary individual steps threaten the overall success. Transport and storage must not have a negative impact on the characteristics of the conditioned medical device. During transportation, it must be ensured that contamination of a conditioned or

new medical device is precluded until its use by means of strict separation of clean/unclean devices.

All detergents and disinfectants used must be effective, compatible with one another and be gentle on the materials used. Relevant cleaning and disinfection baths must be regularly replaced at defined intervals in order to guarantee their effectiveness. With respect to contact time and concentration, the disinfectants used must comply with the list of disinfectants issued by 'The National Institute for Clinical Excellence' guidelines on Infection Control [www.nice.org.uk/CG139](http://www.nice.org.uk/CG139) and your local infection control policy.

Detergents and disinfectants must be selected in accordance with the equipment and facilities available in each instance in order to guarantee a reliable cleaning result.

Exchanged products and product components must be disposed of in accordance with their respective material composition.

#### Preparation for cleaning

1. Detach the backrest from the seat plate.
2. Cover electronic connections with protective caps to ensure that water cannot get in.

#### Cleaning

1. Remove any superficial contamination.
2. Treat all components of the bath lifter with detergent and rinse down with clean water.
3. Replace the covers or wash them in the washing machine at a maximum temperature of 60 °C.

#### **IMPORTANT!**

##### **Risk of damage**

- Washing at high temperatures can cause shrinkage.
- Do not dry covers in the tumble dryer.

4. Use a universal detergent to clean the hand control, covers and charger by hand.
5. Allow all components of the bath lifter to dry in the ambient air or dry off with hand towels.
6. Check the suction cups and suction caps and replace if necessary.

#### Disinfection

1. Disinfect the seat surface, the front of the backrest and the hand control by wiping them down with disinfectant.
2. Dry all components of the bath lifter in the ambient air or allow them to dry in the air until there is no more superficial moisture on the product.

## 4 Repair

Repairs require a high level of expertise. These assembly instructions therefore break down the various tasks into 3 categories:

Requirement	Symbol
Easy – technical understanding required	●○○
Medium – technical knowledge required	●●○
Difficult – technical knowledge and expertise in assembling bath lifts required	●●●

The required tools and their sizes are listed before the instructions.

Tool	Symbol
Phillips head screwdriver	⊕
Slot head screwdriver	⊖
Torx screwdriver	⊛
Snap ring pliers	⊗



### WARNING!

– To avoid the risk of contamination, clean and disinfect the bath lift before carrying out repairs.



### IMPORTANT!

- Repairs may only be carried out by an authorized dealer.
- If possible, continue to use the old identification label; if this is not possible, the new identification label must contain the same information and the old serial number. (Replacement of spare parts with serial numbers).
- When components are replaced it is necessary to ensure the traceability of the components replaced.
- If screws with thread locker are loosened, these must be replaced with new ones.
- If screws with circlip rings are loosened, these must be replaced with new ones.
- Parts that become damaged during removal must be replaced with new ones.

### 4.1 Spare parts



### WARNING!

Original spare parts must be used in all repairs. Otherwise the warranty and product declaration of conformity shall be rendered invalid.

All spare parts must be obtained from the Invacare customer service department. An electronic spare parts catalogue can be found at [www.invacare.co.uk](http://www.invacare.co.uk).

### 4.2 Removing/fitting the backrest

Difficulty: ●●○

Tool: ⊕, ⊛, ⊗

P-os.	Designation	Article number	Quantity
Ⓐ	Drive unit (ORCA) (ORCA F) (ORCA XL)	16782 1471060 1471062	1
Ⓑ	Tube clamp	16778	2 (before May 2015) 1 (from May 2015 onward)
Ⓒ	Female coupling for drive unit	16779	4 (before May 2015) 2 (from May 2015 onward)
Ⓓ	Washer	16780	4 (before May 2015) 2 (from May 2015 onward)
Ⓔ	Mounting screw	16781	4 (before May 2015) 2 (from May 2015 onward)
Ⓕ	Plug holder	16455	1
Ⓖ	Bolts	15348	2
Ⓗ	Circlip ring	16456	2
Ⓘ	Axle	16793	1
Ⓙ	Roller (ORCA/ORCA XL)	16450	1
Ⓚ	Circlip	15344	2
Ⓛ	Bolt left (ORCA/ORCA XL)	1470580	1
	Bolt right (ORCA/ORCA XL)	1470579	1
	Bolt left (ORCA F)	1471059	1
	Bolt right (ORCA F)	1471058	1
Ⓜ	Backrest	1563010	1

### Removing the backrest

1. Retract the spindle tube completely.
2. Fold the backrest forward, unhook it and place it on the worktop.

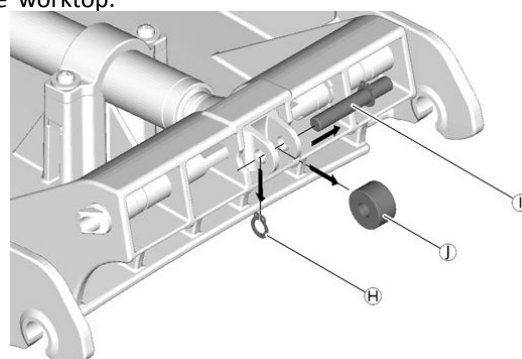


Fig. 4-1

3. Release one side of circlip ring Ⓗ with the circlip ring pliers from axle Ⓘ.
4. Push the axle through the opening in the spindle foot. ORCA / ORCA XL:

- Remove the roller from the spindle foot.

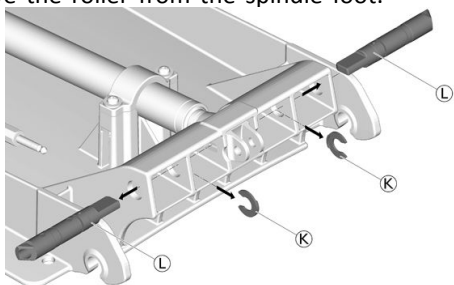


Fig. 4-2

- Use a screwdriver to remove circlip (K) from bolts (L) and remove both bolts from the backrest.  
ORCA F:
- Extend the drive until bolts (L) are completely pushed out. Use a screwdriver to remove circlip (K) from the bolts and remove the bolts from the backrest. Retract the drive mechanism again.  
For all versions:

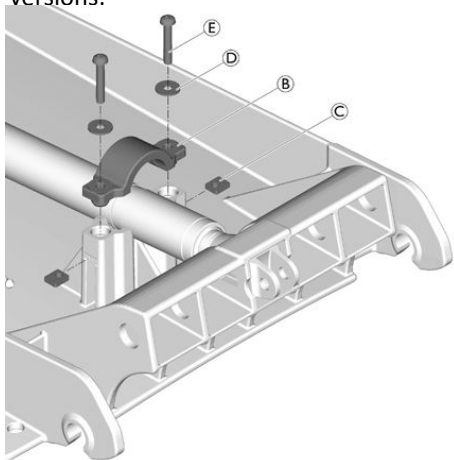


Fig. 4-3

- Loosen screws (E) with washers (D) from tube clamp (B) and remove the tube clamp.
- Remove female couplings (C).

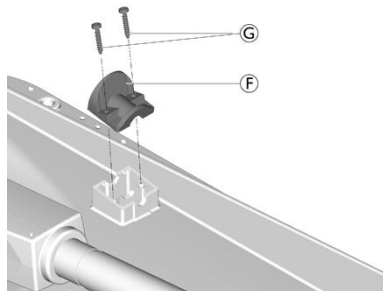


Fig. 4-4

- Loosen bolts (G) from plug holder (F) and remove the plug holder.

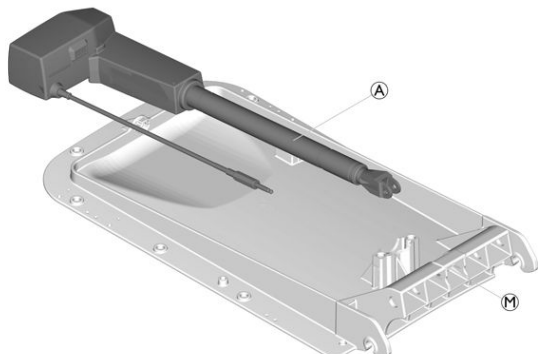
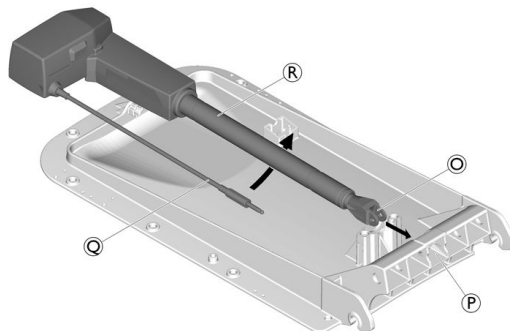


Fig. 4-5

- Slide drive unit (A) forward slightly out of the cross pin of the backrest, then lift the back slightly on the motor and draw it out of the groove in the backrest (M).
- Store the drive unit in a safe place.

### Fitting the backrest



- Place the drive unit on the backrest and slide it through the lower groove (P).

**IMPORTANT!**  
– Make sure that the curve of the spindle foot (O) faces upward.

- Feed cable (Q) under the drive tube (R).

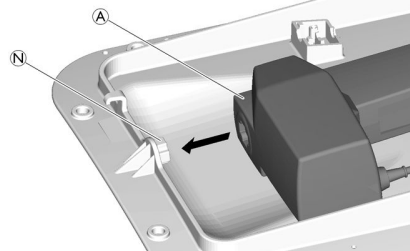


Fig. 4-6

- Insert the head end of drive unit (A) with the groove in cross pin (N) of the backrest.

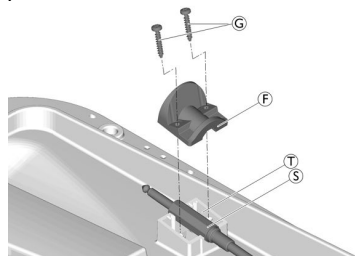


Fig. 4-7

- Position jack plug (S) in receiver (T) of the backrest.
- Place plug holder (F) on top and fix it in place with screws (G) (torque 1.5 Nm).



6. Align the spindle foot by turning the drive tube appropriately.

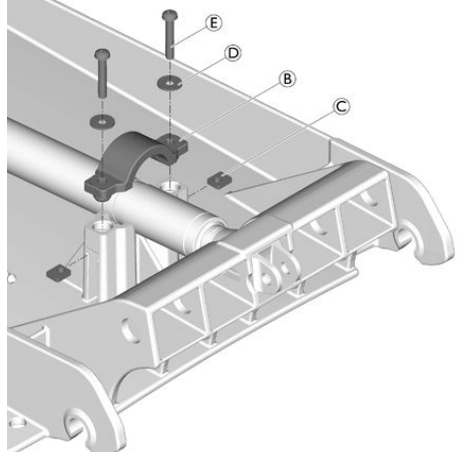


Fig. 4-8

7. Slide female coupling © into the side opening on both sides with the smooth side facing upward.  
 8. Place tube clamp ⑥ over the drive tube.

**i** Make sure that the raised surface of the tube clamp faces the upper end of the backrest.

9. Use screws ⑤ and washers ④ to fix the tube clamp (torque 4.2 Nm).  
 ORCA / ORCA XL:

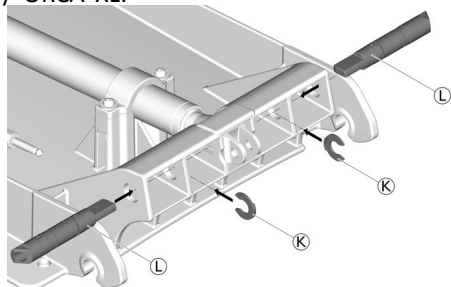


Fig. 4-9

10. Place the right and left bolts ① into the backrest and secure them with circlips ②.

**!** **IMPORTANT!**  
 – Make sure that the “R” or “L” on the bolts faces upward.  
 – Make sure that the flat sides of the circlips face outwards.

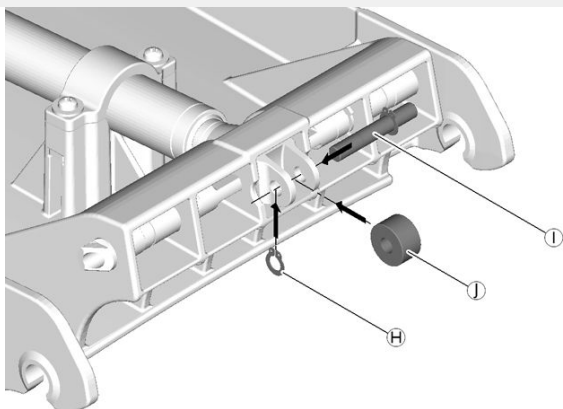


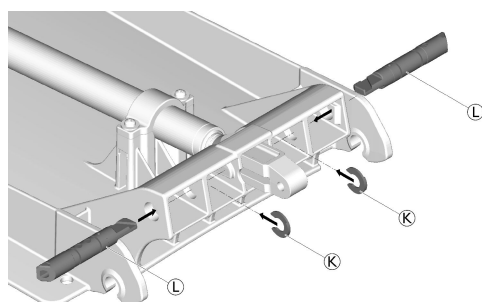
Fig. 4-10

11. Use a circlip ring pliers to fit one side of the circlip ring on the axle or use the existing axle ① with a fitted circlip ring.  
 12. Place roller ① in the groove of the spindle foot (ORCA / ORCA XL).

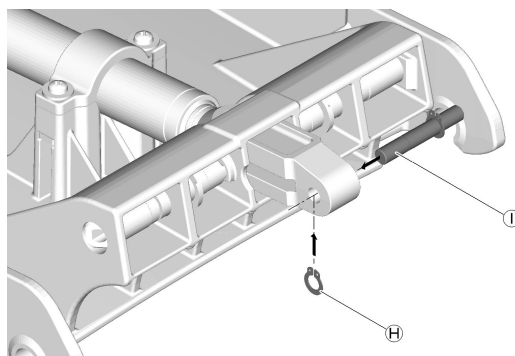
13. Slide the axle through the opening in the spindle foot and roller and secure with a second circlip ring ②.

**!** **IMPORTANT!**  
 – Ensure that the circlip ring engages correctly.

ORCA F:



14. Attach the hand control and extend the spindle foot 10 cm. Place the right and left bolts into the backrest and secure them with the circlips. The flat sides of the circlips face inward. Retract the spindle foot again. The bolts are drawn in again automatically.



15. Use a circlip ring pliers to fit one side of the circlip ring on the axle or use the existing axle ① with a fitted circlip ring.  
 16. Slide the axle through the opening in the spindle foot and secure with a second circlip ring ②.

**!** **IMPORTANT!**  
 – Ensure that the circlip ring engages correctly.

### 4.3 Removing/fitting the shear arms

Difficulty: ●●○

Tool: ●

Pos.	Designation	Article number	Quantity
①	Shear arms (ORCA / ORCA F) (ORCA XL)	16804 1471063	1
③	Bolt for the gliding shoe	15105	4
④	Gliding shoe	16446	4
⑤	Locking bolt (ORCA / ORCA F) Steel bolt (ORCA XL)	16679 1471088	4
⑥	Circlip (ORCA XL)	1471089	4



**WARNING!**  
**Risk of entrapment and crushing of the fingers and hands**

– Proceed with caution when carrying out any work in the area of the shear arms in connection with the lifting mechanism.



**IMPORTANT!**

- Replace the circlips ⑥ every time a repair is carried out.
- Replace the bolts ③ and locking bolts ⑤ every time a repair is carried out.

**Removal**

1. Retract the drive completely and remove the backrest support.
2. Press down on the red latch to deploy the shear arms.

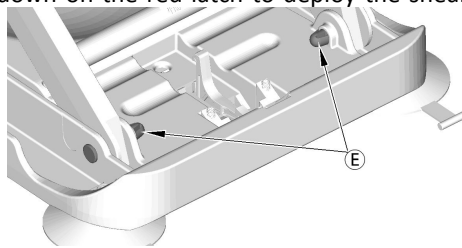
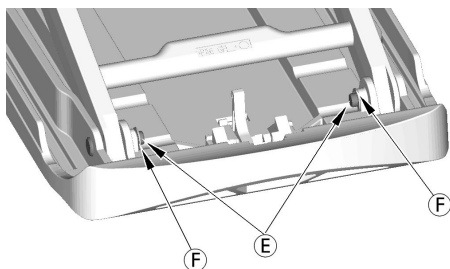


Fig. 4-11

3. Break off the pins on locking bolts ⑤ below from inside using a slot headed screwdriver, push out the bolts and remove them.



ORCA XL:  
 Remove the circlips ⑥ from the steel bolts ⑤, push out the steel bolts and remove them.

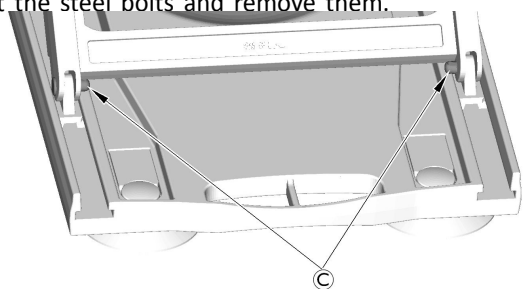


Fig. 4-12

4. Remove the base plate from the shear arms.

5. Break off the pins for gliding shoes ③ below from inside using a slot headed screwdriver, push out the bolts and remove them.

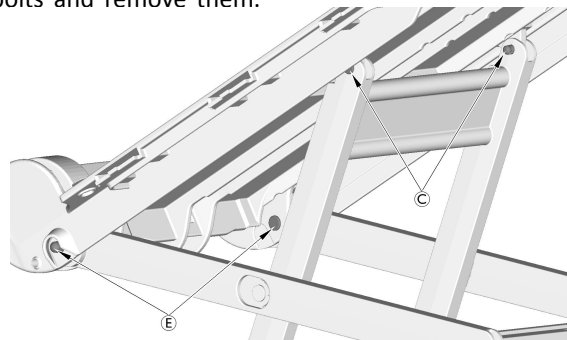
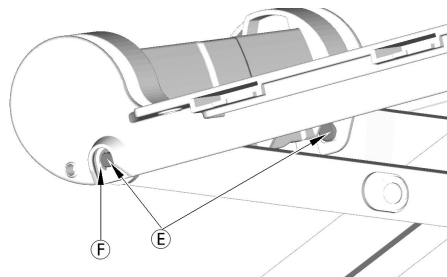


Fig. 4-13

6. Break off the pins for gliding shoes ③ above, which connect the front shear arms to the seat plate.
7. Break off the pins of locking bolts ⑤ above, which connect the rear shear arms to the seat plate, from outside using a slot headed screwdriver; push in the locking bolts and remove them.



ORCA XL:  
 Remove the circlips ⑥ from the steel bolts ⑤, push in the steel bolts and remove them.

**Fitting**

1. The shear arms are mounted on the seat plate and base plate in reverse order to disassembly.

**4.4 Removing/fitting the base plate**

Difficulty: ●○○

Tool: ●

Pos.	Designation	Article number	Quantity
	Base plate (ORCA) (ORCA XL / ORCA F)	1563011 1471054	1
Ⓐ	Bearing shell	16448	1
Ⓑ	Catch	16449	1
Ⓒ	Leaf spring	15415	1
Ⓓ	Right locking mechanism (ORCA / ORCA XL) (ORCA F)	16792 1471056	1
Ⓔ	Left locking mechanism (ORCA / ORCA XL) (ORCA F)	16791 1471057	1
Ⓕ	Compression spring for locking mechanism (ORCA / ORCA XL)	16794	2
Ⓖ	Two-tab suction cups (set)	15071	1

Pos.	Designation	Article number	Quantity
Ⓛ	Single-tab suction cups (set)	15072	1
Ⓚ	Suction cap, red	15121	2

### Removal

1. Place the base plate on the worktop with the underside facing upward.

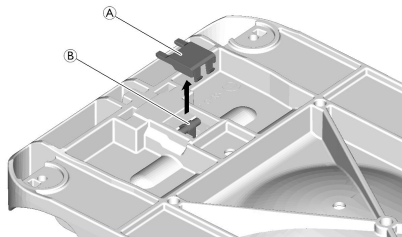


Fig. 4-14

2. Remove bearing shell Ⓐ.
3. Remove catch Ⓑ and the leaf spring from the base plate.

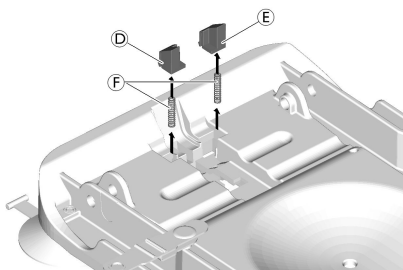


Fig. 4-15

4. Turn the base plate over.
5. Remove the right locking mechanism Ⓓ and left locking mechanism Ⓔ from the base plate.
6. Remove pressure springs Ⓕ.

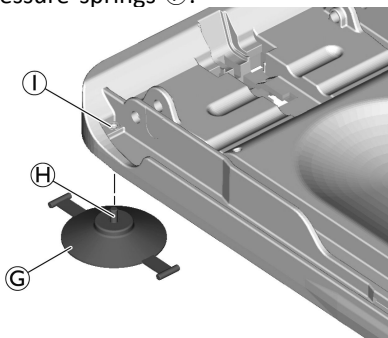


Fig. 4-16

7. Use screw Ⓕ to remove suction cup Ⓖ from threaded sleeve Ⓖ.

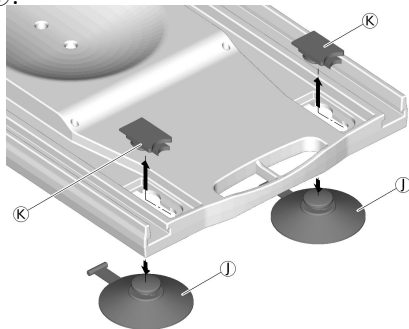


Fig. 4-17

8. Use a slot head screwdriver to remove the red suction caps Ⓚ.
9. Remove the single-tab suction cups Ⓛ.
10. Remove the old base plate.

### Fitting

1. Place the new base plate on the worktop.

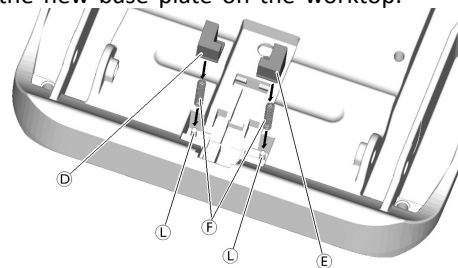


Fig. 4-18

2. Insert compression springs Ⓕ into the receivers Ⓖ of the base plate.
3. Press down the right locking mechanism Ⓓ and left locking mechanism Ⓔ together with the compression springs until they engage in the base plate.

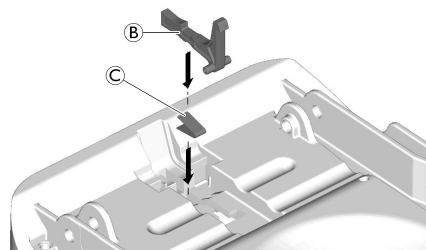


Fig. 4-19

4. Insert leaf spring Ⓒ into the base plate with the open side facing to the back.
5. Insert catch Ⓑ into the base plate.
6. Turn over the base plate, holding the catch in place with one finger so that it cannot fall out.

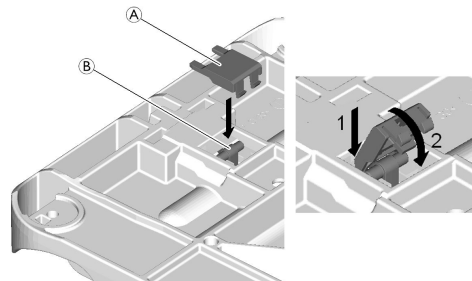


Fig. 4-20

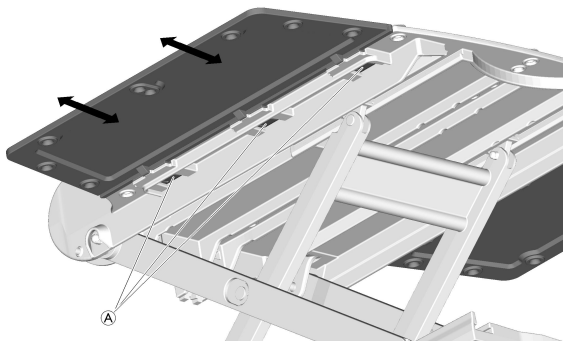
7. Insert bearing shell Ⓐ nose first into the base plate and then push it back until it engages so that catch Ⓑ is secured.
8. Install the single-tab and two-tab suction cups in the reverse order from the description of the removal process.

## 4.5 Removing/fitting the side flaps

Difficulty: ●○○

Tool: —

Pos.	Designation	Article number	Quantity
Ⓐ	Side flap	15892	2



### Removal

1. Press in the clips of side flap Ⓐ and slowly draw out the side flap.

### Fitting

1. Slide the clips of side flap Ⓐ evenly into the slots of the seat plate until they engage.

## 4.6 Replacing the hand control

Difficulty: ●○○

Tool: —

Pos.	Designation	Article number	Quantity
Ⓐ	Hand control	1470902	1

1. Pull the hand control plug by the blue casing, loosening it from the jack plug.
2. Place the blue casing of the new hand control onto the jack plug.
3. Check all the functions of the bath lift.



### WARNING!

- The hand control should only be replaced as a complete component.
- Do not open or attempt to repair the hand control.



Please contact Invacare® customer service by phone or order a new hand control using the electronic spare parts catalog at [www.invacare.de](http://www.invacare.de).

---

# Inhaltsverzeichnis

---

FACHHÄNDLER: Bewahren Sie dieses Handbuch auf. Die in diesem Handbuch beschriebenen Maßnahmen MÜSSEN von einer qualifizierten Fachperson ausgeführt werden.

<b>1 Allgemeines</b> . . . . .	<b>14</b>
1.1 Sicherheitshinweise . . . . .	14
1.2 Sicherheits- und Befestigungsanweisungen . . . . .	14
<b>2 Produktsicherheit</b> . . . . .	<b>15</b>
2.1 Wiederkehrende Prüfung . . . . .	15
2.1.1 Visuelle Kontrolle . . . . .	15
2.1.2 Funktionskontrolle . . . . .	15
2.1.3 Prüfung der elektrischen Sicherheit . . . . .	15
2.1.4 Checkliste . . . . .	15
2.2 Wartung . . . . .	15
<b>3 Wiederaufbereitung</b> . . . . .	<b>16</b>
3.1 Reinigung und Desinfektion . . . . .	16
<b>4 Reparatur</b> . . . . .	<b>17</b>
4.1 Ersatzteile . . . . .	17
4.2 Rückenlehne demontieren/montieren . . . . .	17
4.3 Hubschere demontieren/montieren . . . . .	19
4.4 Grundplatte demontieren/montieren . . . . .	20
4.5 Seitenklappen demontieren/montieren . . . . .	22
4.6 Handbedienteil austauschen . . . . .	22

# 1 Allgemeines

Das vorliegende Service-Handbuch enthält die technischen Informationen zur Erhaltung der Produktsicherheit, Wiederaufbereitung und Reparatur von Aquatec® Badewannenliftern.

## 1.1 Sicherheitshinweise



### WARNUNG!

#### Gefahr von Unfällen und schweren Verletzungen.

Wenn ein Badewannenlifter Defekte aufweist, kann es zu Unfällen mit schweren Verletzungen kommen. Regelmäßige wiederkehrende Prüfung und Wartung ist deshalb durchzuführen.



### WICHTIG!

- Vor jedem Wiedereinsatz ist eine Reinigung und Desinfektion sowie Prüfung (siehe *2.1 Wiederkehrende Prüfung, Seite 15*) durchzuführen und die Sauger sind auszutauschen.
- Die Prüfung und Wartung, Wiederaufbereitung und Reparatur eines Badewannenlifters darf nur von autorisierten Fachhändlern vorgenommen werden.

## 1.2 Sicherheits- und Befestigungsanweisungen

Diese Sicherheitsanweisungen sollen dazu beitragen, Unfälle bei der Arbeit zu vermeiden, und müssen unter allen Umständen beachtet werden.

Alle mit verunreinigten Produkten in Kontakt kommenden Mitarbeiter müssen regelmäßig durch einen Betriebsarzt betreut werden. Arbeitskleidung und Persönliche Schutzausrüstung (PSA) müssen in erforderlichem Maße zu Verfügung stehen und sich in ordnungsgemäßem Zustand befinden. Auf zuverlässige Hand- und Flächendesinfektion ist zu achten.

### Vor jeglichen Inspektions- oder Reparaturarbeiten

- Dieses Reparaturhandbuch und die zugehörige Gebrauchsanweisung durchlesen und befolgen.

### Persönliche Sicherheitsausrüstung

#### Sicherheitsschuhe

Der Badewannenlifter und manche seiner Komponenten sind sehr schwer. Werden diese Teile fallen gelassen, können sie Fußverletzungen verursachen.

- Bei sämtlichen Arbeiten Sicherheitsschuhe tragen.

### Allgemeine Sicherheitsinformationen und Informationen zum Ein- und Ausbau



### VORSICHT!

#### Quetschgefahr

Verschiedene Komponenten wie Antriebseinheit, Sitz usw. sind sehr schwer. Sie können daher eine Verletzungsgefahr für die Hände darstellen.

- Beachten Sie das hohe Gewicht bestimmter Komponenten. Dies gilt speziell für das Ausbauen von Antriebseinheit, Sitz oder Rückenlehne.



### VORSICHT!

#### Verletzungsgefahr und Gefahr einer Beschädigung des Badewannenlifters bei unsachgemäßer oder unvollständiger Durchführung von Instandhaltungsarbeiten

- Ausschließlich unbeschädigte Werkzeuge in gutem Zustand verwenden.
- Nach Abschluss der Arbeiten und vor dem erneuten Anfahren des Badewannenlifters alle Verbindungen auf festen Sitz überprüfen.
- Nach Abschluss der Arbeiten und vor dem erneuten Anfahren des Badewannenlifters überprüfen, dass alle Teile korrekt eingerastet sind.
- Zum Abschluss der Arbeiten stets eine Probefahrt durchführen.

## 2 Produktsicherheit

### 2.1 Wiederkehrende Prüfung



#### WICHTIG!

Durch regelmäßig wiederkehrende Prüfung des Produktes ist dessen Produktsicherheit sicherzustellen. Die vorgeschriebenen Intervalle sind einzuhalten.



#### WARNUNG!

- Es wird empfohlen, den Badewannenlifter spätestens nach 24 Monaten (in Anlehnung an EN ISO 10535) zu überprüfen und die Sauger auszutauschen.
- Die elektrische Sicherheit des Produktes nach Landesvorgabe überprüfen.

#### 2.1.1 Visuelle Kontrolle

1. Sitz-, Rücken- und Grundplatte auf Beschädigungen und Vollständigkeit überprüfen.
2. Durch Aufziehen und Zusammenschieben die Hubscheren und Gleitschuhe überprüfen.
3. Bolzen an den Lagern Sitzplatte/Hubschere und Grundplatte/Hubschere überprüfen.
4. Handbedienteil auf Beschädigungen überprüfen. Handbedienteil austauschen, wenn das Gehäuse des Handbedienteils beschädigt ist oder Risse aufweist.
5. Steckerladegerät auf Beschädigungen überprüfen.

#### 2.1.2 Funktionskontrolle

1. Steckerladegerät auf Leerlaufspannung zwischen 24 V und 26 V an den Ladepolen des Klinkensteckers mit Voltmeter überprüfen.
2. Handbedienteil auf Funktion mittels gleichzeitiger Betätigung der Stop- und einer Richtungstaste prüfen (Ladediode geht an). Bei vollgeladenem Handbedienteil muss die Mindesthubzahl des Badewannenlifters unter maximaler Belastung ohne Nachladen erreicht werden (ORCA, ORCA F: 5 Hübe, ORCA XL: 4 Hübe).
3. Badewannenlifter mit maximaler Belastung, durch Hochfahren und Absenken, auf Funktion und Störgeräusche überprüfen.

#### 2.1.3 Prüfung der elektrischen Sicherheit



#### WICHTIG!

Regelmäßig elektrische Prüfung gemäß EN 62353 (VDE0751) nach Landesvorgabe erforderlich.

1. Ladegerät in Verbindung mit dem Handbedienteil auf Beschädigungen an Gehäuse oder Kabel, Funktion und Ableitstrom prüfen.
2. Antrieb auf Beschädigungen an Gehäuse oder Kabel prüfen.


### 2.1.4 Checkliste

<b>Allgemeine Befundaufnahme</b>	☺	☹
Ist das Gerät in einem guten Zustand und vollständig (Gerät und Zubehör)?	<input type="checkbox"/>	<input type="checkbox"/>
Ist das Typenschild gut lesbar und fest am Produkt angebracht?	<input type="checkbox"/>	<input type="checkbox"/>
Wurden nachträgliche Veränderungen am Produkt vorgenommen?	<input type="checkbox"/>	<input type="checkbox"/>
Ist das Gerät frei von Beschädigungen oder Schwächungen jeglicher Art? Arbeitet das Gerät bei Nominallast einwandfrei?	<input type="checkbox"/>	<input type="checkbox"/>
Ist umfassende Funktionalität gemäß Gebrauchsanweisung gegeben? Liegt eine Gebrauchsanweisung dem Produkt bei?	<input type="checkbox"/>	<input type="checkbox"/>
Arbeiten alle Schutzeinrichtungen bestimmungsgemäß?	<input type="checkbox"/>	<input type="checkbox"/>
Ist das Gerät elektrisch sicher, falls zutreffend?	<input type="checkbox"/>	<input type="checkbox"/>
Sind alle sicherheitsrelevanten Aufschriften ausreichend lesbar? Ist ein Typenschild vorhanden und haftet dies fest auf dem Untergrund?	<input type="checkbox"/>	<input type="checkbox"/>
<b>Behebung von Mängeln</b>	☺	☹
Wurden alle festgestellten Mängel behoben und defekte Komponenten getauscht?	<input type="checkbox"/>	<input type="checkbox"/>
Arbeitet das Gerät nun einwandfrei?	<input type="checkbox"/>	<input type="checkbox"/>
Arbeiten alle Schutzeinrichtungen nun bestimmungsgemäß?	<input type="checkbox"/>	<input type="checkbox"/>
Sind alle erforderlichen sicherheitsrelevanten Aufschriften nun vorhanden?	<input type="checkbox"/>	<input type="checkbox"/>
<b>Abschluss der Kontrolle</b>	☺	☹
Wurde das Gerät gereinigt und desinfiziert?	<input type="checkbox"/>	<input type="checkbox"/>
Ist das Gerät technisch-funktionell sicher?	<input type="checkbox"/>	<input type="checkbox"/>
Ist das Gerät elektrisch sicher, falls zutreffend?	<input type="checkbox"/>	<input type="checkbox"/>
Ist das Typenschild gut lesbar und fest am Produkt angebracht?	<input type="checkbox"/>	<input type="checkbox"/>
Wurde das Gerät einwandfrei verpackt?	<input type="checkbox"/>	<input type="checkbox"/>

## 2.2 Wartung

Für dieses Produkt ist keine Wartung erforderlich, wenn die aufgeführten Reinigungs- und Sicherheitshinweise beachtet werden.

### 3 Wiederaufbereitung

 Für die Wiederaufbereitung von Invacare® Produkten wird prinzipiell empfohlen, die von Invacare® angebotene Dienstleistung InvaService in Anspruch zu nehmen. Für weitere Informationen wenden Sie sich an die Invacare®-Niederlassung in Ihrem Land. Kontaktadressen finden Sie auf der Rückseite dieses Service-Handbuchs.

Vor der Entscheidung der Aufbereitung sollte über eine kritische Bewertung der sachgerechten Durchführbarkeit hinaus auch geprüft werden, ob diese unter Berücksichtigung des mit der Aufbereitung und Anwendung des Medizinproduktes verbundenen Risikos und des Aufwandes und Qualitätssicherung wirtschaftlich und ökologisch sinnvoll ist, oder das Medizinprodukt besser entsorgt werden sollte.

Die Wiederaufbereitung des Produktes umfasst folgende Punkte:

- 3.1 Reinigung und Desinfektion, Seite 16.
- 2.1 Wiederkehrende Prüfung, Seite 15.
- 2.2 Wartung, Seite 15.



#### WICHTIG!

- Das alte Typenschild nach Möglichkeit weiterverwenden, sollte dies nicht möglich sein, muss das neue Typenschild den gleichen Inhalt mit der alten Seriennummer bekommen. (Austausch von Ersatzteilen mit Seriennummern).
- Wenn Schrauben mit Schraubensicherung gelöst werden, müssen diese durch neue ersetzt werden.

#### 3.1 Reinigung und Desinfektion

Manuelle Reinigungs- und Desinfektionsverfahren müssen stets nach dokumentierten Arbeitsanweisungen und mit auf Wirksamkeit geprüften, auf das Medizinprodukt abgestimmten Mitteln und Verfahren durchgeführt werden. Bei maschinellen Reinigungs- und Desinfektionsverfahren kann verfahrenstechnisch sichergestellt werden, dass die zur Erzielung einer quantifizierbaren Reinigungs- und Desinfektionsleistung notwendigen Parameter eingehalten werden. Um die kontinuierliche Qualität manueller und/oder maschineller Aufbereitungsverfahren zu gewährleisten, muss mindestens durch periodische Prüfungen nachgewiesen werden, dass die Wirksamkeit noch gegeben ist und keine unbeabsichtigten Änderungen eingetreten sind.

Die Aufbereitung endet mit der dokumentierten Freigabe des Medizinproduktes zur Anwendung. Die Kette der Maßnahmen muss optimiert sein, da Schwächen in einem der erforderlichen Einzelschritte den Gesamterfolg gefährden. Transport und Lagerung dürfen die

Eigenschaften des aufbereiteten Medizinproduktes nicht nachteilig beeinflussen. Beim Transport ist sicherzustellen, dass durch eine strikte Trennung von reinen / unreinen Geräten eine Kontamination eines aufbereiteten oder neuen Medizinproduktes bis zu seiner Anwendung ausgeschlossen ist.

Alle verwendeten Reinigungs- und Desinfektionsmittel müssen wirksam, untereinander kompatibel und Material schonend zu den eingesetzten Werkstoffen sein. Entsprechende Reinigungs- und Desinfektionsbäder sind in definierten Zeitabständen regelmäßig zu erneuern, um deren Wirksamkeit sicher zu gewährleisten. Verwendete Desinfektionsmittel müssen bezüglich Einwirkzeit und Konzentration der Desinfektionsmittelliste des Verbunds für Angewandte Hygiene e. V. (<http://vah.data-room.de>) sowie der Deutschen Vereinigung zur Bekämpfung der Viruskrankheiten e. V. ([www.dvv-ev.de](http://www.dvv-ev.de)) entsprechen. Gemäß der jeweils vorhandenen Ausstattung und Einrichtung sind die Reinigungs- und Desinfektionsmittel auszuwählen, um ein zuverlässiges Reinigungsergebnis zu gewährleisten.

Ausgetauschte Produkte und Produktteile sind nach ihrer jeweiligen Materialzusammensetzung zu entsorgen.

#### Vorbereitung zur Reinigung

1. Rücken von der Sitzplatte lösen.
2. Elektronikanschlüsse mit Schutzkappen abdecken, um Wassereintritt zuverlässig zu verhindern.

#### Reinigen

1. Oberflächigen Schmutz entfernen.
2. Alle Komponenten des Badewannenlifters mit Reiniger behandeln und mit klarem Wasser abspülen.
3. Bezüge erneuern oder bei maximal 60 °C in der Waschmaschine reinigen.



#### WICHTIG!

##### Beschädigungsgefahr

- Waschen bei höheren Temperaturen kann Einlaufen zur Folge haben.
- Bezüge nicht im Wäschetrockner trocknen.

4. Handbedienteil, Abdeckungen und Ladegerät mit einem Universal Reiniger von Hand reinigen.
5. Alle Komponenten des Badewannenlifters mit Umluft trocknen oder mit Handtüchern trockenreiben.
6. Sauger und Saugerdeckel überprüfen und ggf. austauschen.

#### Desinfektion

1. Sitzfläche, die Vorderseite der Rückenstütze und das Handbedienteil per Wischdesinfektion mit Desinfektionsmittel desinfizieren.
2. Alle Komponenten des Badewannenlifters mit Umluft trocknen oder an der Luft trocknen lassen, bis keine Oberflächenfeuchtigkeit mehr vorhanden ist.



## 4 Reparatur

Die Reparatur erfordert ein hohes Maß an Erfahrung, daher sind die folgenden Montageanweisungen in drei Kategorien eingeteilt:

Anforderung	Symbol
Leicht – technisches Verständnis erforderlich	●○○
Mittel – Fachwissen erforderlich	●●○
Schwer – Fachwissen und Erfahrung in der Badewannenliftermontage erforderlich	●●●

Vor der Anweisung sind jeweils die notwendigen Werkzeuge und deren Größe aufgeführt.

Werkzeug	Symbol
Kreuzschraubendreher	⊕
Schlitzschraubendreher	⊖
Torx-Schraubendreher	⊕*
Sicherungsringzange	⊖



### WARNUNG!

– Den Badewannenlifter vor der Reparatur reinigen und desinfizieren, um mögliche Kontaminationen zu vermeiden.



### WICHTIG!

- Reparaturen dürfen nur von einem autorisierten Fachhändler vorgenommen werden.
- Das alte Typenschild nach Möglichkeit weiterverwenden, sollte dies nicht möglich sein, muss das neue Typenschild den gleichen Inhalt mit der alten Seriennummer bekommen. (Austausch von Ersatzteilen mit Seriennummern).
- Beim Austausch von Komponenten muss die Rückverfolgbarkeit der getauschten Komponenten gewährleistet sein.
- Wenn Schrauben mit Schraubensicherung gelöst werden, müssen diese durch neue ersetzt werden.
- Wenn Sicherungsringe gelöst werden, müssen diese durch neue ersetzt werden.
- Teile, die bei der Demontage beschädigt werden, müssen durch neue ersetzt werden.

## 4.1 Ersatzteile



### WARNUNG!

Für Reparaturen ausschließlich Original-Ersatzteile verwenden. Sonst erlischt Garantie und Produktkonformität.

Alle Ersatzteile können Sie über den Invacare Kundenservice beziehen. Einen elektronischen Ersatzteilkatalog finden Sie auf der jeweiligen Invacare Webseite oder im Händler-Portal auf Invacare DIREKT.

## 4.2 Rückenlehne demontieren/montieren

Schwierigkeit: ●●○

Werkzeug: ⊕, ⊕\*, ⊖, ⊖

Pos.	Bezeichnung	Artikelnummer	Menge
Ⓐ	Antriebseinheit (ORCA) (ORCA F) (ORCA XL)	16782 1471060 1471062	1
Ⓑ	Rohrschelle	16778	2 (vor Mai 2015) 1 (ab Mai 2015)
Ⓒ	Mutterstück für Antrieb	16779	4 (vor Mai 2015) 2 (ab Mai 2015)
Ⓓ	Scheibe	16780	4 (vor Mai 2015) 2 (ab Mai 2015)
Ⓔ	Schraube für Befestigung	16781	4 (vor Mai 2015) 2 (ab Mai 2015)
Ⓕ	Steckerhalter	16455	1
Ⓖ	Schrauben	15348	2
Ⓗ	Sicherungsring	16456	2
Ⓘ	Achse	16793	1
Ⓙ	Rolle (ORCA/ORCA XL)	16450	1
Ⓚ	Sicherungsscheibe	15344	2
Ⓛ	Bolzen links (ORCA/ORCA XL)	1470580	1
	Bolzen rechts (ORCA/ORCA XL)	1470579	1
	Bolzen links (ORCA F)	1471059	1
	Bolzen rechts (ORCA F)	1471058	1
Ⓜ	Rückenlehne	1563010	1

### Rückenlehne demontieren

1. Spindelrohr ganz einfahren.
2. Rückenlehne nach vorne klappen, aushängen und auf die Arbeitsfläche legen.

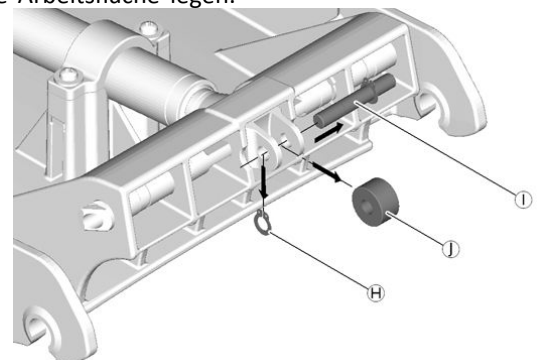


Fig. 4-1

3. Sicherungsring Ⓗ einseitig mit Sicherungsringzange von der Achse Ⓘ lösen.

4. Achse durch die Öffnung des Spindelfußes herauschieben.  
Bei ORCA / ORCA XL:
5. Rolle aus dem Spindelfuß entnehmen.

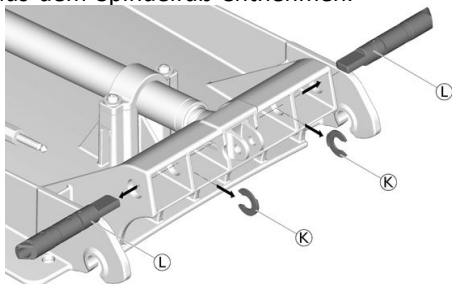


Fig. 4-2

6. Sicherungsscheibe (K) der Bolzen (L) mit Hilfe eines Schraubendrehers entfernen und beide Bolzen aus der Rückenlehne entnehmen.  
Bei ORCA F:
7. Antrieb soweit ausfahren bis die Bolzen (L) ganz ausgeschoben sind. Sicherungsscheibe (K) der Bolzen mit Hilfe eines Schraubendrehers entfernen und die Bolzen aus der Rückenlehne entnehmen. Antrieb wieder einfahren.  
Für alle Versionen:

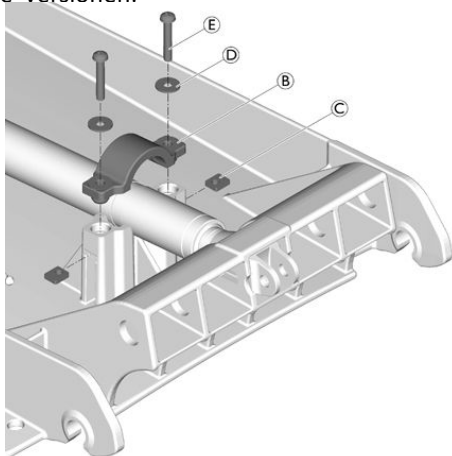


Fig. 4-3

8. Schrauben (E) mit Unterlegscheiben (D) von der Rohrschelle (B) lösen und Rohrschelle abnehmen.
9. Mutterstücke (C) herausnehmen.

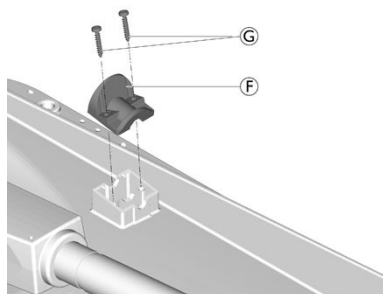


Fig. 4-4

10. Schrauben (G) vom Steckerhalter (F) lösen und Steckerhalter abnehmen.

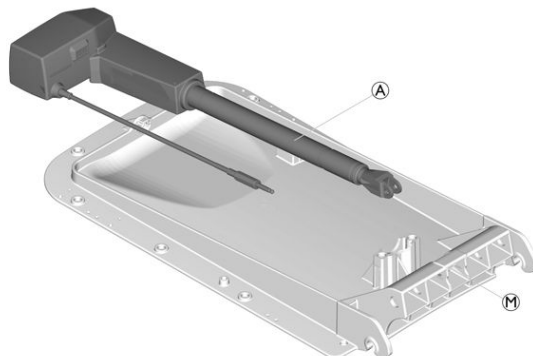
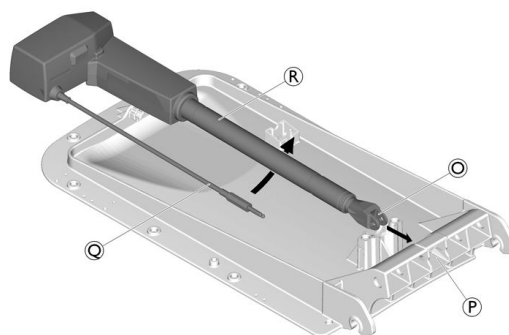


Fig. 4-5

11. Antriebseinheit (A) leicht nach vorne, aus dem Kreuzzapfen der Rückenlehne schieben, dann hinten am Motor leicht anheben und aus der Aussparung der Rückenlehne (M) ziehen.
12. Antriebseinheit an einem sicheren Platz ablegen.

#### Rückenlehne montieren



1. Antriebseinheit auf die Rückenlehne auflegen und durch ihre untere Aussparung (P) schieben.



#### WICHTIG!

- Sicherstellen, dass dabei die Spindelfußwölbung (O) nach oben zeigt.

2. Dabei das Kabel (Q) unter dem Antriebsrohr (R) durchführen.

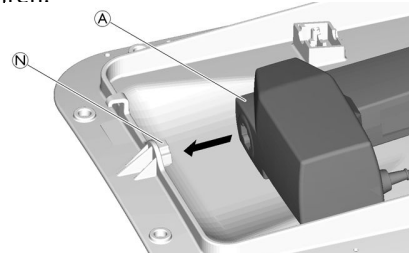


Fig. 4-6

3. Kopfende der Antriebseinheit (A) mit der Aussparung in den Kreuzzapfen (N) der Rückenlehne einführen.

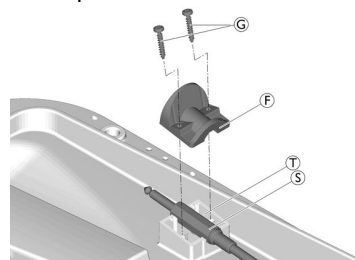


Fig. 4-7

4. Klinkenstecker (S) in der Aufnahme (T) der Rückenlehne positionieren.

5. Steckerhalter (F) aufsetzen und mit Schrauben (G) fixieren (Drehmoment 1,5 Nm).
6. Spindelfuß gerade ausrichten indem das Antriebsrohr entsprechend gedreht wird.

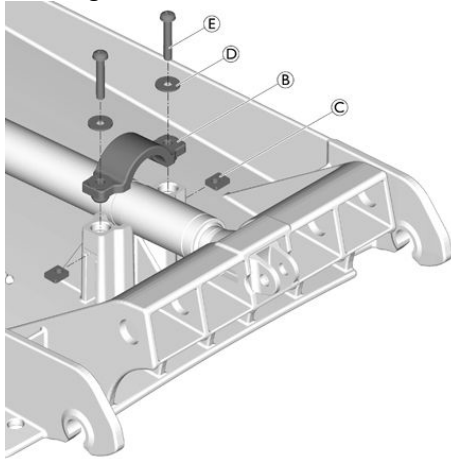



Fig. 4-8

7. Mutterstücke (C) auf beiden Seiten, mit der glatten Seite nach oben, in die seitliche Öffnung schieben.
  8. Rohrschelle (B) über dem Antriebsrohr platzieren.
-  Darauf achten, dass die erhöhte Fläche der Rohrschelle zum oberen Ende der Rückenlehne zeigt.
9. Rohrschelle mit Schrauben (E) und Unterlegscheiben (D) fixieren (Drehmoment 4,2 Nm).  
Bei ORCA / ORCA XL:

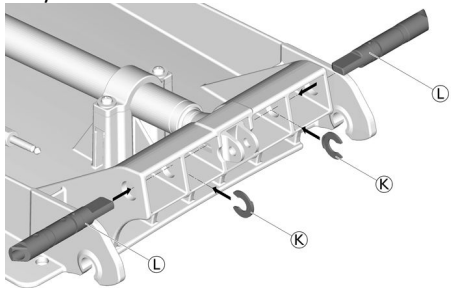


Fig. 4-9

10. Bolzen rechts und links in der Rückenlehne platzieren und mit Sicherungsscheiben (K) sichern.

**!** **WICHTIG!**  
 – Darauf achten, dass die Kennzeichnung "R" bzw. "L" auf den Bolzen nach oben zeigen.  
 – Darauf achten, dass die flachen Seiten der Sicherungsscheiben nach aussen zeigen.

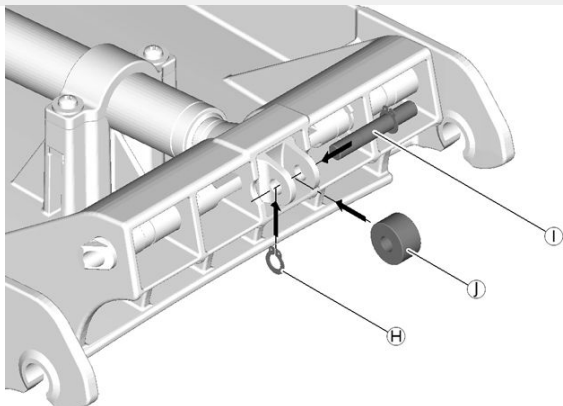
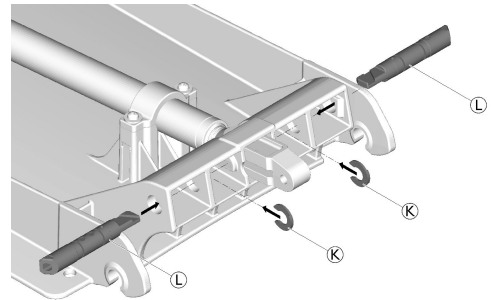


Fig. 4-10

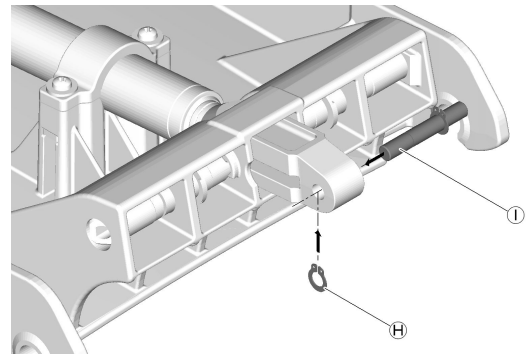
11. Sicherungsring mit Sicherungsringzange einseitig auf Achse montieren bzw. vorhandene Achse (I) mit montiertem Sicherungsring verwenden.
12. Rolle (J) in Spindelfuß-Aussparung platzieren (bei ORCA / ORCA XL).
13. Achse durch Öffnung des Spindelfußes, der Rolle schieben und mit zweitem Sicherungsring (H) befestigen.

**!** **WICHTIG!**  
 – Sicherstellen, dass der Sicherungsring richtig einrastet.

Bei ORCA F:



14. Handbedienteil aufstecken und Spindelfuß 10 cm ausfahren. Bolzen rechts und links in der Rückenlehne platzieren und mit den Sicherungsscheiben sichern. Die flachen Seiten der Sicherungsscheiben zeigen dabei nach innen. Spindelfuß wieder einfahren. Dabei werden die Bolzen automatisch eingezogen.



15. Sicherungsring mit Sicherungsringzange einseitig auf Achse montieren bzw. vorhandene Achse (I) mit montiertem Sicherungsring verwenden.
16. Achse durch Öffnung des Spindelfußes schieben und mit zweitem Sicherungsring (H) befestigen.

**!** **WICHTIG!**  
 – Sicherstellen, dass der Sicherungsring richtig einrastet.

### 4.3 Hubschere demontieren/montieren

Schwierigkeit: ●●○

Werkzeug: ●

Pos.	Bezeichnung	Artikelnummer	Menge
(A)	Hubschere (ORCA / ORCA F) (ORCA XL)	16804 1471063	1
(C)	Bolzen für Gleitschuh	15105	4
(D)	Gleitschuh	16446	4

Pos.	Bezeichnung	Artikelnummer	Menge
Ⓔ	Steckbolzen (ORCA / ORCA F) Stahlbolzen (ORCA XL)	16679 1471088	4
Ⓕ	Sicherungsscheibe (ORCA XL)	1471089	4



**WARNUNG!**  
**Klemm- und Quetschgefahr der Finger und Hände**

– Bei allen Arbeiten im Scherenbereich in Verbindung mit dem Hubmechanismus vorsichtig vorgehen.



**WICHTIG!**

– Bei jeder Reparatur die Sicherungsscheiben Ⓕ durch neue ersetzen.  
– Bei jeder Reparatur die Bolzen Ⓒ und Steckbolzen Ⓔ durch neue ersetzen.

**Demontieren**

1. Antrieb ganz einfahren und Rückenstütze abnehmen.
2. Durch Drücken der roten Verriegelung die Hubschere aufstellen.

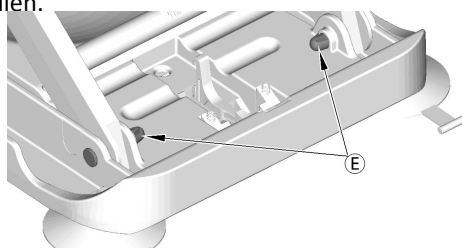
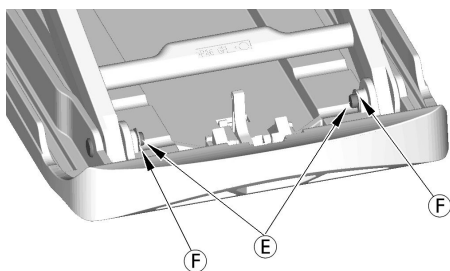


Fig. 4-11

3. Zapfen der Steckbolzen Ⓔ unten, von innen mit Schlitzschraubendreher abbrechen, Bolzen nach aussen durchdrücken und entfernen.



Bei ORCA XL:

Die Sicherungsscheiben Ⓕ von den Stahlbolzen Ⓒ entfernen, die Stahlbolzen nach aussen durchdrücken und entfernen.

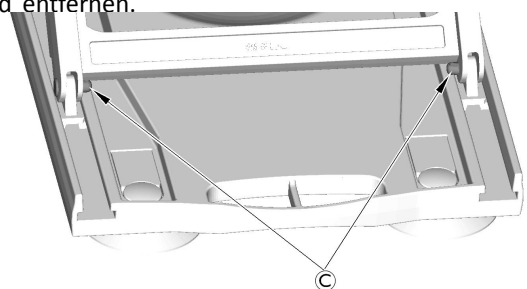


Fig. 4-12

4. Grundplatte von den Hubscheren entfernen.

5. Zapfen der Bolzen für die Gleitschuhe Ⓒ unten von innen mit Schlitzschraubendreher abbrechen, Bolzen nach aussen durchdrücken und entfernen.

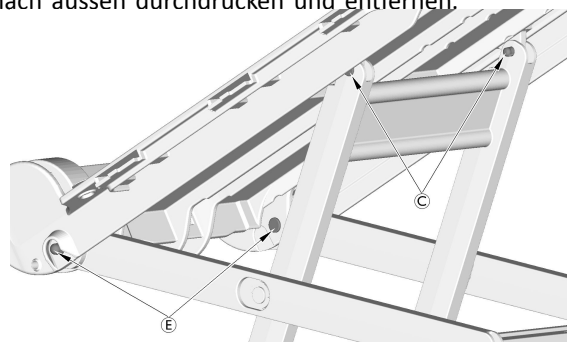
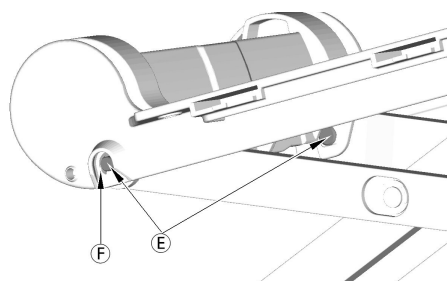


Fig. 4-13

6. Zapfen der Bolzen für die Gleitschuhe Ⓒ oben, die die Hubschere vorne mit der Sitzplatte verbinden, von innen mit Schlitzschraubendreher abbrechen, Bolzen nach aussen durchdrücken und entfernen.
7. Zapfen der Steckbolzen Ⓔ oben, die die Hubschere hinten mit der Sitzplatte verbinden, von aussen mit Schlitzschraubendreher abbrechen, Steckbolzen nach innen durchdrücken und entfernen.



Bei ORCA XL:

Die Sicherungsscheiben Ⓕ von den Stahlbolzen Ⓒ entfernen, die Stahlbolzen nach innen durchdrücken und entfernen.

**Montieren**

1. Die Montage der Hubscheren an die Sitz- und Grundplatte erfolgt in umgekehrter Reihenfolge wie die Demontage.

**4.4 Grundplatte demontieren/montieren**

Schwierigkeit: ●○○

Werkzeug: ●

Pos.	Bezeichnung	Artikelnummer	Menge
	Grundplatte (ORCA) (ORCA XL / ORCA F)	1563011 1471054	1
Ⓐ	Lagerschale	16448	1
Ⓑ	Klinke	16449	1
Ⓒ	Blattfeder	15415	1
Ⓓ	Verriegelung rechts (ORCA / ORCA XL) (ORCA F)	16792 1471056	1
Ⓔ	Verriegelung links (ORCA / ORCA XL) (ORCA F)	16791 1471057	1

Pos.	Bezeichnung	Artikelnummer	Menge
Ⓕ	Druckfeder für Verriegelung (ORCA / ORCA XL)	16794	2
Ⓖ	Sauger zweilaschig (Set)	15071	1
Ⓙ	Sauger einlaschig (Set)	15072	1
Ⓚ	Saugerdeckel, rot	15121	2

### Demontieren

1. Grundplatte mit der Unterseite nach oben auf den Arbeitstisch legen.

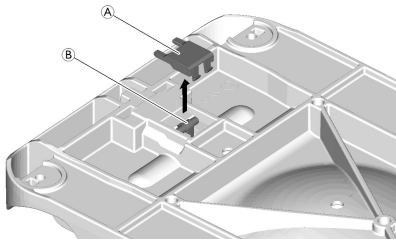


Fig. 4-14

2. Lagerschale Ⓐ entfernen.
3. Klinke Ⓑ und Blattfeder aus der Grundplatte entfernen.

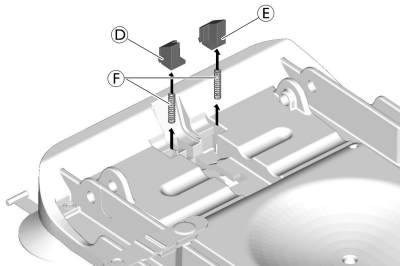


Fig. 4-15

4. Grundplatte umdrehen.
5. Verriegelung rechts Ⓓ und Verriegelung links Ⓔ aus der Grundplatte entfernen.
6. Druckfedern Ⓕ entfernen.

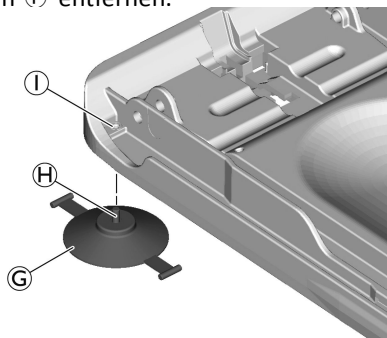


Fig. 4-16

7. Sauger Ⓒ mit Schraube Ⓓ aus Gewindehülse Ⓙ herausdrehen.

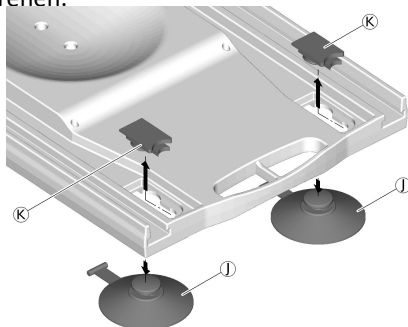


Fig. 4-17

8. Die roten Saugerdeckel Ⓚ mit Hilfe eines Schlitzschraubendrehers entfernen.
9. Die einlaschigen Sauger Ⓙ herausnehmen.
10. Alte Grundplatte entfernen.

### Montieren

1. Neue Grundplatte auf den Arbeitstisch legen.

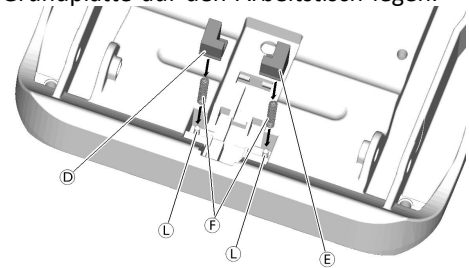


Fig. 4-18

2. Druckfedern Ⓕ in die Aufnahmen Ⓖ der Grundplatte stecken.
3. Verriegelung rechts Ⓓ und Verriegelung links Ⓔ samt Druckfedern nach unten drücken, bis diese in die Grundplatte einrasten.

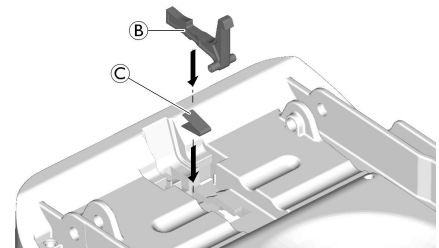


Fig. 4-19

4. Blattfeder Ⓒ mit der offenen Seite nach hinten in die Grundplatte einlegen.
5. Klinke Ⓑ in Grundplatte einlegen.
6. Grundplatte umdrehen und dabei die Klinke mit einem Finger festhalten, sodass sie nicht herausfällt.

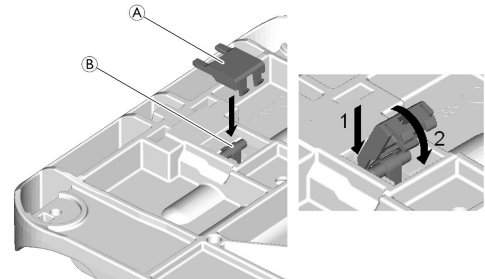


Fig. 4-20

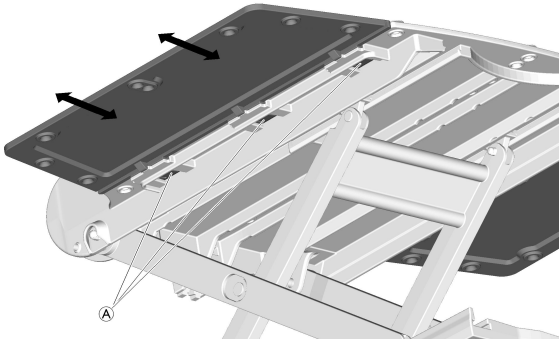
7. Lagerschale Ⓐ mit den Nasen zuerst in die Grundplatte einführen und dann nach hinten hinunterdrücken bis sie einrastet, sodass die Klinke Ⓑ befestigt wird.
8. Einlaschige und zweilaschige Sauger in umgekehrter Reihenfolge, wie bei der Demontage beschrieben, montieren.

## 4.5 Seitenklappen demontieren/montieren

Schwierigkeit: ●○○

Werkzeug: —

Pos.	Bezeichnung	Artikelnummer	Menge
Ⓐ	Seitenklappe	15892	2



### Demontieren

1. Clips der Seitenklappe Ⓐ eindrücken und Seitenklappe langsam herausziehen.

### Montieren

1. Clips der Seitenklappe Ⓐ bis zum Anschlag gleichmäßig in die Aussparungen der Sitzplatte schieben.

## 4.6 Handbedienteil austauschen

Schwierigkeit: ●○○

Werkzeug: —

Pos.	Bezeichnung	Artikelnummer	Menge
Ⓐ	Handbedienteil	1470902	1

1. Handbedienteilstecker an der blauen Hülse ziehen und so vom Klinkenstecker lösen.
2. Blaue Hülse vom neuen Handbedienteil auf den Klinkenstecker aufstecken.
3. Alle Funktionen des Badewannenlifters überprüfen.



### WARNUNG!

- Handbedienteil nur als komplette Komponente austauschen.
- Handbedienteil nicht öffnen oder reparieren.



Bitte wenden Sie sich telefonisch an den Invacare®-Kundenservice oder bestellen Sie ein neues Handbedienteil über den elektronischen Ersatzteilkatalog, auf [www.invacare.de](http://www.invacare.de).

---

## Sommaire

---

REVENDEUR : conservez ce manuel. Les procédures figurant dans ce manuel DOIVENT être exécutées par un technicien qualifié.

<b>1 Généralités</b>	<b>24</b>
1.1 Dispositif de sécurité	24
1.2 Instructions de sécurité et de fixation	24
<b>2 Sécurité du produit</b>	<b>25</b>
2.1 Contrôles périodiques	25
2.1.1 Contrôle visuel	25
2.1.2 Contrôle du fonctionnement	25
2.1.3 Vérification de la sécurité électrique	25
2.1.4 Liste de contrôle	25
2.2 Entretien	25
<b>3 Reconditionnement</b>	<b>26</b>
3.1 Nettoyage et désinfection	26
<b>4 Réparation</b>	<b>27</b>
4.1 Pièces de rechange	27
4.2 Démontage/fixation du relève-buste	27
4.3 Démontage/fixation des croisillons	30
4.4 Démontage/fixation de l'embase	31
4.5 Démontage/fixation des rabats latéraux	32
4.6 Remplacement de la télécommande	32

# 1 Généralités

Le présent manuel de maintenance fournit toutes les informations techniques nécessaires à préserver la sécurité du produit, à reconditionner et à réparer les élévateurs de bain Aquatec®.

## 1.1 Dispositif de sécurité



### AVERTISSEMENT !

#### Risque d'accidents et de blessures graves.

Si un élévateur de bain est défectueux, cela peut provoquer des accidents et des blessures graves. Pour cela, le produit requiert des contrôles et un entretien régulier.



### IMPORTANT !

- Avant de réutiliser le produit, nettoyez-le et désinfectez-le et effectuez un contrôle (voir la section 2.1 *Contrôles périodiques*, page 25). Les ventouses doivent être remplacées.
- Les contrôles et l'entretien, le reconditionnement et les réparations des élévateurs de bain ne peuvent être effectués que par des revendeurs spécialisés.

## 1.2 Instructions de sécurité et de fixation

Ces instructions de sécurité sont destinées à aider à éviter des accidents pendant le travail et doivent être observées en toutes circonstances.

Tous les employés entrant en contact avec des produits contaminés doivent régulièrement consulter le médecin de la société. Des vêtements de travail et un équipement de protection individuelle doivent être mis à disposition en quantité nécessaire dans un bon état. Une désinfection fiable de la surface et des mains doit être assurée.

### Avant toutes les inspections ou les réparations

- Lisez soigneusement ce manuel de réparation et le manuel d'utilisation associé et suivez les instructions.

## Équipement de sécurité personnelle

### Chaussures de sécurité

L'élévateur de bain et certains de ses composants sont très lourds. Vous pouvez vous blesser si ces pièces tombent sur vos pieds.

- Portez des chaussures de sécurité pendant toutes les tâches.

### Informations générales sur la sécurité et informations concernant le montage/la dépose



### ATTENTION !

#### Risque de pincement

Plusieurs composants comme le vérin, le siège, etc. sont très lourds. Ils peuvent par conséquent représenter un risque de blessure pour les mains.

- Notez le poids élevé de certains composants. Ceci concerne en particulier la dépose de le vérin, de l'assise ou du relève-buste.



### ATTENTION !

#### Risque de blessure et de dommage matériel sur l'élévateur de bain si le travail d'entretien est effectué incorrectement ou incomplètement

- N'utilisez que des outils non endommagés en bon état.
- Une fois la tâche terminée/avant un nouveau démarrage de l'élévateur de bain, vérifiez tous les raccords pour voir s'ils sont bien serrés.
- Une fois la tâche terminée/avant un nouveau démarrage de l'élévateur de bain, vérifiez que toutes les pièces sont correctement embrayées.
- Effectuez toujours un essai à la fin de votre travail.



## 2 Sécurité du produit

### 2.1 Contrôles périodiques



#### IMPORTANT !

Le produit requiert des contrôles réguliers pour garantir sa sécurité. Les intervalles requis doivent être respectés.



#### AVERTISSEMENT !

- Nous recommandons de vérifier l'élévateur de bain après 24 mois au plus tard (conformément à la norme EN ISO 10535) et les ventouses doivent être remplacées.
- Vérifiez la sécurité électrique du produit conformément à la législation nationale.

#### 2.1.1 Contrôle visuel

1. Vérifiez que la plaque d'assise, la plaque de dossier et l'embase ne sont pas endommagées et qu'elles sont complètes.
2. Vérifiez les croisillons et les patins en les soulevant et en les poussant de nouveau ensemble.
3. Vérifiez les goupilles sur les paliers de la plaque d'assise/croisillons et de l'embase/croisillons.
4. Vérifiez que la télécommande n'est pas endommagée. Remplacez la télécommande si le boîtier de la télécommande est endommagé ou présente des fissures.
5. Vérifiez que la prise du chargeur n'est pas endommagée.

#### 2.1.2 Contrôle du fonctionnement

1. Utilisez un voltmètre pour vérifier l'absence de circuit ouvert dans le chargeur. La tension aux bornes de charge de la fiche jack doit être comprise entre 24 V et 26 V.
2. Vérifiez le fonctionnement de la télécommande en appuyant simultanément sur le bouton arrêt et montée ou descente (la diode de charge s'allume). Si la télécommande manuelle est complètement chargée, le nombre minimum de levages par l'élévateur de bain sous charge maximum doit être atteint sans recharge (ORCA, ORCA F : 5 levages, ORCA XL : 4 levages).
3. Levez et abaissez l'élévateur de bain sous charge maximum pour vérifier son fonctionnement et écoutez pour voir s'il n'y a pas de bruits inhabituels.

#### 2.1.3 Vérification de la sécurité électrique



#### IMPORTANT !

Des contrôles électriques réguliers conformes à la norme EN 62353 (VDE0751) doivent être effectués en tenant compte des conditions nationales.

1. Inspectez le chargeur ainsi que la télécommande pour vous assurer de l'absence de détérioration du carter ou du câble, testez les fonctions et vérifiez l'absence de courant de fuite.
2. Vérifiez que le carter ou le câble du vérin ne sont pas endommagés.


#### 2.1.4 Liste de contrôle

<b>Inspection générale</b>	☺	☹
Le dispositif est-il en bon état et est-il complet (dispositif et accessoires) ?	<input type="checkbox"/>	<input type="checkbox"/>
L'autocollant d'identification est-il facilement lisible et est-il fermement apposé sur le produit ?	<input type="checkbox"/>	<input type="checkbox"/>
Des changements ultérieurs ont-ils été apportés au produit ?	<input type="checkbox"/>	<input type="checkbox"/>
Le dispositif présent-t-il des détériorations ou des faiblesses de n'importe quel type ? Le dispositif fonctionne-t-il correctement sous charge nominale ?	<input type="checkbox"/>	<input type="checkbox"/>
Le dispositif est-il complètement fonctionnel conformément au manuel d'utilisation ? Le produit est-il accompagné d'un manuel d'utilisation ?	<input type="checkbox"/>	<input type="checkbox"/>
Tout l'équipement de sécurité fonctionne-t-il correctement ?	<input type="checkbox"/>	<input type="checkbox"/>
Le dispositif est-il électriquement sûr, le cas échéant ?	<input type="checkbox"/>	<input type="checkbox"/>
Tous les avis liés à la sécurité sont-ils suffisamment lisibles ? Y a-t-il un autocollant d'identification et est-il correctement apposé à la surface de support ?	<input type="checkbox"/>	<input type="checkbox"/>
<b>Éradication des défauts</b>	☺	☹
Tous les défauts trouvés ont-ils été éliminés et tous les composants défectueux ont-ils été remplacés ?	<input type="checkbox"/>	<input type="checkbox"/>
Le dispositif fonctionne-t-il désormais correctement ?	<input type="checkbox"/>	<input type="checkbox"/>
Tout l'équipement de sécurité fonctionne-t-il désormais correctement ?	<input type="checkbox"/>	<input type="checkbox"/>
Tous les avis liés à la sécurité nécessaires sont-ils désormais en place ?	<input type="checkbox"/>	<input type="checkbox"/>
<b>Fin des contrôles</b>	☺	☹
Le dispositif a-t-il été nettoyé et désinfecté ?	<input type="checkbox"/>	<input type="checkbox"/>
Le dispositif est-il techniquement et fonctionnellement sûr ?	<input type="checkbox"/>	<input type="checkbox"/>
Le dispositif est-il électriquement sûr, le cas échéant ?	<input type="checkbox"/>	<input type="checkbox"/>
L'autocollant d'identification est-il facilement lisible et est-il fermement apposé sur le produit ?	<input type="checkbox"/>	<input type="checkbox"/>
Le dispositif a-t-il été emballé correctement ?	<input type="checkbox"/>	<input type="checkbox"/>

## 2.2 Entretien

Si les consignes de sécurité et de nettoyage sont respectées, aucune maintenance ne sera nécessaire.

### 3 Reconditionnement

 Pour le reconditionnement des produits Invacare®, nous recommandons toujours d'utiliser l'option InvaService disponible auprès de Invacare® (en fonction du pays). Pour obtenir de plus amples informations, veuillez contacter la filiale Invacare® dans votre pays. Vous trouverez l'ensemble des coordonnées au dos de ce manuel de maintenance.

Avant de prendre la décision de reconditionner, il faut aussi vérifier au-delà d'une évaluation critique de faisabilité objective que cela a du sens d'un point de vue économique et écologique, en tenant compte du risque associé au conditionnement et à l'utilisation du dispositif médical et aux frais et à l'assurance qualité, ou voir s'il ne vaudrait pas mieux se débarrasser du dispositif médical.

Le reconditionnement du produit englobe les opérations suivantes :

- 3.1 Nettoyage et désinfection, page 26.
- 2.1 Contrôles périodiques, page 25.
- 2.2 Entretien, page 25.

#### ! IMPORTANT !

- Si possible, continuez à utiliser l'ancien autocollant d'identification ; si ce n'est pas possible, le nouvel autocollant d'identification doit contenir les mêmes informations ainsi que l'ancien numéro de série. (Remplacement des pièces de rechange avec numéros de série).
- Si des vis avec un adhésif frein-filet sont desserrées, elles doivent être remplacées par de nouvelles vis.

### 3.1 Nettoyage et désinfection

Les procédures de nettoyage et de désinfection manuelles doivent toujours être menées conformément aux instructions de travail documentées en vérifiant l'efficacité des moyens et des processus et leur adaptation au dispositif médical. Pour les procédures de nettoyage et de désinfection mécaniques, on peut s'assurer par des procédures que les paramètres nécessaires pour obtenir des performances de nettoyage et de désinfection quantifiables sont respectés. Pour garantir la qualité continue des procédures de conditionnement manuelles et/ou mécaniques, il doit être prouvé par des contrôles au minimum périodiques que la procédure est encore efficace et qu'aucun changement intentionnel n'a été effectué.

Le conditionnement se termine avec l'approbation des documents relative à l'utilisation du dispositif médical. La chaîne d'actions doit être optimisée car une faiblesse dans une des étapes individuelles nécessaires peut menacer le processus dans son ensemble. Le transport et le stockage ne doivent pas avoir un impact négatif sur les caractéristiques du dispositif médical conditionné. Pendant

le transport, il faut s'assurer que la contamination d'un dispositif médical conditionné ou neuf est exclue jusqu'à son utilisation au moyen d'une séparation stricte des dispositifs propres/non propres.

Tous les désinfectants et agents de nettoyage utilisés doivent être efficaces, compatibles entre eux et ne pas être agressifs pour les surfaces qu'ils sont censés nettoyer. Les bains de nettoyage et de désinfection applicables doivent être régulièrement remplacés à des intervalles définis pour garantir leur efficacité. Pour les durées de contact et les concentrations, les désinfectants utilisés doivent respecter la liste des désinfectants fournie par la Verbund für Angewandte Hygiene e.V. (<http://vah.data-room.de> – Association pour l'hygiène appliquée) ainsi que par la Deutsche Vereinigung zur Bekämpfung der Viruskrankheiten e.V. ([www.dvv-ev.de](http://www.dvv-ev.de) – Association allemande pour la lutte contre les maladies virales). Les détergents et les désinfectants doivent être sélectionnés conformément à l'équipement et aux installations disponibles dans chaque cas pour garantir un résultat de nettoyage fiable.

Éliminez les produits et les composants échangés conformément à leur composition matérielle respective.

#### Préparation au nettoyage

1. Détachez le relève-buste de la plaque d'assise.
2. Recouvrez les connexions électriques avec des bouchons de protection pour éviter toute entrée d'eau.

#### Nettoyage

1. Retirez toute contamination superficielle.
2. Traitez tous les composants de l'élévateur de bain avec du détergent et rincez à l'eau claire.
3. Remplacez les housses ou lavez-les en machine à laver à une température maximale de 60 °C.

#### ! IMPORTANT !

##### Risque de dommage matériel

- Le lavage à des températures élevées peut provoquer un rétrécissement.
- Ne séchez pas les housses dans un sèche-linge.

4. Utilisez un détergent universel pour nettoyer à la main les housses des télécommandes et le chargeur.
5. Laissez tous les composants de l'élévateur de bain sécher à température ambiante ou séchez-les avec des serviettes.
6. Vérifiez les ventouses et les clips de ventouses et remplacez-les si nécessaire.

#### Désinfection

1. Désinfectez l'assise, l'avant du relève-buste et la télécommande en les essuyant avec du désinfectant.
2. Séchez tous les composants de l'élévateur de bain à température ambiante ou laissez les sécher tels quels jusqu'à ce qu'il n'y ait plus d'humidité superficielle sur le produit.

## 4 Réparation

Les réparations nécessitent un niveau élevé de savoir-faire. Ces instructions de montage répartissent les différentes tâches en 3 catégories :

Exigence	Symbole
Simple – Compréhension technique nécessaire	●○○
Intermédiaire – Compétences techniques requises	●●○
Difficile – Compétences techniques et expérience dans le montage des élévateurs de bain requises	●●●

Les outils nécessaires et leurs tailles sont répertoriés avant les instructions.

Outil	Symbole
Tournevis cruciforme (Phillips)	⊕
Tournevis à tête plate	●
Tournevis Torx	⊛
Pinces à circlips	○ <



### AVERTISSEMENT !

– Pour éviter le risque de contamination, nettoyez et désinfectez l'élévateur de bain avant d'effectuer les réparations.



### IMPORTANT !

- Les réparations ne doivent être effectuées que par un distributeur agréé.
- Si possible, continuez à utiliser l'ancien autocollant d'identification ; si ce n'est pas possible, le nouvel autocollant d'identification doit contenir les mêmes informations ainsi que l'ancien numéro de série. (Remplacement des pièces de rechange avec numéros de série).
- Lorsque les composants sont remplacés, il est nécessaire de garantir la traçabilité des composants remplacés.
- Si des vis avec un adhésif frein-filet sont desserrées, elles doivent être remplacées par de nouvelles vis.
- Si des vis avec des anneaux circlip sont desserrées, elles doivent être remplacées par de nouvelles vis.
- Les pièces qui ont été endommagées pendant le démontage doivent être remplacées par de nouvelles pièces.

### 4.1 Pièces de rechange



### AVERTISSEMENT !

Utilisez des pièces de rechange d'origine pour toutes les réparations. Dans le cas contraire, la garantie et la déclaration de conformité du produit seront invalidées.

Toutes les pièces de rechange doivent être obtenues auprès du Service clients de Invacare. Un catalogue de pièces de rechange au format électronique est disponible sur le site [www.invacare.fr](http://www.invacare.fr).

### 4.2 Démontage/fixation du relève-buste

Difficulté : ●●○

Outil : ⊕, ⊛, ○ <

Pos.	Désignation	Référence	Quantité
Ⓐ	Vérin (ORCA) (ORCA F) (ORCA XL)	16782 1471060 1471062	1
Ⓑ	Collier de fixation du vérin	16778	2 (avant mai 2015) 1 (à partir de mai 2015)
Ⓒ	Ecrou plat de fixation du vérin	16779	4 (avant mai 2015) 2 (à partir de mai 2015)
Ⓓ	Rondelle	16780	4 (avant mai 2015) 2 (à partir de mai 2015)
Ⓔ	Vis de montage	16781	4 (avant mai 2015) 2 (à partir de mai 2015)
Ⓕ	Fixation prise jack	16455	1
Ⓖ	Vis	15348	2
Ⓗ	Circlips	16456	2
Ⓘ	Axe du vérin	16793	1
Ⓙ	Entretoise (ORCA/ORCA XL)	16450	1
Ⓚ	Circlip plastique	15344	2
Ⓛ	Axe de verrouillage gauche (ORCA/ORCA XL)	1470580	1
	Axe de verrouillage droit (ORCA/ORCA XL)	1470579	1
	Axe de verrouillage gauche (ORCA F)	1471059	1
	Axe de verrouillage droit (ORCA F)	1471058	1
Ⓜ	Relève-buste	1563010	1

## Démontage du relève-buste

1. Rétractez complètement la tige du vérin.
2. Pliez le relève-buste vers l'avant, décrochez-le et placez-le sur le plan de travail.

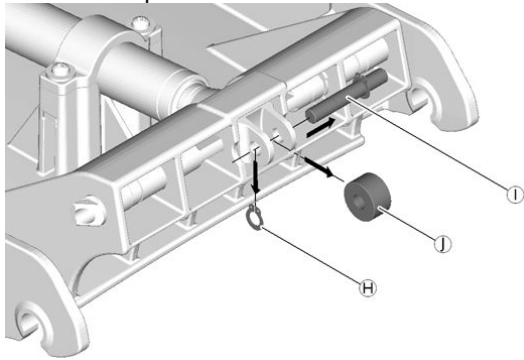


Fig. 4-1

3. Retirez d'un côté le circlips **H** avec la pince à circlips de l'axe **I**.
4. Poussez l'axe à travers l'ouverture du pied de la tige. ORCA / ORCA XL :
5. Retirez l'entretoise du pied de la tige.

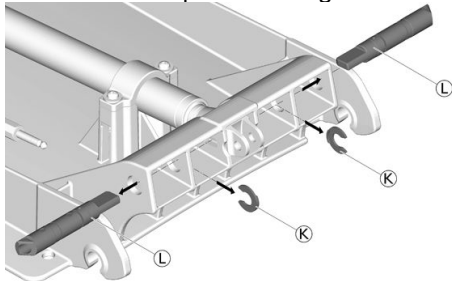


Fig. 4-2

6. Utilisez un tournevis pour retirer les circlips plastiques **K** des axes de verrouillage **L** et retirer les deux axes de verrouillage du relève-buste. ORCA F :
7. Déployez le vérin jusqu'à ce que les axes de verrouillage **L** soient complètement tirés. Utilisez un tournevis pour retirer les circlips plastiques **K** des axes de verrouillage et retirer les axes de verrouillage du relève-buste. Rétractez de nouveau le vérin. Pour toutes les versions :

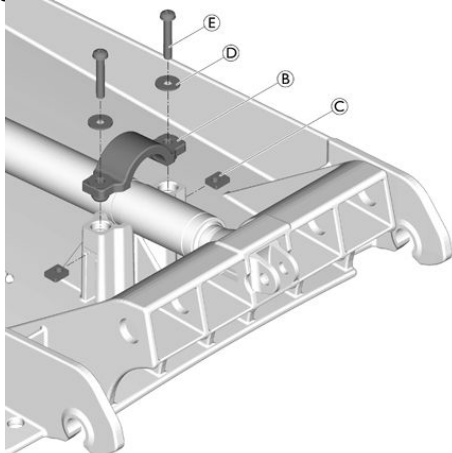


Fig. 4-3

8. Desserrez les vis **E** avec les rondelles **D** du collier de fixation du vérin **B** et retirez le collier.

9. Retirez les écrous plats **C**.

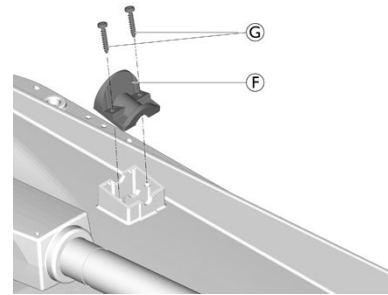


Fig. 4-4

10. Desserrez les vis **C** de la fixation de prise jack **F** et retirez la fixation.

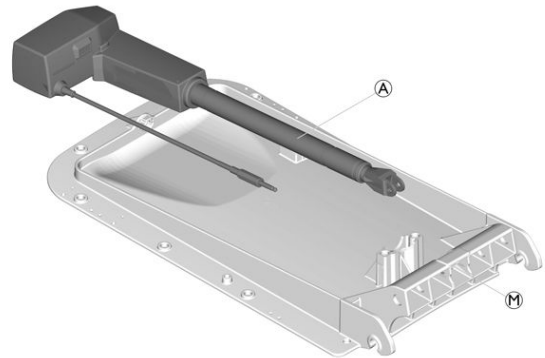
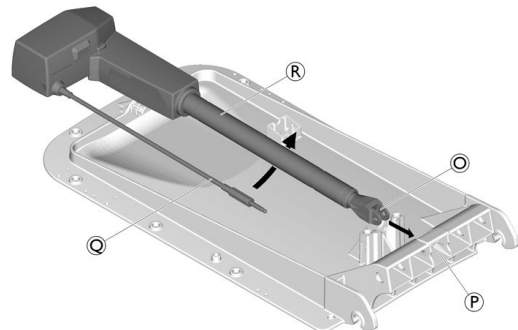


Fig. 4-5

11. Faites coulisser le vérin **A** légèrement vers l'avant hors de la partie transversale du relève-buste puis soulevez légèrement le corps du vérin et tirez-le hors du plot d'accroche du relève-buste **M**.
12. Stockez le vérin dans un endroit sûr.

## Fixation du relève-buste



1. Placez le vérin sur le relève-buste et faites-le coulisser dans la partie transversale inférieure **P**.



### IMPORTANT !

– Assurez-vous que la partie bombée du pied de la tige **C** est orientée vers le haut.

2. Faites passer le câble **Q** sous la tige du vérin **R**.

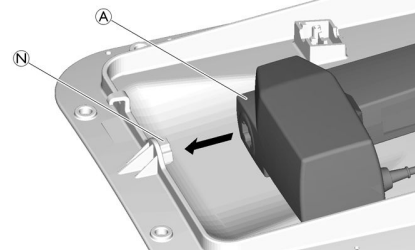


Fig. 4-6

3. Insérez le corps du vérin (A) dans le plot d'accroche (N) du relève-buste.

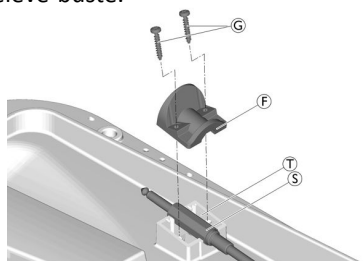


Fig. 4-7

4. Positionnez la fiche jack (S) dans le récepteur (T) du relève-buste.  
 5. Placez la fixation (F) au dessus et fixez-la en place avec les vis (G) (couple 1,5 Nm).  
 6. Alignez le pied de la tige en faisant tourner la tige du vérin de façon appropriée.

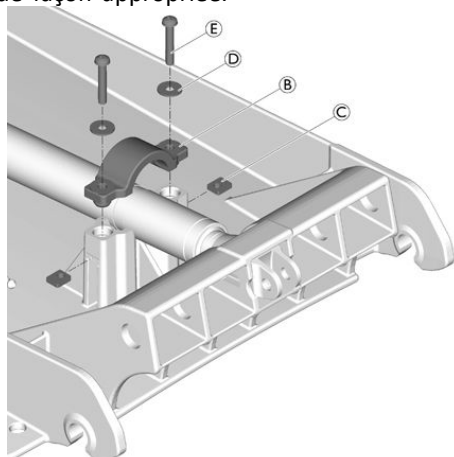



Fig. 4-8

7. Faites coulisser les écrous plats (C) dans l'ouverture latérale des deux côtés avec le côté lisse vers le haut.  
 8. Placez le collier de fixation (B) sur la tige du vérin.

 Assurez-vous que la surface élevée du collier de fixation du vérin se trouve vers la partie inférieure de relève-buste.

9. Utilisez les vis (E) et les rondelles (D) pour fixer le collier de fixation (couple 4,2 Nm).  
 ORCA / ORCA XL :

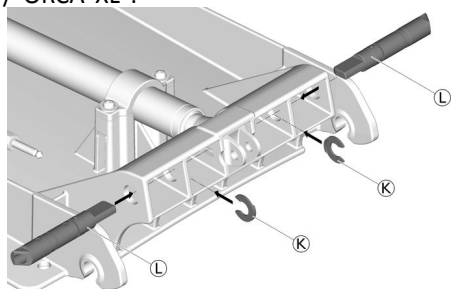


Fig. 4-9

10. Placez les axes de verrouillage droit et gauche (L) sur le relève-buste et fixez-les avec les circlips (K).

**IMPORTANT !**  
 – Assurez-vous que le « R » et le « L » sur les axes de verrouillage sont orientés vers le haut.  
 – Assurez-vous que les côtés plats des circlips sont orientés vers l'extérieur.

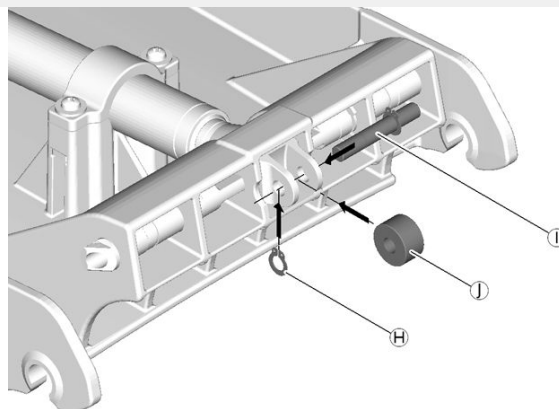
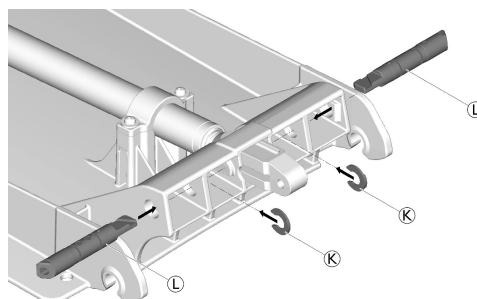


Fig. 4-10

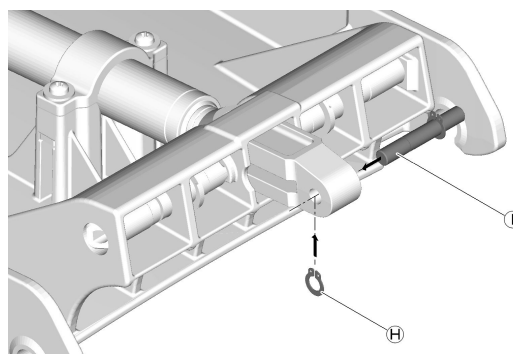
11. Utilisez une pince à circlips pour poser le circlips sur un côté de l'axe ou utilisez l'axe existant (I) avec un circlips monté.  
 12. Placez l'entretoise (I) dans la rainure du pied de la tige (ORCA / ORCA XL).  
 13. Faites coulisser l'axe à travers l'ouverture dans le pied de la tige et fixez avec un second circlips (H).

**IMPORTANT !**  
 – Assurez-vous que le circlips est engagé correctement.

ORCA F :



14. Fixez la télécommande et allongez le pied de la tige de 10 cm. Placez les axes de verrouillage gauche et droite dans le relève-buste et fixez-les avec les circlips. Les côtés plats des circlips sont orientés vers l'avant. Rétractez de nouveau le pied de la tige. Les axes de verrouillage sont de nouveau automatiquement tirés.



15. Utilisez une pince à circlips pour poser le circlips sur un côté de l'axe ou utilisez l'axe existant ① avec un circlips monté.
16. Faites coulisser l'axe à travers l'ouverture dans le pied de la tige et fixez avec un second circlips ②.

**! IMPORTANT !**  
 – Assurez-vous que le circlips est engagé correctement.

### 4.3 Démontage/fixation des croisillons

Difficulté : ●●○

Outil : ●

Pos.	Désignation	Référence	Quantité
①	Croisillons (ORCA / ORCA F) (ORCA XL)	16804 1471063	1
③	Goupille pour le patin	15105	4
④	Patin	16446	4
⑤	Goupille de blocage (ORCA / ORCA F) Goupille acier (ORCA XL)	16679 1471088	4
⑥	Circlips (ORCA XL)	1471089	4



**AVERTISSEMENT !**  
**Risque de coincement et d'écrasement des doigts et des mains**

– Faites attention lorsque vous travaillez dans la zone des croisillons en rapport avec le mécanisme de levage.



**IMPORTANT !**  
 – Remplacez les circlips ⑥ chaque fois qu'une réparation est effectuée.  
 – Remplacez les goupilles ③ et les goupilles de blocage ⑤ chaque fois qu'une réparation est effectuée.

#### Retrait

1. Rétractez complètement le vérin et retirez le relève-buste.
2. Appuyez sur le crochet rouge pour déployer les croisillons.

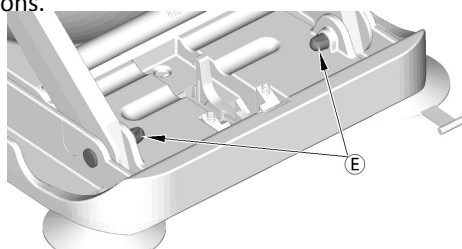
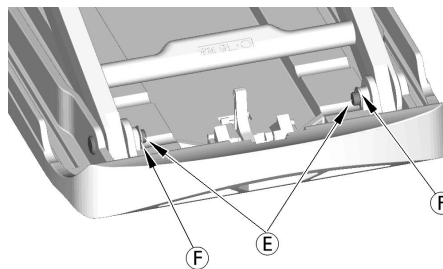


Fig. 4-11

3. Cassez les ergots sur les goupilles de blocage ⑤ ci-dessous de l'intérieur en utilisant un tournevis à tête plate, poussez les vers l'extérieur et retirez-les.



ORCA XL:

Retirez les circlips ⑥ des goupilles en acier ⑤, poussez vers l'extérieur les goupilles en acier et retirez-les.

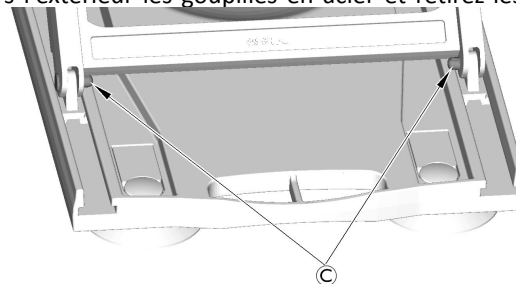


Fig. 4-12

4. Sortez l'embase des croisillons .
5. Cassez les goupilles des patins ③ ci-dessous de l'intérieur en utilisant un tournevis à tête plate, poussez vers l'extérieur les goupilles et retirez-les.

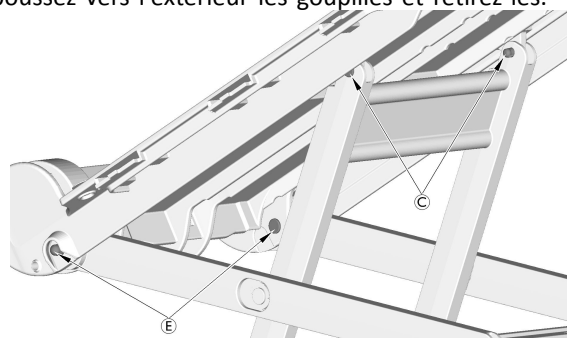
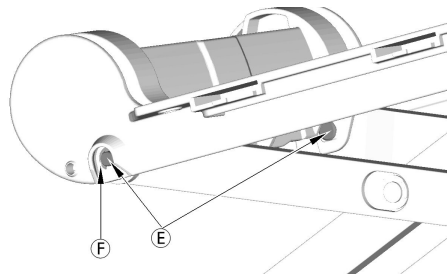


Fig. 4-13

6. Cassez les goupilles des patins ③ ci-dessus, qui relient les croisillons avant à la plaque d'assise.
7. Cassez les ergots des goupilles de blocage ⑤ ci-dessus, qui relient les croisillons arrière à la plaque d'assise, de l'extérieur en utilisant un tournevis à tête plate ; poussez les goupilles de blocage et retirez-les.



ORCA XL :

Retirez les circlips ⑥ des goupilles en acier ⑤, poussez les goupilles en acier et retirez-les.

#### Montage

1. Les croisillons sont montés sur la plaque d'assise et l'embase en ordre inverse de leur démontage.

## 4.4 Démontage/fixation de l'embase

Difficulté : ●○○

Outil : ●

Pos.	Désignation	Référence	Quantité
	Embase (ORCA) (ORCA XL / ORCA F)	1563011 1471054	1
Ⓐ	Clips de verrouillage	16448	1
Ⓑ	Crochet	16449	1
Ⓒ	Ressort à lames	15415	1
Ⓓ	Mécanisme de verrouillage droit (ORCA / ORCA XL) (ORCA F)	16792 1471056	1
Ⓔ	Mécanisme de verrouillage gauche (ORCA / ORCA XL) (ORCA F)	16791 1471057	1
Ⓕ	Ressort de compression pour le mécanisme de verrouillage (ORCA / ORCA XL)	16794	2
Ⓖ	Ventouses vissées à deux languettes (jeu)	15071	1
Ⓙ	Ventouses clipsées à une languette (jeu)	15072	1
Ⓚ	Clips rouge	15121	2

### Retrait

1. Placez l'embase sur le plan de travail avec la face inférieure vers le haut.

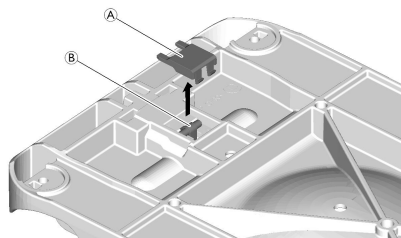


Fig. 4-14

2. Démontez le clips de verrouillage Ⓐ.
3. Démontez le crochet Ⓑ et le clips de verrouillage de l'embase.

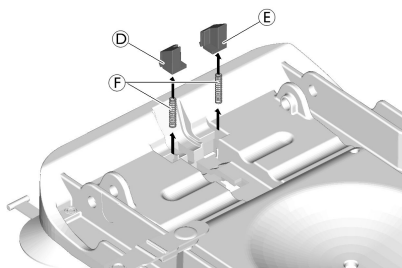


Fig. 4-15

4. Retournez l'embase.
5. Démontez le mécanisme de verrouillage droit Ⓓ et le mécanisme de verrouillage gauche Ⓔ de l'embase.

6. Démontez les ressorts Ⓕ.

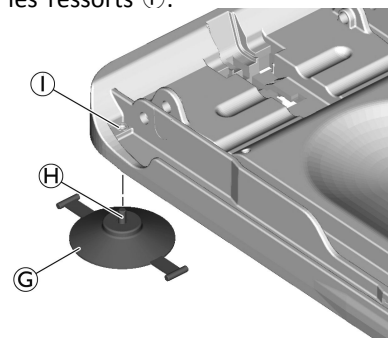


Fig. 4-16

7. Utilisez la vis Ⓗ pour démonter la ventouse Ⓖ de l'insert fileté Ⓙ.

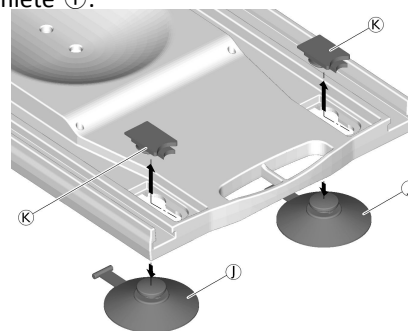


Fig. 4-17

8. Utilisez un tournevis à tête plate pour démonter les clips rouges Ⓚ.
9. Retirez les ventouses clipsées à une languette Ⓙ.
10. Retirez l'ancienne embase.

### Fixation

1. Placez la nouvelle embase sur le plan de travail.

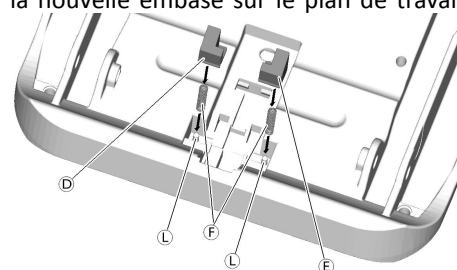


Fig. 4-18

2. Insérez les ressorts de compression Ⓕ dans les récepteurs Ⓛ de l'embase.
3. Enfoncez le mécanisme de blocage droit Ⓓ et le mécanisme de blocage gauche Ⓔ avec les ressorts de compression jusqu'à ce qu'ils soient engagés dans l'embase.

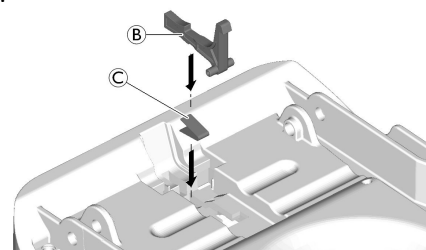


Fig. 4-19

4. Insérez le ressort à lames Ⓒ dans l'embase avec le côté ouvert face à l'arrière.
5. Insérez le crochet Ⓑ dans l'embase.

6. Retournez l'embase, en maintenant le crochet en place avec un doigt pour qu'il ne puisse pas tomber.

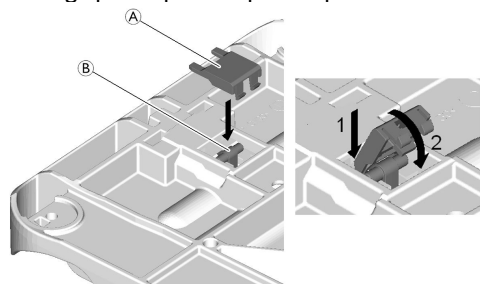


Fig. 4-20

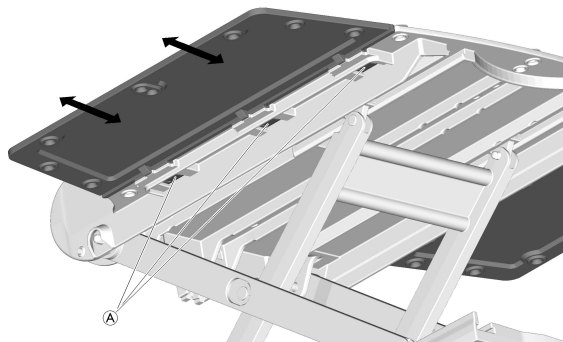
7. Insérez le clips de verrouillage A nez vers l'avant dans l'embase puis repoussez-le jusqu'à ce qu'il s'enclenche pour que le crochet B soit fixé.
8. Installez les ventouses une languette et deux languettes dans l'ordre inverse de la description du processus de démontage.

#### 4.5 Démontage/fixation des rabats latéraux

Difficulté : ●○○

Outil : —

Pos.	Désignation	Référence	Quantité
A	Rabat latéral	15892	2



#### Retrait

1. Appuyez sur les clips du rabat latéral A et retirez lentement le rabat latéral.

#### Fixation

1. Faites coulisser les clips du rabat latéral A de façon uniforme dans les fentes de la plaque d'assise jusqu'à ce qu'ils s'enclenchent.

#### 4.6 Remplacement de la télécommande

Difficulté : ●○○

Outil : —

Pos.	Désignation	Référence	Quantité
A	Télécommande	1470902	1

1. Débranchez la prise de la télécommande en soulevant la bague bleu de la fiche jack.
2. Placez la bague bleu de la nouvelle télécommande sur la fiche jack.
3. Vérifiez toutes les fonctions de l'élévateur de bain.



#### AVERTISSEMENT !

- La télécommande ne doit être remplacée que dans son ensemble.
- N'ouvrez pas et n'essayez pas de réparer la télécommande.



Veuillez contacter le service clientèle Invacare® par téléphone ou commander une nouvelle télécommande en utilisant le catalogue des pièces de rechange électroniques à l'adresse [www.invacare.fr](http://www.invacare.fr).



---

## Innehållsförteckning

---

ÅTERFÖRSÄLJARE: Behåll den här manualen. Procedurerna i den här manualen får ENDAST utföras av en kvalificerad tekniker.

<b>1 Allmän information</b>	<b>34</b>
1.1 Säkerhetsråd	34
1.2 Säkerhets- och monteringsinstruktioner	34
<b>2 Produktsäkerhet</b>	<b>35</b>
2.1 Periodiska kontroller	35
2.1.1 Visuell kontroll	35
2.1.2 Funktionskontroll	35
2.1.3 Kontrollera elsäkerhet	35
2.1.4 Checklista	35
2.2 Service	35
<b>3 Rekonditionering</b>	<b>36</b>
3.1 Rengöring och desinficering	36
<b>4 Reparation</b>	<b>37</b>
4.1 Reservdelar	37
4.2 Ta bort/montera ryggstödet	37
4.3 Ta bort/montera saxlyften	39
4.4 Ta bort/montera basplattan	40
4.5 Ta bort/montera sidoflikarna	42
4.6 Byta ut handkontrollen	42

# 1 Allmän information

Den här servicemanualen innehåller teknisk information om upprätthållande av produktsäkerhet, renovering och reparation av Aquatec® badkarslyft.

## 1.1 Säkerhetsråd



### VARNING!

#### Risk för olycka och allvarlig skada.

Om en badkarslyft är felaktig kan den orsaka olyckor och allvarliga skador. Av denna anledning krävs regelbundna kontroller och service av produkten.



### VIKTIGT!

- Produkten måste rengöras, desinficeras och kontrolleras (se avsnitt 2.1 *Periodiska kontroller, Sida 35*) innan den återanvänds. Sugkopparna måste bytas ut.
- Kontroll, service, rekonditionering och reparationer av badkarslyftar får endast utföras av auktoriserade återförsäljare.

## 1.2 Säkerhets- och monteringsinstruktioner

Dessa säkerhetsinstruktioner är avsedda att hjälpa till att förhindra olyckor under arbetet och måste följas under alla omständigheter.

All personal som kommer i kontakt med kontaminerade produkter måste regelbundet besöka företagsläkare. Arbetskläder och personlig skyddsutrustning måste vara tillgängliga i tillräcklig mängd och i gott skick. Verksamt hand och ytdesinficeringsmedel måste finnas.

### Före all inspektion eller reparation

- Läs denna reparationsmanual och tillhörande bruksanvisning noga och följ instruktionerna.

### Personlig skyddsutrustning

#### Skyddsskor

Badkarslyften och några av dess komponenter är tunga. Om dessa delar tappas kan de orsaka fotskador.

- Använd alltid skyddsskor under arbetet.

### Allmän säkerhetsinformation samt monterings- och borttagningsinformation



#### FÖRSIKTIGT!

##### Klämrisk

- En del komponenter, t.ex. drivenheten, sitsen m.fl. är tunga. De kan därför utgöra en risk för handskador.
- Var uppmärksam på att vissa komponenter är tunga. Detta gäller särskilt när drivenheter, sits eller ryggstöd ska tas bort.



#### FÖRSIKTIGT!

##### Risk för personskada och skada på badkarslyften föreligger om servicearbete utförs felaktigt eller otillräckligt.

- Använd endast hela verktyg som är i gott skick.
- Efter slutfört arbete och innan badkarslyften startas ska alla kopplingar undersökas för att fastställa att de är låsta.
- Efter slutfört arbete och innan badkarslyften startas ska alla delar undersökas för att fastställa att de är ordentligt kopplade.
- Utför alltid en testkörning efter slutfört arbete.

## 2 Produktsäkerhet

### 2.1 Periodiska kontroller



**VIKTIGT!**

Produkten kräver regelbundna kontroller för att säkerställa produktsäkerhet. Angivna intervall ska beaktas.



**VARNING!**

– Badkarslyften bör kontrolleras minst en gång per 24 månader (i enlighet med EN ISO 10535), och sugkopparna måste bytas ut.  
– Kontrollera produktens elsäkerhet enligt nationella krav.

#### 2.1.1 Visuell kontroll

1. Undersök sittplattan, ryggplattan och basplattan för skador och säkerställ att de är hela.
2. Kontrollera saxlyft och glidklossar i skenan, genom att lyfta dem och föra ihop dem igen.
3. Kontrollera skruvarna i sittplattans/saxlyftets och basplattans/saxlyftets lager.
4. Undersök handkontrollen för eventuell skada. Byt ut handkontrollen om dess kåpa är skadad eller spräckt.
5. Undersök den anslutningsbara laddaren för eventuell skada.

#### 2.1.2 Funktionskontroll

1. Kontrollera med en spänningsmätare att laddaren har en spänning i öppen krets på mellan 24 V och 26 V vid kontaktens laddningspoler.
2. Kontrollera att handkontrollen fungerar genom att trycka på stopp- och riktningssknappen samtidigt (laddningslampan tänds). Om handkontrollen är fullt laddad måste det minsta antalet lyft med badkarslyften med maximal belastning kunna uppnås utan omladdning (ORCA, ORCA F: 5 lyft, ORCA XL: 4 lyft).
3. Höj och sänk badkarslyften under maximal belastning för att kontrollera dess funktioner, och lyssna efter ovanliga missljud.

#### 2.1.3 Kontrollera elsäkerhet



**VIKTIGT!**

Regelbundna elkontroller i enlighet med EN 62353 (VDE0751) måste utföras enligt nationella krav.

1. Inspektera laddaren och handkontrollen för skador på hölje eller kabel, testa funktioner och undersök för läckström.
2. Undersök drivenheten för skada på hölje eller kabel.


### 2.1.4 Checklista

<b>Allmän inspektion</b>	☺	☹
Är enheten i gott skick och är den komplett (enhet och tillbehör)?	<input type="checkbox"/>	<input type="checkbox"/>
Är serienummeretiketten lätt läsbar och sitter den fast ordentligt på produkten?	<input type="checkbox"/>	<input type="checkbox"/>
Har senare ändringar gjorts på produkten?	<input type="checkbox"/>	<input type="checkbox"/>
Är enheten fri från skador och försvagningar av alla slag? Fungerar enheten som den ska under nominell belastning?	<input type="checkbox"/>	<input type="checkbox"/>
Fungerar enheten fullt i enlighet med bruksanvisningen? Följer en bruksanvisning med produkten?	<input type="checkbox"/>	<input type="checkbox"/>
Fungerar all säkerhetsutrustning som avsett?	<input type="checkbox"/>	<input type="checkbox"/>
Är enheten elsäker i tillämplig utsträckning?	<input type="checkbox"/>	<input type="checkbox"/>
Är alla säkerhetsrelaterade anslag tillräckligt läsbara? Finns en serienummeretikett, och sitter den fast ordentligt på stödytan?	<input type="checkbox"/>	<input type="checkbox"/>
<b>Uteslutande av fel</b>	☺	☹
Har alla fel som hittats åtgärdats, och har felaktiga komponenter bytts ut?	<input type="checkbox"/>	<input type="checkbox"/>
Fungerar nu enheten som den ska?	<input type="checkbox"/>	<input type="checkbox"/>
Fungerar nu all säkerhetsutrustning som avsett?	<input type="checkbox"/>	<input type="checkbox"/>
Finns nu alla säkerhetsrelaterade information på plats?	<input type="checkbox"/>	<input type="checkbox"/>
<b>Slutföra kontroller</b>	☺	☹
Har enheten rengjorts och desinficerats?	<input type="checkbox"/>	<input type="checkbox"/>
Är enheten tekniskt och funktionsmässigt säker?	<input type="checkbox"/>	<input type="checkbox"/>
Är enheten elsäker i tillämplig utsträckning?	<input type="checkbox"/>	<input type="checkbox"/>
Är serienummeretiketten lätt läsbar och sitter den fast ordentligt på produkten?	<input type="checkbox"/>	<input type="checkbox"/>
Har enheten packats korrekt?	<input type="checkbox"/>	<input type="checkbox"/>

### 2.2 Service

Om rengörings- och säkerhetsinstruktioner följs behöver produkten inget underhåll.

### 3 Rekonditionering

 Beträffande rekonditionering av Invacare®-produkter rekommenderar vi alltid att tillgängliga InvaService-alternativ från Invacare® används. Kontakta Invacare®-dotterbolaget i ditt land för vidare information. Kontaktadresser finns på baksidan av denna servicemanual.

Innan beslut om rekonditionering fattas bör man titta över vilka delar som behöver bytas/åtgärdas, samt produktens livscykel ur ekonomisk och ekologisk synpunkt. Man ska då beakta den risk som är förknippad med rekonditioneringen och användningen av den medicinska enheten, samt kostnad och kvalitetssäkring, eller om det vore bättre att avyttra den medicinska enheten.

Rekonditionering av produkten omfattar följande punkter:

- 3.1 Rengöring och desinficering, Sida 36.
- 2.1 Periodiska kontroller, Sida 35.
- 2.2 Service, Sida 35.



#### VIKTIGT!

- Fortsätt om möjligt att använda den gamla serienumeretiketten. Om detta inte är möjligt måste den nya serienumeretiketten innehålla samma information och det gamla serienumret (byte av reservdelar med serienummer).
- Om skruvar med gänglås lossas måste de ersättas med nya sådana.

#### 3.1 Rengöring och desinficering

Metoder för manuell rengöring och desinficering måste alltid utföras enligt dokumenterade arbetsinstruktioner och med medel och rutiner som har fastställts vara effektiva och anpassade till den medicinska enheten. Avseende mekaniska rengörings- och desinficeringsmetoder kan det fastställas procedurmässigt att nödvändiga parametrar för att uppnå kvantifierbara rengörings- och desinficeringsresultat uppfylls. För att säkerställa manuella och/eller mekaniska konditioneringsmetoders fortsatta kvalitet måste det visas genom åtminstone periodiska kontroller att metoden fortfarande är effektiv och att inga oavsiktliga ändringar har inträtt.

Konditionering ska avslutas med dokumenterat godkännande av användning av den medicinska enheten. Åtgärdskedjan måste optimeras, eftersom svagheter i ett av de ingående enskilda stegen äventyrar det övergripande tillfredsställande resultatet. Transport och förvaring får inte ha negativ inverkan på den konditionerade medicinska enhetens egenskaper. Under transport måste

kontaminering av en konditionerad eller ny medicinsk enhet förebyggas fram till dess användning genom att hålla rena/orena enheter strikt åtskilda.

Alla rengöringsmedel och desinfektionsmedel som används måste vara effektiva, kompatibla med varandra och skonsamma mot de material som används. Tillämpliga rengörings- och desinficeringsbad måste bytas ut regelbundet i angivna intervall för att säkerställa dess effektivitet. Avseende kontakttid och koncentration måste de desinfektionsmedel som används överensstämma med listan över desinfektionsmedel som utfärdas av Verbund für Angewandte Hygiene e.V. (<http://vah.data-room.de> – den tyska organisationen för tillämpad hygien) och Deutsche Vereinigung zur Bekämpfung der Viruskrankheiten e.V. ([www.dvv-ev.de](http://www.dvv-ev.de) – tysk organisation för bekämpning av virussjukdomar). Rengörings- och desinfektionsmedel måste väljas i enlighet med tillgänglig utrustning och faciliteter i det enskilda fallet för att säkerställa ett tillförlitligt rengöringsresultat.

Utbytta produkter och komponenter måste avyttras enligt deras respektive materiella sammansättning.

#### Rengöringsförberedelse

1. Lossa ryggstödet från sittplattan.
2. Täck elektroniska kontakter med skyddslock för att förhindra att vatten tränger in.

#### Rengöring

1. Avlägsna eventuell ytlig kontamination/smitta – innan vidare åtgärder.
2. Behandla badkarslyftens alla komponenter med rengöringsmedel och skölj dem med rent vatten.
3. Byt ut överdrag eller tvätta dem i tvättmaskin vid en högsta temperatur på 60 °C.



#### VIKTIGT!

##### Risk för skador

- Hög tvättemperatur kan orsaka krympning.
- Torka inte överdragen i torktumlare.

4. Använd ett allrengöringsmedel vid manuell rengöring av handkontroll, överdrag och laddare.
5. Låt badkarslyftens alla komponenter lufttorka, eller torka dem med handdukar.
6. Kontrollera sugkoppar och byt ut dem vid behov.

#### Desinficering

1. Desinficera sittytan, ryggstödet framsida och handkontrollen genom att torka av dem med desinfektionsmedlet.
2. Låt badkarslyftens alla komponenter lufttorka tills produktens ytor är fria från ytlig fukt.

## 4 Reparation

Reparation fordrar en hög grad av expertis. Därför är de olika åtgärderna i dessa monteringsanvisningar indelade i tre kategorier:

Krav	Symbol
Lätt – teknisk förståelse krävs	●○○
Medel – tekniskt kunnande krävs	●●○
Svårt – tekniskt kunnande och expertis inom montering av badkarslyftar krävs	●●●

Nödvändiga verktyg och deras storlek anges före instruktionerna.

Verktyg	Symbol
Stjärnskruvmejsel	+
Spårskruvmejsel	—
Torxskruvmejsel	✳
Låsringstång	○



### VARNING!

– Undvik risk för kontamination genom att rengöra och desinficera badkarslyften innan reparation utförs.



### VIKTIGT!

- Reparation får endast utföras av auktoriserad återförsäljare.
- Fortsätt om möjligt att använda den gamla serienummeretiketten. Om detta inte är möjligt måste den nya serienummeretiketten innehålla samma information och det gamla serienumret (byte av reservdelar med serienummer).
- När komponenter byts ut är det viktigt att se till att dessa kan spåras.
- Om skruvar med gänglås lossas måste de ersättas med nya sådana.
- Om skruvar med låsringar lossats måste de ersättas med nya sådana.
- Delar som skadas vid borttagning måste bytas ut mot nya.

### 4.1 Reservdelar



### VARNING!

Endast originalreservdelar får användas för alla reparationer. I annat fall blir garantin och försäkringen om produktens överensstämmelse ogiltiga.

Alla reservdelar måste beställas från Invacare kundserviceavdelning. En elektronisk reservdelskatalog finns på [www.invacare.se](http://www.invacare.se).

### 4.2 Ta bort/montera ryggstödet

Svårighetsgrad: ●●○

Verktyg: +, ✳, ○

Pos.	Beteckning	Artikelnr	Antal
Ⓐ	Drivenhet (ORCA) (ORCA F) (ORCA XL)	16782 1471060 1471062	1
Ⓑ	Rörklammer	16778	2 (före maj 2015) 1 (fr.o.m. maj 2015)
Ⓒ	Honkoppling för drivenhet	16779	4 (före maj 2015) 2 (fr.o.m. maj 2015)
Ⓓ	Bricka	16780	4 (före maj 2015) 2 (fr.o.m. maj 2015)
Ⓔ	Monteringskruv	16781	4 (före maj 2015) 2 (fr.o.m. maj 2015)
Ⓕ	Kontakthållare	16455	1
Ⓖ	Skruvar	15348	2
Ⓗ	Låsring	16456	2
Ⓘ	Axel	16793	1
Ⓙ	Rulle (ORCA/ORCA XL)	16450	1
Ⓚ	Låsring	15344	2
Ⓛ	Skruv vänster (ORCA/ORCA XL)	1470580	1
	Skruv höger (ORCA/ORCA XL)	1470579	1
	Skruv vänster (ORCA F)	1471059	1
	Skruv höger (ORCA F)	1471058	1
Ⓜ	Ryggstöd	1563010	1

#### Ta bort ryggstödet

1. Dra in spindelröret helt.
2. Fäll ryggstödet framåt, haka av det och lägg det på arbetsbänken.

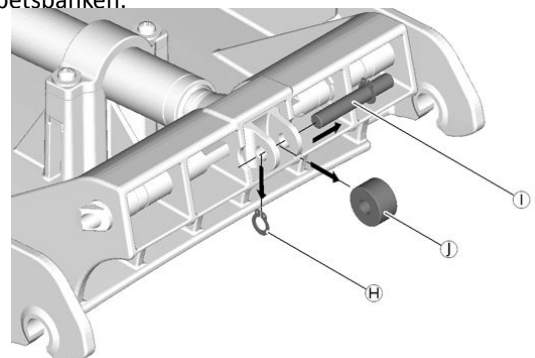


Fig. 4-1

3. Lossa ena sidan av låsringen Ⓜ med låsringstången från axeln Ⓘ.
4. Skjut axeln genom öppningen i spindelfoten.  
ORCA/ORCA XL:

5. Ta bort rullen från spindelfoten.

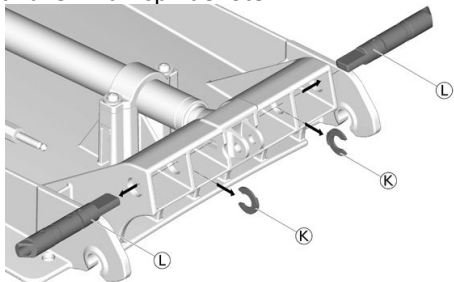


Fig. 4-2

6. Ta bort låsringen **K** från skruvarna **L** med en skruvmejsel och ta bort båda skruvarna från ryggstödet.

ORCA F:

7. Skjut drivenheten tills skruvarna **L** har skjutits ut helt. Ta bort låsringen **K** från skruvarna med en skruvmejsel och ta bort skruvarna från ryggstödet. Dra in drivmekanismen.

För alla versioner:

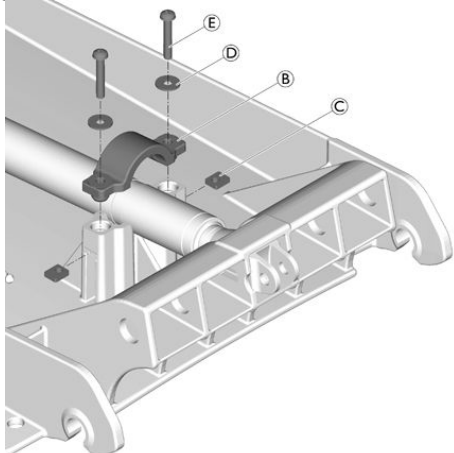


Fig. 4-3

8. Lossa skruvarna **E** med brickorna **D** från rörklammern **B** och ta bort den.

9. Ta bort honkopplingarna **C**.

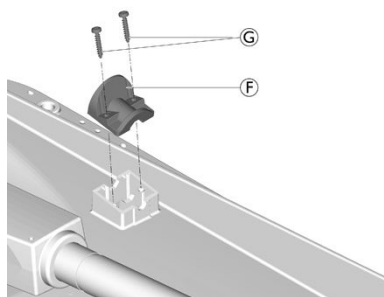


Fig. 4-4

10. Lossa skruvarna **G** från plugginfästningen **F** och ta bort den.

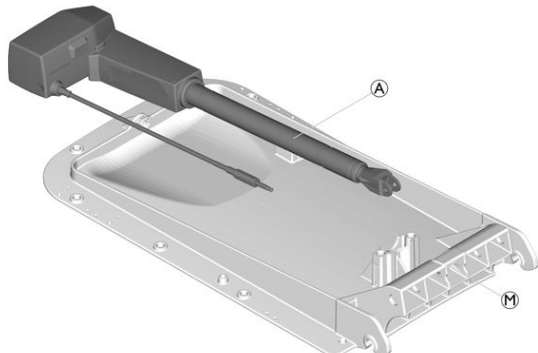
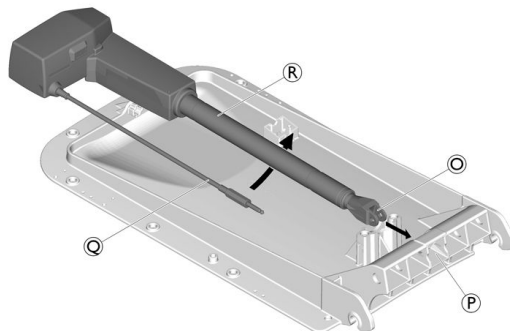


Fig. 4-5

11. Skjut ut drivenheten **A** en aning ur kors sprinten i ryggstödet, lyft sedan bakkdelen något på motorn och dra ut den ur spåret i ryggstödet **M**.
12. Förvara drivenheten på ett säkert ställe.

### Montera ryggstödet



1. Placera drivenheten på ryggstödet och skjut den genom det nedre spåret **P**.



#### VIKTIGT!

– Se till att böjen på spindelfoten **Q** är vänd uppåt.

2. För in kabeln **Q** under drivröret **R**.

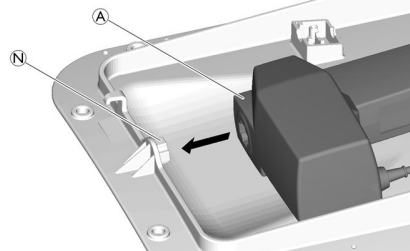


Fig. 4-6

3. Infoga drivenhetens huvudända **A** med spåret i kors sprinten **N** på ryggstödet.

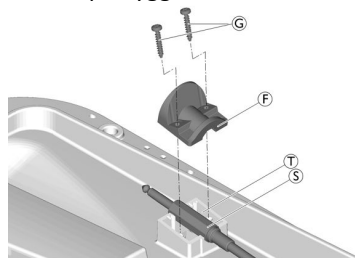


Fig. 4-7

4. Placera kontakten **S** i uttaget **T** på ryggstödet.
5. Sätt tillbaka plugginfästningen **F** och skruva fast den med skruvarna **G** (vridmoment 1,5 Nm).

6. Rikta in spindelfoten genom att vrida drivröret efter behov.

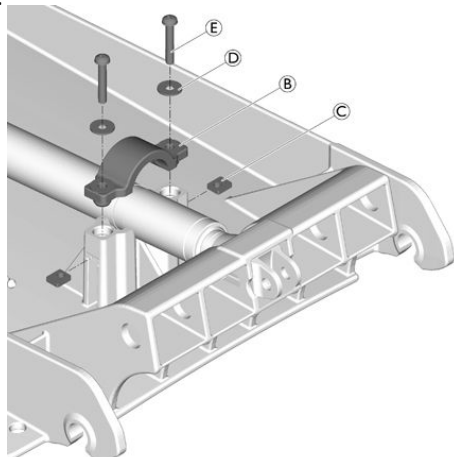


Fig. 4-8

7. Skjut in honkopplingen © i sidoöppningen på båda sidor med den släta sidan vänd uppåt.  
8. Sätt rörklammern © över drivröret.  
i Se till att rörklammerns förhöjda del är vänd mot ryggstödet
9. Fäst rörklammern med skruvarna © och brickorna © (vridmoment 4,2 Nm).  
ORCA/ORCA XL:

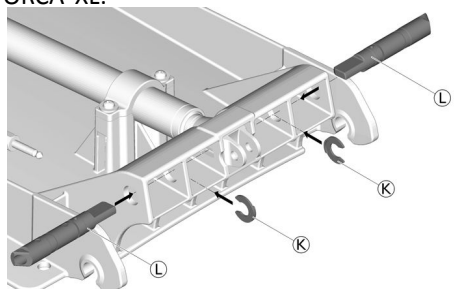


Fig. 4-9

10. Sätt tillbaka vänster- och högerskruvarna © i ryggstödet och lås dem med låsringar ©.

- !** **VIKTIGT!**  
– Se till att "R" och "L" på skruvarna är vända uppåt.  
– Se till att låsringarnas flata sidor är vända utåt.

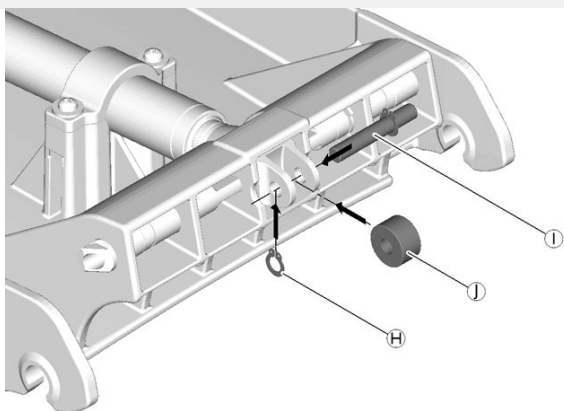


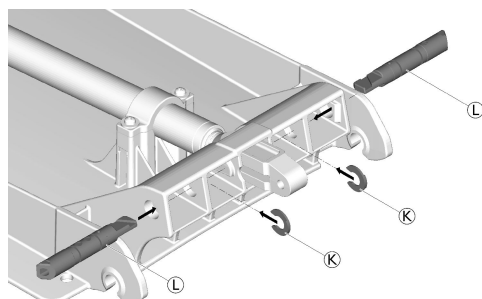
Fig. 4-10

11. Fäst ena sidan av låsringen på axeln med en låsringstång eller använd den befintliga axeln © med en låsring på.

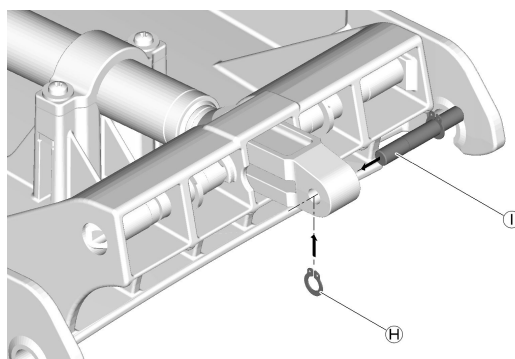
12. Sätt rullen © i spåret på spindelfoten (ORCA/ORCA XL).  
13. Skjut axeln genom öppningen i spindelfoten och rullen och lås med en andra låsring ©.

- !** **VIKTIGT!**  
– Kontrollera att låsringen fäster ordentligt.

ORCA F:



14. Sätt på handkontrollen och skjut ut spindelfoten 10 cm. Sätt vänster- och högerskruvarna i ryggstödet och lås dem med låsringar. Låsringarnas flata sidor ska vara vända inåt. Dra in spindelfoten. Skruvarna dras in igen automatiskt.



15. Fäst ena sidan av låsringen på axeln med en låsringstång eller använd den befintliga axeln © med en låsring på.  
16. Skjut axeln genom öppningen i spindelfoten och lås med en andra låsring ©.

- !** **VIKTIGT!**  
– Kontrollera att låsringen fäster ordentligt.

### 4.3 Ta bort/montera saxlyften

Svårighets- ●●○  
grad:

Verktyg: ●

Pos.	Beteckning	Artikelnr	Antal
Ⓐ	Saxlyft (ORCA/ORCA F) (ORCA XL)	16804 1471063	1
©	Skruv till glidkutsen	15105	4
©	Glidkuts	16446	4
©	Låsringsskruv (ORCA/ORCA F) Stålskruv (ORCA XL)	16679 1471088	4
©	Låsring (ORCA XL)	1471089	4

**VARNING!**

**Risk för att fastna med och klämma fingrarna och händerna**

– Var försiktig när arbete utförs i närheten av saxlyften i anslutning till lyftmekanismen.

**VIKTIGT!**

- Byt ut låsringarna ⑥ varje gång reparationsarbete utförs.
- Byt ut skruvarna ③ och låsskruvarna ⑤ varje gång reparationsarbete utförs.

**Borttagning**

1. Dra ut drivenheten helt och ta bort ryggstödet.
2. Tryck ned den röda spärren för att öppna saxlyften.

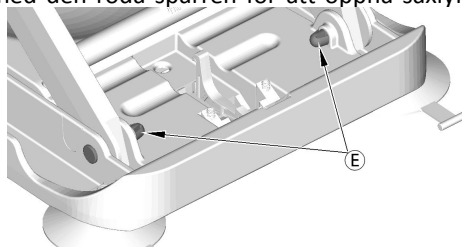
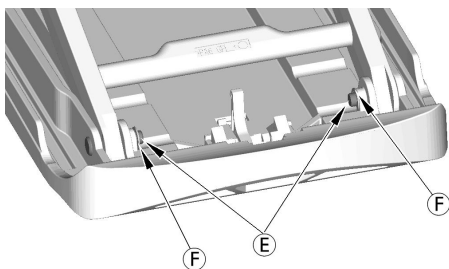


Fig. 4-11

3. Bryt av pinnarna på låsskruvarna, ⑤ nedan, från insidan med en spårskruvmejsel, tryck ut skruvarna och ta bort dem.



ORCA XL:

ta bort låsringarna ⑥ från stålskruvarna ⑤, tryck ut stålskruvarna och ta bort dem.

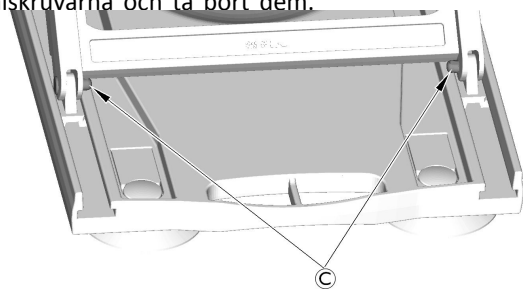


Fig. 4-12

4. Ta bort basplattan från saxlyften .

5. Bryt av pinnarna till glidkutsarna, ③ nedan, från insidan med en spårskruvmejsel, tryck ut skruvarna och ta bort dem.

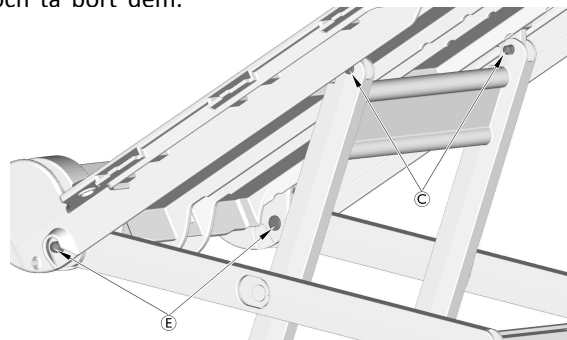
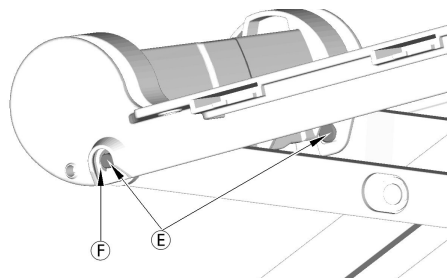


Fig. 4-13

6. Bryt av pinnarna till glidkutsarna, ③ ovan, som förbinder saxlyften med sittplattan.
7. Bryt av låsskruvarnas pinnar, ⑤ ovan, som ansluter den bakre saxlyften till sittplattan från utsidan med en spårskruvmejsel, tryck in låsskruvarna och ta bort dem.



ORCA XL:

ta bort låsringarna ⑥ från stålskruvarna ⑤, tryck in stålskruvarna och ta bort dem.

**Montering**

1. Saxlyften monteras på sittplattan och basplattan som demonteringen i omvänd ordning.

**4.4 Ta bort/montera basplattan**

Svårighetsgrad: ●○○

Verktyg: ●

Pos.	Beteckning	Artikelnr	Antal
	Basplatta (ORCA) (ORCA XL/ORCA F)	1563011 1471054	1
Ⓐ	Motorfäste nedre	16448	1
Ⓑ	Spärr	16449	1
Ⓒ	Bladfjäder	15415	1
Ⓓ	Höger låsmekanism (ORCA/ORCA XL) (ORCA F)	16792 1471056	1
Ⓔ	Vänster låsmekanism (ORCA/ORCA XL) (ORCA F)	16791 1471057	1
Ⓕ	Tryckfjäder till låsmekanism (ORCA/ORCA XL)	16794	2
Ⓖ	Sugkoppar med två flikar (set)	15071	1
Ⓙ	Sugkoppar med en flik (set)	15072	1
Ⓚ	Sugkopp, röd	15121	2



**Borttagning**

1. Lägg basplattan på arbetsbänken med undersidan vänd uppåt.

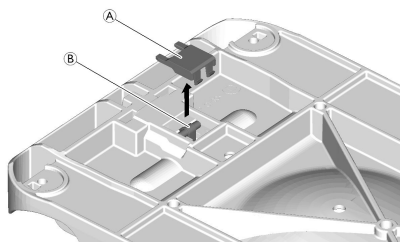


Fig. 4-14

2. Ta bort nedre motorfästet **A**.
3. Ta bort spärren **B** och bladfjäders från basplattan.

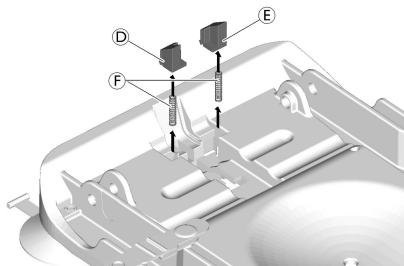


Fig. 4-15

4. Vänd på basplattan.
5. Ta bort höger låsmekanism **D** och vänster låsmekanism **E** från basplattan.
6. Ta bort tryckfjädrarna **F**.

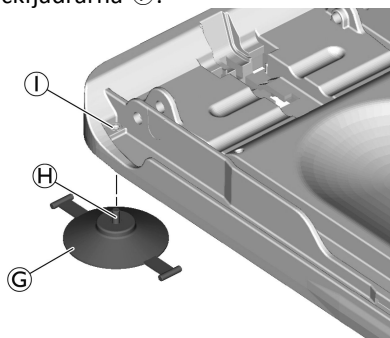


Fig. 4-16

7. Använd skruven **H** till att ta bort sugkoppen **G** från den gängade hylsan **I**.

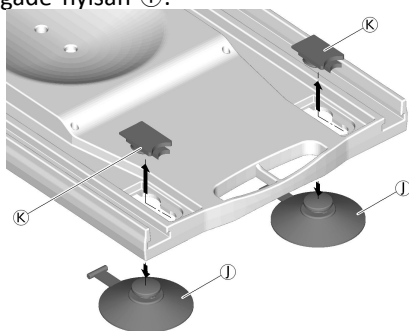


Fig. 4-17

8. Ta bort sugkopparna **K** med en spårskruvmejsel.
9. Ta bort sugkopparna med en flik **J**.
10. Ta bort den gamla basplattan.

**Montering**

1. Lägg den nya basplattan på arbetsbänken.

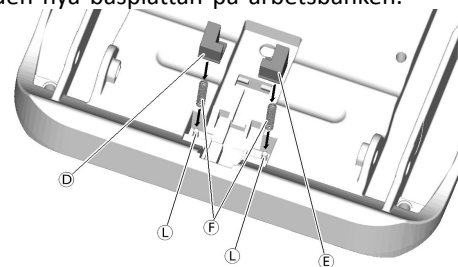


Fig. 4-18

2. Sätt i tryckfjädrarna **F** i ingångarna **L** på basplattan.
3. Tryck ned höger låsmekanism **D** och vänster låsmekanism **E** tillsammans med tryckfjädrarna tills de hakar i basplattan.

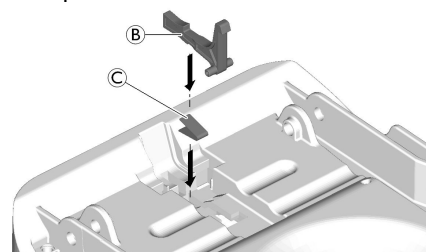


Fig. 4-19

4. Sätt i bladfjädersn **C** i basplattan med den öppna sidan vänd bakåt
5. Sätt i spärren **B** i basplattan.
6. Vänd på basplattan medan du håller spärren på plats med ett finger så att den inte ramlar ut.

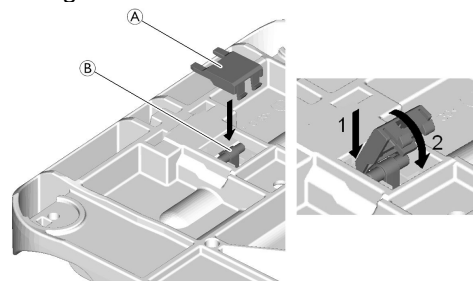


Fig. 4-20

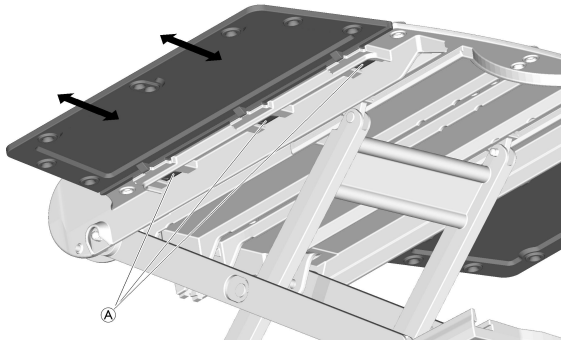
7. Sätt i motorinfästningen **A** med nosen först i basplattan och tryck den bakåt tills den hakar i så att spärren **B** låses.
8. Montera sugkopparna med en och två flikar enligt beskrivningen för borttagning, men i omvänd ordning.

## 4.5 Ta bort/montera sidoflikarna

Svårighets-  
grad: ●○○

Verktyg: —

Pos.	Beteckning	Artikelnr	Antal
Ⓐ	Sidoflik	15892	2



### Borttagning

1. Tryck in klämmorna på sidoflik Ⓐ och dra sakta ut den.

### Montering

1. Skjut in klämmorna på sidoflik Ⓐ jämnt i springorna på sittplattan tills de hakar i.

## 4.6 Byta ut handkontrollen

Svårighets-  
grad: ●○○

Verktyg: —

Pos.	Beteckning	Artikelnr	Antal
Ⓐ	Handkontroll	1470902	1

1. Dra ut handkontrollens kontakt med det blå höljet ur stiftkontakten.
2. Sätt den nya handkontrollens blå hölje på stiftkontakten.
3. Kontrollera badkarslyftens alla funktioner.



### ! VARNING!

- Handkontrollen ska endast bytas ut som komplett komponent.
- Försök inte öppna eller reparera handkontrollen.



Kontakta Invacare® kundservice per telefon eller beställ en ny handkontroll i den elektroniska reservdelskatalogen på [www.invacare.de](http://www.invacare.de).

---

## Innholdsfortegnelse

---

FORHANDLERE: Behold denne håndboken. Prosedyrene i denne håndboken MÅ utføres av en kvalifisert tekniker.

<b>1 Generell informasjon</b> . . . . .	<b>44</b>
1.1 Sikkerhetsråd . . . . .	44
1.2 Sikkerhets- og monteringsinstruksjoner . . . . .	44
<b>2 Produktsikkerhet</b> . . . . .	<b>45</b>
2.1 Periodiske kontroller . . . . .	45
2.1.1 Visuell kontroll. . . . .	45
2.1.2 Funksjonssjekk. . . . .	45
2.1.3 Kontrollere elektrisk sikkerhet. . . . .	45
2.1.4 Sjekkliste . . . . .	45
2.2 Service . . . . .	45
<b>3 Overhaling</b> . . . . .	<b>46</b>
3.1 Rengjøring og desinfisering . . . . .	46
<b>4 Reparasjon</b> . . . . .	<b>47</b>
4.1 Reservedeler . . . . .	47
4.2 Fjerne/montere rygglenet . . . . .	47
4.3 Fjerne/montere saksløftet . . . . .	49
4.4 Fjerne/montere bunnplaten . . . . .	50
4.5 Fjerne/montere sideklaffene . . . . .	52
4.6 Bytte ut håndkontrollen. . . . .	52

# 1 Generell informasjon

Denne servicehåndboken inneholder teknisk informasjon om opprettholdelse av produktsikkerhet, overhaling og reparasjon av Aquatec®-badekarheiser.

## 1.1 Sikkerhetsråd



### ADVARSEL!

#### Fare for ulykker og alvorlige personskader.

Hvis en badekarheis er defekt, kan det føre til ulykker og alvorlige personskader. Produktet krever regelmessige kontroller, og service er påkrevd på grunn av dette.



### VIKTIG!

- Produktet må rengjøres og desinfiseres, og en kontroll (se avsnitt 2.1 *Periodiske kontroller, side 45*) er påkrevd før gjenbruk. Sugekoppene må skiftes ut.
- Kontroller og service, overhaling og reparasjon av badekarheiser kan kun utføres av teknikere.

## 1.2 Sikkerhets- og monteringsinstruksjoner

Disse sikkerhetsinstruksjonene skal bidra til å unngå ulykker under arbeid og må følges under alle omstendigheter.

Alle ansatte som kommer i kontakt med kontaminerte produkter, må jevnlig rådføre seg med bedriftslegen. Arbeidstøy og personlig verneutstyr må være tilgjengelig i nødvendige mengder og være i forsvarlig stand. Pålitelig hånd- og overflatedesinfeksjon må sikres.

### Før alle inspeksjoner eller reparasjoner

- Les denne reparasjonshåndboken og den tilhørende bruksanvisningen nøye, og følg instruksjonene.

## Personlig verneutstyr

### Vernesko

Badekarheisen og noen av komponentene er veldig tunge. Hvis disse delene mistes fra en høyde, kan de forårsake skader på føttene.

- Bruk vernesko til enhver tid når du arbeider.

### Generell sikkerhetsinformasjon samt informasjon om installasjon og avmontering



### FORSIKTIG!

#### Klemfare

Forskjellige komponenter, for eksempel drivenheten, setet osv., er meget tunge. De kan derfor utgjøre en skaderisiko for hendene.

- Vær oppmerksom på den tunge vekten til visse komponenter. Dette gjelder spesielt for fjerning av drivenheten, setet eller rygglenet.



### FORSIKTIG!

#### Det foreligger personskaderisiko og fare for skade på badekarheisen hvis servicearbeid utføres feil eller gjøres ufullstendig

- Bruk kun uskadde verktøy som er i god stand.
- Etter fullføring av arbeidet og før du starter badekarheisen på nytt, må du kontrollere at alle koblingene er sikre.
- Etter fullføring av arbeidet og før du starter badekarheisen på nytt, må du kontrollere at alle delene sitter som de skal.
- Når arbeidet er fullført, må du alltid utføre en prøvekjøring.

## 2 Produktsikkerhet

### 2.1 Periodiske kontroller



**VIKTIG!**

Produktet krever regelmessige kontroller for å sikre produktsikkerhet. De påkrevde intervallene må overholdes.



**ADVARSEL!**

– Vi anbefaler at badekarheisen kontrolleres når det har gått senest 24 måneder (i samsvar med EN ISO 10535), og sugekoppene må skiftes ut.  
 – Kontroller produktets elektriske sikkerhet i tråd med nasjonale krav.

#### 2.1.1 Visuell kontroll

1. Kontroller seteplaten, ryggplaten og bunnplaten for skader, og forsikre deg om at de er komplette.
2. Sjekk saksløftet og glideren ved å løfte dem og presse dem sammen igjen.
3. Kontroller boltene på lagrene i seteplaten/saksløftet og bunnplaten/saksløftet.
4. Undersøk håndkontrollen for eventuelle skader. Bytt ut håndkontrollen hvis håndkontrollens hus er skadet eller sprukket.
5. Undersøk plug-in-laderen for eventuelle skader.

#### 2.1.2 Funksjonssjekk

1. Bruk et voltmeter for å kontrollere laderen for tomgangsspenning mellom 24 V og 26 V ved pluggens ladepoler.
2. Kontroller funksjonen til håndkontrollen ved å trykke på stopp- og retningsknappen samtidig (ladedioden lyser). Hvis håndkontrollen er fulladet, må minimumsantallet løft kunne utføres av badekarheisen under maksimal belastning uten å lade opp igjen (ORCA, ORCA F: 5 løft, ORCA XL: 4 løft).
3. Hev og senk badekarheisen under maksimal belastning for å kontrollere dens funksjoner, og lytt etter eventuelle uvanlige lyder.

#### 2.1.3 Kontrollere elektrisk sikkerhet



**VIKTIG!**

Regelmessige elektriske kontroller i henhold til EN 62353 (VDE0751) må utføres i henhold til lokale krav.

1. Inspiser laderen og håndkontrollen for skader på huset eller kabelen, test funksjonene og kontroller for lekkasjestrøm.
2. Kontroller drivenheten for skader på huset eller kabelen.

#### 2.1.4 Sjekkliste

Generell inspeksjon	☺	☹
Er enheten i god stand, og er den komplett (enhet og tilbehør)?	<input type="checkbox"/>	<input type="checkbox"/>
Er identifikasjonsmerket tydelig lesbart, og er det festet sikkert på produktet?	<input type="checkbox"/>	<input type="checkbox"/>
Har senere endringer blitt foretatt på produktet?	<input type="checkbox"/>	<input type="checkbox"/>
Er enheten fri for skader eller svakheter av noe slag? Fungerer enheten korrekt under nominell belastning?	<input type="checkbox"/>	<input type="checkbox"/>
Er enheten fullt funksjonell i samsvar med bruksanvisningen? Følger en bruksanvisning med produktet?	<input type="checkbox"/>	<input type="checkbox"/>
Fungerer alt sikkerhetsutstyr som det skal?	<input type="checkbox"/>	<input type="checkbox"/>
Er enheten elektrisk sikker, der det er relevant?	<input type="checkbox"/>	<input type="checkbox"/>
Er alle sikkerhetsrelaterte varsler tilstrekkelig leselige? Finnes det et identifikasjonsmerke, og er det godt festet til støtteflaten?	<input type="checkbox"/>	<input type="checkbox"/>
<b>Fjerne feil</b>	☺	☹
Er alle feil som ble funnet, eliminert, og har defekte komponenter blitt erstattet?	<input type="checkbox"/>	<input type="checkbox"/>
Fungerer enheten korrekt nå?	<input type="checkbox"/>	<input type="checkbox"/>
Fungerer alt sikkerhetsutstyr som det skal, nå?	<input type="checkbox"/>	<input type="checkbox"/>
Er alle de nødvendige sikkerhetsrelaterte varslene nå på plass?	<input type="checkbox"/>	<input type="checkbox"/>
<b>Utføre sjekker</b>	☺	☹
Har enheten blitt rengjort og desinfisert?	<input type="checkbox"/>	<input type="checkbox"/>
Er enheten teknisk og funksjonelt trygg?	<input type="checkbox"/>	<input type="checkbox"/>
Er enheten elektrisk sikker, der det er relevant?	<input type="checkbox"/>	<input type="checkbox"/>
Er identifikasjonsmerket tydelig lesbart, og er det festet sikkert på produktet?	<input type="checkbox"/>	<input type="checkbox"/>
Har enheten blitt pakket riktig?	<input type="checkbox"/>	<input type="checkbox"/>

## 2.2 Service

Dersom du følger rengjørings- og sikkerhetsanvisningene, vil produktet være vedlikeholdsritt.

### 3 Overhaling

! Når det gjelder overhaling av Invacare®-produkter, anbefaler vi alltid å bruke InvaService-alternativet som er tilgjengelig fra Invacare®. Hvis du vil ha ytterligere informasjon, kan du ta kontakt med Invacare®-datterselskapet i ditt land. Kontaktadresser oppgis på baksiden av denne servicehåndboken.

Før beslutningen vedrørende overhaling tas, må det også bekreftes utover en kritisk vurdering av objektiv gjennomførbarehet at dette er fornuftig fra et økonomisk og økologisk perspektiv. Det må tas hensyn til risikoen knyttet til overhaling og bruk av den medisinske enheten, samt utgiftene og kvalitetsforsikringen, eller om det ville ha vært bedre å kassere den medisinske enheten.

Overhaling av produktet omfatter følgende punkter:

- 3.1 Rengjøring og desinfisering, side 46.
- 2.1 Periodiske kontroller, side 45.
- 2.2 Service, side 45.

#### ! VIKTIG!

- Hvis det er mulig, fortsetter du å bruke det gamle identifikasjonsmerket. Hvis dette ikke er mulig, må det nye identifikasjonsmerket inneholde den samme informasjonen og det gamle serienummeret. (Utskifting av reservedeler med serienumre).
- Hvis skruer med gjengelås løsnes, må disse erstattes med nye.

#### 3.1 Rengjøring og desinfisering

Prosedyrer for manuell rengjøring og desinfisering må alltid utføres i samsvar med dokumenterte arbeidsinstrukser samt med midler og prosesser som har blitt sjekket for effektivitet og skreddersydd for den medisinske enheten. For prosedyrer for mekanisk rengjøring og desinfisering kan det sikres prosedyremessig at parametrene som er nødvendige for å oppnå kvantifiserbar rengjørings- og desinfiseringsytelse, er oppfylt. For å sikre kontinuerlig kvalitet for manuelle og/eller mekaniske overhalingprosedyrer må det bevises ved minst periodiske kontroller at prosedyren fortsatt er effektiv, og at ingen utilsiktede endringer har oppstått.

Overhaling slutter med dokumentert godkjenning for bruk av den medisinske enheten. Kjeden av tiltak må optimaliseres, da svakheter i ett av de nødvendige enkelttrinnene kan føre til at hele prosessen mislykkes. Transport og oppbevaring må ikke ha en negativ innvirkning på egenskapene til den overholte medisinske enheten. Under transport må det sørges for at kontaminering av en

overhalt eller ny medisinsk enhet utelukkes frem til den tas i bruk, ved hjelp av streng adskillelse av rene/ikke-rene enheter.

Alle vaskemidler og desinfeksjonsmidler som brukes, må være effektive, kompatible med hverandre og skånsomme for materialene som brukes. Relevante rengjørings og desinfiseringsbad må jevnlig skiftes ut med definerte intervaller for å sikre deres effektivitet. Når det gjelder kontakttid og konsentrasjon, må desinfeksjonsmidlene som brukes, være i samsvar med listen over desinfeksjonsmidler utgitt av Foreningen for anvendt hygiene (<http://vah.data-room.de> – Verbund für Angewandte Hygiene e.V.), og av Den tyske foreningen for bekjempelse av virusykdommer ([www.dvv-ev.de](http://www.dvv-ev.de) – Deutsche Vereinigung zur Bekämpfung der Viruskrankheiten e.V.). Rengjørings- og desinfeksjonsmidler må velges i henhold til utstyret og fasilitetene som er tilgjengelige i hvert enkelt tilfelle, for å sikre et pålitelig rengjøringsresultat.

Utskiftede produkter og produktkomponenter må kasseres i samsvar med deres respektive materialsammensetning.

#### Klargjøring for rengjøring

1. Løsne rygglenet fra seteplaten.
2. Dekk elektroniske koblinger med beskyttelseshetter for å sikre at vann ikke kan komme inn.

#### Rengjøring

1. Fjern eventuell overfladisk kontaminering.
2. Behandle alle komponentene i badekarheisen med vaskemiddel og skyll med rent vann.
3. Bytt dekslene eller vask dem i vaskemaskinen ved en maksimumstemperatur på 60 °C.

#### ! VIKTIG!

##### • Fare for skade

- Vask ved høye temperaturer kan forårsake krymping.
- Tørk ikke trekk i tørketromler.

4. Bruk et universalrengjøringsmiddel for å rengjøre håndkontrollen, dekslene og laderen for hånd.
5. La alle badekarheisens komponenter tørke i omgivelsesluften eller tørk av med håndkle.
6. Kontroller sugekoppene og sugehettene, og bytt dem om nødvendig ut.

#### Desinfisering

1. Desinfiser seteoverflaten, rygglenets forside og håndkontrollen ved å tørke dem med desinfeksjonsmiddel.
2. Tørk alle badekarheisens komponenter i omgivelsesluften eller la dem tørke i luften til det ikke er igjen mer overfladisk fuktighet på produktet.

## 4 Reparasjon

Reparasjoner krever høy grad av kompetanse. I disse monteringsinstruksjonene brytes derfor de ulike oppgavene ned i 3 kategorier:

Krav	Symbol
Enkelt – teknisk forståelse kreves	●○○
Middels – tekniske kunnskaper kreves	●●○
Vanskelig – tekniske kunnskaper og kompetanse innen montering av badekarheiser kreves	●●●

De påkrevde verktøyene og deres størrelser er oppført før instruksjonene.

Verktøy	Symbol
Stjerneskrutrekker	⊕
Skrutrekker med sporhode	●
Momentskrutrekker	⊛
Karabinringtang	○✂



### ADVARSEL!

– For å unngå fare for forurensning må badekarheisen rengjøres og desinfiseres før det utføres reparasjoner.



### VIKTIG!

- Reparasjoner kan kun utføres av en autorisert forhandler.
- Hvis det er mulig, fortsetter du å bruke det gamle identifikasjonsmerket. Hvis dette ikke er mulig, må det nye identifikasjonsmerket inneholde den samme informasjonen og det gamle serienummeret. (Utskifting av reservedeler med serienumre).
- Når komponentene er byttet ut, er det nødvendig å sikre sporbarheten til komponentene som har blitt byttet ut.
- Hvis skruer med gjengelås løsnes, må disse erstattes med nye.
- Hvis skruer med låseringer løsnes, må disse erstattes med nye.
- Deler som blir skadet under fjerning, må erstattes med nye.

### 4.1 Reservedeler



### ADVARSEL!

Originale reservedeler må brukes for alle reparasjoner. Ellers blir garantien og produktets samsvarserklæring ugyldiggjort.

Alle reservedeler må anskaffes fra Invacare-kundeserviceavdelingen. En elektronisk katalog over reservedeler er tilgjengelig på [www.invacare.no](http://www.invacare.no).

### 4.2 Fjerne/montere rygglenet

Vanskelighetsgrad: ●●○

Verktøy: ⊕, ⊛, ○✂

Pos.	Betegnelse	Artikkelnummer	Antall
Ⓐ	Drivenhet (ORCA) (ORCA F) (ORCA XL)	16782 1471060 1471062	1
Ⓑ	Rørklemme	16778	2 (før mai 2015) 1 (fra og med mai 2015)
Ⓒ	Hunnkobling for drivenhet	16779	4 (før mai 2015) 2 (fra og med mai 2015)
Ⓓ	Underlagsskive	16780	4 (før mai 2015) 2 (fra og med mai 2015)
Ⓔ	Monteringsskrue	16781	4 (før mai 2015) 2 (fra og med mai 2015)
Ⓕ	Pluggholder	16455	1
Ⓖ	Bolter	15348	2
Ⓗ	Låsering	16456	2
Ⓘ	Aksel	16793	1
Ⓙ	Valse (ORCA/ORCA XL)	16450	1
Ⓚ	Låsering	15344	2
Ⓛ	Bolt venstre (ORCA/ORCA XL)	1470580	1
	Bolt høyre (ORCA/ORCA XL)	1470579	1
	Bolt venstre (ORCA F)	1471059	1
	Bolt høyre (ORCA F)	1471058	1
Ⓜ	Rygglene	1563010	1

### Fjerne rygglenet

1. Trekk spindelrøret helt tilbake.
2. Fold rygglenet nedover, løsne det og legg det på arbeidsplaten.

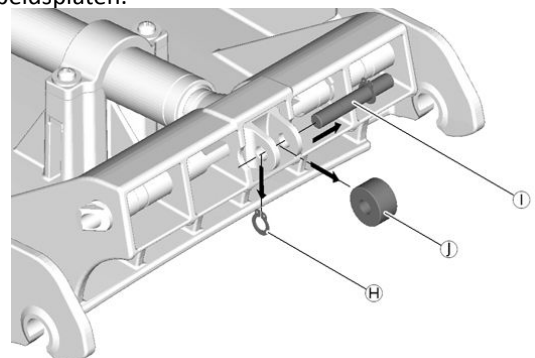


Fig. 4-1

3. Frigjør den ene siden av låseringen Ⓗ med låseringtangen fra akselen Ⓘ.
4. Press akselen gjennom åpningen i spindelfoten. ORCA / ORCA XL:

5. Fjern valsen fra spindelfoten.

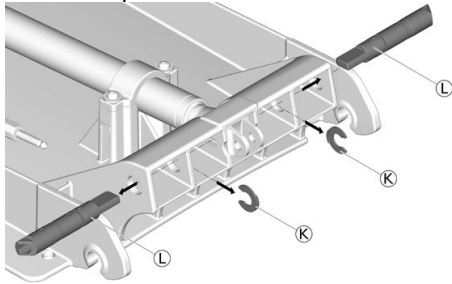


Fig. 4-2

6. Bruk en skrutrekker til å fjerne låseringen (K) fra boltene (L), og fjern begge boltene fra rygglaget. ORCA F:  
 7. Utvid drivenheten til boltene (L) er helt skjøvet ut. Bruk en skrutrekker til å fjerne låseringen (K) fra boltene, og fjern boltene fra rygglaget. Trekk drivmekanismen tilbake igjen.  
 For alle versjoner:

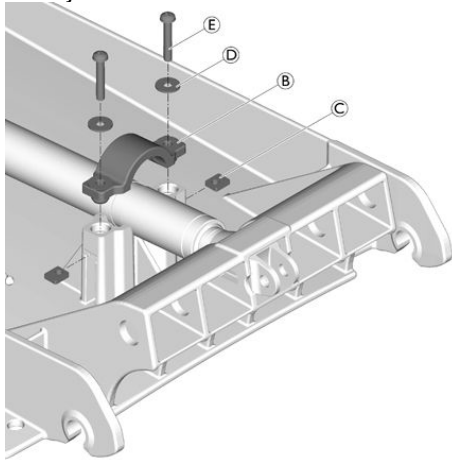


Fig. 4-3

8. Løsne skruene (E) med underlagsskivene (D) fra rørklemmen (B) og fjern rørklemmen.  
 9. Fjern hunnkoblingene (C).

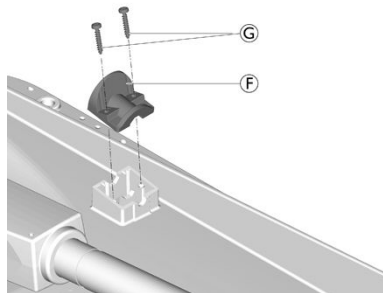


Fig. 4-4

10. Løsne boltene (G) fra pluggholderen (F) og fjern pluggholderen.

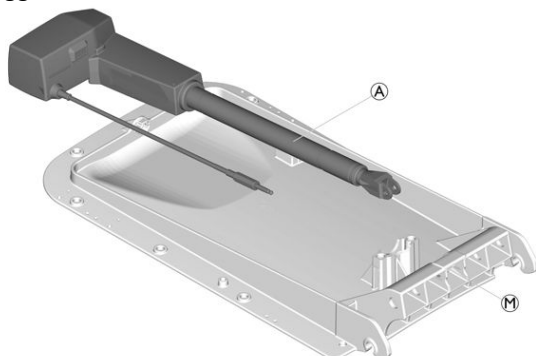
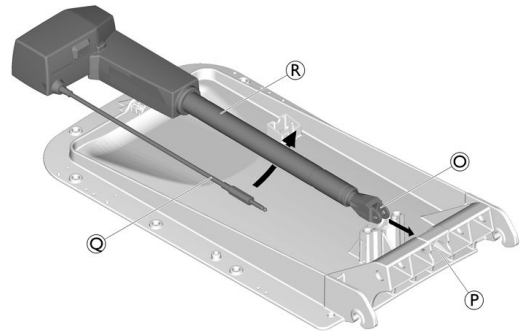


Fig. 4-5

11. Skyv drivenheten (A) fremover og litt ut av kryssbolten på rygglaget. Løft deretter baksiden litt på motoren og trekk den ut av sporet i rygglaget (M).  
 12. Oppbevar drivenheten på et trygt sted.

**Montere rygglaget**



1. Plasser drivenhet på rygglaget og skyv den gjennom det nedre sporet (P).

**! VIKTIG!**  
 • – Forsikre deg om at spindelfotens kurve (O) vender oppover.

2. Før kabelen (Q) under drivrøret (R).

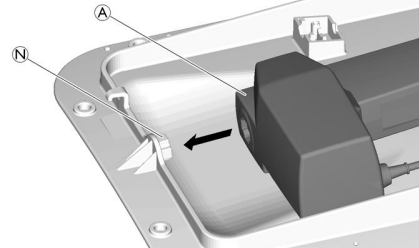


Fig. 4-6

3. Sett drivenhetens hodeende (A) med sporet i kryssbolten (N) på rygglaget.

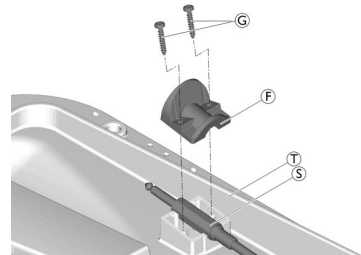


Fig. 4-7

4. Posisjoner pluggen (S) i mottakeren (T) på rygglaget.  
 5. Plasser pluggholderen (F) på toppen og fest den på plass med skruene (G) (moment 1,5 Nm).  
 6. Juster spindelfoten ved å dreie drivrøret på riktig måte.

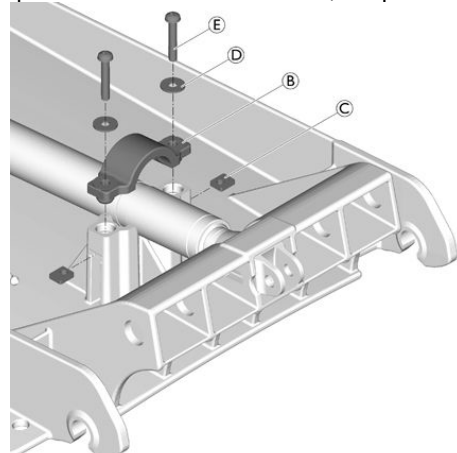


Fig. 4-8



7. Slide hunnkoblingen © inn i sideåpningen på begge sider med den glatte siden vendt oppover.
8. Plasser rørklemmen ⑧ over drivrøret.

! Sørg for at den hevede overflaten til rørklemmen vender mot ryggenets øvre ende.

9. Bruk skruer ⑤ og underlagsskiver ④ til å feste rørklemmen (moment 4,2 Nm).  
ORCA / ORCA XL:

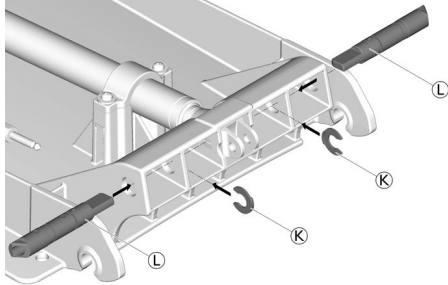


Fig. 4-9

10. Plasser høyre og venstre bolter ① i ryggenet og fest dem med låseringer ②.

**! VIKTIG!**  
 – Pass på at "R" (høyre) eller "L" (venstre) på boltene vender oppover.  
 – Sørg for at låseringenes flate sider vender utover.

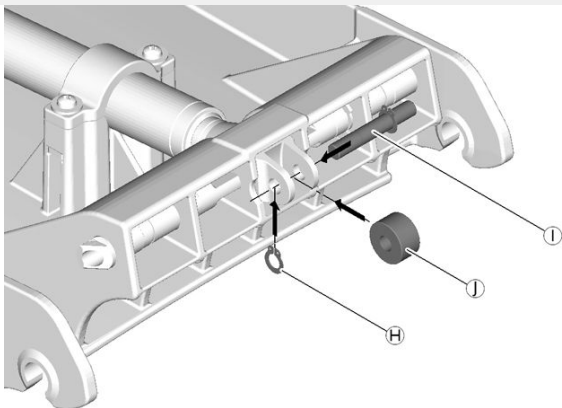
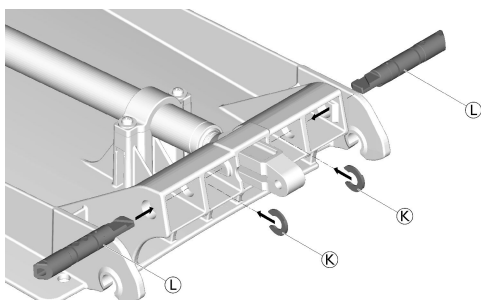


Fig. 4-10

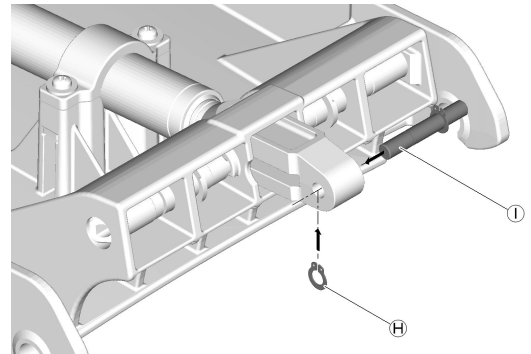
11. Bruk en låseringtang til å montere den ene siden av låseringen på akselen, eller bruk eksisterende aksel ① med en påmontert låsering.
12. Plasser valsen ① i sporet i spindelfoten (ORCA / ORCA XL).
13. Skyv akselen gjennom åpningen i spindelfoten og valsen, og fest sammenstillingen med låsering ② nummer to.

**! VIKTIG!**  
 – Kontroller at låseringen sitter korrekt.

ORCA F:



14. Fest håndkontrollen og utvid spindelfoten med 10 cm. Plasser høyre og venstre bolter i ryggenet og fest dem med låseringene. Låseringenes flate sider skal vende innover. Trekk spindelfoten tilbake igjen. Boltene trekkes inn igjen automatisk.



15. Bruk en låseringtang til å montere den ene siden av låseringen på akselen, eller bruk eksisterende aksel ① med en påmontert låsering.
16. Skyv akselen gjennom åpningen i spindelfoten, og fest sammenstillingen med låsering ② nummer to.

**! VIKTIG!**  
 – Kontroller at låseringen sitter korrekt.

### 4.3 Fjerne/montere saksløftet

Vanskelighets- ●●○  
 grad:

Verktøy: ●

Pos.	Betegnelse	Artikkelnummer	Antall
①	Saksløft (ORCA / ORCA F) (ORCA XL)	16804 1471063	1
③	Bolt for glideren	15105	4
④	Glider	16446	4
⑤	Låsebolt (ORCA / ORCA F) Stålbolt (ORCA XL)	16679 1471088	4
⑥	Låsering (ORCA XL)	1471089	4



**ADVARSEL!**

**Fare for at fingrene og hendene kommer i klem og knuses**

- Gå frem med forsiktighet når du utfører arbeid i området rundt saksløftet i forbindelse med løftemekanismen.



**VIKTIG!**

- Bytt ut låseringene ⑥ hver gang en reparasjon utføres.
- Bytt ut boltene ③ og låseboltene ⑤ hver gang en reparasjon utføres.

## Avmontering

1. Trekk tilbake drivenheten helt, og fjern ryggstøtten.
2. Trykk ned på den røde låsen for å ta i bruk saksløftet.

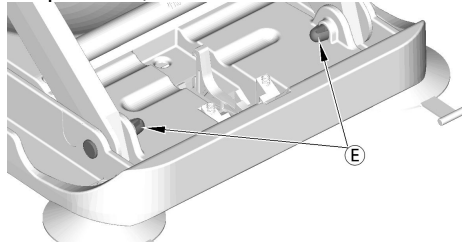
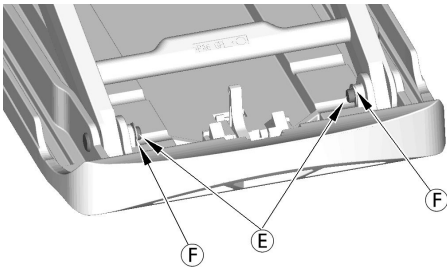


Fig. 4-11

3. Bryt av pinnene på låseboltene (E) nedenfor fra innsiden med en skrutrekker med sporhode. Press så ut boltene og fjern dem.



ORCA XL:  
Fjern låseringene (F) fra stålboltene (E). Press så ut stålboltene og fjern dem.

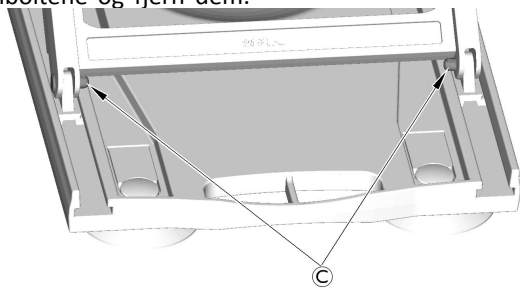


Fig. 4-12

4. Fjern bunnplaten fra saksløftet.
5. Bryt av pinnene for gliderne (C) nedenfor fra innsiden med en skrutrekker med sporhode. Press så ut boltene og fjern dem.

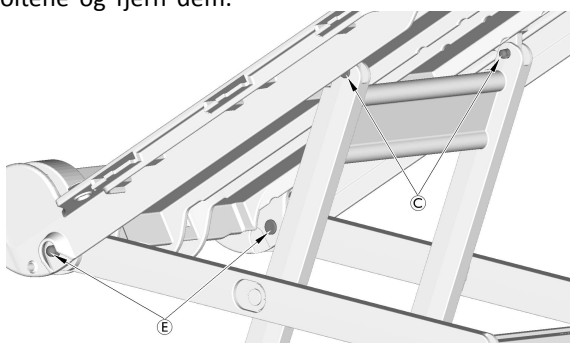
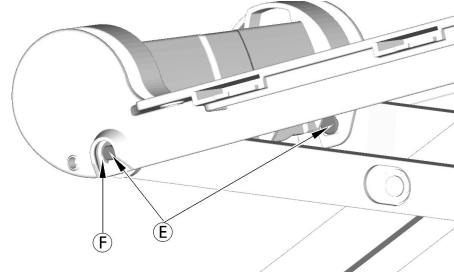


Fig. 4-13

6. Bryt av pinnene for gliderne (C) ovenfor, som forbinder det fremre saksløftet med seteplaten.
7. Bryt av pinnene på låseboltene (E) ovenfor, som forbinder det bakre saksløftet med seteplaten, fra utsiden ved hjelp av en skrutrekker med sporhode. Press inn låseboltene og fjern dem.



ORCA XL:

Fjern låseringene (F) fra stålboltene (E). Press så inn stålboltene og fjern dem.

## Montere

1. Saksløftet monteres på seteplaten og bunnplaten i motsatt rekkefølge av demonteringen.

## 4.4 Fjerne/montere bunnplaten

Vanskelighets- ●○○  
grad:

Verktøy: ●

Pos.	Betegnelse	Artikkelnummer	Antall
	Bunnplate (ORCA) (ORCA XL / ORCA F)	1563011 1471054	1
(A)	Lagerramme	16448	1
(B)	Låseklips	16449	1
(C)	Bladfjær	15415	1
(D)	Høyre låsemekanisme (ORCA / ORCA XL) (ORCA F)	16792 1471056	1
(E)	Venstre låsemekanisme (ORCA / ORCA XL) (ORCA F)	16791 1471057	1
(F)	Kompresjonsfjær for låsemekanisme (ORCA / ORCA XL)	16794	2
(G)	Totappers sugekopper (sett)	15071	1
(J)	Enkelttappers sugekopper (sett)	15072	1
(K)	Sugehette, rød	15121	2

## Avmontering

1. Plasser bunnplaten på arbeidsplaten med undersiden vendt oppover.

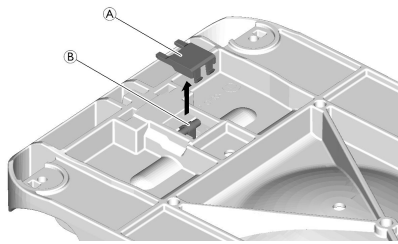


Fig. 4-14

2. Fjern lagerrammen (A).
3. Fjern låseklipsen (B) og bladfjæren fra bunnplaten.

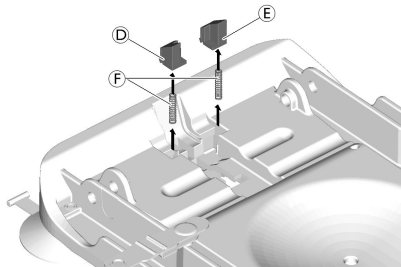


Fig. 4-15

4. Vri bunnplaten rundt.
5. Fjern den høyre låsemekanismen (D) og den venstre låsemekanismen (E) fra bunnplaten.
6. Fjern trykkfjærene (F).

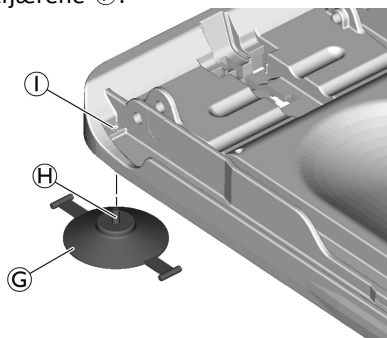


Fig. 4-16

7. Bruk skruen (H) til å fjerne sugeskoppen (G) fra gjengehylsen (I).

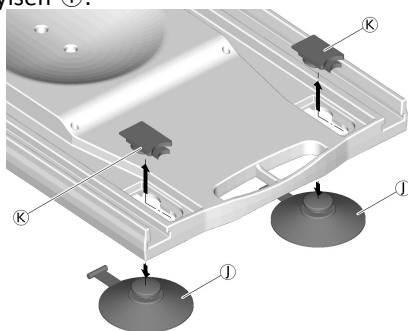


Fig. 4-17

8. Bruk en skrutrekker med sporhode til å fjerne de røde sugehettene (K).
9. Fjern enkelttappers sugekopper (J).
10. Fjern den gamle bunnplaten.

## Montere

1. Plasser den nye bunnplaten på arbeidsplaten.

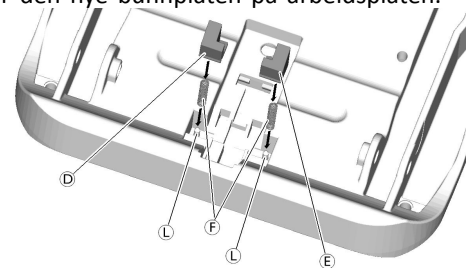


Fig. 4-18

2. Sett kompresjonsfjærene (F) i mottakerne (L) på bunnplaten.
3. Press ned den høyre låsemekanismenden (D) og den venstre låsemekanisme (E) sammen med kompresjonsfjærene frem til de festes i bunnplaten.

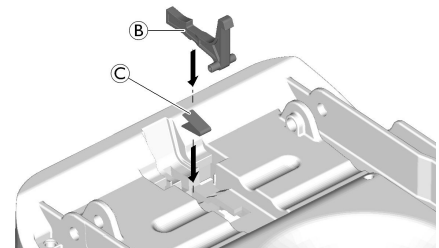


Fig. 4-19

4. Sett bladfjæren (C) i bunnplaten med den åpne siden vendt mot baksiden.
5. Sett låseklipsen (B) i bunnplaten.
6. Snu bunnplaten mens du holder låseklipsen på plass med én finger slik at den ikke kan falle ut.

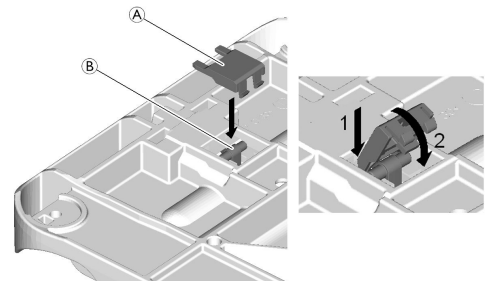


Fig. 4-20

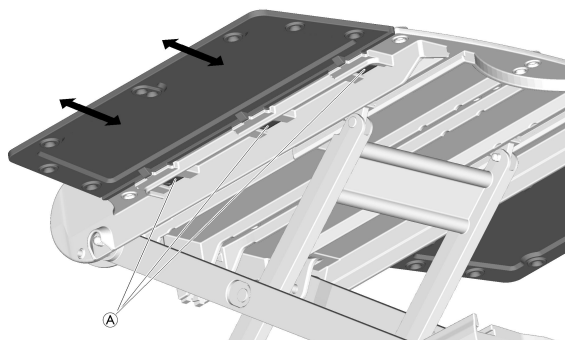
7. Sett lagerrammens (A) nese først inn i bunnplaten og skyv den deretter tilbake til den kommer på plass, slik at låseklipsen (B) festes forsvarlig.
8. Monter enkelttappers og totappers sugekopper i omvendt rekkefølge fra den beskrevne avmonteringsprosessen.

## 4.5 Fjerne/montere sideklaffene

Vanskelighets-grad: ●○○

Verktøy: —

Pos.	Betegnelse	Artikkelnummer	Antall
Ⓐ	Sideklaff	15892	2



### Avmontering

1. Press inn sideklaffens klips Ⓐ og trekk sakte ut sideklaffen.

### Montere

1. Skyv sideklaffens klips Ⓐ jevnt i sporene på seteplaten til de kommer på plass.

## 4.6 Bytte ut håndkontrollen

Vanskelighets-grad: ●○○

Verktøy: —

Pos.	Betegnelse	Artikkelnummer	Antall
Ⓐ	Håndkontroll	1470902	1

1. Trekk håndkontrollpluggen etter det blå huset og løsne den fra kontaktpluggen.
2. Plasser det blå huset til den nye håndkontrollen på pluggen.
3. Kontroller alle funksjonene til badekarheisen.



### ADVARSEL!

- Håndkontrollen må bare byttes ut som en komplett komponent.
- Ikke åpne eller forsøk å reparere håndkontrollen.



Ta kontakt med Invacare®-kundeservice per telefon eller bestill en ny håndkontroll ved å benytte den elektroniske katalogen over reservedeler på [www.invacare.de](http://www.invacare.de).







## Invacare® distributors

### Belgium & Luxembourg:

Invacare nv  
Autobaan 22  
B-8210 Loppem  
Tel: (32) (0)50 83 10 10  
Fax: (32) (0)50 83 10 11  
belgium@invacare.com  
www.invacare.be

### Norge:

Invacare AS  
Grensesvingen 9, Postboks 6230,  
Etterstad  
N-0603 Oslo  
Tel: (47) (0)22 57 95 00  
Fax: (47) (0)22 57 95 01  
norway@invacare.com  
www.invacare.no

### United Kingdom:

Invacare Limited  
Pencoed Technology Park,  
Pencoed  
Bridgend CF35 5AQ  
Tel: (44) (0) 1656 776 222  
Fax: (44) (0) 1656 776 220  
uk@invacare.com  
www.invacare.co.uk



Invacare GmbH  
Am Achener Hof 8  
D-88316 Isny  
Germany

### Deutschland:

Invacare GmbH  
Am Achener Hof 8  
D-88316 Isny  
Tel: (49) (0)7562 700 0  
kontakt@invacare.com  
www.invacare.de

### Österreich:

Invacare Austria GmbH  
Herzog-Odilo-Straße 101  
A-5310 Mondsee  
Tel: (43) 6232 5535 0  
Fax: (43) 6232 5535 4  
info-austria@invacare.com  
www.invacare.at

### Australia:

Invacare Australia Pty. Ltd.  
1 Lenton Place, North Rocks NSW  
2151  
Australia  
Phone: 1800 460 460  
Fax: 1800 814 367  
orders@invacare.com.au  
www.invacare.com.au

### France:

Invacare Poirier SAS  
Route de St Roch  
F-37230 Fondettes  
Tel: (33) (0)2 47 62 64 66  
Fax: (33) (0)2 47 42 12 24  
contactfr@invacare.com  
www.invacare.fr

### Schweiz / Suisse / Svizzera:

Invacare AG  
Benkenstrasse 260  
CH-4108 Witterswil  
Tel: (41) (0)61 487 70 80  
Fax: (41) (0)61 487 70 81  
switzerland@invacare.com  
www.invacare.ch

### New Zealand:

Invacare New Zealand Ltd  
4 Westfield Place, Mt Wellington  
1060  
New Zealand  
Phone: 0800 468 222  
Fax: 0800 807 788  
sales@invacare.co.nz  
www.invacare.co.nz



### Ireland:

Invacare Ireland Ltd,  
Unit 5 Seatown Business Campus  
Seatown Road, Swords, County  
Dublin  
EirCode: K67 K271 — Ireland  
Tel : (353) 1 810 7084  
Fax: (353) 1 810 7085  
ordersireland@invacare.com  
www.invacare.ie

### Sverige:

Invacare AB  
Fagerstagatan 9  
S-163 53 Spånga  
Tel: (46) (0)8 761 70 90  
Fax: (46) (0)8 761 81 08  
sweden@invacare.com  
www.invacare.se

