

Attaching Cord Restraint and Air Scoop on the Perfecto₂[™] AW



Yes, you can.

Assembly, Installation and Operating Instructions

Model No. IRC5PO2AW

SAVE THESE INSTRUCTIONS

NOTE: Check all parts for shipping damage. If damage is found, DO NOT use. Contact Carrier/Invacare for further instructions.

Safety Summary

To ensure the safe and proper installation of the Cord Restraint and Air Scoop, these instructions and warnings MUST be followed:

⚠ WARNING

DO NOT use this product or any available optional equipment without first completely reading and understanding these instructions and any additional instructional material such as owner's manuals, service manuals or instruction sheets supplied with this product or optional equipment. If you are unable to understand the warnings, cautions or instructions, contact a healthcare professional, dealer or technical personnel before attempting to use this equipment - otherwise, injury or damage may occur.

⚠ ACCESSORIES WARNING

Invacare products are specifically designed and manufactured for use in conjunction with Invacare accessories. Accessories designed by other manufacturers have not been tested by Invacare and are not recommended for use with Invacare products.

Attaching the Cord Restraint

NOTE: For this procedure, refer to FIGURE 1.

1. Remove the mounting screw at the base of the concentrator (Detail "A").
2. Plug in the power cord and secure the p-clip with the mounting screw (Detail "B").

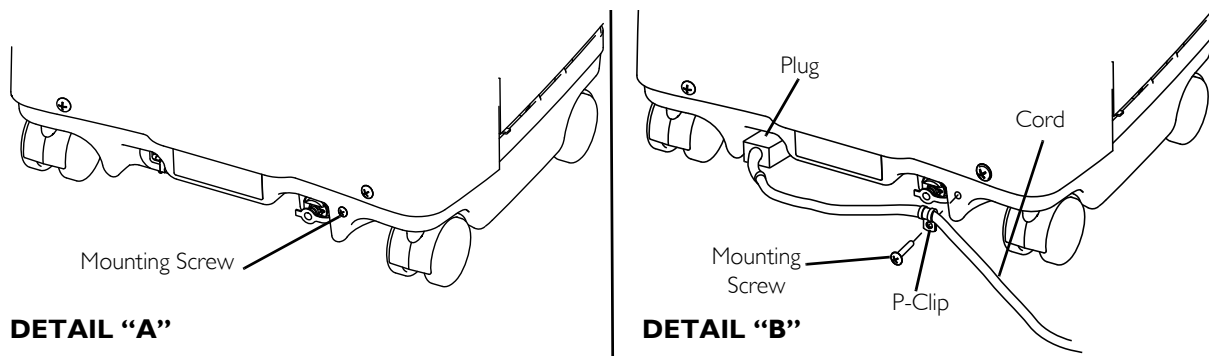


FIGURE 1 Attaching the Cord Restraint

For more information regarding Invacare products, parts, and services, please visit www.invacare.com

Attaching the Air Scoop

NOTE: For this procedure, refer to FIGURE 2.

Install the air scoop onto the filter access door by inserting the six tabs on the air scoop into the six slots on the sides of the filter access door.

NOTE: An audible click will be heard.

NOTE: The top of the air scoop should be flush with the top of the filter access door when properly installed.

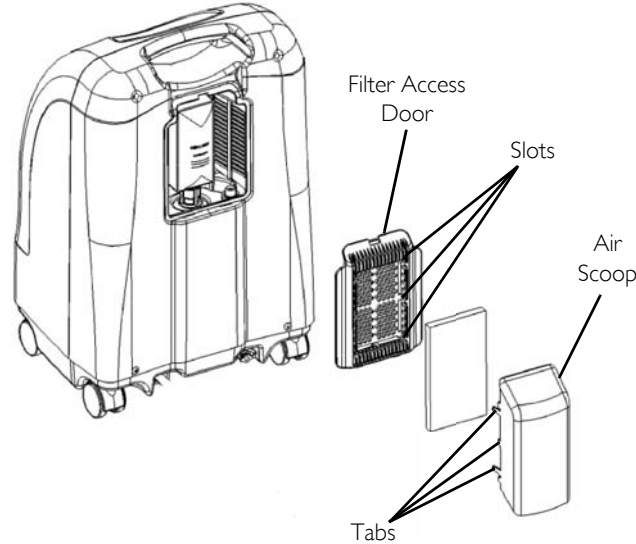


FIGURE 2 Attaching the Air Scoop



Yes, you can.



Invacare Corporation

USA
One Invacare Way
Elyria, Ohio USA
44036-2125
440-329-6000
800-333-6900
Technical Services
440-329-6593
800-832-4707



Invacare Deutschland GmbH
Kleiststraße 49, D-32457
Porta Westfalica
Tel: (49) (0) 5731 754 0
Fax: (49) (0) 5731 754 52191

Part No 1160878



www.invacare.com

Manufacturer:
Invacare Rehabilitation Equipment
(Suzhou) Co., Ltd.
No. 5 Weixi Road, SIP,
Suzhou, Jiangsu, P.R.C.
215121
Tel: 86-512-62586180
Fax: 86-512-62586167



© 2014 Invacare Corporation. All rights reserved.
Republication, duplication or modification in whole
or in part is prohibited without prior written
permission from Invacare. Trademarks are
identified by [™] and [®]. All trademarks are owned
by or licensed to Invacare Corporation or its
subsidiaries unless otherwise noted.

Rev D- 01/07/14

