



Yes, you can.

Invacare® Action³ JUNIOR
Local Homologation Number :
ISO , MDA , TÜV Logos
Crossbar Folding Mechanism, Seat Angle Possibility : 1,5°, 5°, 8,5° (Delivered Always 5°).

INVACARE France OPERATIONS SAS
Route de Saint Roch, 37230 Fondettes, France
Tel: 33 (0)247 626 466 Fax: 33 (0)247 626 488

Codification of Local Prescription Form:
Action3 Junior = CNB
Action3 Junior Evolutive = CNC

Customer Name :
Dealer :
Account No :
Address :
Tel No :
Delivery address :
Order No :
Order Qty :
Order Date :

OR DEALER STAMP

UPDATE : In Green: New modification ; In Blue: Previous Modification.

LPF Instructions :

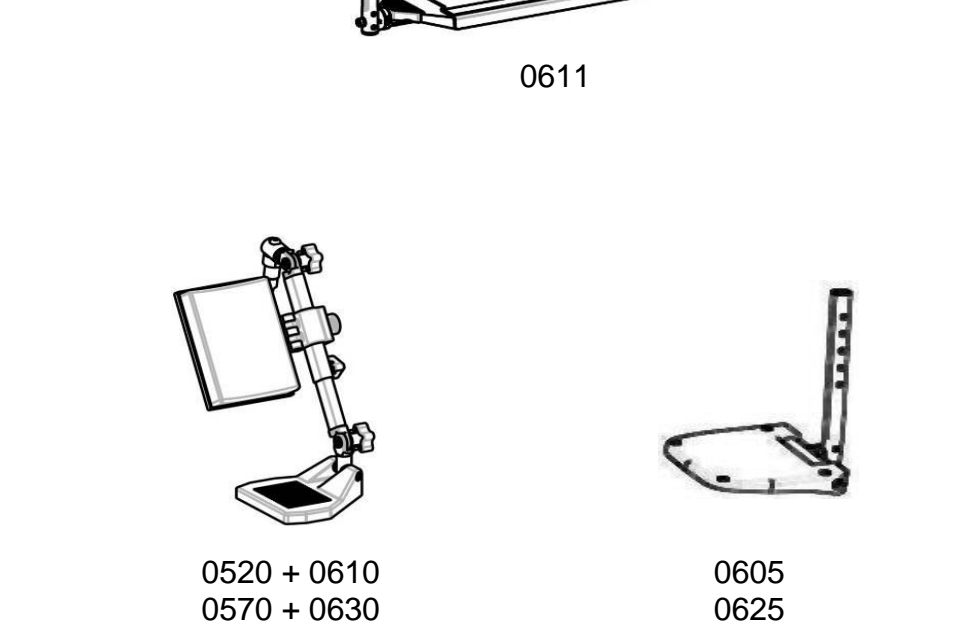
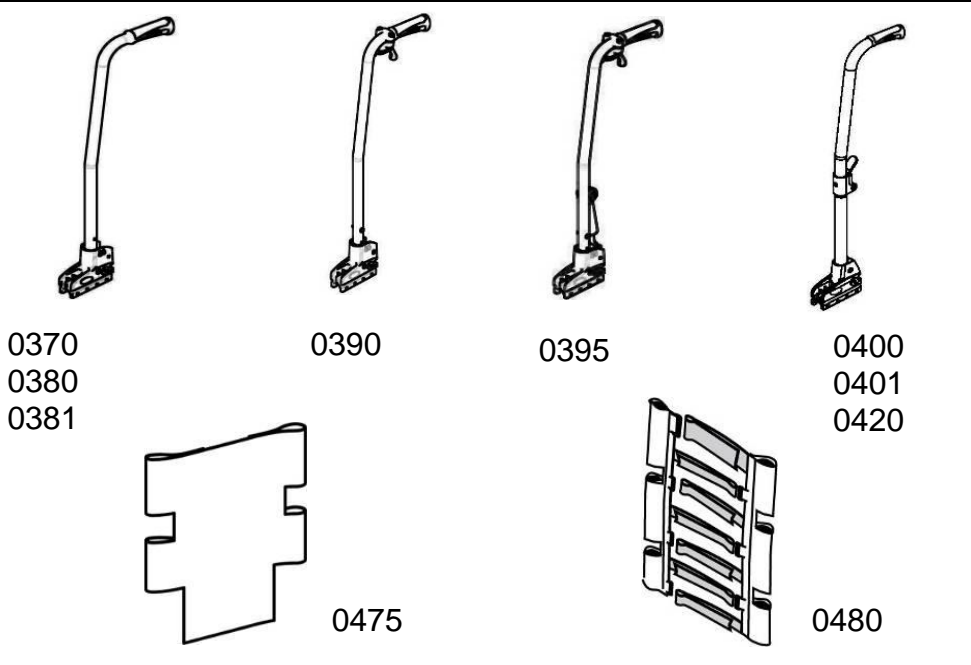
Commercial NC (LPF)
Technical NC (LPF)

Please make your selection with a cross in the box : Standard feature Free of Charge (NC9999) Non Conformance with Option 9999.

Table with columns for Code, Description, and Kg. Includes sections for MODEL, SPECIAL, BASE MODEL FOR PRICE LIST, PROPULSION TYPE, SEAT, SEAT WIDTH, SEAT DEPTH, EVOLUTIVE SEAT VERSION, OTHER SEAT INFORMATIONS, SEAT UPHOLSTERY TYPE, BACKREST, HANGERS/FOOTPLATES, and FOOTPLATES LH TYPE.



Important Information:
Stabiliser kit (see seating option type; ref. 0881) is a standard feature for a better front and lateral stability for these seat widths.



UPDATE : In Green: New modification ; In Blue: Previous Modification.

LPF Instructions :

- : Commercial NC (LPF)
- : Technical NC (LPF)

Please make your selection with a cross in the box : Standard feature Free of Charge (NC9999) Non Conformance with Option 9999.

Code	Description	Customer weight =	Kg	
ARMRESTS				
ARMRESTS RH FORM				
CNA0640	<input type="checkbox"/> REMOVABLE RH (N°1) AUTOLOCK SAFETY DEVICE INCLUDED	DESK, STD ARMPAD (60 MM)	ADJ. 180 TO 280 MM	(NC : 0745, 0746, 0750, 0755)
CNA0645	<input type="checkbox"/> REMOVABLE RH (N°1) AUTOLOCK SAFETY DEVICE INCLUDED	JUNIOR, STD ARMPAD (60 MM)	ADJ. 150 TO 250 MM	(NC : 0740, 0746, 0750, 0755)
CNA0646	<input type="checkbox"/> REMOVABLE RH (N°1) AUTOLOCK SAFETY DEVICE INCLUDED	NARROW ARMPAD JUNIOR (50 MM)	ADJ. 150 TO 250 MM	(NC : 0740, 0745, 0750, 0755, 1470)
CNA0650	<input type="checkbox"/> MUDGUARD RH		HEIGHT ADJUSTABLE (155 TO 220 MM)	(NC: 0740, 0745, 0746, 0755, 1201, 1470, 1471, 1472)
CNA0655	<input type="checkbox"/> SKIRTGUARD RH	JUNIOR		(NC: 0740, 0745, 0746, 0750, 1470, 1471, 1472)
ARMRESTS LH FORM				
CNA0740	<input type="checkbox"/> REMOVABLE LH (N°1) AUTOLOCK SAFETY DEVICE INCLUDED	DESK, STD ARMPAD (60 MM)	ADJ. 180 TO 280 MM	
CNA0745	<input type="checkbox"/> REMOVABLE LH (N°1) AUTOLOCK SAFETY DEVICE INCLUDED	JUNIOR, STD ARMPAD (60 MM)	ADJ. 150 TO 250 MM	
CNA0746	<input type="checkbox"/> REMOVABLE LH (N°1) AUTOLOCK SAFETY DEVICE INCLUDED	NARROW ARMPAD JUNIOR (50 MM)	ADJ. 150 TO 250 MM	(NC: 1470)
CNA0750	<input type="checkbox"/> MUDGUARD LH		HEIGHT ADJUSTABLE (155 TO 220 MM)	(NC: 1201, 1470, 1471, 1472)
CNA0755	<input type="checkbox"/> SKIRTGUARD LH	JUNIOR		(NC: 1470, 1471, 1472)
SEATING OPTIONS TYPE				
CNA0820	<input type="checkbox"/> NO SEATING OPTION			(NC : 0825, 0851, 0855, 0860, 0865, 0880, 0881, 0882, 0883, 0884, 0885, 0886, 0890, 0900, 0902)
CNA0851	<input type="checkbox"/> SEAT CUSHION MSS (ESSENTIAL JUNIOR)			
CNA0855	<input type="checkbox"/> BACKREST EXTENSION (230 MM)			(NC 0860, 0865)
CNA0860	<input type="checkbox"/> HEADREST STANDARD MULTI - ADJUSTABLE	INCLUDING WIDTH ADJUSTABLE BACKBRACE		(NC: 0865, 0902)
CNA0865	<input type="checkbox"/> HEADREST ROUND MULTI - ADJUSTABLE	INCLUDING WIDTH ADJUSTABLE BACKBRACE		(NC: 0902)
CNA0880	<input type="checkbox"/> ADJUSTABLE CALF STRAP			
CNA0881	<input type="checkbox"/> FRONT STABILISER KIT	+ 100 MM OUTWARD		
CNA0882	<input type="checkbox"/> ANKLE GRIPS BRACKET, PAIR			(NC: 0883, 0884, 0885)
CNA0883	<input type="checkbox"/> ANKLE GRIPS "XS", PAIR	INCLUDING BRACKET	STRAP'S CIRCUMFERENCE 155 TO 200 M	(NC: 0884, 0885)
CNA0884	<input type="checkbox"/> ANKLE GRIPS "S", PAIR	INCLUDING BRACKET	STRAP'S CIRCUMFERENCE 160 TO 215 M	(NC: 0885)
CNA0885	<input type="checkbox"/> ANKLE GRIPS "M", PAIR	INCLUDING BRACKET	STRAP'S CIRCUMFERENCE 175 TO 230 MM	
CNA0886	<input type="checkbox"/> FOOTPLATE ADJUSTMENT OPTIMIZER KIT	(FRONT OR REAR SET ADJUSTMENT)		
CNA0890	<input type="checkbox"/> ADDITIONAL ELEVATING LEGREST (0° TO 80°) SWING IN/OUT HANGER PAIR (INCL. ADJ FOOTPLATES); UL STD 275 TO 375 MM			(NC: 0900)
CNA0900	<input type="checkbox"/> ADDITIONAL ELEVATING LEGREST (0° TO 80°) SWING IN/OUT HANGER PAIR (INCL. ADJ FOOTPLATES, WITHOUT CALFPADS, WITH CALFSTRAPS); UL STD 235 TO 295 MM			
CNA0902	<input type="checkbox"/> WIDTH ADJUSTABLE BACK BRACE			
COLOURS				
CNA0952	<input type="checkbox"/> PEARL WHITE			
CNA0953	<input type="checkbox"/> MATT BLACK			
CNA0954	<input type="checkbox"/> MATT RED			
CNA0955	<input type="checkbox"/> INTENSE YELLOW			
CNA0956	<input type="checkbox"/> POLAR BLUE			
CNA0957	<input type="checkbox"/> CANDY PINK			
CNA0958	<input checked="" type="checkbox"/> POP BLUE	FOR UK ONLY		
CNA0991	<input type="checkbox"/> SPECIAL COLOUR (ON DEMAND ONLY)			
FRONT WHEELS				
CNA1000	<input type="checkbox"/> 125 X 25 MM (5" x 1")	SOLID TYRE		
CNA1001	<input type="checkbox"/> 125 X 25 MM (5" x 1") FLASHING LIGHTS	SOLID TYRE		
CNA1005	<input type="checkbox"/> 125 X 45 MM (5"x 1" 3/4)	SOLID TYRE		
REAR WHEELS				
REAR WHEEL TYPE				
CNA1060	<input type="checkbox"/> 560 X 35 MM (22" x 1.3/8")	PNEUMATIC TYRE	SPOKED RIM	(NC: 1170)
CNA1070	<input type="checkbox"/> 555 X 35 MM (22" x 1.3/8")	SOLID TYRE	SPOKED RIM	(NC: 1170)
CNA1075	<input type="checkbox"/> 550 X 25 MM (22" x 1")	BLACK SOLID TYRE	SPOKED RIM	(NC: 1170)
CNA1090	<input type="checkbox"/> 515 X 35 MM (20" x 1.3/8")	SOLID TYRE	SPOKED RIM	(NC: 1170, 1280)
CNA1100	<input checked="" type="checkbox"/> 305 X 50 MM (12" x 2")	PNEUMATIC TYRE	PLASTIC RIM	(NC : 1140, 1141, 1180, 1253, 1254, 1255, 1256, 1380, 1390)
CNA1110	<input type="checkbox"/> 305 X 45 MM (12" x 2")	SOLID TYRE	PLASTIC RIM	(NC : 1140, 1141, 1180, 1253, 1254, 1255, 1256, 1380, 1390)
HANDRIM TYPE				
CNA1140	<input type="checkbox"/> ALUMINIUM PRE-ANODIZED HANDRIM			
CNA1141	<input type="checkbox"/> HANDRIM COATED IN BLACK ANTI-SLIP PLASTIC			
REAR WHEELS AXLE TYPE				
CNA1170	<input type="checkbox"/> FIXED AXLE			
CNA1180	<input type="checkbox"/> QUICK RELEASE AXLE			
REAR WHEELS POSITION				
CNA1190	<input type="checkbox"/> STANDARD REAR WHEELS POSITION	25MM FRONTWARD/BACKREST CANE AXLE		
CNA1195	<input type="checkbox"/> MEDIUM REAR WHEELS POSITION	ON LINE/BACKREST CANE AXLE		
CNA1200	<input type="checkbox"/> PASSIVE REAR WHEELS POSITION	25MM BACKWARD/BACKREST CANE AXLE		
CNA1201	<input type="checkbox"/> DUAL AMPUTEE REAR WHEELS POSITIONS	TRANSIT=75MMBACKWARD/BACKREST CANE AXLE, ADJUSTABLE TO 50 MM BY THE DEALER & SELF PROP=60 MM BACKWARD/BACKREST CANE AXLE, ADJUSTABLE TO 85 MM		(NC: 1275, 1280, 1375)
PUMP				
CNA1220	<input type="checkbox"/> WITHOUT PUMP			
CNA1230	<input type="checkbox"/> PUMP AND SUPPORT			
CHASSIS OPTIONS TYPE				
CNA1240	<input type="checkbox"/> NO CHASSIS OPTION			(NC : 1253, 1254, 1255, 1256)
CNA1253	<input type="checkbox"/> SPOKE GUARDS CLEAR PAIR			
CNA1254	<input type="checkbox"/> SPOKE GUARDS PIXEL; PAIR			
CNA1255	<input type="checkbox"/> SPOKE GUARDS SNOWFLAKES; PAIR			
CNA1256	<input type="checkbox"/> SPOKE GUARDS COLOR ME!; PAIR			
BRAKES TYPE				
CNA1270	<input type="checkbox"/> PUSH TO LOCK BRAKES			
CNA1275	<input type="checkbox"/> PULL TO LOCK BRAKES			
CNA1280	<input type="checkbox"/> ATTENDANT HUB BRAKES (INCLUDING PUSH TO LOCK BRAKES)			(NC : 1426)
SAFETY OPTIONS TYPE				
CNA1340	<input type="checkbox"/> NO SAFETY OPTION			(NC : 1345, 1360, 1361, 1370, 1375, 1380, 1390)
CNA1345	<input type="checkbox"/> TRANSPORTATION KIT INCLUDING POSTURE BELT			(NC : 1360)
CNA1360	<input type="checkbox"/> POSTURE BELT			
CNA1361	<input type="checkbox"/> PEDIATRIC BELT			
CNA1370	<input type="checkbox"/> REAR ANTI-TIPPERS PAIR WITH TIPPING AID			(NC : 1430, 1440)
CNA1375	<input type="checkbox"/> TRANSFER KIT (100 MM (4") WHEELS)	ANTI-BARRIER		
CNA1380	<input type="checkbox"/> REFLECTORS KIT (FOR SPOKE WHEELS ONLY)			
CNA1390	<input type="checkbox"/> BRAKE EXTENSION PAIR			
ATTENDANT OPTIONS TYPE				
CNA1420	<input type="checkbox"/> NO ATTENDANT OPTION			(NC : 1426, 1430, 1440)
CNA1426	<input type="checkbox"/> STROLLER PUSH HANDLES PAIR	MULTI-ANGLE ADJUSTABLE		
CNA1430	<input type="checkbox"/> RH TIPPING AID			
CNA1440	<input type="checkbox"/> LH TIPPING AID			
ACCESSORIES TYPE				
CNA1460	<input type="checkbox"/> NO ACCESSORY			(NC : 1470, 1471, 1472)
CNA1470	<input type="checkbox"/> ACRYLIC TRAY			
CNA1471	<input type="checkbox"/> RH SWING AWAY ACRYLIC TRAY			
CNA1472	<input type="checkbox"/> LH SWING AWAY ACRYLIC TRAY			
FREIGHT & PRICE				
FREIGHT PRICE				
TOTAL PRICE				

