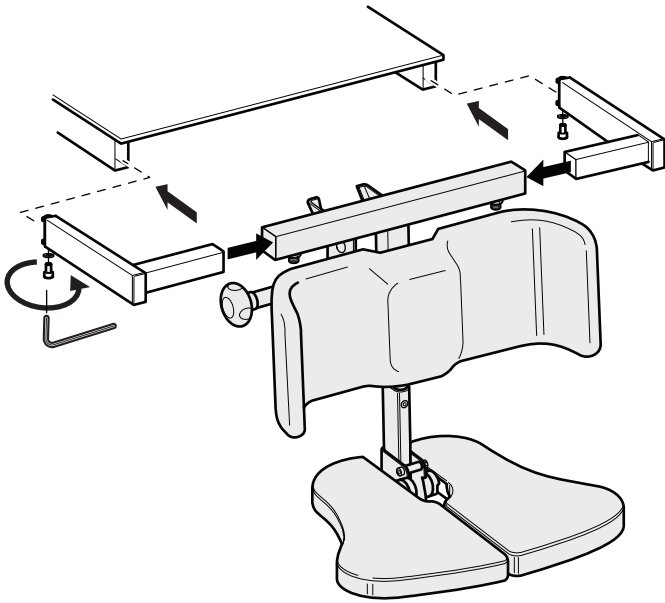


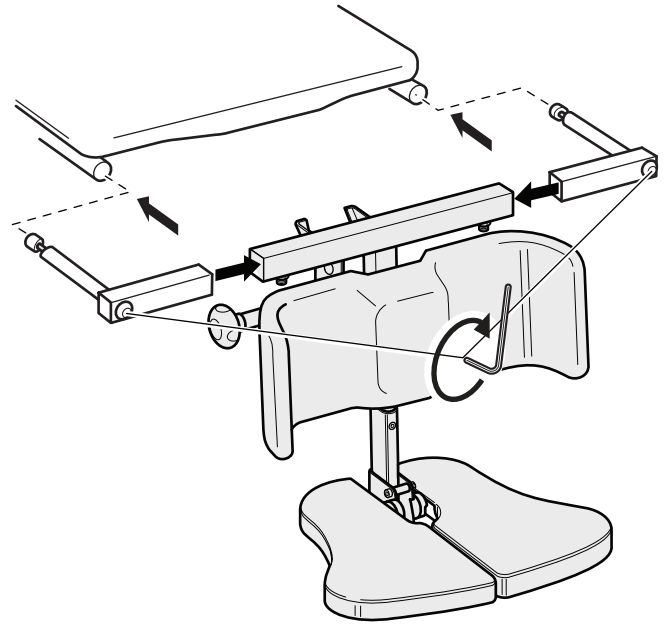


Mounting instructions, Central legrest
Monteringsanvisning, Centralt benstöd

Yes, you can.®



Rea® Azalea



Rea® Assist / 705 Silencio Care
Rea® Bellis

