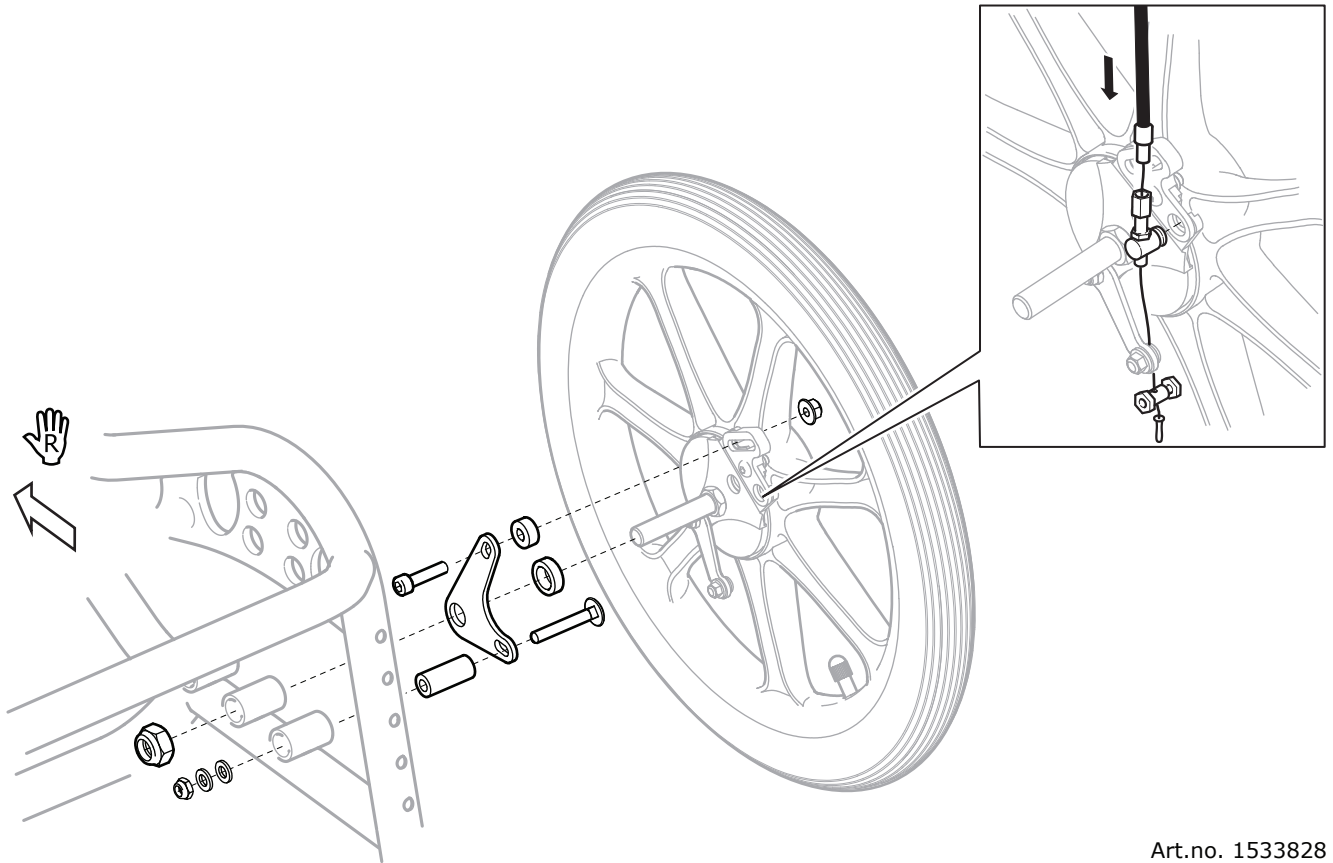


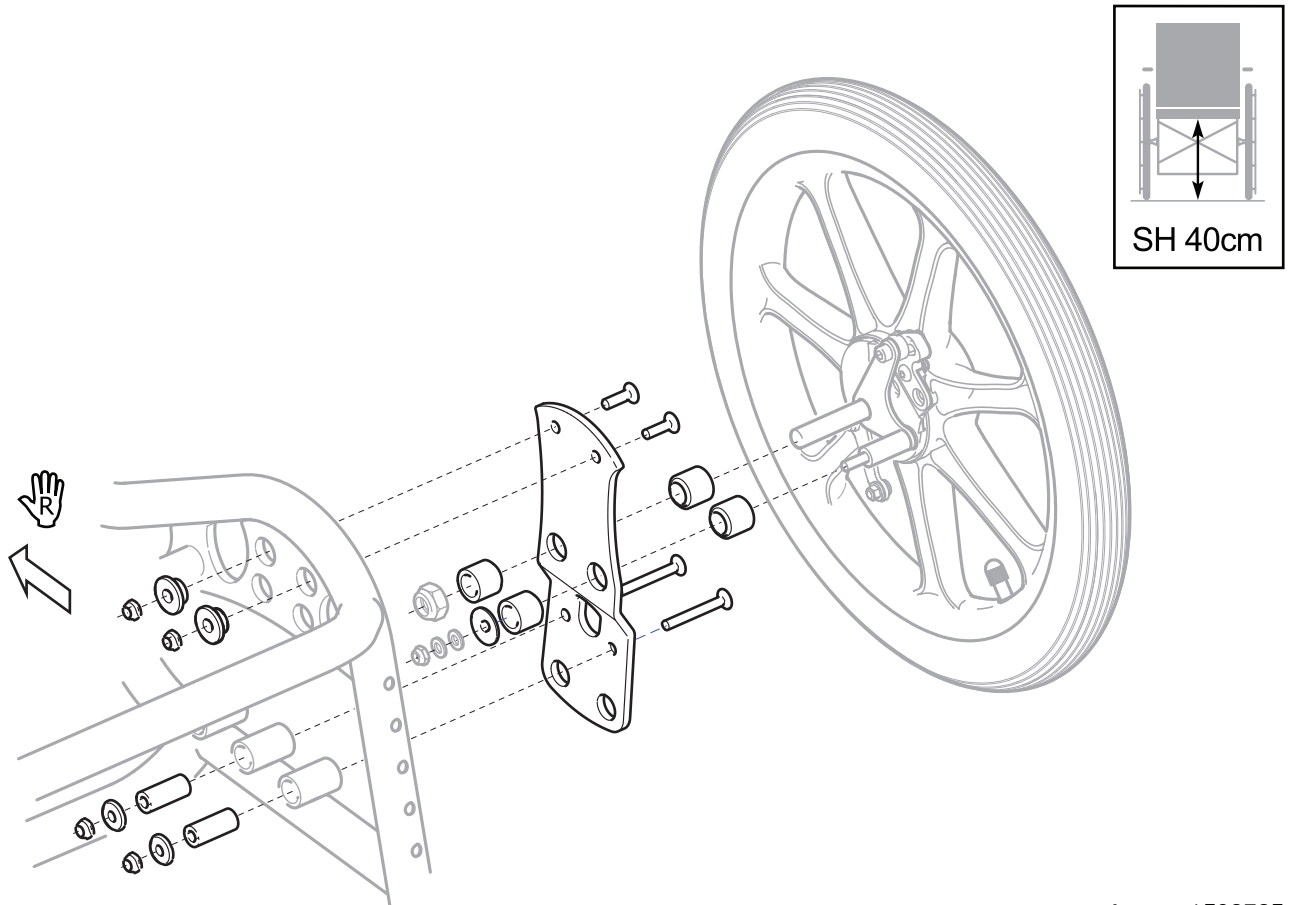
# Mounting instructions 16" Wheel, Rea Azalea

## A



Art.no. 1533828

## B



Art.no. 1508785