



Yes, you can.®



## Mounting instructions *Rea*® *Azalea*®



Confidence in posture solutions

# **Content**

***Reflector kit***

***Drumbrakes***

***Trunksupport, Flex3***

***Flex3 Backrest***

***X-harness, Flex3 Backrest***

***Hemi armrest***

***Sliding seat***

***Amputation legrest***

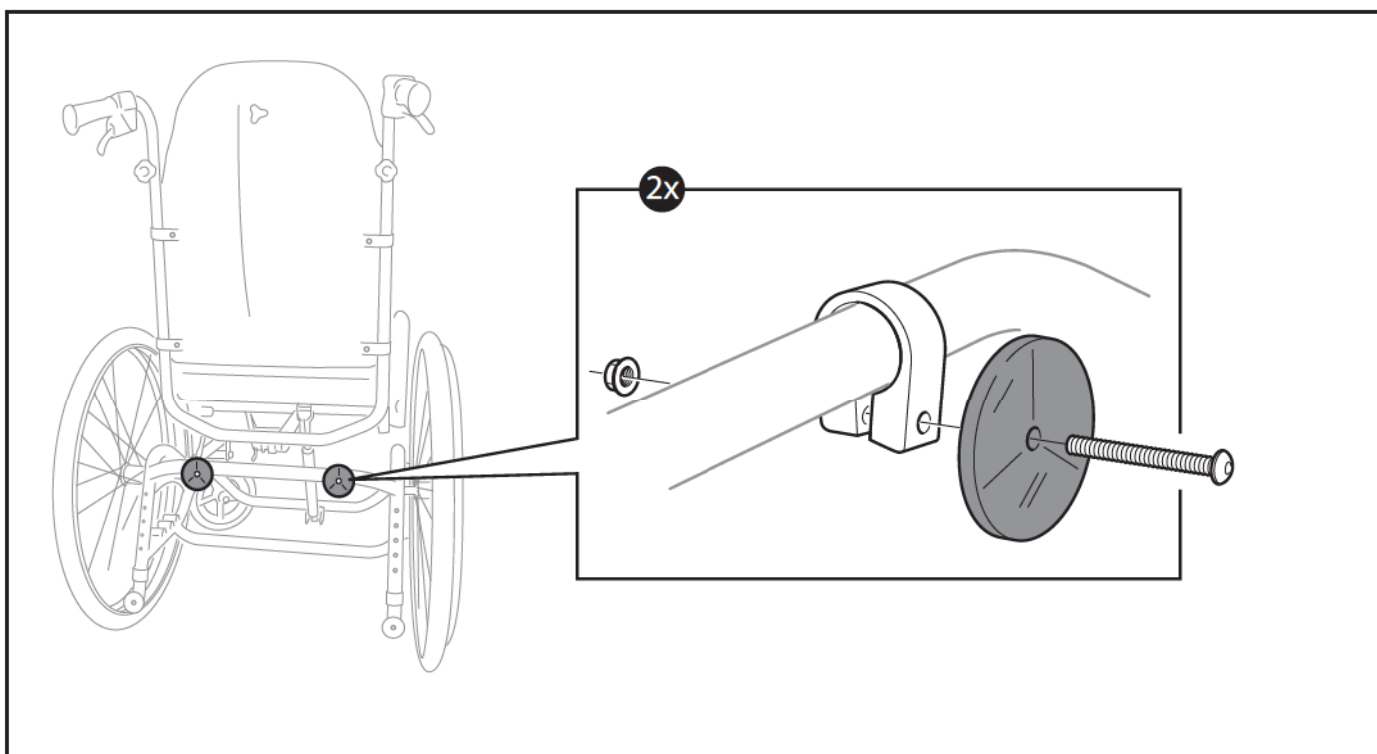
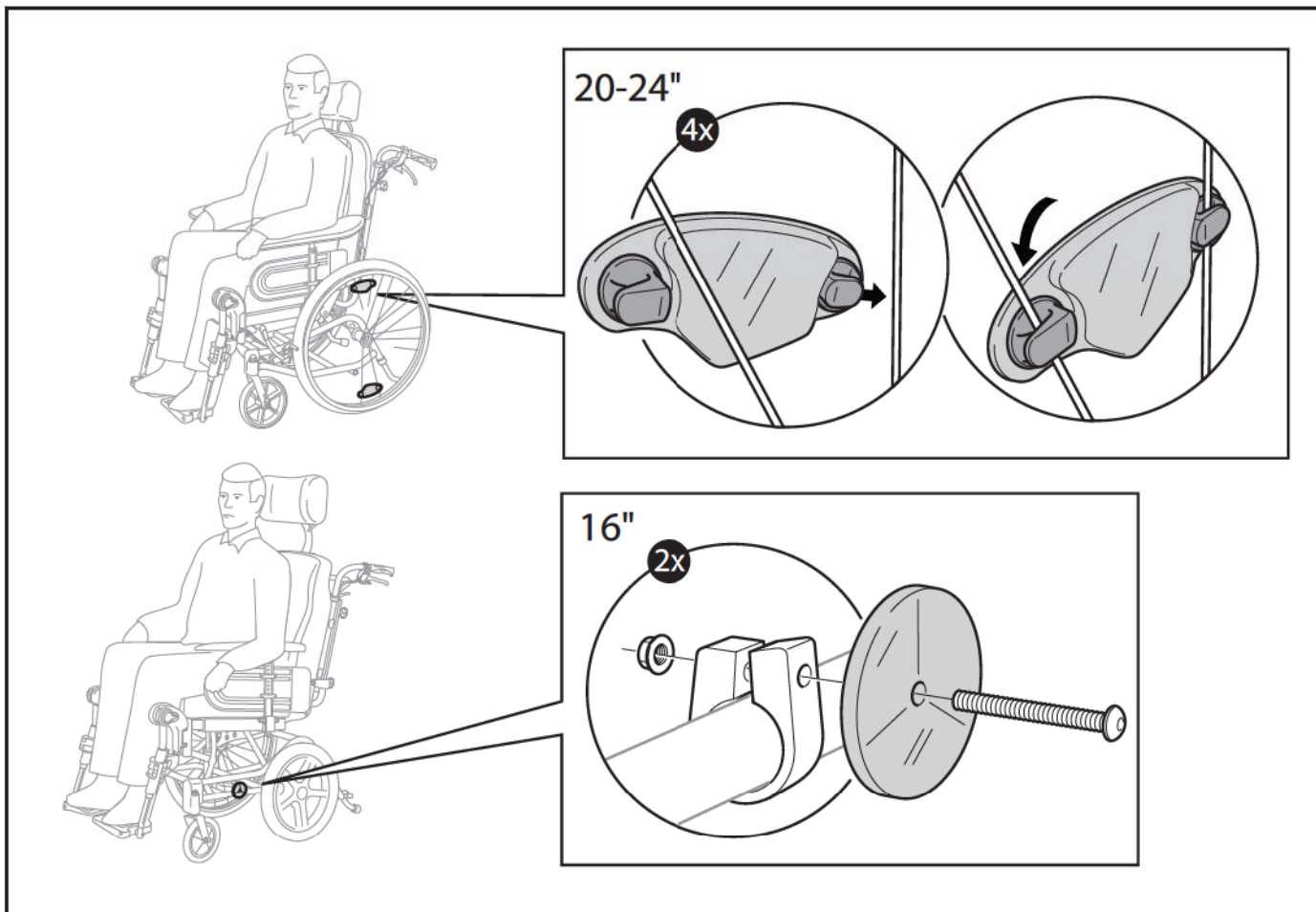
***Pommel***

***Footplate extender***

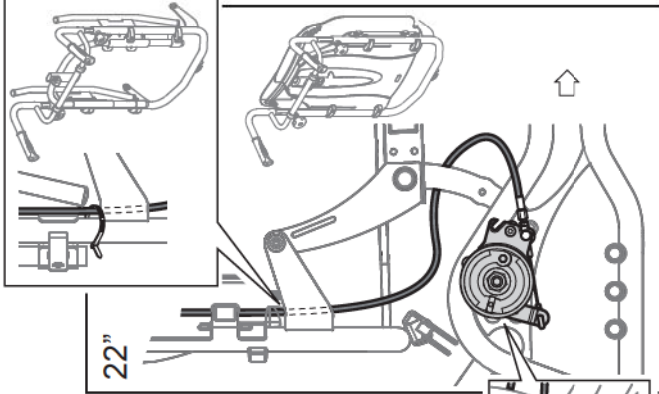
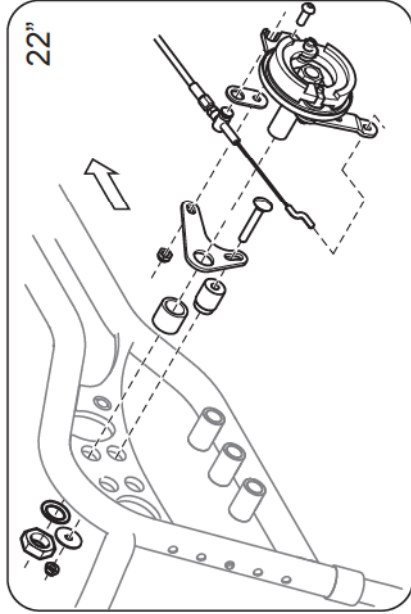
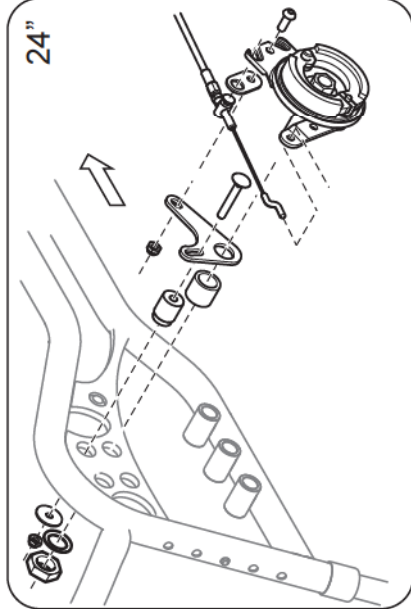
***Chassis extender***

***Cane holder***

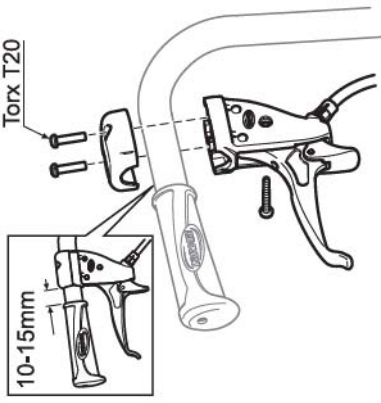
# Mounting instructions Reflector kit, Azalea



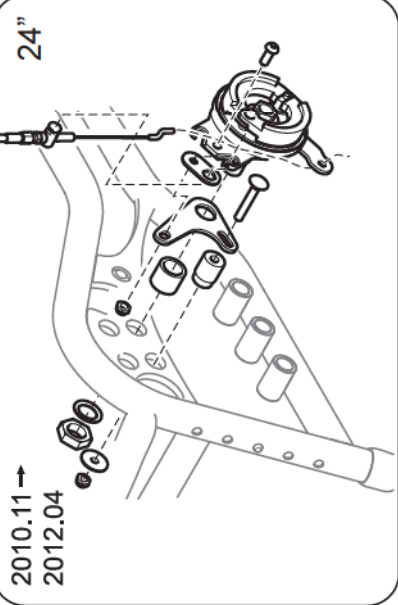
Flex3 backrest 2012.04 →



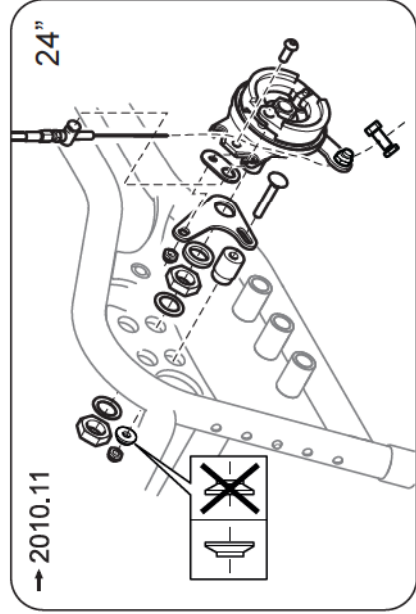
2010.11 →



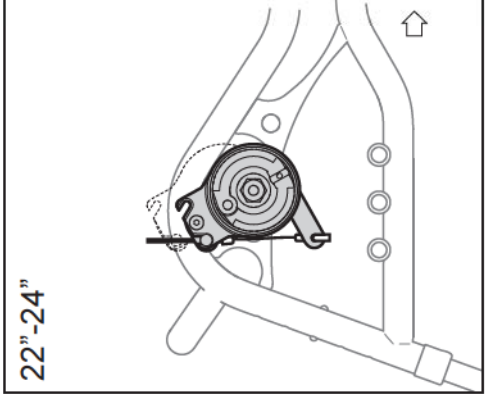
Flex2 backrest



2010.11 →  
2012.04

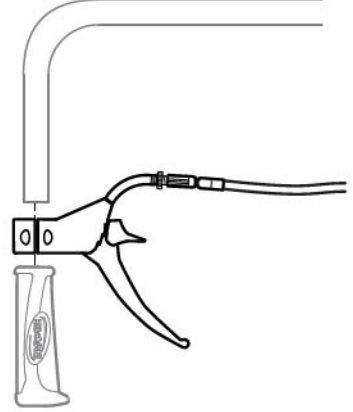


→ 2010.11



22"-24"

→ 2010.11

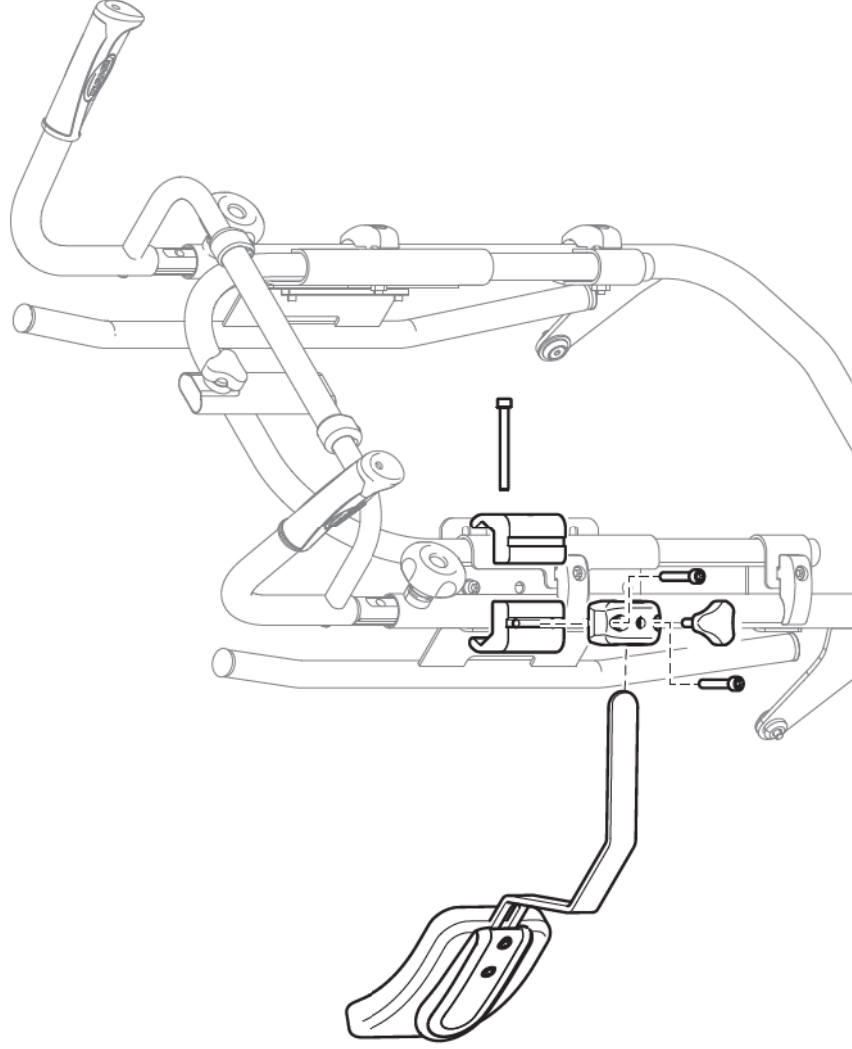
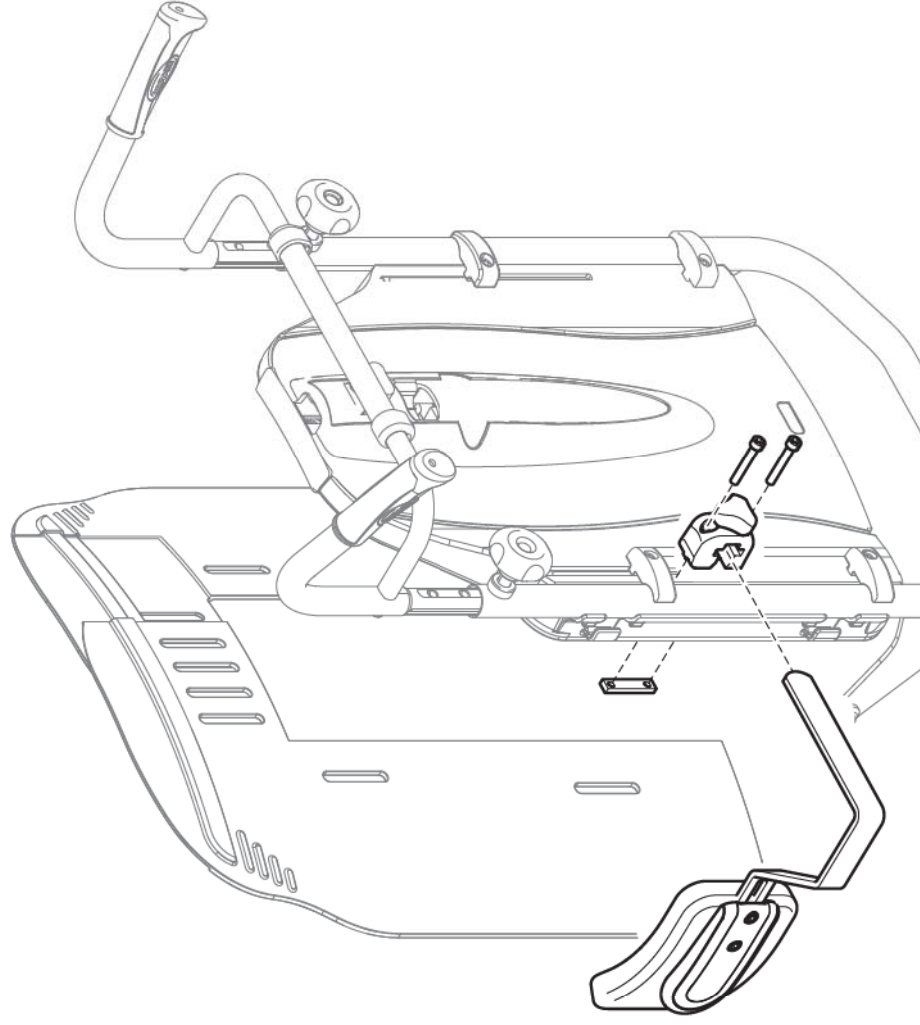




Yes, you can.<sup>®</sup>

## Mounting instructions Trunksupport Flex3

2012.08.24-2

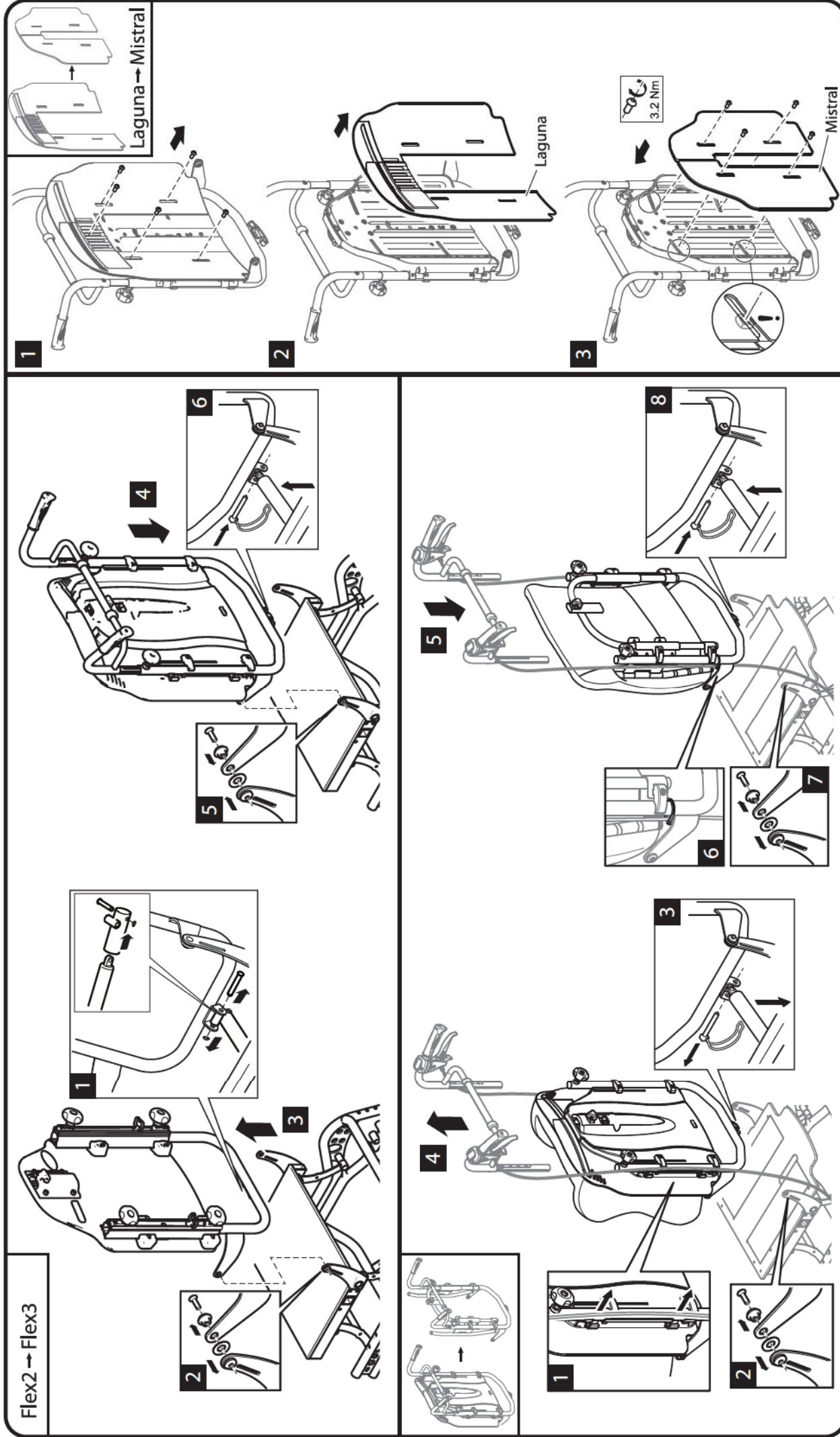


INVACARE<sup>®</sup> REA<sup>®</sup> AB  
Växjövägen 303, 343 75 Diö, Sweden  
[www.invacare-rea.com](http://www.invacare-rea.com)

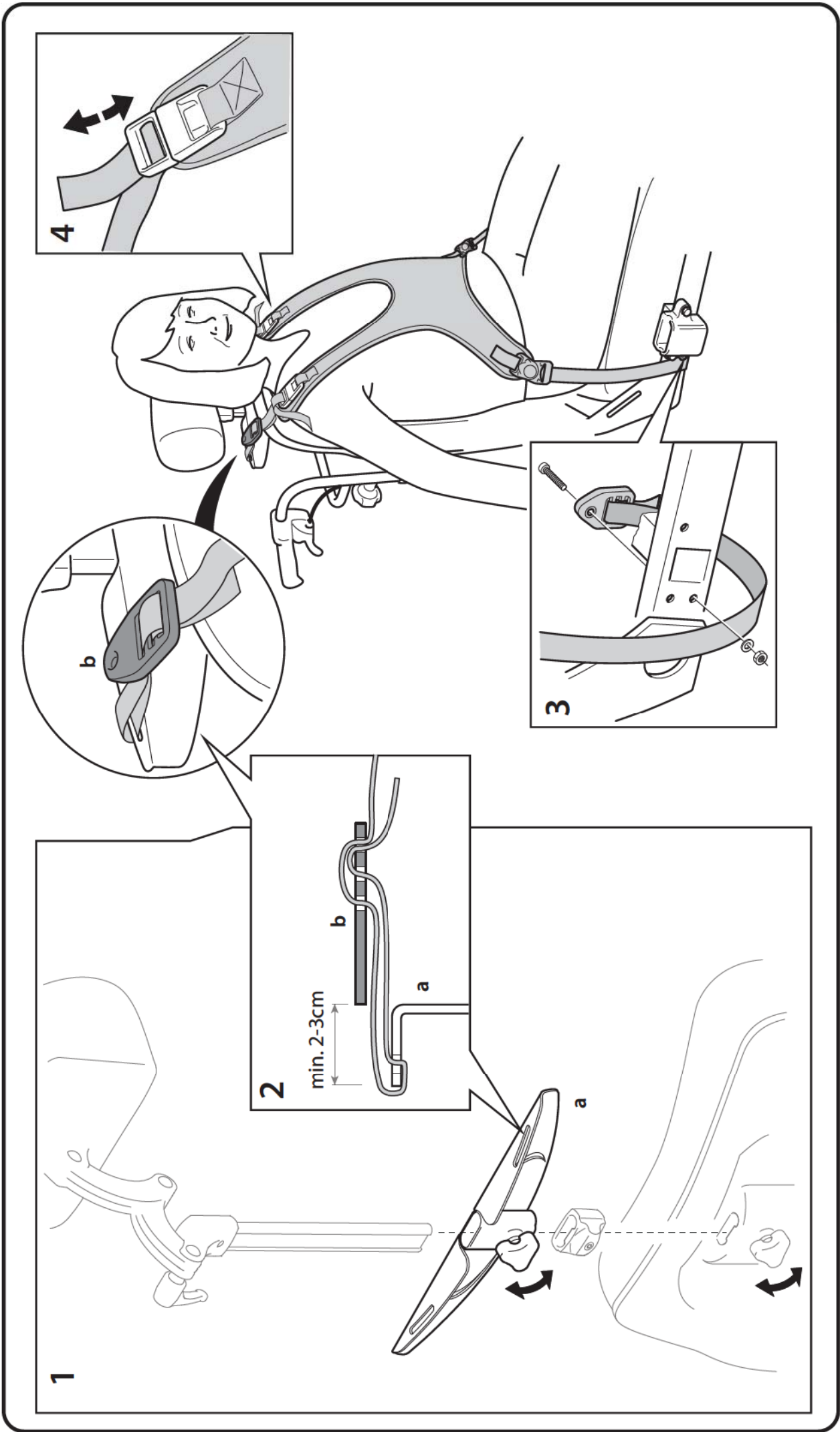
Art.no. 1561548



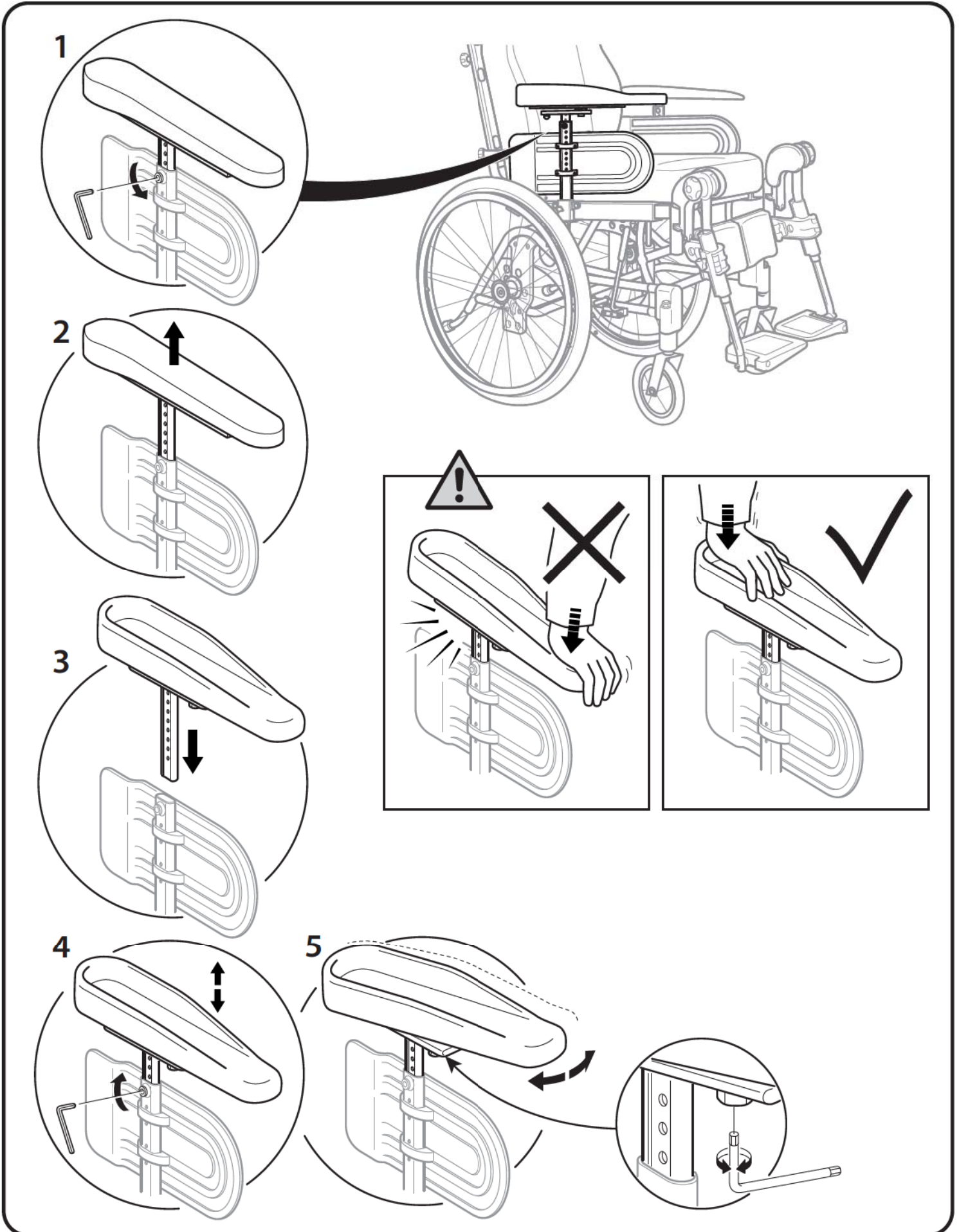
Mounting instructions  
Flex3 Backrest



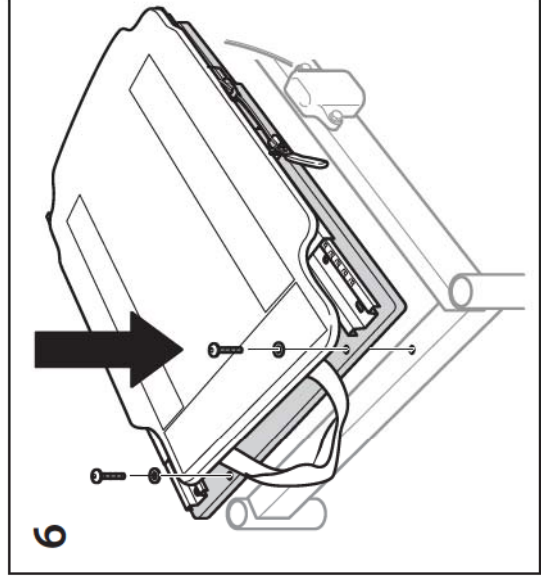
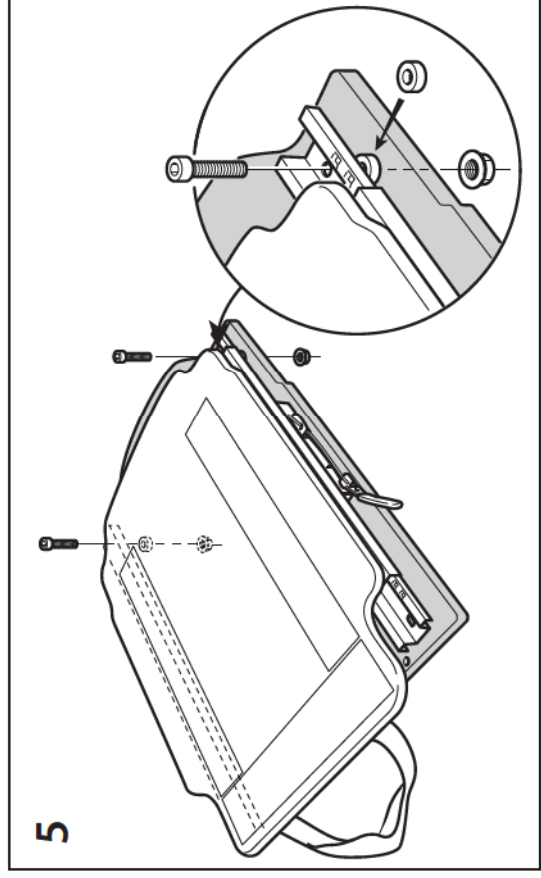
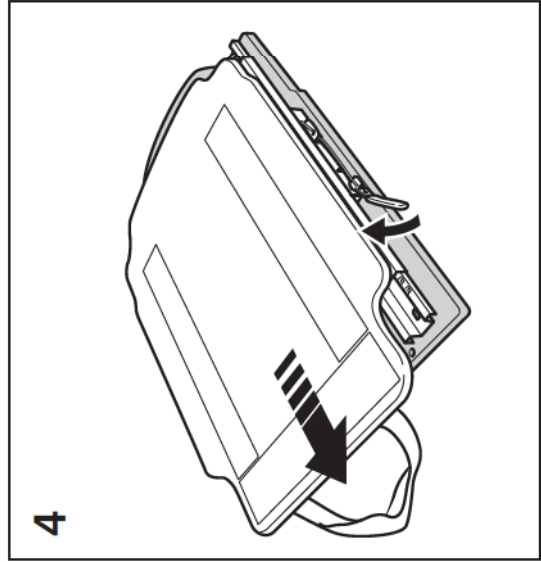
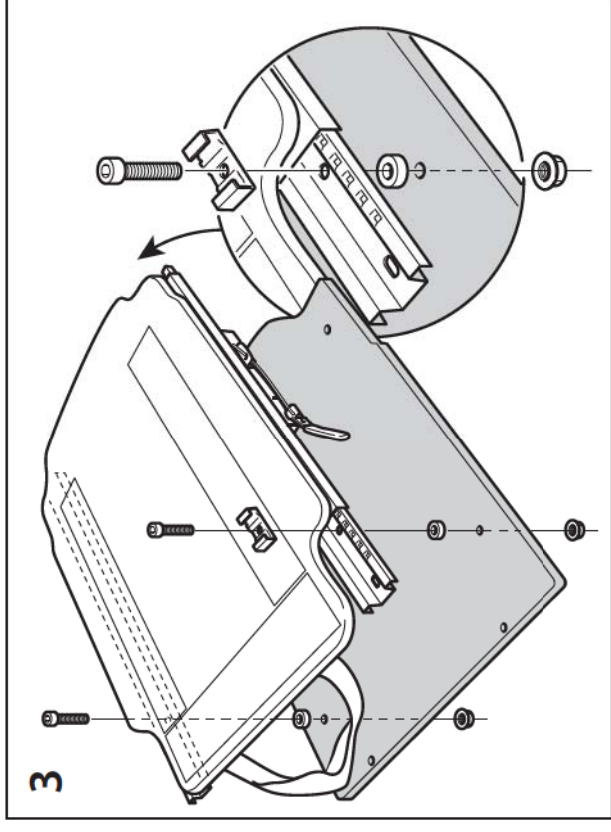
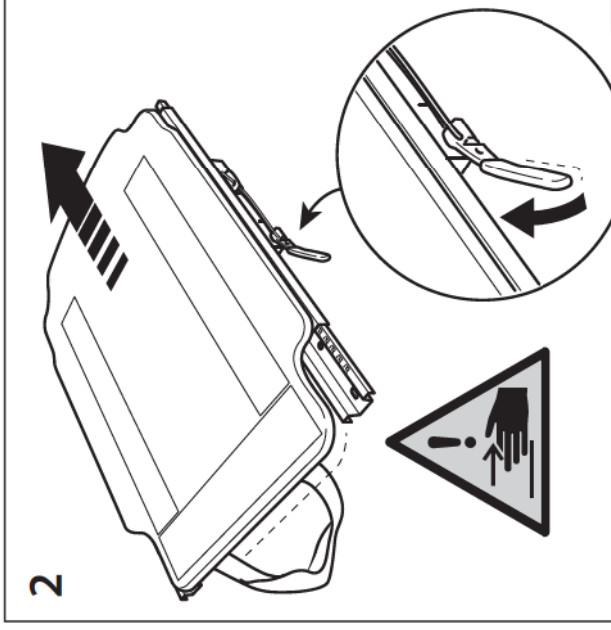
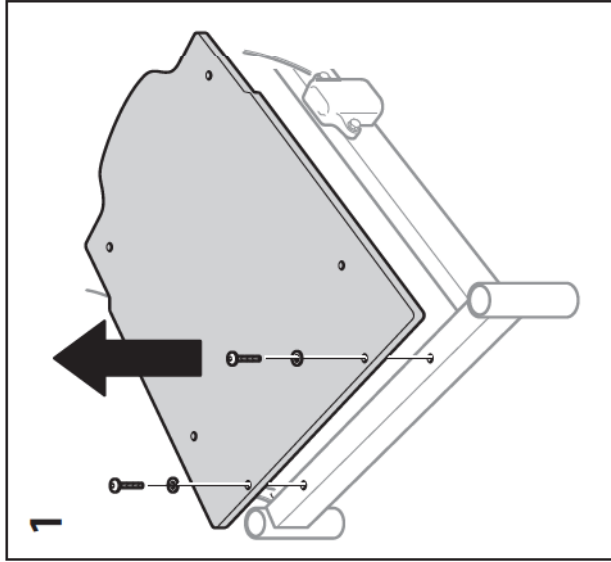
# Mounting instructions X-harness, Flex3 Backrest



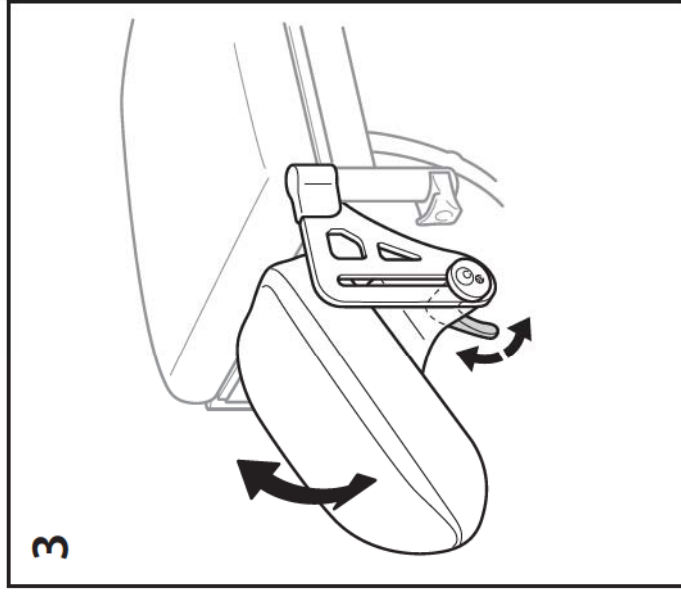
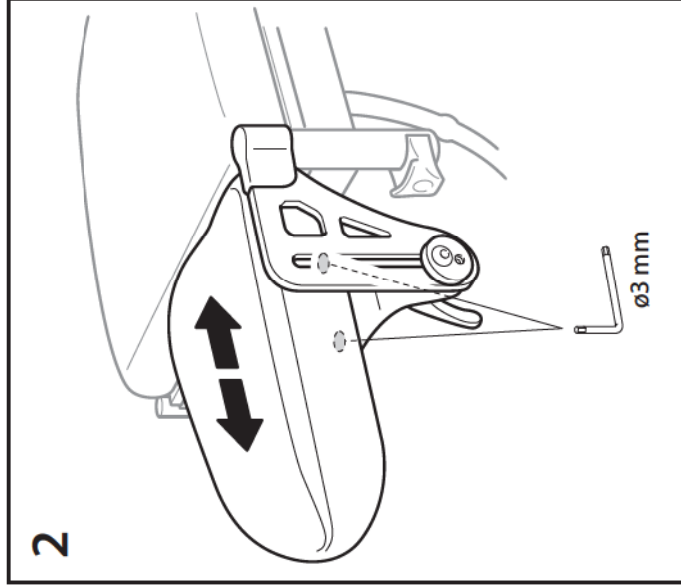
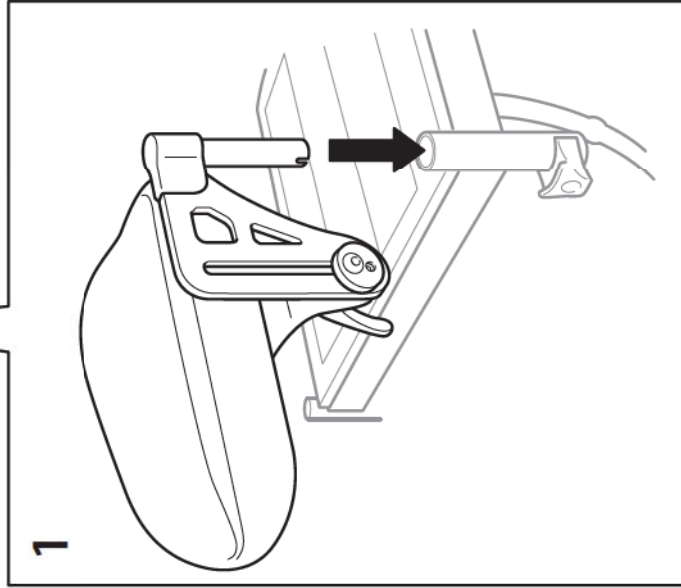
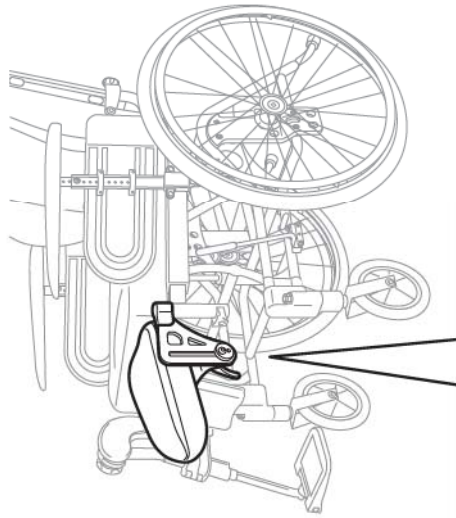
# Mounting instructions Hemi armrest





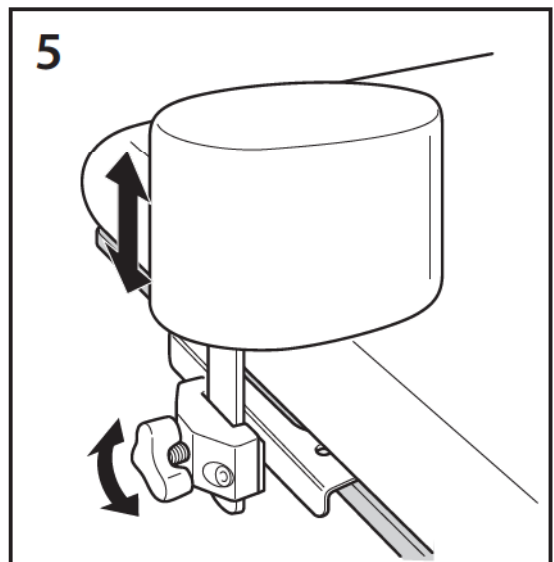
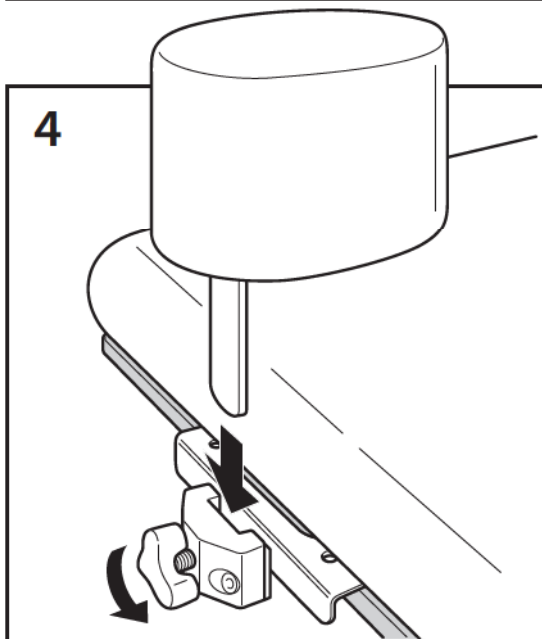
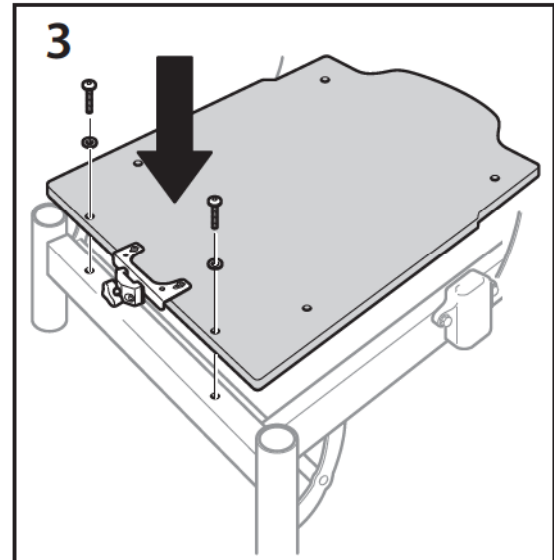
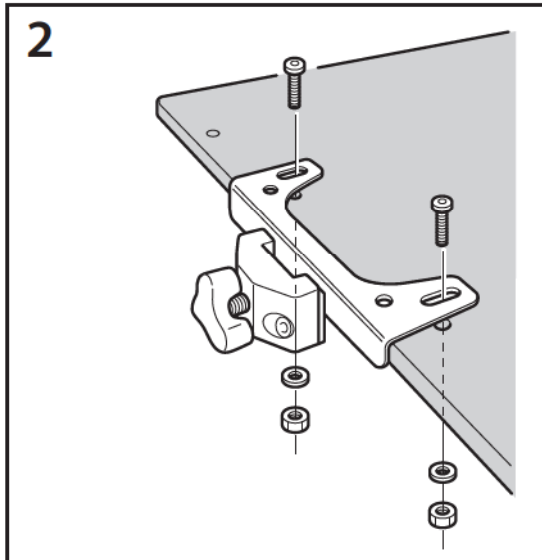
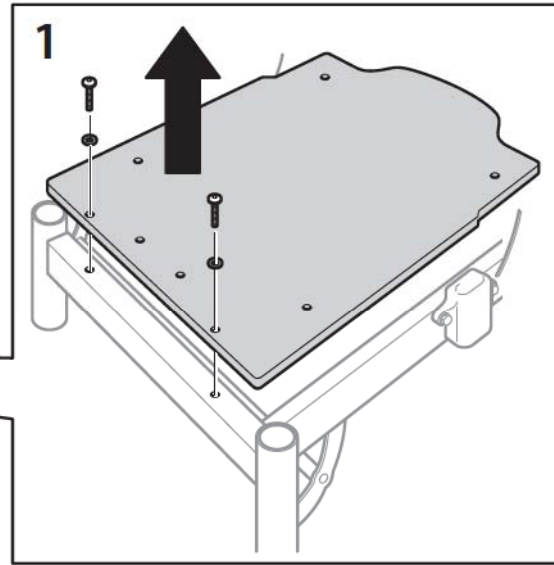
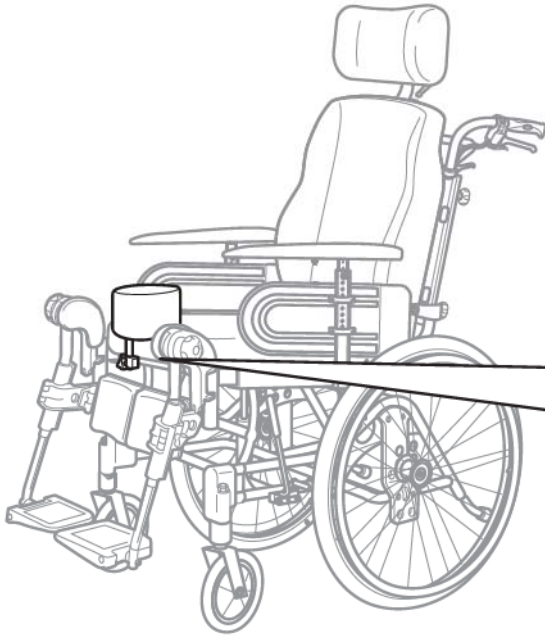


# Mounting instructions Amputation legrest

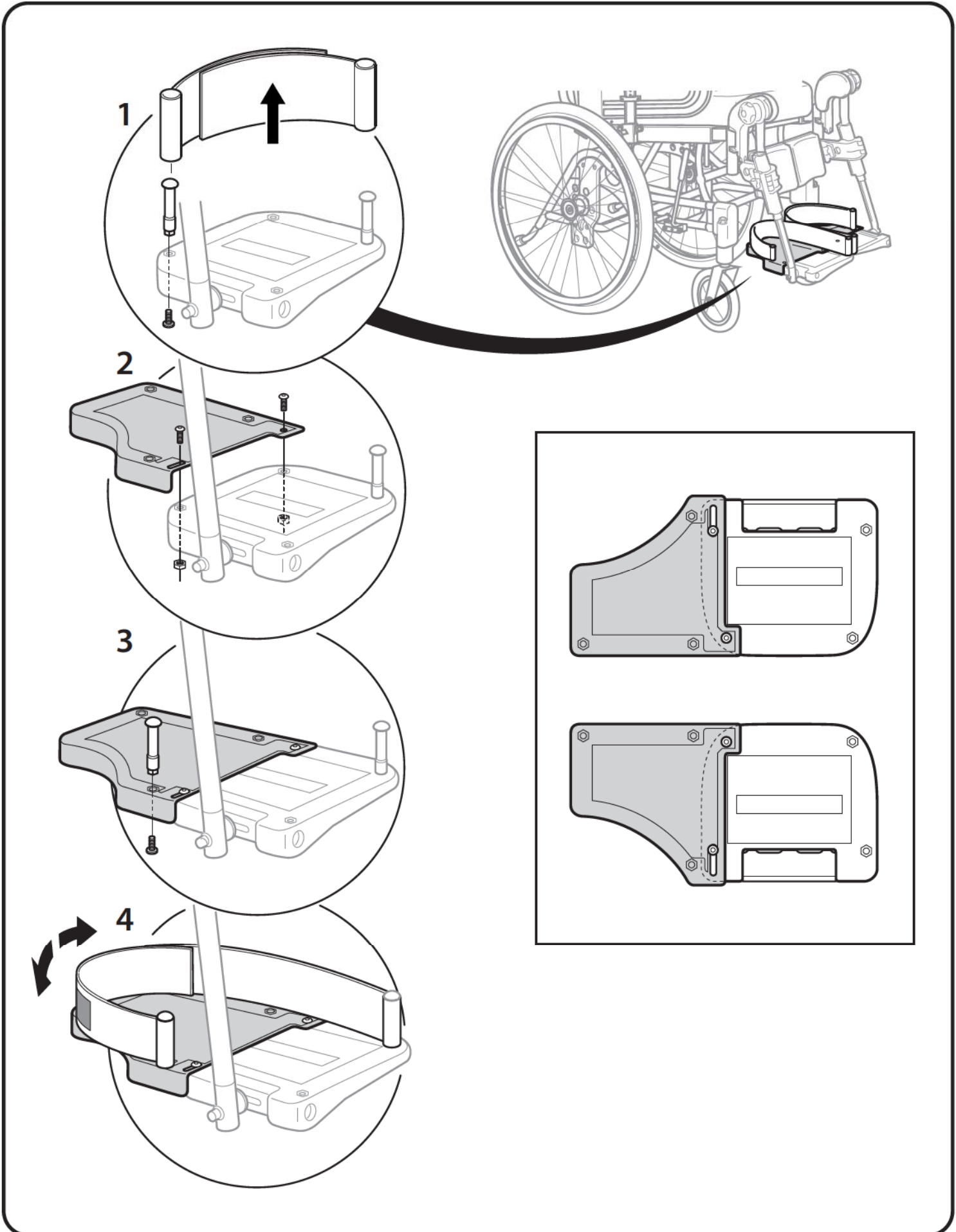


# Mounting instructions

## Pommel, Azalea



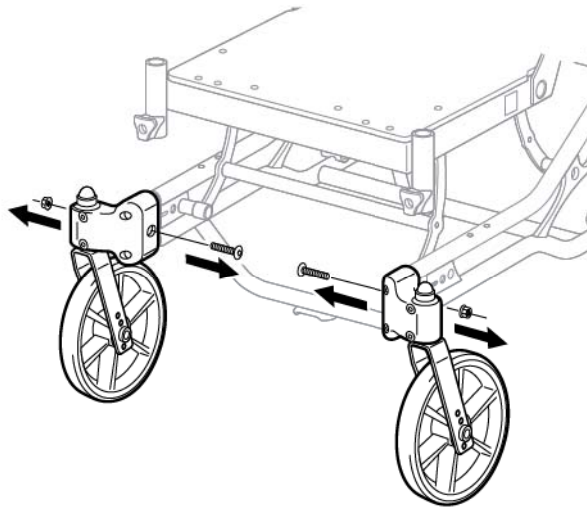
# Mounting instructions Footplate extender



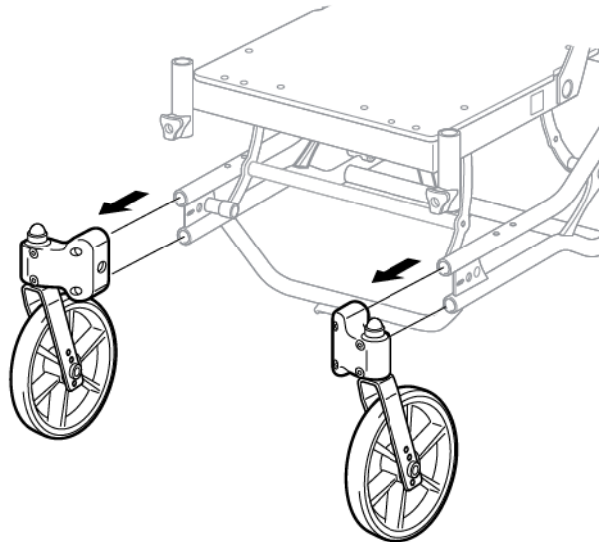


# Mounting instructions Chassis extender

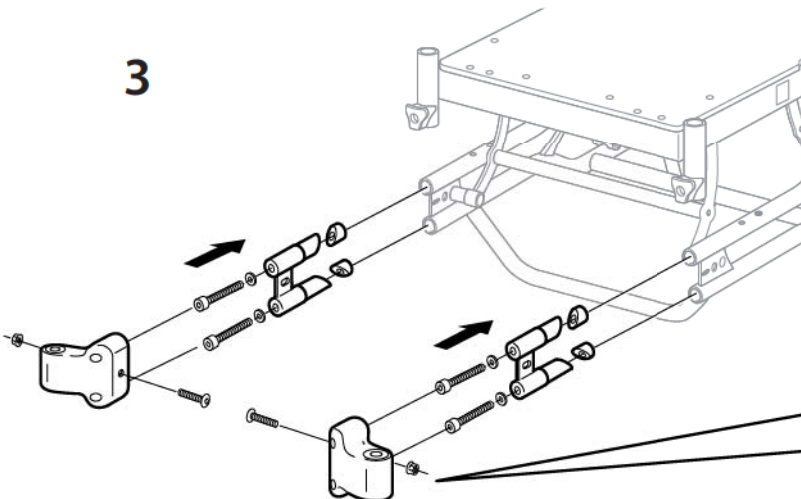
1



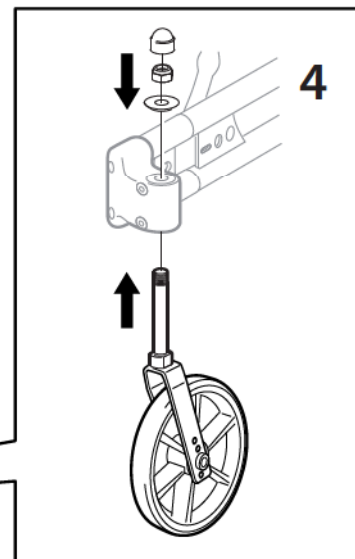
2



3



4



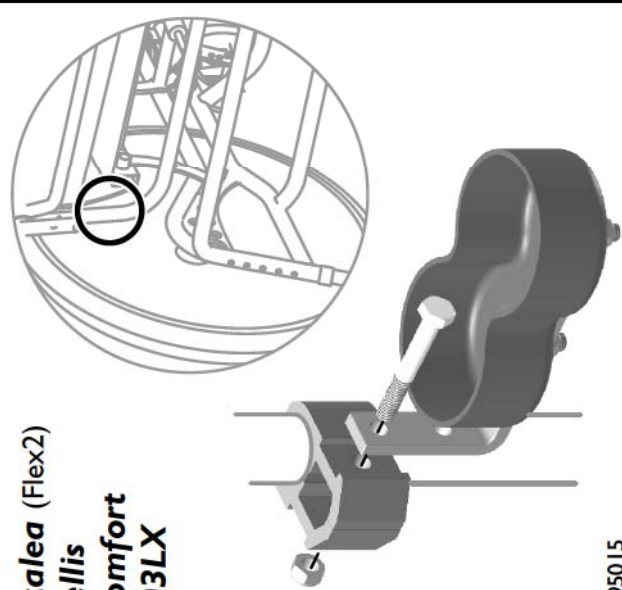


# Mounting instruction Cane holder

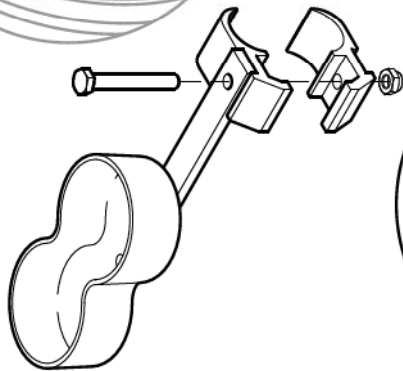


Rea® Azalea (Flex2)  
Rea® Bellis  
Rea® Comfort  
Rea® 703LX

Art.no. 5295015



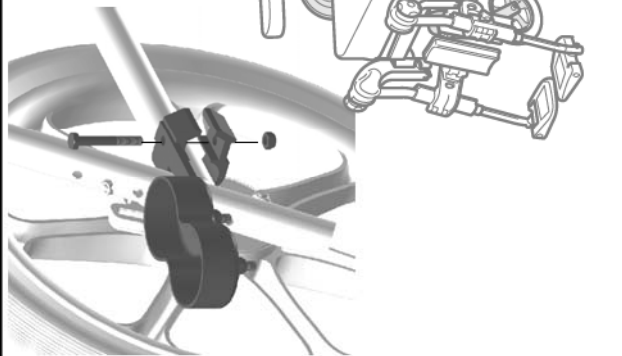
Rea® Azalea (Flex3)



Art.no. SP1560811

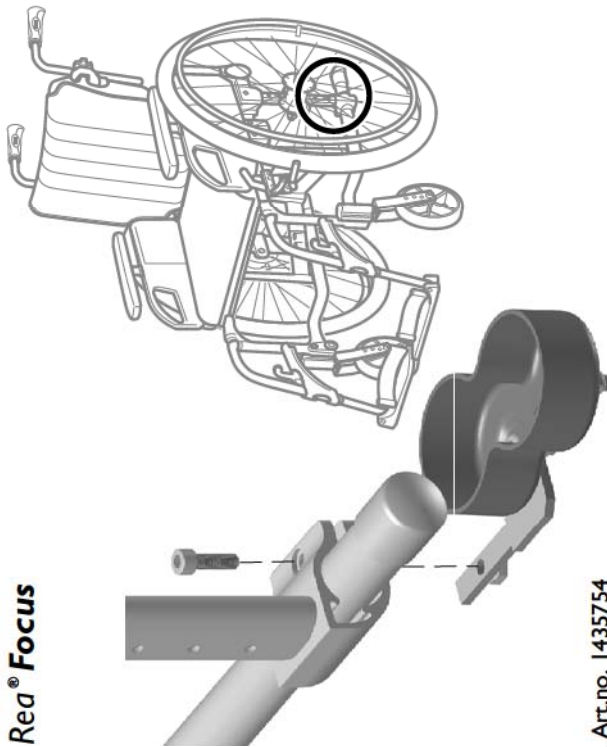


Rea® Assist



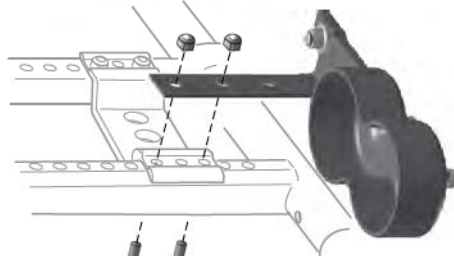
Art.no. 5254250

Rea® Focus

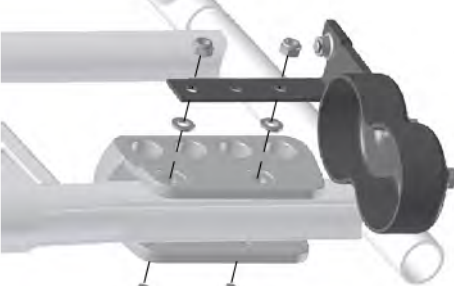


Art.no. 1435754

Rea® Spirea<sup>3</sup>



Rea® Spirea<sup>2</sup>



Art.no. 5104964