



Yes, you can.®

INVACARE France OPERATIONS SAS
Route de Saint Roch, 37230 Fondettes, France
Tel: 33 (0)247 626 466 Fax: 33 (0)247 626 488

Manual Wheelchairs
European Prescription Form

EPF-1F1-REA AZALEA-121-B

Rea™Azalea®

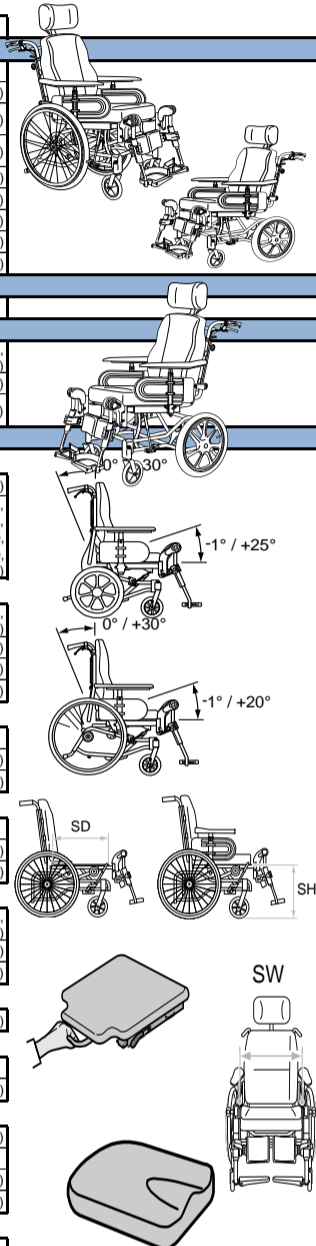


Codification of Local Prescription Form	
Azalea Assist	BNB
Azalea Minor	BNC
Rea Azalea Self Propel	BND
Rea Azalea Transit	BNE
Rea Azalea Self Propel Tall	BNF
Rea Azalea Transit Tall	BNG
Rea Azalea Tall	BNH
Rea Azalea Assist Minor	BNI

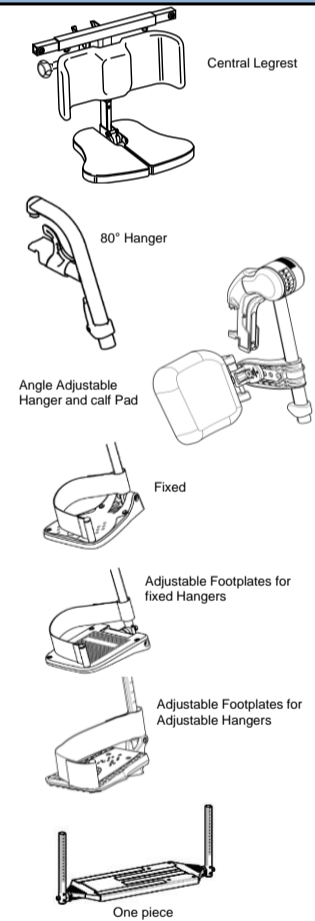
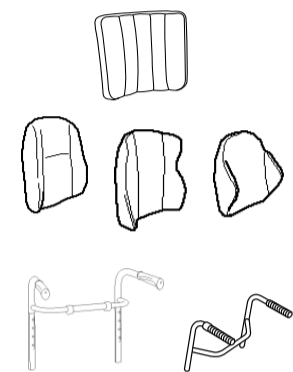
Customer Name :
Dealer :
Account No :
Address :
Tel No :
Delivery address :
Order No :
Order Qty :
Order Date :

→ Customer weight = 135 kg , for Azalea Minor 75 kg

Code	Description	
MODEL		
BNA0010	◆ REA AZALEA	
BNA0012	□ AZALEA ASSIST	(NC : 0025, 0030, 1180, 1185)
BNA0013	□ AZALEA ASSIST MINOR	ALTERNATIVE SEAT MINOR MANDATORY (NC : 0025, 0030, 0036, 0376, 1180, 1185)
BNA0014	□ AZALEA MINOR	ALTERNATIVE SEAT MINOR MANDATORY (NC : 0036, 0376, 1180, 1185)
BNA0019	□ AZALEA TALL	ALTERNATIVE SEAT TALL MANDATORY (NC : 0037, 1305)
BNA9001	□ REA AZALEA SELF PROPEL	(NC : 0020, 0036, 0037)
BNA9002	□ REA AZALEA TRANSIT	(NC : 0025, 0030, 0036, 0037, 1180, 1185)
BNA9003	□ REA AZALEA SELF PROPEL TALL	ALTERNATIVE SEAT TALL MANDATORY (NC : 0020, 0037, 1305)
BNA9004	□ REA AZALEA TRANSIT TALL	ALTERNATIVE SEAT TALL MANDATORY (NC : 0025, 0030, 0037, 1180, 1185, 1305)
SPECIAL		
BNA8000	□ SPECIAL	
PROPULSION TYPE		
BNA0020	□ TRANSIT: 16" WHEELS WITH HUB BRAKES	(NC : -1095, 1096, 1055, 1062, 1072, 1074, 1100, 1110, 1120, 1160, 1180, 1185)
BNA0025	◆ SELF PROPELLED: 24"/22" WHEELS WITH USER BRAKES	(NC : 0075, 0605, 0635, 1047, 1076, 1305)
BNA0030	□ SELF- AND ASSISTANT PROPELLED: 24" / 22" WHEELS WITH HUB BRAKES	(NC : 0075, 0605, 0635, 1095, 1047, 1072, 1074, 1305)
SEAT DIMENSIONS		
ALTERNATIVE SEAT MODELS		
BNA0036	□ TALL (+ 50 MM IN SEAT HEIGHT-DEPTH AND CHASSI LENGTH)	(NC : 0038, 0095, 0100, 0110, 0120, 0140, 0340)
BNA0037	□ MINOR (- 50 MM IN SEAT DEPTH AND - 30 MM IN CHASSI LENGTH)	(NC : 0040, 0050, 0060, 0100, 0105, 0125, 0140, 0160, 0164, 0170, 0175, 0210, 0220, 0221, 0223, 0225, 0228, 0230, 0270, 0280, 0290, 0305, 0335, 0337, 0343, 0360, 0370, 0376, 0400, 0450, 0950, 1015, 1022, 1025, 1250, 1265, 1266, 1268)
SEAT WIDTH		
BNA0038	□ 340 MM (MINOR)	(NC : 0205, 0206, 0210, 0220, 0221, 0223, 0225, 0228, 0376, 0722, 0950, 1180, 1185, 1265, 1266, 1268)
BNA0040	□ 390 MM (SMALL CHASSIS)	(NC : 0217, 0218, 1205)
BNA0050	□ 440 MM (MEDIUM CHASSIS)	(NC : 0217, 0218, 1205)
BNA0060	□ 490 MM (LARGE CHASSIS)	(NC : 0206, 0217, 0218, 1205)
SEAT WIDTH EXTENSION (PRE ADJUSTMENT)		
BNA0065	□ + 50 MM	
BNA0075	□ + 100 MM	ONLY 16" REAR WHEELS (NC : 0110, 1180, 1185)
BNA0085	◆ WITHOUT SEAT WIDTH EXTENSION	(NC : 0206)
SEAT DEPTH		
BNA0095	□ 380-450 MM (AZALEA MINOR)	
BNA0100	□ 430-500 MM	(NC : 0125)
BNA0105	□ 480-550 MM (AZALEA TALL - INCL CHASSIS EXTENSION)	(NC : 0110, 0120, 0140)
SEAT HEIGHT		
BNA0110	□ 400 MM.	(NC : 0370, 0590, 0997, 1015, 1022, 1025, 1062, 1265, 1266, 1268)
BNA0120	□ 450 MM.	(NC : 1055)
BNA0125	□ 500 MM (AZALEA TALL)	(NC : 0982, 0992, 1055)
SEAT ANGLE		
BNA0127	□ NEGATIVE SEAT ANGLE -1 TO +23° (STD +1 TO +24°)	(NC : 0360)
SEAT TYPE		
BNA0130	◆ DEPTH ADJUSTABLE	
BNA0140	□ SLIDING SEAT	(NC : 0720)
SEAT CUSHION		
BNA0164	□ CUSHION MATRIX CONTOUR VISCO NG	(NC : 0191, 0201, 0202)
BNA0165	◆ CUSHION FLOSHAPE	
BNA0170	□ CUSHION VICAIR MULTIFUNCTIONAL (BLACK)	(NC : 0191, 0201, 0202)
BNA0180	□ WITHOUT SEAT CUSHION	SEAT PLATE ONLY (NC : 0191, 0201, 0202)
SEAT UPHOLSTERY		
BNA0191	◆ BLACK PLUSH TR35	
BNA0201	□ BLACK PU TR26	MUTLI STRETCH PU COATED FABRIC
BNA0202	□ BLACK SPACER TR36	

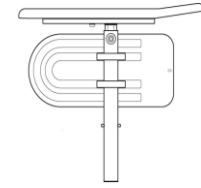


BACKREST			
BACKREST WIDTH EXTENSION (PRE ADJUSTMENT)			
BNA0205	<input type="checkbox"/>	+ 50 MM	(NC : 0215, 0221, 0223, 0225, 0228)
BNA0206	<input type="checkbox"/>	+ 100 MM	(NC : 0215, 0220, 0221, 0223, 0225, 0228)
BNA0207	<input checked="" type="checkbox"/>	WITHOUT BACKREST WIDTH EXTENSION	
BACKREST TYPE			
BNA0210	<input type="checkbox"/>	FLEX 3 BACKREST, FIXED PLATE (WIDTH ADJUSTABLE)	(NC : 0233, 0234, 0240, 0341, 0343, 0771, 0905)
BNA0217	<input type="checkbox"/>	FLEX 2 BACKREST (TENSION ADJ. AZALEA MINOR)	(NC : 0233, 0234, 0337, 0343, 0771, 0925)
BNA0218	<input type="checkbox"/>	FLEX 2 BACKREST (FIXED, AZALEA MINOR)	(NC : 0233, 0234, 0240, 0337, 0343, 0771, 0905)
BNA0220	<input checked="" type="checkbox"/>	FLEX 3 BACKREST, TENSION ADJUSTABLE (WIDTH ADJUSTABLE)	(NC : 0233, 0234, 0341, 0343, 0771, 0925)
BNA0221	<input type="checkbox"/>	MATRX ELITE E2, (INCL. HARDWARE MOUNTED TO FRAME, BACKREST SUPPLIED IN BOX)	BACKREST HEIGHT MATRX BACKRESTS MANDATORY 5 DAYS ADDITIONNAL LEAD TIME (NC : 0240, 0250, 0260, 0270, 0280, 0290, 0305, 0311, 0321, 0322, 0335, 0337, 0340, 0341, 0800, 0810, 0820, 0830, 0840, 0850, 0860, 0870, 0880, 0890, 0895, 0896, 0900, 0905, 0910, 0920, 0925, 1205)
BNA0223	<input type="checkbox"/>	MATRX ELITE DEEP E2, (INCL. HARDWARE MOUNTED TO FRAME, BACKREST SUPPLIED IN BOX)	BACKREST HEIGHT MATRX BACKRESTS MANDATORY 5 DAYS ADDITIONNAL LEAD TIME (NC : 0240, 0250, 0260, 0270, 0280, 0290, 0305, 0311, 0321, 0322, 0335, 0337, 0340, 0341, 0800, 0810, 0820, 0830, 0840, 0850, 0860, 0870, 0880, 0890, 0895, 0896, 0900, 0905, 0910, 0920, 0925, 1205)
BNA0225	<input type="checkbox"/>	MATRX POSTURE BACK, (INCL. HARDWARE MOUNTED TO FRAME, BACKREST SUPPLIED IN BOX)	BACKREST HEIGHT MATRX BACKRESTS MANDATORY 5 DAYS ADDITIONNAL LEAD TIME (NC : 0240, 0250, 0260, 0270, 0280, 0290, 0305, 0311, 0321, 0322, 0335, 0337, 0340, 0341, 0800, 0810, 0820, 0830, 0840, 0850, 0860, 0870, 0880, 0890, 0895, 0896, 0900, 0905, 0910, 0920, 0925, 1205)
BNA0228	<input type="checkbox"/>	MATRX ELITE TR, (INCL. HARDWARE MOUNTED TO FRAME, BACKREST SUPPLIED IN BOX)	BACKREST HEIGHT MATRX BACKRESTS MANDATORY 5 DAYS ADDITIONNAL LEAD TIME (NC : 0240, 0250, 0260, 0270, 0280, 0290, 0305, 0311, 0321, 0322, 0335, 0337, 0340, 0341, 0800, 0820, 0840, 0860, 0880, 0895, 0896, 0900, 0905, 0910, 0920, 0925, 1205)
BNA0230	<input type="checkbox"/>	BACKREST TUBES WITHOUT BACKREST	(NC : 0233, 0234, 0240, 0250, 0260, 0270, 0280, 0290, 0300, 0305, 0311, 0321, 0322, 0335, 0337, 0340, 0341, 0740, 0771, 0800, 0810, 0820, 0830, 0840, 0850, 0860, 0870, 0880, 0890, 0895, 0896, 0900, 0905, 0910, 0920, 0925)
BACKREST HEIGHT MATRX BACKRESTS			
BNA0233	<input type="checkbox"/>	MATRX HEIGHT 41 CM	
BNA0234	<input type="checkbox"/>	MATRX HEIGHT 51 CM	
BACKREST COVER/ CUSHION			
BNA0240	<input checked="" type="checkbox"/>	COVER, LATERAL	
BNA0250	<input type="checkbox"/>	CUSHION, LAGUNA (LATERAL SUPPORT)	(NC : 0905)
BNA0260	<input type="checkbox"/>	CUSHION, MISTRAL 2 (WAIST SUPPORT)	(NC : 0322, 0840, 0850, 0860, 0870, 0905)
BNA0270	<input type="checkbox"/>	CUSHION, PASSAD 2 (SHOULDER SUPPORT)	(NC : 0905)
BNA0280	<input type="checkbox"/>	CUSHION, SHOULDER HIGH 05 (BLACK PU TR26)	(NC : 0311, 0322, 0905)
BNA0290	<input type="checkbox"/>	CUSHION, VICAIR MULTIFUNCTIONAL (BLACK)	(NC : 0305, 0311, 0321, 0322, 0840, 0850, 0860, 0870, 0905)
BNA0300	<input type="checkbox"/>	WITHOUT BACKREST COVER/ CUSHION	(NC : 0305, 0311, 0321, 0322, 0905)
EXTRA LARGE BAC			
BNA0305	<input type="checkbox"/>	XL BACKREST COVER / BACKREST CUSHION	
BACKREST UPHOL!			
BNA0311	<input checked="" type="checkbox"/>	BLACK PLUSH TR35	
BNA0321	<input type="checkbox"/>	BLACK PU TR26	MUTLI STRETCH PU COATED FABRIC
BNA0322	<input type="checkbox"/>	BLACK SPACER TR36	
PUSHHANDLES			
BNA0335	<input checked="" type="checkbox"/>	PUSH HANDLES CONNECTED, NO HEAD/NECKREST ATTACHMENT	
BNA0340	<input type="checkbox"/>	PUSH HANDLES BRACED	ONLY FOR AZALEA MINOR
BNA0343	<input type="checkbox"/>	PUSH HANDLES CONNECTED, WITH REA HEAD/NECKREST ATTACHMENT	(NC : 0771)
BNA0345	<input type="checkbox"/>	PUSH BAR ANGLE ADJUSTABLE	(NC : 1266, 1268)
SEATING			
SEAT TILT AND BACKREST REGULATION TYPE			
BNA0350	<input checked="" type="checkbox"/>	ASSISTANT OPERATED GAS PISTON SEAT AND BACKREST TILT.	TILT LOCK MANDATORY
BNA0360	<input type="checkbox"/>	ELECTRICAL OPERATED SEAT AND BACKREST TILT.	(NC : 1263, 1266, 1268)
TILT LOCK			
BNA1263	<input type="checkbox"/>	TILT LOCK (LOCKING OF PRE-SET ANGLE)	
LEGRESTS / FOOTRESTS			
CENTRAL LEGRESTS TYPE			
BNA0370	<input type="checkbox"/>	CENTRAL LEGREST, INCL CALFPAD AND FOOTREST.	(NC : 0376, 0378, 0380, 0390, 0400, 0410, 0430, 0440, 0450, 0460, 0475, 0476, 0477, 0720, 0927, 0930, 0940, 0941, 0942, 1290, 1295)
LEGRESTS / HANGERS ADJUSTMENT			
BNA0375	<input checked="" type="checkbox"/>	LOW POSITION, STANDARD	
BNA0376	<input type="checkbox"/>	HIGH POSITION FOR LONGER LEGS	
BNA0378	<input type="checkbox"/>	90° HANGER ATTACHMENT	(NC : 0390, 0400, 0410, 0440, 0450, 0460)
LEGRESTS / HANGERS LH TYPE			
BNA0380	<input checked="" type="checkbox"/>	HANGER ANGLE ADJUSTABLE LH. WITH KNEE PAD AND CALF SUPPORT	(NC : 0475, 0480, 0490, 0942, 0945)
BNA0390	<input type="checkbox"/>	HANGER FIXED 80 DEG, SWING IN SWING OUT - ALU 2003, LH	(NC : 0927, 0930)
BNA0400	<input type="checkbox"/>	HANGER FIXED 90 DEG, SWING IN SWING OUT - ALU 2003, LH	(NC : 0480, 0510, 0520, 0927, 0930)
BNA0410	<input type="checkbox"/>	LEGREST AMPUTEE - ALU 2008 LH	(NC : 0475, 0476, 0477, 0480, 0490, 0510, 0520, 0927, 0930, 0941, 0942, 0945)
BNA0420	<input type="checkbox"/>	WITHOUT LEGREST, LH	(NC : 0475, 0476, 0477, 0480, 0490, 0510, 0520, 0927, 0930, 0941, 0942, 0945)
LEGRESTS / HANGERS RH TYPE			
BNA0430	<input checked="" type="checkbox"/>	HANGER ANGLE ADJUSTABLE RH. WITH KNEE PAD AND CALF SUPPORT	(NC : 0475, 0540, 0550, 0942, 0945)
BNA0440	<input type="checkbox"/>	HANGER FIXED 80 DEG, SWING IN SWING OUT - ALU 2003, RH	(NC : 0927, 0940)
BNA0450	<input type="checkbox"/>	HANGER FIXED 90 DEG, SWING IN SWING OUT - ALU 2003, RH	(NC : 0540, 0570, 0580, 0927, 0940)
BNA0460	<input type="checkbox"/>	LEGREST AMPUTEE - ALU 2008 RH	(NC : 0475, 0476, 0477, 0540, 0550, 0570, 0580, 0927, 0940, 0941, 0942, 0945)
BNA0470	<input type="checkbox"/>	WITHOUT LEGREST, RH	(NC : 0475, 0476, 0477, 0540, 0550, 0570, 0580, 0927, 0940, 0941, 0942, 0945)
FOOTRESTS ONE PIECE			
BNA0475	<input type="checkbox"/>	FOOTREST ONE PIECE DEPTH AND ANGLE ADJUSTABLE SHORT TUBE.	(NC : 0477, 0480, 0490, 0510, 0520, 0540, 0550, 0570, 0580, 0927, 0930, 0940)
BNA0476	<input type="checkbox"/>	FOOTREST ONE PIECE DEPTH AND ANGLE ADJUSTABLE LONG TUBE.	(NC : 0477, 0480, 0490, 0510, 0520, 0540, 0550, 0570, 0580, 0927, 0930, 0940)
FOOTBOX, PADDED			
BNA0477	<input type="checkbox"/>	FOOTBOX, PADDED, SHORT TUBE	(NC : 0480, 0490, 0510, 0520, 0540, 0550, 0570, 0580, 0927, 0930, 0940, 0941, 0942, 0945)
FOOTRESTS LH TYPE			
BNA0480	<input type="checkbox"/>	FOOTREST LOWER PART, FIXED WITH SHORT TUBE AND HEEL STRAP, LH.	(NC : 0927, 0930, 0941)
BNA0490	<input type="checkbox"/>	FOOTREST LOWER PART, DEPTH AND ANGLE ADJUSTABLE WITH SHORT TUBE AND HEEL STRAP, LH	
BNA0510	<input type="checkbox"/>	FOOTREST LOWER PART, FIXED WITH LONG TUBE AND HEEL STRAP, LH.	(NC : 0927, 0930, 0941)
BNA0520	<input checked="" type="checkbox"/>	FOOTREST LOWER PART, DEPTH AND ANGLE ADJUSTABLE WITH LONG TUBE AND HEEL STRAP, LH	
FOOTRESTS RH TYPE			
BNA0540	<input type="checkbox"/>	FOOTREST LOWER PART, FIXED WITH SHORT TUBE AND HEEL STRAP, RH.	(NC : 0927, 0940, 0941)
BNA0550	<input type="checkbox"/>	FOOTREST LOWER PART, DEPTH AND ANGLE ADJUSTABLE WITH SHORT TUBE AND HEEL STRAP, RH	
BNA0570	<input type="checkbox"/>	FOOTREST LOWER PART, FIXED WITH LONG TUBE AND HEEL STRAP, RH.	(NC : 0927, 0940, 0941)
BNA0580	<input checked="" type="checkbox"/>	FOOTREST LOWER PART, DEPTH AND ANGLE ADJUSTABLE WITH LONG TUBE AND HEEL STRAP, RH	

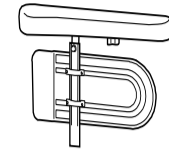


ARMRESTS (Height adjustable, Autolock attachment included)

ARMRESTS LH TYPE		
BNA0600	◆	STANDARD PAD, LH (NC : 1232)
BNA0602	□	NARROW PADDED PAD, LH (NC : 1232, 1240, 1245, 1250)
BNA0605	□	WIDE PAD, LH WITH 16" REARWHEELS ONLY (NC : 1232)
BNA0606	□	CONCAVE ARMPAD LH (NC : 1232)
BNA0607	□	REINFORCED, WIDE PAD, LH (NC : 1230, 1231, 1232, 1260)
BNA0610	□	PADDED, LH. (NC : 1230, 1231, 1232, 1250, 1260, 1295)
BNA0611	□	LOW, STANDARD PAD, LH (NC : 1230, 1231, 1232, 1295)
BNA0612	□	STANDARD PAD WITH HAND WHEEL FOR HEIGHT ADJUSTMENT, LH (NC : 1232, 1295)
BNA0615	□	HEMIPLEGIC ARMRESTS, LH. (NC : 0695, 1230, 1231, 1232, 1240, 1245, 1250, 1260, 1295)
BNA0620	□	WITHOUT ARMREST, LH (NC : 0695, 1230, 1231, 1240, 1245, 1250, 1260, 1295)



ARMRESTS RH TYPE		
BNA0630	◆	STANDARD PAD, RH (NC : 1233)
BNA0632	□	NARROW PADDED PAD, RH (NC : 1233, 1240, 1245, 1250)
BNA0635	□	WIDE PAD, RH WITH 16" REARWHEELS ONLY (NC : 1233)
BNA0636	□	CONCAVE ARMPAD RH (NC : 1233)
BNA0637	□	REINFORCED, WIDE PAD, RH (NC : 1230, 1231, 1233, 1260)
BNA0640	□	PADDED, RH. (NC : 1230, 1231, 1233, 1250, 1260, 1295)
BNA0641	□	LOW, STANDARD PAD, RH (NC : 1230, 1231, 1233, 1295)
BNA0642	□	STANDARD PAD WITH HAND WHEEL FOR HEIGHT ADJUSTMENT, RH (NC : 1233, 1295)
BNA0645	□	HEMIPLEGIC ARMRESTS, RH. (NC : 0695, 1230, 1231, 1233, 1240, 1245, 1250, 1260, 1295)
BNA0650	□	WITHOUT ARMREST, RH (NC : 0695, 1230, 1231, 1240, 1245, 1250, 1260, 1295)



SEATING OPTIONS

ARMREST OPTIONS		
BNA0680	□	SIDE SUPPORT COVER (NC : 0695)
BNA0690	□	CUSHION TO SIDE REST COVER SIDE SUPPORT COVER MANDATORY (NC : 0695)
BNA0695	□	PAD, SIDE REST

SEAT OPTIONS		
BNA0710	□	INCONTINENCE COVER
BNA0720	□	ABDUCTION CUSHION (NC : 0722)
BNA0722	□	2 CM SEAT HEIGHT INCREASED SEAT PLATE
BNA0725	□	TILT SCALE, SEATING

BACKREST OPTIONS		
BNA0730	□	HEADREST, SIDEWISE ADJUSTABLE (NC : 0750, 0770)
BNA0750	□	HEADREST WITH CHEEK SUPPORT, SIDEWISE ADJUSTABLE (NC : 0740, 0770, 0780)
BNA0740	□	COVER FOR HEADREST
BNA0770	◆	NECKREST (NC : 0771)
BNA0771	□	NECKREST MATRIX (NC : 0780, 0790, 1320)
BNA0780	□	COVER FOR NECKREST
BNA0782	□	UNIVERSAL HEAD/NECKREST HOLDER
BNA0790	□	HANDLES CLINIC KIT FOR HEAD-/NECKREST

TRUNK SUPPORT LH		
BNA0800	□	TRUNK SUPPORT MULTI ADJUSTABLE WITH STANDARD ARM (LH) (NC : 0900)
BNA0820	□	TRUNK SUPPORT MULTI ADJUSTABLE WITH EXTENDED ARM IN HEIGHT (LH) (NC : 0900)
BNA0840	□	TRUNK SUPPORT WITH STANDARD ARM (LH) (NC : 0900)
BNA0860	□	TRUNK SUPPORT WITH EXTENDED ARM IN HEIGHT (LH) (NC : 0900)
BNA0880	□	TRUNK SUPPORT SWINGAWAY (LH) (NC : 0900)
BNA0895	□	TRUNK SUPPORT MULTI ADJUSTABLE SWINGAWAY (LH) (NC : 0900)

TRUNK SUPPORT RH		
BNA0810	□	TRUNK SUPPORT MULTI ADJUSTABLE WITH STANDARD ARM (RH) (NC : 0900)
BNA0830	□	TRUNK SUPPORT MULTI ADJUSTABLE WITH EXTENDED ARM IN HEIGHT (RH) (NC : 0900)
BNA0850	□	TRUNK SUPPORT WITH STANDARD ARM (RH) (NC : 0900)
BNA0870	□	TRUNK SUPPORT WITH EXTENDED ARM IN HEIGHT (RH) (NC : 0900)
BNA0890	□	TRUNK SUPPORT SWINGAWAY (RH) (NC : 0900)
BNA0896	□	TRUNK SUPPORT MULTI ADJUSTABLE SWINGAWAY (RH) (NC : 0900)

BACKREST OPTIONS (Following)		
BNA0900	□	TRUNK SUPPORT ATTACHMENT
BNA0905	□	LATERAL POSITIONING PADS (WITH LOOP BAND BETWEEN COVER AND BACKREST UPHOLSTERY), PAIR
BNA0910	□	LUMBAR SUPPORT CUSHION
BNA0915	□	TILT SCALE, BACKREST RECLINE
BNA0920	□	WEDGES (ONE PAIR)
BNA0925	□	PRIVACY ATTACHMENT

LEGREST OPTIONS		
BNA0927	□	LOCKING FOR FOOTPLATES NOT AVAILABLE YET (NC : 0941)
BNA0930	□	FOOTPLATE EXTENDER LH (NC : 0941)
BNA0940	□	FOOTPLATE EXTENDER RH (NC : 0941)
BNA0941	□	COVER FOOTPLATE
BNA0942	□	CALF STRAP PADDED
BNA0945	□	CALF STRAP FOR FOOTREST ONE PIECE

CHASSIS

CHASSIS COLOUR		
BNA0944	□	PEARL GREY
BNA0946	◆	AZURITE
BNA0947	□	SAND
BNA0948	□	ELECTRIC GREEN
BNA0949	□	HAPPY RED

CHASSIS EXTENDER		
BNA0950	□	CHASSIS EXTENDER, CASTORS 50 MM FORWARD.

CASTOR ATTACHMENT TYPE		
BNA0960	◆	FIXED

FRONT CASTORS		
BNA0982	□	140X40 BLACK MEDIUM HARD
BNA0992	□	150X30 BLACK MEDIUM HARD
BNA1015	◆	200X30 BLACK SOLID TYRE
BNA1022	□	200X32 PNEUMATIC BLACK
BNA1025	□	200X45 BLACK SOLID TYRE

REAR WHEELS SIZE		
BNA1047	□	16" / 405 MM FIXED REAR WHEEL ATTACHMENT (NC : 1072, 1074, 1082, 1084, 1086, 1096, 1100, 1110, 1120, 1160, 1180, 1185)
BNA1055	□	22" / 560 MM QR REAR WHEEL ATTACHMENT (NC : 1096, 1265, 1266)
BNA1062	◆	24" / 600 MM QR REAR WHEEL ATTACHMENT

REAR WHEELS TYPE		
BNA1072	◆	STANDARD (BLACK HUB, COLORLESS RIM & ZINC PLATTED SPOKES) (NC : 1084, 1096, 1110, 1120)
BNA1074	□	REINFORCED (COLORLESS HUB, CLEAR ANODIZED RIM & STAINLESS STEEL SPOKES)
BNA1076	□	DRUM BRAKE (22/24" : COLORLESS HUB, CLEAR ANODIZED RIM & STAINLESS STEEL SPOKES / 16" : BLACK PLASTIC HUB & RIM) (NC : 1086)

TYRE TYPE		
BNA1082	□	PNEUMATIC PROFILED BLACK 1" 3/8
BNA1084	□	PNEUMATIC PUNCTUREPROOF / FLATFREE BLACK 1" 3/8
BNA1086	□	PNEUMATIC LOW PROFILE BLACK 1"
BNA1092	◆	TYRES SOLID BLACK 1" 3/8

HANDRIM TYPE		
BNA1100	◆	ALUMINIUM
BNA1120	□	PLASTIC COATED

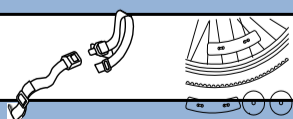
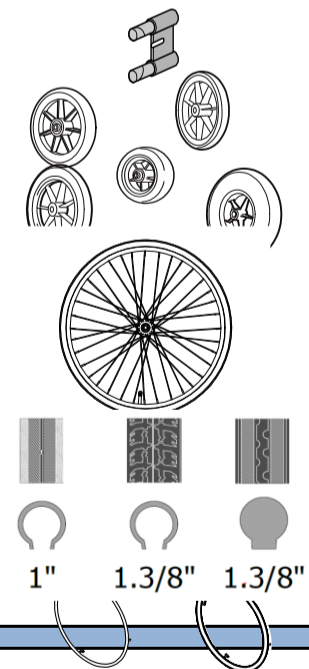
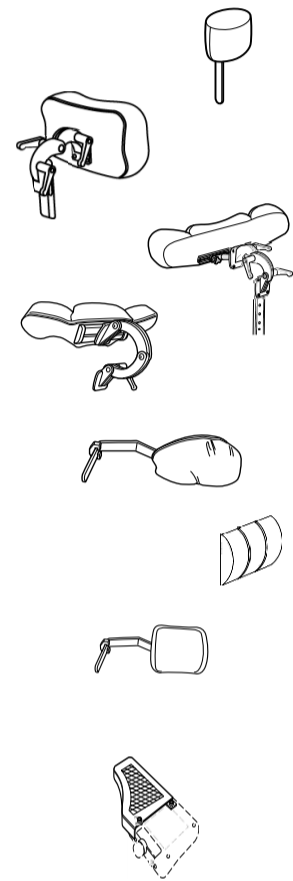
WHEEL OPTIONS		
BNA1160	□	FROST

SAFETY		
BRAKE TYPE		
BNA1170	◆	USER MANOUVERED TYRE BRAKES
BNA1180	□	ONE ARM BRAKE LH
BNA1185	□	ONE ARM BRAKE RH

SAFETY OPTIONS		
BNA1200	□	PELVIC BELT
BNA1205	□	HARNESS H TYPE
BNA1220	□	REFLECTORS KIT (WHEELS AND CHASSIS)
BNA1225	□	TRANSPORTATION BRACKETS, FRONT (FOR OCCUPIED AND NON OCCUPIED TRANSPORT)

OPTIONS		
TABLE TRAY		
BNA1230	□	TABLE TRAY INCL MOUNTING KIT (NC : 1237, 1260)
BNA1231	□	TABLE TRAY INCL MOUNTING KIT, WITH ELBOW PADS (NC : 1237, 1260)
BNA1232	□	HALF TABLE TRAY, CLEAR, FLIP UP, LH (ARMREST WITH STRAIGHT NARROW PAD INCL.) (NC : 1235, 1260, 1295)
BNA1233	□	HALF TABLE TRAY, CLEAR, FLIP UP, RH (ARMREST WITH STRAIGHT NARROW PAD INCL.) (NC : 1235, 1260, 1295)
BNA1240	□	SWING AWAY TABLE J(NC : 1236, 1237, 1250, 1260, 1295)
BNA1245	□	SWING AWAY TABLE WITH ELBOW PADS (NC : 1236, 1237, 1250, 1260)

TABLE TRAY CUSHION



BNA1235	<input type="checkbox"/>	TABLE TRAY CUSHION	
BNA1237	<input type="checkbox"/>	PADDING	
OTHER OPTIONS			
BNA1250	<input type="checkbox"/>	LOCKING DEVICE FOR TABLE TRAY	
BNA1260	<input type="checkbox"/>	MOUNTING KIT FOR TABLE (IF ORDERED SEPARATELY)	
BNA1265	<input type="checkbox"/>	MOUNTING BRACKET SCALAMOBIL	(NC : 1266 , 1268)
BNA1266	<input type="checkbox"/>	MOUNTING BRACKET VIAMOBIL	(NC : 1268)
BNA1268	<input type="checkbox"/>	MOUNTING BRACKET VIAMOBIL PLUS	
BNA1270	<input type="checkbox"/>	PUMP	
BNA1280	<input type="checkbox"/>	CANE HOLDER	
BNA1290	<input type="checkbox"/>	CLINIC KIT	(NC : 1295)
BNA1295	<input type="checkbox"/>	KIT, HAND WHEELS FOR ARM- AND LEGRESTS	
BNA1300	<input type="checkbox"/>	HARNES ATTACHMENT	NECKREST OR HEADREST MANDATORY
BNA1305	<input type="checkbox"/>	LOCKING KIT CASTOR INCL. CAR FIXATION	
BNA1310	<input type="checkbox"/>	ATTACHMENT WHEN USING THE PELVIC BELT FOR POSITIONING	
BNA1315	<input type="checkbox"/>	WASH SEALING KIT	
BNA1320	<input type="checkbox"/>	DRIP STAND	
SPECIAL			
FREIGHT & PRICE			
PACKAGING			
FREIGHT PRICE			
TOTAL PRICE			

