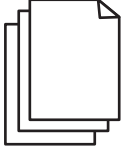
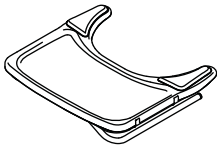
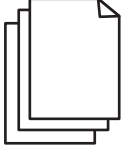

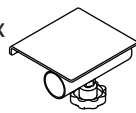
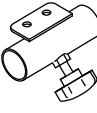
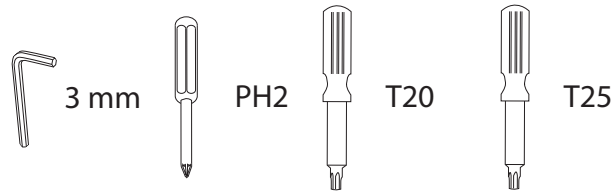


SP1586424 1 x  1 x 
 SP1586425

SP1584394 1 x  1 x 
 SP1584395

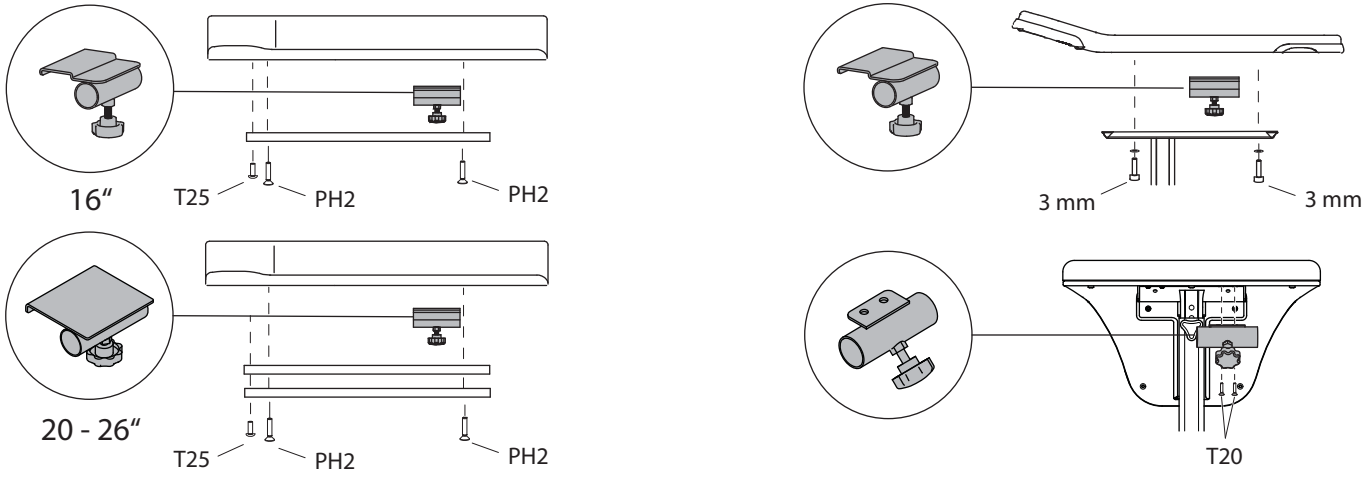
1449218 1531131 1449839
 1 x  1 x  1 x 

Invacare Rea® Azalea
 Invacare Rea® Dahlia



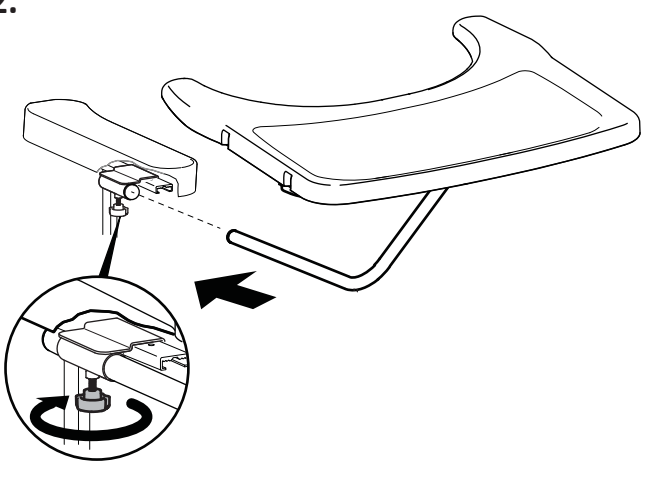
3 mm PH2 T20 T25

1.

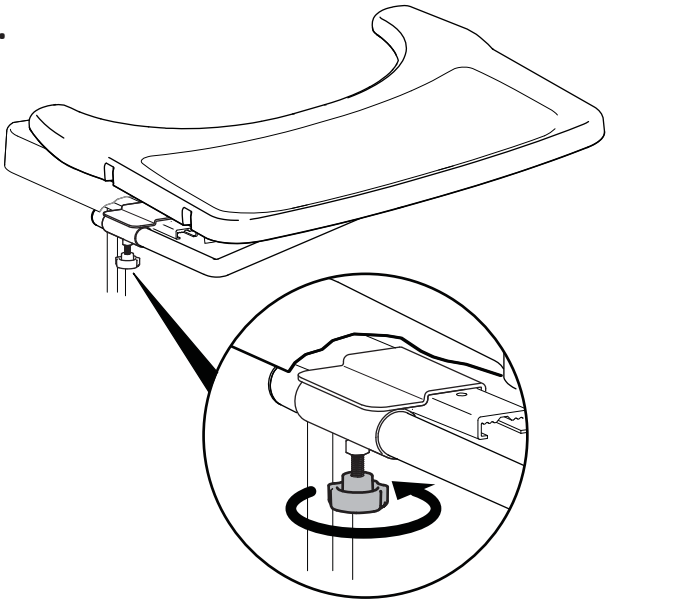


16" T25 PH2 PH2
 20 - 26" T25 PH2 PH2
 3 mm 3 mm
 T20

2.



3.




Invacare Rea AB
 Växjövägen 303
 SE-343 71 Diö
 Sweden

