

# *Spare Parts Catalogue*

---

Version: 2015/06/08b NO



**DOLOMITE® JAZZ**



**Yes, you can.®**

## **General Information**

*For any order of spare parts the following information is required:*

- Product type*
- Product name & model*
- Serial Number*
- Part-Number*
- Part-Description*

*Exploded view drawings and code numbers are not contractual and subject to modification, in relation to Invacare® continuous product improvement policy to meet end users needs.*

*The reproduction or use of this work, or of any substantial part of this work, in any form or by any electronic, mechanical or other means, including photocopying, scanning and recording, and in any information storage and retrieval system, including electronic transmission, is forbidden without the prior written permission of Invacare® International Sarl.*



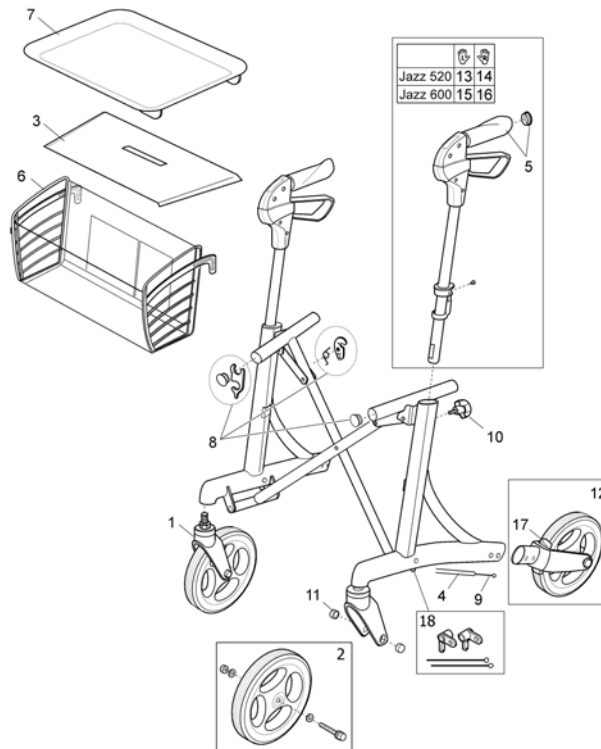
**Yes, you can.®**

## **TABLE OF CONTENTS**

---

Reservedeler .....	5
Tilbehør .....	6





SP1582521

	1452165	(User manual)	1
1	1452473	(Front fork complete with SL V wheel)	1
2	1452443	(SL V wheel complete with locking nut)	1
3	1452485	SETE KIT JAZZ	1
4	1529872	HÖLJE L=229 10-PACK (1452253) JAZZ <i>Replaces 1452479 wire and cover</i>	1
5	1452484	HOLKER HÅNDTAK PAR JAZZ	1
6	1452336	KURV JAZZ JAZZ	1
7	1452301	BRETT ROLLATOR JAZZ DOLOMITE JAZZ	1
8	1452481	FOLDEMEKANISME JAZZ DOLOMITE JAZZ	1
9	1529936	WIRE L=288,5 MM 10-PACK (1452254) JAZZ <i>Replaces 1452479 wire and cover</i>	1
10	1529861	(Knob 10 pcs) <i>Replaces 1452480 knob 2 units</i>	1
11	1452282	(Cover 20 pcs)	1
12	1513148	BAKHJUL JAZZ INKL GAFFEL VENSTRE	1
12	1518066	BAKHJUL JAZZ INKL GAFFEL HØYRE	1
13	1452482	(Brake handle left complete with nut) <i>JAZZ 520</i>	1
14	1452483	(Brake handle right complete with nut) <i>JAZZ 520</i>	1
15	1513083	KJØREHÅNDTAK VE JAZZ JAZZ 600 <i>JAZZ 600</i>	1
17	1535209	(BRAKE PAD CPL 10-PACK)	1
16	1513082	KJØREHÅNDTAK HØ JAZZ JAZZ 600 <i>JAZZ 600</i>	1
18	SP1582521	(Brakekit, Jazz 1)	1

## Tilbehør



---

1	1512912	KRYKKEHOLDER JAZZ DOLOMITE	1
2	1522062	RYGGBØYLE DOLOMITE JAZZ JAZZ	1
3	13041-21	SLEPEBREMS PAR MAXI, SYMP FUTURA ALPHA ETTER MAI 2	1





Yes, you can.®



---

**Belgium & Luxemburg:**

Invacare nv, Autobaan 22, B-8210 Loppem  
Tel: (32) (0)50 83 10 10, Fax: (32) (0)50 83 10 11  
belgium@invacare.com / www.invacare.be

**Denmark:**

Invacare A/S, Sdr. Ringvej 37, DK-2605 Brøndby  
Tel: (45) (0)36 90 00 00, Fax: (45) (0)36 90 00 01  
denmark@invacare.com / www.invacare.dk

**Deutschland:**

Invacare Aquatec GmbH, Alemannenstraße 10, D-88316 Isny  
Tel: (49) (0)75 62 7 00 0, Fax: (49) (0)75 62 7 00 66  
info@invacare-aquatec.com / www.invacare-aquatec.de

**European Distributor Organisation:**

Invacare, Kleiststraße 49, D-32457 Porta Westfalica  
Tel: (49) (0)57 31 754 540, Fax: (49) (0)57 31 754 541  
edo@invacare.com / www.invacare.eu.com

**España:**

Invacare SA, c/Areny s/n, Polígon Industrial de Celrà, E-17460 Celrà (Girona)  
Tel: (34) (0)972 49 32 00, Fax: (34) (0)972 49 32 20  
contactsp@invacare.com / www.invacare.es

**France:**

Invacare Poirier SAS, Route de St Roch, F-37230 Fondettes  
Tel: (33) (0)2 47 62 64 66, Fax: (33) (0)2 47 42 12 24  
contactfr@invacare.com / www.invacare.fr

**Ireland:**

Invacare Ireland Ltd, Unit 5 Seatown Business Campus, Seatown Road, Swords, County Dublin - Ireland  
Tel: (353) 1 810 7084, Fax: (353) 1 810 7085  
ireland@invacare.com / www.invacare.ie

**Italia:**

Invacare Mecc San s.r.l., Via dei Pini 62, I-36016 Thiene (VI)  
Tel: (39) 0445 38 00 59, Fax: (39) 0445 38 00 34  
italia@invacare.com / www.invacare.it

**Nederland:**

Invacare BV, Celsiusstraat 46, NL-6716 BZ Ede  
Tel: (31) (0)318 695 757, Fax: (31) (0)318 695 758  
nederland@invacare.com, csede@invacare.com / www.invacare.nl

**Norge:**

Invacare AS, Grensesvingen 9, Postboks 6230, Etterstad, N-0603 Oslo  
Tel: (47) (0)22 57 95 00, Fax: (47) (0)22 57 95 01  
norway@invacare.com, island@invacare.com / www.invacare.no

**Österreich:**

Invacare Austria GmbH, Herzog Odilostrasse 101, A-5310 Mondsee  
Tel: (43) 6232 5535 0, Fax: (43) 6232 5535 4  
info-austria@invacare.com / www.invacare.at

**Portugal:**

Invacare Lda, Rua Estrada Velha, 949, P-4465-784 Leça do Balio  
Tel: (351) (0)225 1059 46/47, Fax: (351) (0)225 1057 39  
portugal@invacare.com / www.invacare.pt

**Sverige & Suomi:**

Invacare AB, Fagerstagatan 9, S-163 91 Spånga  
Tel: (46) (0)8 761 70 90, Fax: (46) (0)8 761 81 08  
sweden@invacare.com, finland@invacare.com / www.invacare.se

**Switzerland:**

Invacare AG, Benkenstrasse 260, CH-4108 Witterswil  
Tel: (41) (0)61 487 70 80, Fax: (41) (0)61 487 70 81  
switzerland@invacare.com / www.invacare.ch

**United Kingdom:**

Invacare Limited, Pencoed Technology Park, Pencoed, Bridgend CF35 5AQ  
Switchboard Tel: (44) (0)1656 776200, Fax: (44) (0)1656 776201  
Customer services Tel: (44) (0)1656 776222, Fax: (44) (0)1656 776220  
uk@invacare.com / www.invacare.co.uk