

Spare Parts Catalogue

Version: 2015/06/03a NO



Invacare® **SB400**™



Yes, you can.®

General Information

For any order of spare parts the following information is required:

- Product type*
- Product name & model*
- Serial Number*
- Part-Number*
- Part-Description*

Exploded view drawings and code numbers are not contractual and subject to modification, in relation to Invacare® continuous product improvement policy to meet end users needs.

The reproduction or use of this work, or of any substantial part of this work, in any form or by any electronic, mechanical or other means, including photocopying, scanning and recording, and in any information storage and retrieval system, including electronic transmission, is forbidden without the prior written permission of Invacare® International Sarl.



Yes, you can.®

TABLE OF CONTENTS

Farge spesifikasjoner

(Steel and plastic colours)	5
(Wood types)	6

(Mattress supports)

(3-section mattress support)	7
(Mattress supports, backrest)	8
(Leg section)	9
(3-section mattress support with backrest reclining)	10
(Backrest with back reclining)	11
(Leg section)	9
(4-section mattress support)	12
(Mattress supports, backrest)	8
(Mattress supports, leg section)	13
(4-section mattress support with backrest reclining)	14
(Backrest with back reclining)	11
(Mattress supports, leg section)	13

(Bases)

(Base for castors)	15
(Shear)	16
(Base with central brake)	17
(Shear)	16
(Base with central brake for SWL 250kg)	18

(Castors and brake systems)

(Castor with brake)	19
(Braking castor ø75 mm)	20
(Castors)	21
(Braking castor ø125 mm)	22
(Central brake systems)	23
(Central brake)	24
(Central brake with direction control)	25
(ø125 mm central brake with direction control)	26

(Bed end plates)

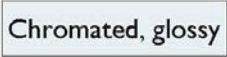

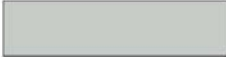

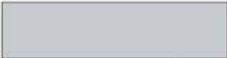
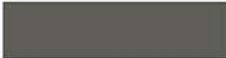


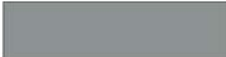
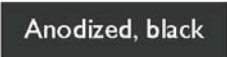


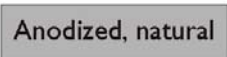







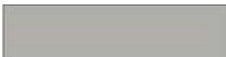



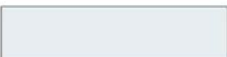
(Bed end plates)	27
(Victoria bed end)	28
(Sophie bed end)	29
(Susanne bed end)	30
(Anita bed end)	31
(Emma bed end)	32
(Sanne III bed end with rails)	33
(Piggy bed end)	34
(Oda bed end)	35
(Karin bed end)	36
(Flex III bed end)	37
(Fittings for bed end plates)	38
(Fittings with quick lock)	39



Yes, you can.®

TABLE OF CONTENTS

(Fittings with U-profile for Oda and Piggy)	40
(Electrical parts)	
(Actuator and control unit for backrest)	41
(Backrest actuator and control unit with EU plug)	42
(Backrest actuator and control unit with EU plug, V0-plastic)	43
(Backrest actuator and control unit with UK plug)	44
(Backrest actuator and control unit with AUS plug)	45
(Actuator and control unit prepare accum. backup)	46
(Actuator for thigh and leg section)	47
(Actuator for thigh and leg)	48
(Actuator for thigh and leg, V0-plastic)	49
(Actuator for height adjustment)	50
(Actuator for height adjustment)	51
(Actuator for height adjustment, V0-plastic)	52
(Actuator for height adjustment, SWL 250 kg)	53
(Battery backup with brackets)	54
(Hand control)	55
(Extension cable, handcontrol)	56
(Side rails)	
(Britt side rails)	57
(Britt II side rail, extended)	58
(Britt III side rail)	59
(Britt V side rail)	60
(Height extension, Britt siderail)	61
(Scala steel side rail)	62
(Scala Basic 2 side rail)	63
(Scala Medium 2 side rail)	64
(Scala Decubi 2 side rail)	65
(Scala Basic Plus 2 side rail)	66
(Lifting pole)	
(Lifting pole)	67




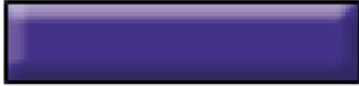




 0001	 0153	 7035
 0002	 0154	 7039
 0003	 1015	 7042
 0004	 3004	 7046
 0005	 5002	 8016
 0011	 7012	 9005
 0150	 7016	 9006
 0151	 7032	 9010
 0152	NB: Colours are for reference only Not all colours are available for all products	

-

(Not for separate sale - please contact Invacare)

1

(Wood types)

 Beech	0101		0112
 Cherry	0102		0113
 Mahogany	0103		0114
 Light beech	0105		0115
	0110		0116
	0111		0117

-

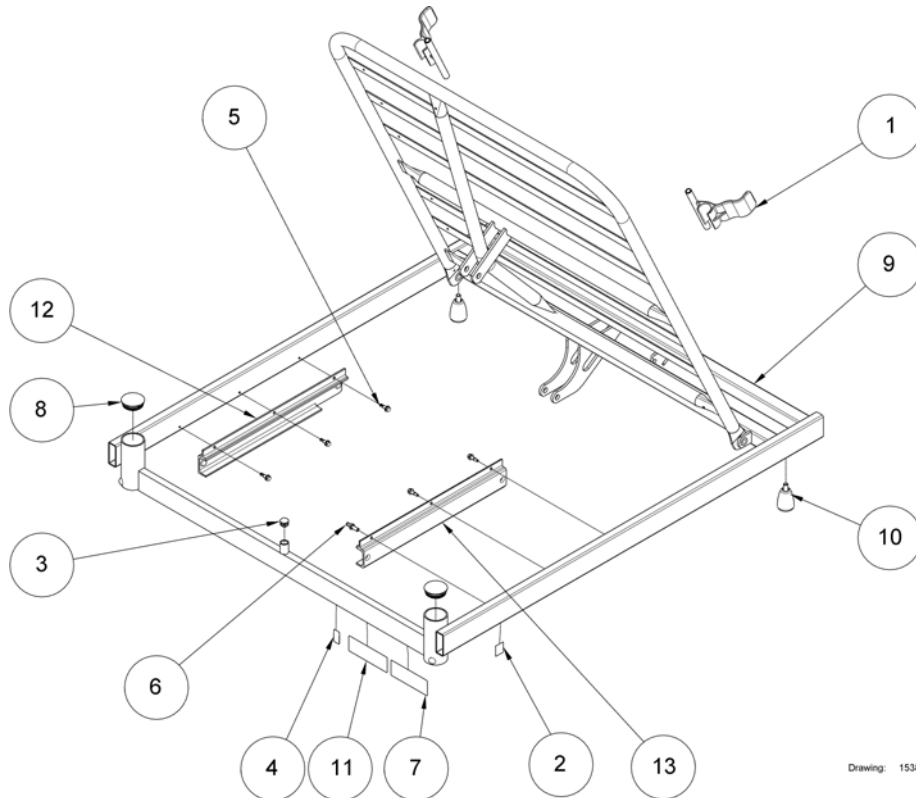
(Not for separate sale - please contact Invacare)

1

(3-section mattress support)

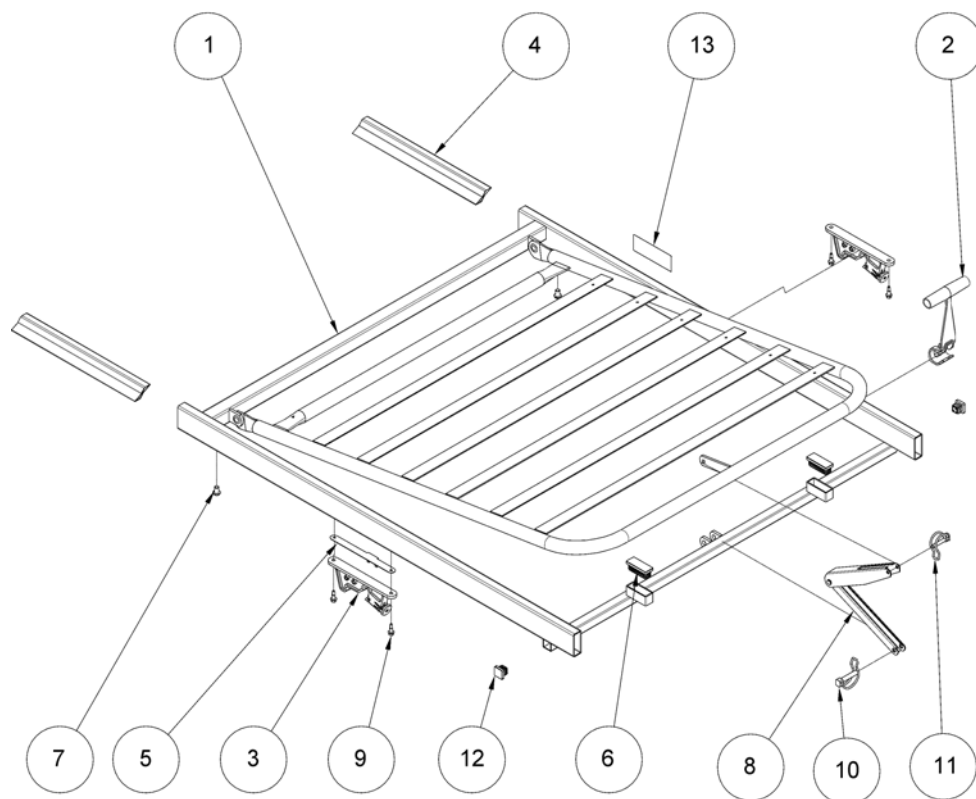
-	(Mattress supports, backrest)	1
-	(Leg section)	1

(Mattress supports, backrest)



1	SP215989-7035	(Mattress holder)	1
2	SP421438	(Sign - Potential, dim 20x24)	1
3	SP803848-7042	(End plug, SRL16)	1
4	1505835	(Not for separate sale - please contact Invacare)	0
5	SP819407	(Screw $\varnothing 5,5 \times 19$, ISO15480)	1
6	SP821239	(Plug, no. 040056)	1
7	1505835	(Not for separate sale - please contact Invacare)	0
8	SP1432700-7035	(Ferrule, $\varnothing 44 / \varnothing 40 \times 21,2$)	1
9	SP1434004-1015	(Top frame for backrest)	1
10	SP1435325-7035	(Finger screw M8x13 mm RAL7035)	1
11	SP1443854	(Warning sign)	1
12	SP1538414-1015	(Guideway for top frame head, left)	1
13	SP1538415-1015	(Guideway for top frame head, right)	1

(Leg section)

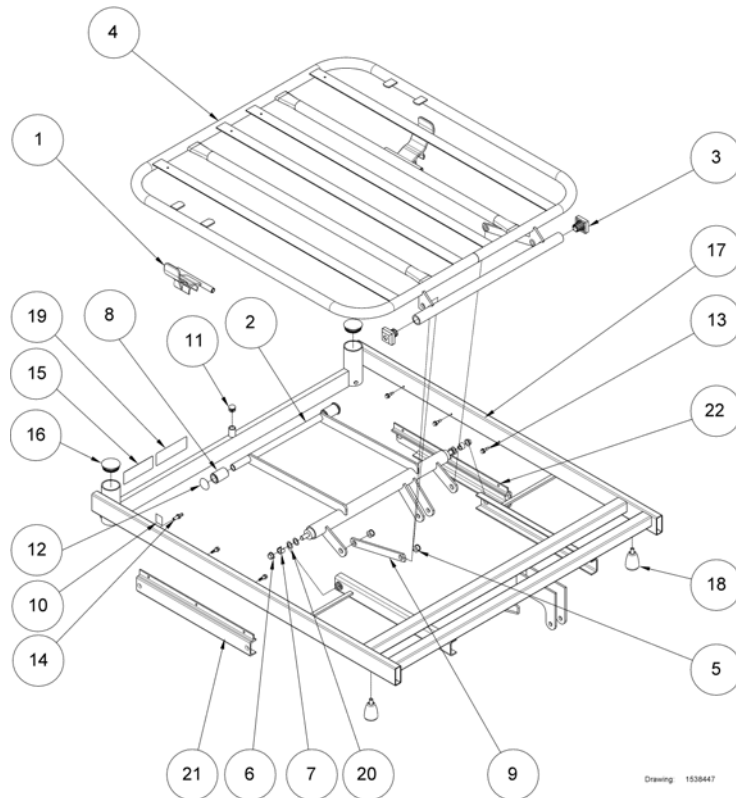


Drawing: 1538436

1	SP021903-1015	(Top frame for leg section)	1
2	SP217996-7035	(Handle for leg section RAL7035)	1
3	SP319710-7035	(Lock fittings)	1
4	SP321520-0002	(Insertion mattress, dim 45x15x1,5x315)	2
5	SP321567	(Connector plate)	1
6	SP810815-7035	(End plug VL 50x20)	1
7	SP812875	(Screw M8x12)	2
8	SP817205	(Rastofix bracket)	1
9	SP819407	(Screw ø5,5x19, ISO15480)	4
10	SP1417415	(Pipe pin, ø8x40)	1
11	SP1417416	(Pipe pin, ø6x32)	1
12	SP1423915-7035	(Ferrule, dim 20x20)	1
13	1505835	(Not for separate sale - please contact Invacare)	0

(3-section mattress support with backrest reclining)

-	(Backrest with back reclining)	0
-	(Leg section)	1

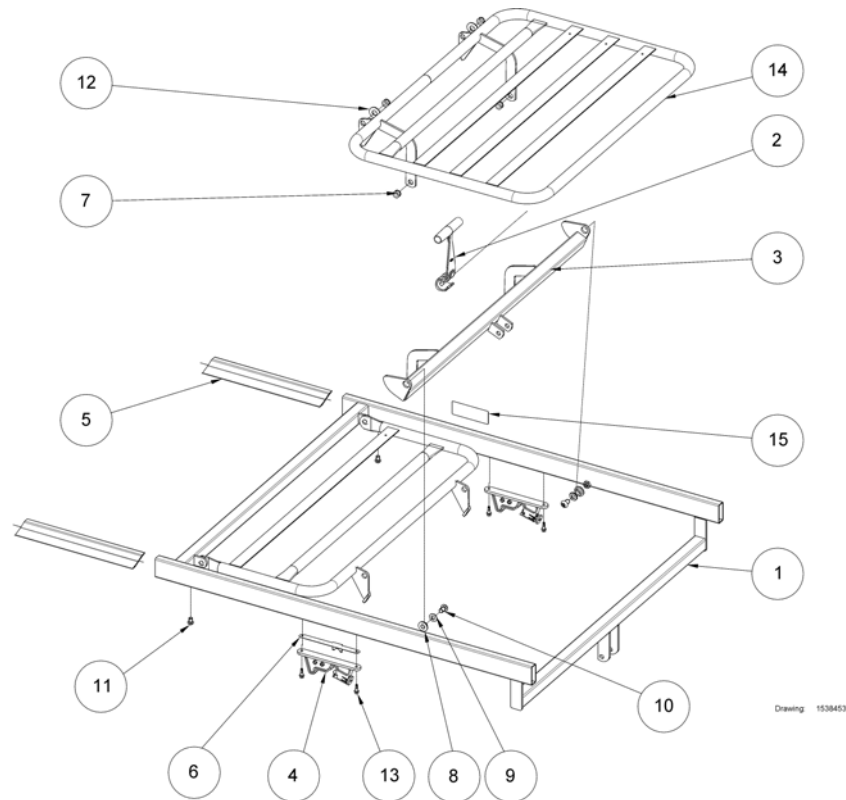
(Backrest with back reclining)

Drawing 1538447

1	SP215989-7035	(Mattress holder)	1
2	SP221112-1015	(Lifter for back reclining)	1
3	SP319155-7035	GLIDESKO33,4X33,4X32,5 # POLYACE.GRÅ, 2 ST	1
4	SP320827-1015	(Backrest with back reclining)	1
5	SP1435195	(Replacement kit (screw and nut))	1
6	SP420625-7035	(Bearing bushing $\varnothing 10,2/\varnothing 12,9/\varnothing 16,5 \times 5,7$ RAL 7035)	1
7	SP420649-7035	(Fixation tube, $\varnothing 15/\varnothing 10 \times 10$ slotted)	1
8	SP420933-9005	(Roll $\varnothing 25/\varnothing 17 \times 37$)	1
9	SP420939-1015	(Lug, 20x5x183)	1
10	SP421438	(Sign - Potential, dim 20x24)	1
11	SP803848-7042	(End plug, SRL16)	1
12	SP815764	(Starlock, $\varnothing 16$ type 6010-160)	1
13	SP819407	(Screw $\varnothing 5,5 \times 19$, ISO15480)	1
14	SP821239	(Plug, no. 040056)	1
15	1505835	(Not for separate sale - please contact Invacare)	0
16	SP1432700-7035	(Ferrule, $\varnothing 44/\varnothing 40 \times 21,2$)	1
17	SP1435181-1015	(Top frame, head end)	1
18	SP1435325-7035	(Finger screw M8x13 mm RAL7035)	1
19	SP1443854	(Warning sign)	1
20	SP1446475	(Washer $\varnothing 12 \times \varnothing 18 \times 0,5$, DIN988)	1
21	SP1538414-1015	(Guideway for top frame head, left)	1
22	SP1538415-1015	(Guideway for top frame head, right)	1

(4-section mattress support)

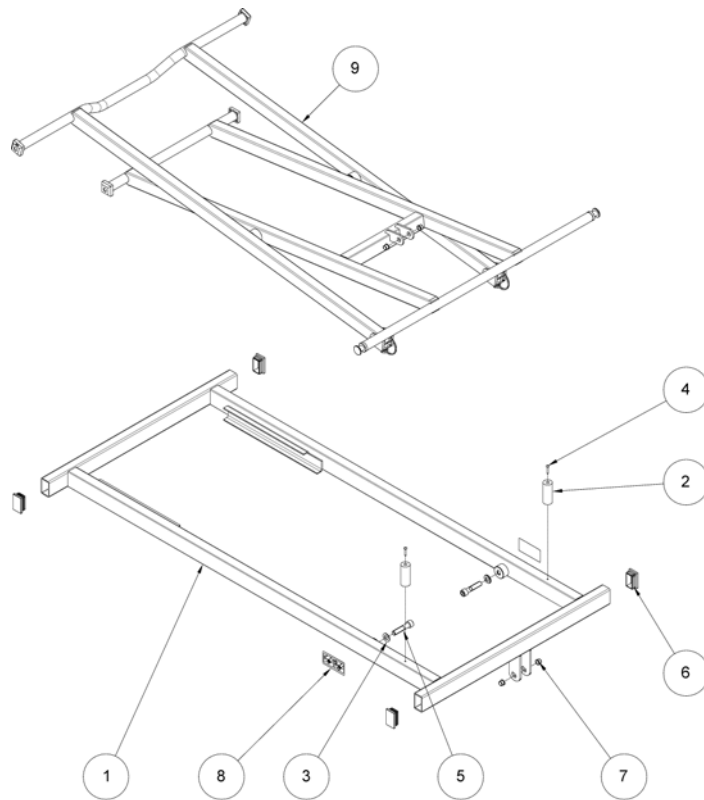
-	(Mattress supports, backrest)	1
-	(Mattress supports, leg section)	1

(Mattress supports, leg section)

1	SP021936-1015	(Top Frame, thigh section)	1
2	SP217996-7035	(Handle for leg section RAL7035)	1
3	SP221183-1015	(Lifter for thigh/leg section)	1
4	SP319710-7035	(Lock fittings)	1
5	SP321520-0002	(Insertion mattress, dim 45x15x1,5x315)	1
6	SP321567	(Connector plate)	1
7	SP1435195	(Replacement kit (screw and nut))	1
8	SP412796	(Bearing bush, $\varnothing 10,2/\varnothing 16,6/\varnothing 24$)	1
9	SP803847	SKIVE M10	1
10	SP809981	(Screw, M10x16)	1
11	SP812875	(Screw M8x12)	1
12	SP816499	(Disc, $\varnothing 28,5/\varnothing 13,2 \times 1,5$)	1
13	SP819407	(Screw $\varnothing 5,5 \times 19$, ISO15480)	1
14	SP1421392-1015	(Leg section, 4-sectioned)	1
15	1505835	(Not for separate sale - please contact Invacare)	0

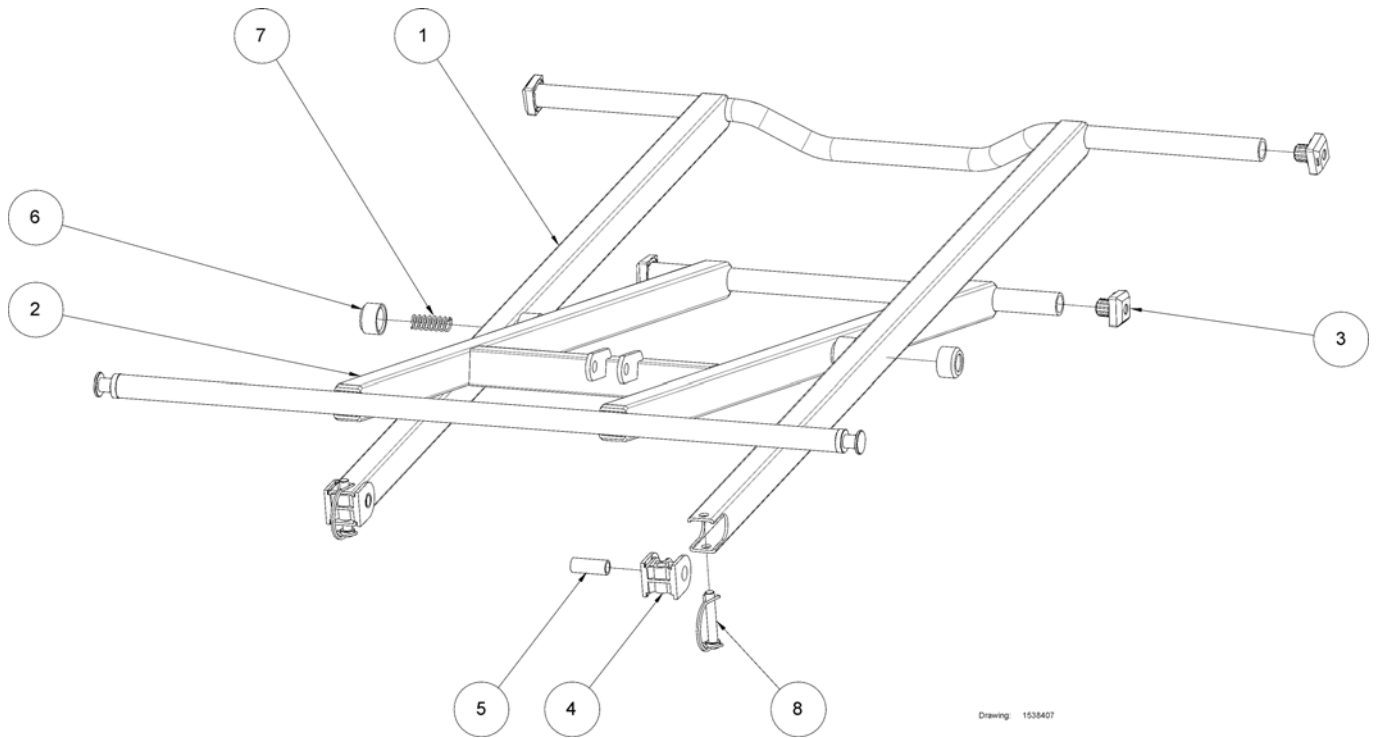
(4-section mattress support with backrest reclining)

-	(Backrest with back reclining)	0
-	(Mattress supports, leg section)	0

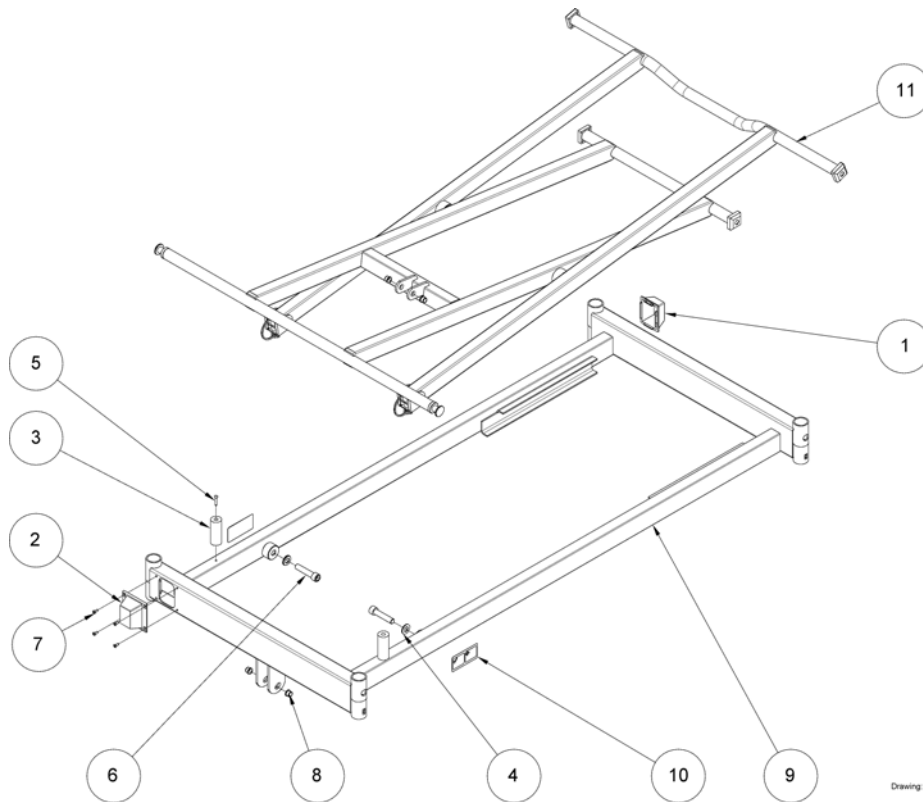


9	-	(Shear)	1
1	SP221167-1015	(Base for castors)	1
2	SP422137	(Stop, $\varnothing 25 \times 63$)	1
3	SP803273	(Washer ISO7090 M12)	1
4	SP806604	(Screw, torx 4.2x25, DIN7981C)	1
5	SP813222	(Screw, M12x55)	1
6	SP819404-7035	(Ferrule, dim 50x30x3)	1
7	SP819413-7035	(Bearing spacer, $\varnothing 10,3 / \varnothing 12,5 \times 10$)	1
8	SP1507384	(Sign - Pipe pin, dim 40x80)	1

(Shear)

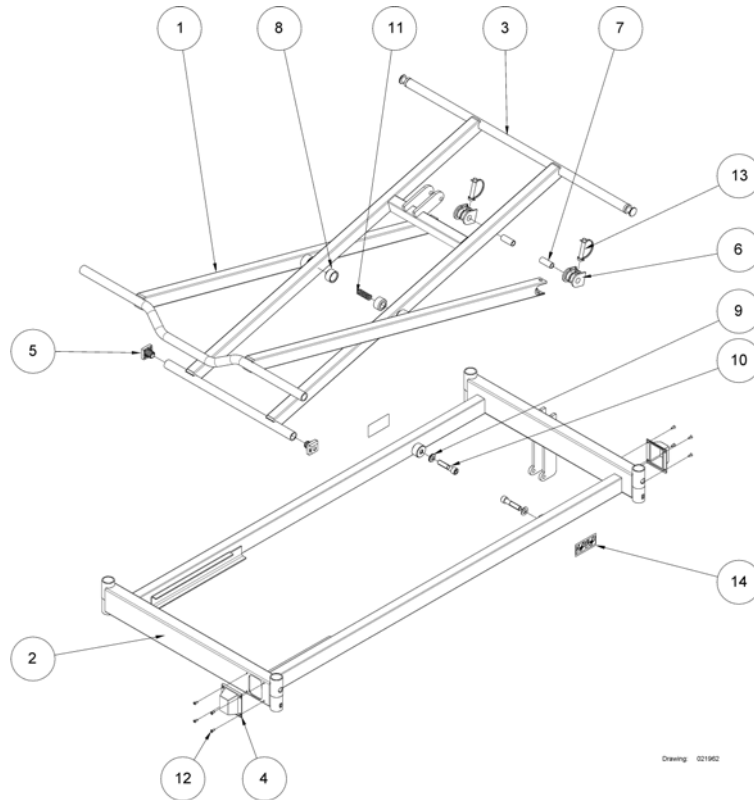


1	SP219566-1015	(Outer shear arm)	1
2	SP221171-1015	(Inner shear arm)	1
3	SP319155-7035	GLIDESKO33,4X33,4X32,5 # POLYACE.GRÅ, 2 ST	1
4	SP420179-7035	(Swivel bush, 40x40x47)	1
5	SP420627-0002	(Tube, $\varnothing 16 \times 2 \times 40$)	1
6	SP421837-7035	(Bearing bush, $\varnothing 33,5 / \varnothing 25,1 \times 20$)	1
7	SP816471	(Spring, $\varnothing 2 / \varnothing 16 \times 45$)	1
8	SP1507121	(Locking pin, $\varnothing 10 \times 50$, pair)	1



11	-	(Shear)	1
1	SP315626-7035	(Cover for central brake)	1
2	SP317374-7035	(Cover for central brake)	1
3	SP422137	(Stop, $\varnothing 25 \times 63$)	1
4	SP803273	(Washer ISO7090 M12)	1
5	SP806604	(Screw, torx 4.2x25, DIN7981C)	1
6	SP813222	(Screw, M12x55)	1
7	SP817252	(Screw, $\varnothing 4,2 \times 13$, ISO7051)	1
8	SP819413-7035	(Bearing spacer, $\varnothing 10,3 / \varnothing 12,5 \times 10$)	1
9	SP1417734-1015	(Base frame)	1
10	SP1507384	(Sign - Pipe pin, dim 40x80)	1

(Base with central brake for SWL 250kg)

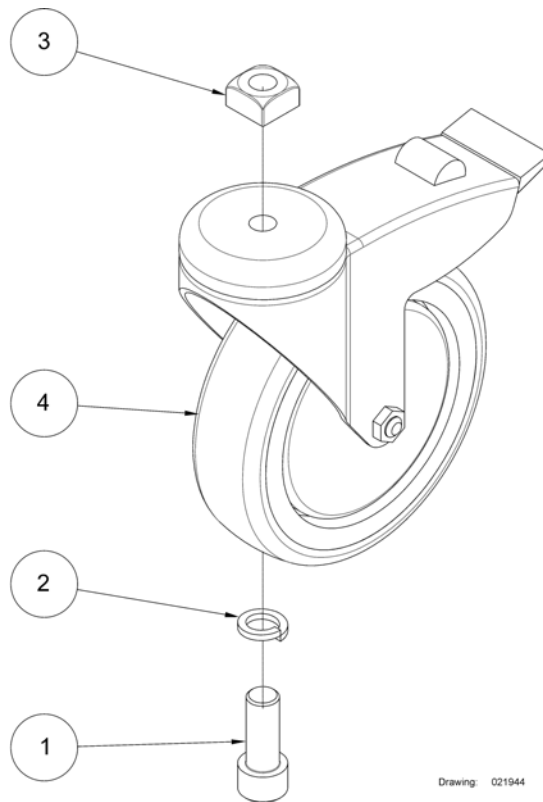


1	SP219566-1015	(Outer shear arm)	1
2	SP219594-1015	(Base for central brake for SWL 250kg)	1
3	SP221170-1015	(Inner shear arm)	1
4	SP317374-7035	(Cover for central brake)	1
5	SP319155-7035	GLIDESKO33,4X33,4X32,5 # POLYACE.GRÅ, 2 ST	1
6	SP420179-7035	(Swivel bush, 40x40x47)	1
7	SP420627-0002	(Tube, $\varnothing 16 \times 2 \times 40$)	1
8	SP421837-7035	(Bearing bush, $\varnothing 33,5 / \varnothing 25,1 \times 20$)	1
9	SP803273	(Washer ISO7090 M12)	1
10	SP813222	(Screw, M12x55)	1
11	SP816471	(Spring, $\varnothing 2 / \varnothing 16 \times 45$)	1
12	SP817252	(Screw, $\varnothing 4,2 \times 13$, ISO7051)	1
13	SP1507121	(Locking pin, $\varnothing 10 \times 50$, pair)	1
14	SP1507384	(Sign - Pipe pin, dim 40x80)	1

(Castor with brake)

-	(Braking castor ø75 mm)	1
-	(Castors)	1
-	(Braking castor ø125 mm)	1

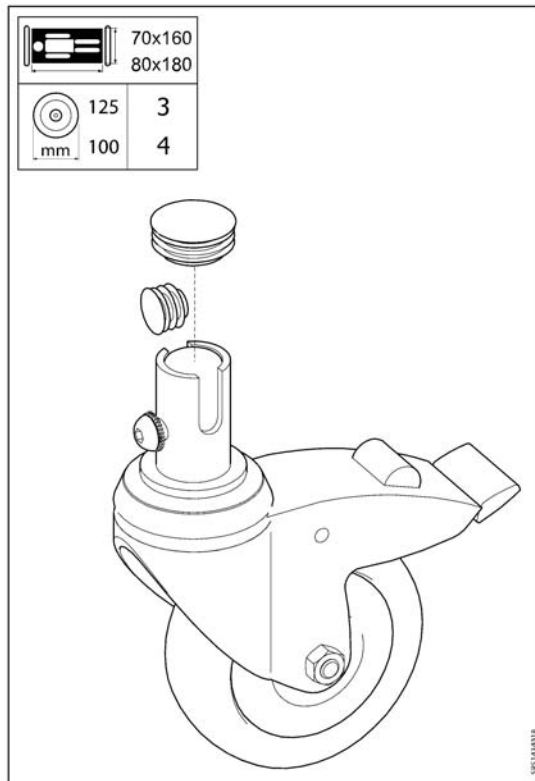
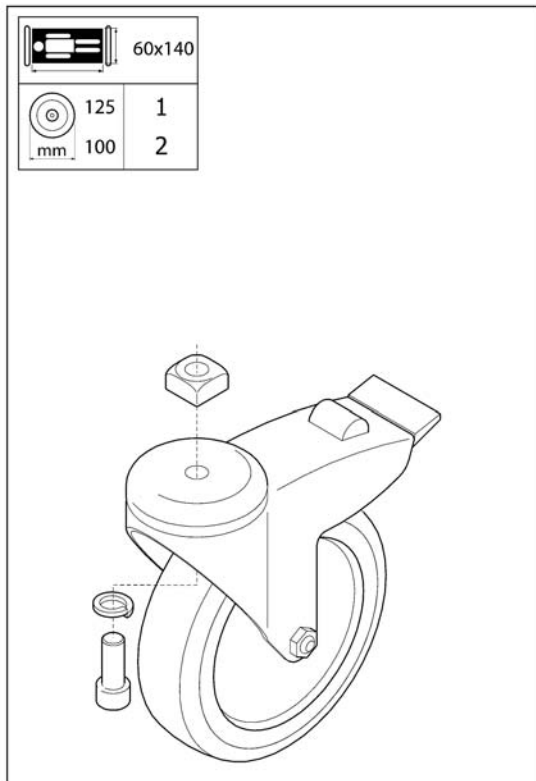
(Braking castor ø75 mm)



Drawing: 021944

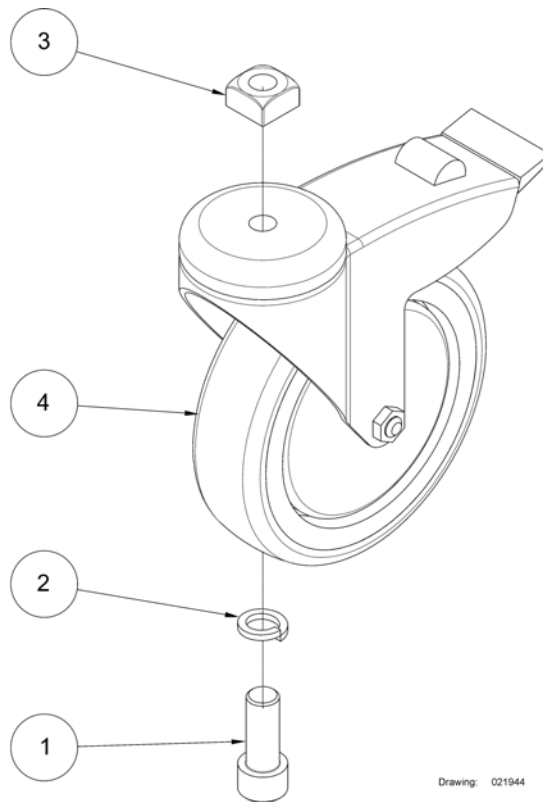
1	SP817264	(Screw M10x25)	1
2	SP803243	(Spring washer, M10, DIN7980)	1
3	SP806651	(Lock nut, M10, DIN985)	1
4	SP6790023	(Castor ø75 with brake, Tente)	1

(Castors)



1	SP021944	(CASTOR 125MM, WITH BRAKE)	01.05.2013 →	1
2	SP1434018	(CASTOR 100MM, WITH BRAKE)	→ 01.05.2013	1
3	SP015111	HJULKIT SB750	01.05.2013 →	1
4	SP1441285	(Castor 100mm w. brake)	→ 01.05.2013	1

(Braking castor Ø125 mm)



1	SP803066	(Screw M12x30, ISO4762)	1
2	SP803275	(Spring washer, M12, DIN7980)	1
3	SP819409	(Nut, M12)	1
4	SP6790033	(Caster Ø125mm)	1

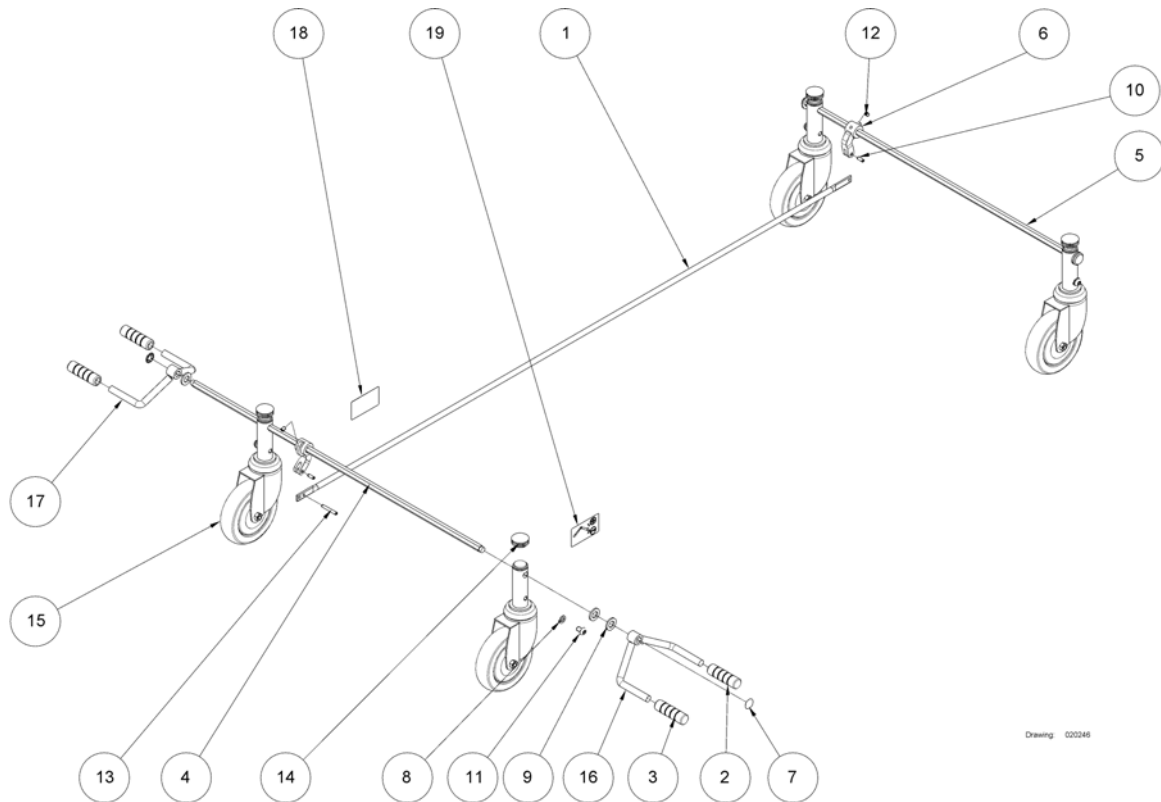
(Central brake systems)

-

(Central brake)

1

(Central brake)



1	SP319763-1015	(Central braking rod, dim $\varnothing 10 \times 1,5 \times 1410$)	1
2	SP414411	(Red cap for brake pedal)	1
3	SP414412	(Green cap for brake pedal)	1
4	SP414652-0002	(Axle for central brake 740 mm)	1
5	SP414653-0002	(Axle for central brake 700 mm)	1
6	SP414654	(Retainer for central brake)	1
7	SP803279	(Starlock button $\varnothing 10$)	1
8	SP803876	(Spring washer M8)	1
9	SP804239	(Nylon washer $\varnothing 13 \times \varnothing 24 \times 2,5$)	1
10	SP806644	(Spiral clamp pin, $\varnothing 5 \times 14$)	1
11	SP812875	(Screw M8x12)	1
12	SP817243	(Screw M6x8)	1
13	SP821213	(Spiral clamp pin, $\varnothing 5 \times 36$ DIN7343-A2)	1
14	SP1423911-7035	(End plug, SFL 32)	1
15	SP819460	(Castor $\varnothing 100$ mm for central brake)	1
15	SP1423937	(Castor $\varnothing 125$ mm with central brake)	1
16	SP1435279-1015	(Brake pedal, double, right)	1
17	SP1435280-1015	(Brake pedal, double, left)	1
18	SP1492781	(Label for brake, 40x70, left)	1
19	SP1492782	(Label for brake, 40x70, right)	1

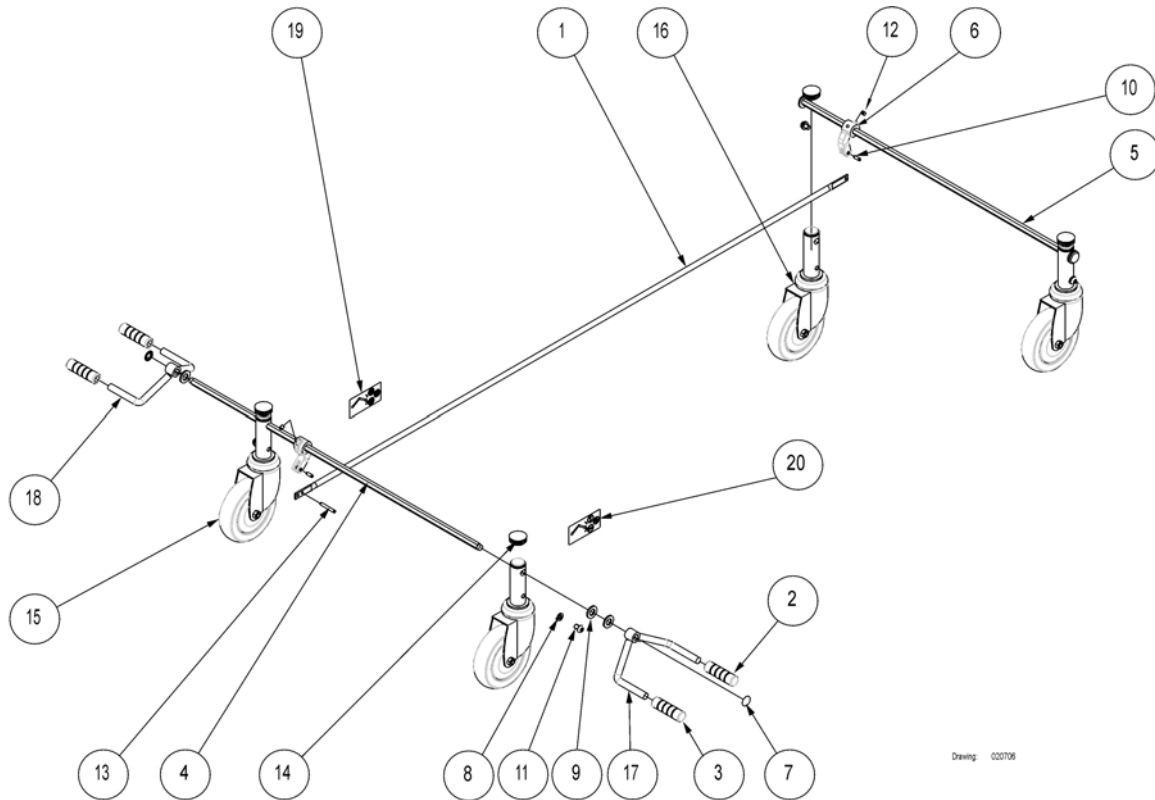
(Central brake with direction control)

-

(\varnothing 125 mm central brake with direction control)

1

(\varnothing 125 mm central brake with direction control)

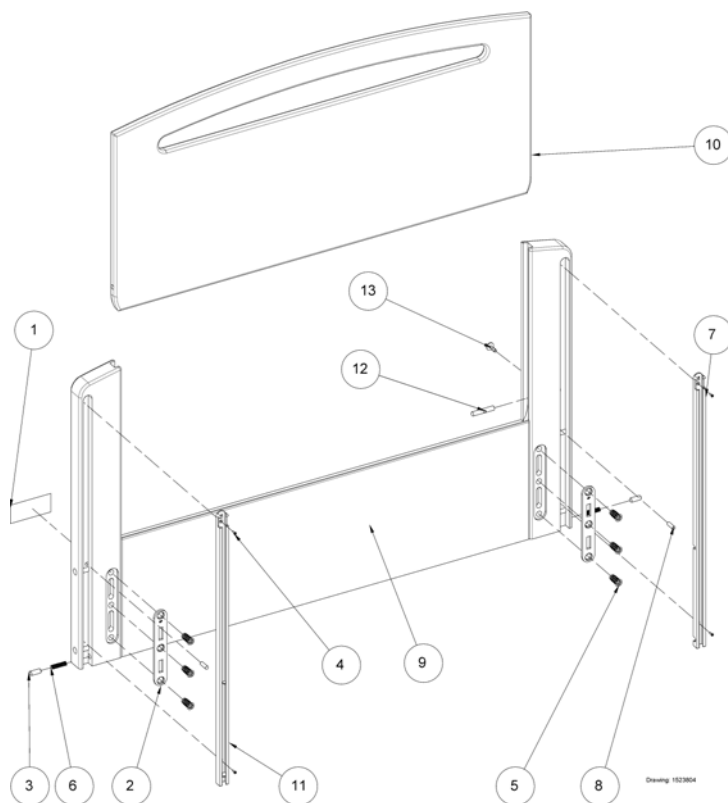


1	SP319763-1015	(Central braking rod, dim \varnothing 10x1,5x1410)	1
2	SP414411	(Red cap for brake pedal)	1
3	SP414412	(Green cap for brake pedal)	1
4	SP414652-0002	(Axle for central brake 740 mm)	1
5	SP414653-0002	(Axle for central brake 700 mm)	1
6	SP414654	(Retainer for central brake)	1
7	SP803279	(Starlock button \varnothing 10)	1
8	SP803876	(Spring washer M8)	1
9	SP804239	(Nylon washer \varnothing 13x \varnothing 24x2.5)	1
10	SP806644	(Spiral clamp pin, \varnothing 5x14)	1
11	SP812875	(Screw M8x12)	1
12	SP817243	(Screw M6x8)	1
13	SP821213	(Spiral clamp pin, \varnothing 5x36 DIN7343-A2)	1
14	SP1423911-7035	(End plug, SFL 32)	1
15	SP1423937	(Castor \varnothing 125 mm with central brake)	1
16	SP1423938	(Castor \varnothing 125 with central brake, Tente dir.control)	1
17	SP1435279-1015	(Brake pedal, double, right)	1
18	SP1435280-1015	(Brake pedal, double, left)	1
19	SP1484312	(Label for brake and direction control, 40x80, left)	1
20	SP1484313	(Label for brake and direction control, 40x80, right)	1

(Bed end plates)

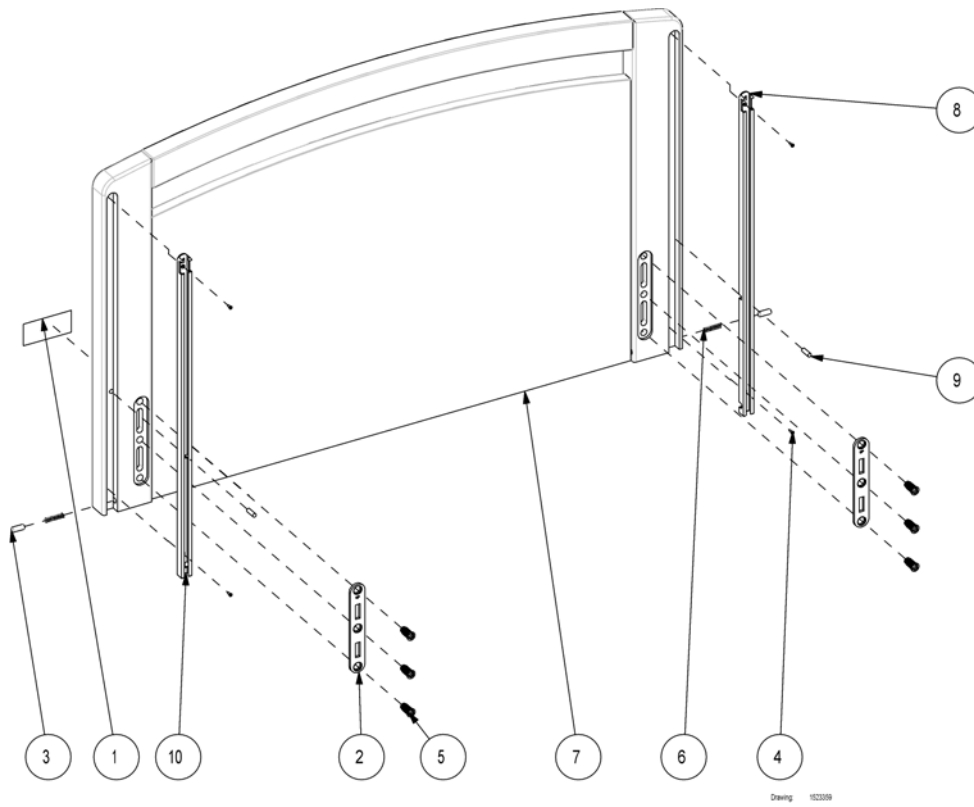
-	(Victoria bed end)	1
-	(Sophie bed end)	1
-	(Susanne bed end)	1
-	(Anita bed end)	1
-	(Emma bed end)	1
-	(Sanne III bed end with rails)	0
-	(Piggy bed end)	1
-	(Oda bed end)	1
-	(Karin bed end)	1
-	(Flex III bed end)	1

(Victoria bed end)



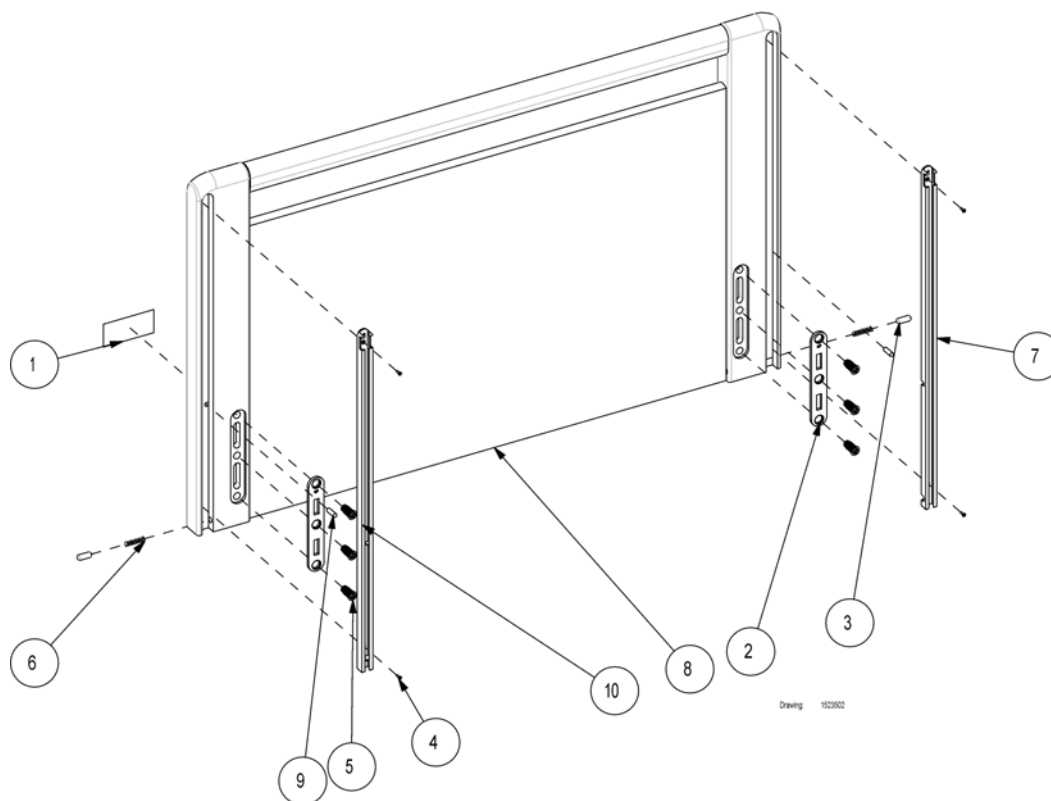
1	417547	(Label with Invacare logo)	1
2	418441	BESLAG I ENDEGAVEL SANNE 750 U/SKRUER	2
3	420612.60	STOPPKULE BRITT GRIND FLEX GAVLER	2
4	812847	SKRUE Ø2,5X10	4
5	818338	SKRUE GAVLFESTER M8/24 SANNE	6
6	819444	FJÆR FOR SIDEGRINDSTOPP FLEX GAVLER	3
7	1523103	(Rail for side rail, left)	1
8	1523503-0002	(Pin, ø6x20 ISO2338)	2
9	1523790-0101	(Bed end, Victoria)	1
10	1523807-0101	(Plate for Victoria)	1
11	1523824	(Rail for side rail, right)	1
12	1529563-0002	(Locking pin, ø8x45)	1
13	1529564	(Release button, ø14 M5)	1

(Sophie bed end)



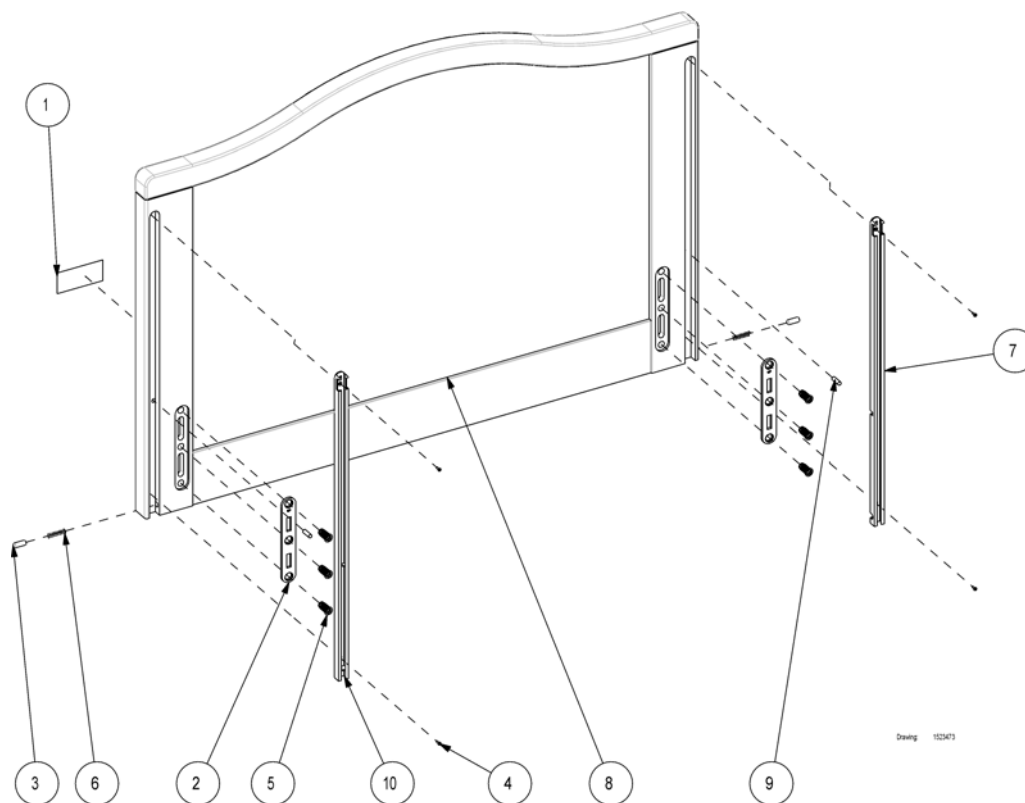
1	417547	(Label with Invacare logo)	1
2	418441	BESLAG I ENDEGAVEL SANNE 750 U/SKRUER	2
3	420612.60	STOPPKULE BRITT GRIND FLEX GAVLER	2
4	812847	SKRUE Ø2,5X10	4
5	818338	\$SKRUE GAVLFESTER M8/24 SANNE	6
6	819444	FJÆR FOR SIDEGRINDSTOPP FLEX GAVLER	2
7	1505835	(Not for separate sale - please contact Invacare)	0
8	1523103	(Rail for side rail, left)	1
9	1523503-0002	(Pin, ø6x20 ISO2338)	2
10	1523824	(Rail for side rail, right)	1

(Susanne bed end)



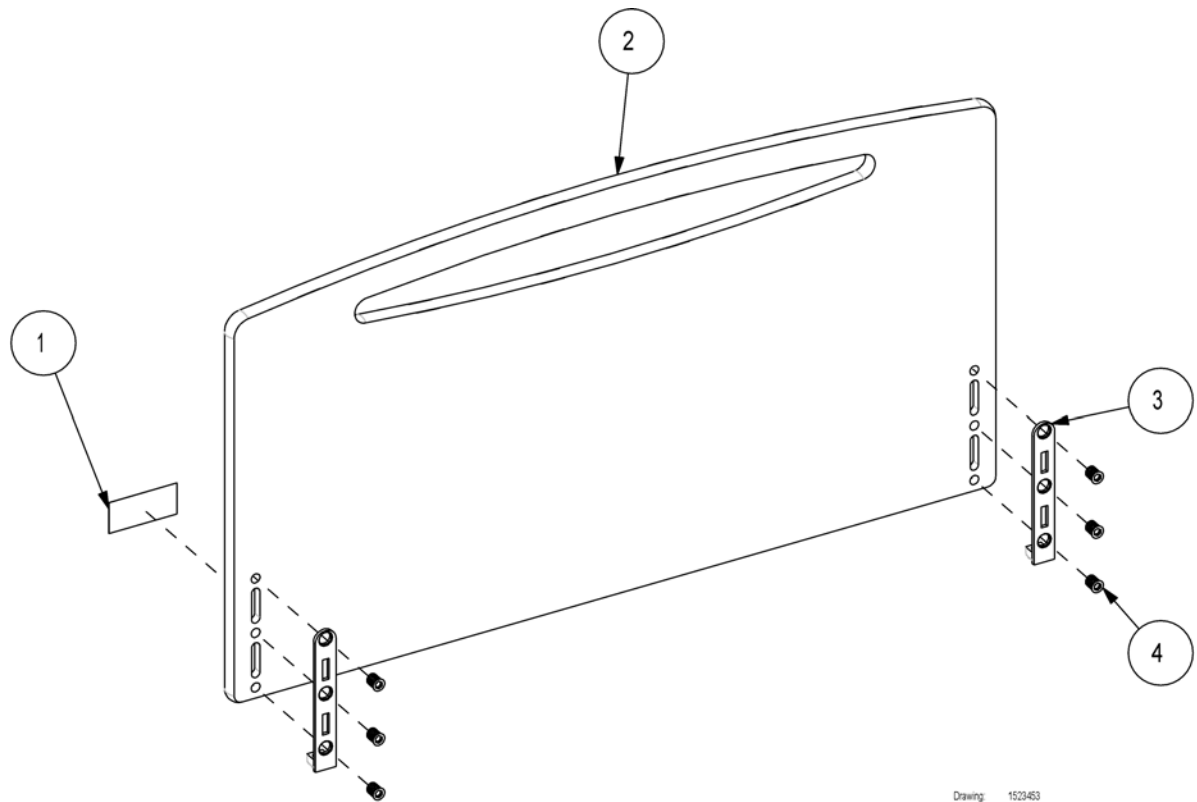
1	417547	(Label with Invacare logo)	1
2	418441	BESLAG I ENDEGAVEL SANNE 750 U/SKRUER	2
3	420612.60	STOPPKULE BRITT GRIND FLEX GAVLER	2
4	812847	SKRUE Ø2,5X10	4
5	818338	\$SKRUE GAVLFESTER M8/24 SANNE	6
6	819444	FJÆR FOR SIDEGRINDSTOPP FLEX GAVLER	2
7	1523103	(Rail for side rail, left)	1
7	1524332	GLIDESKINNE ALU VENSTRE 18X13X582	1
8	1505835	(Not for separate sale - please contact Invacare)	0
9	1523503-0002	(Pin, ø6x20 ISO2338)	2
10	1524333	GLIDESKINNE ALU HØYRE 18X13X582	1
10	1523824	(Rail for side rail, right)	1

(Anita bed end)



1	417547	(Label with Invacare logo)	1
2	418441	BESLAG I ENDEGAVEL SANNE 750 U/SKRUER	2
3	420612.60	STOPPKULE BRITT GRIND FLEX GAVLER	2
4	812847	SKRUE Ø2,5X10	4
5	818338	\$SKRUE GAVLFESTER M8/24 SANNE	6
6	819444	FJÆR FOR SIDEGRINDSTOPP FLEX GAVLER	2
7	1523103	(Rail for side rail, left)	1
8	1505835	(Not for separate sale - please contact Invacare)	0
9	1523503-0002	(Pin, ø6x20 ISO2338)	2
10	1523824	(Rail for side rail, right)	1

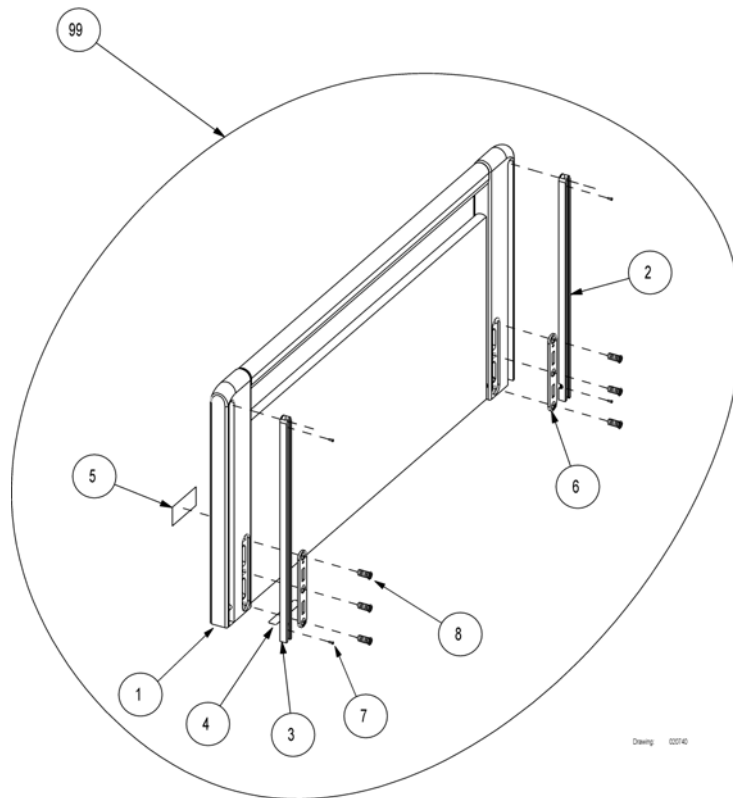
(Emma bed end)



Drawing: 1523453

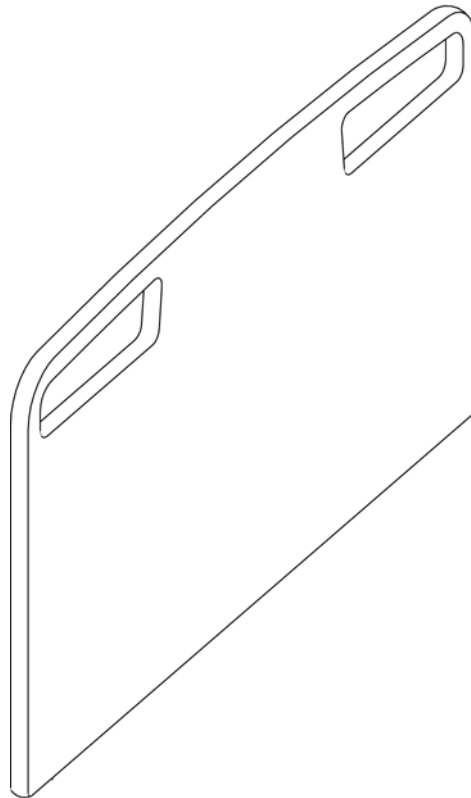
1	417547	(Label with Invacare logo)	1
2	1505835	(Not for separate sale - please contact Invacare)	1
3	1523676-0002	(Fitting with nut)	2
4	1523784	(Screw M8x17 special)	6

(Sanne III bed end with rails)



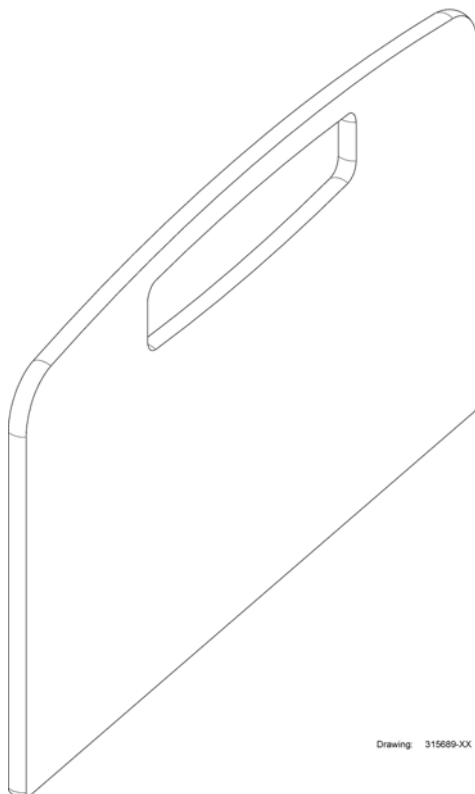
1	1505835	(Not for separate sale - please contact Invacare)	0
2	320504/L	GLIDESKINNE ALU VENSTRE FLEX SANNE ENDEGAVLER	1
3	320504/R	GLIDESKINNE ALU HØYRE FLEX SANNE ENDEGAVLER	1
4	1505835	(Not for separate sale - please contact Invacare)	0
5	417547	(Label with Invacare logo)	1
6	418441	BESLAG I ENDEGAVEL SANNE 750 U/SKRUER	1
7	812847	SKRUE Ø2,5X10	1
8	818338	\$SKRUE GAVLFESTER M8/24 SANNE	1
99	020740.01	ENDEGAVLER SANNE III PAR 90CM SB750.85CM SB710	1
99	021956.07	(Sanne bed end plate, mix (cherry/beechn))	0

(Piggy bed end)



1	1443944-0101	(Piggy bed end 90, beech)	2
1	1443944-0102	(Part not for sale)	2
1	1443944-0105	(Part not for sale)	2
1	1443944-0109	(Part not for sale)	2

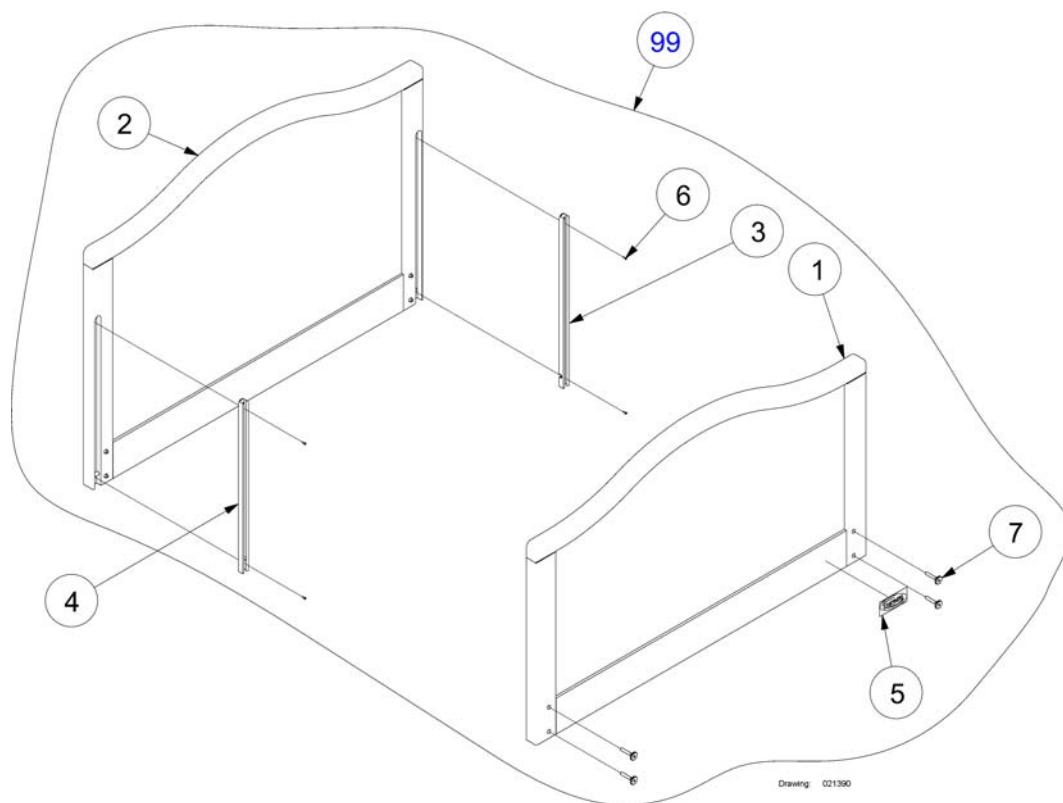
(Oda bed end)



Drawing: 315689-XX

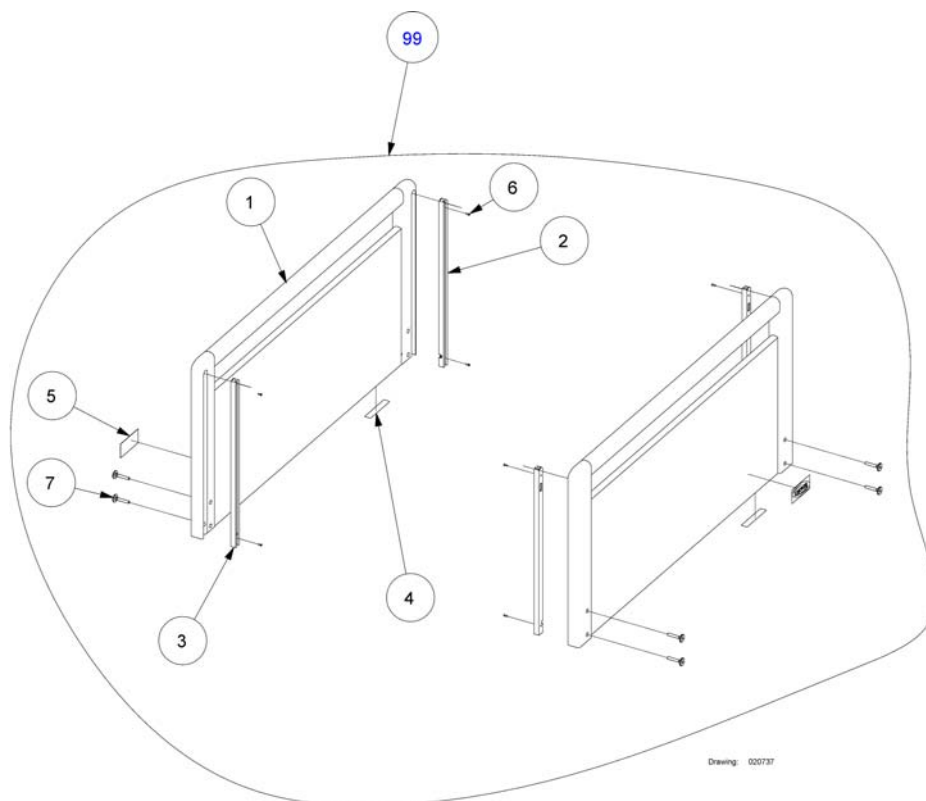
1	315689.01	(Oda bed end plate)	2
1	315689.05	(Oda bed end plate)	2

(Karin bed end)



1	1505835	(Not for separate sale - please contact Invacare)	1
2	1505835	(Not for separate sale - please contact Invacare)	1
3	320504/L	GLIDESKINNE ALU VENSTRE FLEX SANNE ENDEGAVLER	2
4	320504/R	GLIDESKINNE ALU HØYRE FLEX SANNE ENDEGAVLER	2
5	417547	(Label with Invacare logo)	2
6	812847	SKRUE Ø2,5X10	8
7	815720	MØBELSKRUE FLH M 6X40 SB750 SB400 FLEX	8
99	021390.02	(Karin bed ends 90 cm width (pair))	1
99	021390.01	ENDEGAVLER KARIN 90CM SB750 PAR	1

(Flex III bed end)

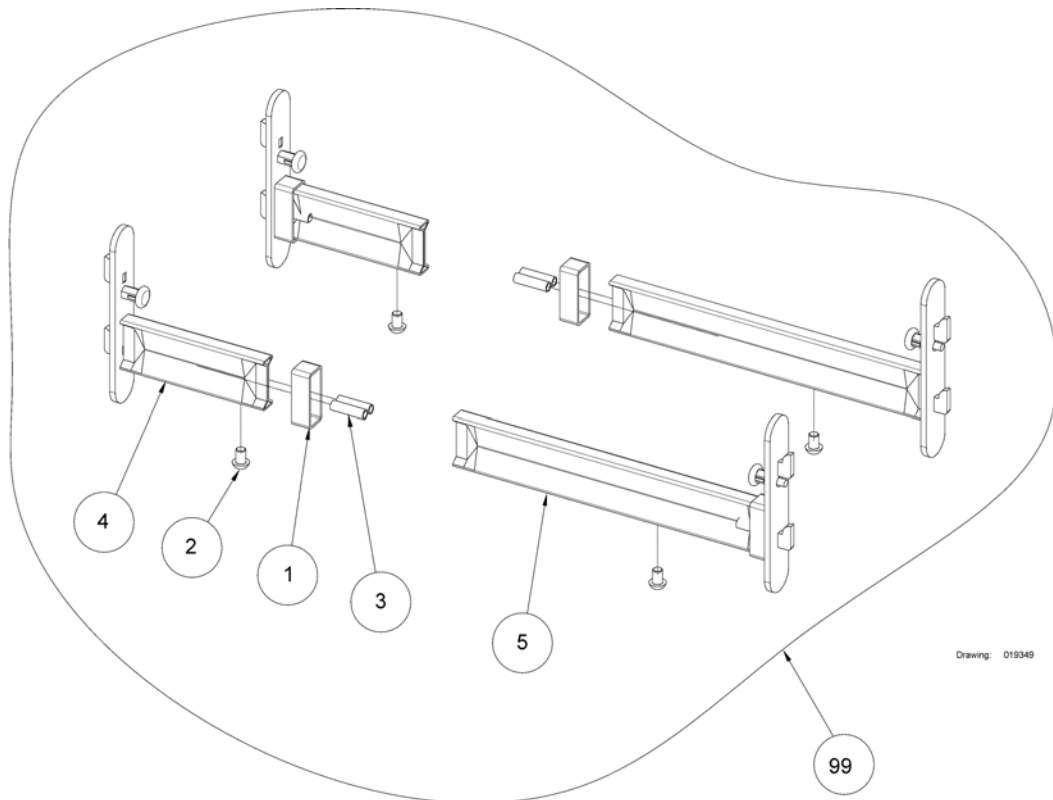


1	1507213-0101	(Bed end Flex III)	2
2	320504/L	GLIDESKINNE ALU VENSTRE FLEX SANNE ENDEGAVLER	2
3	320504/R	GLIDESKINNE ALU HØYRE FLEX SANNE ENDEGAVLER	2
4	416303	(Type badge 15.9x88.9 white (silver-poly))	2
5	417547	(Label with Invacare logo)	2
6	812847	SKRUE Ø2,5X10	8
7	815720	MØBELSKRUE FLH M 6X40 SB750 SB400 FLEX	8

(Fittings for bed end plates)

-	(Fittings with quick lock)	1
-	(Fittings with U-profile for Oda and Piggy)	1

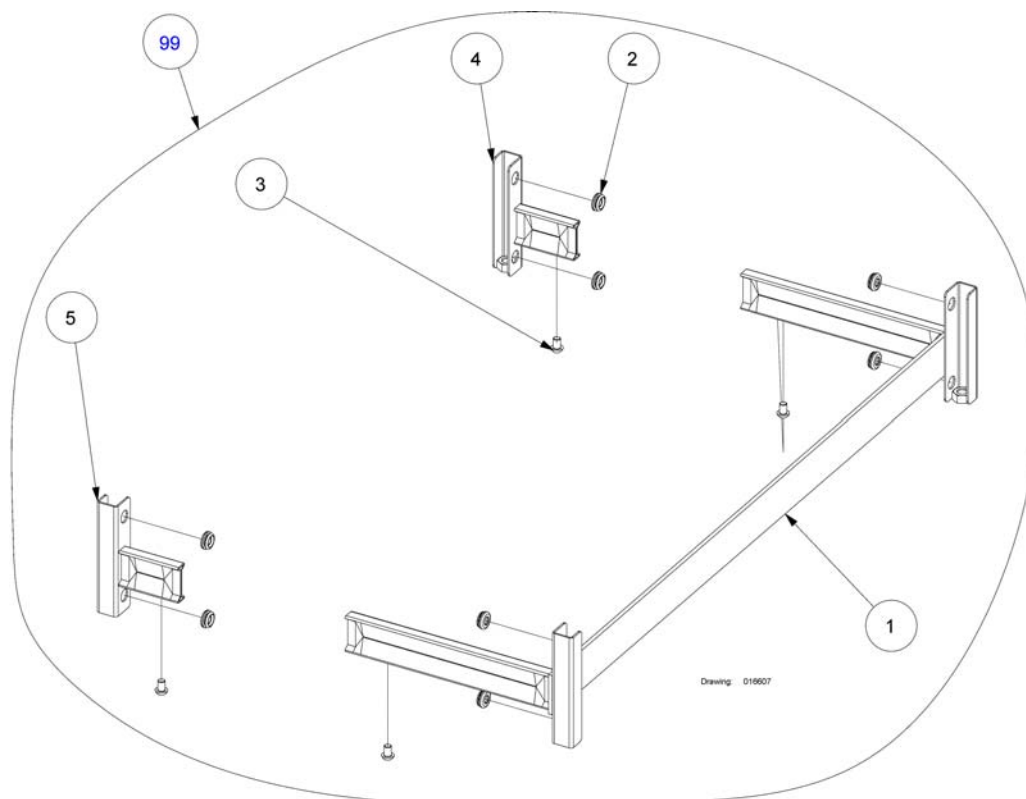
(Invacare® SB400) | (Bed end plates)
(Fittings with quick lock)



Drawing: 019349

1	420666-1015	(Tube for bed end bracket)	4
2	812875	SKRUE M8X12 FOR ENDEGAVL FESTE SENGER OG HJUL	1
3	1423850	()	1
4	1443878-0002	(Insertion tube, head end)	2
5	1443880-0002	(Insertion tube, leg end)	2
99	019349.D0	GAVLBESLAG SANNE 90 CM SB 400 BEST.VARE KPL	1

(Fittings with U-profile for Oda and Piggy)

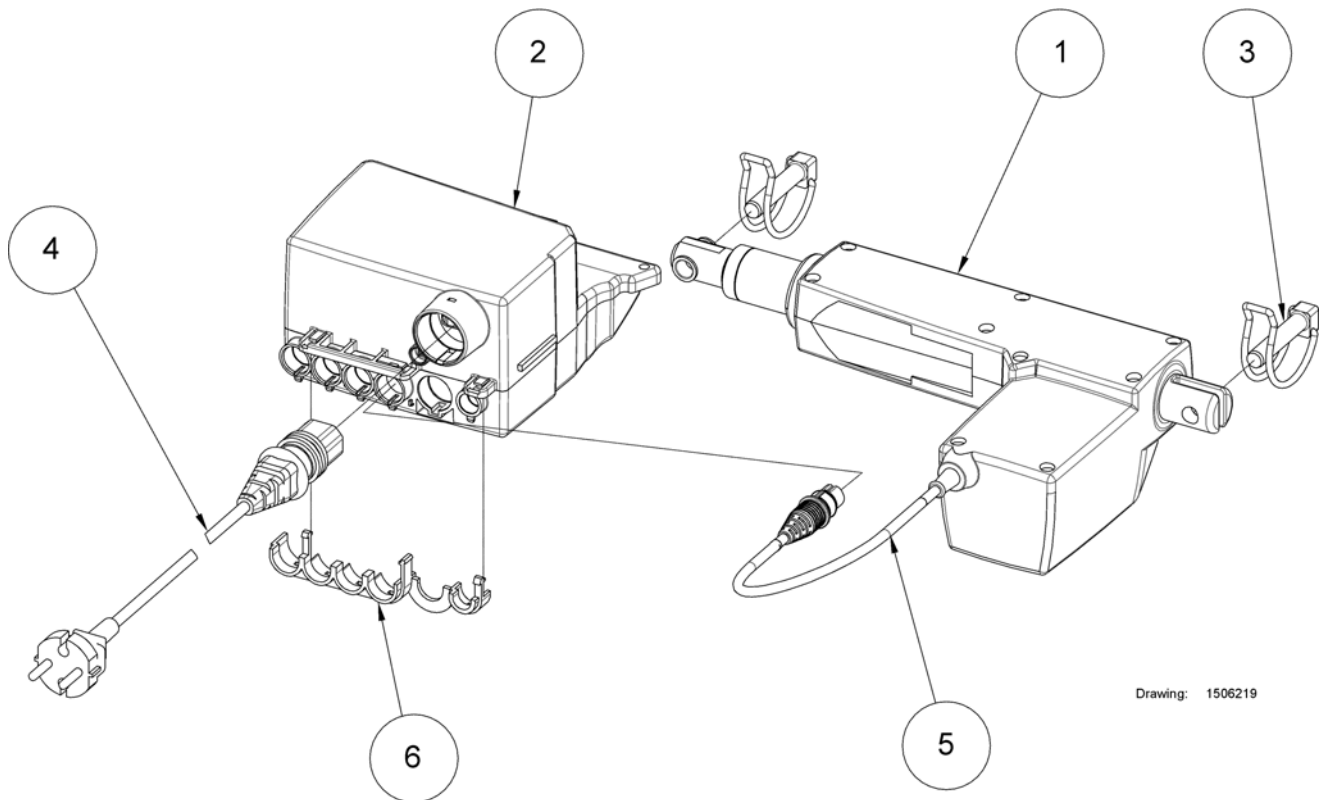


1	215961-1015	\$GAVLBESL FOTENDE 85 CM ODA GAVLER B.VARE	1
2	417008	GUMMIFORING DG 9 Ø15X2	8
3	812875	SKRUE M8X12 FOR ENDEGAVL FESTE SENGER OG HJUL	4
4	1492058-1015	GAVLBESLAG ODA VENSTRE HODENDE	1
5	1492059-1015	GAVLBESLAG ODA HØYRE HODENDE	1
99	016607.D0	GAVLBESLAG ODA SETT SB700 85 CM SB750 90CM	1

(Actuator and control unit for backrest)

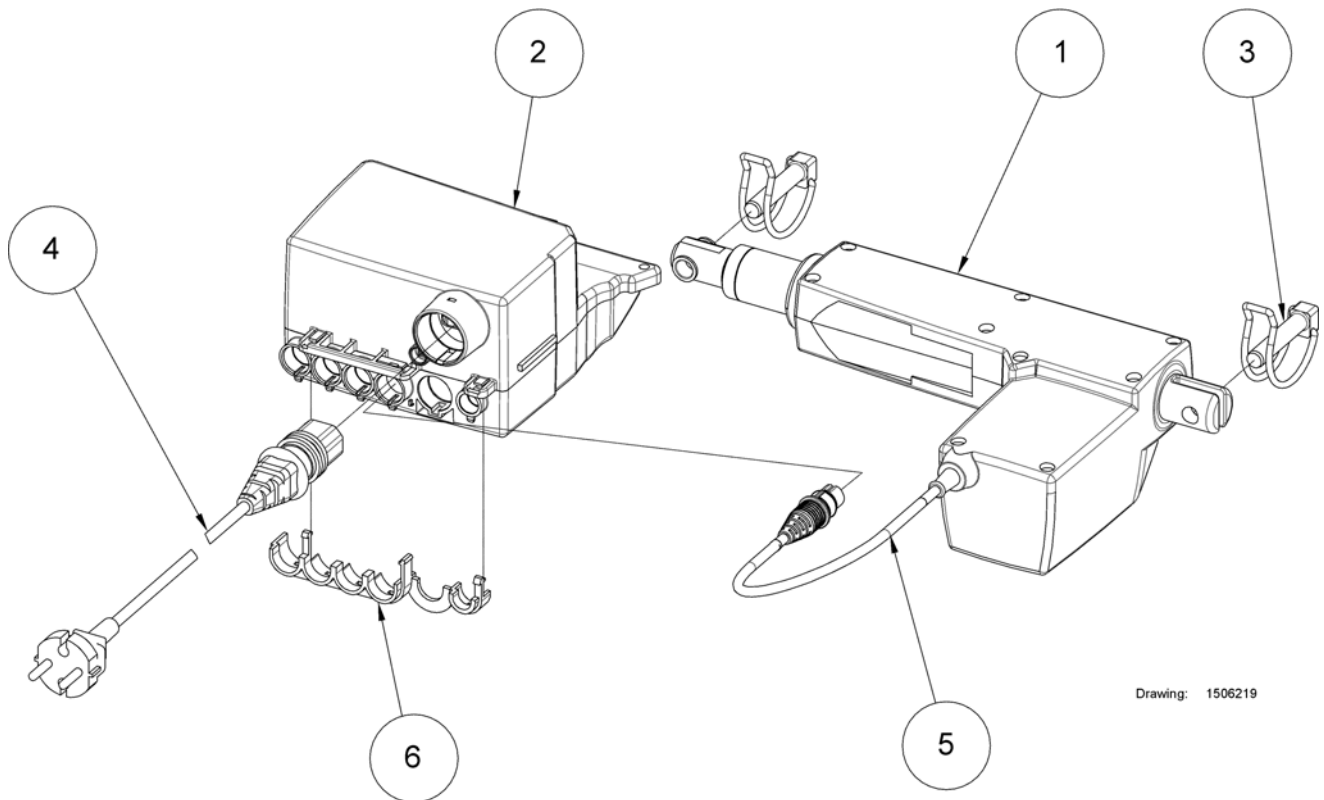
-	(Backrest actuator and control unit with EU plug)	0
-	(Backrest actuator and control unit with EU plug, V0-plastic)	0
-	(Backrest actuator and control unit with UK plug)	0
-	(Backrest actuator and control unit with AUS plug)	0
-	(Actuator and control unit prepare accum. backup)	0

(Backrest actuator and control unit with EU plug)



1	SP321561-7035	(Actuator, 24V LA31, 312100 + 2113002E)	1
2	SP321562-7035	(Control unit, CB09L0-3T-24)	1
3	SP819411	(Package, Retaining Pin)	1
4	SP821283-7035	(Main cable (3,2 m))	1
5	SP821240	(Wire mark 1)	1
6	SP818360-9005	(Lock kam)	1

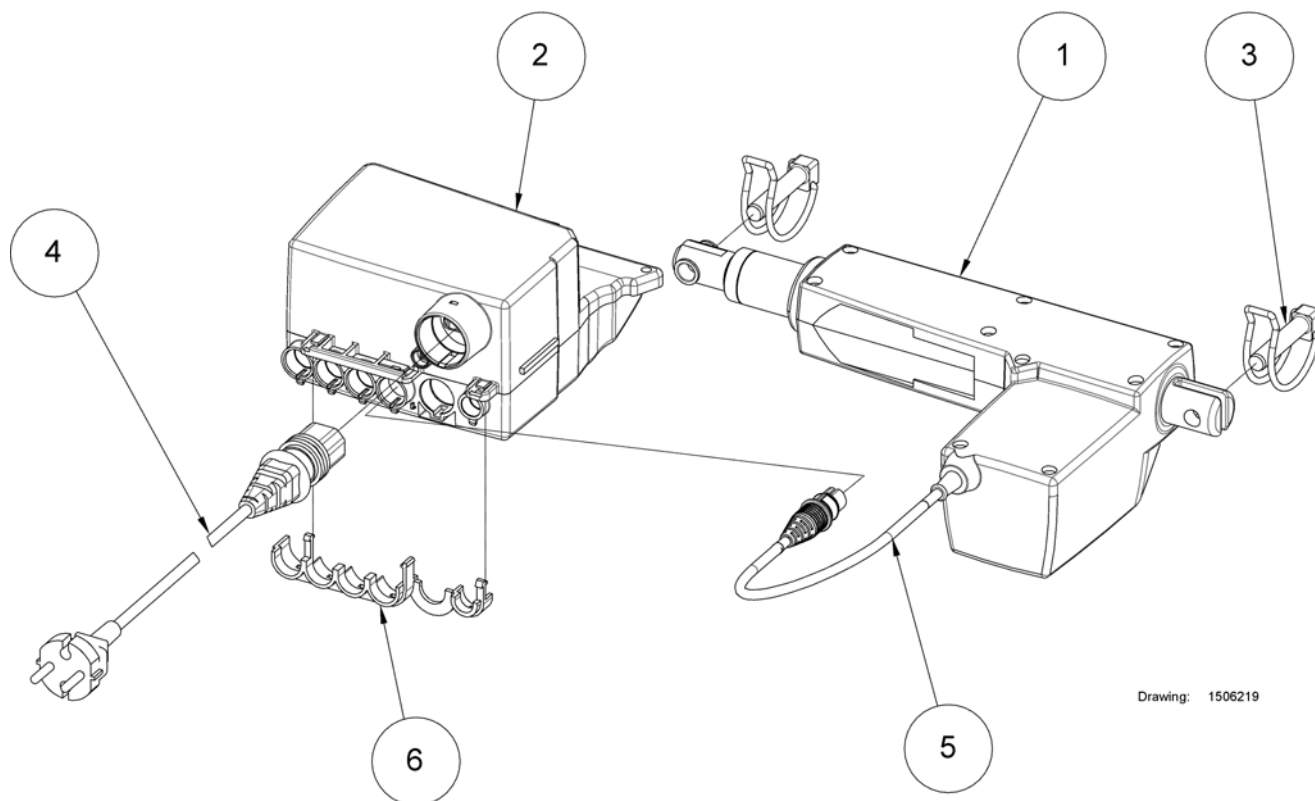
(Backrest actuator and control unit with EU plug, V0-plastic)



Drawing: 1506219

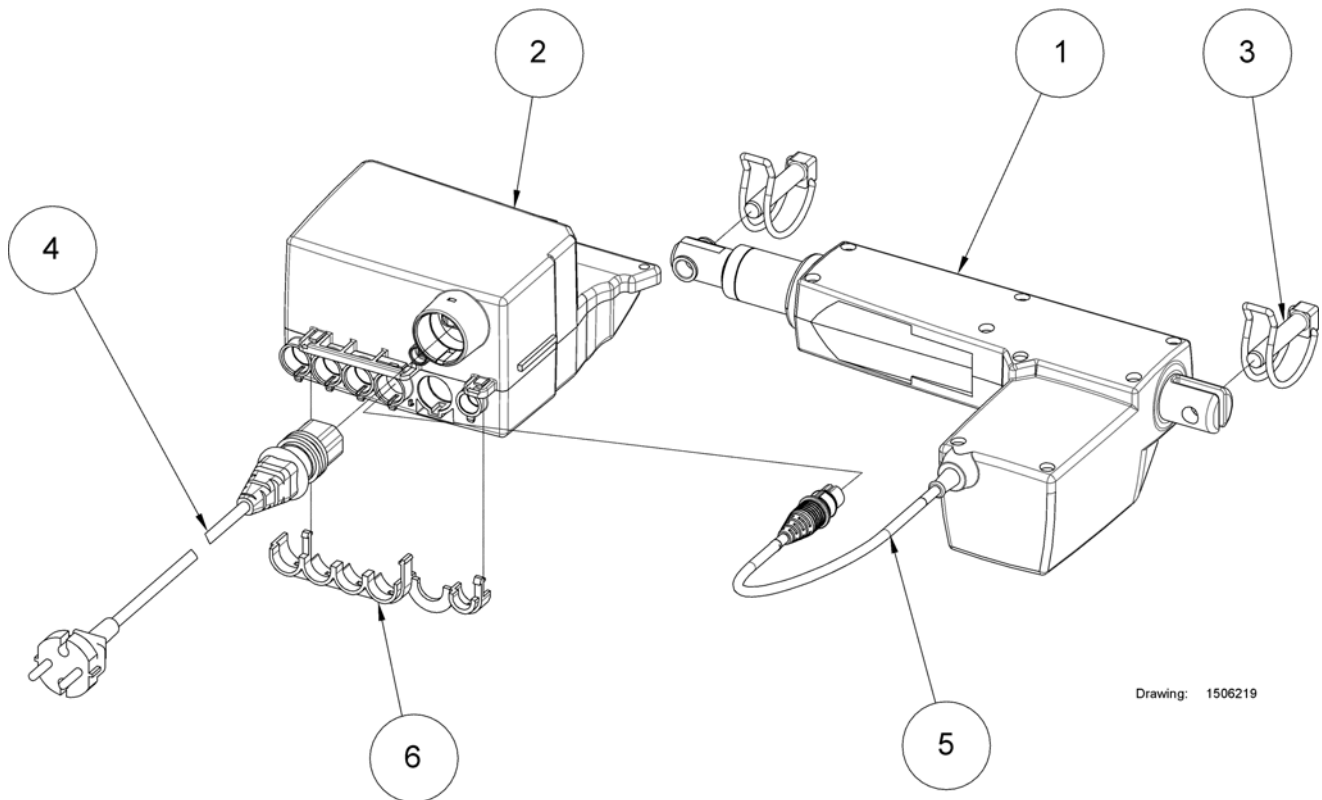
1	SP1446429-7035	(Control unit, CB09L0-3T-24T V0-plastic)	1
2	SP1450545-7035	(Actuator, 24V LA31, V0 plastic)	1
3	SP819411	(Package, Retaining Pin)	1
4	SP821283-7035	(Main cable (3,2 m))	1
5	SP821240	(Wire mark 1)	1
6	SP818360-9005	(Lock kam)	1

(Backrest actuator and control unit with UK plug)



1	SP321561-7035	(Actuator, 24V LA31, 312100 + 2113002E)	1
2	SP321562-7035	(Control unit, CB09L0-3T-24)	1
3	SP819411	(Package, Retaining Pin)	1
4	SP819430	(Power cable UK)	1
5	SP821240	(Wire mark 1)	1
6	SP818360-9005	(Lock kam)	1

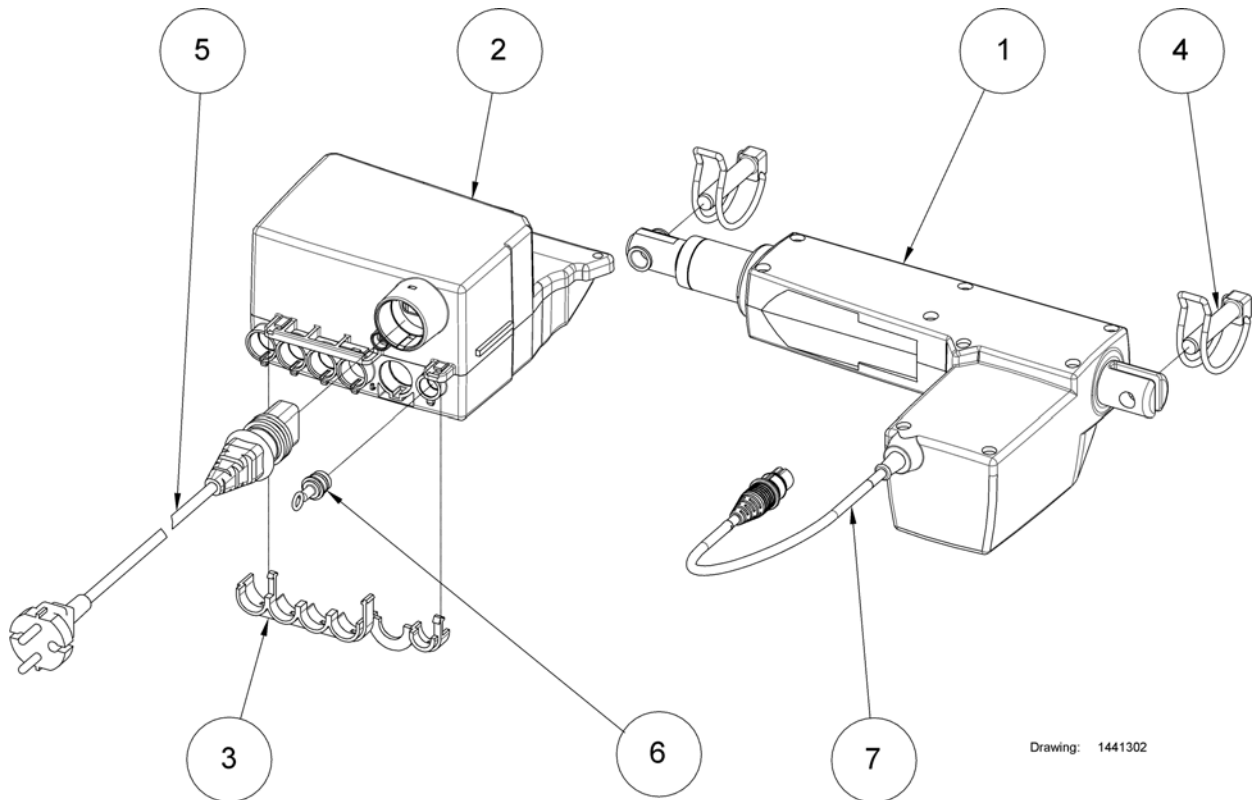
(Backrest actuator and control unit with AUS plug)



Drawing: 1506219

1	321561-7035	MOTOR HJERTEBRETT SB400 BEST.VARE	1
1	SP321561-7035	(Actuator, 24V LA31, 312100 + 2113002E)	1
2	SP321562-7035	(Control unit, CB09L0-3T-24)	1
3	SP819411	(Package, Retaining Pin)	1
4	SP1417620-9005	(Power cable with AUS plug)	1
5	SP821240	(Wire mark 1)	1
6	SP818360-9005	(Lock kam)	1

(Actuator and control unit prepare accum. backup)



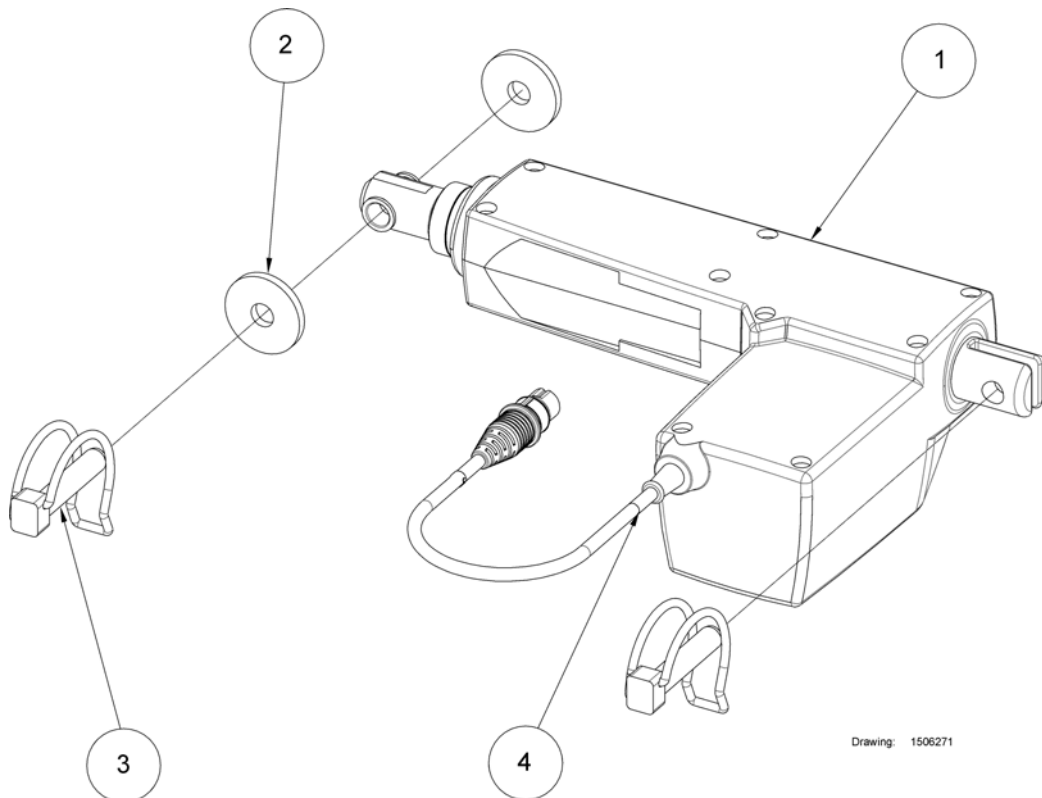
Drawing: 1441302

1	SP321561-7035	(Actuator, 24V LA31, 312100 + 2113002E)	1
2	SP1415606-9005	()	1
3	SP818360-9005	(Lock kam)	1
4	SP819411	(Package, Retaining Pin)	1
5	SP821283-7035	(Main cable (3,2 m))	1
7	SP821240	(Wire mark 1)	1

(Actuator for thigh and leg section)

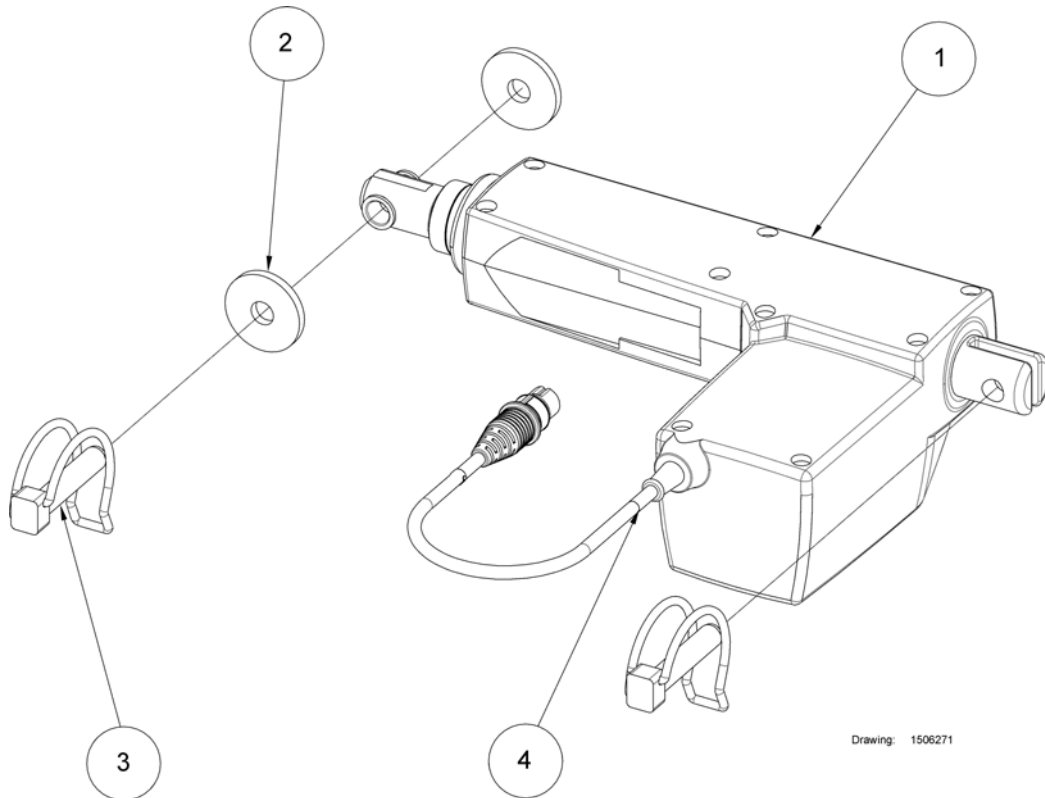
-	(Actuator for thigh and leg)	1
-	(Actuator for thigh and leg, V0-plastic)	1

(Actuator for thigh and leg)



1	SP321557-7035	(Actuator, 24V LA31, 312100+2007502X)	1
2	SP422131	(Disc, $\varnothing 35/\varnothing 10,5 \times 4$)	1
3	SP819411	(Package, Retaining Pin)	1
4	SP821242	(Wire mark 3)	1

(Actuator for thigh and leg, V0-plastic)

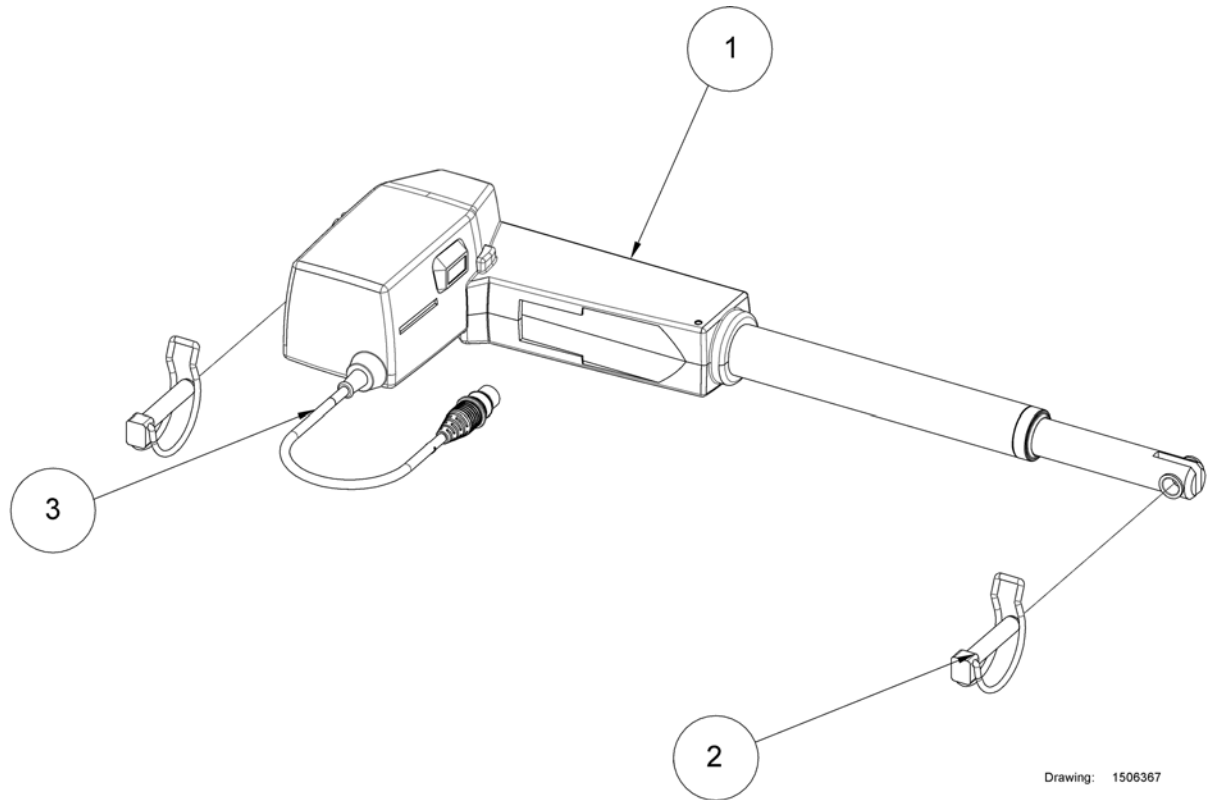


1	SP1450544-7035	(Actuator, 24V LA31 V0-plastic 3121S+2007502F)	1
2	SP422131	(Disc, $\varnothing 35/\varnothing 10,5 \times 4$)	1
3	SP819411	(Package, Retaining Pin)	1
4	SP821242	(Wire mark 3)	1

(Actuator for height adjustment)

-	(Actuator for height adjustment)	0
-	(Actuator for height adjustment, V0-plastic)	0
-	(Actuator for height adjustment, SWL 250 kg)	0

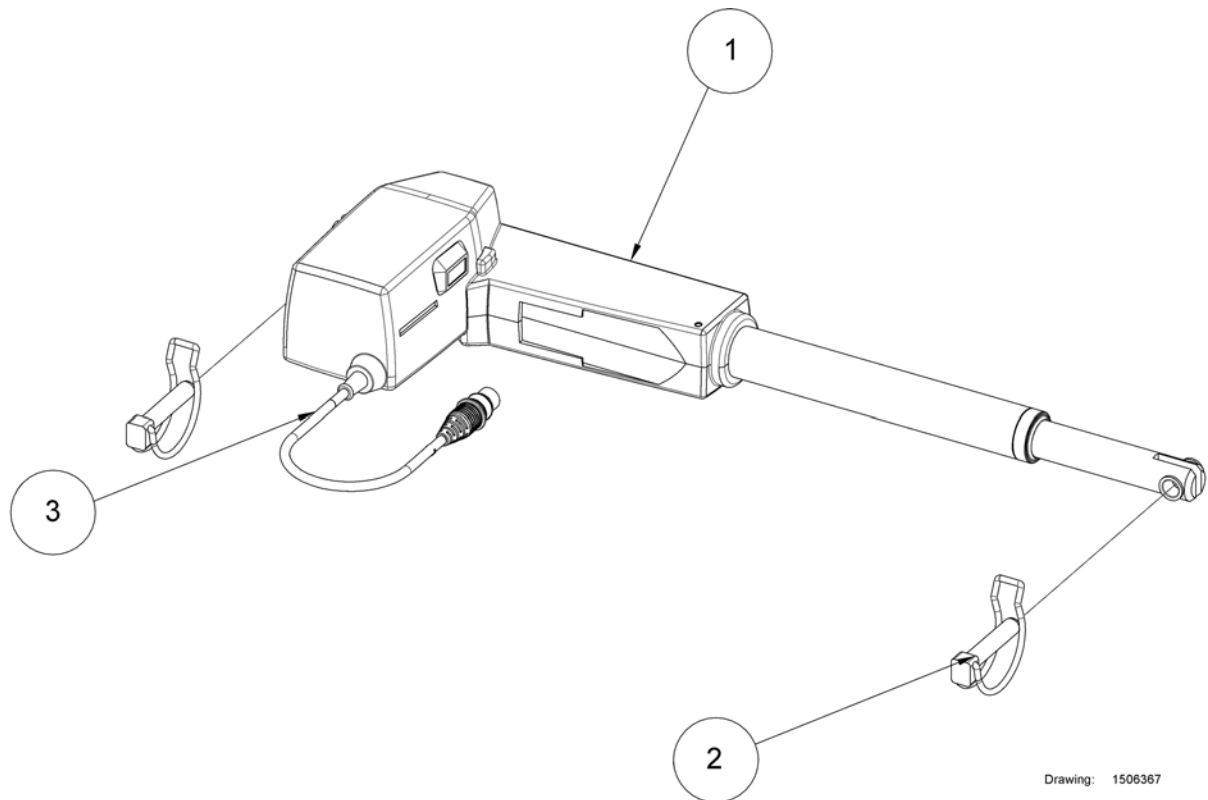
(Actuator for height adjustment)



Drawing: 1506367

1	SP321514-7035	(Actuator, 24V LA31)	1
2	SP819411	(Package, Retaining Pin)	1
3	SP821241	(Wire mark 2)	1

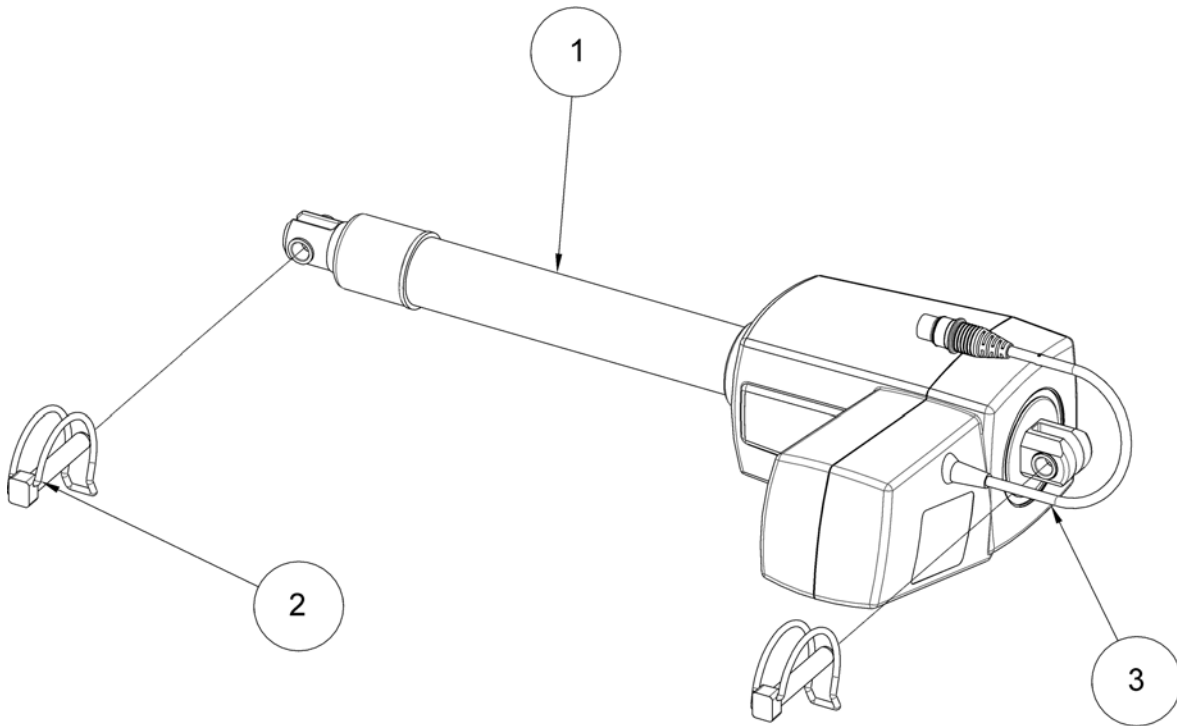
(Actuator for height adjustment, V0-plastic)



Drawing: 1506367

1	SP1446428-7035	(Actuator, 24V LA31 V0-plastic 3141S+115002G)	1
2	SP819411	(Package, Retaining Pin)	1
3	SP821241	(Wire mark 2)	1

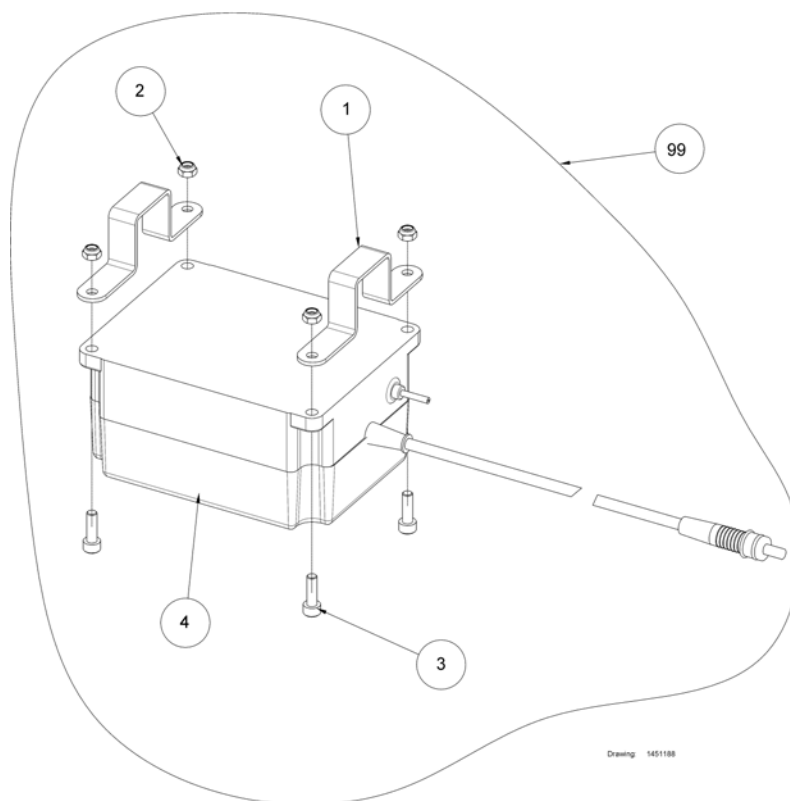
(Actuator for height adjustment, SWL 250 kg)



Drawing: 020715

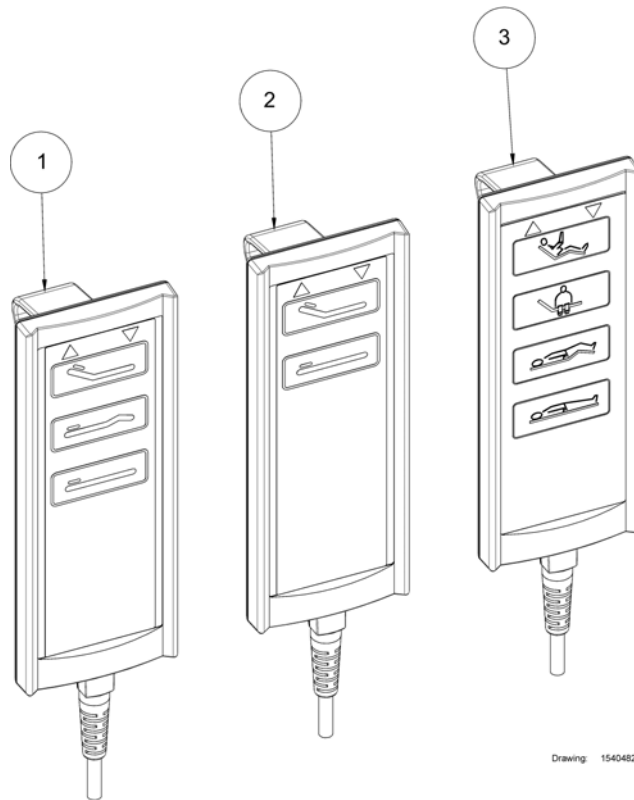
1	SP320591-7035	(Actuator, 24V LA343100-00250002C)	1
2	SP819439	(Tube split pin \varnothing 10x60)	1
3	SP821241	(Wire mark 2)	1

(Battery backup with brackets)



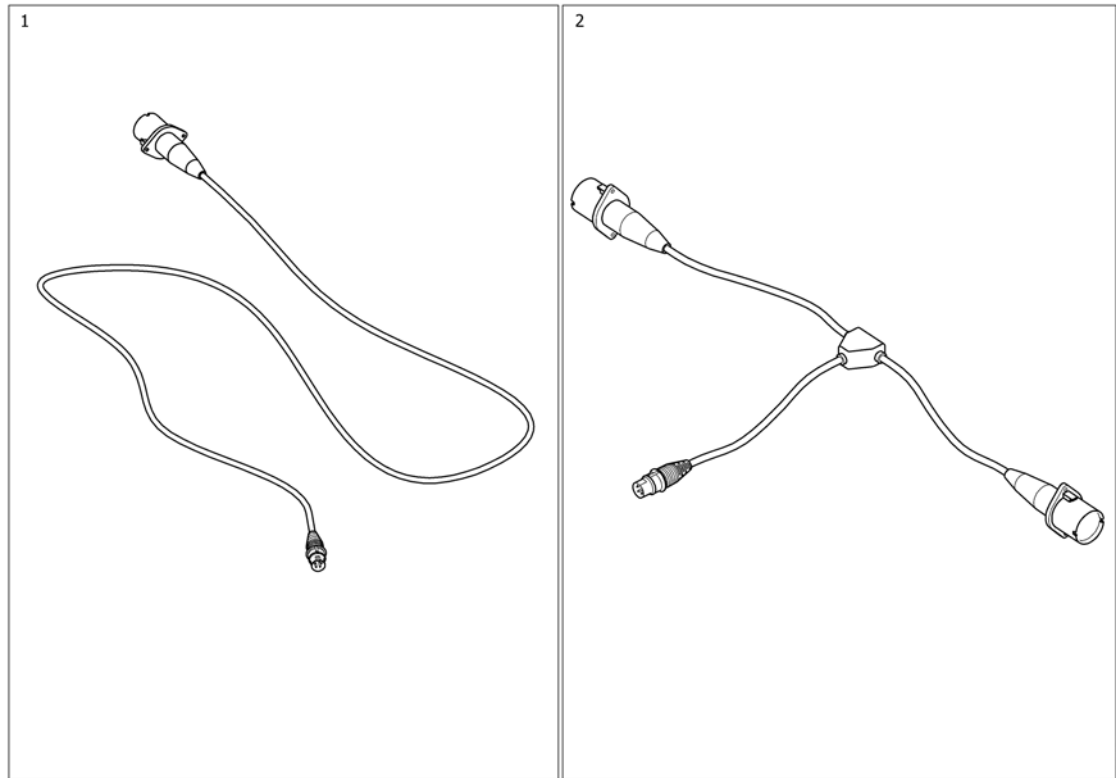
1	SP420693-1015	(Part not for sale)	1
2	SP804458	(Part not for sale)	1
3	SP816480	(Part not for sale)	1
4	SP1423905-7035	(Accumulator backup unit for CB09)	1
99	1451188-1015	()	1

(Hand control)



-	(Extension cable, handcontrol)	1
1	SP319157-9005 (Hand control, HB73)	1
2	SP319179-9005 (Hand control, HB72)	1
3	SP1492972-7035 (Hand control, HB74)	1

(Extension cable, handcontrol)

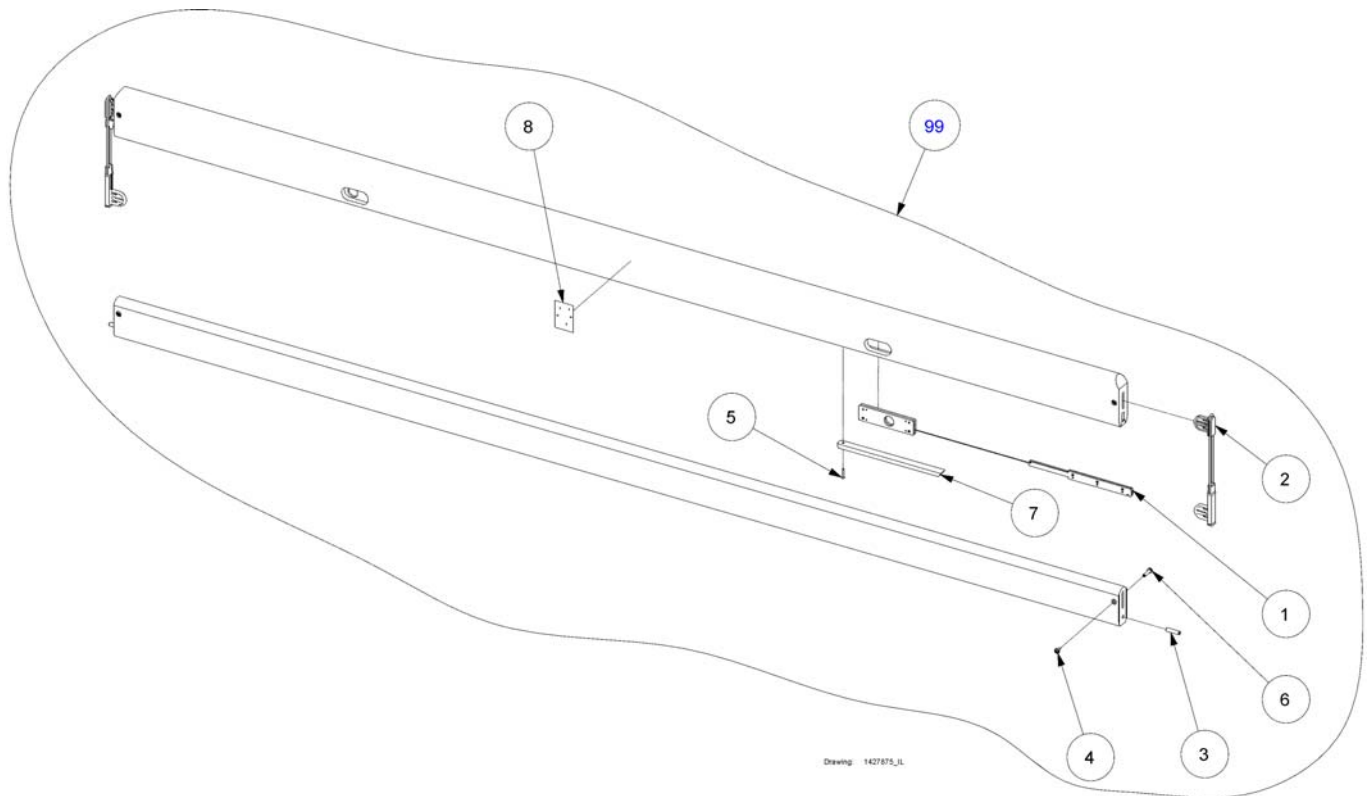


1	1532489-7035	SKJØTELEDNING SB750 BETJ.BOKS 243 CM	1
2	819465	T KABEL TIL 2 BETJ BOKS BEST,VARE	1

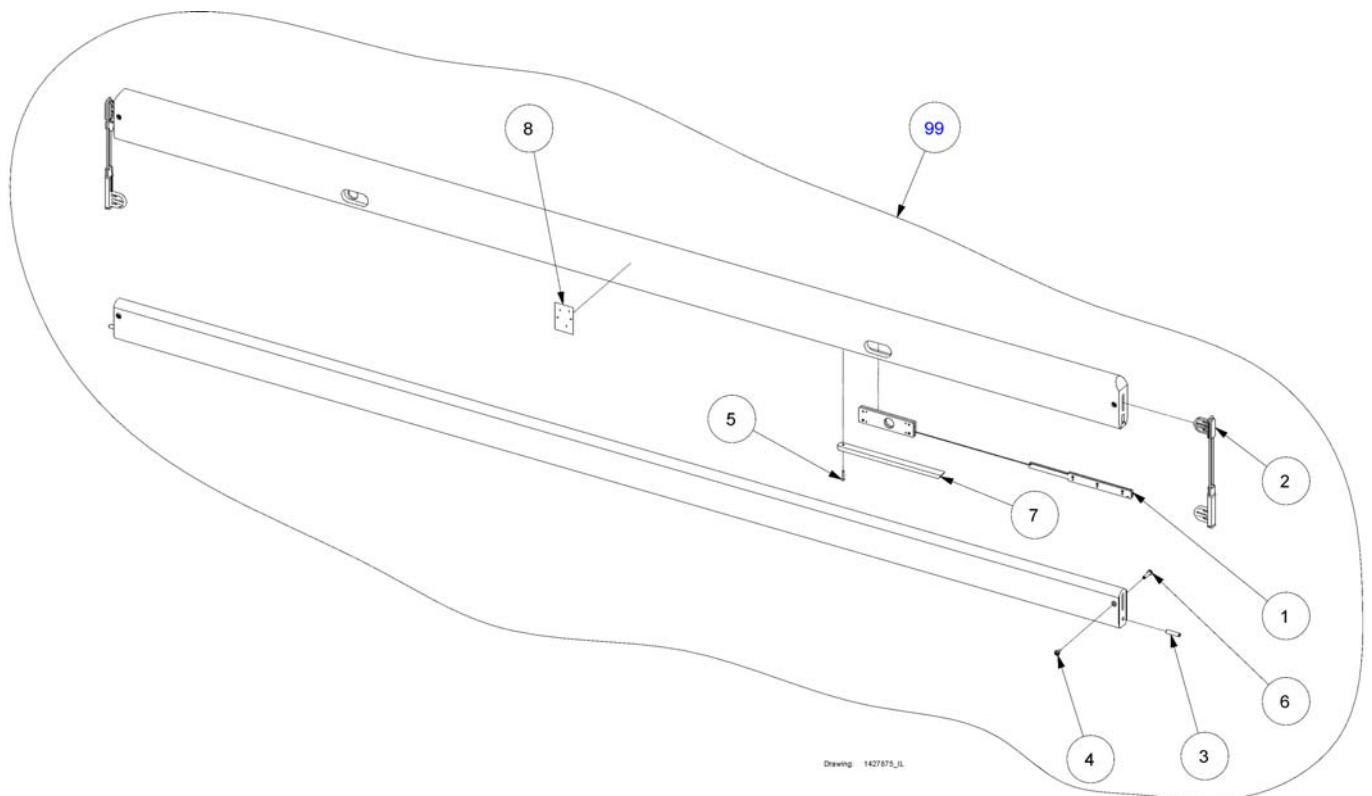
(Britt side rails)

-	(Britt II side rail, extended)	0
-	(Britt III side rail)	0
-	(Britt V side rail)	0

(Britt II side rail, extended)

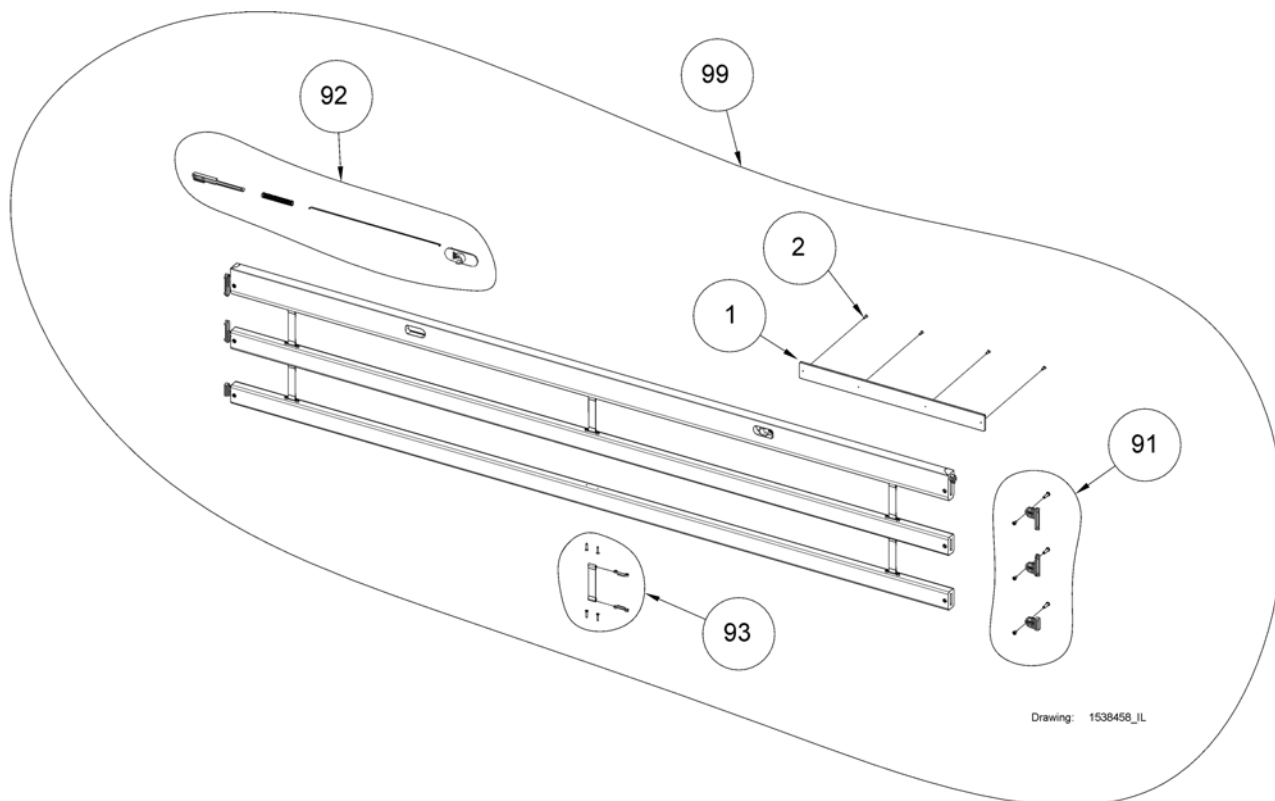


1	020024	LÅSEMEKANISEME SIDGRIND BRITT III TIL 2 GRINDER	1
2	319137	GLIDER NY FOR BRITT III GRIND KOMPLETT	2
3	413766	LÅSEBOLT TIL ENDEGAVLER STOPPER FOR BRITT BEST	2
4	817265	MØBELSKRUE MESSING HUN 20MM(5X20) BRITT III	4
5	814374	SKRUE Ø30X20	2
6	812367	MØBELSKRUE,MESS.M4X6,5 HAN BRITT II	4
7	1517167-0102	(Wood strip for wood side rails Britt Cherry)	2
7	1517167-0101	BØKLIST UNDER LÅSEMEK.BRITT III	2
8	1435328	(Label for wooden side rail)	1
99	019372.05	SIDGRIND BRITT HVITPIGM FORLENGET 215CM PAR	1
99	019372.02	SIDGRIND BRITT III PAR KIRSEBÆR 215CM	1
99	019372.01	SIDGRIND BRITT BØK PAR FORLENGET 215CM	1

(Britt III side rail)

1	020024	LÅSEMEKANISEME SIDGRIND BRITT III TIL 2 GRINDER	1
2	319137	GLIDER NY FOR BRITT III GRIND KOMPLETT	2
3	413766	LÅSEBOLT TIL ENDEGAVLER STOPPER FOR BRITT BEST	2
4	817265	MØBELSKRUE MESSING HUN 20MM(5X20) BRITT III	4
5	814374	SKRUE Ø30X20	2
6	812367	MØBELSKRUE,MESS.M4X6,5 HAN BRITT II	4
7	1517167-0102	(Wood strip for wood side rails Britt Cherry)	2
7	1517167-0101	BØKLIST UNDER LÅSEMEK.BRITT III	2
8	1435328	(Label for wooden side rail)	1
99	020434.05	SIDGRIND BRITT III PAR HVIT SB750-710-400	1
99	020434.02	SIDGRIND BRITT III PAR KIRSEBÆR SB750-710-400	1
99	020434.01	SIDGRIND BRITT III PAR BRUK SP020434-0101	1

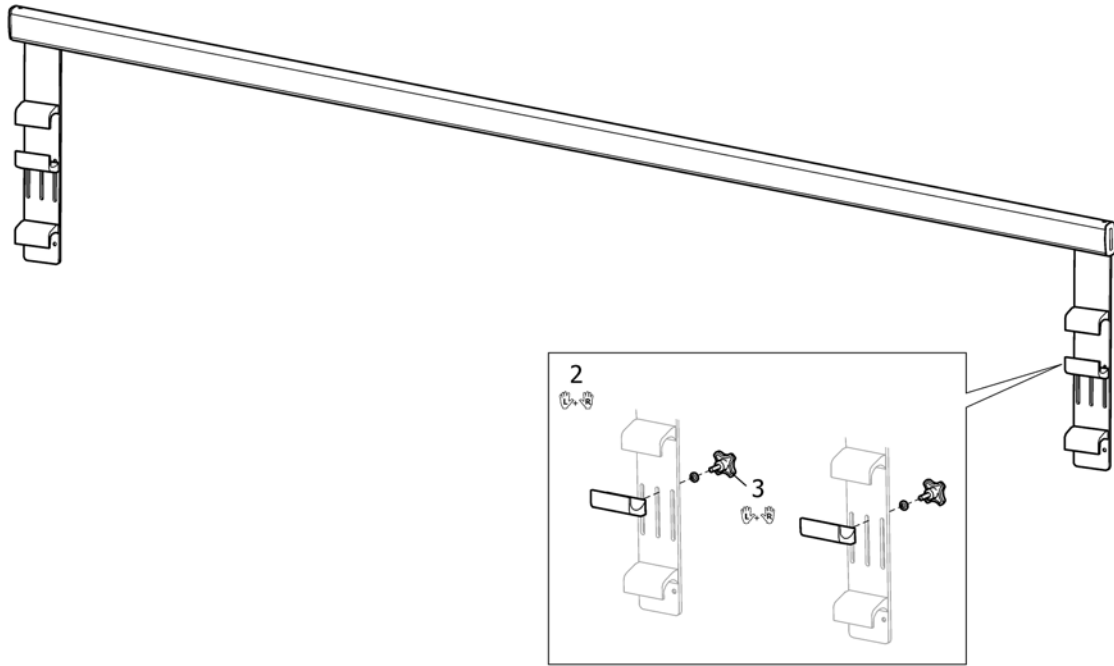
(Britt V side rail)



1	1538460-0101	(Wood cover piece, Britt V, beech)	2
1	1538460-0102	(Wood cover piece, Britt V, cherry)	2
1	1538460-0105	(Wood cover piece, Britt V, white pigmented)	2
2	816449	(Screw, Ø3,5x15)	8
91	1552606	GLIDER SIDTEGRIND BRITT v TIL 1 GRIND BRITT v	1
92	1552607	LÅSEMEKANISEME SIDTEGRIND BRITT V 1 GRIND BRITT V	1
93	1552608	STROPP LANG M LÅS BRITTV 1 SIDTEGRIND BRITT V	1
99	1538458-0101	SIDTEGRIND BRITT V PAR BØK SB 755 PAR 200 CM	1
99	1538458-0102	SIDTEGRIND BRITT V SB 755 /400/700 KIRSEBÆR PAR	1
99	1538458-0105	SIDTEGRIND BRITT V PAR HVITPIG SB 755 200 CM	1

(Height extension, Britt siderail)

1

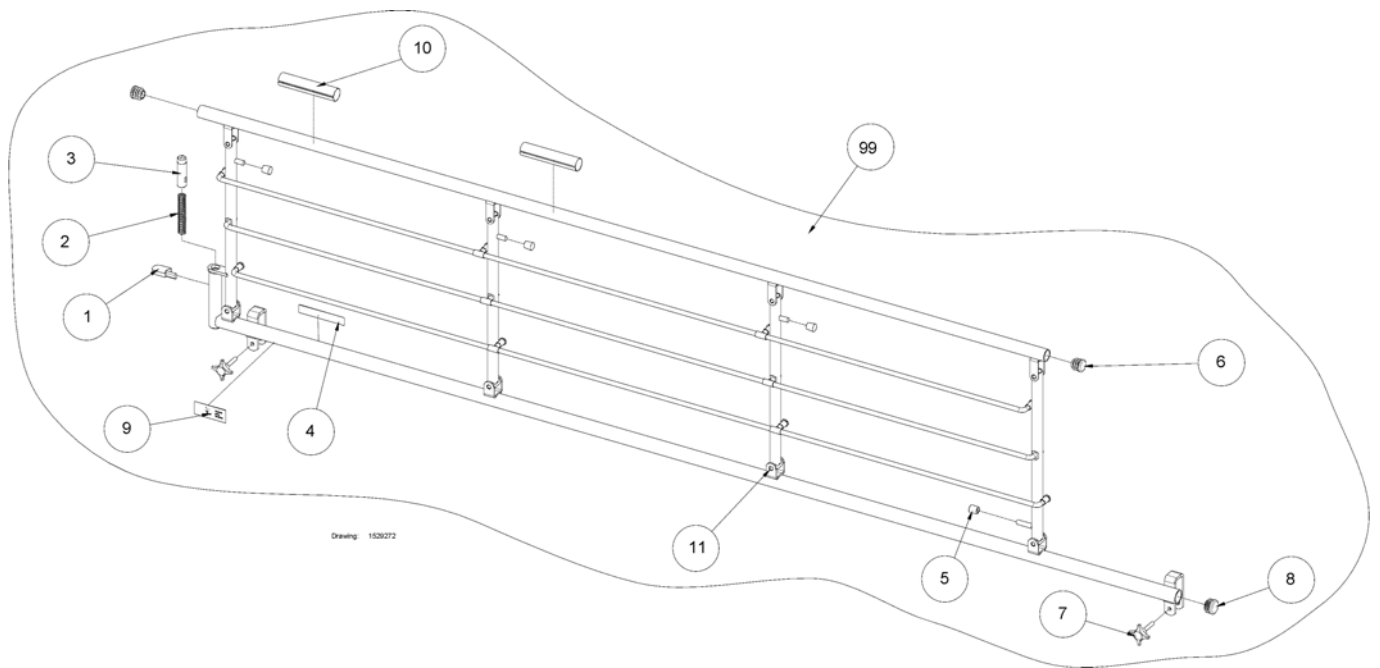


1	1538420-0125	(Height extension, Britt siderail)	1
2	SP1572643	(Fitting kit, siderail extension, Britt)	1
3	SP1572644	(Handwheel, pair)	1

(Scala steel side rail)

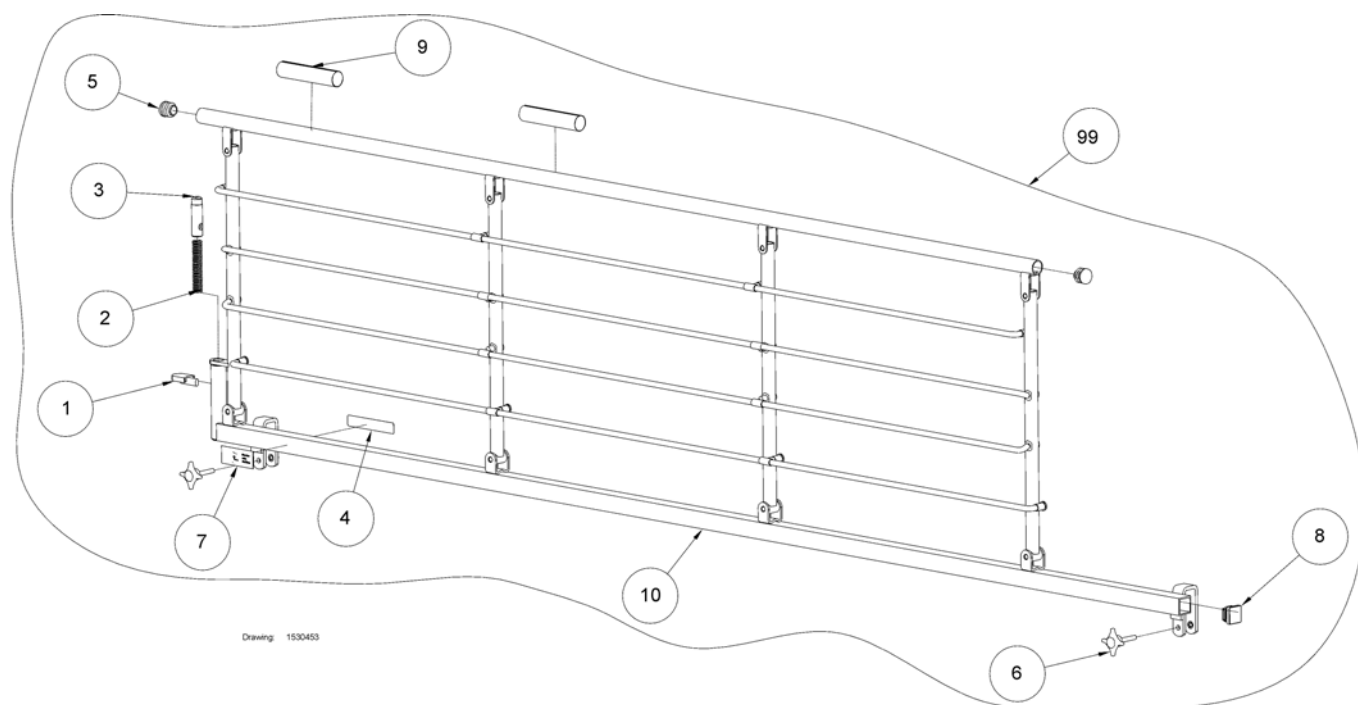
-	(Scala Basic 2 side rail)	1
-	(Scala Medium 2 side rail)	1
-	(Scala Decubi 2 side rail)	1
-	(Scala Basic Plus 2 side rail)	1

(Invacare® SB400) | (Side rails)
(Scala Basic 2 side rail)

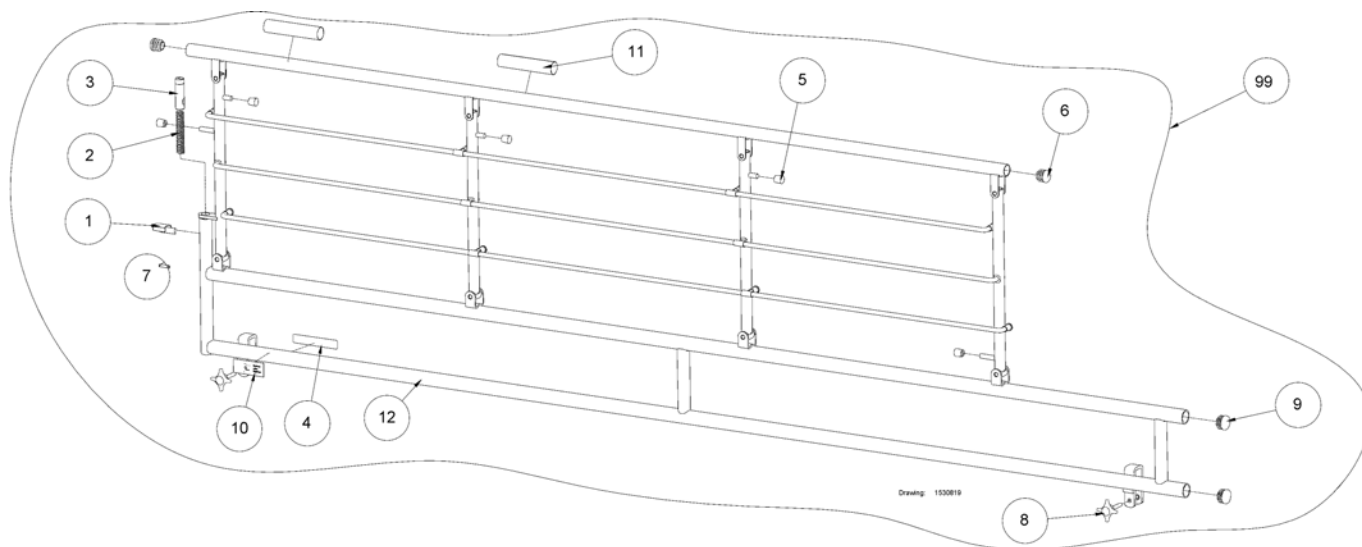


1	314291-7035	UTLØSERKNAPP FOR SIDTEGRIND METALL	1
2	414465	FJÆR FOR KORT SIDTEGRIND	1
3	414965-7035	LÅSEBOLT FOR KORT SIDTEGRIND	1
4	416303	(Type badge 15.9x88.9 white (silver-poly))	1
5	804386-7035	DOPPSKO Ø8 SIDTEGRIND METALL	1
6	804399-7035	ENDEPROPP SORT GL 22	1
7	818388-7035	FINGERSKRUE SIDTEGRIND SB750 400 ETUDE	1
8	819424-7035	()	1
9	1415774	(Label for positioning of side rail)	1
10	1435100	(Label for placement of hands, metal side rails)	1
11	1505835	(Not for separate sale - please contact Invacare)	0
99	1529272-1015	(Scala Basic 2, side rail left)	1
99	1528931-1015	()	1

(Scala Medium 2 side rail)

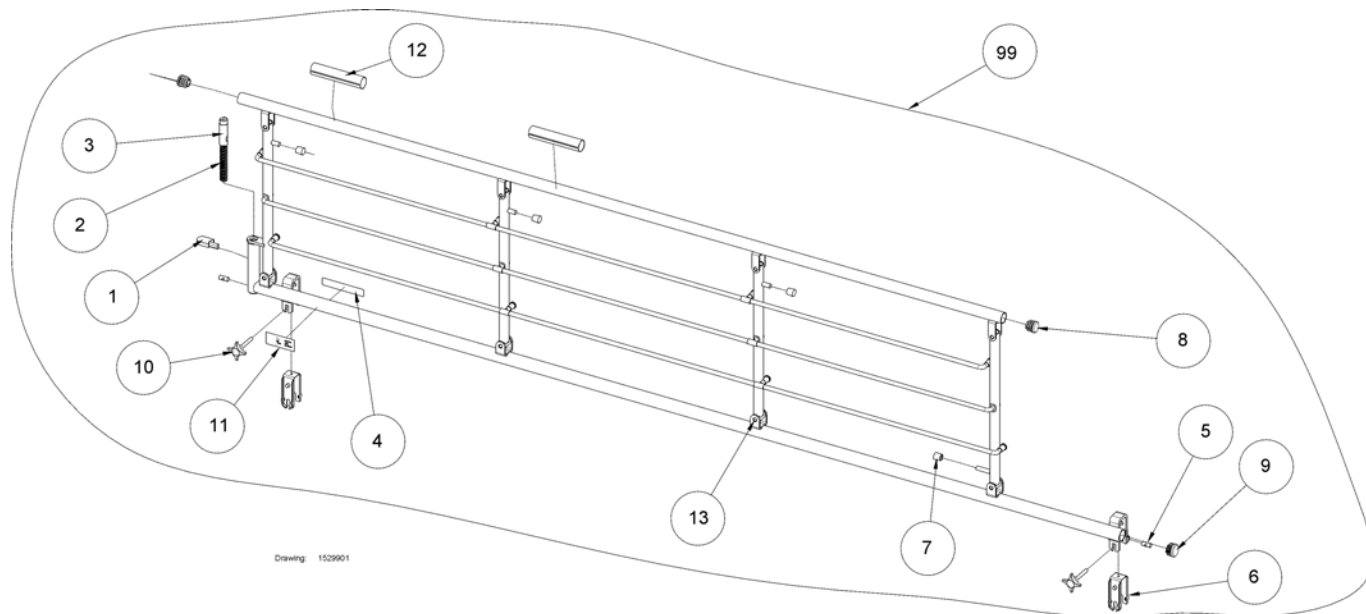


1	314291-7035	UTLØSERKNAPP FOR SIDEGRIND METALL	1
2	414465	FJÆR FOR KORT SIDEGRIND	1
3	414965-7035	LÅSEBOLT FOR KORT SIDEGRIND	1
4	416303	(Type badge 15.9x88.9 white (silver-poly))	1
5	804399-7035	ENDEPROPP SORT GL 22	1
6	818388-7035	FINGERSKRUE SIDEGRIND SB750 400 ETUDE	1
7	1415774	(Label for positioning of side rail)	1
8	1423912-7035	DOPPSKO 45x3,5 SB	1
9	1435100	(Label for placement of hands, metal side rails)	1
10	1505835	(Not for separate sale - please contact Invacare)	1
99	1530453-1015	(Scala Medium 2, side rail right)	1
99	1530437-1015	(Scala Medium 2, side rail left)	1



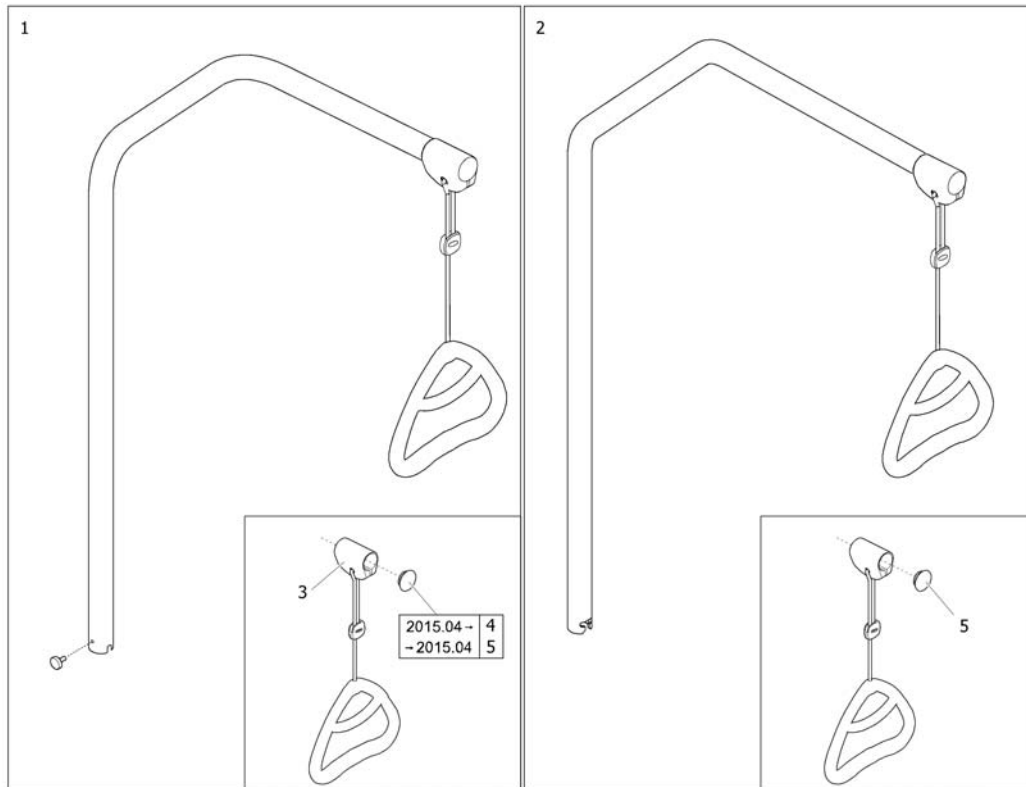
1	314291-7035	UTLØSERKNAPP FOR SIDEGRIND METALL	1
2	414465	FJÆR FOR KORT SIDEGRIND	1
3	414965-7035	LÅSEBOLT FOR KORT SIDEGRIND	1
4	416303	(Type badge 15.9x88.9 white (silver-poly))	1
5	804386-7035	DOPPSKO Ø8 SIDEGRIND METALL	1
6	804399-7035	ENDEPROPP SORT GL 22	1
7	806790	STIFT TIL EC-38	1
8	818388-7035	FINGERSKRUE SIDEGRIND SB750 400 ETUDE	1
9	819424-7035	()	1
10	1415774	(Label for positioning of side rail)	1
11	1435100	(Label for placement of hands, metal side rails)	1
12	1505835	(Not for separate sale - please contact Invacare)	1
99	1530819-1015	(Scala Decubi 2, side rail right)	1
99	1530818-1015	(Scala Decubi 2, side rail left)	1

(Scala Basic Plus 2 side rail)



1	314291-7035	UTLØSERKNAPP FOR SIDEGRIND METALL	1
2	414465	FJÆR FOR KORT SIDEGRIND	1
3	414965-7035	LÅSEBOLT FOR KORT SIDEGRIND	1
4	416303	(Type badge 15.9x88.9 white (silver-poly))	1
5	421468	SYLINDERMUTTER FOR SIDEGRINDFESTE	1
6	421843-7035	(Inlay for u-brace, steel side rail)	1
7	804386-7035	DOPPSKO Ø8 SIDEGRIND METALL	1
8	804399-7035	ENDEPROPP SORT GL 22	1
9	819424-7035	()	1
10	821251-7035	FINGERSKRUE GRÅ SIDEGRIND SCALA	1
11	1415774	(Label for positioning of side rail)	1
12	1435100	(Label for placement of hands, metal side rails)	1
13	1505835	(Not for separate sale - please contact Invacare)	1
99	1529901-1015	(Scala Basic Plus 2, side rail right)	1
99	1529746-1015	(Scala Basic Plus 2, side rail left)	1

(Lifting pole)



1	1542093-0154	LØFTEBØYLE SB 755 ALU	1
2	3000650.57650P0	SØSTERHJELP SB 755 INNSVINGBAR	1
3	SP320597	(Lifting Pole Handle with Suspension Kit)	1
4	SP317836	(Cap 33mm, lifting pole)	1
5	SP1574796	(Cap 30mm, lifting pole)	1



Yes, you can.®



Belgium & Luxemburg:

Invacare nv, Autobaan 22, B-8210 Loppem
Tel: (32) (0)50 83 10 10, Fax: (32) (0)50 83 10 11
belgium@invacare.com / www.invacare.be

Denmark:

Invacare A/S, Sdr. Ringvej 37, DK-2605 Brøndby
Tel: (45) (0)36 90 00 00, Fax: (45) (0)36 90 00 01
denmark@invacare.com / www.invacare.dk

Deutschland:

Invacare Aquatec GmbH, Alemannenstraße 10, D-88316 Isny
Tel: (49) (0)75 62 7 00 0, Fax: (49) (0)75 62 7 00 66
info@invacare-aquatec.com / www.invacare-aquatec.de

European Distributor Organisation:

Invacare, Kleiststraße 49, D-32457 Porta Westfalica
Tel: (49) (0)57 31 754 540, Fax: (49) (0)57 31 754 541
edo@invacare.com / www.invacare.eu.com

España:

Invacare SA, c/Areny s/n, Polígon Industrial de Celrà, E-17460 Celrà (Girona)
Tel: (34) (0)972 49 32 00, Fax: (34) (0)972 49 32 20
contactsp@invacare.com / www.invacare.es

France:

Invacare Poirier SAS, Route de St Roch, F-37230 Fondettes
Tel: (33) (0)2 47 62 64 66, Fax: (33) (0)2 47 42 12 24
contactfr@invacare.com / www.invacare.fr

Ireland:

Invacare Ireland Ltd, Unit 5 Seatown Business Campus, Seatown Road, Swords, County Dublin - Ireland
Tel: (353) 1 810 7084, Fax: (353) 1 810 7085
ireland@invacare.com / www.invacare.ie

Italia:

Invacare Mecc San s.r.l., Via dei Pini 62, I-36016 Thiene (VI)
Tel: (39) 0445 38 00 59, Fax: (39) 0445 38 00 34
italia@invacare.com / www.invacare.it

Nederland:

Invacare BV, Celsiusstraat 46, NL-6716 BZ Ede
Tel: (31) (0)318 695 757, Fax: (31) (0)318 695 758
nederland@invacare.com, csede@invacare.com / www.invacare.nl

Norge:

Invacare AS, Grensesvingen 9, Postboks 6230, Etterstad, N-0603 Oslo
Tel: (47) (0)22 57 95 00, Fax: (47) (0)22 57 95 01
norway@invacare.com, island@invacare.com / www.invacare.no

Österreich:

Invacare Austria GmbH, Herzog Odilostrasse 101, A-5310 Mondsee
Tel: (43) 6232 5535 0, Fax: (43) 6232 5535 4
info-austria@invacare.com / www.invacare.at

Portugal:

Invacare Lda, Rua Estrada Velha, 949, P-4465-784 Leça do Balio
Tel: (351) (0)225 1059 46/47, Fax: (351) (0)225 1057 39
portugal@invacare.com / www.invacare.pt

Sverige & Suomi:

Invacare AB, Fagerstagatan 9, S-163 91 Spånga
Tel: (46) (0)8 761 70 90, Fax: (46) (0)8 761 81 08
sweden@invacare.com, finland@invacare.com / www.invacare.se

Switzerland:

Invacare AG, Benkenstrasse 260, CH-4108 Witterswil
Tel: (41) (0)61 487 70 80, Fax: (41) (0)61 487 70 81
switzerland@invacare.com / www.invacare.ch

United Kingdom:

Invacare Limited, Pencoed Technology Park, Pencoed, Bridgend CF35 5AQ
Switchboard Tel: (44) (0)1656 776200, Fax: (44) (0)1656 776201
Customer services Tel: (44) (0)1656 776222, Fax: (44) (0)1656 776220
uk@invacare.com / www.invacare.co.uk