

# Spare Parts Catalogue

---

Version: 2015/05/19a NO

*Aquatec® Ocean E-Vip*





**Yes, you can.®**

## **General Information**

*For any order of spare parts the following information is required:*

- Product type*
- Product name & model*
- Serial Number*
- Part-Number*
- Part-Description*

*Exploded view drawings and code numbers are not contractual and subject to modification, in relation to Invacare® continuous product improvement policy to meet end users needs.*

*The reproduction or use of this work, or of any substantial part of this work, in any form or by any electronic, mechanical or other means, including photocopying, scanning and recording, and in any information storage and retrieval system, including electronic transmission, is forbidden without the prior written permission of Invacare® International Sarl.*



**Yes, you can.®**

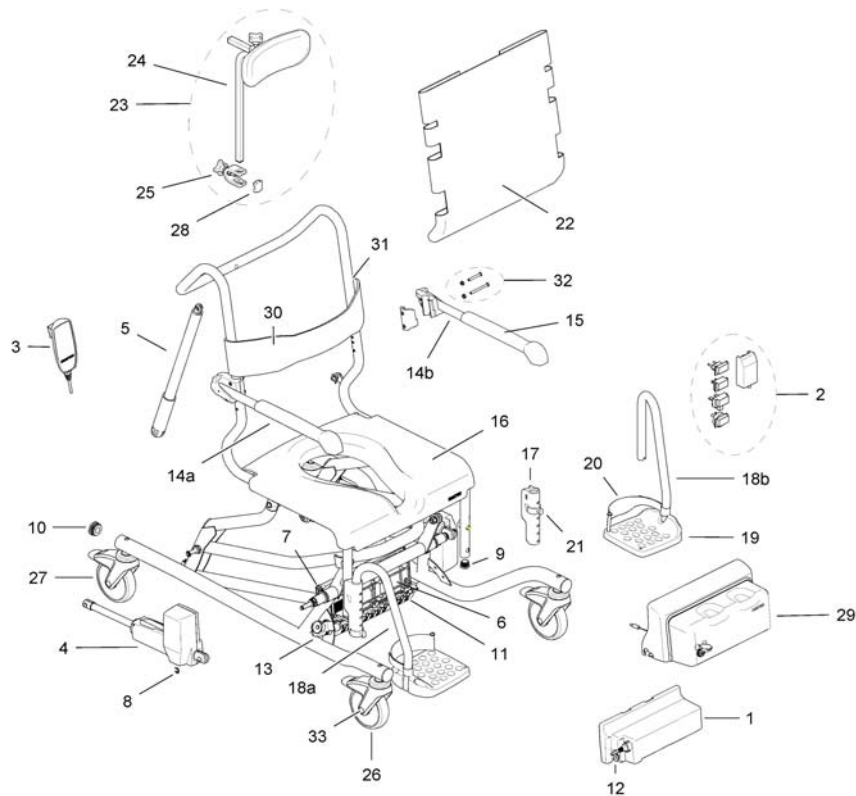
## **TABLE OF CONTENTS**

---

Aquatec® Ocean E-Vip sprengskisse .....	5
Tilbehør .....	7



# Aquatec® Ocean E-Vip sprengskisse

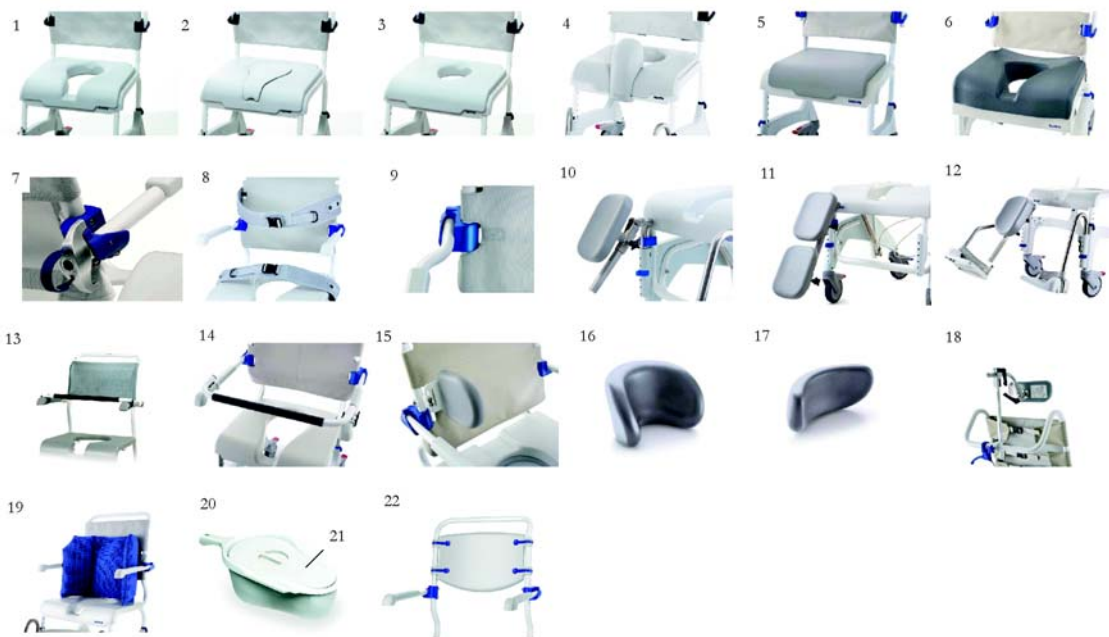


1	1525920	BATTERI OCEAN E-VIP OCEAN E-VIP	1
2	1471153	LADER OCEAN E VIP OCEAN E VIP	1
30	1470081	BRYSTBELTE ALLE OCEAN 98-110 CM AQUATEC	1
3	1471154	BETJENINGSBOKS OCEAN EVIP OCEAN E VIP	1
	1522315	(Fixing bracket for pelvisbelt Ocean and Ocean VIP)	1
4	1471155	MOTOR LØFT E-VIP OCEAN E VIP	1
5	1471156	MOTOR TILT OCEAN E VIP OCEAN E VIP	1
6	1471157	KONTROLLBOKS MED PLATE EVIP OCEAN E VIP	1
7	1471158	SKRUESETT FOR FESTE AV KONTROLLBOKS E-VIP	1
8	1471159	(Retaining ring for actuators, set, for Ocean E-Vip)	1
	1470082	BEKKENBELTE ALLE OCEAN 98-110 CM AQUATEC	1
28	1514509	PLASTSTYKKE FOR HOLDER HODESTØTTE OCEAN	1
9	1471160	(Plug for seat tube, Ocean E-Vip)	1
29	1525709	DEKSEL STYRING BATTERI OCEAN E-VIP	1
10	1471161	ENDEPLUGG SIDESTYKKE E-VIP	1
31	1522314	(Fixing bracket for chestbelt Ocean and Ocean VIP)	1
33	1513809	(Cover cap for 5" wheel for Ocean Ocean Vip, Ocean Dual Vip, Ocean E-Vip)	1
11	1471162	KABELLÅS FOR KONTROLLBOKS OCEAN E-VIP	1
32	1471052	(Screws (set) for armrest Ocean/ Ocean Vip)	1
12	1471207	(Cap for charging jack Ocean E-Vip)	1
13	1471626	BRYTER NØDSENK OCEAN E-VIP	1
14b	1470694	ARMLÉN RETT VENSTRE KPL OCEAN VIP	1
14a	1470693	ARMLÉN RETT HØYRE KOMPL OCEAN VIP	1
15	16472	ARMLENSPUTE OCEAN OCEAN	1
16	16262	SETE AQUATEC OCEAN	1
17	1470929	FESTE BENSTØTTE OCEAN VIP AQUATEC, S/N 1802174>	1
18b	16432	BENSTØTTE KOMPLETT VE OCEAN	1
18a	16433	BENSTØTTE KOMPLETT HØ OCEAN	1
19	16260	FOTPLATE AQUATEC OCEAN	1
20	16334	HÆLSTROPP PAR DUSJ/TOASTOL OCEAN	1
	1536056	(PEG, HEEL STRAP)	1

**Aquatec® Ocean E-Vip sprengskisse**

---

	1536057	(Screw (A2KV) K50x16 for Heel loop)	1
21	16333	LÅSEKLIPS FOTSTØTTE DUSJ/TOASTOL OCEAN	1
22	1471143	RYGGTREKK OCEAN VIP, E-VIP DUAL VIP	1
23	1470790	HODESTØTTE KPL MED FESTE OCEAN VIP	1
24	1470700	NAKKESTØTTE OCEAN VIP U/FESTE FESTE 1470971	1
25	1470971	HOLDER MED SKRUE HODESTØTTE OCEAN <i>Starting with serial number 1905917 (18/10/2006)</i>	1
25	1470691	FESTEBESLAG HODESTØTTE OCEAN VIP <i>Until serial number 1905916 (17/10/2006)</i>	1
26	16259	HJUL 5" M BREMS, RØD. OCEAN OG OCEAN VIPP	1
27	1470687	HJUL 5" M BREMS BLÅ, RETN- SPERRE. OCEAN VIPP	1



1	16341	SETE MYKT INTIMHULL OCEAN OCEAN E-VIP	1
2	16343	SETEKLOSS TIL MYKSETE HYGIENEUTSKJÆRING OCEAN	1
3	16342	SETE MYKT OVALT HULL OCEAN	1
4	16511	SPRUTBESKYTTER OCEAN	1
5	1526032	SETE MYKT UTEN HULL OCEAN ALLE TYPER OG PICO	1
6	1531259	SETE SOFT ERGONOMISK INTIMHULL VIP OG E-VIP	1
7	1470077	LÅS ARMLEN OCEAN VIP AQUATEC	2
8	1470081	BRYSTBELTE ALLE OCEAN 98-110 CM AQUATEC	1
8	1470082	BEKKENBELTE ALLE OCEAN 98-110 CM AQUATEC	1
9	1470086	ARMLEN UTVIDET OCEAN OG OCEAN VIP E-VIP PAR	1
10	1470083	AMPUTASJONSSTØTTE VE OCEAN VIP	1
10	1470827	AMPUTASJONSSTØTTE HØ OCEAN VIP	1
	1514508	(fixing clamp for amputation support)	1
10	1556894	AMPUTASJONSSTØTTE VE OCEAN	1
10	1556893	AMPUTASJONSSTØTTE HØ OCEAN	1
11	1470828	LEGGSTØTTE HØYRE OCEAN VIP	1
12	1546705	BENSTØTTE VREG KPL VE ALLE OCEAN	1
12	1546439	BENSTØTTE VREG KPL HØ ALLE OCEAN	1
13	10167-10	SIKKERHETSBOYLE DUSJ/TOALETSTOL OCEAN	1
14	1470078	SIKKERHETSBOYLE BUET OCEAN XL ALLE TYPER	1
15	1535077	SIDESTØTTE OCEAN M.FESTE OCEAN STK	1
16	1531608	NAKKESTØTTE PUTE BUET OCEAN VIPP U STOLPE OG F	1
17	1531465	HODESTØTTE PUTE BUET OCEAN U STOLPE OG FESTE	1
18	1531613	HODESTØTTE HOLDER TIL OCEAN VIPP	1
19	1558769	RYGGPUTE MYK OCEAN SERIEN BLÅ	1
20	10230	BEKKEN M LOKK PLAST OCEAN ALLE LAGUNA	1
21	1541289	(Lid for pan Ocean, Ocean VIP, XL)	1
	1471233	BEKKENHOLDER OCEAN E-VIP OCEAN E-VIP	1
22	1575299	FAST RYGG OCEAN NY APRIL 2015	1



Yes, you can.®



---

**Belgium & Luxemburg:**

Invacare nv, Autobaan 22, B-8210 Loppem  
Tel: (32) (0)50 83 10 10, Fax: (32) (0)50 83 10 11  
belgium@invacare.com / www.invacare.be

**Denmark:**

Invacare A/S, Sdr. Ringvej 37, DK-2605 Brøndby  
Tel: (45) (0)36 90 00 00, Fax: (45) (0)36 90 00 01  
denmark@invacare.com / www.invacare.dk

**Deutschland:**

Invacare Aquatec GmbH, Alemannenstraße 10, D-88316 Isny  
Tel: (49) (0)75 62 7 00 0, Fax: (49) (0)75 62 7 00 66  
info@invacare-aquatec.com / www.invacare-aquatec.de

**European Distributor Organisation:**

Invacare, Kleiststraße 49, D-32457 Porta Westfalica  
Tel: (49) (0)57 31 754 540, Fax: (49) (0)57 31 754 541  
edo@invacare.com / www.invacare.eu.com

**España:**

Invacare SA, c/Areny s/n, Polígon Industrial de Celrà, E-17460 Celrà (Girona)  
Tel: (34) (0)972 49 32 00, Fax: (34) (0)972 49 32 20  
contactsp@invacare.com / www.invacare.es

**France:**

Invacare Poirier SAS, Route de St Roch, F-37230 Fondettes  
Tel: (33) (0)2 47 62 64 66, Fax: (33) (0)2 47 42 12 24  
contactfr@invacare.com / www.invacare.fr

**Ireland:**

Invacare Ireland Ltd, Unit 5 Seatown Business Campus, Seatown Road, Swords, County Dublin - Ireland  
Tel: (353) 1 810 7084, Fax: (353) 1 810 7085  
ireland@invacare.com / www.invacare.ie

**Italia:**

Invacare Mecc San s.r.l., Via dei Pini 62, I-36016 Thiene (VI)  
Tel: (39) 0445 38 00 59, Fax: (39) 0445 38 00 34  
italia@invacare.com / www.invacare.it

**Nederland:**

Invacare BV, Celsiusstraat 46, NL-6716 BZ Ede  
Tel: (31) (0)318 695 757, Fax: (31) (0)318 695 758  
nederland@invacare.com, csede@invacare.com / www.invacare.nl

**Norge:**

Invacare AS, Grensesvingen 9, Postboks 6230, Etterstad, N-0603 Oslo  
Tel: (47) (0)22 57 95 00, Fax: (47) (0)22 57 95 01  
norway@invacare.com, island@invacare.com / www.invacare.no

**Österreich:**

Invacare Austria GmbH, Herzog Odilostrasse 101, A-5310 Mondsee  
Tel: (43) 6232 5535 0, Fax: (43) 6232 5535 4  
info-austria@invacare.com / www.invacare.at

**Portugal:**

Invacare Lda, Rua Estrada Velha, 949, P-4465-784 Leça do Balio  
Tel: (351) (0)225 1059 46/47, Fax: (351) (0)225 1057 39  
portugal@invacare.com / www.invacare.pt

**Sverige & Suomi:**

Invacare AB, Fagerstagatan 9, S-163 91 Spånå  
Tel: (46) (0)8 761 70 90, Fax: (46) (0)8 761 81 08  
sweden@invacare.com, finland@invacare.com / www.invacare.se

**Switzerland:**

Invacare AG, Benkenstrasse 260, CH-4108 Witterswil  
Tel: (41) (0)61 487 70 80, Fax: (41) (0)61 487 70 81  
switzerland@invacare.com / www.invacare.ch

**United Kingdom:**

Invacare Limited, Pencoed Technology Park, Pencoed, Bridgend CF35 5AQ  
Switchboard Tel: (44) (0)1656 776200, Fax: (44) (0)1656 776201  
Customer services Tel: (44) (0)1656 776222, Fax: (44) (0)1656 776220  
uk@invacare.com / www.invacare.co.uk