

Spare Parts Catalogue

Version: 2009/10/13a NO



Invacare® Robin™



Yes, you can.®

General Information

For any order of spare parts the following information is required:

- Product type*
- Product name & model*
- Serial Number*
- Part-Number*
- Part-Description*

Exploded view drawings and code numbers are not contractual and subject to modification, in relation to Invacare® continuous product improvement policy to meet end users needs.

The reproduction or use of this work, or of any substantial part of this work, in any form or by any electronic, mechanical or other means, including photocopying, scanning and recording, and in any information storage and retrieval system, including electronic transmission, is forbidden without the prior written permission of Invacare® International Sarl.



Yes, you can.®

TABLE OF CONTENTS

Motor komplett

(Motor hoist complete) 5

(1 set of strap, clips and hook)

(1 set of strap, clips and hook) 6

(Strap hook assembly)

(Strap hook assembly) 7

(Bottom cover assembly, Robin)

(Bottom cover assembly, Robin) 8

(Battery pack)

(Battery pack) 9

(Robin mechanics) 10

(Suspension) 11

(Side plate, motor side) 12

(Side plate with electrical parts)

(Side plate with electrical parts) 13

(Emergency strap) 14

(Side plate, battery side)

(Side plate, battery side) 15

(Strap inlet for Robin)

(Strap inlet for Robin) 16

(Gearwheel and axle)

(Gearwheel and axle) 17

(Bridge for Panex retainers, Robin)

(Bridge for Panex retainers, Robin) 18

Elektriske deler

(Holder and wall bracket)

(Holder and wall bracket) 19

(Charger kit, complete)

(Charger kit, complete) 20

(Charger set, EU plug)

(Charger set, EU plug) 21



Yes, you can.®

TABLE OF CONTENTS

(Holder and wall bracket)

(Holder and wall bracket) 19

(Charger set, UK plug)

(Charger set, UK plug) 22

(Holder and wall bracket)

(Holder and wall bracket) 19

(Hand control Robin) 23

Løftebøyle

(Flexiscope, adjustable spreader bar, Robin)

(Flexiscope, adjustable spreader bar, Robin) 24

(4 point spreader bar 450 mm)

(4 point spreader bar 450 mm) 25

(2 point spreader bar 350 mm)

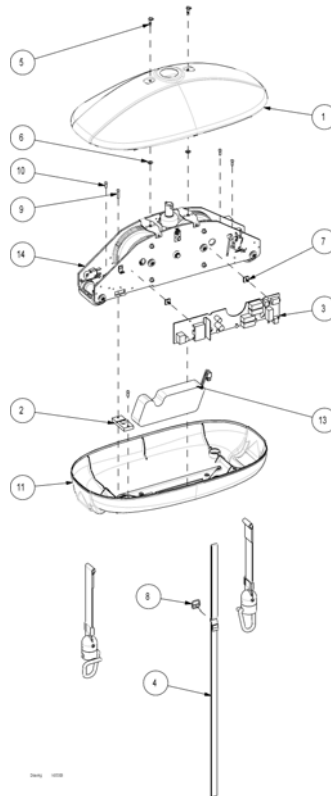
(2 point spreader bar 350 mm) 26

(2 point spreader bar 450 mm)

(2 point spreader bar 450 mm) 27

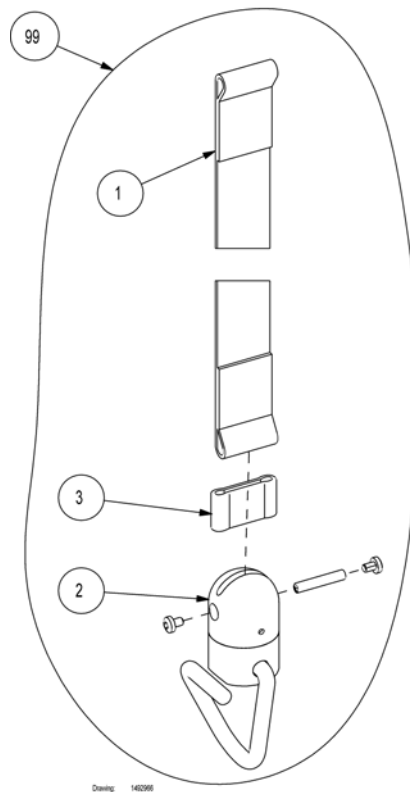
Tilbehør

(Transport handle Robin) 28

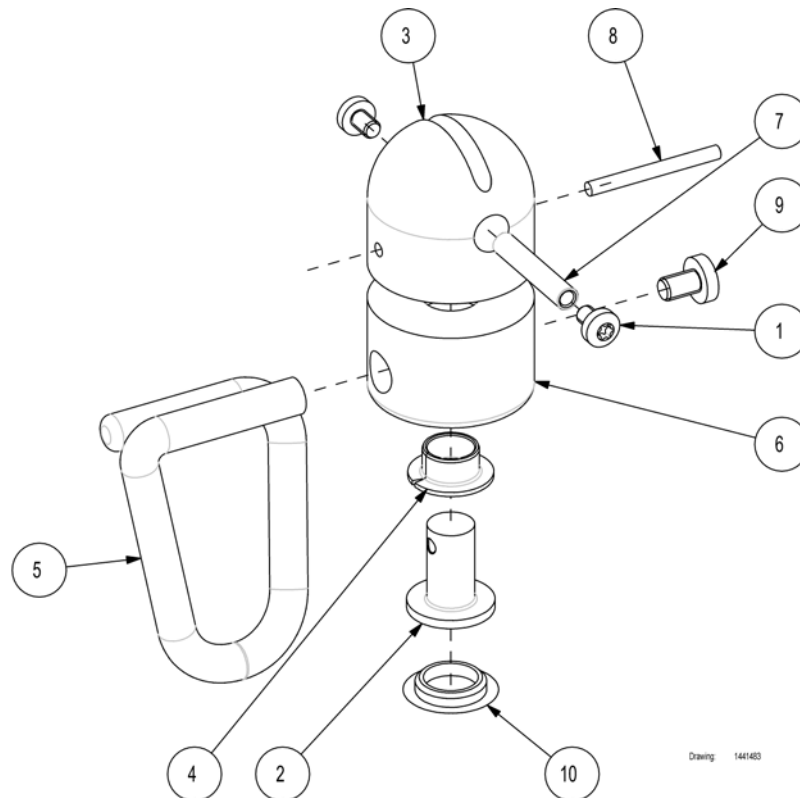


12		(1 set of strap, clips and hook)	1
11		(Bottom cover assembly, Robin)	1
13		(Battery pack)	1
14	-	(Robin mechanics)	1
1	1441366-7012	(Top cover for Robin, RAL 7012)	1
1	1441366-7035	DEKSEL TOPP ROBINTAKHEIS GRÅ	1
2	1444009	(Guide plate for hand control)	1
3	1444060	\$STYRING 8PCB)ROBIN BRUK 1492489	1
4	1444066	NØDSENKNINGSSTROPP RØDROBIN	1
5	1444079	FINGERSKRUE 4MM STUDSROBIN MOTOR	2
6	1444082	(Panex Ø4mm retainer)	2
7	1446433	HYLSE FESTE KRETSKORTROBIN	2
8	1446434	(Part not for sale)	1
9	1446442	(Screw Ø4x20 PH Torx)	1
10	1446443	(Screw Ø4x12 PH Torx)	4

(1 set of strap, clips and hook)

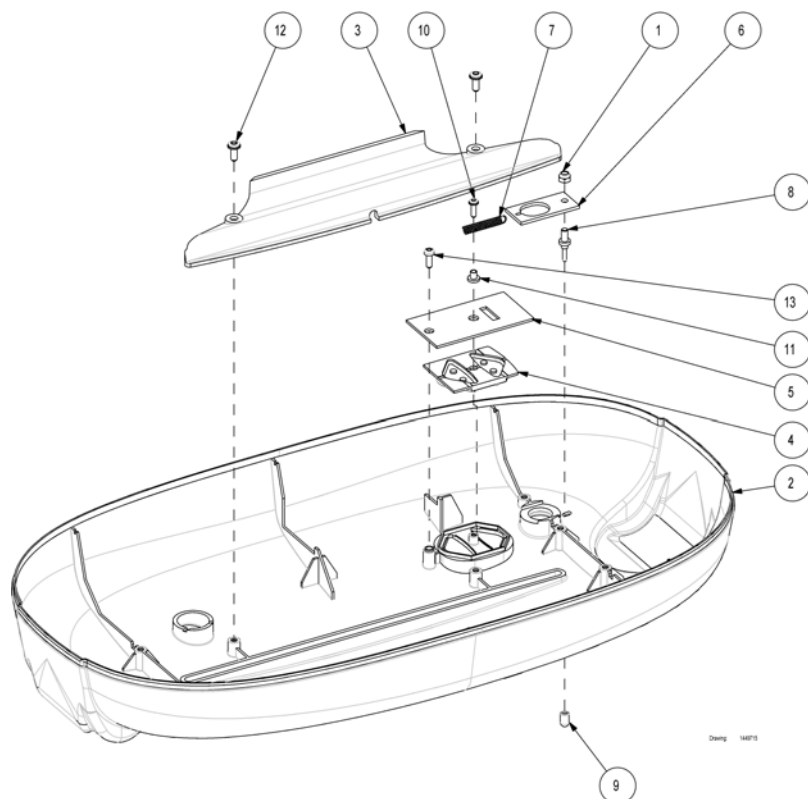


2	(Strap hook assembly)	1
2 1441483	(Strap hook assembly, RAL 7012)	1
3 1446454	(Strap clips for Robin straps)	1
99 1446455-7012	LØFTEBÅND MED STROPPLÅSKROK SETT AV 2 STK ROBIN	1

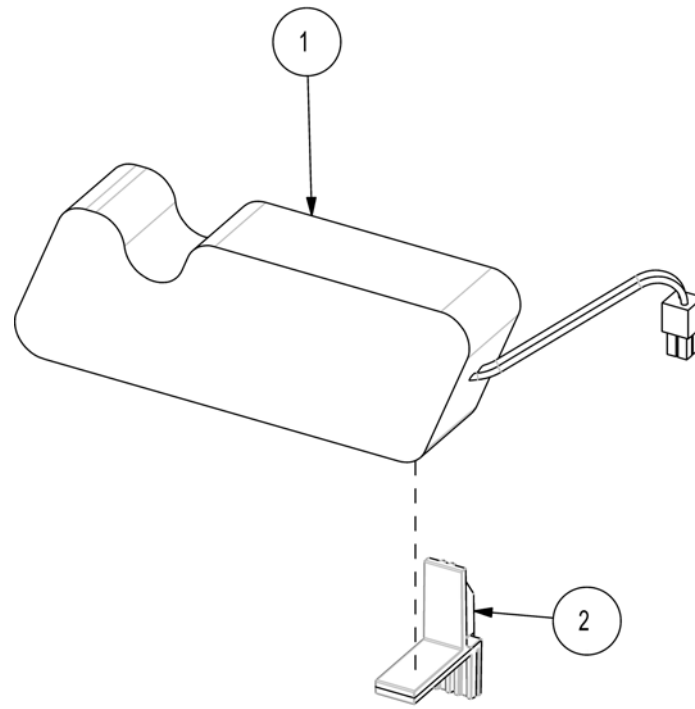


1	818329	(Screw M4x6 ISO 7045 Torx Taptite)	1
2	1441269	(Pivoting pin)	1
3	1441274-7012	(Housing, upper, RAL 7012)	1
4	1441378	(Bearing bushing Ø10)	1
5	1441484-7012	(Strap hook, Ø8, RAL 7012)	1
6	1441485-7012	(Housing, lower, RAL 7012)	1
7	1441498	(Screw Ø5 EN 10278, special)	1
8	1444061	(Pin Ø3x32 ISO 2338 A2)	1
9	1446252	(Screw M5x8 ISO 7045 A4)	1
10	1449388	(Plastic cap for hook Ø20xØ15x3 RAL 7012)	1

(Bottom cover assembly, Robin)



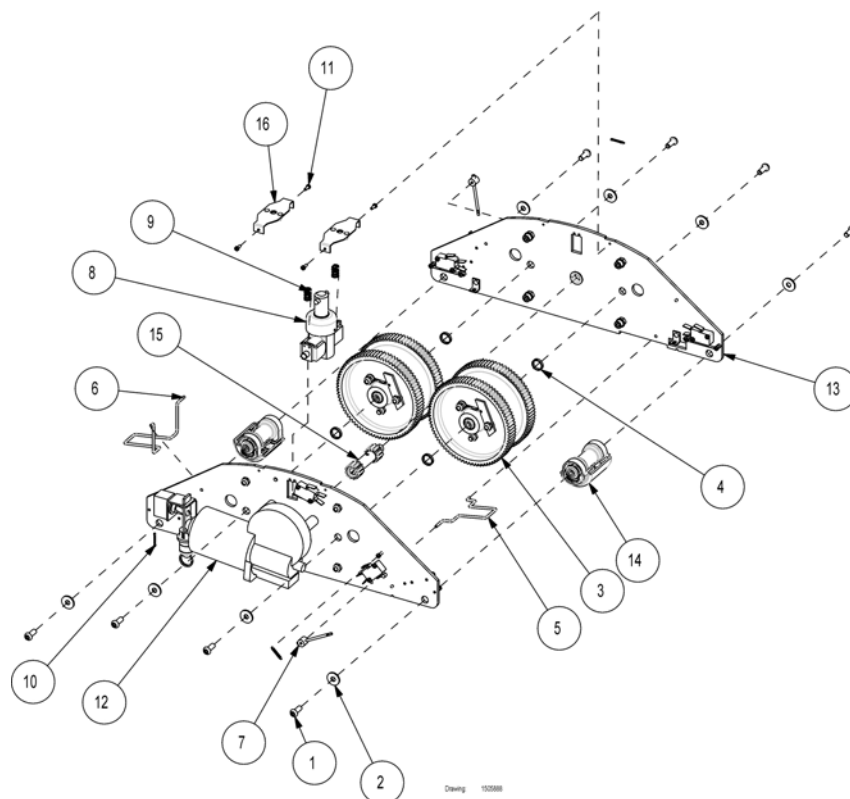
1	804464	(Nut M4 ISO 10512 self locking)	1
2	1441367-7046	(Bottom cover for Robin, RAL 7046)	1
2	1441367-9010	DEKSEL BUNN ROBINTAKHEIS HVIT	1
3	1443822	(Fiberoptic light guide, Robin)	1
4	1443843	(Operation button, Robin)	1
5	1443990	(PCB for hand control)	1
6	1443991	(Hand control cable relief)	1
7	1444074	(Spring Ø0,6xØ5x25)	1
8	1444075	(Release pin for hand control cable)	1
9	1444076	(Cap for release pin)	1
10	1446440	(Screw M3x10 Torx)	1
11	1449504	(Distance bushing Ø3,1xØ7,5x4,5)	1
12	1449505	(Screw M4x10 Torx)	1
13	1450323	(Screw M3,5x10 Torx)	1



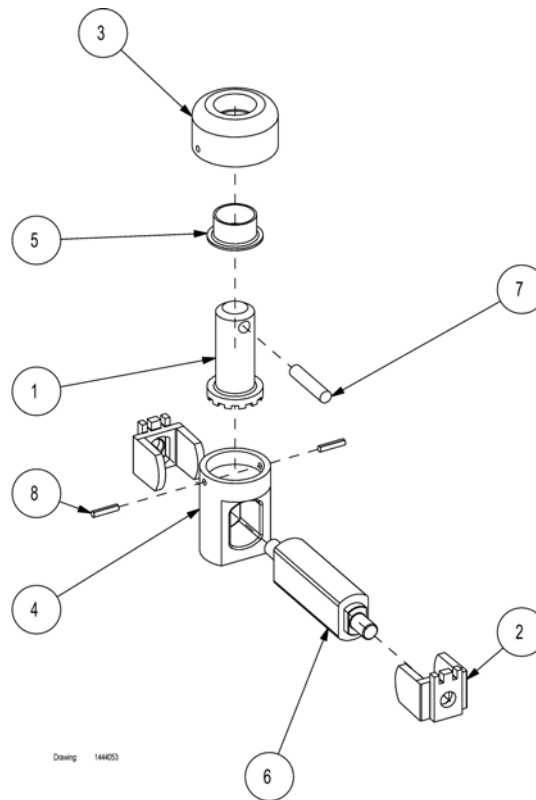
Drawing: 1493139

1	1493139	BATTERI ROBINFOR MOTOR ROB.1BAA013000	1
2	1496345	BATTERIHOLDER ROBINMOTOR ROB	1

(Robin mechanics)



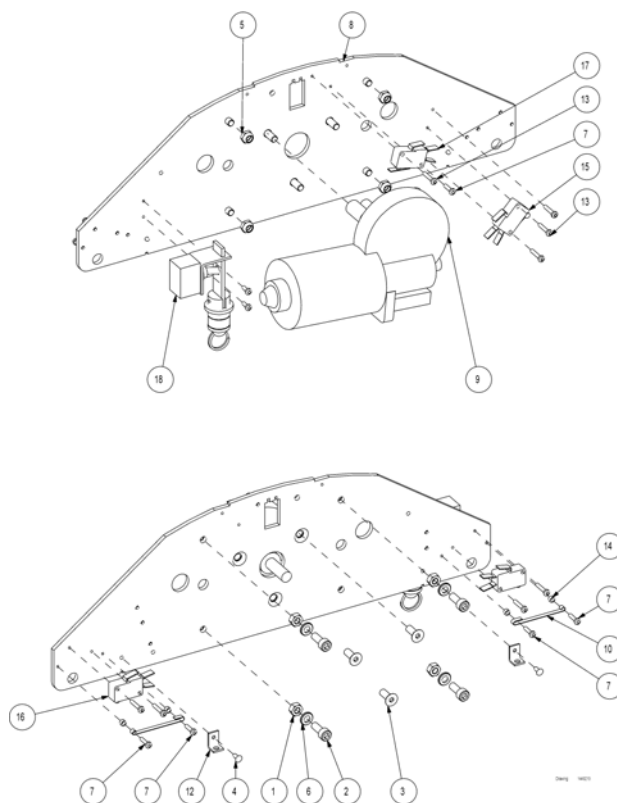
12	-	(Side plate, motor side)	1
16	-	(Bridge for Panex retainers, Robin)	2
15	-	(Gearwheel and axle)	1
8	-	(Suspension)	1
14	-	(Strap inlet for Robin)	2
13	-	(Side plate, battery side)	1
1	806661	(Screw M6x16 St. 10.9 ISO 7380)	8
2	811451	(Washer Ø18/Ø6,4)	8
3	1435304	DRIVHJUL LØFTESTROPPOBIN	2
4	1441359	(Distance washer Ø13/2,8)	4
5	1443942	FØLER TIL LØFTESTROPPOBIN	1
6	1443943	FØLER TIL LØFTESTROPPOBIN	1
7	1443981	(Switch arm for loose strap sensor, Robin)	2
9	1444054	(Spring Ø1,25xØ8x15)	2
10	1444070	FJÆR ROBIN MOTORROBIN 24V NI-MH	3
11	1444081	(Screw M3x8 ISO 7045 Torx)	4



Drawing 144053

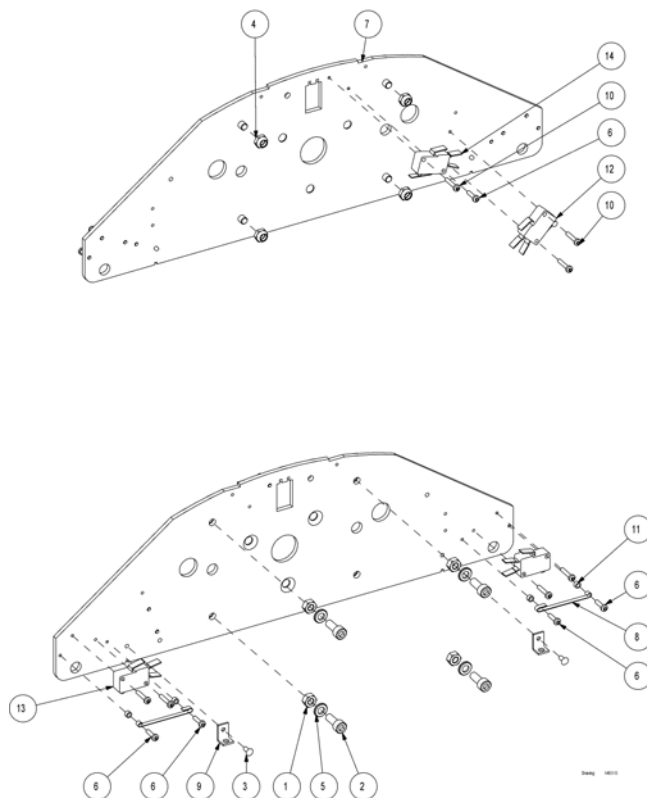
1	1435367	(Rotation axle, Robin)	1
2	1441333	(Scale slider, Robin)	2
3	1441371	(Suspension base, upper)	1
4	1441372	(Suspension base, upper, Robin)	1
5	1441496	(Ø18 PTFE bearing)	1
6	1444055	(Suspension axle, Robin)	1
7	1444056	(Pin Ø6x28 A4)	1
8	1450515	SPÅRSTIFTØ3X14 SVART DINROBIN	2

Invacare® Robin | Motor komplett
(Side plate, motor side)



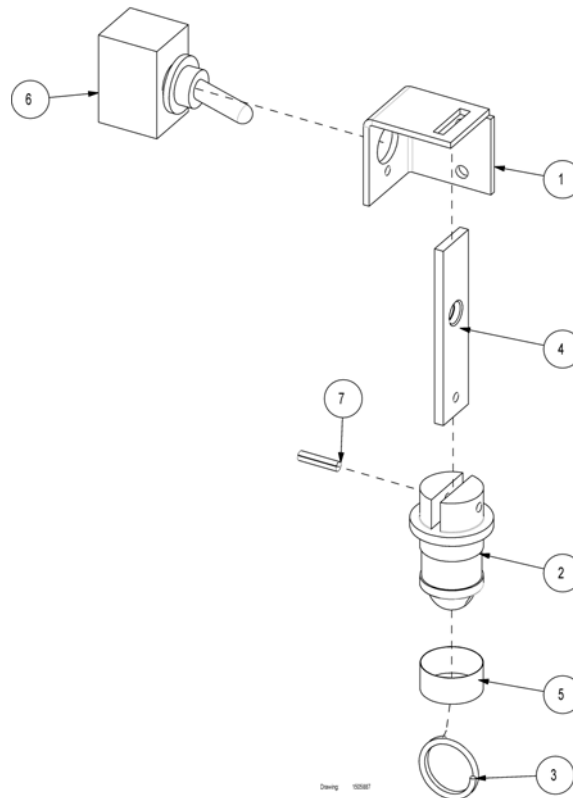
4	(Side plate with electrical parts)	1
5	(Emergency strap)	1
1	803205 (Screw M6x16 ISO 10642)	3
2	1444071 MOTOR TAKLØFT 18V403.936 ROBIN	1
3	1444081 (Screw M3x8 ISO 7045 Torx)	2

(Side plate with electrical parts)

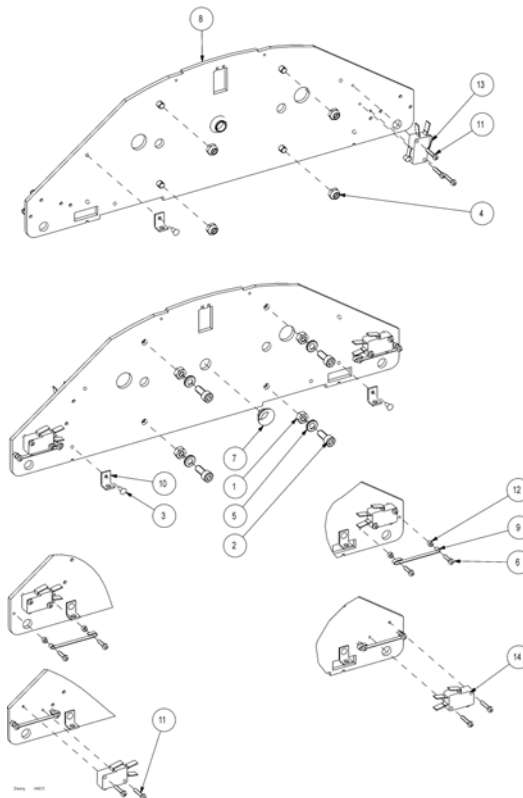


1	802728	MUTTER TIL MONT AVSENG I KÅGÅRDRAMME BEST	1
2	803033	SKRUE INV 6KANT CH M6X16	1
3	803803	(Rivet Ø3,2x7)	1
4	803992	LÅSEMUTTER M6RILLER	1
5	804213	SKIVE TIL MONT AVSENG I KÅGÅRDRAMME BEST	1
6	821245	(Screw M3x12 ISO 7045 Torx Taptite)	1
7	1443835	(Motor chassis plate, Robin)	1
8	1444078	(Spring for end stop switch 0,5x4 mm)	1
9	1446444	(Angled bracket for Robin)	1
10	1449389	(Screw M3x16 ISO 7045 Torx Taptite)	1
11	1449471	(Distance bushing Ø5,3xØ3,1x3)	1
12	1449712	(Microswitch for strap sensor)	1
13	1449713	(Microswitch for strap sensor)	1
14	1492099	(Microswitch with arm, room coupling)	1

Invacare® Robin | Motor komplett
(Emergency strap)

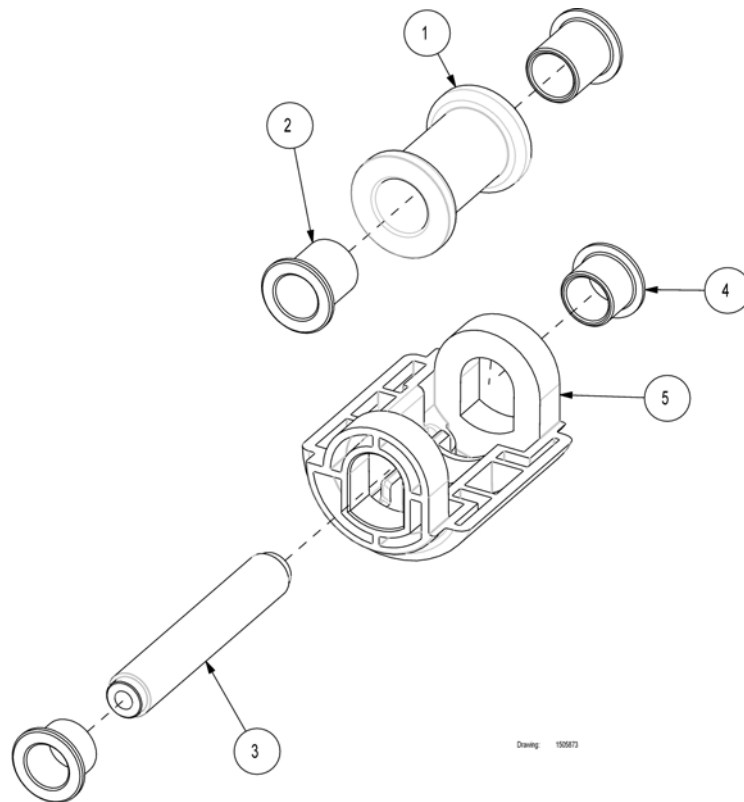


1	1443839-0002	BRAKETT NØDSENKROBIN	1
2	1444065-7012	BRYTERFESTE NØDSENKROBIN	1
3	1444067	NØKKELRING NØDSENKROBIN	1
4	1444073	FESTE NØDSENKROBIN	1
5	1446449	(Tape, red, 9 mm)	1
6	1449387	NØDSENKBRYTER ROBINMOTOR ROB	1
7	1450515	SPÅRSTIFTØ3X14 SVART DINROBIN	1

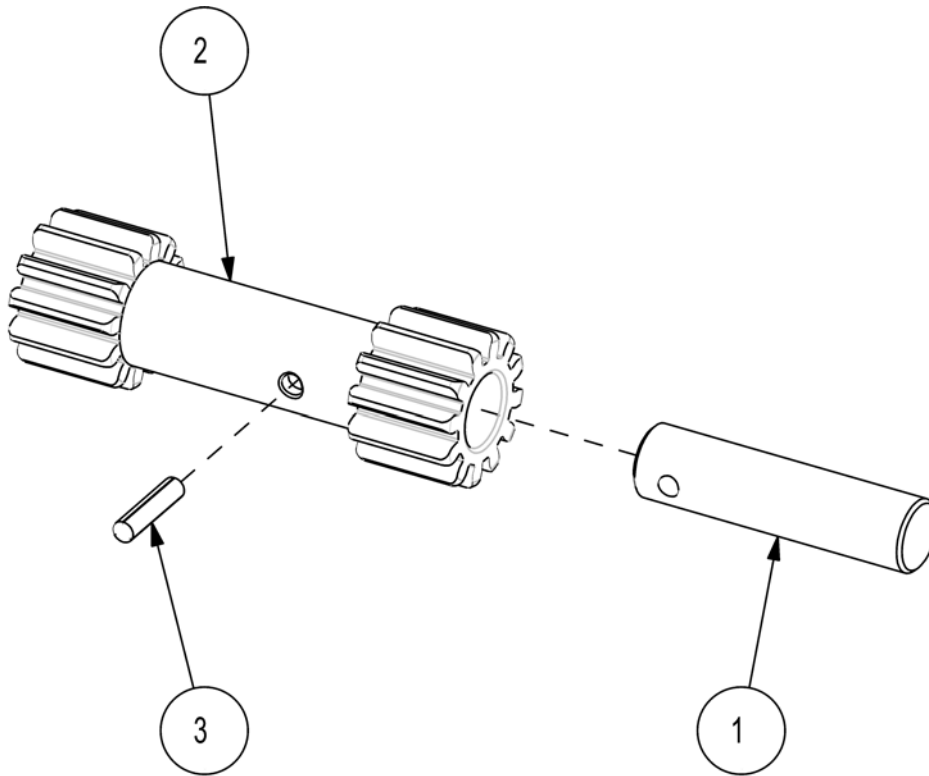


1	802728	MUTTER TIL MONT AVSENG I KÅGÅRDRAMME BEST	1
2	803033	SKRUE INV 6KANT CH M6X16	1
3	803803	(Rivet Ø3,2x7)	1
4	803992	LÅSEMUTTER M6RILLER	1
5	804213	SKIVE TIL MONT AVSENG I KÅGÅRDRAMME BEST	1
6	821245	(Screw M3x12 ISO 7045 Torx Taptite)	1
7	1441378	(Bearing bushing Ø10)	1
8	1443836	(Battery chassis plate)	1
9	1444078	(Spring for end stop switch 0,5x4 mm)	1
10	1446444	(Angled bracket for Robin)	1
11	1449389	(Screw M3x16 ISO 7045 Torx Taptite)	1
12	1449471	(Distance bushing Ø5,3xØ3,1x3)	1
13	1449712	(Microswitch for strap sensor)	1
14	1449713	(Microswitch for strap sensor)	1

Invacare® Robin | Motor komplett
(Strap inlet for Robin)



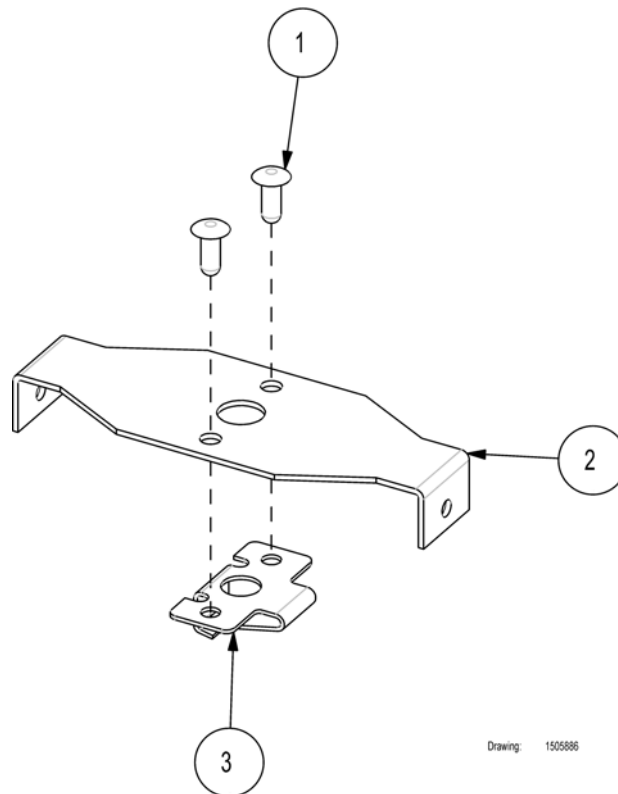
1	1435309	BÅNDRULLE ROBINHUSK 2 STK	1
2	1441351	LAGER TIL BÅNDRULLEROBIN HUSK 4 STK	1
3	1441382	AKSEL BÅNDRULLE ROBINHUSK 2 STK	1
4	1443988	(Sleeve bushing, bronze Ø12/15 x 12-18x1,5)	1
5	1444059	ENDESTOPP LØFTEBÅNDROBIN	1



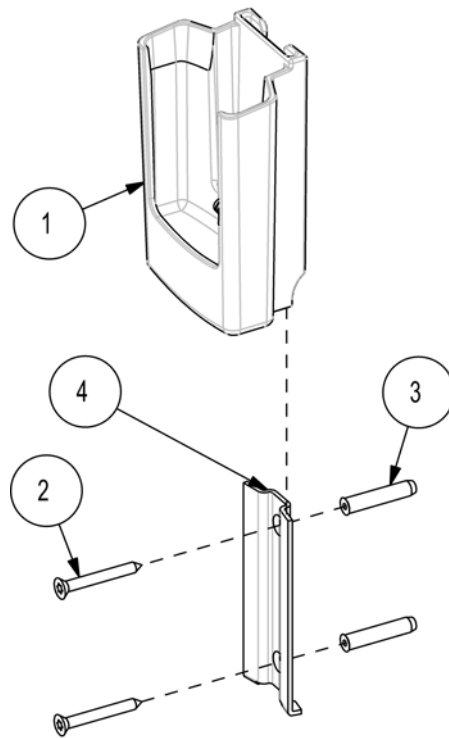
Drawing: 1505874

1	1441379	(End axle Ø10)	1
2	1443813	(Gearwheel Z=12, steel)	1
3	1450515	SPÅRSTIFT Ø3X14 SVART DINROBIN	1

(Bridge for Panex retainers, Robin)



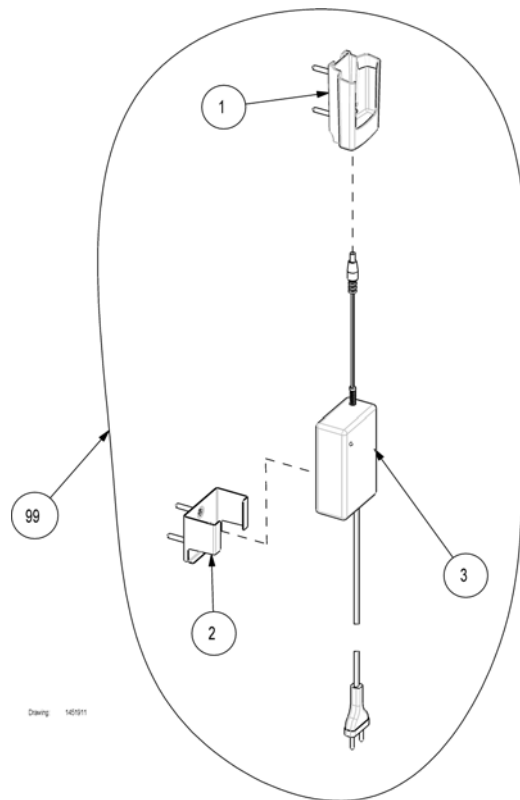
1	803803	(Rivet Ø3,2x7)	1
2	1444080	(Bracket for Panex boss)	1
3	1446432	(Panex Ø4 mm receptacles)	1



Drawing: 1450290

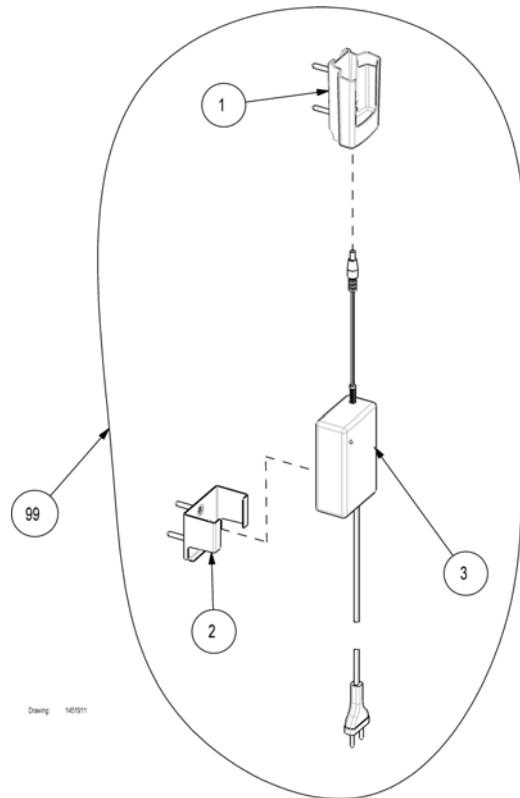
1	1443973-7035	HOLDER BETJENINGSBOKSVEGGMONTERT ROBIN	1
1	1443973-7035	HOLDER BETJENINGSBOKSVEGGMONTERT ROBIN	1
2	1446249	SKRUE Ø3 5x30ROBIN	1
3	1446250	PLUGG UNIVERSALROBIN	1
4	1446316-0002	VEGGBESLAG LADERHOLDERROBIN	1
2	1446249	SKRUE Ø3 5x30ROBIN	1
3	1446250	PLUGG UNIVERSALROBIN	1
4	1446316-0002	VEGGBESLAG LADERHOLDERROBIN	1
1	1443973-7035	HOLDER BETJENINGSBOKSVEGGMONTERT ROBIN	1
2	1446249	SKRUE Ø3 5x30ROBIN	1
3	1446250	PLUGG UNIVERSALROBIN	1
4	1446316-0002	VEGGBESLAG LADERHOLDERROBIN	1

Invacare® Robin | Elektriske deler
(Charger kit, complete)



(Charger set, EU plug)
(Charger set, UK plug)

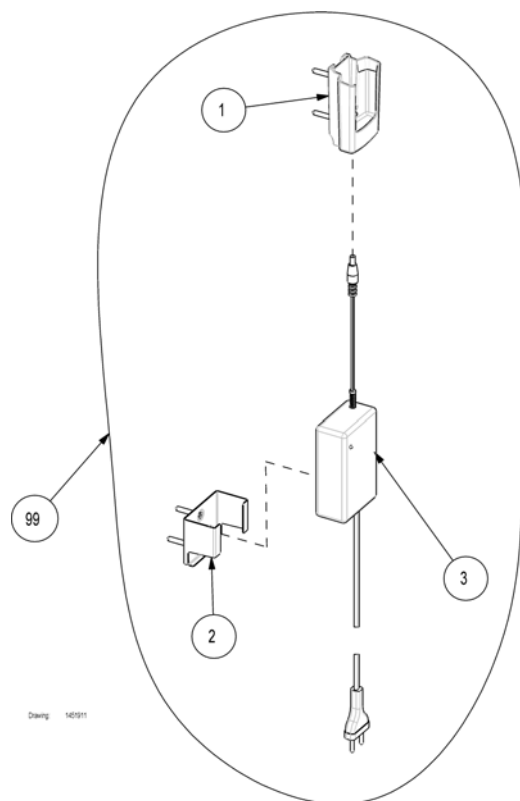
1
1



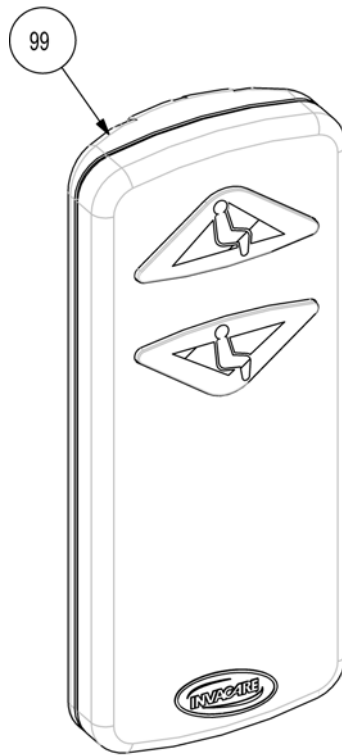
Drawing: 1451911

1		(Holder and wall bracket)	1
2	1485474-7035	VEGGBESLAG MASCOT LADERROBIN GRÅ	1
3	1486637-7035	LADER ROBIN 0,1/1M LEDKUN LADER !!!	1
3	1486638-7035	LADER ROBIN 0,1/2M LEDKUN LADER !!	1
3	1486639-7035	LADER ROBIN 0,1/3M LEDKUN LADER !!	1
3	1486640-7035	LADER ROBIN 1,2/1M LEDKUN LADER !!	1
3	1486641-7035	LADER ROBIN 1,2/2M LEDKUN LADER !!	1
3	1486642-7035	LADER ROBIN 1,2/3M LEDKUN LADER !!	1
99	1451909-7035	LADER ROBIN 0,1/1M LEDKOMPL M HOLDER OG BESLAG	1
99	1451910-7035	LADER ROBIN 0,1/2M LEDKOMPL M HOLDER OG BESLAG	1
99	1451911-7035	LADER ROBIN 0,1/3M LEDKOMPL M HOLDER OG BESLAG	1
99	1451912-7035	LADER ROBIN 1,2/1M LEDKOMPL M HOLDER OG BESLAG	1
99	1451913-7035	LADER ROBIN 1,2/2M LEDKOMPL M HOLDER OG BESLAG	1
99	1451914-7035	LADER ROBIN 1,2/3M LEDKOMPL M HOLDER OG BESLAG	1

(Charger set, UK plug)

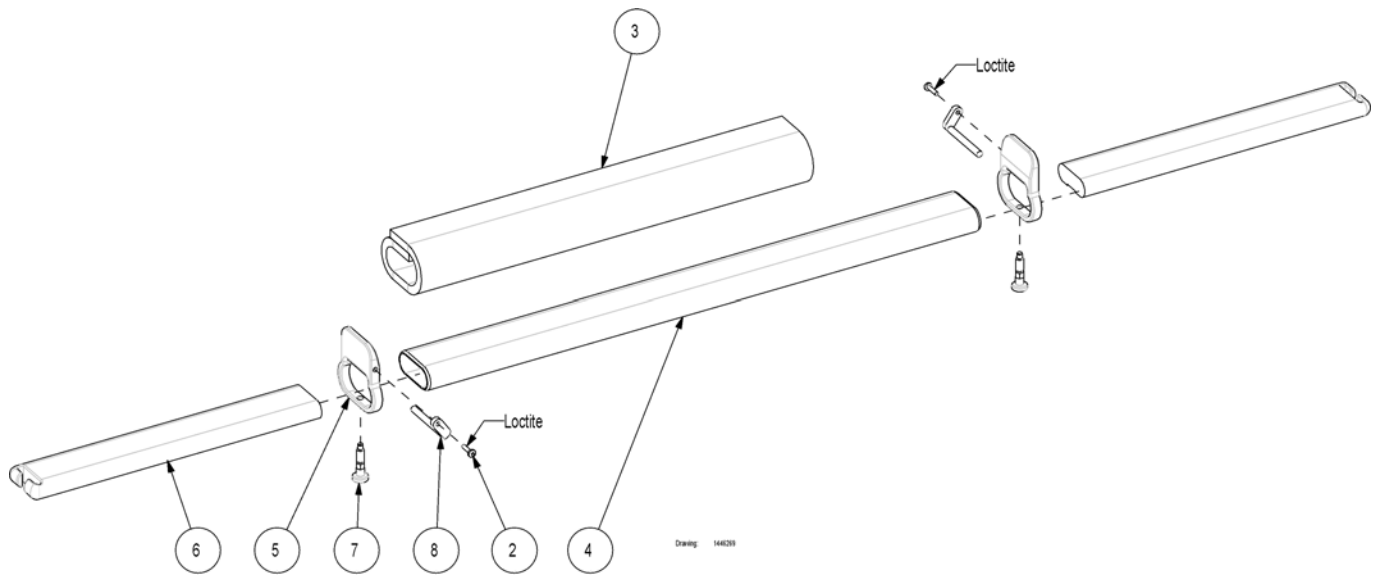


1	(Holder and wall bracket)	1
2	1485474-7035 VEGGBESLAG MASCOT LADERROBIN GRÅ	1
3	1493404-7035 (Part not for sale)	1
3	1493429-7035 (Charger 24V, UK plug, 0,1/2m. RAL 7035)	1
3	1493430-7035 (Charger 24V, UK plug, 0,1/3m. RAL 7035)	1
3	1493432-7035 (Charger 24V, UK plug, 1,2/1m. RAL 7035)	1
3	1493433-7035 (Charger 24V, UK plug, 1,2/2m. RAL 7035)	1
3	1493434-7035 (Charger 24V, UK plug, 1,2/3m. RAL 7035)	1
99	1493446-7035 (Charger set, UK plug, 0,1/1m. with holder and bracket)	1
99	1493454-7035 (Charger set, UK plug, 0,1/2m. with holder and bracket)	1
99	1493455-7035 (Charger set, UK plug, 0,1/3m. with holder and bracket)	1
99	1493456-7035 (Charger set, UK plug, 1,2/1m. with holder and bracket)	1
99	1493457-7035 (Charger set, UK plug, 1,2/2m. with holder and bracket)	1
99	1493471-7035 (Charger set, UK plug, 1,2/3m. with holder and bracket)	1

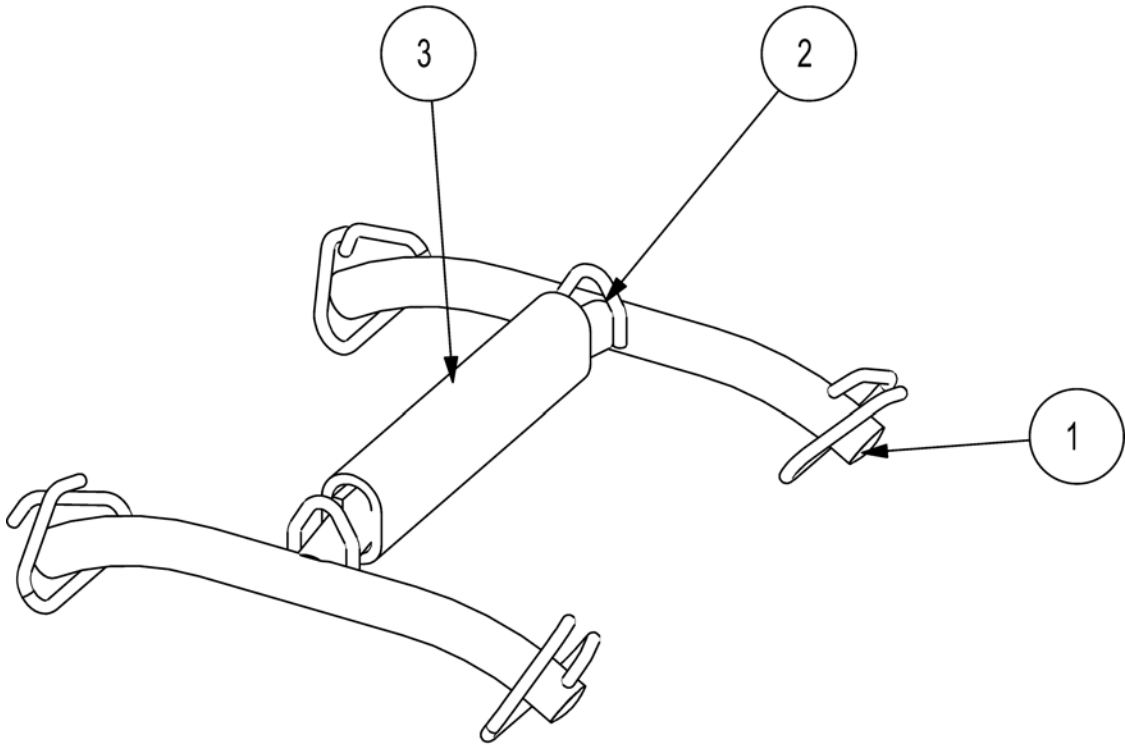


Drawing: 1446387

(Flexiscope, adjustable spreader bar, Robin)

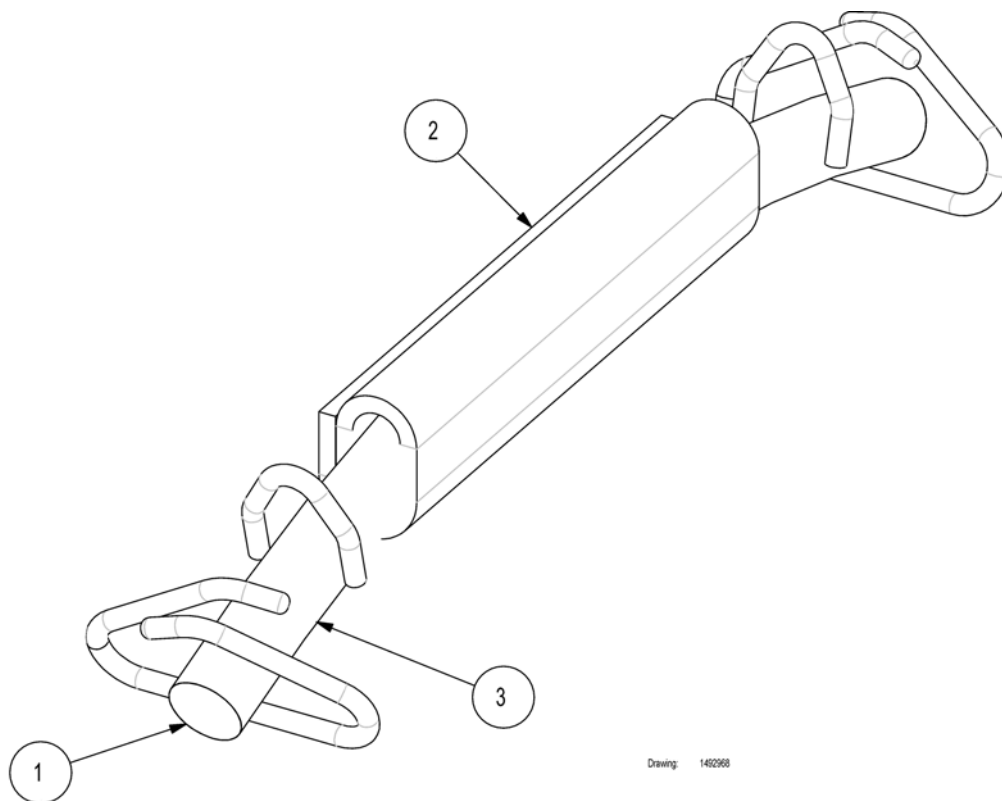


2	1451891	(Screw M3x12 ISO 7045 Torx A4)	1
3	1451892	(Cover with foam for spreader bar, black)	1
4	1484992-7012	(Main tube, Flexiscope, RAL 7012)	1
5	1484993-7012	(Stop plate, Flexiscope, RAL 7012)	1
6	1484994-0004	(Adjustable bar, Flexiscope, black)	1
7	1485085	(Positioning button, Flexiscope)	1
8	1485086-7012	(Arresting arm, Flexiscope, RAL 7042)	1



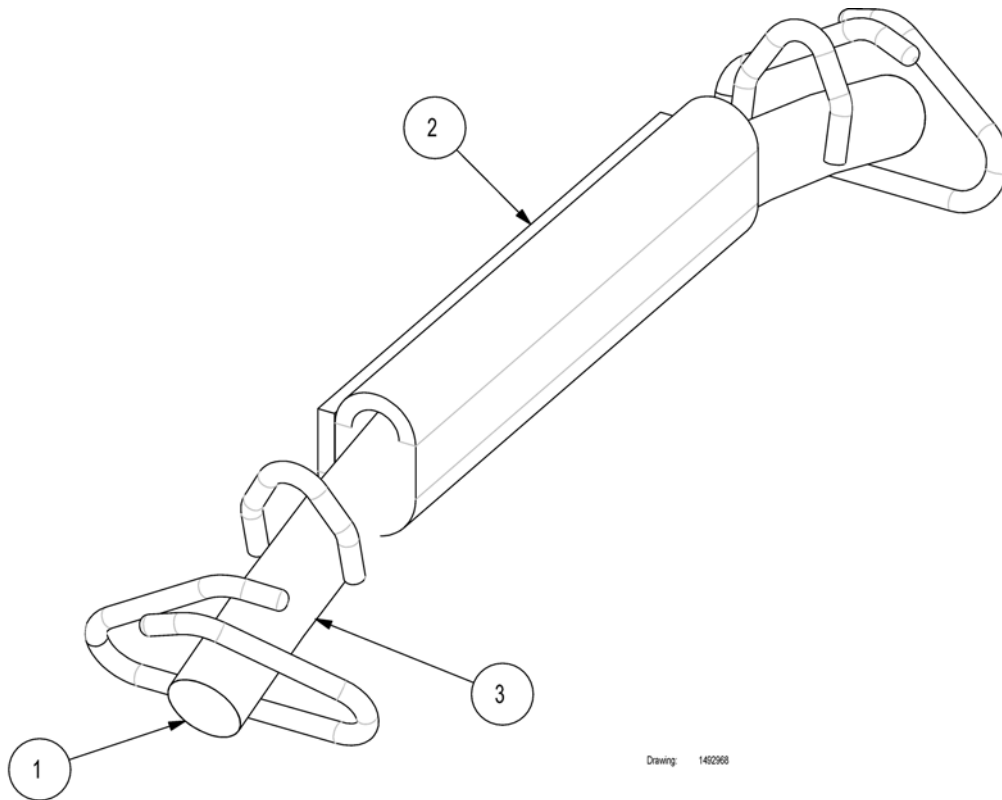
Drawing: 1451870

(2 point spreader bar 350 mm)



1	1492967-7012	(2 point spreader bar 350 mm)	1
1	1443855-9005	(Ferrule, inner Ø30x3x3,5 RAL 9005)	1
2	1493043	(Cover with foam, black)	1
3	1493044-7012	(Welded spreaderbar tube, RAL 7012)	1

Invacare® Robin | Løftebøyle
(2 point spreader bar 450 mm)



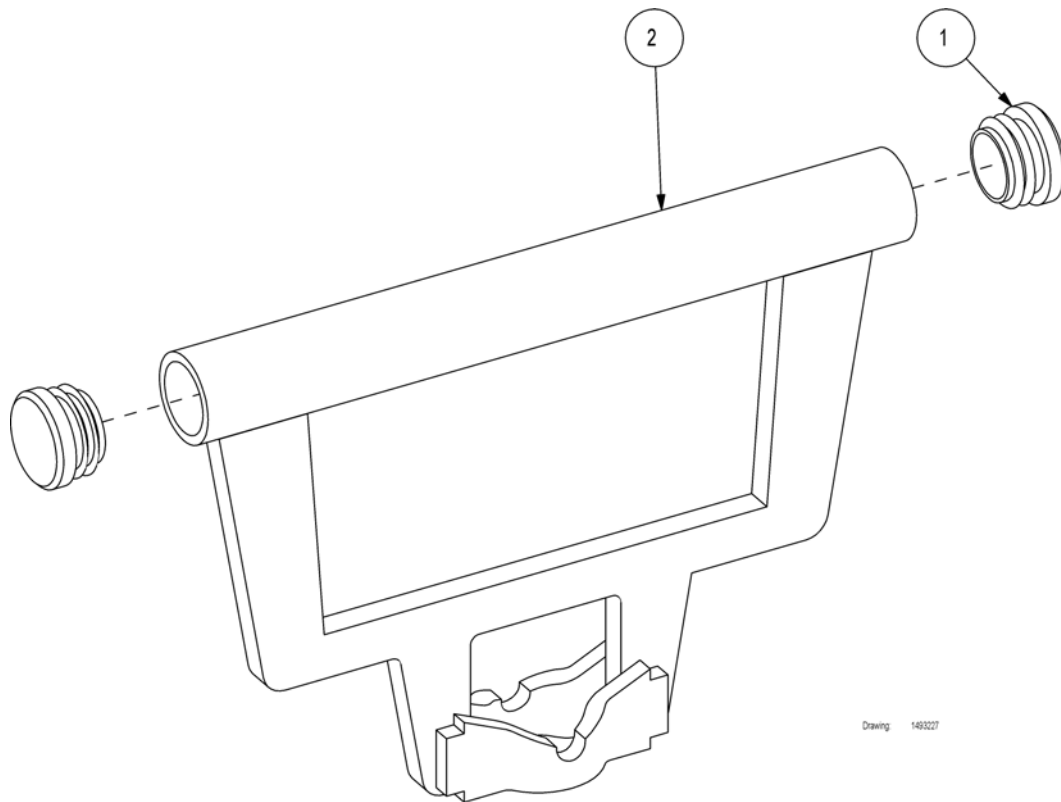
Drawing: 1492968

1492968-7012

LØFTEBØYLE 2 PKT 45 CMROBIN LØFTER

1

(Transport handle Robin)



Drawing 1493227

1	1451148-7035	(Plug Ø20, control unit Dewert, RAL 7035)	2
2	1493228-7012	TRANSPORTHÅNDTAK ROBINROBIN LØFTER	1



Yes, you can.®



Belgium & Luxemburg:

Invacare nv, Autobaan 22, B-8210 Loppem
Tel: (32) (0)50 83 10 10, Fax: (32) (0)50 83 10 11
belgium@invacare.com / www.invacare.be

Denmark:

Invacare A/S, Sdr. Ringvej 37, DK-2605 Brøndby
Tel: (45) (0)36 90 00 00, Fax: (45) (0)36 90 00 01
denmark@invacare.com / www.invacare.dk

Deutschland:

Invacare Aquatec GmbH, Alemannenstraße 10, D-88316 Isny
Tel: (49) (0)75 62 7 00 0, Fax: (49) (0)75 62 7 00 66
info@invacare-aquatec.com / www.invacare-aquatec.de

European Distributor Organisation:

Invacare, Kleiststraße 49, D-32457 Porta Westfalica
Tel: (49) (0)57 31 754 540, Fax: (49) (0)57 31 754 541
edo@invacare.com / www.invacare.eu.com

España:

Invacare SA, c/Areny s/n, Polígon Industrial de Celrà, E-17460 Celrà (Girona)
Tel: (34) (0)972 49 32 00, Fax: (34) (0)972 49 32 20
contactsp@invacare.com / www.invacare.es

France:

Invacare Poirier SAS, Route de St Roch, F-37230 Fondettes
Tel: (33) (0)2 47 62 64 66, Fax: (33) (0)2 47 42 12 24
contactfr@invacare.com / www.invacare.fr

Ireland:

Invacare Ireland Ltd, Unit 5 Seatown Business Campus, Seatown Road, Swords, County Dublin - Ireland
Tel: (353) 1 810 7084, Fax: (353) 1 810 7085
ireland@invacare.com / www.invacare.ie

Italia:

Invacare Mecc San s.r.l., Via dei Pini 62, I-36016 Thiene (VI)
Tel: (39) 0445 38 00 59, Fax: (39) 0445 38 00 34
italia@invacare.com / www.invacare.it

Nederland:

Invacare BV, Celsiusstraat 46, NL-6716 BZ Ede
Tel: (31) (0)318 695 757, Fax: (31) (0)318 695 758
nederland@invacare.com, csede@invacare.com / www.invacare.nl

Norge:

Invacare AS, Grensesvingen 9, Postboks 6230, Etterstad, N-0603 Oslo
Tel: (47) (0)22 57 95 00, Fax: (47) (0)22 57 95 01
norway@invacare.com, island@invacare.com / www.invacare.no

Österreich:

Invacare Austria GmbH, Herzog Odilostrasse 101, A-5310 Mondsee
Tel: (43) 6232 5535 0, Fax: (43) 6232 5535 4
info-austria@invacare.com / www.invacare.at

Portugal:

Invacare Lda, Rua Estrada Velha, 949, P-4465-784 Leça do Balio
Tel: (351) (0)225 1059 46/47, Fax: (351) (0)225 1057 39
portugal@invacare.com / www.invacare.pt

Sverige & Suomi:

Invacare AB, Fagerstagatan 9, S-163 91 Spånga
Tel: (46) (0)8 761 70 90, Fax: (46) (0)8 761 81 08
sweden@invacare.com, finland@invacare.com / www.invacare.se

Switzerland:

Invacare AG, Benkenstrasse 260, CH-4108 Witterswil
Tel: (41) (0)61 487 70 80, Fax: (41) (0)61 487 70 81
switzerland@invacare.com / www.invacare.ch

United Kingdom:

Invacare Limited, Pencoed Technology Park, Pencoed, Bridgend CF35 5AQ
Switchboard Tel: (44) (0)1656 776200, Fax: (44) (0)1656 776201
Customer services Tel: (44) (0)1656 776222, Fax: (44) (0)1656 776220
uk@invacare.com / www.invacare.co.uk