

Spare Parts Catalogue

Version: 2014/03/17a NO



Invacare® SOLO₂®



Yes, you can.®

General Information

For any order of spare parts the following information is required:

- Product type*
- Product name & model*
- Serial Number*
- Part-Number*
- Part-Description*

Exploded view drawings and code numbers are not contractual and subject to modification, in relation to Invacare® continuous product improvement policy to meet end users needs.

The reproduction or use of this work, or of any substantial part of this work, in any form or by any electronic, mechanical or other means, including photocopying, scanning and recording, and in any information storage and retrieval system, including electronic transmission, is forbidden without the prior written permission of Invacare® International Sarl.



Yes, you can.®

TABLE OF CONTENTS

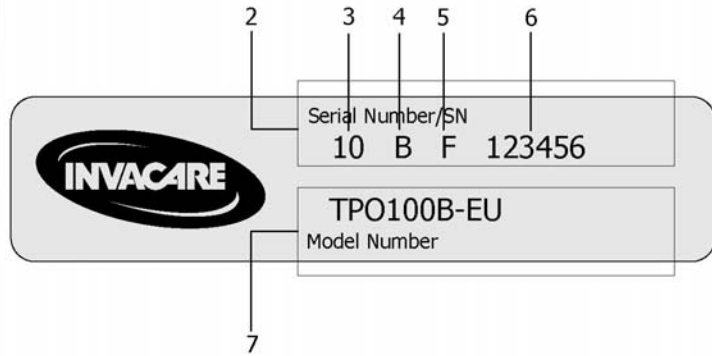
| | |
|----------------------------------|---|
| Serienr. klistremerke | 5 |
| Brukermanual og emballasje | 6 |
| SOLO2 Reservedeler | 7 |
| Tilbehør | 9 |

Serienr. klistremerke

1541191X.no



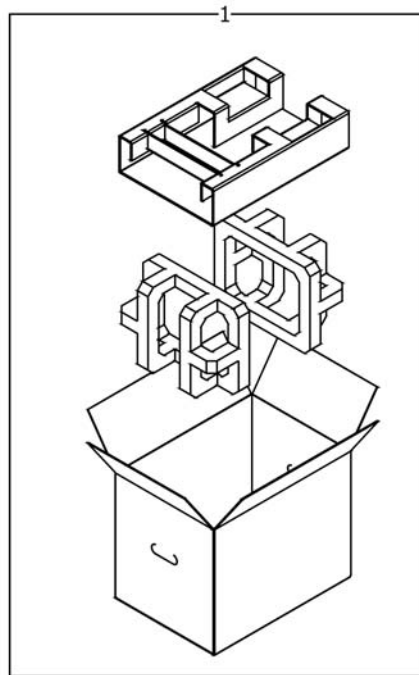
1



| | | | |
|---|---|---|---|
| 1 | - | (Location of the Serial/Model Number Sticker) | 1 |
| 2 | - | (Serial number) | 1 |
| 3 | - | (Manufacturing Year) | 1 |
| 4 | - | (Manufacturing Month (A=Jan, B=Feb L=Dec)) | 1 |
| 5 | - | (Manufacturing Location (F=Florida, SZ=Suzhou)) | 1 |
| 6 | - | (Sequential number) | 1 |
| 7 | - | (Model Number) | 1 |

Brukermanual og emballasje

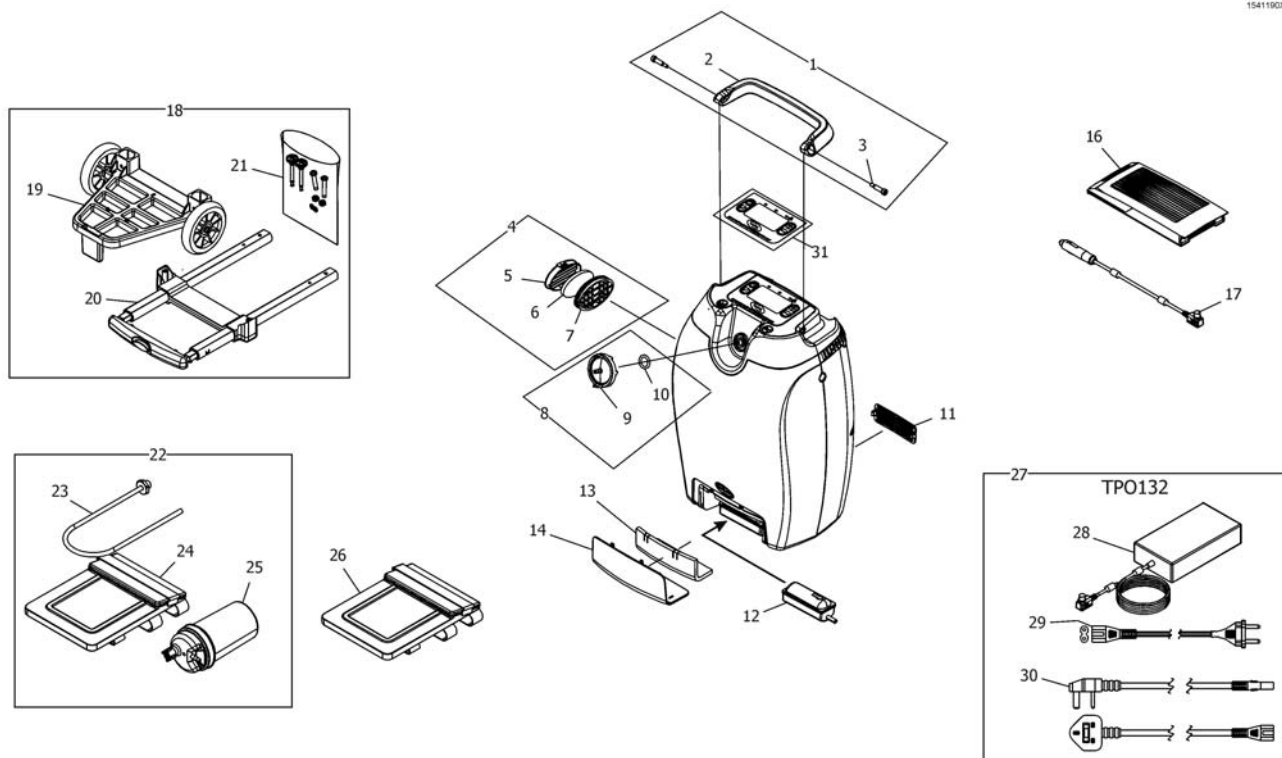
1541192X.000



| | | |
|-----------|---|---|
| 1163190 | (SOLO2 Owners Manual) <i>Includes EN, IT, NL, FR, DE & ES.</i> | 1 |
| 1 1163886 | (Carton Assembly) <i>Carton, Foam inserts and Carton tray.</i> | 1 |

SOLO2 Reservedeler

1541190X.no



| | | | |
|----|----------------|---|---|
| 1 | 1164371 | (Kit, Handle with Hardware) <i>Includes 2 & 3.</i> | 1 |
| 4 | 1156861 | INLET VENT ASSEMBLY <i>Includes 5, 6 & 7.</i> | 1 |
| 6 | 1165095 | FILTER KABINETT SOLO2 10 STK | 1 |
| 8 | 1164372 | FILTER BAKTERIE SOLO2 <i>Includes 9 & 10.</i> | 1 |
| 8 | 1182068 | FIRE BREAK KIT SOLO 2 | 1 |
| 11 | 1156867 | (Vent, Exhaust) | 1 |
| 12 | 1157083 | FILTER INNTAK SOLO2 | 1 |
| 13 | 1156844 | (Foam Insert, Inlet Filter Compressor Door) | 1 |
| 14 | 1156856 | (Door, Inlet Filter Compressor) | 1 |
| 16 | 1533371-TPO110 | BATTERI KONSENTRATOR SOLO2 | 1 |
| 17 | 1533371-TPO140 | STRØMADAPTER 12V SOLO II | 1 |
| 18 | 1533371-TPO120 | TRILLEVOGN SOLO2 <i>Includes 19, 20 & 21.</i> | 1 |
| 21 | 1157046 | SKRUESETT TIL TRALLE SOLO2 <i>Includes 2 each; Retaining washers, Thumb screws, Philips Head screws and lock nuts.</i> | 1 |
| 22 | 1533371-TPO170 | FUKTEFLASKE OKSYGEN <i>Includes 23, 24 & 25.</i> | 1 |
| 23 | 1165381 | (Adapter, Humidifier Bottle) | 1 |
| 26 | 1533371-TPO160 | BAG TILBEHØR OKSYGENE | 1 |
| 27 | 1533371-TPO132 | AC ADAPTER SOLO2 <i>Includes 28, 29 & 30.</i> | 1 |
| 29 | 1152805 | (Cord,Line,2P, Europe) | 1 |
| 30 | 1160791 | (Cord,Line,2P, United Kingdom) | 1 |
| | 1165085 | (Kit, Labels, Product Overlay) <i>Includes IT, NL, FR, DE, ES, NO, SE, DK, PT & GR</i> | 1 |
| | 1165086 | (Kit, Labels, Battery Overlay) <i>Includes IT, NL, FR, DE, ES, NO, SE, DK, PT & GR</i> | 1 |
| | 1164926 | (Kit, Labels, Top Overlay) <i>Includes IT, NL, FR, DE, ES, NO, SE, DK, PT & GR</i> | 1 |
| | 1551710 | FILTER KIT SOLO2 SOLO2 <i>Includes Foam filter, Compressor filter & Patient outlet filter</i> | 1 |

SOLO2 Reservedeler

31 1179328

LABEL KIT CONTROL PANEL SOLO2

1



| | | | |
|----|----------------|--|---|
| 1 | M3210 | OKSYGENMASKE | 1 |
| 2 | 1498231 | (Cannula, Adult (Salter 1056) for HomeFill 2) | 1 |
| 2 | 1509581 | KANYLE HIGH FLOW VOKSEN | 1 |
| 2 | 1524235 | NESEKATETER HIGH FLOW 1,2M | 1 |
| 2 | 1524236 | NESEKATETER VOKSEN 2,1 HIGH FLOW PLAT 9 | 1 |
| 2 | M3110 | NESEKATETER VOKSEN QUIET 8 M LEDNING | 1 |
| 2 | M3115 | NESEKATETER VOKSEN MICRO 2,1 M | 1 |
| 2 | M3117 | NESEKATETER VOKSEN MICRO 2,1 M LEDNING | 1 |
| 2 | M3120 | NESEKATETER VOKSEN 2,1 M | 1 |
| 2 | M3121 | NESEKATETER BARN | 1 |
| 2 | M3122 | NESEKATETER SPEBARN | 1 |
| 3 | 1513831 | SLANGE STRATOS PRO 2,1 M | 1 |
| 3 | M4150 | SLANGE 4,5M KONSENTRATOR | 1 |
| 3 | M4250 | SLANGE 7,6M KONSENTRATOR | 1 |
| 7 | M4650 | SLANGE KOBLING OKSYGEN | 1 |
| 8 | M1523 | KONDENSERINGSRØR OKSYGEN | 1 |
| 9 | M1220 | SKJØTESTYKKE ROTERENDE OKSYGEN HAN-HAN | 1 |
| 10 | M1225 | SKJØTESTYKKE ROTERENDE OKSYGEN HAN-HUN | 1 |
| 11 | M1221 | SKJØTESTYKKE ROTERENDE OKSYGEN HAN-HAN UNIVERSA | 1 |
| 12 | M1222 | SKJØTESTYKKE ROTERENDE OKSYGEN HAN-HAN SART CLI | 1 |
| 13 | M1521 | HOLDER FOR FUKTFLASKE OKSYGEN | 1 |
| 14 | 1509582 | (High-Flow Humidifier w/ 6PSI Pressure Relief Val) | 1 |
| 15 | 1533371-TPO160 | BAG TILBEHØR OKSYGENE | 1 |
| 16 | 1533371-TPO170 | FUKTEFLASKE OKSYGEN | 1 |



Yes, you can.®



Belgium & Luxemburg:

Invacare nv, Autobaan 22, B-8210 Loppem
Tel: (32) (0)50 83 10 10, Fax: (32) (0)50 83 10 11
belgium@invacare.com / www.invacare.be

Denmark:

Invacare A/S, Sdr. Ringvej 37, DK-2605 Brøndby
Tel: (45) (0)36 90 00 00, Fax: (45) (0)36 90 00 01
denmark@invacare.com / www.invacare.dk

Deutschland:

Invacare Aquatec GmbH, Alemannenstraße 10, D-88316 Isny
Tel: (49) (0)75 62 7 00 0, Fax: (49) (0)75 62 7 00 66
info@invacare-aquatec.com / www.invacare-aquatec.de

European Distributor Organisation:

Invacare, Kleiststraße 49, D-32457 Porta Westfalica
Tel: (49) (0)57 31 754 540, Fax: (49) (0)57 31 754 541
edo@invacare.com / www.invacare.eu.com

España:

Invacare SA, c/Areny s/n, Polígon Industrial de Celrà, E-17460 Celrà (Girona)
Tel: (34) (0)972 49 32 00, Fax: (34) (0)972 49 32 20
contactsp@invacare.com / www.invacare.es

France:

Invacare Poirier SAS, Route de St Roch, F-37230 Fondettes
Tel: (33) (0)2 47 62 64 66, Fax: (33) (0)2 47 42 12 24
contactfr@invacare.com / www.invacare.fr

Ireland:

Invacare Ireland Ltd, Unit 5 Seatown Business Campus, Seatown Road, Swords, County Dublin - Ireland
Tel: (353) 1 810 7084, Fax: (353) 1 810 7085
ireland@invacare.com / www.invacare.ie

Italia:

Invacare Mecc San s.r.l., Via dei Pini 62, I-36016 Thiene (VI)
Tel: (39) 0445 38 00 59, Fax: (39) 0445 38 00 34
italia@invacare.com / www.invacare.it

Nederland:

Invacare BV, Celsiusstraat 46, NL-6716 BZ Ede
Tel: (31) (0)318 695 757, Fax: (31) (0)318 695 758
nederland@invacare.com, csede@invacare.com / www.invacare.nl

Norge:

Invacare AS, Grensesvingen 9, Postboks 6230, Etterstad, N-0603 Oslo
Tel: (47) (0)22 57 95 00, Fax: (47) (0)22 57 95 01
norway@invacare.com, island@invacare.com / www.invacare.no

Österreich:

Invacare Austria GmbH, Herzog Odilostrasse 101, A-5310 Mondsee
Tel: (43) 6232 5535 0, Fax: (43) 6232 5535 4
info-austria@invacare.com / www.invacare.at

Portugal:

Invacare Lda, Rua Estrada Velha, 949, P-4465-784 Leça do Balio
Tel: (351) (0)225 1059 46/47, Fax: (351) (0)225 1057 39
portugal@invacare.com / www.invacare.pt

Sverige & Suomi:

Invacare AB, Fagerstagatan 9, S-163 91 Spånga
Tel: (46) (0)8 761 70 90, Fax: (46) (0)8 761 81 08
sweden@invacare.com, finland@invacare.com / www.invacare.se

Switzerland:

Invacare AG, Benkenstrasse 260, CH-4108 Witterswil
Tel: (41) (0)61 487 70 80, Fax: (41) (0)61 487 70 81
switzerland@invacare.com / www.invacare.ch

United Kingdom:

Invacare Limited, Pencoed Technology Park, Pencoed, Bridgend CF35 5AQ
Switchboard Tel: (44) (0)1656 776200, Fax: (44) (0)1656 776201
Customer services Tel: (44) (0)1656 776222, Fax: (44) (0)1656 776220
uk@invacare.com / www.invacare.co.uk