

Spare Parts Catalogue

Version: 2011/06/07b NO

Aquatec® Orca





Yes, you can.®

General Information

For any order of spare parts the following information is required:

- Product type*
- Product name & model*
- Serial Number*
- Part-Number*
- Part-Description*

Exploded view drawings and code numbers are not contractual and subject to modification, in relation to Invacare® continuous product improvement policy to meet end users needs.

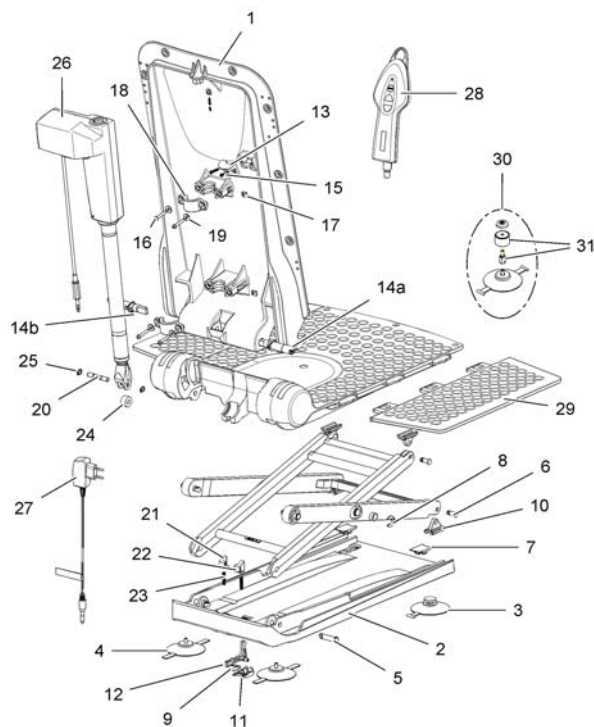
The reproduction or use of this work, or of any substantial part of this work, in any form or by any electronic, mechanical or other means, including photocopying, scanning and recording, and in any information storage and retrieval system, including electronic transmission, is forbidden without the prior written permission of Invacare® International Sarl.



Yes, you can.®

TABLE OF CONTENTS

Reservedeler	5
Tilbehør	7



	16451	(Instruction manual Aquatec Orca, Orca F, Orca XL, german)	1
	1470706	(Instruction manual Aquatec Orca, Orca F, Orca XL, 8 languages)	1
	1471017	(Refresh kit Aquatec Orca - cover set, white)	1
	15298	(Conversion kit height adapters Aquatec Fortuna / Beluga / Elan / Orca / Orca F / Orca XL)	1
	16606	DEKKMATTE SETE ORCA HVIT M KLIPS	1
	1470765	(Seat cover Aquatec Orca, blue) <i>In Deutschland nicht erhältlich - Not available in Germany</i>	1
	16604	DEKKMATTE RYGG ORCA HVIT M KLIPS	1
	1470766	(Backrest cover Aquatec Orca, blue) <i>In Deutschland nicht erhältlich - Not available in Germany</i>	2
	1470576	RYGGTREKK HVIT ORCA	1
	1470767	DEKKMATTE RYGG OG SETE ORCA KPL BLÅ <i>In Deutschland nicht erhältlich - Not available in Germany</i>	1
3	15072	SUGEKOPPER MED UTLØS PAR BELUGA/ELAN/FORTUNA/ORCA	1
4	15071	SUGEKOPPER PAR BELUGA/ ELAN/FORTUNA/ ORCA	1
3+4	15353	(Suction cups for all battery driven bathlifts)	1
	16240AQT	(Suction cup 130 mm, grey Aquatec for all battery driven)	1
	1471050	(seat Aquatec Orca without cover and suction cups)	1
5	16679	(Bolt d10, Aquatec Orca, Orca F)	1
2	16441	(Base plate Orca)	1
6	15105	(Bolt for gliding shoe Aquatec Beluga / Elan / Elan 550 / Orca / Orca F / Orca XL)	1
7	15121	LÅS FOR SUGEKOPP RØD BELUGA/ELAN/FORTUNA/ORCA	1
8	15344	(Thrust washer for scissors Aquatec Beluga / Elan / Orca / Orca F / Orca XL)	1
9	15415	(Flat spring Aquatec Beluga / Orca / Orca F / Orca XL)	1
10	16446	(Gliding shoe Aquatec Orca / Orca F / Orca XL)	1
11	16448	(Bushing latch Aquatec Orca / Orca F / Orca XL)	1
12	16449	(Latch Aquatec Orca / Orca F / Orca XL)	1
13	16455	KONTAKTHOLDER ORCA	1
14a	1470579	(Bolt right Aquatec Orca / Orca XL)	1
14b	1470580	(Bolt left Aquatec Orca / Orca XL)	1

Reservedeler

15	15348	(Screws phone jack, 40x22 Aquatec Orca, Orca F, Orca XL)	1
16	16781	(Lens head screw M5 x 30 Aquatec Orca / Orca F / Orca XL)	1
17	16779	(Nut for actuator fastening Aquatec Orca / Orca F / Orca XL)	1
18	16778	FESTE FOR AKTUATOR ORCA ORCA F OG ORCA XL	1
19	16780	(Washer A2 DIN 9021 Aquatec Orca)	1
20	16793	(Axle Aquatec Orca / Orca F / Orca XL)	1
21	16791	(Locking left Aquatec Orca / Orca XL)	1
22	16792	(Locking right Aquatec Orca / Orca XL)	1
23	16794	(Pressure spring for locking Aquatec Orca / Orca XL)	1
24	16450	(Pulley Aquatec Orca / Orca XL)	1
25	16456	(Retaining ring Aquatec Orca / Orca F / Orca XL)	1
26	16782	(Actuator Aquatec Orca)	1
27	1471084	LADER ORCA BADEHEIS ORCA 2008->	1
28	1470902	HÅNDKONTROLL M BATTERI KOMPLETT ORCA	1
29	15892	SIDEVINGE M FESTER BELUGA BADEHEIS	1
30	15170	ADAPTER FOR HØYDEJUST 2 CM 4 STK.BADELØFTER	1
31	14694	ADAPTER HØYDEJUST. 2 CM SETT A4 FORTUNA/ELAN/BEL <i>4 cm = 1 x 14694, 6 cm = 2 x 14694</i>	1
1	16440	(Backrest frame for Aquatec Orca / Orca F / Orca XL)	1
	16804	(lifting scissors Aquatec Orca)	1



1	1471623	RYGG SPESIAL M VINGER HVIT ORCA	1
2	15461	HODESTØTTE JUSTERBAR HVI AQUATEC FORTUNA	1
3	1471606	(Special sideflap, incl. 3 clips (per sideflap), for Aquatec Orca, Orca F)	1
4	1471209	(Chest belt for Aquatec Orca / Orca XL)	1
4	1471210	BEKKENBELTE BELUGA OG ORCA	1
5	1525932	(Pommel for Aquatec bathlifters - 7 cm) <i>Replaces 14894</i>	1
5	1525933	ABDUKSJONSKLOSS 12CM MAJOR BLÅ <i>Replaces 14900</i>	1
6	15170	ADAPTER FOR HØYDEJUST 2 CM 4 STK.BADELØFTER	1
6	14694	ADAPTER HØYDEJUST. 2 CM SETT A4 FORTUNA/ELAN/BEL	1
7	15309	SIDEPLATEAVVISER AQUATEC	1
8	14586AQT	BAG FOR TRANSPORT FORTUN OG ELAN -minor	1



Yes, you can.®



Belgium & Luxemburg:

Invacare nv, Autobaan 22, B-8210 Loppem
Tel: (32) (0)50 83 10 10, Fax: (32) (0)50 83 10 11
belgium@invacare.com / www.invacare.be

Denmark:

Invacare A/S, Sdr. Ringvej 37, DK-2605 Brøndby
Tel: (45) (0)36 90 00 00, Fax: (45) (0)36 90 00 01
denmark@invacare.com / www.invacare.dk

Deutschland:

Invacare Aquatec GmbH, Alemannenstraße 10, D-88316 Isny
Tel: (49) (0)75 62 7 00 0, Fax: (49) (0)75 62 7 00 66
info@invacare-aquatec.com / www.invacare-aquatec.de

European Distributor Organisation:

Invacare, Kleiststraße 49, D-32457 Porta Westfalica
Tel: (49) (0)57 31 754 540, Fax: (49) (0)57 31 754 541
edo@invacare.com / www.invacare.eu.com

España:

Invacare SA, c/Areny s/n, Polígon Industrial de Celrà, E-17460 Celrà (Girona)
Tel: (34) (0)972 49 32 00, Fax: (34) (0)972 49 32 20
contactsp@invacare.com / www.invacare.es

France:

Invacare Poirier SAS, Route de St Roch, F-37230 Fondettes
Tel: (33) (0)2 47 62 64 66, Fax: (33) (0)2 47 42 12 24
contactfr@invacare.com / www.invacare.fr

Ireland:

Invacare Ireland Ltd, Unit 5 Seatown Business Campus, Seatown Road, Swords, County Dublin - Ireland
Tel: (353) 1 810 7084, Fax: (353) 1 810 7085
ireland@invacare.com / www.invacare.ie

Italia:

Invacare Mecc San s.r.l., Via dei Pini 62, I-36016 Thiene (VI)
Tel: (39) 0445 38 00 59, Fax: (39) 0445 38 00 34
italia@invacare.com / www.invacare.it

Nederland:

Invacare BV, Celsiusstraat 46, NL-6716 BZ Ede
Tel: (31) (0)318 695 757, Fax: (31) (0)318 695 758
nederland@invacare.com, csede@invacare.com / www.invacare.nl

Norge:

Invacare AS, Grensesvingen 9, Postboks 6230, Etterstad, N-0603 Oslo
Tel: (47) (0)22 57 95 00, Fax: (47) (0)22 57 95 01
norway@invacare.com, island@invacare.com / www.invacare.no

Österreich:

Invacare Austria GmbH, Herzog Odilostrasse 101, A-5310 Mondsee
Tel: (43) 6232 5535 0, Fax: (43) 6232 5535 4
info-austria@invacare.com / www.invacare.at

Portugal:

Invacare Lda, Rua Estrada Velha, 949, P-4465-784 Leça do Balio
Tel: (351) (0)225 1059 46/47, Fax: (351) (0)225 1057 39
portugal@invacare.com / www.invacare.pt

Sverige & Suomi:

Invacare AB, Fagerstagatan 9, S-163 91 Spånga
Tel: (46) (0)8 761 70 90, Fax: (46) (0)8 761 81 08
sweden@invacare.com, finland@invacare.com / www.invacare.se

Switzerland:

Invacare AG, Benkenstrasse 260, CH-4108 Witterswil
Tel: (41) (0)61 487 70 80, Fax: (41) (0)61 487 70 81
switzerland@invacare.com / www.invacare.ch

United Kingdom:

Invacare Limited, Pencoed Technology Park, Pencoed, Bridgend CF35 5AQ
Switchboard Tel: (44) (0)1656 776200, Fax: (44) (0)1656 776201
Customer services Tel: (44) (0)1656 776222, Fax: (44) (0)1656 776220
uk@invacare.com / www.invacare.co.uk