

Spare Parts Catalogue

Version: 2014/10/10c NO



Invacare® **Perfecto₂V**



Yes, you can.®

General Information

For any order of spare parts the following information is required:

- Product type*
- Product name & model*
- Serial Number*
- Part-Number*
- Part-Description*

Exploded view drawings and code numbers are not contractual and subject to modification, in relation to Invacare® continuous product improvement policy to meet end users needs.

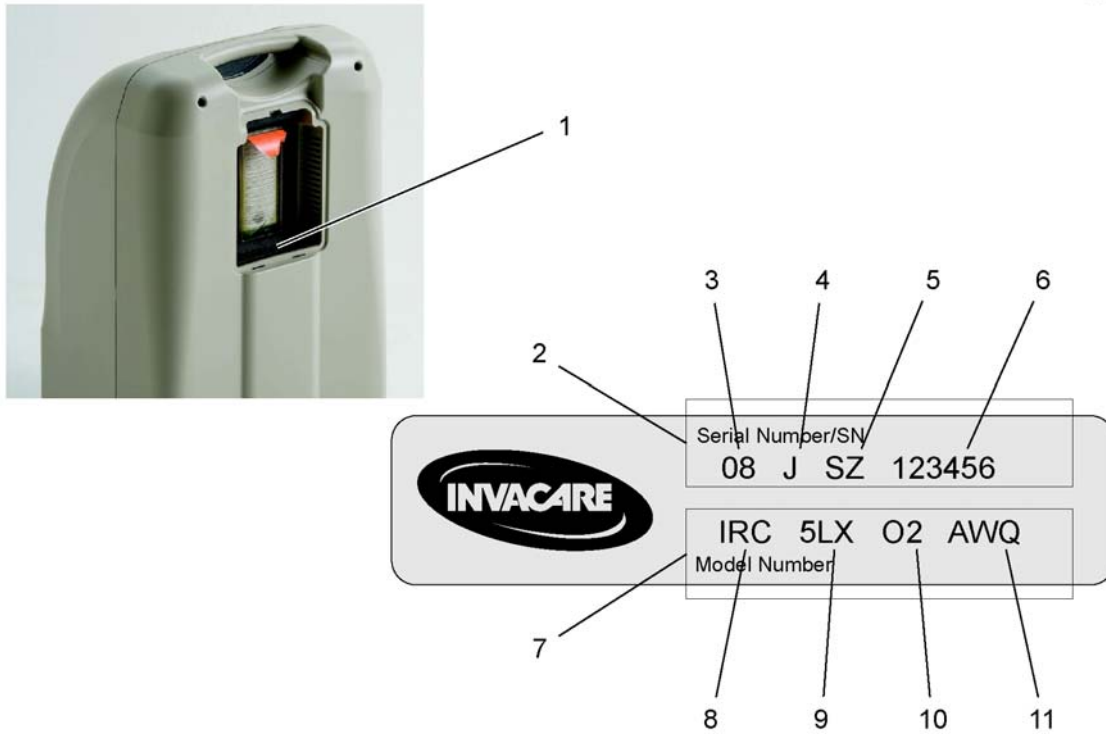
The reproduction or use of this work, or of any substantial part of this work, in any form or by any electronic, mechanical or other means, including photocopying, scanning and recording, and in any information storage and retrieval system, including electronic transmission, is forbidden without the prior written permission of Invacare® International Sarl.



Yes, you can.®

TABLE OF CONTENTS

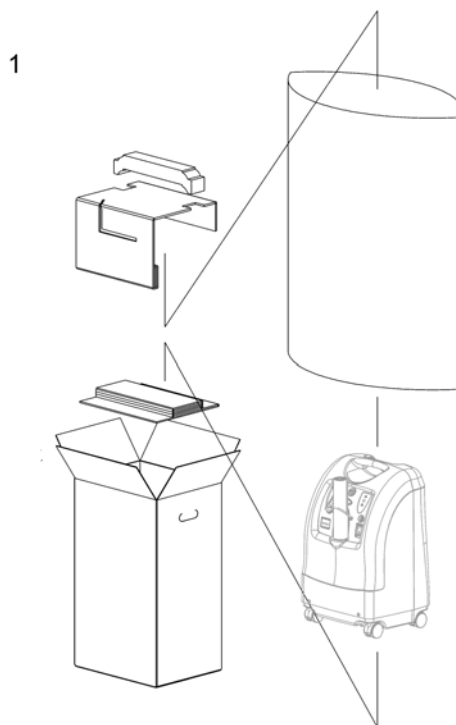
Serienr. klistremerke	5
Brukermanual og emballasje	6
Deksel topp	7
Deksel bunn	8
Kompressor kpl	9
Panel og printkort	10
Lydboks	11
Sieve Bed og produksjonstank	12
Tilbehør	13



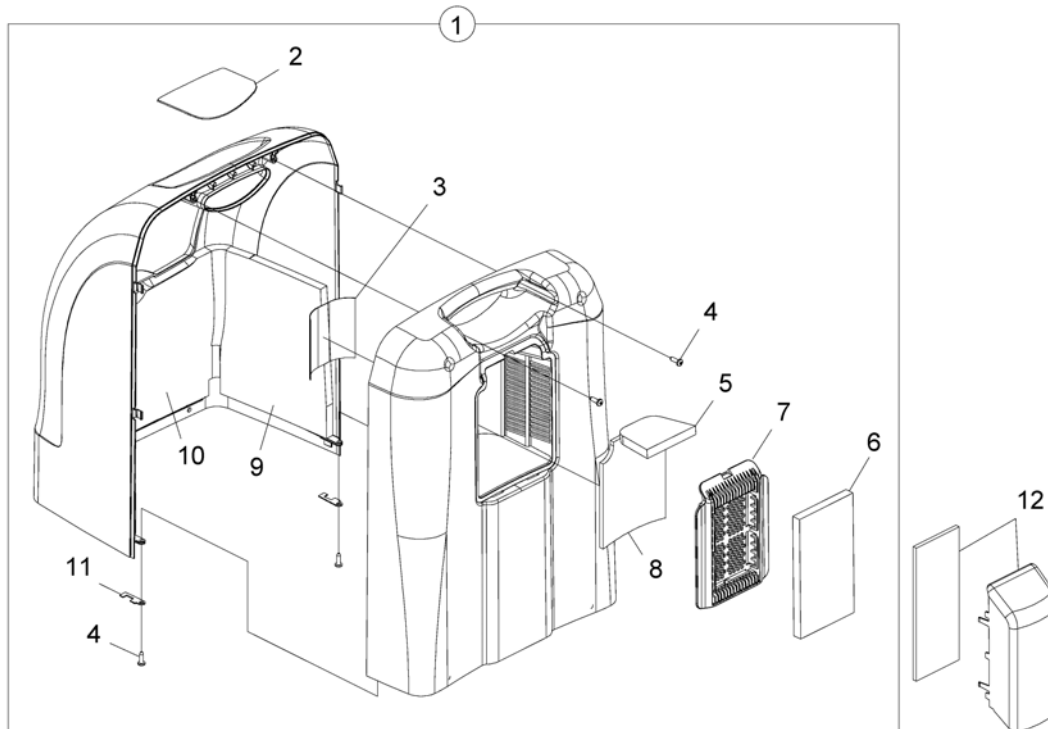
1	-	(Location of the Serial/Model Number Sticker)	1
2	-	(Serial number)	1
3	-	(Manufacturing Year)	1
4	-	(Manufacturing Month (A=Jan, B=Feb L=Dec))	1
5	-	(Manufacturing Location (F=Florida, SZ=Suzhou))	1
6	-	(Sequential number)	1
7	-	(Model Number)	1
8	-	(Invacare Respiratory Corporation)	1
9	-	(Maximum Litre per minute)	1
10	-	(Oxygen Sensor Equipped)	1
11	-	(All World Quiet)	1

Brukermanual og emballasje

1541194X.iso



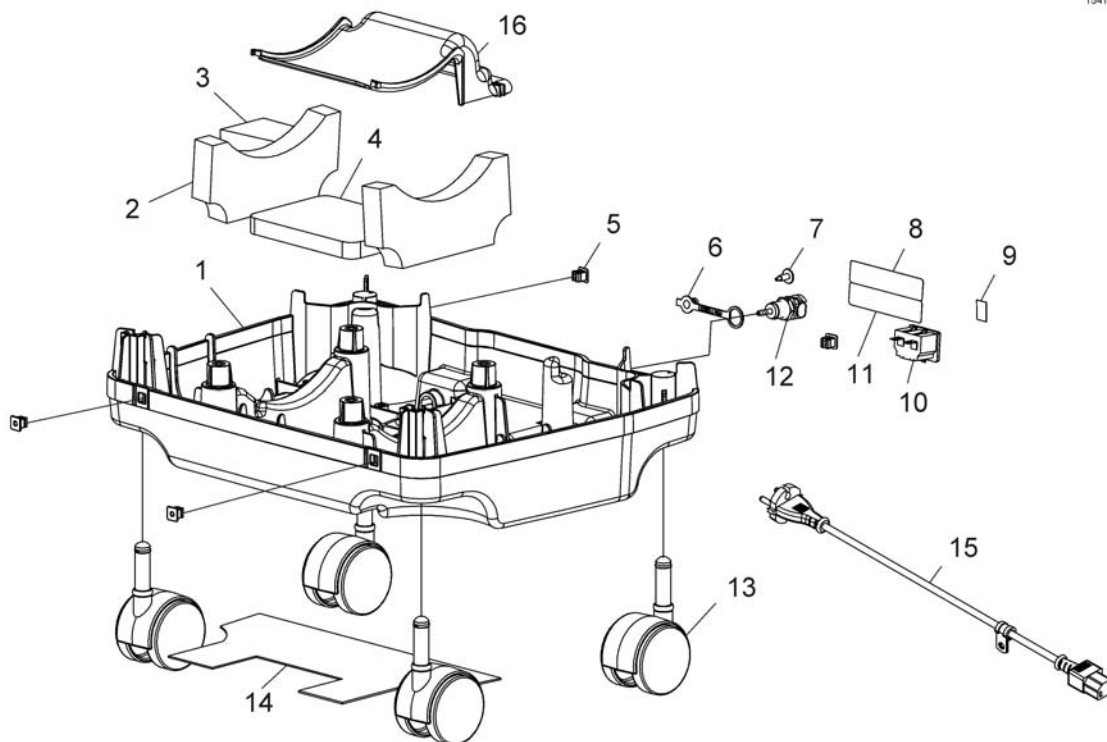
1	1161123	INSERT CARTON TOP PERFECT O2 <i>Includes Carton, Inserts (Top, Bottom, Foam) and poly bag</i>	1
	1171182	(Kit V,Manual/Text Label-Northern Europe) <i>Includes Manual and Text Label for French, Italian, German, Polish & Czech</i>	1
	1171183	(Kit V,Manual/Text Label-Southern Europe) <i>Includes Manual and Text Label for French, Italian, Spanish, Dutch, Greek & Portuguese</i>	1
	1171184	(Kit V,Manual/Text Label-Scandinavian) <i>Includes Manual and Text Label for Danish, Swedish, Norwegian & Finnish</i>	1



1	1156046	(Top Shroud Assembly PO2V) <i>Includes Cabinet and Items 2 - 11</i>	1
2	1167517	(Label, Text PO2VAW - English)	1
3	1137267	(LABEL, DIAGNOSTIC CONCEN)	1
4	1108810	(Screw (10-16 x 5/8"))	1
5	1153695	(Foam, Inlet - Ceiling)	1
6	1143492	FILTER KABINETT KONSENTRATOR PERFECTO2	1
7	1161831	DEKSEL KABINETT FILTER PERFECT O2	1
8	1153700	(Foam,Inlet - Wall)	1
9	1154029	(Foam,Shroud - Side)	1
10	1143464	(Foam,Shroud - Front)	1
11	1143550	(Clip, Retainer)	1
12	1156532	DEKSEL FOR INSUG LUFT PERFECT O2OR O2 <i>Includes Inlet Foam and Scoop</i>	1

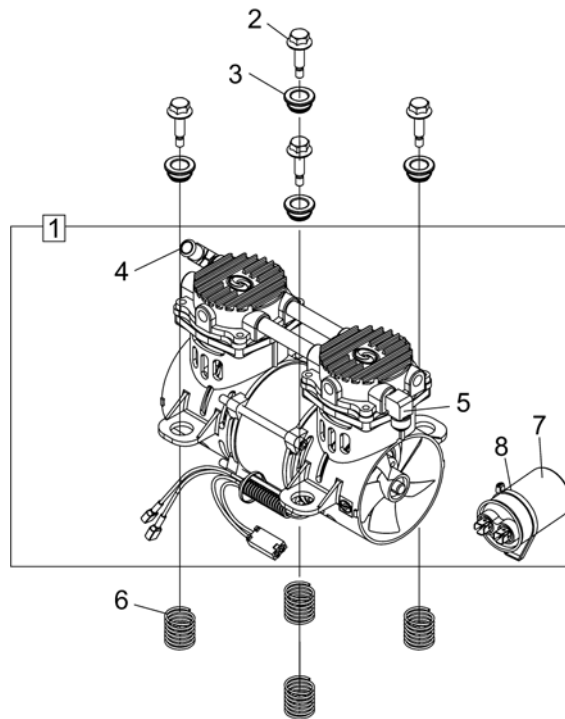
Deksel bunn

1541190X.iso



1	1143451	BASE, PERFECTO2 <i>Includes Base Only</i>	1
2	1153706	(Foam, Dampening - Base)	1
3	1154501	(Foam, Resonator)	1
4	1153705	(Foam, Dampening Outlet Base)	1
5	2000360	GROMMET PLASTIC, PERFECTO2	1
6	1108211	(Cap, Dust)	1
7	1156530	SCREW 8-18 X 1/2, PERFECTO2	1
8	1167533	(Label, PO2VAW Spec 230V)	1
9	1136841	(Label, Recycling)	1
10	1105515	TILKOBLING TIL NETTKABEL TIL PERFECTO2	1
11	1143250	(Label, European Rep Address)	1
12	1104151	UTTAK TIL HOMEFILL, PLATINUM 9	1
13	1110426	HJUL 2" KONSENTRATOR	1
14	1153704	DAMPER, SOUND BASE PERFECTO2	1
15	1156533	STRØMKABEL KONSENTRATOR PERFECTO2	1
16	1143444	(Baffle, Exhaust)	1
	P21080	(Power Cord, UK)	1
	1443841	(Power Cord, Swiss)	1

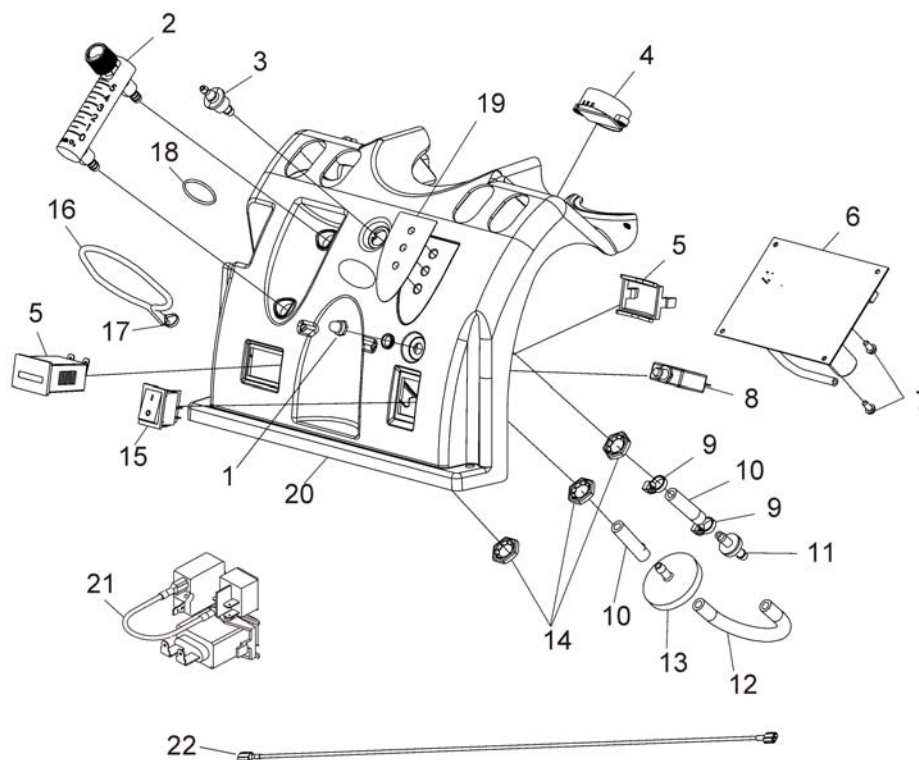
1541197X.iso



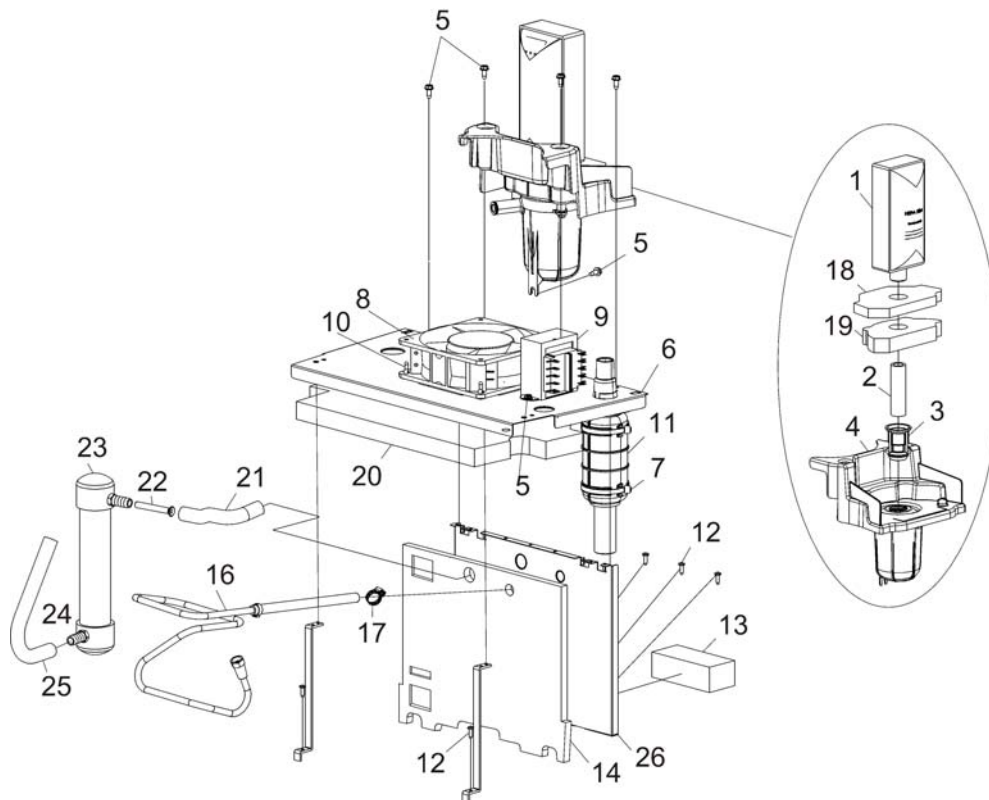
1	1156043	(ASM,Compressor P2V 230V) <i>Includes (1) Compressor, and Items 4-5</i>	1
2	1143461	SKRUE, SEKSKANT KONS PERFECTO2	1
3	1143462	(Bushing, Mounting)	1
4	1108819	(Fitting, Elbow (1/2" Beaded Hose x 1/4" NPT) Beaded)	1
5	1143489	(Elbow, Male Flare)	1
6	1143460	FJÆRING TIL KOMPRESSOR KONS. PERFECTO2	1
7	1099804	KONDENSATOR 10 MFD PERFECTO 02	1
8	1018239	KABEL 17 1/2" KONSENTRATOR PERFECTO2	1

Panel og printkort

1541196X.iso

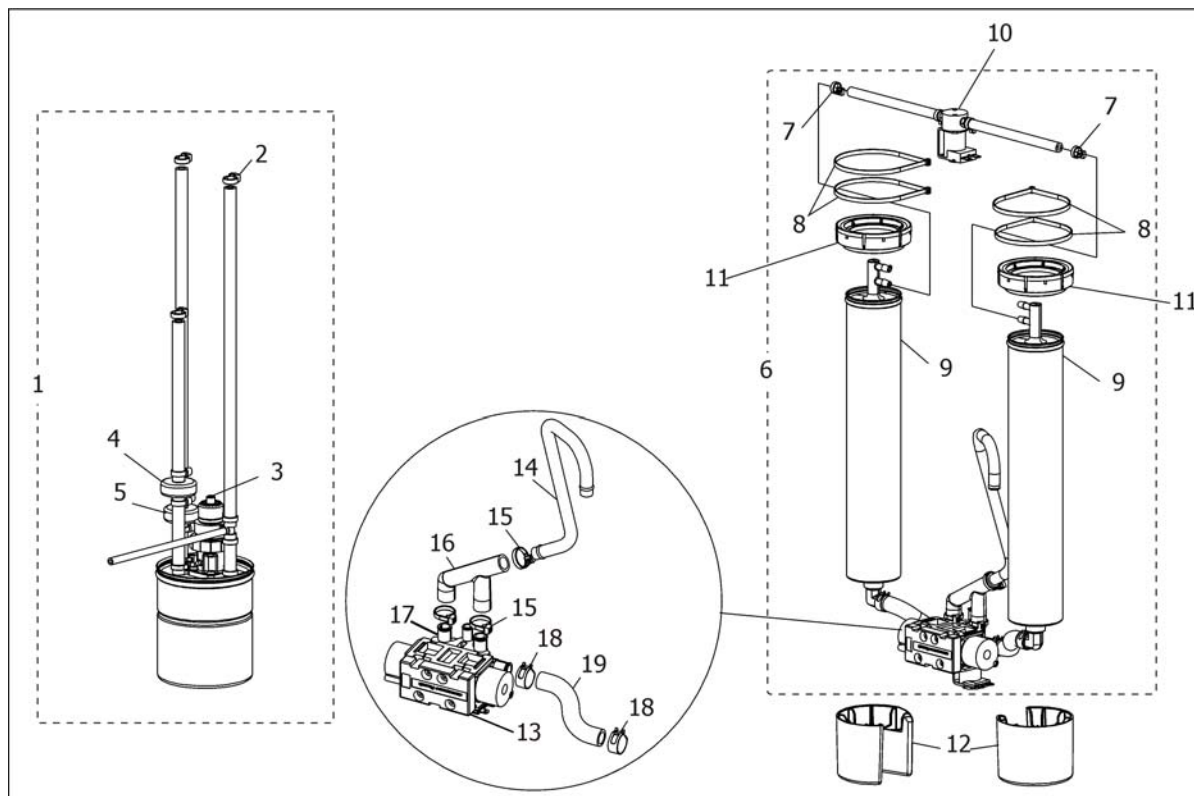


1	1112562	BESKYTTELSEHETTE KONSENT PLATINUM 5	1
2	1110561	OKSYGENMÅLER	1
3	1180107	FIRE BREAK MESSING PERFECT O2	1
4	1143503	ALARM KONSENTRATOR PERFECTO2	1
5	2002939	TIMETELLER KONSENTRATOR O2	1
6	1164808	(ASM.P2 ISBN CONTROL (NEW SOFTWARE))	1
7	1143499	(Screw, Phillips Hex Washer Head (8-16 x 3/8"))	1
8	1110824	AUTOMATSIKRING PERFECTO2 4AMP	1
9	2001682	KABELBINDER KONSENTRATOR O2	1
10	1110473	(TUBING, TYGON 1.75)	1
11	2000460	(Check Valve)	1
12	1143144	SLANGE 5.00 PERFECT O2	1
13	P0750X030	FILTER BAKTERIE (HEPA) KONSENTRATOR O2	1
14	2000507	FESTEMUTTER 9/16 PERFECT O2	1
15	1139950	STRØMBRYTER KONSENTRATOR O2	1
16	1008547	(Elastic Cord)	1
17	1006525	STRIPS TIL FYLLESLANGE HOMEFILL	1
18	1095497	(Decal, Invacare Logo)	1
19	1143479	LABEL LED PERFECT O2	1
20	1143469	KONTROLLPANEL KONSENTRATOR PERFECTO2	1
21	2001764	(WIRE HARNESS, JUMPER)	1
22	1143501	(Power Jumper Assembly)	1
	1154101	(Main Harness Assembly (Connects to PC Board))	1
	1143526	(Wire Harness Valve Assembly (Connects to PC Board))	1



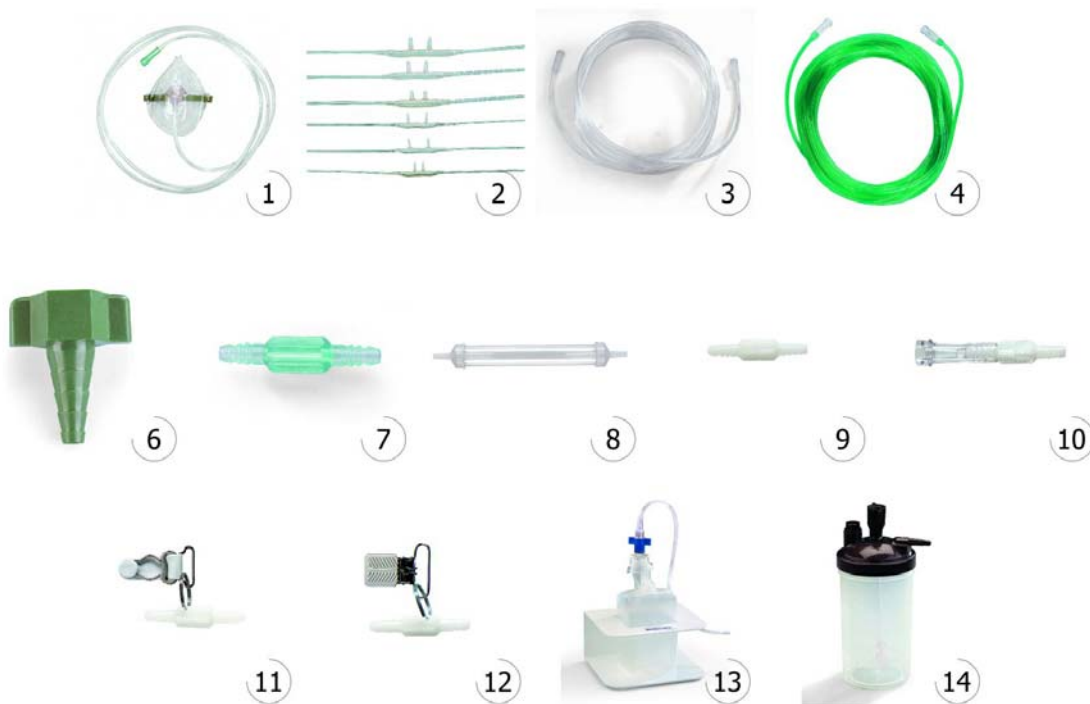
1	1131249	FILTER INNTAK BAKTERIE KONSENTRATOR O2 / PLAT S	1
2	1153703	(Tube (1/2x2-3/4 ")	1
3	1106675	INNTAKSFILTER KONSENTRATOR PLATINUM	1
4	1143435	(Resonator Assembly)	1
5	1128404	(SCREW, 8-32 X .375 PH HX)	1
6	1143473	(Soundbox, Horizontal)	1
7	2001682	KABELBINDER KONSENTRATOR O2	1
8	1136943	VENTILATOR KONSENTRATOR PLAT S PERF02	1
9	1153690	(Transformer Assembly, 20V - PO2AW)	1
10	1143491	(Rivet, Isolator Mount)	1
11	1143554	MUFFLER ASSEMBLY	1
12	1108810	(Screw (10-16 x 5/8"))	1
13	1147917	(Mount, Foam Valve 4-Way)	1
14	1154030	(Foam, Soundbox - Vertical)	1
16	1143557	VARMEUTVEKSLER KONSENTRATOR PERFECTO2	1
17	1143582	(Clamp, Hose Adjustable (3/8 ")	1
18	1153693	(Foam, Resonator-Top)	1
19	1153694	(Foam, Resonator-Bottom)	1
20	1153699	(Foam, Soundbox - Ceiling)	1
21	1153707	TUBE INLET PREFORMED	1
22	1153692	(Tube, Inlet Silencer)	1
23	1153788	RESONATOR INNGANG KONS PERFECTO2	1
24	2001682	KABELBINDER KONSENTRATOR O2	1
25	1153708	TUBE OUTLET PREFORMED	1
26	1143445	(Soundbox, Vertical)	1

Sieve Bed og produksjonstank



1	1161711	(ASM,Product Tank W/Senso2 REG)	1
1	1182226	(ASM,Product Tank W/Senso2 REG)	1
2	2001682	KABELBINDER KONSENTRATOR O2	1
2	1075506	\$REGULATERO O2 OKSYGEN	1
3	1182500	(Regulator Service Kit)	1
4	1143544	VENTIL KORT KONSENTRATOR PERFECTO2	1
5	1182170	(Check Valve Assembly)	1
6	1165099	SIEVE BEDS KIT PAR PERFECT O2V <i>Includes items 7-9</i>	1
7	2001682	KABELBINDER KONSENTRATOR O2	1
8	1018239	KABEL 17 1/2" KONSENTRATOR PERFECTO2	1
9	1164804	ASM, SIEVE BED PERFECT O2V	1
10	1164785	(ASM,Valve PE)	1
11	1164806	(Adapter, Sieve bed top)	1
12	1164807	(Adapter, Sieve bed bottum)	1
13	1101141	VENTIL 4 VEIS MED SKRUE TIL KONSENTRATORER	1
14	1143447	SLANGE EKSOS PERFECT O2	1
15	2001682	KABELBINDER KONSENTRATOR O2	1
16	1143446	SLANGE 4 WAY VALVE PERFECT O2	1
17	1143556	MONTERING VENTIL KONS. PERFECTO2	1
18	P0876X026	(Clamp, Hose)	1
19	1188708	SLANGE VENTIL PERFECT O2	1
	1157641	(Restrictor,Teal)	1
	1164798	(Support, MID)	1

1527156X.jpg



1	M3210	OKSYGENMASKE	1
2	M3117	NESEKATETER VOKSEN MICRO 2,1 M LEDNING	1
2	M3115	NESEKATETER VOKSEN MICRO 2,1 M	1
2	1498231	(Cannula, Adult (Salter 1056) for HomeFill 2)	1
2	1524235	NESEKATETER HIGH FLOW 1,2M	1
2	M3120	NESEKATETER VOKSEN 2,1 M	1
2	1524236	NESEKATETER VOKSEN 2,1 HIGH FLOW PLAT 9	1
2	1509581	KANYLE HIGH FLOW VOKSEN	1
2	M3110	NESEKATETER VOKSEN QUIET 8 M LEDNING	1
2	M3122	NESEKATETER SPEBARN	1
2	M3121	NESEKATETER BARN	1
3	1513831	SLANGE STRATOS PRO 2,1 M	1
3	M4150	SLANGE 4,5M KONSENTRATOR	1
3	M4250	SLANGE 7,6M KONSENTRATOR	1
3	M1522	SLANGE 15,2M KONSENTRATOR	1
6	M4610	UNIVERSALKOBLING OKSYGEN	1
7	M4650	SLANGE KOBLING OKSYGEN	1
8	M1523	KONDENSERINGSRØR OKSYGEN	1
9	M1220	SKJØTESTYKKE ROTERENDE OKSYGEN HAN-HAN	1
10	M1225	SKJØTESTYKKE ROTERENDE OKSYGEN HAN-HUN	1
11	M1222	SKJØTESTYKKE ROTERENDE OKSYGEN HAN-HAN SART CLI	1
12	M1221	SKJØTESTYKKE ROTERENDE OKSYGEN HAN-HAN UNIVERSA	1
13	M1521	HOLDER FOR FUKTFLASKE OKSYGEN	1
14	M5120	FUKTEFLASKE KONSENTRATOR SENS O2	1
14	1509582	(High-Flow Humidifier w/ 6PSI Pressure Relief Val)	1
	1110768	SLANGE TIL LUFTFUKTER KONSENTRATOR	1
	M5000P	(Filter Kit (5.000 Operating hours) Platinum) <i>Includes: 2 x 1107412, 1131249 & P0750X030</i>	1
	M1001NP	(Refurbishment Invacare5-O2-Platinum) <i>Includes M3120, M3210, M5120, 2000799 & M5000P</i>	1
	1527501-M5PO2	(Filter Kit (5.000 Operating hours) PO2 and POV2) <i>Includes: 1143492 & 1131249</i>	1

Tilbehør

1527501-M1NPO2

(Refurbishment Kit PO2 and PO2V)

Includes: 1143492, 1110768, M3120, M5120 & 1131249

1



Yes, you can.®



Belgium & Luxemburg:

Invacare nv, Autobaan 22, B-8210 Loppem
Tel: (32) (0)50 83 10 10, Fax: (32) (0)50 83 10 11
belgium@invacare.com / www.invacare.be

Denmark:

Invacare A/S, Sdr. Ringvej 37, DK-2605 Brøndby
Tel: (45) (0)36 90 00 00, Fax: (45) (0)36 90 00 01
denmark@invacare.com / www.invacare.dk

Deutschland:

Invacare Aquatec GmbH, Alemannenstraße 10, D-88316 Isny
Tel: (49) (0)75 62 7 00 0, Fax: (49) (0)75 62 7 00 66
info@invacare-aquatec.com / www.invacare-aquatec.de

European Distributor Organisation:

Invacare, Kleiststraße 49, D-32457 Porta Westfalica
Tel: (49) (0)57 31 754 540, Fax: (49) (0)57 31 754 541
edo@invacare.com / www.invacare.eu.com

España:

Invacare SA, c/Areny s/n, Polígon Industrial de Celrà, E-17460 Celrà (Girona)
Tel: (34) (0)972 49 32 00, Fax: (34) (0)972 49 32 20
contactsp@invacare.com / www.invacare.es

France:

Invacare Poirier SAS, Route de St Roch, F-37230 Fondettes
Tel: (33) (0)2 47 62 64 66, Fax: (33) (0)2 47 42 12 24
contactfr@invacare.com / www.invacare.fr

Ireland:

Invacare Ireland Ltd, Unit 5 Seatown Business Campus, Seatown Road, Swords, County Dublin - Ireland
Tel: (353) 1 810 7084, Fax: (353) 1 810 7085
ireland@invacare.com / www.invacare.ie

Italia:

Invacare Mecc San s.r.l., Via dei Pini 62, I-36016 Thiene (VI)
Tel: (39) 0445 38 00 59, Fax: (39) 0445 38 00 34
italia@invacare.com / www.invacare.it

Nederland:

Invacare BV, Celsiusstraat 46, NL-6716 BZ Ede
Tel: (31) (0)318 695 757, Fax: (31) (0)318 695 758
nederland@invacare.com, csede@invacare.com / www.invacare.nl

Norge:

Invacare AS, Grensesvingen 9, Postboks 6230, Etterstad, N-0603 Oslo
Tel: (47) (0)22 57 95 00, Fax: (47) (0)22 57 95 01
norway@invacare.com, island@invacare.com / www.invacare.no

Österreich:

Invacare Austria GmbH, Herzog Odilostrasse 101, A-5310 Mondsee
Tel: (43) 6232 5535 0, Fax: (43) 6232 5535 4
info-austria@invacare.com / www.invacare.at

Portugal:

Invacare Lda, Rua Estrada Velha, 949, P-4465-784 Leça do Balio
Tel: (351) (0)225 1059 46/47, Fax: (351) (0)225 1057 39
portugal@invacare.com / www.invacare.pt

Sverige & Suomi:

Invacare AB, Fagerstagatan 9, S-163 91 Spånå
Tel: (46) (0)8 761 70 90, Fax: (46) (0)8 761 81 08
sweden@invacare.com, finland@invacare.com / www.invacare.se

Switzerland:

Invacare AG, Benkenstrasse 260, CH-4108 Witterswil
Tel: (41) (0)61 487 70 80, Fax: (41) (0)61 487 70 81
switzerland@invacare.com / www.invacare.ch

United Kingdom:

Invacare Limited, Pencoed Technology Park, Pencoed, Bridgend CF35 5AQ
Switchboard Tel: (44) (0)1656 776200, Fax: (44) (0)1656 776201
Customer services Tel: (44) (0)1656 776222, Fax: (44) (0)1656 776220
uk@invacare.com / www.invacare.co.uk