

Spare Parts Catalogue

Version: 2015/06/15a NO

Aquatec® Major





Yes, you can.[®]

General Information

For any order of spare parts the following information is required:

- Product type*
- Product name & model*
- Serial Number*
- Part-Number*
- Part-Description*

Exploded view drawings and code numbers are not contractual and subject to modification, in relation to Invacare[®] continuous product improvement policy to meet end users needs.

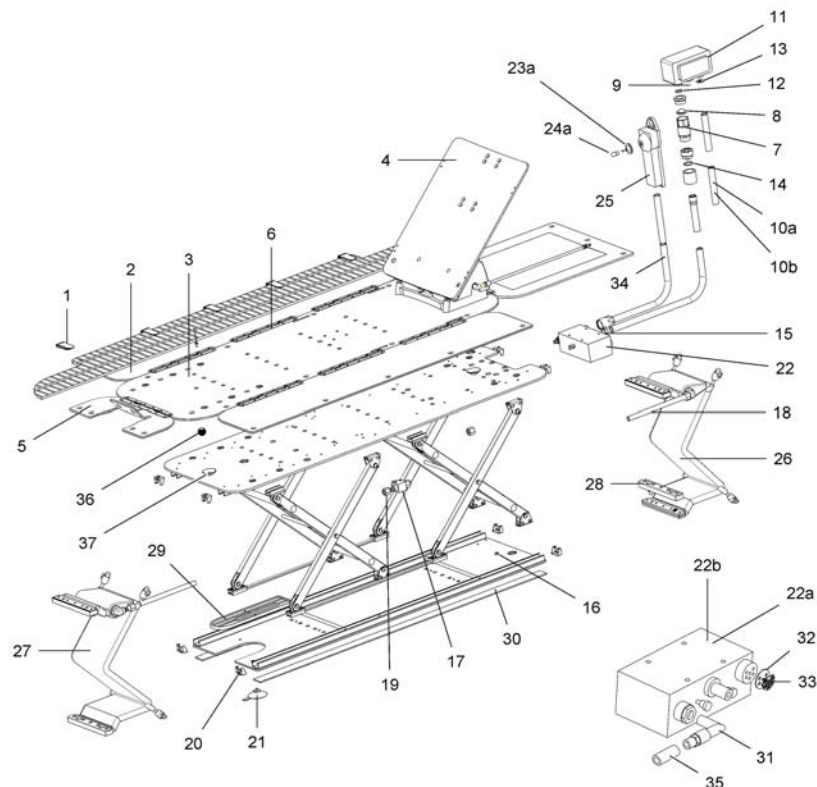
The reproduction or use of this work, or of any substantial part of this work, in any form or by any electronic, mechanical or other means, including photocopying, scanning and recording, and in any information storage and retrieval system, including electronic transmission, is forbidden without the prior written permission of Invacare[®] International Sarl.



Yes, you can.®

TABLE OF CONTENTS

Reservedeler	5
Tilbehør	7



	11167	DEKKMATTE HVIT MAJOR M KLIPS HUSK SERIENUMMER <i>Serial No. needed</i>	1
	11166	DEKKMATTE BLÅ MAJOR M KLIPS HUSK SERIENUMMER <i>Serial No. needed</i>	1
	11137	TREKK RYGG STD AQUATEC HVIT F	1
	11136	TREKK RYGG STD AQUATEC BLÅ F	1
	11537	(Cover for reclining backrest, white)	1
2	01000	(Sideflap for MINOR-AQUATEC - only, mounted -) <i>Dummy Item - Serial No. needed</i>	1
	11535	TREKK RYGG BEV AQUATEC BLÅ	1
	11161	(Frame for backrest Major-Aquatec New Model - without cover)	1
	12263	(Backrest for Minor Aquatec M2 -without cover-)	1
	11517	RYGG UTEN TREKK AQUATEC MINOR	1
	12742	(Hydraulic Back rest)	1
	11154	INNLEGGSPUTE RYGG MAJOR	1
	11155	(cover stationary special backrest, white ral 9003 Aquatec Major)	1
3	01001	(Middlepart for AQUATEC coverplate GSG - only -) <i>Dummy Item - Serial No. needed</i>	1
	11148	TREKK RYGG BEV BLÅ M.SIDESTØTTE	1
	11149	(Cover for reclining special backrest color: white)	1
	11214	TREKK PUTE MAJOR MAJOR	1
4	01002	(Headpart for AQUATEC coverplate - only -) <i>Dummy Item - Serial No. needed</i>	1
	11215	(cover headrest, white ral 9003)	1
	11220	(cover for foot support, blue)	1
	11221	(cover for foot support, white)	1
37	10880	()	2
5	01003	(Footpart for AQUATEC coverplate - only -) <i>Dummy Item - Serial No. needed</i>	1
	11202	TREKK PUTE MAJOR AQUATECRE	1
	11203	(cover pillow white, ral 9003 f. water-driven bathlifts)	1
	11208	TREKK SPESIALPUTE 13681 AQUATECRE	1
	11209	(Cover for special pillow, white)	1

Reservedeler

	13974	FESTEKLIPS DEKKMATTE BLÅ MAJOR KOMPL.SETT	1
	13975	FESTEKLIPS DEKKMATTE HVIT MAJOR KOMPL.SETT	1
26	01005	(Bladder for AQUATEC bathlift -headpart) <i>Dummy Item - Serial No. needed</i>	1
22b	14134	KOBLINGSBOKS FAST RYGG AQUATEC MAJOR	1
	11551	KLEBEBAND TAPE MAJOR MAJOR	1
	15317	(Special height adapters 20 mm (set of 6) for Aquatec Major / M2 / M3)	1
9	01004	pseudo-zuleitungsschlauch h major für produkthandb <i>Dummy Item - Serial No. needed</i>	1
	15318	(special height adapter 40 mm Aquatec Major M2)	1
	15319	(special height adapter 60 mm Aquatec Major)	1
	10084	(Hose holder for supply hose)	1
	11568	VENDEKRAN MINOR/ MAJOR UTEN SLANGE IKKE VEGGMON	1
27	01006	(Bladder for AQUATEC bathlift -foot part) <i>Dummy Item - Serial No. needed</i>	1
	10447	(bracket, chromium plated f. u-switch)	1
	11123	(Fixation set for switch over)	1
	14440	(Operating instruction AQUATEC MAJOR)	1
1	11424	(Covermat Clip, white for Aquatec Major / Step)	1
1	11429	(tab for covermat Aquatec Major / Step blue Ral 5002)	1
34	14964	SLANGE TIL 1 FUNKSJONS HÅNDKONTROLL MAJOR <i>Hose for 2-function Handcontrol incl. in 12541AQA</i>	1
6	12134	(hinges for sideflaps)	1
7	11491	HURTIGKOBLING MAJOR MINOR	1
8	11023	INNLEGGSSIL TIL MAJOR	1
35	12843	SKJØTESTYKKE MINIATYR KOBLING MAJOR	1
10a	11302	DUSJSLANGE 1 METER AQUATEC	1
10b	11364	DUSJSLANGE 1,5 meter AQUATEC	1
11	12585	VENDEKRAN MINOR/ MAJOR UTEN SLANGE	1
12	10860	STOPPSKIVE RØD 2MM MAJOR	1
13	11385	STOPPSKIVE SORT TIL DUSJ SLANGE 19X8X1	1
36	10141	BALL SORT DEKKPLATE STK	1
14	11661	O-RING FOR HURTIG FRAKOBLING MAJOR	1
15	11559	KLEMME FOR SLANGE TIL MAJOR	1
16	11553	(Sleeve nut for suction cup M4 for Aquatec Major)	1
17	10835	(T-piece/distributor piece, blue)	1
18	11020	SLANGE MED KOPLING MINOR	1
19	10356	MUTTERHETTE ALUMINIUM MAJOR	1
20	11507	(Protection end for metal track Aquatec Major)	1
21	14204	SUGEKOPPER MAJOR SETT 4 STK	1
22a	11838	VENTILHUS MAJOR BEV. RYGG	1
23a	14403	JOYSTICK 1-funkSJon major	1
24a	14098	JOYSTICK KNOPP BLÅ 1-funkt major	1
25	14060	BETJENINGSBOKS MINOR MAJOR FAST RYGG	1
25	12541AQA	BETJENINGSBOKS MINOR MAJOR BEVEG.RYGG	1
28	11027	(Hose cover blue)	1
29	10845	(Adjustable blue plat for Aquatec Major)	1
30	10142	BESKYTTERLIST MAJOR AQUATEC MAJOR pr.meter	1
31	11003	KOBLING FOR HÅNSKONTROLL MINATYR MAJOR	1
32	11376	SKIVE FOR TO VEIS FINSKJON HÅNSKONTROLL	1
33	12608	SORT SKIVE FOR TO VEIS HÅNSKONTROLL MAJOR	1



1	13645	RYGGSTØTTE BLÅ MAJOR <i>Major 10,20,30</i>	1
10	1525933	ABDUKSJONSKLOSS 12CM MAJOR BLÅ <i>Replaces 14900</i>	1
1	13646	RYGGSTØTTE HVIT MAJOR <i>Major 10,20,30</i>	1
10	1525932	(Pommel for Aquatec bathlifters - 7 cm) <i>Replaces 14894</i>	1
1	13723	RYGG BLÅ <i>Major 40</i>	1
2	13699	RYGG JUSTERBAR MED TREKK BLÅ MAJOR MINOR <i>Major 10,20,30</i>	1
2	13700	RYGG JUSTERBAR MED TREKK HVIT MAJOR MINOR <i>Major 10,20,30</i>	1
3	13651	RYGGSTØTTE SPESIAL BLÅ <i>Major 10,20,30</i>	1
6	13718	(Footrest for Aquatec Major, installed with white cover) <i>Major 40</i>	0
3	13729	RYGG SPESIAL BLÅ FOR M2/M3/MA40 <i>Major 40</i>	1
7	10126	BRYSTBELTE UMONTERT FAST RYGG MINOR	1
7	10121	BRYSTBELTE FABRIKKMONT MAJOR	1
3	13652	RYGGSTØTTE SPESIAL HVIT <i>Major 10,20,30</i>	1
4	13705	RYGG JUSTERBAR M VINGER MED PUTE TRAKK MAJOR <i>Major 10,20,30</i>	1
2	13735	(Hydraulic backrest, blue for Aquatec Minor M2, M3, MAJOR 40) <i>Major 40</i>	1
4	13706	RYGG JUSTERBAR MED STØTT MED PUTE OG TREKK HVIT <i>Major 10,20,30</i>	1
3	13730	RYGG SPESIAL HVIT <i>Major 40</i>	1
5	13639	HODESTØTTE M SIDESTØTTE BLÅ SPESIALRYGG MAJOR	1
5	13640	HODESTØTTE M SIDESTØTTE HVIT SPESIALRYGG MAJOR	1
4	13741	RYGG JUSTERBAR MED STØTT MED PUTE OG TREKK STOR <i>Major 40</i>	1

Tilbehør

6	13711	FOTBRETT FOR MAJOR MONTE BLÅTT TREKK <i>Major 10,20,30</i>	1
4	13742	(Hydraulic special backrest, white M2, M3, AT40) <i>Major 40</i>	1
6	13712	FOTBRETT FOR MAJOR MONTE HVIT TREKK <i>Major 10,20,30</i>	1
6	13717	(Footrest for, installed with blue cover) <i>Major 40</i>	1
7	10119	BRYSTBELTE MAJOR FAST RYGG AQUATEC	1
2	13736	(Hydraulic backrest, white) <i>Major 40</i>	1
7	10077	BEKKENBELTE UMONTERT MAJOR, SPESIALI MINOR M	1
7	10076	LEGGBELTE AQUATEC MAJOR MINOR M2, M3	1
8	13687	KILEPUTE MED TREKK BLÅ SKUM	1
8	13693	KILEPUTE SANDFYLT BLÅ	1
8	13688	KILEPUTE MED TREKK HVIT SKUM	1
8	13694	KILEPUTE SANDFYLT HVIT	1
9	13681	PUTE SPESIAL MED SIDEVIN BLÅ	1
9	13682	PUTE SPESIAL MED SIDEVIN HVIT	1
	13675	HODEPUTE MED TREKK BLÅ	1
	13676	HODEPUTE MED TREKK HVIT	1
11	10016	BÆREBAG AQUATEC MAJOR	1



Yes, you can.®



Belgium & Luxemburg:

Invacare nv, Autobaan 22, B-8210 Loppem
Tel: (32) (0)50 83 10 10, Fax: (32) (0)50 83 10 11
belgium@invacare.com / www.invacare.be

Denmark:

Invacare A/S, Sdr. Ringvej 37, DK-2605 Brøndby
Tel: (45) (0)36 90 00 00, Fax: (45) (0)36 90 00 01
denmark@invacare.com / www.invacare.dk

Deutschland:

Invacare Aquatec GmbH, Alemannenstraße 10, D-88316 Isny
Tel: (49) (0)75 62 7 00 0, Fax: (49) (0)75 62 7 00 66
info@invacare-aquatec.com / www.invacare-aquatec.de

European Distributor Organisation:

Invacare, Kleiststraße 49, D-32457 Porta Westfalica
Tel: (49) (0)57 31 754 540, Fax: (49) (0)57 31 754 541
edo@invacare.com / www.invacare.eu.com

España:

Invacare SA, c/Areny s/n, Polígon Industrial de Celrà, E-17460 Celrà (Girona)
Tel: (34) (0)972 49 32 00, Fax: (34) (0)972 49 32 20
contactsp@invacare.com / www.invacare.es

France:

Invacare Poirier SAS, Route de St Roch, F-37230 Fondettes
Tel: (33) (0)2 47 62 64 66, Fax: (33) (0)2 47 42 12 24
contactfr@invacare.com / www.invacare.fr

Ireland:

Invacare Ireland Ltd, Unit 5 Seatown Business Campus, Seatown Road, Swords, County Dublin - Ireland
Tel: (353) 1 810 7084, Fax: (353) 1 810 7085
ireland@invacare.com / www.invacare.ie

Italia:

Invacare Mecc San s.r.l., Via dei Pini 62, I-36016 Thiene (VI)
Tel: (39) 0445 38 00 59, Fax: (39) 0445 38 00 34
italia@invacare.com / www.invacare.it

Nederland:

Invacare BV, Celsiusstraat 46, NL-6716 BZ Ede
Tel: (31) (0)318 695 757, Fax: (31) (0)318 695 758
nederland@invacare.com, csede@invacare.com / www.invacare.nl

Norge:

Invacare AS, Grensesvingen 9, Postboks 6230, Etterstad, N-0603 Oslo
Tel: (47) (0)22 57 95 00, Fax: (47) (0)22 57 95 01
norway@invacare.com, island@invacare.com / www.invacare.no

Österreich:

Invacare Austria GmbH, Herzog Odilostrasse 101, A-5310 Mondsee
Tel: (43) 6232 5535 0, Fax: (43) 6232 5535 4
info-austria@invacare.com / www.invacare.at

Portugal:

Invacare Lda, Rua Estrada Velha, 949, P-4465-784 Leça do Balio
Tel: (351) (0)225 1059 46/47, Fax: (351) (0)225 1057 39
portugal@invacare.com / www.invacare.pt

Sverige & Suomi:

Invacare AB, Fagerstagatan 9, S-163 91 Spånga
Tel: (46) (0)8 761 70 90, Fax: (46) (0)8 761 81 08
sweden@invacare.com, finland@invacare.com / www.invacare.se

Switzerland:

Invacare AG, Benkenstrasse 260, CH-4108 Witterswil
Tel: (41) (0)61 487 70 80, Fax: (41) (0)61 487 70 81
switzerland@invacare.com / www.invacare.ch

United Kingdom:

Invacare Limited, Pencoed Technology Park, Pencoed, Bridgend CF35 5AQ
Switchboard Tel: (44) (0)1656 776200, Fax: (44) (0)1656 776201
Customer services Tel: (44) (0)1656 776222, Fax: (44) (0)1656 776220
uk@invacare.com / www.invacare.co.uk