

# Spare Parts Catalogue

---

Version: 2014/03/17a NO



Invacare® **Platinum® 9**



**Yes, you can.®**

## **General Information**

*For any order of spare parts the following information is required:*

- Product type*
- Product name & model*
- Serial Number*
- Part-Number*
- Part-Description*

*Exploded view drawings and code numbers are not contractual and subject to modification, in relation to Invacare® continuous product improvement policy to meet end users needs.*

*The reproduction or use of this work, or of any substantial part of this work, in any form or by any electronic, mechanical or other means, including photocopying, scanning and recording, and in any information storage and retrieval system, including electronic transmission, is forbidden without the prior written permission of Invacare® International Sarl.*



**Yes, you can.<sup>®</sup>**

## **TABLE OF CONTENTS**

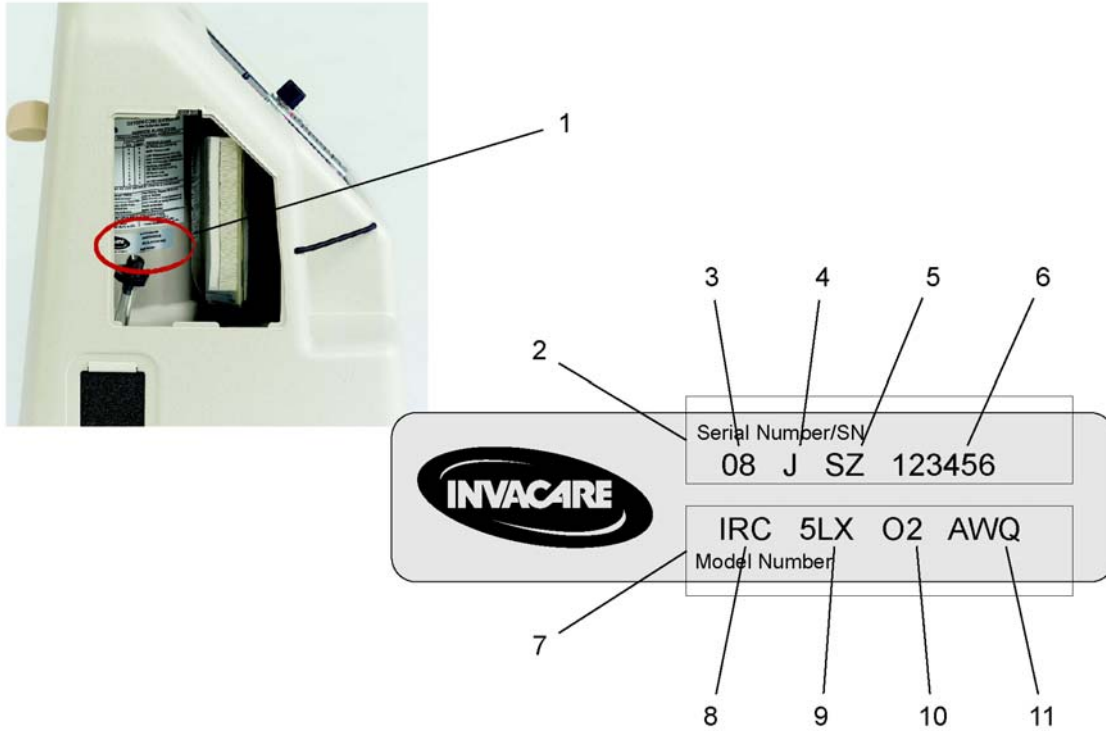
---

Serienr. klistremerke .....	5
Brukermanual og emballasje .....	6
Deksel topp .....	7
Deksel bunn .....	8
Panel sett forfra .....	9
Panel sett bakfra .....	10
Sieve Bed og produksjonstank .....	11
Kompressor .....	12
Lydboks og manifold .....	13
Tilbehør .....	14



# Serienr. klistremerke

1526812X150

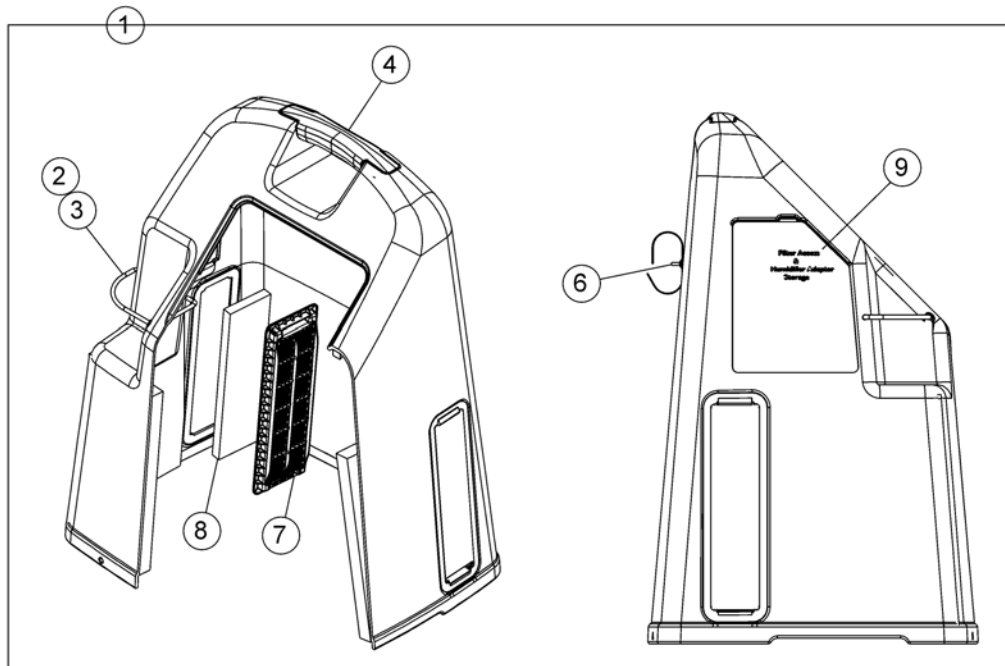


1	-	(Location of the Serial/Model Number Sticker)	1
2	-	(Serial number)	1
3	-	(Manufacturing Year)	1
4	-	(Manufacturing Month (A=Jan, B=Feb L=Dec))	1
5	-	(Manufacturing Location (F=Florida, SZ=Suzhou))	1
6	-	(Sequential number)	1
7	-	(Model Number)	1
8	-	(Invacare Respiratory Corporation)	1
9	-	(Maximum Litre per minute)	1
10	-	(Oxygen Sensor Equipped)	1
11	-	(All World Quiet)	1

## Brukermanual og emballasje

---

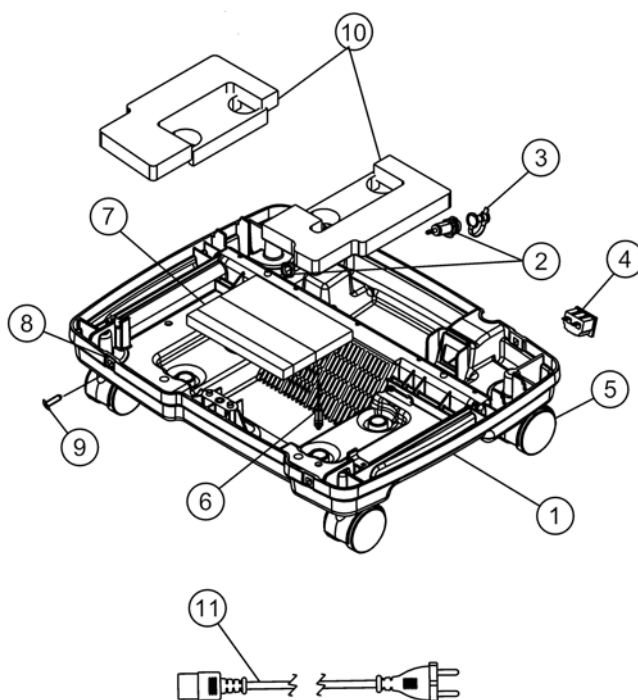
1141491	(Owerner's Manual Northre)	1
1141492	(Owerner's Manual Souther)	1
1141493KIT9	(Kit Scandinavian Platinum)	1
1136990	CARTON, PLATINUM SERIEN	1
1135509	PACKAGE, PE FOAM INSERT KIT, PLATINUM SERIEN	1
1121276	CLAMP, .31 CUSHIONED, PLATINUM SERIEN	5



1	1108803	COVER PANELS KONSENTRATOR PLATINUM <i>Includes Cabinet and Items 2-3 &amp; 7-9</i>	1
2	1070050	KABELBINDER KONSENTRATOR PLATINUM S	1
3	1008547	(Elastic Cord)	5
6	1122240	(RIVET, PLASTIC)	10
7	1107400	FILTER GROV KONSENTRATOR PLATINUM S	1
8	1107412	FILTER KABINETT 70X230 KONSENTRATOR PLATINUM	1
9	1110766	DEKSEL KABINETT PLATINUM DEKSEL FOR FILTER	1

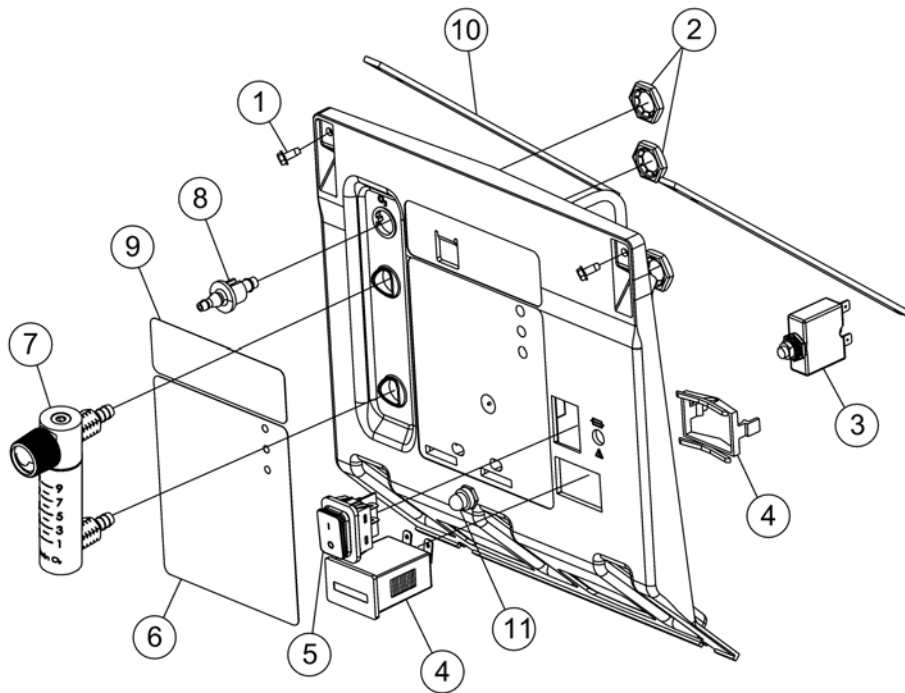
# Deksel bunn

1531089X.svgz



1	1134174	(Base Compressor black)	1
2	1104151	UTTAK TIL HOMEFILL, PLATINUM 9	1
3	1108211	(Cap, Dust)	1
4	1105515	TILKOBLING TIL NETTKABEL TIL PERFECT02	1
5	1110426	HJUL 2" KONSENTRATOR	1
6	2000576	(Tie Wrap, Standoff Twist-Lok (1/2"))	1
7	1137257	(FOAM, WELL BASE O2AWQUIE)	1
8	2000360	GROMMET PLASTIC, PERFECTO2	1
9	2000508	FESTESKRUE KONSENTRATOR SENSO2	1
10	1119595	(Kit Foam Base Plate AW) <i>Kit includes Right Inner, Right Outer and Left Out</i>	1
11	1131308	STRØMLEDNING KONSENTRATOR PLATINUM <i>Select Line cord as desired</i>	1
11	P21080	(Power Cord, UK) <i>Select Line cord as desired</i>	1
11	1443841	(Power Cord, Swiss) <i>Select Line cord as desired</i>	1

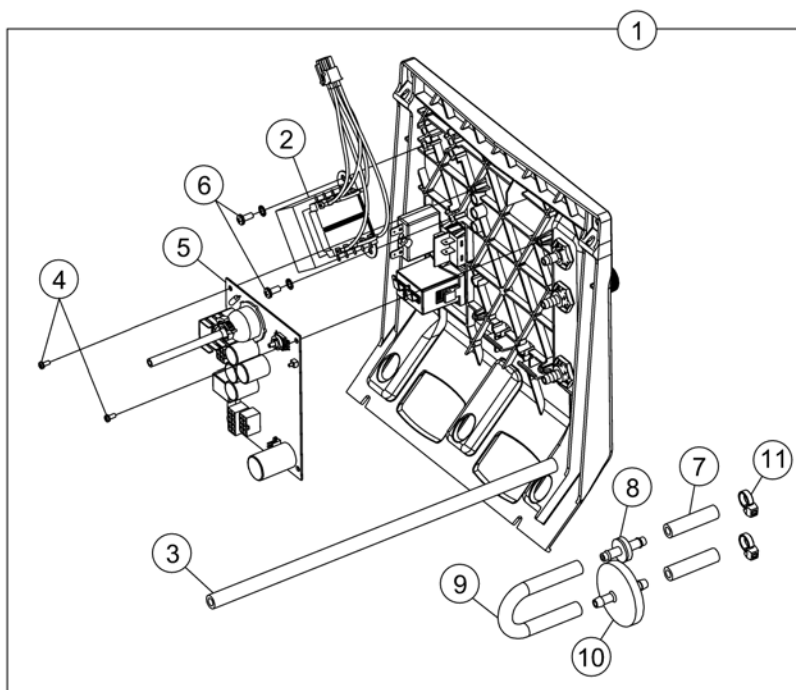




	1144268	KONTROLL PANEL FRONT/BAK KONSENTRATOR PLATINUM 9	1
1	1128404	(SCREW, 8-32 X .375 PH HX)	1
2	2000507	FESTEMUTTER 9/16 PERFECT O2	1
3	1110824	AUTOMATSIKRING PERFECTO2 4AMP	1
4	2002939	TIMETELLER KONSENTRATOR 02	1
5	1139950	STRØMBRYTER KONSENTRATOR O2	1
6	1143243	(Label, Text IRC9LXO2AWQ)	1
6	1148046	(Label, Text IRC9LXO2AWQ Control panel (Spanish))	1
6	1148047	(Label, Text IRC9LXO2AWQ Control panel (French))	1
6	1148048	(Label, Text IRC9LXO2AWQ Control panel (German))	1
6	1148049	(Label, Text IRC9LXO2AWQ Control panel (Port/Brazil))	1
6	1148050	ETIKETT KONSENTRATOR PLAT 9	1
6	1148051	(Label, Text IRC9LXO2AWQ Control panel (Finland))	1
6	1148052	(Label, Text IRC9LXO2AWQ Control panel (Danish))	1
6	1148053	(Label, Text IRC9LXO2AWQ Control panel (Italian))	1
6	1148054	(Label, Text IRC9LXO2AWQ Control panel (Polish))	1
6	1148055	(Label, Text IRC9LXO2AWQ Control panel (Czech))	1
6	1148056	(Label, Text IRC9LXO2AWQ Control panel (Greek))	1
6	1148057	(Label, Text IRC9LXO2AWQ Control panel (Dutch))	1
6	1148058	(Label, Text IRC9LXO2AWQ Control panel (Swedish))	1
7	1145871	FLOWMETER KONSENTRATOR PLATINUM 9	1
8	1180107	FIRE BREAK MESSING PERFECT O2	1
9	1140334	(LABEL, PRODUCT)	1
10	1101591	(Control Panel Support)	1
11	1112562	BESKYTTELSEHETTE KONSENT PLATINUM 5	1

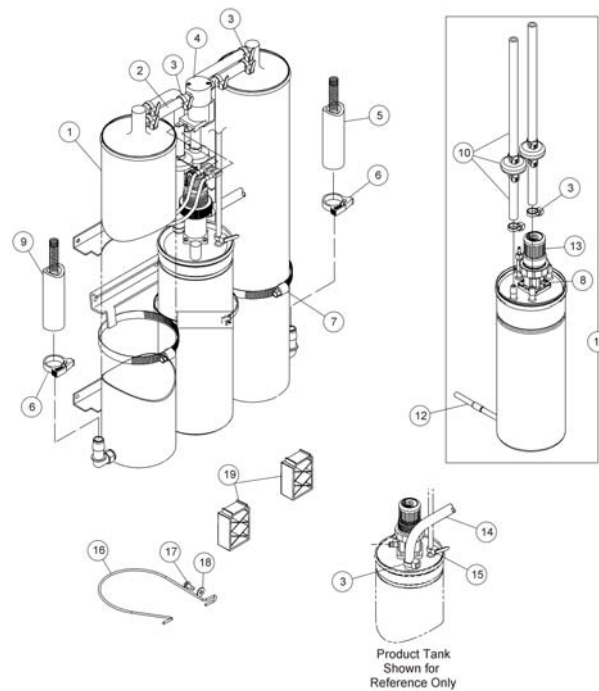
# Panel sett bakfra

1531091X.svgz



1	1144268	KONTROLL PANEL FRONT/BAK KONSENTRATOR PLATINUM 9 <i>Includes Control Panel with 1-11 (Front View) and 2-9 (Rear View)</i>	1
2	1105391	(Assembly, LXA Transformer) <i>Kit includes Transformer, Nuts and Insulator.</i>	1
3	1108809	SLANGE 1/4 X 12-3/4" PERFECT O2	1
4	1146149	(Cscrow, Phillips Pan Hea)	1
5	1157161	PRINTKORT PANEL PLATINUM9 <i>Use after 11DSZ470022</i>	1
5	1128742	(ASM, 10L CONTROL) <i>Use before 11DSZ470021</i>	1
6	1102696	(Screw, Phillips Pan head (8-32 x 3/8"))	1
7	1110473	(TUBING, TYGON 1.75)	1
8	2000460	(Check Valve)	1
9	1143144	SLANGE 5.00 PERFECT O2	1
10	P0750X030	FILTER BAKTERIE (HEPA) KONSENTRATOR O2	1
11	2001682	KABELBINDER KONSENTRATOR O2	1
	1121280	(Wire Harness, 10 Pin NEC)	1

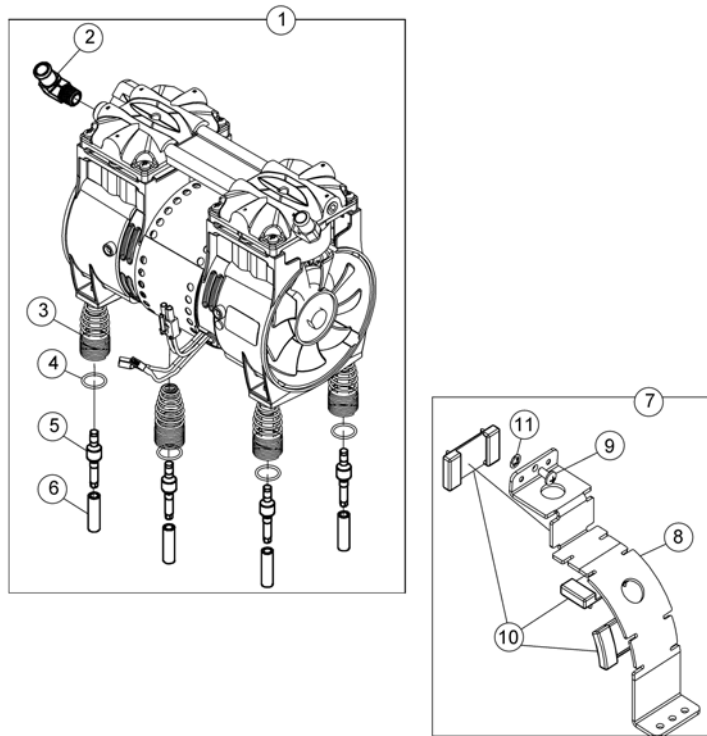
## Sieve Bed og produksjonstank



1	1144034	SIEVE BED KONSENTRATOR PLATINUM 9 <i>Includes Sieve Beds, Tie Wraps &amp; Hose Clamps</i>	1
2	1110774	SLANGE KONSENTRATOR 7CM PERFECT O2	1
3	2001682	KABELBINDER KONSENTRATOR O2	1
4	2001656	P E VENTIL OKSYGEN <i>Includes Valve, Tubing and Tie Wraps.</i>	1
5	1108783	(Tubing (1/2 x 23"))	1
6	2001652	(Pipe Clamp)	1
7	1002807	(Clamp, Hose)	1
8	1075666	SKRUE REGULATOR 8-32x3/8 KONSENTRATOR PLAT	1
9	1108784	(Tubing (1/2 x 20-1/4"))	1
10	1104310	\$KONTROLLVENTIL LUFTTILFØRSEL OKSYGEN <i>Includes Tubing, Check valve and Tie Wraps</i>	1
11	1130675	PRODUKTTANK ASSEMBLY PLATINUM 9 OKSYGEN <i>Includes Product Tank, Cap with O-Ring, Snap Ring For Platinum 9 mfg after July 2008 also order 1116433</i>	1
12	1116433	(HomeFill II Tubing Assembly) <i>Includes Fitting, Tube, Restrictor and Filter.</i>	1
13	1179672	(Regulator Kit for Concentrator) <i>replaces 1130066</i>	1
14	1108809	SLANGE 1/4 X 12-3/4" PERFECT O2	1
15	1070050	KABELBINDER KONSENTRATOR PLATINUM S	1
16	1154223	(Sieve Bed Restraint)	1
17	1128404	(SCREW, 8-32 X .375 PH HX)	1
19	1154224	(Sieve Bed Support)	1

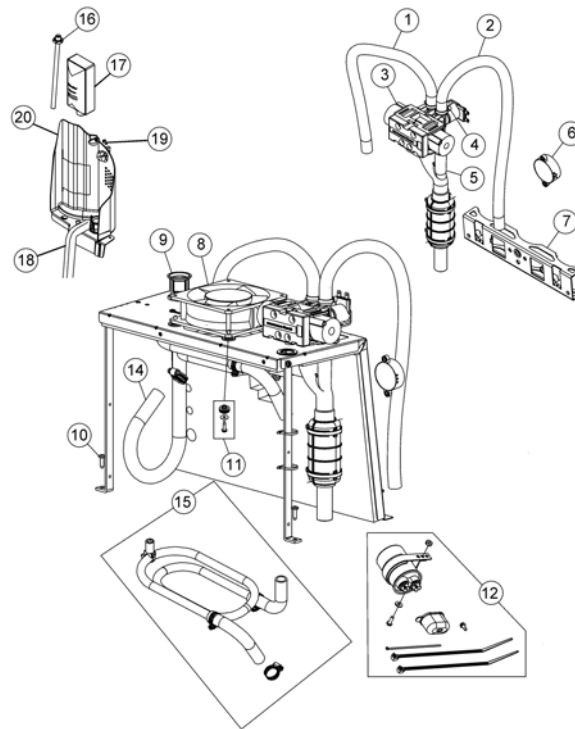
# Kompressor

1531093X.SVGZ



1	1146313	KOMPRESSOR KONSENTRATOR PLATINUM 9 <i>Includes Items 2-6</i>	1
2	1108819	(Fitting, Elbow (1/2" Beaded Hose x 1/4" NPT) Beaded)	1
3	1150581	KOMPRESSOR FJÆRING KONSENTRATOR PLATINUM	1
4	1119596	(O-RING, .81 IDX1.00 OD)	1
5	1150580	(Bolt for compressor)	1
6	1107411	(Grid, Pin)	1
7	1108092	(Kit, Compressor Restraint Bracket) <i>Includes Items 8-11</i>	1
8	1107406	(Bracket, Compressor Restraint)	1
9	1128406	(SCREW, 1/4-20X.75 PH HX W)	1
10	1108824	(Bumper, Bracket)	1
11	1108740	(Retainer, Push(1/4"))	1
	1153687	KOMPRESSOR REBUILD KIT PLAT 9	1

## Lydboks og manifold



1	1108783	(Tubing (1/2 x 23"))	1
2	1108784	(Tubing (1/2 x 20-1/4"))	1
3	1101141	VENTIL 4 VEIS MED SKRUER TIL KONSENTRATORER	1
4	2001682	KABELBINDER KONSENTRATOR O2	1
5	1136945	MUFFLER KONSENTRATOR PLATINUM	1
6	2001765	(Harness, Horn/Alarm)	1
7	1125477	(BRACKET, SOUNDBOX)	1
8	1071657	VENTILATOR KONSENTRATOR PLATINUM 9	1
9	1106675	INNTAKSFILTER KONSENTRATOR PLATINUM	1
10	1108810	(Screw (10-16 x 5/8"))	1
11	1141964	(Kit, Fan mounting Hard- ware) <i>Includes 4 each of Grommets, Washers &amp; Screws</i>	1
12	1099804	KONDENSATOR 10 MFD PERFECT O2 <i>replaces item 1141835 and 1146838</i>	1
14	1112561	(Tube, Compressor Inlet K)	1
15	1108817	VARMEUTVEKLSER KONSENTRATOR PLATINUM 9	1
16	1110768	SLANGE TIL LUFTFUKTER KONSENTRATOR	1
17	1131249	FILTER INNTAK BAKTERIE KONSENTRATOR O2 / PLAT S	1
18	2000812	(Seal, Foam)	1
19	1128404	(SCREW, 8-32 X .375 PH HX)	1
20	1115183	(Partition)	1
	1136944	(ASM, MANIF/VL/MUFF)	1

# Tilbehør

1527156X.jpg



1	M3210	OKSYGENMASKE	1
2	M3117	NESEKATETER VOKSEN MICRO 2,1 M LEDNING	1
2	M3115	NESEKATETER VOKSEN MICRO 2,1 M	1
2	1498231	(Cannula, Adult (Salter 1056) for HomeFill 2)	1
2	1524235	NESEKATETER HIGH FLOW 1,2M	1
2	M3120	NESEKATETER VOKSEN 2,1 M	1
2	1524236	NESEKATETER VOKSEN 2,1 HIGH FLOW PLAT 9	1
2	1509581	KANYLE HIGH FLOW VOKSEN	1
2	M3110	NESEKATETER VOKSEN QUIET 8 M LEDNING	1
2	M3122	NESEKATETER SPEBARN	1
2	M3121	NESEKATETER BARN	1
3	1513831	SLANGE STRATOS PRO 2,1 M	1
3	M4150	SLANGE 4,5M KONSENTRATOR	1
3	M4250	SLANGE 7,6M KONSENTRATOR	1
3	M1522	SLANGE 15,2M KONSENTRATOR	1
6	M4610	UNIVERSALKOBLING OKSYGEN	1
7	M4650	SLANGE KOBLING OKSYGEN	1
8	M1523	KONDENSERINGSRØR OKSYGEN	1
9	M1220	SKJØTESTYKKE ROTERENDE OKSYGEN HAN-HAN	1
10	M1225	SKJØTESTYKKE ROTERENDE OKSYGEN HAN-HUN	1
11	M1222	SKJØTESTYKKE ROTERENDE OKSYGEN HAN-HAN SART CLI	1
12	M1221	SKJØTESTYKKE ROTERENDE OKSYGEN HAN-HAN UNIVERSA	1
13	M1521	HOLDER FOR FUKTFLASKE OKSYGEN	1
14	M5120	FUKTEFLASKE KONSENTRATOR SENS O2	1
14	1509582	(High-Flow Humidifier w/ 6PSI Pressure Relief Val)	1
	1110768	SLANGE TIL LUFTFUKTER KONSENTRATOR	1
	M5000P	(Filter Kit (5.000 Operating hours) Platinum) <i>Includes: 2 x 1107412, 1131249 &amp; P0750X030</i>	1
	M1001NP	(Refurbishment Invacare5-O2-Platinum) <i>Includes M3120, M3210, M5120, 2000799 &amp; M5000P</i>	1
	1527501-M5PO2	(Filter Kit (5.000 Operating hours) PO2 and POV2) <i>Includes: 1143492 &amp; 1131249</i>	1

---

1527501-M1NPO2 (Refurbishment Kit PO2 and PO2V)  
*Includes: 1143492, 1110768, M3120, M5120 & 1131249*

1



Yes, you can.®



---

**Belgium & Luxemburg:**

Invacare nv, Autobaan 22, B-8210 Loppem  
Tel: (32) (0)50 83 10 10, Fax: (32) (0)50 83 10 11  
belgium@invacare.com / www.invacare.be

**Denmark:**

Invacare A/S, Sdr. Ringvej 37, DK-2605 Brøndby  
Tel: (45) (0)36 90 00 00, Fax: (45) (0)36 90 00 01  
denmark@invacare.com / www.invacare.dk

**Deutschland:**

Invacare Aquatec GmbH, Alemannenstraße 10, D-88316 Isny  
Tel: (49) (0)75 62 7 00 0, Fax: (49) (0)75 62 7 00 66  
info@invacare-aquatec.com / www.invacare-aquatec.de

**European Distributor Organisation:**

Invacare, Kleiststraße 49, D-32457 Porta Westfalica  
Tel: (49) (0)57 31 754 540, Fax: (49) (0)57 31 754 541  
edo@invacare.com / www.invacare.eu.com

**España:**

Invacare SA, c/Areny s/n, Polígon Industrial de Celrà, E-17460 Celrà (Girona)  
Tel: (34) (0)972 49 32 00, Fax: (34) (0)972 49 32 20  
contactsp@invacare.com / www.invacare.es

**France:**

Invacare Poirier SAS, Route de St Roch, F-37230 Fondettes  
Tel: (33) (0)2 47 62 64 66, Fax: (33) (0)2 47 42 12 24  
contactfr@invacare.com / www.invacare.fr

**Ireland:**

Invacare Ireland Ltd, Unit 5 Seatown Business Campus, Seatown Road, Swords, County Dublin - Ireland  
Tel: (353) 1 810 7084, Fax: (353) 1 810 7085  
ireland@invacare.com / www.invacare.ie

**Italia:**

Invacare Mecc San s.r.l., Via dei Pini 62, I-36016 Thiene (VI)  
Tel: (39) 0445 38 00 59, Fax: (39) 0445 38 00 34  
italia@invacare.com / www.invacare.it

**Nederland:**

Invacare BV, Celsiusstraat 46, NL-6716 BZ Ede  
Tel: (31) (0)318 695 757, Fax: (31) (0)318 695 758  
nederland@invacare.com, csede@invacare.com / www.invacare.nl

**Norge:**

Invacare AS, Grensesvingen 9, Postboks 6230, Etterstad, N-0603 Oslo  
Tel: (47) (0)22 57 95 00, Fax: (47) (0)22 57 95 01  
norway@invacare.com, island@invacare.com / www.invacare.no

**Österreich:**

Invacare Austria GmbH, Herzog Odilostrasse 101, A-5310 Mondsee  
Tel: (43) 6232 5535 0, Fax: (43) 6232 5535 4  
info-austria@invacare.com / www.invacare.at

**Portugal:**

Invacare Lda, Rua Estrada Velha, 949, P-4465-784 Leça do Balio  
Tel: (351) (0)225 1059 46/47, Fax: (351) (0)225 1057 39  
portugal@invacare.com / www.invacare.pt

**Sverige & Suomi:**

Invacare AB, Fagerstagatan 9, S-163 91 Spånga  
Tel: (46) (0)8 761 70 90, Fax: (46) (0)8 761 81 08  
sweden@invacare.com, finland@invacare.com / www.invacare.se

**Switzerland:**

Invacare AG, Benkenstrasse 260, CH-4108 Witterswil  
Tel: (41) (0)61 487 70 80, Fax: (41) (0)61 487 70 81  
switzerland@invacare.com / www.invacare.ch

**United Kingdom:**

Invacare Limited, Pencoed Technology Park, Pencoed, Bridgend CF35 5AQ  
Switchboard Tel: (44) (0)1656 776200, Fax: (44) (0)1656 776201  
Customer services Tel: (44) (0)1656 776222, Fax: (44) (0)1656 776220  
uk@invacare.com / www.invacare.co.uk