

Invacare® Soft Tilt



en	Accessory for Invacare® Nordbed Optimo and Ultra User Manual	3
da	Tilbehør til Invacare® Nordbed Optimo and Ultra Brugsanvisning	26
fi	Lisävaruste Invacare® Nordbed Optimo and Ultra Käyttöohje	49
nl	Accessoire voor Invacare® Nordbed Optimo and Ultra Gebruiksaanwijzing.....	72
no	Tilbehør for Invacare® Nordbed Optimo and Ultra Bruksanvisning.....	95
sv	Tillbehör till Invacare® Nordbed Optimo and Ultra Bruksanvisning.....	117



This manual MUST be given to the user of the product.
BEFORE using this product, read this manual and save for
future reference.



Yes, you can.

©2019 Invacare Corporation

All rights reserved. Republication, duplication or modification in whole or in part is prohibited without prior written permission from Invacare. Trademarks are identified by TM and ®. All trademarks are owned by or licensed to Invacare Corporation or its subsidiaries unless otherwise noted.

—
Alle rettigheder forbeholdes. Hel eller delvis gengivelse, kopiering eller ændring er forbudt uden forudgående skriftlig tilladelse fra Invacare. Varemærker er markeret med TM og ®. Alle varemærker ejes af eller er givet i licens til Invacare Corporation eller denne virksomheds filialer, medmindre andet fremgår.

—
Kaikki oikeudet pidätetään. Koko materiaalin tai sen osan uudelleenjulkaisu, jäljentäminen tai muuttaminen on kiellettyä ilman Invacaren etukäteen antamaa kirjallista lupaa. Tavaramerkit ilmaistaan symboleilla TM ja ®. Kaikki tavaramerkit ovat Invacare Corporationin tai sen tytäryhtiöiden omistamia tai lisensoimia, ellei toisin ole ilmoitettu.

—
Alle rechten voorbehouden. Herpublicatie, duplicatie of gehele of gedeeltelijke wijziging is verboden zonder voorafgaande schriftelijke toestemming van Invacare. Handelsmerken zijn te herkennen aan TM en ®. Alle handelsmerken zijn eigendom van of gelicentieerd aan Invacare Corporation of haar dochterondernemingen, tenzij anders aangegeven.

—
Med enerett. Det er forbudt å republisere, kopiere eller endre hele eller deler av denne veiledningen uten at det på forhånd er innhentet skriftlig tillatelse fra Invacare. Varemerker angis med TM og ®. Alle varemerker eies av eller lisensieres til Invacare Corporation eller tilhørende datterselskaper med mindre annet er angitt.

—
Med ensamrätt. Innehållet får inte ges ut på nytt, mångfaldigas eller förändras helt eller delvis utan föregående skriftligt tillstånd från Invacare. Varumärken betecknas med TM och ®. Samtliga varumärken tillhör eller är licensierade till Invacare Corporation eller dess dotterbolag om ingenting annat anges.

Contents

This manual MUST be given to the user of the product.
BEFORE using this product, read this manual and save for future reference.

1 General	4
1.1 Introduction	4
1.1.1 Definitions	4
1.2 Symbols in this document	4
1.3 Intended use	4
1.4 Service life	4
1.5 Warranty information	4
1.6 Limitation of liability	4
1.7 Compliance	5
2 Safety	5
2.1 General safety information	5
2.2 Labels and symbols on the product	6
2.2.1 Product label	6
2.2.2 Other labels and symbols	6
3 Setup	7
3.1 General Safety Information	7
3.2 Scope of delivery	7
3.3 Mounting the Soft Tilt	7
4 Usage	10
4.1 General Safety Information	10
4.2 Overview	10
4.3 Control Box and Hand Control	10
4.4 On/Off and Reset function	10
4.5 Emergency Stop	11
4.6 Manual operation	11
4.6.1 Recommended Procedures	11
4.7 Automatic operation	11
4.7.1 Auto program sequence	12
4.7.2 Pause automatic operation	12
4.8 Charging the battery	12
4.9 Emergency release of the wing	12
5 Programming	13
5.1 Individually defined programs	13
5.2 How to program the individual automated programs	14
5.3 Program examples for automated pressure relief	16
6 Maintenance	17
6.1 General Maintenance Information	17
6.2 Cleaning and disinfection	17
6.3 Battery	17
7 After Use	18
7.1 Disposal	18
7.2 Reconditioning	18
8 Troubleshooting	19
8.1 Troubleshooting the electrical system	19
8.2 Programming Errors	20
9 Technical Data	21
9.1 Characteristics	21
9.2 Weights	21
9.3 Allowed mattress sizes	21
9.4 Environmental conditions	21
9.5 Electrical system	22
10 Electromagnetic compatibility (EMC)	23
10.1 General EMC Information	23
10.2 Electromagnetic emission	23
10.3 Electromagnetic Immunity	23
10.3.1 Test specifications for immunity to RF wireless communications equipment	24

1 General

1.1 Introduction

This document belongs to an Invacare accessory and it contains important information about handling and assembly. To ensure safety when using the product, read the user manual of the related product carefully and follow the safety instructions.

Find the user manual on Invacare's website or contact your Invacare representative. See addresses at the end of this document. Invacare reserves the right to alter product specifications without further notice.

Before reading this document, make sure you have the latest version. You find the latest version as a PDF on the Invacare website.

If you find that the font size in the printed document is difficult to read, you can download the PDF version from the website. The PDF can then be scaled on screen to a font size that is more comfortable for you.

In case of a serious incident with the product, you should inform the manufacturer and the competent authority in your country.

1.1.1 Definitions

All references to left and right are based on a person lying on his back in the bed, with his head in the head end.

1.2 Symbols in this document

Symbols and signal words are used in this document and apply to hazards or unsafe practices which could result in personal injury or property damage. See the information below for definitions of the signal words.



WARNING
Indicates a hazardous situation that could result in serious injury or death if it is not avoided.



CAUTION
Indicates a hazardous situation that could result in minor or slight injury if it is not avoided.



IMPORTANT
Indicates a hazardous situation that could result in damage to property if it is not avoided.



Tips and Recommendations
Gives useful tips, recommendations and information for efficient, trouble-free use.

1.3 Intended use

The Soft Tilt and control unit is intended to be used only in conjunction with the 90 cm wide Invacare® Nordbed Optimo and Ultra beds, equipped with side rails in an appropriate height (see chart in *9 Technical Data, page 21*), side rail covers and castellated foam mattress (see size chart *9 Technical Data, page 21*)

- As a part of an overall pressure ulcer prevention programme of care.
- To move bedridden end-users to lay on left or right side or on the back.
- Support the end-user in getting in and out of bed.

- When used in the "automatic" mode it has been designed to provide pressure reduction to end-users.
- When used in the "manual" mode it is designed to support the care staff in turning the end-user from side to side in the bed.
- It is suitable for use in all home care, residential and nursing care settings.
- It is suitable only for indoors use.

Indications

The intended patient group for Soft Tilt is:

- Bedridden immobile/partially immobile adult end-users.
- Who needs pressure care.
- Who needs to be nursed in the care bed such as personal hygiene, dressing etc. This group of end users will often be transferred from bed to chair using a lifter or manually supported by care staff in combination with a technical aid such as a rollator.

Contraindications

The Soft Tilt is not intended for psychiatric, restless or anxious end-users or persons with spasm.

Precautions

- Before Soft Tilt is used it is important to evaluate, if Soft Tilt is suitable for the actual end-user.
- For security reasons the end-user must not operate Soft Tilt themselves.



WARNING!

Any other or incorrect use could lead to hazardous situations. Invacare accepts no liability for any use, change or assembly of the product, other than stated in this user manual.

1.4 Service life

The expected service life of this product is five years when used daily and in accordance with the safety instructions, maintenance intervals and correct use, stated in this manual. The effective service life can vary according to frequency and intensity of use.

1.5 Warranty information

We provide a manufacturer's warranty for the product in accordance with our General Terms and Conditions of Business in the respective countries.

Warranty claims can only be made through the provider from whom the product was obtained.

1.6 Limitation of liability

Invacare accepts no liability for damage arising from:

- Non-compliance with the user manual
- Incorrect use
- Natural wear and tear
- Incorrect assembly or set-up by the purchaser or a third party
- Technical modifications
- Unauthorized modifications and/or use of unsuitable spare parts

1.7 Compliance

This product features the CE mark, in compliance with the Medical Device Regulation 2017/745 Class 1. The launch date of this product is stated in the CE declaration of conformity.

2 Safety

2.1 General safety information



WARNING!

Compatibility with Invacare® Nordbed Optimo and Ultra beds only

This Soft Tilt version is specially designed and must only be used in conjunction with the 90 cm wide Invacare® Nordbed Optimo and Ultra beds.



WARNING!

Risk of falling

If the Soft Tilt is used without or with the wrong side rails, there is a risk for the end-user to fall out of the bed.

- Never use the Soft Tilt on a bed without side rails.
- Only use the Soft Tilt in combination with Invacare side rails listed in *9 Technical Data, page 21*.
- Always make sure the side rail is up in the opposite site of where the care staff is placed OR one care staff is placed on each side of the bed, when the manual mode is used.
- Always make sure both side rails are up, when the automatic mode is activated.



WARNING!

Risk of squeezing and/or suffocation

If the side rails are used without a cover or with a non-breathable cover, there is a risk of squeezing and/or suffocation for the end-user.

- Always use a breathable cover for the side rails when using the Soft Tilt.



WARNING!

Risk of falling and/or squeezing

- Always perform a risk assessment of the end-user's condition and ability of moving.
- Never use the Soft Tilt if the end-user is anxious or restless.
- Always make sure the end-user is placed in the middle of the bed and all body parts are on the mattress before the wings are moved.
- Never leave the end-user unattended when the manual mode is used.
- The end-user must never get in or out of the bed while the wings are moved manually or the automatic mode is activated.
- The hand control must always be used by care giver.



WARNING!

Risk of injury or damage to property

Inappropriate handling of cables can cause electrical shock and product failure.

- Do not kink, shear or otherwise damage the main power cord.
- Do not roll the castors over the main power cord.
- Do not bring main power cord into moving parts.
- Disconnect the plug from the mains before moving the bed.
- Make sure that no cables (mains or from other equipment) are jammed or damaged, when the bed is used.
- Keep bed components and accessories at least 30 cm away from a heated surface and not in direct sunlight.

Mattresses



WARNING!

Safety aspects regarding combination of side rails and mattresses:

To get the highest possible safety level, when using side rails on the bed, the minimum and maximum measures for mattresses, must be respected.

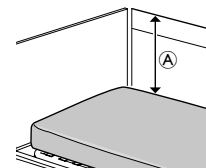
- For correct mattress measures see mattress tables in chapter *9 Technical Data, page 21*.



WARNING!

Risk of entrapment and/or suffocation

- The end-user could get trapped and/or suffocate, if the horizontal space, between the mattress side and the inside of the side rail, is too big. Follow the minimum width (and length) of mattresses in combination with a side rail, as stated in the mattress table in chapter *9 Technical Data, page 21*.
- Be aware that using very thick or soft mattresses (low density), or a combination of these, increases the risk.



WARNING!

Risk of falling

The end-user can fall over the edge and get seriously injured, if the vertical distance \textcircled{A} between the top of the mattress and the edge of the side rail/bed end, is too short. See image above.

- Always keep a minimum distance \textcircled{A} of 22 cm on the side of the wing the user is lying on (secondary wing elevated to max. 12°).
- Follow the maximum mattress height in combination with the side rail as stated in the mattress table in chapter *9 Technical Data, page 21*.

Electromagnetic interference



WARNING!

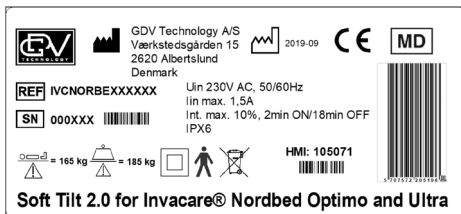
Risk of malfunction due to electromagnetic interference

Electromagnetic interference between this product and other electrical equipment can occur and disturb the electrical adjustment functions of this product. To prevent, reduce or eliminate such electromagnetic interference:

- Only use original cables, accessories and spare parts, to not increase electromagnetic emission or reduce electromagnetic immunity of this product.
- Do not use portable radio frequency (RF) communications equipment closer than 30 cm to any part of this product (including cables).
- Do not use this product near active high-frequency surgical equipment and the RF shielded room of a system for magnetic resonance imaging, where the intensity of electromagnetic disturbances is high.
- If disturbances occur, increase the distance between this product and the other equipment or switch it off.
- Refer to the detailed information and follow the guidance in chapter 10 *Electromagnetic compatibility (EMC), page 23.*

2.2 Labels and symbols on the product

2.2.1 Product label



The product label is placed on the main module of the Soft Tilt and contains the main product information, including technical data.

Symbol

	Serial Number
	Reference Number
	Manufacturer Address
	Manufacturing Date
	Max. User Weight
	Max. Safe Working Load
	Type B Applied Part
	WEEE conform
	European conformity
	Medical device
	Insulation Class 2
	Recyclable battery

Abbreviations for technical data:

- Iin = Incoming Current
- Uin = Incoming Voltage
- Int. = Intermittence
- AC = Alternating Current
- Max = maximum
- min = minutes

For more information about technical data, refer to 9 *Technical Data, page 21.*

2.2.2 Other labels and symbols

	Read carefully the user manual before using this product and follow all instructions for safety and use.
	Indicates the correct placement and orientation of the Soft Tilt® main module on the bed. See 3.3 <i>Mounting the Soft Tilt (Mounting the main module), page 7.</i>
	Indicates the correct placement of the head and foot arms to the main module. See 3.3 <i>Mounting the Soft Tilt (Mounting the arms and cover), page 9.</i>
	Indicates the correct placement of the cover on the Soft Tilt®. See 3.3 <i>Mounting the Soft Tilt (Mounting the arms and cover), page 9.</i>

3 Setup

3.1 General safety information

When you receive the product, check the packaging. If the packaging shows any signs of damage upon delivery, contact the shipping company.



WARNING!

Risk of injury or damage to property

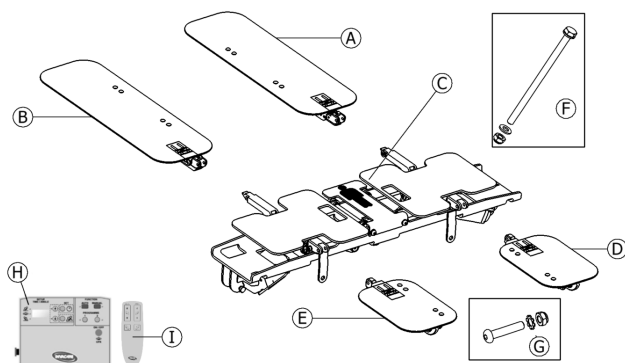
The assembly and installation must be done by authorized or trained personnel.

- This Soft Tilt version is specially designed and must only be used in conjunction with the 90 cm wide Invacare® Nordbed Optimo and Ultra beds.
- Follow instructions carefully. If you have any question regarding the assembly, contact your local dealer or Invacare representative.
- If the product shows any sign of damages, do not use the product. Contact your local dealer or Invacare representative.
- The electrical equipment of the product must not be dismantled or combined with other electrical equipment.
- After each assembly, check that all fittings are properly tightened and that all parts have the correct function.

3.2 Scope of delivery

The Soft Tilt is delivered partially assembled in a cardboard box.

Main Parts



- Ⓐ Head end arm of left wing
- Ⓑ Head end arm of right wing
- Ⓒ Main module (pre-assembled unit)
- Ⓓ Foot end arm of left wing
- Ⓔ Foot end arm of right wing
- Ⓕ 2 sets: Carriage-bolt, washer and lock nut
- Ⓖ 4 sets: Allen-bolt, washer and lock nut
- Ⓗ Control Box
- Ⓘ Hand Control

Textile cover (not show in image)

3.3 Mounting the Soft Tilt

Mounting the main module



WARNING!

Risk of injury or damage to property

Holding the main module at wrong parts while lifting, can cause product damage or injury.

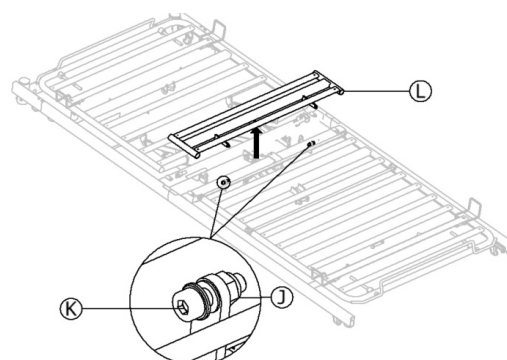
- Only hold the main module at the cover plates of the wings or the mounting brackets on the base frame, where the lift here stickers are placed.
- Do not hold on the middle cover plate.



WARNING!

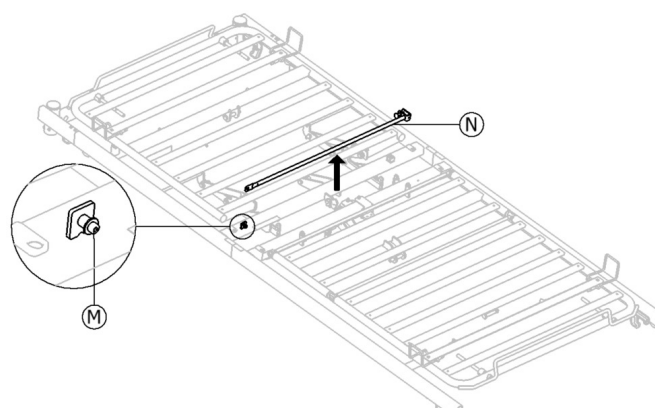
Make sure the bed is connected correctly in the middle and is leveled (180°).

1.
 - a.



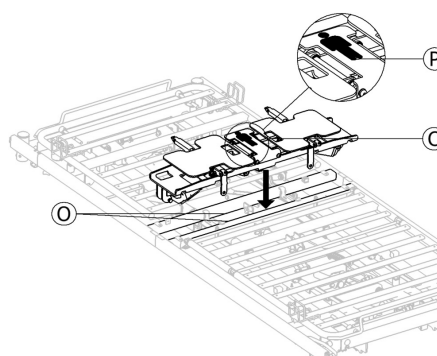
On each side of the bed, remove the nut Ⓧ and bolt ⓚ using one 13 mm key and 6 mm Allen key to remove the slats assembly Ⓛ from the bed, and keep all parts available for remounting, when the Soft Tilt is removed again from the bed.

1.
 - b.



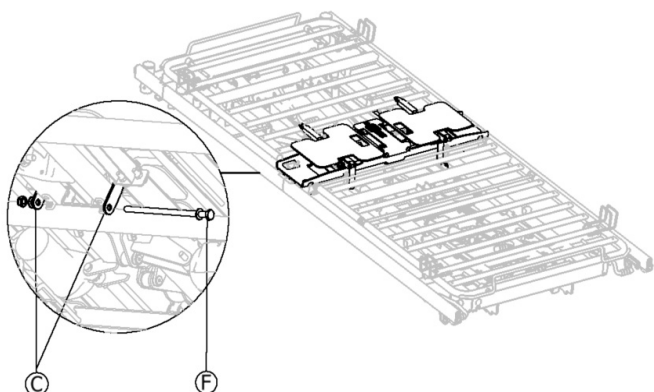
Remove the bolt Ⓜ and the nut using a 3 mm Allen key and a 7 mm key, to remove the rod Ⓝ from the bed, and keep all parts available for remounting, when the Soft Tilt is removed again from the bed.

- 2.



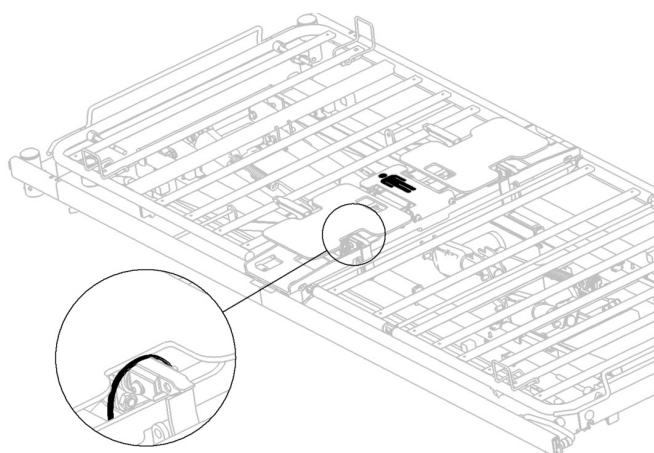
Place the main module ③ onto the crossbars ④, following the symbol represented in the zoomed image ⑤. Head facing towards the head end of the bed and feet towards the foot end of the bed.

3.



Fix the main module onto the crossbars of the mattress support frame, by placing the carriage-bolt ⑥, trough the designated bracket on the main module ③, washer and nut, from underneath on both sides of the bed.

4.



Cut all the zip ties to release the wings, before you start the motors. Make sure new zip ties are placed in the same location when the main module is to be removed from the bed.

Wiring

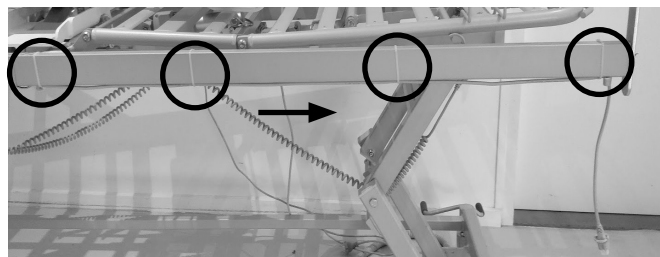
The control box and hand control is to be hung at the footboard.



Connections at the control box

- ① Power supply
- ② Hand control
- ③ Right motor
- ④ Left motor

1.



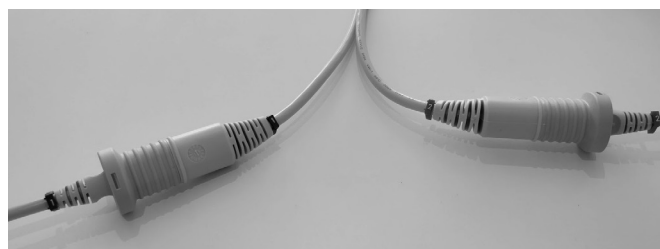
Run the motor cable underneath the bed frame toward the foot end (indicated by the arrow in the image), on both sides of the bed and fix each of the cables with zip ties onto the frame tube. Ensure that both motor cables are tighten with zip ties (marked by the circles in the picture), first zip tie near the motor and the last 3 on the frame tube toward the foot end. Make sure the end of the zip ties, are not facing outwards from the bed frame.

2.



Connect the hand control to cable ③ and connect the power cable ① to the mains. The hand control cable is marked ③ on the cable clip corresponding to ③ on the control box cable.

3.



Connect the cables of the right and left motor to the two extension cables ⑤ and ⑥ from the control box. The right motor cable is marked ① on the cable clip corresponding to ① on the cable from the control box and the left motor cable is marked ② on the cable clip corresponding to ② on the control box cable. Deactivate the emergency stop, turn the system on, activate manual mode and use the hand control to check that the left and right motor are correctly connected to the control box (see chapter *Usage* for detailed instructions).

- ⓘ Ensure that all cables run underneath the bed frame tubes and move the bed all the way up and down to ensure no cables are getting squeezed.

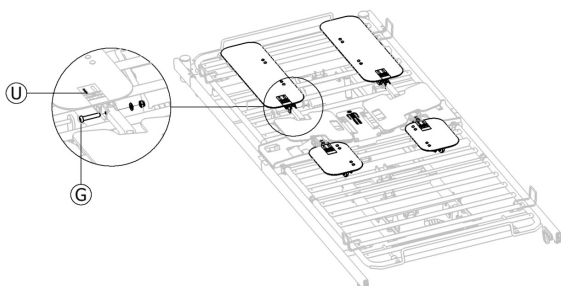
4.



Collect the motor cables in a bundle and tighten it with a zip tie, move the bed up and down to make sure that the bundle is not clinging on any bed parts and moves freely.

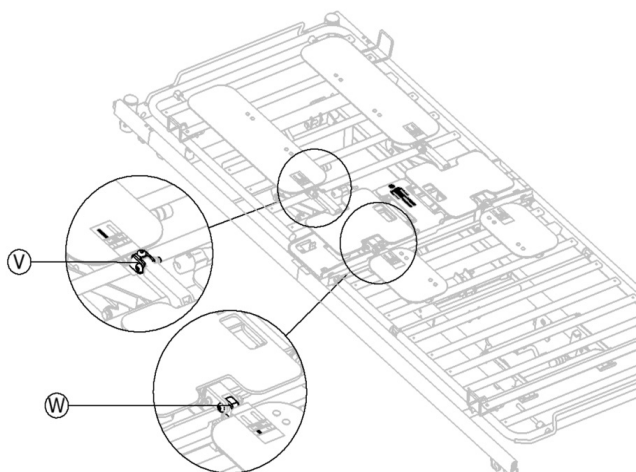
Mounting the arms and cover

1. Ensure both wings of the main module are slightly elevated, so the connections for the arms are accessible.
- 2.



Connect the four arms with the main module, following the representation on the arms label shown in the zoomed image **U**, the black shaded area on the sticker represents the location where the arm must be placed. Fix the four arms with the Allen bolts from set **G** and tighten the lock nuts facing inwards. Ensure the safety washers are placed on the lock nut side.

3.

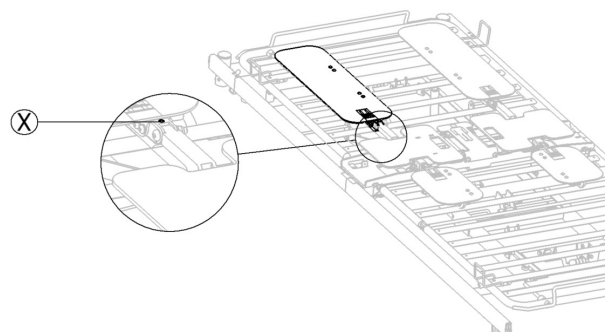


Ensure that the head arms are mounted on the telescopic bracket **V** in the first threaded hole and you are not able to see the remaining threaded holes. For the foot arms make sure the telescopic bracket **W**, is mounted on the first threaded hole, and you are not able to see the remaining threaded holes.

4.

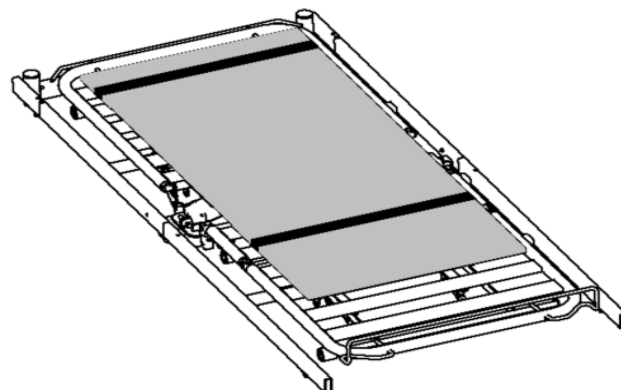
IMPORTANT!

- ! Before usage, adjust, with the patient weight into account, the position of the four arms for optimal lifting support. Ensure that the four arms still go in a horizontal position in flat mode.



To adjust the position of the arms adjust the bolt **X** until the arms are in a horizontal position.

5.



Mount the cover by sliding the pockets over the head end and foot end arms. The head end of the cover contains the label information and placement of the cover symbol:



Symbol indicating the head end of the cover.

IMPORTANT!

- ! The Soft Tilt must not be used without the cover.

6. Place and secure the mattress onto the Soft Tilt.
 - a. Release the Velcro fastener of both straps on the side of the cover and fold them away to the side.
 - b. Place the mattress onto the bed on top of the Soft Tilt (for compatible mattresses see *9 Technical Data, page 21*).
 - c. Guide the straps over the mattress and re-fix the Velcro fastener to tightly secure the mattress to the Soft Tilt.

4 Usage

4.1 General safety information



WARNING!

Risk of personal injury and damage to property.

- The bed must be placed so that the height adjustment is not obstructed by, for example, lifts or furniture.
- Take care that no body parts are being squeezed between fixed parts (such as side rails, bed ends etc) and moving parts.
- The hand control must not be used by children.
- The hand control must only be used by care giver.



IMPORTANT!

If a power failure occurs, the battery secures the possibility of resetting the Soft Tilt via the "ON/OFF" function.

- Make sure the battery is fully charged before using the Soft Tilt.
- Refer to Battery in the Maintenance section for further information.

4.2 Overview

The Soft Tilt can be operated either in manual or automatic mode.

In both modes it is possible to activate the normal functions of the bed.



It is recommend to have the head section slightly raised, while using the Soft Tilt, to provide a more comfortable position to the end-user.

Manual mode

The manual mode has been designed to support the care staff in turning the end-user from side to side in the bed.

The wings can be raised and lowered via the hand control (see section *Manual Operation*).

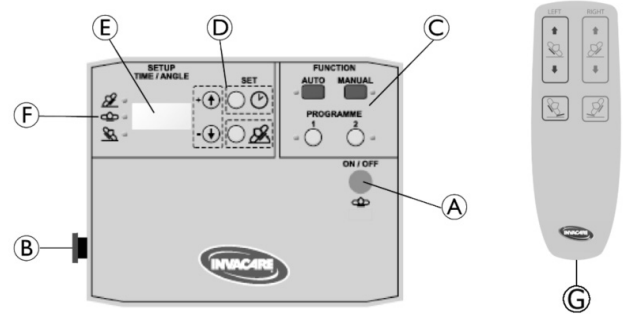
Automatic mode

The automatic mode has been designed to provide pressure reduction to end-users.

In the AUTO program, the wings will move automatically according to pre-defined parameters for time and angle (see section *Auto Program Sequence*).

In Program 1 and 2, the wings will move automatically according to individually defined parameters for time and angle (see chapter *Programming*).

4.3 Control Box and Hand Control



- (A) On/Off and Reset function button
- (B) Emergency stop button
- (C) Function buttons to choose the mode of operation.
- (D) Setup buttons to set the parameters for program 1 and 2
- (E) Display
- (F) Position indicators
- (G) Hand control

4.4 On/Off and Reset function

Turn the system on

1. Press and hold the button (A) for 3 sec. to turn the system on.

Reset function

The Reset function overrides all commands and moves both wings into a horizontal position.

1. To activate the Reset function press button (A) (without holding).

Turn the system off

1. Press the button (A) to reset the system and if applicable, wait until both wings moved into horizontal position.
2. Press and hold the button (A) for 3 sec. to turn the system off.

Display

System Status	Display	Note
OFF		Display blank
ON	Software version (3 digit number)	Displayed 2 sec. after system has been turned on (switches to passive mode if no function is selected).
ON	---	Passive mode (no function selected)
Reset	OFF	Displayed after the Reset function has been activated. The system subsequently switches to passive mode.

4.5 Emergency Stop

! IMPORTANT!

When the emergency stop is activated, the Reset function can still be activated, by pressing button (A), to lower the wings to horizontal position if required.

When the emergency stop is activated it stops all controls and movements immediately (wings will stay in current position).

1. To activate, push the button (B).
2. To deactivate, rotate the button (B) clockwise.
3. Press button (A) to reset the system.

4.6 Manual operation



WARNING!

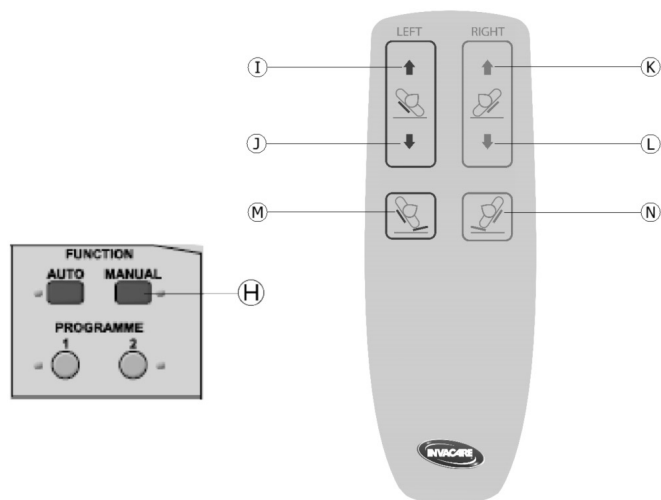
Risk of squeezing and injury

If both wings are simultaneously elevated to angles of more than 12° there is a risk of squeezing the patient.

- This option must only be used by trained personnel.



The first time MANUAL is activated, after the system has been switched on, it will reset itself before the function can be used.



1. Press and hold button (H) for 3 sec. to activate manual operation.
2. Press buttons on hand control as required.
 - To raise the left wing, press (I)
 - To lower the left wing, press (J)
 - To raise the right wing, press (K)
 - To lower the right wing, press (L)
 - To raise right wing from 0° to 80° and left wing from 0° to 5°, press (M)
 - To raise left wing from 0° to 80° and right wing from 0° to 5°, press (N)



- Left and right buttons can be activated at the same time to move both wings simultaneously. The wings can be moved in a range from 0° to 80°.

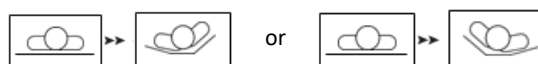
3. To deactivate manual operation, press the ON/OFF button (A).

Status indicators

Display	LED	Note
0 = no activity U01 = right wing moves up d01 = right wing moves down U01 = left wing moves up d01 = left wing moves down	MANUAL LED active	The numbers on the display represent the angle at which the wing is positioned, while the letters represent the direction of movement: - U = up movement. - d = down movement. - 01 = 1°

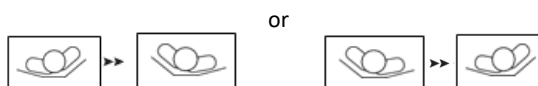
4.6.1 Recommended Procedures

Transfer from flat position to the side:



Press either (N) or (M) depending on which side the patient should be elevated to.

Transfer from one side to the other:



1. If left side is elevated - press and hold (N) to transfer from left to right side. Release button when desired height is maintained.
2. If right side is elevated - press and hold (M) to transfer from right to left side. Release button when desired height is maintained.

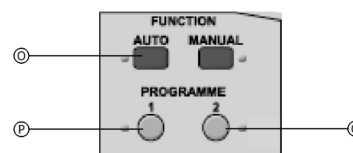
4.7 Automatic operation

The AUTO program is pre-defined and can not be changed.


Program 1 and 2 can be individually defined by the care staff (see chapter *Programming*). Upon delivery the programs are empty and need to be defined before usage.




- If one of the programs is activated, the system will reset to FLAT position before starting the selected program.
- If a new program is selected while another program is active, the system will reset to FLAT position before starting the new program.



1. Press program buttons as required.
 - To start the AUTO Program, press and hold (O) for 3 sec.
 - To start Program 1, press and hold (P) for 3 sec.
 - To start Program 2, press and hold (Q) for 3 sec.

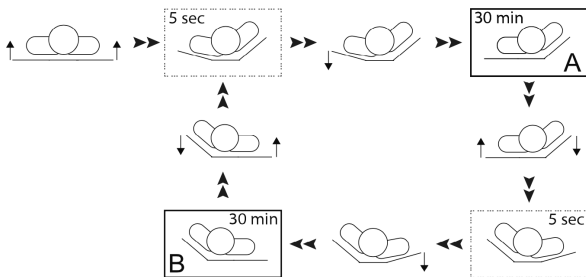
2. To stop a running program press the ON/OFF  button.

 The hand control will not work when a program is active.

Status indicators

Active Program	Display	LED	Note
AUTO	AU	AUTO LED active	
Program 1	P1	P1 LED active	
Program 2	P2	P2 LED active	
Timer	P1/XX and P2/XX		The display changes between the selected program and the time to the next reposition. -P1/01 = program 1 and 01 minute before next reposition. -P2/05= program 2 and 05 minutes before next reposition.


4.7.1 Auto program sequence

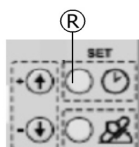


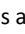

- Starting from the flat position, both wings immediately begin to raise simultaneously.
- Left wing stops at 12° and the right wing stops at 40°.
- 5 seconds after the right wing has reached 40° the left wing lowers to 0°.
- This position A is maintained for 30 minutes.
- Simultaneously the left wing begins to raise and the right wing begins to lower.
- The right wing stops at 12° and the left wing continue to raise up to 40°.
- 5 seconds after the left wing has reached 40° the right wing lowers to 0°.
- This position B is kept for 30 minutes.

The cycle will continue shifting between position A and B, until the program is stopped.

4.7.2 Pause automatic operation

 It is possible to pause an automatic operation and use the hand control as in manual mode.




1. Press and hold for 3 sec.  button, while an automatic program is running, the wings will move to the flat position. Now the manual mode can be used.
2. The activated program before the pause action, will proceed after 30 minutes of inactivity, 10 sec before the program starts a BEEP is heard, if the inactivity period should be extended press any button on the hand control after the BEEP.
3. If the automatic program should start again right away, press and hold  for 3 sec to activate.

4.8. Charging the battery

The battery is charging when the system is connected to the power supply and turned on.

Charging of the battery is indicated by a dot in the bottom right corner of the display.

The battery will be fully charged after 12 hours.

 The battery is NOT charging when error E03 or E04 occurs.

4.9 Emergency release of the wing

In case of a power or motor failure, an emergency release of the wing could be necessary.



CAUTION !

Risk of injury

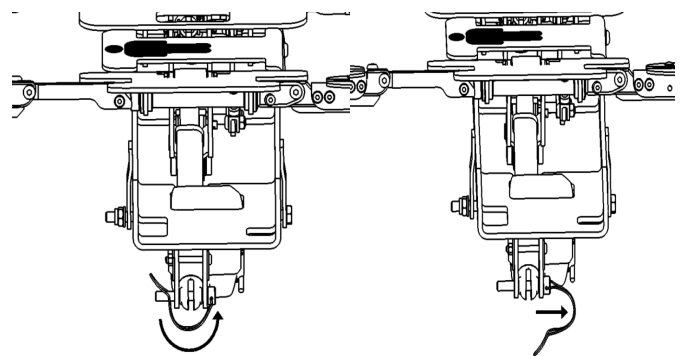
- A minimum of two persons is required for an emergency release of the wing.
- When releasing the wing it might lower fast. Keep clear the area under the wing and arms.



IMPORTANT!

- Before an emergency release of the wing, remove the plug from the mains socket.

1. Both persons hold the elevated wing.
2. One of them locates the motor pin in question and pulls out the safety pin.



3. After the pin is removed, the motor will slide out of the support and slowly lower the wing.

5 Programming

5.1 Individually defined programs

Program 1 and 2 can be individually defined by the care staff by setting the angles of the wings and the times for holding the different positions.

Defining angles

The angles of the left and right wing in the first side position can be defined individually. The second (opposite) side position will automatically be defined as a mirror image of the first side position.

- If the angle for one wing is set between 13°–40°, this wing will be defined as the “primary wing.”
- The opposite wing will then be defined as the “secondary wing” and limits its selectable angle values to 0°–12°.

Two options for the wing the end-user is laying on (e.g. left wing if the end-user is laying on the left side):

- If the angle of the secondary wing is set to 0° it will be elevated by 12° during the turn movement and move to a horizontal position 5 sec. after the primary wing has reached its set angle, so the end-user will rest on a flat secondary wing.
- If the angle value for the secondary wing is set between 1°–12° it will stay elevated at the selected angle in a side position and the end-user will rest on a elevated secondary wing.



WARNING!

Risk of falling

If the secondary wing stays elevated while the end-user is resting in a side position, the distance to the top of the side rail is decreased.

- Only use the side rails listed for this situation in 9 *Technical Data, page 21.*

Defining the time:

The times for the two side positions and the flat position can be defined individually between 000 and 180 minutes.



It is possible to select if flat position, left or right side should start right away.

If the time for one side position is set to 000 minutes:

- the program will start to transition from the flat position into the first position after the specified time.
- the program will only cycle between the flat and the other side position (e.g. flat-right-flat-right-...)

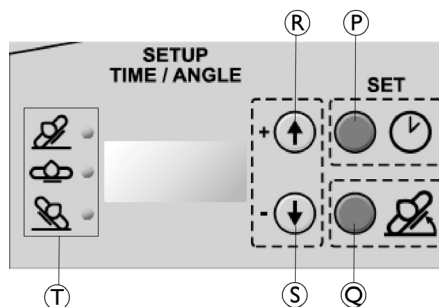
If the time for the flat position is set to 000 minutes:

- the program will start immediately after activation with the transition to the first side position.
- the program will only cycle between the two side position (e.g. left-right-left-right-...).

If the time value for the flat position is set between 3–180 minutes:

- the program will start to transition from the flat position into the first position after the specified time.
- the program will always move into a flat position between the two side positions (e.g. flat-right-flat-left-flat-right-...)











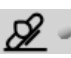









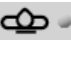


5.2 How to program the individual automated programs



- P Set time / Start programming mode button
- Q Set angle button
- R Adjust button Plus (increase values for time and angle)
- S Adjust button Minus (decrease values for time and angle)
- T Position indicators (LEDs)
 - Right (top) = right wing or position
 - Flat (middle) = both wings in horizontal position
 - Left (bottom) = Left wing or position

When programming the Soft Tilt, first the time period for which the wings are in a elevated or flat position is set, second the angles at which to elevate and third the starting side of the wings (right, left or flat). This is done for either Program 1 or Program 2.

Step	Function	Display	LED	Note	
1	Press and hold for 3 sec.		SEL	None	Start the programming mode
2	Press		P1	P1	Choose the program to be set
	or		P2	P2	
3	Press		010	P1 or P2 & Right 	The time value appears in the display
4	Press		001	P1 or P2 & Right 	Adjust the time between 000 and 180 minutes (0, 3, 10-180 in +/- 10 min. intervals)
			020		
5	Press		010	P1 or P2 & Flat 	The time value appears in the display
6	Press		001	P1 or P2 & Flat 	Adjust the time between 000 and 180 minutes (0, 3, 10-180 in +/- 10 min. intervals)
			020		

Step	Function	Display	LED	Note
7	Press 	010	P1 or P2 & Left 	The time value appears in the display
8	Press  	001 020	P1 or P2 & Left 	Adjust the time between 000 and 180 minutes (0, 3, 10-180 in +/- 10 min. intervals)
9	Press 	A	None	single *BEEP* = The time has now been set.
10	Press 	015	P1 or P2 & Right 	The angle value appears in the display
11	Press  	014 016	P1 or P2 & Right 	Adjust the angle between 00 and 40 degrees (+/- 1 degree interval)
12	Press 	010	P1 or P2 & Left 	The angle value appears in the display
13	Press  	009 011	P1 or P2 & Left 	Adjust the angle between 00 and 40 degrees (+/- 1 degree interval)
14	Press 	-	None	double *BEEP* = The angle has now been set.
15	Press  	SEL	Right  Flat  Left 	Adjust which side the Soft Tilt will start, RIGHT, FLAT or LEFT.
16	Press 	-	None	triple *BEEP* = The starting side has been chosen and the entire program is saved.



- The programming mode will automatically be closed down without saving, if no buttons are pressed for 2 min.

5.3 Program examples for automated pressure relief

- End-user turning from right side to flat to left side and always laying on a flat wing.
 - Angle primary wing = 13°-40°
 - Angle secondary wing = 0°
 - Time for right, flat and left position > 0 min.
- End-user turning from right to flat to left side and always laying on a slightly elevated wing.
 - Angle primary wing = 13°-40°
 - Angle secondary wing = 1°-12°
 - Time for right, flat and left position > 0 min.

This Program requires “high” side rails.

- End user turning from right to left side, never laying in a flat position and always laying on a flat wing.
 - Angle primary wing = 13°-40°
 - Angle secondary wing = 0°
 - Time flat position = 0 min.
 - Time left and right position > 0 min.
 - see section *Auto program sequence* as an example.
- End user turning from right to left side, never laying in a flat position and always laying on a slightly elevated wing (Cradle function).
 - Angle primary wing = 13°-40°
 - Angle secondary wing = 1°-12°
 - Time flat position = 0 min.
 - Time left and right position > 0 min.

This Program requires “high” side rails.

- End user turning from one side to flat and back to the same side, always laying on a flat wing.
 - Angle primary wing = 13°-40°
 - Angle secondary wing = 0°
 - Time flat position > 0 min.
 - Time left or right side position = 0 min.

- End user turning from one side to flat and back to the same side, always laying on a slightly elevated wing.
 - Angle primary wing = 13°-40°
 - Angle secondary wing = 1°-12°
 - Time flat position > 0 min.
 - Time left or right side position = 0 min.

This Program requires “high” side rails.

- Both wings raised to equal angles without repositioning (Backward hug).
 - Angle primary and secondary wing = 10°-12°
 - Time flat position = 0 min.
 - Time left and right position > 0 min (set values not relevant, see below)



No automatic repositioning will occur when both wings are set to same angle and therefore, the times set for left or right side position do not have any influence.

6 Maintenance

6.1 General Maintenance Information



IMPORTANT!

Service and maintenance of the Soft Tilt must be carried out together with the bed.

- For detailed information on maintenance procedures and checklists see *User Manual and/ or Service Manual* for the bed in use.

6.2 Cleaning and disinfection



CAUTION!

Risk of contamination

- Take precautions for yourself and use appropriate protective equipment.



IMPORTANT!

Wrong fluids or methods can harm or damage your product.

- All cleaning agents and disinfectants used must be effective, compatible with one another and must protect the materials they are used to clean.
- Never use corrosive fluids (alkalines, acid, cellulose thinner, acetone etc). We recommend an ordinary household cleaning agent such as dishwashing liquid, if not specified otherwise in the cleaning instructions.
- Never use a solvent that changes the structure of the plastic or dissolves the attached labels.
- Always make sure that the product is completely dried before taking into use again.

Electrical components



IMPORTANT!

The IP classification determines the washability of the electrical components.

Electronics classified IPx6 may NOT be washed with jet based cleaning equipment or in a washing tunnel.

Electronics classified IP66 may be washed with a jet based cleaning equipment but NOT in a washing tunnel.

- The IP classification is stated on the serial labels of the electrical components.
- Please also note that the components can have different classification.
- The lowest IP classification decides the overall classification of the combination.

Textiles

See attached label on the textile cover for detailed washing instructions.

Ensure that the foam support from foot end of the cover is taken out, before placing the cover in a washing machine.

General Cleaning Method

Method: Wipe off with a wet cloth or soft brush.

Max temp: 40 °C

Solvent/chemicals: Mild household detergent or soap and water.



IMPORTANT!

For detailed information of cleaning methods see instructions in the user manual of the bed in use.

Cleaning Intervals



IMPORTANT!


Regular cleaning and disinfection enhances smooth operation, increases the service life and prevents contamination.

Clean and disinfect the product

- before and after any service procedure,
- when it has been in contact with any body fluids,
- before using it for a new user.

6.3 Battery

We recommend a check of the battery every 6 months:

1. Elevate both wings and unplug the power cable.
2. Press ON/OFF button  and ensure both wings move into horizontal position.

We recommend replacement of the battery after 4 years – Call dealer/technician to replace battery.

Storage



IMPORTANT!

Before storage of the Soft Tilt, ensure the system has been turned off completely and the emergency stop button is pressed to prevent the battery from discharging.

7 After Use

7.1 Disposal

**WARNING!****Environmental Hazard**

Device contains batteries.

This product may contain substances that could be harmful to the environment if disposed of in places (landfills) that are not appropriate according to legislation.

- DO NOT dispose of batteries in normal household waste.
- Batteries MUST be taken to a proper disposal site. The return is required by law and free of charge.
- Do only dispose discharged batteries.
- For information on the battery type see battery label or chapter 9 *Technical Data*, page 22.

Be environmentally responsible and recycle this product through your recycling facility at its end of life.

Disassemble the product and its components, so the different materials can be separated and recycled individually.

The disposal and recycling of used products and packaging must comply with the laws and regulations for waste handling in each country. Contact your local waste management company for information.

We only use REACH compliant materials and components.

- All electric parts must be dismantled and be disposed of as electric components.
- Plastic parts must be sent for incineration or recycling.
- Steel parts must be disposed of as waste metals.

7.2 Reconditioning

This product is suitable for reuse. To recondition the product for a new user, carry out the following actions:

- Inspection, cleaning and disinfection as described in chapter 6 *Maintenance*, page 17.

8 Troubleshooting

8.1 Troubleshooting the electrical system

Error	Display (flashes at 0.5 sec. intervals between two codes)		Acoustic Signal	LED (flashes yellow)	Comment	Solution
Stoppage on motor LEFT Overload on motor LEFT	E01	E0	10 beeps with 1 sec. ON and 1 sec. OFF When trying to activate motor again: 1 beep for 1 sec.	Left	only in Auto mode (no display, acoustic signal and flashing LED in manual mode)	Check the cables to and from the motor for the following: - Cable undamaged. - Cable correctly connected to motor. - Cable connector correctly installed and intact.
Stoppage on motor RIGHT Overload on motor RIGHT	E02	E0		Right		
Battery mode: Power failure OR Emergency stop activated	E03	E0	4 beeps with 1 sec. ON and 1 sec. OFF		<ul style="list-style-type: none"> - 1st acoustic signal when disconnected from power supply OR the emergency stop is activated. The system switches to battery mode and the wings will stop moving and stay in current position. - 2nd acoustic signal after 20 min. - 3rd acoustic signal after 40 min. - After 60 min the system switches to low battery error (E04). 	Connect to power supply AND / OR deactivate the emergency stop to charge and check the battery (refer to chapter Maintenance for further information).
Low battery	E04	E0	4 beeps with 1 sec. ON and 1 sec. OFF		<ul style="list-style-type: none"> - 1st acoustic signal when the battery is detected to be low while in battery mode. - Further acoustic signals occur every 20 min until the system turns off to save battery power for one CPR lowering. 	
System can not be turned on					Although the system is connected to power supply it can not be turned on.	Check if the emergency stop is activated and deactivate if necessary.



Press the ON/OFF button to reset an ERROR and try again.

Contact your dealer or Invacare representative if the above does not solve your problems.

8.2 Programming Errors

Error display for incorrect setup of values for Program 1 or 2



Error	Display	Acoustic Signal	Comment
Program 1 or 2	E40 for 4 sec.	2 beeps of 5 sec. ON and 1 sec. OFF	<p>Occurs when activating Program 1 or 2 with incorrect time values set.</p> <p>The following combination of time values for the left, right and flat position are defined as incorrect setup:</p> <ul style="list-style-type: none"> - All three time values = 0 min - Only one time value > 0 min / two time values = 0 min - If you select one side to 0 min and chose the same side to start.

9 Technical Data

9.1 Characteristics

Automatic Operation	yes
Max. angle in Manual mode	80°
Max. angle in Automatic mode	primary wing = 40° secondary wing = 12°
Angle values in Automatic mode	0°–40° (+/- 1° interval)
Time values in Automatic mode	0, 3, 10–180 min (+/- 10 min intervals)

9.2 Weights

	Max. user weight (provided that the weight of the mattress does not exceed 20 kg)	165 kg
	Max. safe working load weight (including mattress)	185 kg

Weights of Soft Tilt components

Complete (main module and 4 arms)	31 kg
Head arm (1 piece)	3.8 kg
Foot arm (1 piece)	2.6 kg
Main module	18.2 kg
Control Box	2.5 kg

9.3 Allowed mattress sizes

Mattress height and side rail compatibility

! IMPORTANT!
Depending if the end-user in a side position is laying on a flat wing (mattress horizontal) OR if the wing the end-user is laying on is raised up to 12°, different combinations of mattresses and side rails are required (see appropriate chart below).

- End-user laying on flat wing

Allowed mattress heights, when the end-user is laying on a flat wing (secondary wing = 0°).

Side rail	Mattress height
Ane/ Ane(83/85)	10–14 cm
Ane High / Ane High(83/85)	14–24 cm
Freya/Embla	10-13 cm
Freya / Embla with Height Extender mounted*- extending the height with 6 cm	11–19 cm
Freya / Embla with Height Extender mounted*- extending the height with 10 cm	15-23 cm

*Must be dismantled when the side rail is collapsed and the end-user is getting out of the bed.

- End-user laying on a elevated wing

Allowed mattress heights, when the end-user is laying on a up to 12° elevated wing (secondary wing = 1–12°).

Side rail	Mattress height
Ane High / Ane High(83/85)	14–18 cm
Freya / Embla with Height Extender mounted*- extending the height with 6 cm	11–13 cm
Freya / Embla with Height Extender mounted*- extending the height with 10 cm	15-17 cm

*Must be dismantled when the side rail is collapsed and the end-user is getting out of the bed.


Mattress width and length depending on bed width and side rail

Side rail	Allowed mattress width	Min. length	Bed width
Ane (83/85) / Ane High (83/85)	83–85 cm	200 cm	90 cm
Ane / Ane High / Freya / Embla / Freya / Embla with Height Extender- extending the height with 6 cm Freya / Embla with Height Extender- extending the height with 10 cm	88-90 cm		





 A castellated mattress is recommended.

9.4 Environmental conditions

	Storage and transportation	Operation
Temperature	-10°C to +50°C	+5°C to +40°C
Relative humidity	20% to 75%	
Atmospheric pressure	800 hPa to 1060 hPa	

 Be aware that when a bed has been stored under low temperatures, it must be adjusted to operating conditions before use.

9.5 Electrical system

Voltage supply: Uin 230 Voltage, AC, 50/60 Hz (AC = Alternating current)
Maximum current input: Iin max.1,5 Ampere
Intermittent (periodic motor operation): Int = Max. 10 %, 2 min ON / 18 min OFF
Insulation class: CLASS II 
Type B Applied Part  <p>Applied Part complying with the specified requirements for protection against electrical shock according to IEC60601-1.</p> <p>(An applied parts is a part of the medical equipment which is designed to come into physical contact with the patient or parts that are likely to be brought into contact with the patient.)</p>
Battery type: LP 12-0.8 (12 V 0.8AH) Sealed Lead-acid Battery   <p>Constant voltage charge:</p> <ul style="list-style-type: none"> • Standby use: 13.5-13.8 V • Cycle use: 14.4-15.0 V • Initial current: Less than 0.24 A
Sound level: 58.5 dB (A)
Degree of protection: IPx6* or IP66** <p>The main module, actuators and hand control are protected according to IPx6. The Control box is protected according to IP66</p>

* IPX6 classification means that the electrical system is protected against water projected from any direction (not high pressure).

** IP66 classification means that the electrical system is protected against high-pressure water jets projected from any direction and fully protected against dust and other particulates, including a vacuum seal.

10 Electromagnetic compatibility (EMC)

10.1 General EMC information

Medical Electrical Equipment needs to be installed and used according to the EMC information in this manual.

This product has been tested and found to comply with EMC limits specified by IEC/EN 60601-1-2 for Class B equipment.

Portable and mobile RF communications equipment can affect the operation of this product.

Other devices may experience interference from even the low levels of electromagnetic emissions permitted by the above standard. To determine if the emission from this product is causing the interference, run and stop running this product. If the interference with the other device operation stops, then this product is causing the interference. In such rare cases, interference may be reduced or corrected by the following:

- Reposition, relocate, or increase the separation between the devices.

10.2 Electromagnetic emission

Guidance and manufacturer's declaration

This product is intended for use in the electromagnetic environment specified below. The customer or the user of this product should assure that it is used in such an environment.


Emissions test	Compliance	Electromagnetic environment – guidance
RF emissions CISPR 114	Group I	This product uses RF energy only for its internal function. Therefore, its RF emissions are very low and are not likely to cause any interference in nearby electronic equipment.
RF emissions CISPR 114	Class B	This product is suitable for use in all establishments including domestic establishments and those directly connected to the public low-voltage power supply network that supplies buildings used for domestic purposes.
Harmonic emissions IEC 61000-3-2	Class A	
Voltage fluctuations / flicker emissions IEC 61000-3-3	Complies	


10.3 Electromagnetic Immunity

Guidance and manufacturer's declaration

This product is intended for use in the electromagnetic environment specified below. The customer or the user of this product should assure that it is used in such an environment.

Immunity test	Test / Compliance level	Electromagnetic environment – guidance
Electrostatic discharge (ESD) IEC 61000-4-2	± 8kV contact ± 2 kV, ± 4 kV, ± 8 kV, 15 kV air	Floors should be wood, concrete or ceramic tile. If floors are covered with synthetic material, the relative humidity should be at least 30 %.
Electrostatic transient / burst IEC 61000-4-4	± 2 kV for power supply lines; 100 kHz repetition frequency ± 1 kV for input / output lines; 100 kHz repetition frequency	Mains power quality should be that of a typical commercial or hospital environment.
Surge IEC 61000-4-5	± 1 kV line to line ± 2 kV line to earth	Mains power quality should be that of a typical commercial or hospital environment.

Immunity test	Test / Compliance level	Electromagnetic environment – guidance
Voltage dips, short interruptions and voltage variations on power supply input lines IEC 61000-4-11	< 0% U_T for 0,5 cycle at 45° steps 0% U_T for 1 cycles 70% U_T for 25 / 30 cycles < 5% U_T for 250 / 300 cycles	Mains power quality should be that of a typical commercial or hospital environment. If the user of this product requires continued operation during power mains interruptions, it is recommended that the product is powered from an un-interruptible power supply or a battery. U_T is the a. c. mains voltage prior to application of the test level.
Power frequency (50/60 Hz) magnetic field IEC 61000-4-8	30 A/m	Power frequency magnetic fields should be at levels characteristic of a typical location in a typical commercial or hospital environment.
Conducted RF IEC 61000-4-6	3V 150 kHz to 80 Mhz 6V in ISM & amateur radio bands 10 V/m 80 Mhz to 2,7 GHz	Field strengths from fixed transmitters, such as base stations for radio (cellular/cordless) telephones and land mobile radios, amateur radio, AM and FM radio broadcast and TV broadcast cannot be predicted theoretically with accuracy. To assess the electromagnetic environment due to fixed RF transmitters, an electromagnetic site survey should be considered. If the measured field strength in the location in which this product is used exceeds the applicable RF compliance level above, this product should be observed to verify normal operation. If abnormal performance is observed, additional measures may be necessary, such as reorienting or relocating this product. Interference may occur in the vicinity of equipment marked with the following symbol: 
Radiated RF IEC 61000-4-3	385 MHz - 5785 MHz test specifications for immunity to RF wireless communication equipment refer to table 9 of IEC 60601-1-2:2014	Portable and mobile RF communications equipment should be used no closer than 30 cm to any part of this product including cables.

 These guidelines may not apply in all situations. Electromagnetic propagation is affected by absorption and reflection from structures, objects and people.

10.3.1 Test specifications for immunity to RF wireless communications equipment

IEC 60601-1-2:2014 — Table 9

Test Frequency (MHz)	Band ^{a)} (MHz)	Service ^{a)}	Modulation ^{b)}	Maximum power (W)	Distance (m)	Immunity test level (V/m)
385	380 - 390	TETRA 400	Pulse modulation ^{b)} 18 Hz	1.8	0.3	27
450	430 - 470	GMRS 460, FRS 460	FM ^{c)} ± 5 kHz deviation 1 kHz sine	2	0.3	28
710 745 780	704 - 780	LTE Band 13,17	Pulse modulation ^{b)} 217 Hz	0.2	0.3	9
810 870 930	800 - 960	GSM 800/900, TETRA 800, iDEN 820, CDMA 850, LTE Band 5	Pulse modulation ^{b)} 18 Hz	2	0.3	28

Test Frequency (MHz)	Band ^{a)} (MHz)	Service ^{a)}	Modulation ^{b)}	Maximum power (W)	Distance (m)	Immunity test level (V/m)
1720 1845 1970	1700 - 1990	GSM 1800; CDMA 1900; GSM 1900; DECT; LTE Band 1, 3, 4, 25; UMTS	Pulse modulation ^{b)} 217 Hz	2	0.3	28
2450	2400 - 2570	Bluetooth, WLAN, 802.11 b/g/n, RFID 2450, LTE Band 7	Pulse modulation ^{b)} 217 Hz	2	0.3	28
5240 5500 5785	5100 - 5800	WLAN 802.11 a/n	Pulse modulation ^{b)} 217 Hz	0.2	0.3	9



If necessary to achieve the immunity test level, the distance between the transmitting antenna and the Medical Electrical Equipment or System may be reduced to 1 m. The 1 m test distance is permitted by IEC 61000-4-3.

a) For some services, only the uplink frequencies are included.

b) The carrier shall be modulated using a 50 % duty cycle square wave signal.

c) As an alternative to FM modulation, 50 % pulse modulation at 18 Hz may be used because while it does not represent actual modulation, it would be worst case.

28

Indholdsfortegnelse

Denne vejledning skal overdrages til slutbrugeren. Før du benytter dette produkt, skal du læse denne vejledning, og du bør opbevare den til senere brug.

1 Generelt	27
1.1 Indledning	27
1.1.1 Definitioner	27
1.2 Symboler i denne manual	27
1.3 Tiltænkt anvendelse	27
1.4 Servicelevetid	27
1.5 Garantioplysninger	27
1.6 Ansvarsbegrænsning	27
1.7 Overensstemmelse	28
2 Sikkerhed	28
2.1 Generelle sikkerhedsanvisninger	28
2.2 Mærkater og symboler på produktet	29
2.2.1 Produktmærkat	29
2.2.2 Andre mærkater og symboler	29
3 Udpakning	30
3.1 Generelle sikkerhedsanvisninger	30
3.2 Leveringsomfang	30
3.3 Montering af Soft Tilt	30
4 Brug	33
4.1 Generelle sikkerhedsanvisninger	33
4.2 Oversigt	33
4.3 Styreboks og håndbetjening	33
4.4 TIL/FRA- og nulstillingsfunktion	33
4.5 Nødstop	34
4.6 Manuel drift	34
4.6.1 Anbefalede procedurer	34
4.7 Automatisk drift	34
4.7.1 Rækkefølge for automatisk program	35
4.7.2 Pause automatisk program	35
4.8 Opladning af batteriet	35
4.9 Nøddudløsning af en side (vinge)	35
5 Programmering	36
5.1 Individuelt definerede programmer	36
5.2 Sådan programmeres de individuelle automatiske programmer	37
5.3 Programeksempler til automatisk lettelse af belastning	39
6 Vedligeholdelse	40
6.1 Oplysninger om generel vedligeholdelse	40
6.2 Rengøring og desinfektion	40
6.3 Batteri	40
7 Efter brug	41
7.1 Bortskaffelse	41
7.2 Genanvendelse	41
8 Fejlfinding	42
8.1 Fejlfinding i det elektriske system	42
8.2 Programmeringsfejl	43
9 Tekniske Data	44
9.1 Egenskaber	44
9.2 Vægt	44
9.3 Tilladte madrastørrelser	44
9.4 Miljøforhold	44
9.5 Elektrisk system	45
10 Elektromagnetisk kompatibilitet (EMC)	46
10.1 Generelle oplysninger om elektromagnetisk kompatibilitet (EMC)	46
10.2 Elektromagnetisk emission	46
10.3 Elektromagnetisk immunitet	46
10.3.1 Testspecifikationer for immunitet mod trådløst RF-kommunikationsudstyr	47

1 Generelt

1.1 Indledning

Denne manual hører til hjælpemidler fra Invacare og indeholder vigtige anvisninger om håndtering og samling. Af sikkerhedsmæssige årsager, bør produktets brugsanvisning læses grundigt, og sikkerhedsanvisningerne følges.

Du kan finde brugsanvisningen på Invacares hjemmeside eller ved at kontakte din Invacare-forhandler. Se adresser sidst i denne manual.

Invacare forbeholder sig retten til at ændre produktspecifikationer uden forudgående varsel.

Før denne manual læses, skal det sikres, at det er den nyeste version. Den nyeste version findes i PDF-format på Invacares hjemmeside.

Hvis skriftstørrelsen i den trykte version af brugsanvisningen er svær at læse, kan brugsanvisningen downloades i PDF-version på hjemmesiden. PDF-filen kan derefter indstilles til en skriftstørrelse på skærmen, der passer dig bedre.

I tilfælde af en alvorlig hændelse med produktet, skal du informere producenten og den kompetente myndighed i dit land.

1.1.1 Definitioner

Ved alle henvisninger til højre og venstre forudsættes det, at personen ligger på ryggen i sengen med hovedet ved hovedenden.

1.2 Symboler i denne manual

I denne manual anvendes symboler og signalord til angivelse af faresituationer eller u hensigtsmæssig anvendelse, som kan medføre person- eller produktskader. Se oplysningerne nedenfor for at få en definition af symbolerne.



ADVARSEL
Angiver en potentielt farlig situation, som kan resultere i alvorlig kvæstelse eller dødsfald, hvis den ikke undgås.



FORSIGTIG
Angiver en potentielt farlig situation, som kan resultere i en mindre eller lille kvæstelse, hvis den ikke undgås.



VIGTIGT
Angiver en potentielt farlig situation, som kan resultere i beskadigelse af ejendom, hvis den ikke undgås.



Tips og anbefalinger
Giver nyttige tips, anbefalinger og oplysninger, der sikrer en effektiv, problemfri anvendelse.

1.3 Tiltænkt anvendelse

Soft Tilt og betjeningspanelet er kun beregnet til brug sammen med 90 cm brede Invacare® Nordbed Optimo og Ultra-senge, der har sengeheste i en passende højde (se diagrammet i 9 Tekniske Data, side 44), overtræk til sengeheste og en madras med opskåret skum (se størrelsesdiagrammet 9 Tekniske Data, side 44)

- Som en del af et generelt plejeprogram til forebyggelse af tryksår.

- Til at forflytte sengeliggende borgere, så de kan ligge på venstre eller højre side eller på ryggen.
- Hjælp borgeren med at komme op i sengen og ud af sengen.
- Når systemet bruges i "automatisk" tilstand, er det designet til at trykafleste borgerne.
- Når det bruges i "manuel" tilstand, er det designet til at støtte plejeren i at forflytte borgeren fra side til side i sengen.
- Det er velegnet til brug i alle former for hjemmepleje, på bosteder og på plejecentre.
- Soft Tilt er kun beregnet til indendørs brug.

Indikationer

Den tiltænkte patientgruppe for Soft Tilt er:

- Sengeliggende immobile/ delvist immobile voksne borgere.
- Som har brug for pleje i forbindelse med tryksår.
- Som skal have pleje i plejesengen, f.eks. i form af personlig hygiejne, hjælp til at få tøj på osv. Denne gruppe af borgeren overføres ofte fra en seng til en stol med en personløfter eller ved manuel hjælp fra plejepersonalet kombineret med et teknisk hjælpemiddel som f.eks. en rollator.

Kontraindikationer

Soft Tilt er ikke beregnet til psykiatriske, rastløse eller nervøse borgere eller til personer, der har spasmer.

Forholdsregler

- Før Soft Tilt tages i brug, er det vigtigt at evaluere, om Soft Tilt er velegnet til den specifikke slutbruger.
- Af sikkerhedsmæssige årsager må borgeren ikke selv betjene Soft Tilt.



ADVARSEL!

Enhver anden eller forkert brug kan føre til farlige situationer. Invacare påtager sig ikke ansvaret for brug, ændring eller samling af produktet, som afviger fra det, der beskrives i denne brugsanvisning.

1.4 Servicelevetid

Den forventede servicelevetid for dette produkt er fem år, når det anvendes dagligt og i overensstemmelse med sikkerhedsanvisningerne, vedligeholdelsesintervallerne og den korrekte brug, der fremgår af denne brugsanvisning. Den effektive servicelevetid kan variere afhængigt af hyppighed og intensitet af brugen.

1.5 Garantioplysninger

Vi yder en producentgaranti på produktet i overensstemmelse med vores almindelige forretningsbetingelser og vilkår i de respektive lande.

Der kan kun rejses garantikrav gennem den forhandler, som produktet er købt hos.

1.6 Ansvarsbegrænsning

Invacare påtager sig ikke ansvaret for skader, der skyldes:

- Manglende overholdelse af brugsanvisningen
- Forkert anvendelse
- Almindeligt slid
- Forkert samling eller indstilling foretaget af køber eller en tredjepart
- Tekniske ændringer
- Uautoriserede ændringer og/eller brug af uegnede reservedele

1.7 Overensstemmelse

Dette product er CE-mærket i overensstemmelse med direktivet om medicinsk udstyr MDR 2017/745 klasse 1. Lanceringsdatoen for dette produkt fremgår af CE-overensstemmelseserklæringen.

2 Sikkerhed

2.1 Generelle sikkerhedsanvisninger



ADVARSEL!

Kun kompatibel med Invacare® Nordbed Optimo og Ultra-senge

Denne Soft Tilt version er specialdesignet og må kun bruges sammen med Invacare® Nordbed Optimo og Ultra-senge med en bredde på 90 cm.



ADVARSEL!

Risiko for at falde

Hvis Soft Tilt bruges uden sengeheste eller med de forkerte sengeheste, er der risiko for, at slutbrugeren kan falde ud af sengen.

- Soft Tilt må aldrig bruges på en seng uden sengeheste.
- Soft Tilt må kun bruges i kombination med Invacare-sengeheste, der er angivet i 9 Tekniske Data, side 44.
- Sørg altid for, at sengehesten er oppe i den modsatte side af, hvor plejepersonalet er placeret, ELLER hvis plejepersonalet er placeret på begge sider i sengen, når der bruges manuel tilstand.
- Sørg altid for, at begge sengeheste er oppe når automatisk tilstand er aktiveret.



ADVARSEL!

Fare for at komme i klemme og/eller blive kvalt

Hvis sengehestene bruges uden betræk eller med et ikke-åndbar betræk, er der risiko for, at slutbrugeren kan komme i klemme eller blive kvalt.

- Brug altid et åndbar betræk til sengehestene, når Soft Tilt anvendes.



ADVARSEL!

Fare for at falde ned og/eller komme i klemme

–Udfør altid en risikovurdering af slutbrugers tilstand og bevægelsesevne.

–Brug aldrig Soft Tilt, hvis slutbrugeren er nervøs eller rastløs.

–Sørg altid for, at slutbrugeren er anbragt i midten af sengen, og at alle slutbrugers kroppsdele er på madrassen, før vingerne flyttes.

–Efterlad aldrig slutbrugeren uden opsyn, når den manuelle tilstand bruges.

–Slutbrugeren må aldrig komme ind i eller ud af sengen, mens vingerne flyttes manuelt, eller mens den automatiske tilstand er aktiveret.

–Håndbetjeningen skal altid bruges af plejeren.



ADVARSEL!

Risiko for personskade eller produktskade

Forkert håndtering af kabler kan forårsage elektrisk stød eller produktfejl.

- Undlad at bøje eller skære i strømledningen eller beskadige den på anden vis.
- Kør ikke over strømledningen med svinghjulene.
- Undgå at føre strømledningen ind i bevægelige dele.
- Tag stikket ud af strømforsyningen, før sengen flyttes.
- Sørg for, at ingen kabler (netledningen eller kabler fra andet udstyr) kommer i klemme eller på anden måde bliver beskadiget, når sengen er i brug.
- Hold sengekomponenter og tilbehørsdele mindst 30 cm væk fra opvarmede flader og direkte sollys.

Madrasser



ADVARSEL!

Sikkerhedsaspekter vedrørende kombinationen af sengeheste og madrasser:

For at opnå det højeste mulige sikkerhedsniveau, når der bruges sengeheste på sengen, skal minimums- og maksimumsmålene for madrasser overholdes.

- Find de korrekte madrasmål i madrastabellerne i kapitel 9 Tekniske Data, side 44.

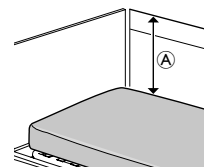


ADVARSEL!

Fare for at komme i klemme og/eller blive kvalt

– Slutbrugeren kan komme i klemme og/eller blive kvalt, hvis det vandrette mellemrum mellem madrassiden og indersiden af sengehesten er for stort. Overhold minimumsbredden (og-længden) for madrasser sammen med en given sengehest, som angivet i madrastabellen i kapitel 9 Tekniske Data, side 44.

- Vær opmærksom på, at risikoen øges ved brug af meget tykke eller bløde madrasser (lav densitet) eller en kombination af begge.



ADVARSEL!

Risiko for at falde

Slutbrugeren kan falde ud over kanten og blive alvorligt kvæstet, hvis det lodrette mellemrum [Ⓐ] mellem toppen af madrassen og kanten af sengehesten/gavlen er for kort. Se billedet ovenfor.

- Sørg altid for en minimumsafstand [Ⓐ] på 22 cm på siden med den vinge, som slutbrugeren ligger på (sekundær vinge hævet til maks. 12°).
- Overhold maksimumhøjden for madrasser sammen med sengehesten som angivet i madrastabellen i kapitel 9 Tekniske Data, side 44.

Elektromagnetisk interferens



ADVARSEL!

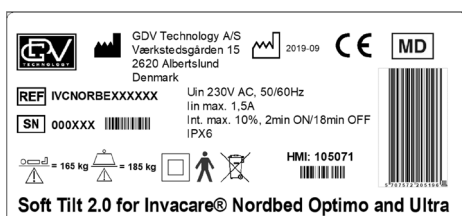
Risiko for fejl funktion på grund af elektromagnetisk interferens

Der kan opstå elektromagnetisk interferens mellem dette produkt og andet elektrisk udstyr, og det kan forstyrre dette produkts elektriske justeringsfunktioner. Denne elektromagnetiske interferens kan forhindres, reduceres eller fjernes på følgende måde:

- Brug kun kabler, tilbehør og reservedele, der er originale, så du ikke øger dette produkts elektromagnetiske emission eller dets elektromagnetiske immunitet. Undlad at bruge bærbart RF-kommunikationsudstyr (radiofrekvens) tættere end 30 cm fra nogen del af dette produkt (inklusive kabler).
- Undlad at bruge dette produkt i nærheden af aktivt højfrekvensoperationsudstyr og det RF-afskærmede lokale for et MRI-system (Magnetic Resonance Imaging), hvor der er en høj intensitet af elektromagnetiske forstyrrelser.
- Hvis der opstår forstyrrelser, skal du øge afstanden mellem dette produkt og det andet udstyr eller slukke for det.
- Se de detaljerede oplysninger, og følg anvisningerne i kapitlet *10 Elektromagnetisk kompatibilitet (EMC)*, side 46.

2.2 Mærkater og symboler på produktet

2.2.1 Produktmærkat



Produktmærkaten er placeret på hovedmodulet på Soft Tilt og indeholder de primære produktoplysninger, herunder tekniske data.

Symboler

	Serienummer
	Referencenummer
	Producentadresse
	Fremstillingsdato
	Maks. brugervægt
	Maks. sikker arbejdsbelastning
	Anvendt del af type B
	WEEE-overensstemmelse
	Europæisk overensstemmelse
	Medicinsk udstyr
	Isoleringsklasse 2
	Genanvendeligt batteri

Forkortelser for tekniske data:

- lin = indgangsstrøm
- Uin = indgangsspænding
- Int. = intermittens
- AC = vekselstrøm
- Max = maksimum
- min = minutter

Se *9 Tekniske Data*, side 44 for at få yderligere oplysninger om tekniske data.

2.2.2 Andre mærkater og symboler

	Læs brugermanual før brug af produktet og følg alle instruktioner for sikkerhed og brug.
	Angiver den korrekte placering og orientering af Soft Tilt®-hovedmodulet på sengen. <i>Se 3.3 Montering af Soft Tilt (Montering af hovedmodulet), side 30.</i>
	Angiver den korrekte placering af hovedendearme og fodendearme til hovedmodulet. <i>Se 3.3 Montering af Soft Tilt (Montering af arme og cover), side 32.</i>
	Angiver den korrekte placering af cover på Soft Tilt®. <i>Se 3.3 Montering af Soft Tilt (Montering af arme og cover), side 32.</i>

3 Udpakning

3.1 Generelle sikkerhedsanvisninger

Ved modtagelse af produktet skal emballagen kontrolleres. Hvis emballagen viser tegn på beskadigelse ved levering, skal du kontakte transportfirmaet.



ADVARSEL!

Risiko for personskade eller produktskade

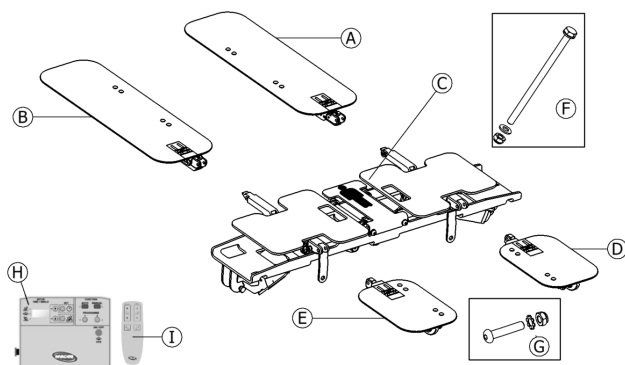
Samlingen og installationen skal foretages af autoriseret eller uddannet personale.

- Denne Soft Tilt version er specialdesignet og må kun bruges sammen med Invacare® Nordbed Optimo og Ultra-senge med en bredde på 90 cm.
- Følg anvisningerne nøje. Hvis du har spørgsmål i forbindelse med samlingen, skal du kontakte din lokale forhandler eller din Invacare-forhandler.
- Hvis produktet viser nogen form for tegn på beskadigelse, skal du undlade at bruge produktet. Kontakt din lokale forhandler eller din Invacare-forhandler.
- Produktets elektriske udstyr må ikke afmonteres eller kombineres med andet elektrisk udstyr.
- Kontrollér efter hver samling, at alle beslag er spændt korrekt, og at alle dele fungerer korrekt.

3.2 Leveringsomfang

Soft Tilt leveres delvist samlet i en papkasse.

Hovedkomponenter



- Ⓐ Hovedendearm på venstre vinge
- Ⓑ Hovedendearm på højre vinge
- Ⓒ Hovedmodul (færdigsamlet enhed)
- Ⓓ Fodendearm på venstre vinge
- Ⓔ Fodendearm på højre vinge
- Ⓕ 2 sæt: Montagebolt, skive og låsemøtrik
- Ⓖ 4 sæt: Allen-bolt, skive og låsemøtrik
- Ⓗ Styreboks
- Ⓘ Håndbetjening
- Tekstilkappe (ikke vist på billedet)

3.3 Montering af Soft Tilt

Montering af hovedmodul



FORSIGTIG!

Risiko for personskade eller produktskade

Ved at holde hovedmodul på forkerte dele under løft, kan det forårsage skade på produktet eller personskade.

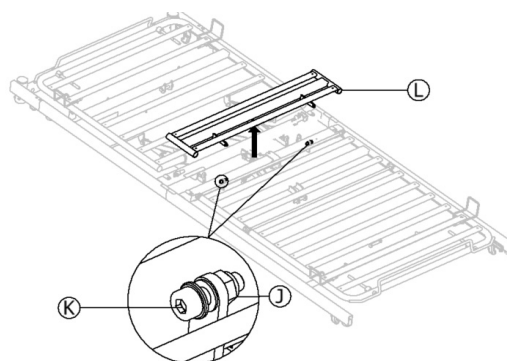
- Hold kun hovedmodul på vingernes dækplader eller monteringsbeslagene på bundrammen, hvor klistermærket "lift here" (løft her) er placeret.
- Hold ikke på den midterste dækplade.



ADVARSEL!

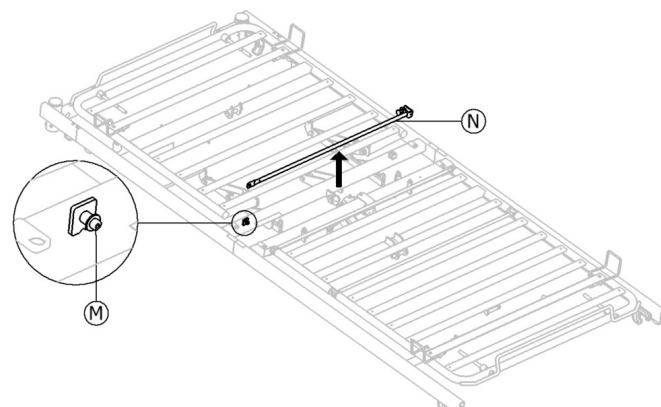
Sørg for, at sengen er korrekt tilsluttet i midten og er plan (180°).

1.
 - a.



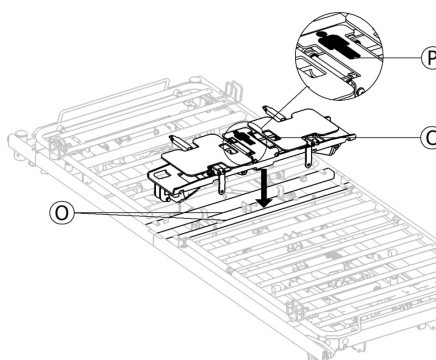
På hver side af sengen skal du fjerne møtrikken Ⓧ og bolten ⓚ ved hjælp af en 13 mm nøgle og en 6 mm unbrakonøgle for at tage lamelsamlingen Ⓛ af sengen, og hold den ved hånden, så den kan sættes på, når Soft Tilt fjernes fra sengen igen.

1.
 - b.



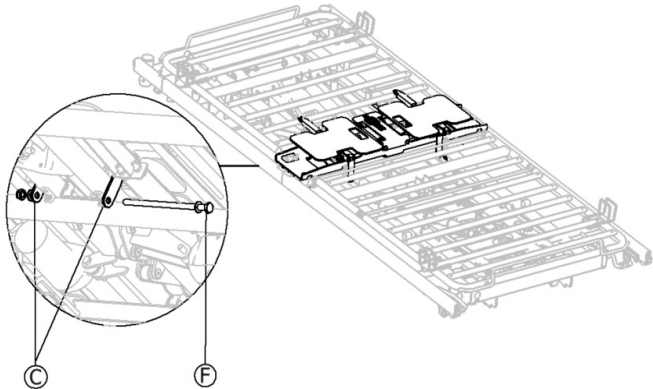
Fjern bolt Ⓜ og møtrik ved hjælp af en 3 mm unbrakonøgle og en 7 mm nøgle, fjern stangen Ⓝ fra sengen. Behold tilgængelige dele til genmontering, når Soft Tilt fjernes fra sengen igen.

- 2.



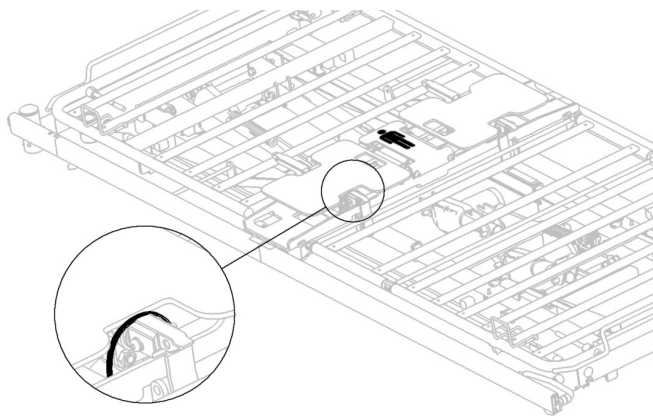
Placer hovedmodulet ③ på tværstængerne ④, efter symbolet, der er vist i det zoomede billede ⑤. Hovedet på symbolet vender mod hovedenden af sengen og fødderne mod fodenden af sengen.

3.



Fastgør hovedmodulet på tværstængerne på madrasbundrammen ved at placere montagebolt ⑥, gennem det angivende beslag på hovedmodulet ③, skive og møtrik, nedenunder på begge sider af sengen.

4.



Klip alle plastikstrips for at frigøre vingerne, og fastgør herefter hovedmodulet på den tværgående madrasbundramme. Sørg for, at nye plastikstrips placeres samme sted, når hovedmodulet skal fjernes fra sengen.

Ledninger og kabler

Styreboxen og håndbetjeningen skal hænges på gavlen i fodenden.

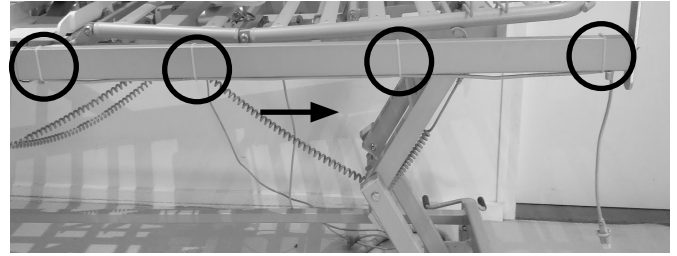


Tilslutninger ved styreboksen

- ① Strømforsyning
- ② Stik til håndbetjening
- ③ Højre motor
- ④ Venstre motor

IVCNORBE221119

1.



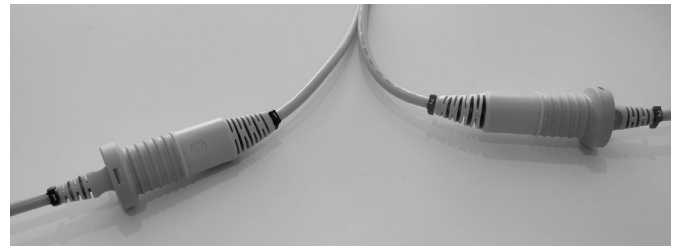
Sørg for at føre motorkablerne på begge sider af sengen under sengenrammen mod fodenden (angivet med pilen på billedet). Fastgør disse hvert af med plastikstrips på sengerammen (markeret med cirklerne på billedet). Første plastikstrip fastgøres nær motoren og de sidste 3 på sengerammens mod fodenden. Sørg for, at enden af plastikstripsene ikke vender væk fra sengerammen

2.



Tilslut håndbetjeningen til kabel ⑧, og tilslut strømledningen ① til ledningsnettet. Håndkontrollkablet er markeret ③ på kabelklemmen svarende til ③ på kontrolbokskablet.

3.



Forbind kablerne på højre og venstre motor til de to forlængerledninger S og T fra kontrolboksen. Det højre motorkabel er markeret ① på kabelklemmen svarende til ① på kablet fra kontrolboksen, og det venstre motorkabel er markeret ② på kabelklemmen svarende til ② på kontrolbokskablet. Deaktiver nødstopet, tænd for systemet, aktivér manuel tilstand, og brug håndbetjeningen til at kontrollere, at venstre og højre motor er sluttet korrekt til styreboksen (se kapitlet *Brug* for at få flere anvisninger).

- ⓘ Sørg for, at alle kabler føres under sengerammen og flyt sengen helt op og helt med for at sikre, at der ikke er nogen kabler, der kommer i klemme.

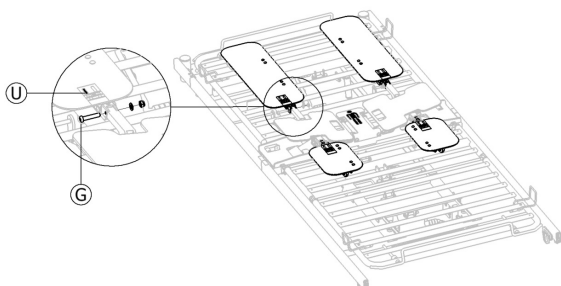
4.



Saml motorkablerne i et bundt, og stram det med en plastikstrip, flyt sengen op og ned for at sikre, at bundtet ikke hænger fast på sengedele og bevæger sig frit.

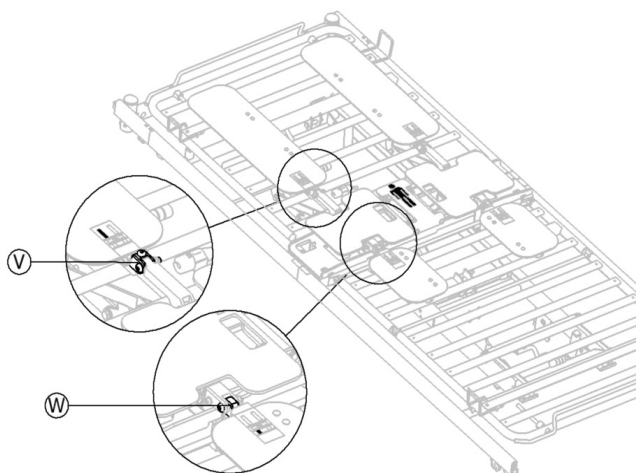
Montering af arme og kappe

1. Sørg for, at begge vinger på hovedmodulet er en smule hævede, så tilslutningerne til armene er tilgængelige.
- 2.



Tilslut de fire arme med hovedmodulet, som anvist i det zoomede billede ①, det sorte markerede område på klistermærket repræsenterer placeringen, hvor armen skal placeres. Fastgør de fire arme med Allen bolte fra sæt ②, og spænd låsemøtrikkerne vendt indad. Sørg for, at sikkerhedsskiverne placeres under låsemøtrikkerne.

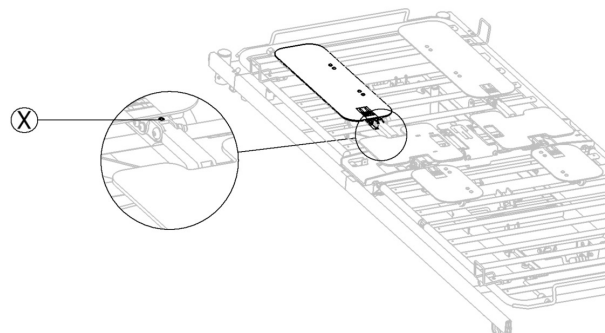
3.



Sørg for, at hovedendearmene er monteret på teleskopbeslaget ③ i det første gevindhul, og at du ikke kan se de resterende gevindhuller. For fodendearmene skal du sørge for, at den teleskopiske beslag ④, er monteret på det første gevindhul, og at du ikke kan se de resterende gevindhuller

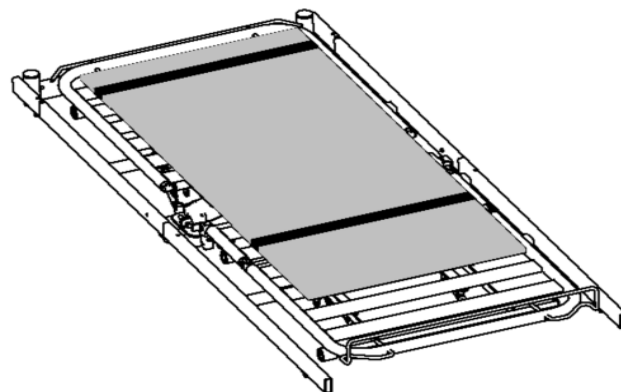
4.

! VIGTIGT!
Før brug, justeres, med hensyn til patientens vægt, placeringen af de fire arme for optimal løftestøtte. Sørg for, at de fire arme stadig er i vandret position i flad tilstand.



Juster armens position, juster bolten ⑤, indtil armene er i en vandret position.

5.



Monter kappen ved at skubbe lommerne over armene i hovedenden og fodenden. Kappens hovedende indeholder etiketoplysninger samt korrekt placering af kappen:



Symbol, der angiver top og bund.

! VIGTIGT!
Soft Tilt må ikke bruges uden kappen.

6. Anbring og fastgør madrassen på Soft Tilt.
 - a. Frigør velcrolukningen på begge stropper på siden af kappen, og fold dem væk til siden.
 - b. Læg madrassen på sengen oven på Soft Tilt (du kan få mere at vide om compatible madrasser under 9 Tekniske Data, side 44).
 - c. Før stropperne over madrassen, og luk velcrolukningen igen for at fastgøre madrassen forsvarligt til Soft Tilt.

4 Brug

4.1 Generelle sikkerhedsanvisninger



ADVARSEL!

Skaderisiko eller risiko for beskadigelse af ejendom.

- Sengen skal placeres, så højdeindstillingen ikke generes af f.eks. personløftere eller møbler.
- Sørg for, at ingen kropsdele kommer i klemme mellem fastmonterede dele (som f.eks. sengeheste, gavle osv.) og bevægelige dele.
- Håndbetjeningen må ikke anvendes af børn.
- Håndbetjeningen må kun bruges af plejeren.



VIGTIGT!

Hvis der opstår strømsvigt, sikrer batteriet, at der er mulighed for at nulstille Soft Tilt via "ON/OFF" funktionen.

- Sørg for, at batteriet er fuldt opladet, før du tager Soft Tilt i brug.
- Se under Batteri i afsnittet *Vedligeholdelse* for at få flere oplysninger.

4.2 Oversigt

Soft Tilt kan enten betjenes i manuel eller automatisk tilstand.

I begge tilstande er det muligt at aktivere sengens normale funktioner.



Det anbefales at have hovedenden hævet en smule, mens Soft Tilt bruges, for at give slutbrugeren en mere behagelig position.

Manuel tilstand

Den manuelle tilstand er designet til at støtte plejeren i at forflytte borgeren fra side til side i sengen.

Vingerne kan hæves og sænkes via håndbetjeningen (se afsnittet Manuel drift).

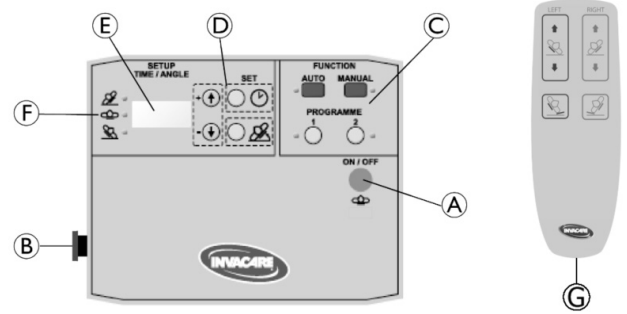
Automatisk tilstand

Den automatiske tilstand er designet til at trykaflaste borgeren.

I AUTO-programmet flyttes vingerne automatisk i overensstemmelse med foruddefinerede parametre for tid og vinkel (se afsnittet *Rækkefølge for automatisk program*).

I program 1 og 2 flyttes vingerne automatisk i overensstemmelse med individuelt definerede parametre for tid og vinkel (se kapitlet *Programmering*).

4.3 Styreboks og håndbetjening



- Ⓐ Tænd/sluk og Nulstillingsfunktion-knap
- Ⓑ Nødstopknap
- Ⓒ Funktionsknapper til at vælge betjeningstilstanden.
- Ⓓ Opsætningsknapper til at indstille parametrene for program 1 og 2
- Ⓔ Display
- Ⓕ Positionsindikatorer
- Ⓖ Håndbetjening

4.4 TIL/FRA-og Nulstillingsfunktion

Tænd for systemet

1. Tryk og hold knappen Ⓐ nede i 3 sekunder for at tænde for systemet.

Nulstillingsfunktion

Nulstillingsfunktionen tilsidesætter alle kommandoer og flytter begge vinger til vandret position.

1. For at aktivere nulstillingsfunktionen skal du trykke på knappen Ⓐ (uden at holde den nede).

Sluk for systemet

1. Tryk på knappen Ⓐ for at nulstille systemet. Hvis det er relevant, skal du vente, indtil begge vinger er flyttet til vandret position.
2. Tryk og hold knappen Ⓐ nede i 3 sekunder for at slukke for systemet.

Display

Systemstatus	Display	Note
FRA		Displayet er tomt
TIL	Software-version (3-cifret tal)	Vises, 2 sekunder efter at systemet er blevet tændt. (skifter til passiv tilstand, hvis der ikke vælges en funktion).
TIL	---	Passiv tilstand (ingen funktion valgt)
Nulstil	FRA	Vises, efter at nulstillingsfunktionen er blevet aktiveret. Systemet skifter derefter til passiv tilstand.

4.5 Nødstop

! VIGTIGT!

- Når nødstopet er aktiveret, kan nulstillingsfunktionen stadig aktiveres ved at trykke på knappen **A**, så vingerne om nødvendigt kan sænkes til vandret position.

Når nødstopet er aktiveret, stopper den alle funktioner og bevægelser med det samme (vinger bliver i den aktuelle position).

- Tryk på knappen **B** for at aktivere funktionen.
- Drej knappen **B** med uret for at deaktivere funktionen.
- Tryk på knappen **A** for at nulstille systemet.

4.6 Manuel drift



ADVARSEL!

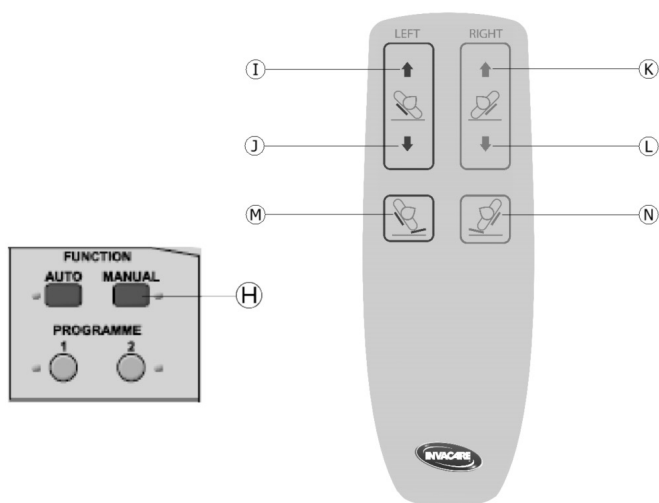
Risiko for at komme i klemme og personskad

Hvis begge vinger hæves samtidig til vinkler på over 12°, er der risiko for, at patienten kommer i klemme.

- Denne funktion må kun bruges af uddannet personale.



Første gang MANUEL drift aktiveres, efter at systemet er blevet tændt, nulstiller det sig selv, før funktionen kan bruges.



- Tryk og hold knappen **H** nede i 3 sekunder for at aktivere manuel drift.
- Tryk på knapperne på håndbetjeningen efter behov.
 - Tryk på **I** for at hæve venstre vinge
 - Tryk på **J** for at sænke venstre vinge
 - Tryk på **K** for at hæve højre vinge
 - Tryk på **L** for at sænke højre vinge
 - For at hæve højre vinge fra 0° til 80° og venstre vinge fra 0° til 5° skal du trykke på **N**
 - For at hæve venstre vinge fra 0° til 80° og højre vinge fra 0° til 5° skal du trykke på **M**



- Venstre og højre knap kan aktiveres på samme tid, så begge vinger flyttes samtidig.
- Vingerne kan flyttes i et interval mellem 0° og 80°.

- Hvis du vil deaktivere manual drift, skal du trykke på TÆND/SLUK knappen **A**.

Statusindikatorer

Display	LED	Note
0 = ingen aktivitet U01 = højre vinge kører op d01 = højre vinge kører ned U01 = venstre vinge kører op d01 = venstre vinge kører ned	MANUEL LED aktiv	Tallene på displayet angiver den vinkel, som vingen er i. Bogstaverne angiver bevægelsesretningen: - U = op bevægelse. - d = bevægelse nedad. - 01 = 1°

4.6.1 Anbefalede procedurer

Flyt fra flad position til siden:



Tryk på enten **N** eller **M** afhængigt af hvilken side patienten skal hæves/eleveres til.

Flyt den fra den ene side til den anden:



- Hvis venstre side er eleveret - tryk på **N** og hold den nede for at skifte fra venstre til højre side. Slip knappen, når den ønskede højde er opnået.
- Hvis højre side er eleveret - tryk på **M** og hold den nede for at skifte fra højre til venstre side. Slip knappen, når den ønskede højde er opnået.

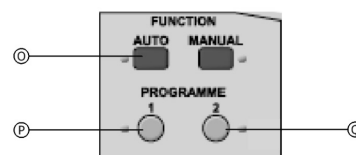
4.7 Automatisk drift

AUTO-programmet er forudindstillet og kan ikke ændres.

Program 1 og 2 kan defineres individuelt af plejeren (se kapitlet *Programming*). Ved leveringen er programmerne tomme, og de skal defineres før brug.



- Hvis et af programmerne aktiveres, nulstilles systemet til FLAD position, før det valgte program startes.
- Hvis der vælges et nyt program, mens et andet program er aktivt, nulstilles systemet til FLAD position, før det nye program startes.



- Tryk på programknapperne efter behov.
 - Tryk og hold **P** nede i 3 sekunder for at starte AUTO-programmet.
 - Tryk og hold **Q** nede i 3 sekunder for at starte program 1.
 - Tryk og hold **R** nede i 3 sekunder for at starte program 2.

2. Hvis du vil stoppe et igangværende program, skal du trykke på TÆND/SLUK knappen (A).

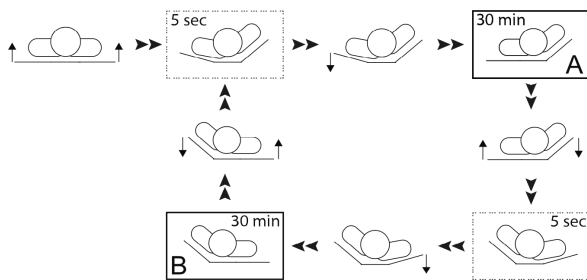


Håndbetjeningen virker ikke, når et program er aktivt.

Statusindikatorer

Aktivt program	Display	LED	Note
AUTO	AU	AUTO-LED aktiv	
Program 1	P1	P1-LED aktiv	
Program 2	P2	P2-LED aktiv	
Timer	P1/XX og P2/XX		Displayet skifter mellem det valgte program og tiden til næste reposition. -P1 / 01 = program 1 og 01 minut før næste reposition. -P2 / 05 = program 2 og 05 minutter før næste reposition.

4.7.1 Rækkefølge for automatisk program



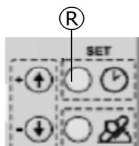
- Startende fra den flade position begynder begge vinger øjeblikkeligt at blive hævet samtidig.
- Venstre vinge stopper ved 12°, og højre vinge stopper ved 40°.
- 5 sekunder efter at højre vinge har nået 40°, sænkes venstre vinge til 0°.
- Denne position A holdes i 30 minutter.
- Samtidig begynder venstre vinge at blive hævet, og højre vinge begynder at blive sænket.
- Højre vinge stopper ved 12°, og venstre vinge fortsætter med at blive hævet op til 40°.
- 5 sekunder efter at venstre vinge har nået 40°, sænkes højre vinge til 0°.
- Denne position B holdes i 30 minutter.

Cyklussen fortsætter med at skifte mellem position A og B, indtil programmet stoppes.

4.7.2 Pause automatisk program



Det er muligt at sætte et automatisk program på pause og bruge håndbetjening som i manuel tilstand.



1. Tryk og hold knappen (R) nede i 3 sekunder mens et automatisk program kører, vingerne vil flytte sig til flad position. Herefter kan den manuelle tilstand bruges.
2. Det aktiverede program før pauseaktionen fortsætter efter 30 minutters inaktivitet, 10 sekunder før programmet starter, høres et BEEP, hvis inaktivitetsperioden skal forlænges, tryk på en vilkårlig knap på håndkontrollen efter BEEP.
3. Hvis det automatiske program skal starte igen med det samme, tryk og hold (R) knappen nede i 3 sekunder for at aktivere

4.8. Opladning af batteriet

Batteriet oplader, når systemet er koblet til strømforsyningen og er tændt.

Opladning af batteriet angives af en prik i nederst højre hjørne af skærmen.

Det tager cirka 12 timer at oplade batteriet helt.



Batteriet oplader IKKE, hvis fejlen E03 eller E04 opstår.

4.9 Nøddudløsning af en vinge

I tilfælde af strøm- eller motorfejl kan en nøddudløsning af vingen være nødvendig.



FORSIGTIG !

Risk of injury

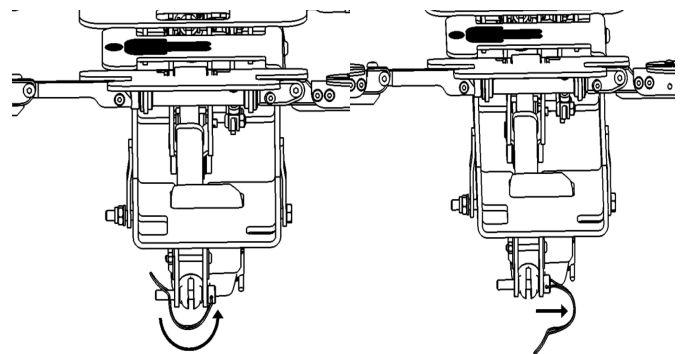
- Nøddudløsning af vinge kræver mindst to personer.
- Ved nøddudløsning af vinge kan sænkningen ske hurtigt. Undlad at række ind under vingen, mens den lægges ned.



VIKTIGT!

- Tag stikket ud af stikkontakten før nøddudløsning af madrassbunden.

1. Begge personer skal holde madrassafsnittet.
2. Den ene person skal lokalisere den pågældende motor og trække sikkerhedsstiften ud.



3. Når sikkerhedsstiften er fjernet, løftes motoren ud af bæreren og sænk langsomt vingen.

5 Programmering

5.1 Individuelt definerede programmer

Program 1 og 2 kan defineres individuelt af plejeren ved at indstille vingernes vinkler og tiderne for, hvor lang tid de forskellige positioner skal holdes.

Definition af vinkler

Vinklerne for venstre og højre vinge i den første sideposition kan defineres individuelt. Den anden (modsatte) sideposition defineres automatisk som en spejling af den første sideposition.

- Hvis vinklen for den ene vinge indstilles til mellem 13° og 40°, defineres denne vinge som den "primære vinge".
- Den modsatte vinge defineres derefter som den "sekundære vinge", og de mulige vinkler for vinge begrænses til mellem 0° og 12°.

To funktioner for den vinge, som slutbrugeren ligger på (f.eks. venstre vinge, hvis slutbrugeren ligger på venstre side):

- Hvis vinklen på den sekundære vinge er indstillet til 0°, hæves den med 12° i løbet af vendebevægelsen og flyttes til en vandret position, 5 sekunder efter at den primære vinge har nået sin indstillede vinkel, så slutbrugeren hviler på en flad sekundær vinge.
- Hvis vinkelværdien for den sekundære vinge er indstillet til mellem 1° og 12°, bliver den ved med at være hævet i den valgte vinkel i en sideposition, og slutbrugeren hviler på en hævet sekundær vinge.



FORSIGTIG!

Risiko for at falde

Hvis den sekundære vinge forbliver hævet, mens slutbrugeren hviler i en sideposition, mindskes afstanden til toppen af sengehesten.

- Brug kun sengehestene, der er angivet til denne situation, i 9 Tekniske Data, side 44

Definition af tiden:

Tiderne for de to sidepositioner og den flade position kan defineres individuelt mellem 000 og 180 minutter.



Det er muligt at vælge, om flad position, venstre eller højre side skal starte med det samme.

Hvis tiden for den ene sideposition er indstillet til 000 minutter:

- programmet begynder overgangen fra den flade position til den første position efter det valgte tidsrum.
- programmet skifter kun mellem den flade position og den anden sideposition (f.eks. flad-højre-flad-højre- ...).

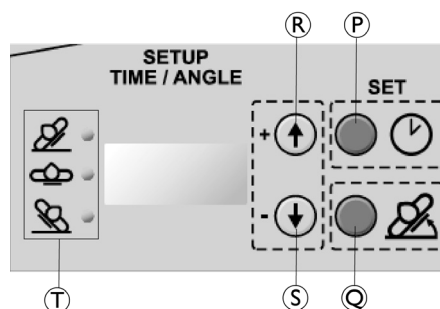
Hvis tiden for den flade position er indstillet til 000 minutter:

- programmet starter med det samme efter aktivering med overgangen til den første sideposition.
- programmet skifter kun mellem de to sidepositioner (f.eks. venstre-højre-venstre-højre- ...).

Hvis tidsværdien for den flade position er indstillet til mellem 3 og 180 minutter:

- programmet begynder overgangen fra den flade position til den første position efter det valgte tidsrum.
- programmet skifter altid til en flad position mellem de to sidepositioner (f.eks. flad-højre-flad-venstre-flad-højre...).
















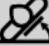
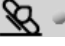




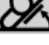




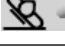


5.2 Sådan programmeres de individuelle automatiske programmer



- P Knap til indstilling af tid/start af programmeringstilstand
- Q Knap til indstilling af vinkel
- R Justeringsknap – plus (forøg værdierne for tid og vinkel)
- S Justeringsknap – minus (formindsk værdierne for tid og vinkel)
- T Positionsindikatorer (LED'er)
 - Højre (top) = højre vinge eller position
 - Flad (midt) = begge vinger i vandret position
 - Venstre (bund) = venstre vinge eller position

Først programmeres den tid, hvori vingerne er i hævet eller flad position for program 1 eller program 2, derefter programmeres vinklerne og til sidst angives om Soft Tilt skal starte med at tilte til enten højre side, venstre side eller i flad position.

Trin	Funktion	Display	LED	Note	
1	Tryk og hold i 3 sek.		SEL	ingen	Start programmeringstilstanden
2	Tryk		P1	P1	Vælg det program, der skal indstilles
	eller		P2	P2	
3	Tryk		010	P1 eller P2 og Højre	Tidsværdien vises i displayet
4	Tryk		001	P1 eller P2 og Højre	Indstil tiden mellem 000 og 180 minutter (0, 3, 10-180 i intervaller på +/- 10 min.)
			020		
5	Tryk		010	P1 eller P2 og Flad	Tidsværdien vises i displayet
6	Tryk		001	P1 eller P2 og Flad	Indstil tiden mellem 000 og 180 minutter (0, 3, 10-180 i intervaller på +/- 10 min.)
			020		

Trin	Funktion	Display	LED	Note
7	Tryk  	010	P1 eller P2 og Venstre 	Tidsværdien vises i displayet
8	Tryk  	001 020	P1 eller P2 og Venstre 	Indstil tiden mellem 000 og 180 minutter (0, 3, 10-180 i intervaller på +/- 10 min.)
9	Tryk  	A	Ingen	enkelt *BIP* = tiden er nu indstillet.
10	Tryk  	015	P1 eller P2 og Højre 	Vinkelværdien vises i displayet
11	Tryk  	014 016	P1 eller P2 og Højre 	Indstil vinklen mellem 00 og 40 grader (interval på +/- 1 grad)
12	Tryk  	010	P1 eller P2 og Venstre 	Vinkelværdien vises i displayet
13	Tryk  	009 011	P1 eller P2 og Venstre 	Indstil vinklen mellem 00 og 40 grader (interval på +/- 1 grad)
14	Tryk  	-	Ingen	dobbelt *BIP* = vinklen er nu indstillet, og hele programmet er gemt.
15	Tryk  	SEL	Højre  Flad  Venstre 	Indstil, hvilken side Soft Tilt skal starte, HØJRE, FLAD eller VENSTRE.
16	Tryk  	-	Ingen	triple * BIP * = startside er valgt, og hele programmet gemmes.



- Programmeringstilstanden lukkes automatisk ned uden at gemme, hvis der ikke trykkes på nogen knapper i 2 minutter.

5.3 Progameksempler til automatisk lettelse af belastning

- Slutbrugeren vendes fra højre side til flad position til venstre side og ligger altid på en flad vinge.
 - Vinkel for primær vinge = 13°-40°
 - Vinkel for sekundær vinge = 0°
 - Tid for højre, flad og venstre position > 0 min.
- Slutbrugeren vendes fra højre til flad position til venstre side og ligger altid på en lidt hævet vinge.
 - Vinkel for primær vinge = 13°-40°
 - Vinkel for sekundær vinge = 1°-12°
 - Tid for højre, flad og venstre position > 0 min.

Dette program kræver "høje" sengeheste.

- Slutbrugeren vendes fra højre side til venstre side og ligger aldrig i flad position og altid på en flad vinge.
 - Vinkel for primær vinge = 13°-40°
 - Vinkel for sekundær vinge = 0°
 - Tid for flad position = 0 min.
 - Tid for venstre og højre position > 0 min.
 - se afsnittet *Rækkefølge for automatisk program som eksempel*.
- Slutbrugeren vendes fra højre side til venstre side og ligger aldrig i flad position og altid på en lidt hævet vinge (holderfunktion).
 - Vinkel for primær vinge = 13°-40°
 - Vinkel for sekundær vinge = 1°-12°
 - Tid for flad position = 0 min.
 - Tid for venstre og højre position > 0 min.

Dette program kræver "høje" sengeheste.

- Slutbrugeren vendes fra en side til flad position og tilbage til samme side og ligger altid på en flad vinge.
 - Vinkel for primær vinge = 13°-40°
 - Vinkel for sekundær vinge = 0°
 - Tid for flad position > 0 min.
 - Tid for venstre og højre sideposition = 0 min.

- Slutbrugeren vendes fra en side til flad position og tilbage til samme side og ligger altid på en let hævet vinge.
 - Vinkel for primær vinge = 13°-40°
 - Vinkel for sekundær vinge = 1°-12°
 - Tid for flad position > 0 min.
 - Tid for venstre og højre sideposition = 0 min.
 Dette program kræver "høje" sengeheste.
- Begge vinger hævet til den samme vinkel uden flytning (omvendt kram).
 - Vinkel for primær og sekundær vinge = 10°-12°
 - Tid for flad position = 0 min.
 - Tid for venstre og højre position > 0 min (de indstillede værdier er ikke relevante – se nedenfor)



Der sker ingen automatisk flytning, når begge vinger er indstillet til den samme vinkel. Derfor har de tider, der er indstillet for venstre eller højre sideposition, ingen påvirkning.

6 Vedligeholdelse

6.1 Oplysninger om generel vedligeholdelse

! VIGTIGT!

Service og vedligeholdelse af Soft Tilt skal udføres sammen med sengen.

- For detaljerede oplysninger om vedligeholdelsesprocedurer og tjeklister se brugervejledning og / eller servicemanual til sengen, der bruges i kombination med Soft Tilt.

6.2 Rengøring og desinfektion



FORSIGTIG!

Risiko for smitte

- Tag forholdsregler og brug passende beskyttelsesudstyr.

! VIGTIGT!

Forkerte væsker eller metoder kan beskadige produktet.

- De anvendte rengørings- og desinfektionsmidler skal være effektive og kunne anvendes sammen, og de må ikke angribe de materialer, der rengøres.
- Brug aldrig korroderende væsker (basiske rengøringsmidler, syre osv.) eller slibende rengøringsmidler. Vi anbefaler et almindeligt husholdningsrengøringsmiddel som f.eks. opvaskesæbe, hvis der ikke angives andet i rengøringsanvisningerne.
- Brug aldrig opløsningsmidler (cellulosefortynder, acetone osv.), der ændrer plastens struktur eller opløser de påsatte mærkater.
- Sørg altid for, at produktet er helt tørt, før det tages i brug igen.

Elektriske komponenter

! VIGTIGT!

IP-klassificeringen bestemmer, om de elektriske komponenter kan vaskes af.

Elektronik klassificeret som IPx6 kan IKKE vaskes af med vandstrålebaseret rengøringsudstyr eller i et vaskerør.

Elektronik klassificeret IP66 kan vaskes med et jet-baseret rengøringsudstyr, men IKKE i en vasketunnel.

- IP-klassificeringen er anført på seriemærkaterne på de elektriske komponenter.
- Bemærk også, at komponenterne kan have forskellige klassificeringer.
- Den laveste IP-klassificering bestemmer kombinationens samlede klassificering.

Tekstiler

Se vedhæftet mærkat på tekstilet for detaljerede vaskeinstruktioner.

Sørg for, at skumstøtten fra fodenden af kappen tages ud, før du lægger kappen i en vaskemaskine.

Generel rengøringsmetode

Metode: Tør af med en våd klud eller en blød børste.

Maks. temp.: 40 °C

Opløsningsmiddel/kemikalier: Mildt rengøringsmiddel eller sæbe og vand.

! VIGTIGT!

Fordetaljerede oplysninger om rengøringsmetoder se instruktionerne i brugermanualen til sengen, der bruges.

Rengøringsintervaller

! VIGTIGT!

Regelmæssig rengøring og desinfektion forbedrer jævn drift, øger levetiden og forhindrer smitte.

Rengør og desinficer produktet

- før og efter enhver serviceprocedure
- når det har været i kontakt med kropsvæsker,
- før det anvendes til en ny bruger.

6.3 Batteri

Vi anbefaler, at batteriet efterses hver 6. måned:

1. Løft begge vinger, og frakobl strømledningen.
2. Tryk på TÆND/SLUK knappen (A), og sørg for, at begge vinger flytter til vandret position.

Vi anbefaler, at batteriet udskiftes efter 4 år – ring til forhandleren/teknikeren med henblik på at få udskiftet batteriet.

Opbevaring

! VIGTIGT!

Før opbevaring af Soft Tilt skal det sikres, at systemet er helt slukket, og at der er trykket på nødstopknappen, så batteriet ikke aflades.

7 Efter brug

7.1 Bortskaffelse af affald



FORSIGTIG!

Miljøfare

Enheden indeholder batterier.

Dette produkt kan indeholde stoffer, der kan være skadelige for miljøet, hvis de bortskaffes på steder (deponeringsanlæg), som ikke er passende i henhold til lovgivningen.

- Bortskaf IKKE batterier i almindeligt husholdningsaffald.
- Batterier SKAL føres til et korrekt bortskaffelsessted. Retur kræves ifølge lov og er gratis.
- Bortskaf kun afladede batterier.
- For information om batteritypen, se batterimærkning eller kapitel 9 *Tekniske data*, side 44.

Vær miljømæssig ansvarlig og genanvend dette produkt gennem dit genbrugsanlæg, ved afslutning af dets levetid.

Demonter produktet og dets komponenter, så de forskellige materialer kan adskilles og genanvendes individuelt.

Bortskaffelse og genanvendelse af brugte produkter og emballage skal være i overensstemmelse med lovgivningen og forskrifterne for håndtering af affald i hvert land. Kontakt dit lokale affaldshåndteringsfirma for information.

Vi anvender udelukkende materialer og komponenter, der overholder REACH-direktivet.

- Alle elektriske dele skal afmonteres og bortskaffes som elektriske komponenter.
- Plastikdele skal afmonteres og sendes til forbrænding eller genbrug.
- Ståledele skal bortskaffes som affaldsmetaller.

7.2 Genanvendelse

Dette produkt er egnet til genbrug. For at genanvende produktet til en ny bruger, skal du udføre følgende handlinger:

- Inspektion, rengøring og desinfektion som beskrevet i kapitel 6 *Vedligeholdelse*, side 40.

8 Fejlfinding

8.1 Fejlfinding i det elektriske system

Fejl	Display (blinker i intervaller på 0,5 sekunder mellem to koder)		Akustisk signal	LED (blinker rødt)	Kommentar	Løsning
Blokering på motor VENSTRE Overbelastning af venstre motor	E01	E0	10 bip med 1 sek. TIL og 1 sek. FRA Når motoren forsøges aktiveret igen: 1 bip i 1 sek.	Venstre	kun i automatisk tilstand (intet display, akustisk signal og blinkende LED i manuel tilstand)	Kontrollér følgende på kablerne til og fra motoren: - Kablet er ikke beskadiget. - Kablet er koblet korrekt til motoren. - Kabelstikket er isat korrekt og er intakt.
Blokering på motor HØJRE Overbelastning af højre motor	E02	E0		Højre		
Batteri-tilstand: Strømsvigt ELLER Nødstoppet er aktiveret	E03	E0	4 bip med 1 sek. TIL og 1 sek. FRA		<ul style="list-style-type: none"> - første akustiske signal ved frakobling fra strømforsyningen, - ELLER nødstoppet er aktiveret. Systemet skifter til batteritilstand, og vingerne stopper med at bevæge sig og bliver i deres aktuelle position. - anden akustiske signal efter 20 min. - tredje akustiske signal efter 40 min. - Efter 60 min. skifter systemet til fejlen for lavt batteriniveau (E04). 	Tilslut strømmen OG/ELLER deaktiver nødstoppet for at oplade og kontrollere batteri (se kapitlet <i>Vedligeholdelse</i> for at få flere oplysninger).
Lavt batteriniveau	E04	E0	4 bip med 1 sek. TIL og 1 sek. FRA		<ul style="list-style-type: none"> - første akustiske signal lyder, når der registreres lavt batteriniveau, - mens systemet er i batteritilstand. - Der lyder yderligere akustiske signal hvert 20. minut, indtil systemet slukkes for at spare batteristrøm til en CPR sænkning. 	
Systemet kan ikke tændes					Selvom systemet er koblet til strømforsyningen, kan det ikke tændes.	Kontrollér, om nødstoppet er aktiveret, og deaktiver det om nødvendigt.



Tryk på TÆND/SLUK knappen for at nulstille en FEJL, og prøv igen.

Hvis ovenstående ikke løser problemerne, skal du kontakte din forhandler eller Invacare-forhandleren.

8.2 Programmeringsfejl

Fejlvisning af forkert opsætning af værdier for program 1 eller 2


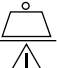
Fejl	Display	Lydsignal	Kommentar
Program 1 eller 2	E40 i 4 sek.	2 bip på 5 sek. TIL og 1 sek. FRA	<p>Indtræffer ved aktivering af program 1 eller 2 med forkert indstillede tidsværdier.</p> <p>Følgende kombination af tidsværdier for venstre, højre og flad position er defineret som forkert indstillet:</p> <ul style="list-style-type: none"> -Alle tre tidsværdier = 0 min. -Kun én tidsværdi > 0 min./to tidsværdier = 0 min. -Hvis programmerer en side til 0 min og vælger den samme side til at starte.

9 Tekniske Data

9.1 Egenskaber

Automatisk drift	ja
Maks. vinkel i manuel tilstand	80°
Maks. vinkel i automatisk tilstand	primær vinge = 40° sekundær vinge = 12°
Vinkelværdier i automatisk tilstand	0°–40° (interval på +/- 1°)
Tidsværdier i automatisk tilstand	0, 3, 10–180 min (intervaller på +/- 10 min.)

9.2 Vægt

	Maks. brugervægt (forudsat at madrassens vægt ikke overstiger 20 kg)	165 kg
	Maks. vægt for sikker arbejdsbelastning (inklusive madras)	185 kg

Vægt for Soft Tilt-komponenter

Komplet (hovedmodul og 4 arme)	31 kg
Hovedendearm (1 stk.)	3.8 kg
Fodendearm (1 stk.)	2.6 kg
Hovedmodul	18.2 kg
Styreboks	2.5 kg

9.3 Tilladte madrastørrelser

Madrashøjde og sengehestenes kompatibilitet

! VIGTIGT!

Afhængigt af om slutbrugeren i en sideposition ligger på en flad vinge (vandret madras), ELLER om den vinge, som slutbrugeren ligger på, er hævet op til 12°, er der behov for forskellige kombinationer af madrasser og sengeheste (se det relevante diagram nedenfor).

–Slutbrugeren ligger på en flad vinge

Tilladt madrashøjde, når slutbrugeren ligger på en flad vinge (sekundær vinge = 0°).

Sengehest	Madrashøjde
Ane/ Ane(83/85)	10–14 cm
Ane High / Ane High(83/85)	14–24 cm
Freya/Embla	10-13 cm
Freya / Embla forlænget med højdeforlængelse til sengehest monteret*- forlænger højden med 6 cm	11–19 cm
Freya / Embla forlænget med højdeforlængelse til sengehest monteret*- extend-forlænger højden med 10 cm	15-23 cm

*Skal afmonteres, når sengehesten er klappet sammen, og slutbrugeren står ud af sengen.

–Slutbrugeren ligger på en hævet vinge

Tilladt madrashøjde, når slutbrugeren ligger på en vinge, der er hævet op til 12° (sekundær vinge = 1-12°).

Sengehest	Madrashøjde
Ane High / Ane High(83/85)	14–18 cm
Freya / Embla forlænget med højdeforlængelse til sengehest monteret*- forlænger højden med 6 cm	11–13 cm
Freya / Embla forlænget med højdeforlængelse til sengehest monteret*- forlænger højden med 10 cm	15-17 cm

*Skal afmonteres, når sengehesten er klappet sammen, og slutbrugeren står ud af sengen.

Madrasbredde og -længde afhængigt af sengens bredde og sengeheste

Sengehest	Tilladt madrasbredde	Min. længde	Sengens bredde
Ane (83/85) / Ane High (83/85)	83–85 cm	200 cm	90 cm
Ane / Ane High / Freya / Embla / Freya / Embla forlænget med højdeforlængelse til sengehest monteret*- forlænger højden med 6 cm Freya / Emblaforlænget med højdeforlængelse til sengehest monteret*- forlænger højden med 10 cm	88-90 cm		



En madras med riller anbefales.





9.4 Miljøforhold

	Opbevaring og transport	Betjening
Temperatur	-10 °C til +50 °C	+5 °C til +40 °C
Relativ luftfugtighed	20 % til 75 %	
Atmosfærisk tryk	800 hPa til 1060 hPa	



Vær opmærksom på, at en seng, der har været opbevaret ved lave temperaturer, skal indstilles til betjeningsstilling, før den tages i brug.

9.5 Elektrisk system

Spændingsforsyning: Uin 230 spænding, AC, 50/60 Hz (AC = vekselstrøm)
Maks. indgangsstrøm: lin maks. 1,5 ampere
Intermitterende (periodisk motordrift): Int. = maks. 10 %, 2 min. TIL/18 min. FRA
Isoleringsklasse: KLASSE II 
Anvendt del af type B  Den anvendte del overholder de angivne krav om beskyttelse mod elektrisk stød iht. IEC60601-1. En anvendt del er en del af det medicinske udstyr, der er designet til at komme i fysisk berøring med patienten, eller en del, der sandsynligvis kommer i berøring med patienten.
Battery type: LP 12-0.8 (12 V 0.8AH) Forseglet blybatteri  
Konstant spændingsladning: <ul style="list-style-type: none"> • Standby-brug: 13,5-13,8 V • Cyklusbrug: 14.4-15.0 V • Indledende strøm: Mindre end 0,24 A
Lydniveau: 58,5 dB(A)
Beskyttelsesgrad: IPx6* eller IP66** Hovedmodulet, aktuatorerne og håndbetjeningen er beskyttet i henhold til IPx6. Styreboksen er beskyttet i henhold til IP66.

* IPX6-klassificering betyder, at det elektriske system er beskyttet mod vandsprøjt fra alle retninger (ikke højt tryk).

** IP66-klassificering betyder, at det elektriske system er beskyttet mod højtryk vandstråler projiceret fra enhver retning og fuldt beskyttet mod støv og andre partikler, inklusive en vakuumforsegling.

10 Elektromagnetisk kompatibilitet (EMC)

10.1 Generelle oplysninger om elektromagnetisk kompatibilitet (EMC)

Elektromedicinsk udstyr skal installeres og anvendes i overensstemmelse med oplysningerne om elektromagnetisk kompatibilitet (EMC) i denne brugsanvisning.

Dette produkt er testet og fundet i overensstemmelse med de tilladte grænser for elektromagnetisk kompatibilitet i henhold til IEC/EN 60601-1-2 for klasse B udstyr.

Bærbart og mobilt RF-kommunikationsudstyr kan indvirke på produktets funktionsdygtighed.

Ved andre apparater kan der forekomme interferens selv fra de lave niveauer for elektromagnetiske emissioner, der er tilladt i henhold til ovennævnte standard. For at afgøre, om det er emissionen fra dette produkt, der forårsager interferensen, kan dette produkt startes og stoppes. Hvis interferensen med det andet udstyr ophører, er det dette produkt, der er årsag til interferensen. I sådanne sjældne tilfælde kan interferensen reduceres eller afhjælpes på følgende måde:

- Placér apparaterne anderledes, flyt dem, eller øg afstanden mellem dem.

10.2 Elektromagnetisk emission

Vejledning og producentens erklæring

Dette produkt er beregnet til brug i et elektromagnetisk miljø som angivet nedenfor. Kunden eller brugeren af dette produkt skal sørge for, at det anvendes i et sådant miljø.


Emissionstest	Overensstemmelse	Elektromagnetisk miljø - vejledning
RF-emissioner CISPR 11	Gruppe I	Dette produkt anvender udelukkende RF-energi til de interne funktioner. Dens RF-emissioner er derfor meget lave og burde ikke medføre interferens med andet elektronisk udstyr i nærheden.
RF-emissioner CISPR 11	Klasse Bation	Dette produkt er egnet til brug i alle bygninger, herunder private hjem og bygninger, der er tilsluttet det offentlige lavspændingsnetværk, som forsyner bygninger, der anvendes til bopælsformål.
Harmoniske emissioner IEC 61000-3-2	Klasse A	
Spændingsudsving/flickeremissioner IEC 61000-3-3	Opfylder kravene	


10.3 Electromagnetic Immunity

Vejledning og producentens erklæring

Dette produkt er beregnet til brug i et elektromagnetisk miljø som angivet nedenfor. Kunden eller brugeren af dette produkt skal sørge for, at det anvendes i et sådant miljø.

Immunitetstest	Test-/ overensstemmelses-niveau	Elektromagnetisk miljø – vejledning
Elektrostatisk udladning (ESD) IEC 61000-4-2	± 8kV ved kontakt ± 2 kV, ± 4 kV, ± 8 kV, 15 kV via luft	Gulve skal være af træ, beton eller keramiske fliser. Hvis gulvene er belagt med syntetisk materiale, skal den relative luftfugtighed være mindst 30 %.
Hurtige elektriske overspændinger/strømsstød IEC 61000-4-4	± 2 kV strømforsyningsledninger; 100 kHz repetitionsfrekvens ± 1 kV for indgangs-/udgangsledninger; 100 kHz repetitionsfrekvens	El-forsyning via el-nettet skal være af den kvalitet, som er normal i erhvervs- og hospitalsmiljø.
Overspænding IEC 61000-4-5	± 1 kV ledning til ledning ± 2 kV ledning til jordforbindelse	El-forsyning via el-nettet skal være af den kvalitet, som er normal i erhvervs- og hospitalsmiljø.

Immunitetstest	Test-/ overensstemmelses-niveau	Elektromagnetisk miljø – vejledning
Spændingsfald, korte afbrydelser og spændingsudsving i strømforsynings-ledninger IEC 61000-4-11	< 0 % U_T i 0,5 cyklus i trin på 45° 0 % U_T i 1 cyklus 70 % U_T i 25/30 cyklusser < 5 % U_T i 250/300 cyklusser	El-forsyning via el-nettet skal være af den kvalitet, som er normal i erhvervs- og hospitalsmiljø. Hvis brugeren af dette produkt kræver uafbrudt brug under strømafbrydelser, anbefales det, at produktet tilsluttes en nødstrømsforsyning (UPS) eller et batteri. U_T er netspændingen før testniveauet.
Netfrekvens-magnetfelt (50/60 Hz) IEC 61000-4-8	30 A/m	Netfrekvensmagnetfeltet skal være på samme niveau som ved anvendelse i et typisk erhvervs- eller hospitalsmiljø.
Ledningsbåren RF IEC 61000-4-6	3V 150 kHz til 80 Mhz 6 V på ISM- og amatørradiofrekvensbånd	Feltstyrker fra faste sendere som f.eks. stationer til mobil- og trådløse telefoner, mobilradioer, amatørradioer, AM- og FM-radioudsendelser og tv-udsendelser kan ikke forudsiges teoretisk med nøjagtighed. Hvis det elektromagnetiske miljø forårsaget af faste RF-sendere skal vurderes, anbefales det at få foretaget en elektromagnetisk måling på stedet. Hvis den målte feltstyrke på det sted, hvor dette produkt anvendes, overstiger det gældende RF-overensstemmelsesniveau, der er angivet ovenfor, bør dette produkt overvåges nøje for at kontrollere, at det fungerer normalt. Hvis produktet ikke fungerer normalt, bør der tages yderligere forholdsregler, f.eks. ved at flytte dette produkt eller vende det i en anden retning.
Feltbåren RF IEC 61000-4-3	10 V/m 80 Mhz til 2,7 GHz Testspecifikationer på 385 MHz-5785 MHz vedrørende immunitet over for trådløst RF-kommunikationsudstyr kan ses i tabel 9 i IEC 60601-1-2:2014	Interferens kan forekomme i nærheden af udstyr, der er mærket med følgende symbol:  Bærbart og mobilt RF-kommunikationsudstyr må ikke bruges tættere end 30 cm på nogen del af dette produkt, inklusive kabler.

 Der kan forekomme situationer, hvor disse retningslinjer ikke gælder. Elektromagnetisk strålingsspredning påvirkes af absorption og refleksion fra bygninger, genstande og mennesker.

10. 3.1 Testspecifikationer for immunitet mod trådløst RF-kommunikationsudstyr

IEC 60601-1-2:2014 — Tabel 9

Testfrekvens (MHz)	Bånd ^{a)} (MHz)	Service ^{a)}	Modulation ^{b)}	Maks. strøm (W)	Afstand (m)	Immunitetsniveau (V/m)
385	380 - 390	TETRA 400	Impulsmodulation ^{b)} 18 Hz	1.8	0.3	27
450	430 - 470	GMRS 460, FRS 460	FM ^{c)} ± 5 kHz afvigelse 1 kHz sine	2	0.3	28
710 745 780	704 - 780	LTE Band 13,17	Impulsmodulation ^{b)} 217 Hz	0.2	0.3	9
810 870 930	800 - 960	GSM 800/900, TETRA 800, iDEN 820, CDMA 850, LTE Band 5	Impulsmodulation ^{b)} 18 Hz	2	0.3	28

Testfrekvens (MHz)	Bånd ^{a)} (MHz)	Service ^{a)}	Modulation ^{b)}	Maks. strøm (W)	Afstand (m)	Immunitetsniveau (V/m)
1720 1845 1970	1700 - 1990	GSM 1800; CDMA 1900; GSM 1900; DECT; LTE Band 1, 3, 4, 25; UMTS	Impulsmodulation ^{b)} 217 Hz	2	0.3	28
2450	2400 - 2570	Bluetooth, WLAN, 802.11 b/g/n, RFID 2450, LTE Band 7	Impulsmodulation ^{b)} 217 Hz	2	0.3	28
5240 5500 5785	5100 - 5800	WLAN 802.11 a/n	Impulsmodulation ^{b)} 217 Hz	0.2	0.3	9



Hvis det er nødvendigt for at opnå immunitet testniveau kan afstanden mellem den transmitterende antenne og medicinsk elektrisk udstyr eller system reduceres til 1 m. Testafstanden på 1 m er tilladt af IEC 61000-4-3.

a) For nogle tjenester er kun uplink-frekvenserne inkluderet.

b) Operatøren moduleres under anvendelse af en 50% duty cycle firkantbølgesignal.

c) Som et alternativ til FM-modulering kan 50% pulsmulering ved 18 Hz anvendes, fordi selv om det ikke repræsenterer faktisk modulering, ville det være værste tilfælde.

Sisällysluettelo

Tämä opas on annettava loppukäyttäjälle. Lue tämä opas ENNEN tuotteen käyttöä. Säilytä opas myöhempää tarvetta varten.

1 Yleistä	50
1.1 Johdanto	50
1.1.1 Määritelmä	50
1.2 Tässä käyttöoppaassa käytetyt symbolit	50
1.3 Käyttötarkoitus	50
1.4 Käyttöikä	50
1.5 Takuutiedot	50
1.6 Rajoitettu vastuu	50
1.7 Vaatimustenmukaisuus	51
2 Turvallisuus	51
2.1 Yleisiä turvallisuustietoja	51
2.2 Tuotteen merkinnät ja symbolit	52
2.2.1 Tietokilpi	52
2.2.2 Muut merkinnät ja symbolit	52
3 Käyttöönotto	53
3.1 Yleisiä turvallisuustietoja	53
3.2 Toimituksen laajuus	53
3.3 Soft Tiltin asentaminen	53
4 Käyttö	56
4.1 Yleisiä turvallisuustietoja	56
4.2 Yleiskatsaus	56
4.3 Ohjainkotelon ja käsiohjain	56
4.4 On/Off ja nollaustoiminto	56
4.5 Häätäjarru	57
4.6 Manuaali käyttö	57
4.6.1 Suositellut toimenpiteet	57
4.7 Automaattinen käyttö	57
4.7.1 Automaattisen ohjelman toimintajakso	58
4.7.2 Automaattisen toiminnan tauko	58
4.8 Akun lataaminen	58
4.9 Siivekkeen hätävapautus	58
5 Ohjelmoiminen	59
5.1 Yksittäin määritetyt ohjelmat	59
5.2 Yksittäisten automaattiohjelmien ohjelmoiminen	60
5.3 Ohjelmaesimerkit automaattista paineenvapautusta varten	62
6 Huolto	63
6.1 Yleisiä huoltotietoja	63
6.2 Puhdistaminen ja desinfiointi	63
6.3 Akku	63
7 Käytön jälkeen	64
7.1 Hävittäminen	64
7.2 Kunnostus	64
8 Vianmääritys	65
8.1 Sähköjärjestelmän vianmääritys	65
8.2 Ohjelmointivirheet	66
9 Tekniset Tiedot	67
9.1 Ominaisuudet	67
9.2 Painot	67
9.3 Sallitut patjan koot	67
9.4 Ympäristöolosuhteet	67
9.5 Sähköjärjestelmä	68
10 Sähkömagneettinen yhteensopivuus (EMC)	69
10.1 Yleistä tietoa sähkömagneettisesta säteilystä	69
10.2 Sähkömagneettinen säteily	69
10.3 Sähkömagneettinen häiriönsietokyky	69
10.3.1 Testieritelmat häiriönsietokyvystä langattomille RF-viestintälaitteille	70

1 Yleistä

1.1 Johdanto

Tämä käyttöopas kuuluu Invacaren lisävarusteisiin, ja siinä on tärkeää tietoa tuotteen käsittelystä ja kokoonpanosta. Lue asiaankuuluvan tuotteen käyttöopas huolellisesti läpi ja noudata turvallisuusohjeita turvallisuuden takaamiseksi tuotetta käytettäessä.

Saat käyttöoppaan Invacaren verkkosivustosta tai ottamalla yhteyden Invacare-edustajaan. Katso osoitteet oppaan lopusta.

Invacare varaa oikeuden muuttaa tuotteiden teknisiä tietoja ilman erillistä ilmoitusta.

Varmista ennen oppaan lukemista, että käytössäsi on oppaan viimeisin versio. Viimeisin versio on saatavilla PDF-tiedostona Invacaren verkkosivustosta.

Jos painettu käyttöopas on kirjasinkoon vuoksi vaikealukuinen, voit ladata verkkosivustosta PDF-version. PDF-tiedoston voi suurentaa näytössä helpommin luettavaan kokoon.

Jos tuotteeseen liittyy vakava vaaratilanne, siitä on ilmoitettava valmistajalle ja käyttömaan toimivaltaiselle viranomaiselle.

1.1.1 Määritelmät

Kaikki oikealla ja vasemmalla olevat merkit perustuvat vuoteella selällään makaavaan potilaaseen, jonka pää on pääpäädyssä.

1.2 Tässä käyttöoppaassa käytetyt symbolit

Tässä oppaassa käytetään signaalisanoja, jotka viittaavat vaaroihin tai turvattomiin käytäntöihin, jotka saattavat aiheuttaa henkilö- tai omaisuusvahinkoja. Katso alta lisätietoja signaalisanojen määritelmistä.



VAROITUS
Osoittaa vaarallisen tilanteen, joka voi johtaa vakavaan vammaan tai kuolemaan, jos sitä ei vältetä.



HUOMIO
Osoittaa vaarallisen tilanteen, joka voi johtaa pieneen tai lievään vammaan, jos sitä ei vältetä.



TÄRKEÄÄ
Osoittaa mahdollisesti vaarallisen tilanteen. Jos sitä ei vältetä, se saattaa aiheuttaa omaisuusvahingon.



Vihjeet ja suositukset
Antaa hyödyllisiä vihjeitä, suosituksia ja tietoa tehokkaasta ja ongelmatonasta käytöstä.

1.3 Käyttötarkoitus

Soft Tilt ja ohjainyksikkö on tarkoitettu käyttöön 90 cm leveiden Invacare® Nordbed Optimo og Ultra -vuoteiden kanssa, joissa on sopivankorkuiset sivukaiteet (ks. kaavio kohdasta *9 Tekniset tiedot, s. 67*), sivukaiteiden suojuukset ja uritettu vaahtomuovipatja (ks. kokokaavio kohdasta *9 Tekniset tiedot, s. 67*)

- Osa hoidon yleistä makuuhaavojen ehkäisyohjelmaa.
- Vuoteenomana olevien loppukäyttäjien siirtämiseen vasemmalle tai oikealle kyljelle tai selälleen.
- Loppukäyttäjien tukena siirtymisessä vuoteeseen ja siitä pois.
- Automaattisessa tilassa käytettynä se on suunniteltu

50

- vähentämään loppukäyttäjiin kohdistuvaa painetta.
- Manuaalisessa tilassa käytettynä se on suunniteltu tukemaan hoitohenkilöstöä loppukäyttäjän kääntämisessä kyljeltä toiselle vuoteessa.
- Se sopii käytettäväksi kaikissa kotihoidon, asumisen mahdollistavan hoidon ja sairaanhoidon ympäristöissä.
- Soveltuu vain sisäkäyttöön.

Käyttöaiheet

Soft Tilt -rungon kohdepotilasryhmä on

- aikuiset vuodepotilaat, jotka ovat osittain tai täysin liikkumattomia
- painehoitoa tarvitsevat
- vuoteeseen hoidettavat eli esim. henkilökohtaisen hygienian ja pukeutumisen suhteen autettavat. Tämä loppukäyttäjärhmä siirretään usein vuoteesta tuoliin nostimella tai manuaalisesti hoitohenkilöstön auttamana ja teknisen apuvälineen, kuten rollaattorin, tukemana.

Vasta-aiheet

Soft Tilt -runkoa ei ole tarkoitettu psykiatristen, levottomien tai ahdistuneiden loppukäyttäjien tai kouristelevien henkilöiden käyttöön.

Varotoimet

- Ennen Soft Tilt -rungon käyttöä on tärkeää arvioida, sopiiko Soft Tilt loppukäyttäjälle.
- Turvallisuussyistä loppukäyttäjä ei saa käyttää Soft Tilt -runkoa itse.



VAROITUS!

Muunlainen tai asiaton käyttö saattaa aiheuttaa vaaratilanteita. Invacare ei vastaa tuotteen käytöstä, muutoksista tai kokoamisesta, joita ei ole esitetty tässä käyttöoppaassa.

1.4 Käyttöikä

Tämän tuotteen odotettavissa oleva käyttöikä on viisi vuotta, kun sitä käytetään päivittäin tässä oppaassa ilmoitettujen turvallisuusohjeiden ja käyttötarkoituksen mukaan. Tehokas käyttöikä voi vaihdella sen mukaan, miten usein ja voimakkaasti tuotetta käytetään.

1.5 Takuutiedot

Annamme valmistajan takuun tuotteelle yleisten liiketoimintaehtojemme mukaisesti vastaavissa maissa.

Takuuvaatimuksia voi tehdä vain sen myyjän kautta, jolta tuote ostettiin.

1.6 Rajoitettu vastuu

Invacare ei vastaa seuraavista johtuvista vahingoista:

- käyttöoppaan noudattamatta jättäminen
- väärä käyttö
- luonnollinen kuluminen
- ostajan tai kolmannen osapuolen toteuttama väärä kokoonpano tai asennus
- tekniset muutokset
- luvattomat muutokset ja/tai soveltumattomien varaosien käyttö.

1.7 Vaatimustenmukaisuus

Tässä tuotteessa on lääketieteellisiä laitteita koskevan asetuksen 2017/745 luokan 1 mukainen CE-merkintä. Tämän tuotteen markkinoillesaattamispäivä on ilmoitettu CE-vaatimustenmukaisuusvakuutuksessa.

2 Turvallisuus

2.1 Yleisiä turvallisuustietoja



VAROITUS!

Yhteensopivuus vain Invacare® Nordbed Optimo og Ultra -vuoteiden kanssa

Tätä Solft Tilt -version erityissuunniteltua runkoa saa käyttää vain 90 cm leveiden Invacare® Nordbed Optimo og Ultra -vuoteiden kanssa.



VAROITUS!

Kaatumisvaara

Jos Soft Tilt -runkoa käytetään ilman sivukaiteita tai väärin sivukaiteiden kanssa, loppukäyttäjä voi pudota vuoteesta.

- Älä koskaan käytä Soft Tilt -runkoa vuoteessa ilman sivukaiteita.
- Käytä Soft Tilt -runkoa vain kohdassa 9 Tekniset Tiedot, sivu 67 lueteltujen Invacare-sivukaiteiden kanssa.
- Varmista aina, että sivukaide on ylhäällä sillä puolella vuodetta, jolla ei ole hoitohenkilöstöä, TAI että vuoteen molemmilla puolilla on yksi hoitohenkilöstön jäsen, kun manuaalista tilaa käytetään.
- Varmista, aina että molemmat sivukaiteet ovat ylhäällä, kun automaattinen tila on käytössä.



VAROITUS!

Puristumis- ja/tai tukehtumisvaara

Jos sivukaiteita käytetään ilman suojusta tai hengittämättömän suojuksen kanssa, loppukäyttäjälle voi aiheutua puristumis- ja/tai tukehtumisvaara.

- Käytä aina hengittävää suojusta sivukaiteissa, kun Soft Tilt on käytössä.



VAROITUS!

Putoamis- ja/tai puristumisvaara

- Tee aina riskiarvio loppukäyttäjän kunnosta ja liikuntakyvystä.
- Älä koskaan käytä Soft Tilt -runkoa, jos loppukäyttäjä on ahdistunut tai levoton.
- Varmista aina, että loppukäyttäjä on vuoteen keskellä ja kaikki ruumiinosat ovat patjalla, ennen kuin siivekkeitä siirretään.
- Älä koskaan jätä loppukäyttäjää valvomatta, kun manuaalista tilaa käytetään.
- Loppukäyttäjä ei saa koskaan siirtyä pois vuoteesta tai vuoteeseen, kun siivekkeitä siirretään manuaalisesti, tai automaattinen tila on käytössä.
- Käsiohjaimen tulee olla aina hoitajan käytössä.



VAROITUS!

Henkilövamman tai omaisuusvahingon vaara

Johtojen virheellinen käsittely voi aiheuttaa sähköiskun ja tuotevian.

- Älä kierrä, leikkaa tai muuten vahingoita virtajohtoa.
- Älä anna pyörien kulkea virtajohtoa yli.
- Pidä virtajohto loitolla liikkuvista osista.
- Irrota pistoke pistorasiasta ennen vuoteen liikuttamista.
- Varmista, että johdot (verkkovirtajohto tai muiden laitteiden johdot) eivät ole juuttuneet kiinni tai vahingoittuneet, kun vuode on käytössä.
- Pidä vuoteen osat ja lisävarusteet vähintään 30 cm:n päässä kuumista pinnoista ja poissa suorasta auringonvalosta.

Patjat



VAROITUS!

Sivukaiteiden ja patjojen yhdistelmiin liittyvät turvallisuuseikat:

Jotta vuoteen ja sivukaiteiden yhdistelmä olisi mahdollisimman turvallinen, on noudatettava taulukossa mainittuja patjojen vähimmäis- ja enimmäismit-toja.

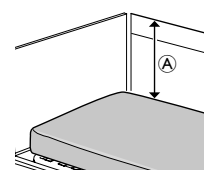
- Katso tarkat patjan mitat patjataulukoista luvussa 9 Tekniset Tiedot, s. 67.



VAROITUS!

Puristumis- ja/tai tukehtumisvaara

- Loppukäyttäjä voi jäädä kiinni ja/tai tukehtua, jos patjan reunan ja sivukaiteen sisäpuolen välissä on vaakasuorassa liikaa tilaa. Noudata sivukaiteen kanssa käytettävän patjan vähimmäisleveyttä (ja -pituutta), jotka on kerrottu patjataulukossa luvussa 9 Tekniset Tiedot, s. 67.
- Ota huomioon, että erittäin paksujen tai pehmeiden patjojen (pienitiheyksinen) tai niiden yhdistelmän käyttäminen lisää vaaraa.



VAROITUS!

Kaatumisvaara

Loppukäyttäjä voi pudota reunan yli ja vammautua vakavasti, jos patjan yläosa ja sivukaiteen vuoteenpäädyn reuna ovat pystysuorassa liian lähellä toisiaan [Ⓐ]. Katso kuva edellä.

- Pidä aina vähintään 22 cm etäisyyttä [Ⓐ] siivekkeeseen sillä puolella, jolla käyttäjä makaa (toissijaista siivekettä nostettu enintään 12°:seen).
- Noudata sivukaiteen kanssa käytettävän patjan enimmäiskorkeutta, joka on kerrottu patjataulukossa luvussa 9 Tekniset Tiedot, s. 67.

Sähkömagneettiset häiriöt



VAROITUS!

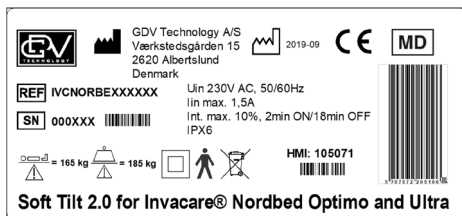
Sähkömagneettisesta häiriöstä johtuva toimintahäiriön vaara

Tämän tuotteen ja muiden sähkölaitteiden välillä voi esiintyä sähkömagneettista säteilyä, joka voi häiritä tuotteen sähköisiä säätötoimintoja. Tällaisten sähkömagneettisten häiriöiden ehkäiseminen, vähentäminen tai poistaminen:

- Vältä sähkömagneettisen säteilyn lisääntymistä ja tuotteen sähkömagneettisen häiriönsietokyvyn heikkenemistä käyttämällä vain alkuperäisiä johtoja, lisävarusteita ja varaosia.
- Älä käytä kannettavaa radiotaajuista (RF) tietoliikennelaitteistoa alle 30 cm:n etäisyydellä tämän tuotteen mistään osasta (johdot mukaan lukien).
- Älä käytä tätä tuotetta käytössä olevien korkea-taajuisten kirurgisten laitteiden lähellä tai magneettikuvausjärjestelmän radiotaajuussuojatusta huoneessa, jossa on paljon sähkömagneettisia häiriöitä.
- Jos häiriöitä ilmenee, siirrä tämä tuote ja muut laitteet kauemmaksi toisistaan tai katkaise laitteen virta.
- Katso tarkemmat tiedot ja noudatettavat ohjeet luvusta 10 *Sähkömagneettinen yhteensopivuus (EMC)*, s. 69.

2.2 Tuotteen merkinnät ja symbolit

2.2.1 Tietokilpi



Tietokilpi on Soft Tilt -rungon päämoduulissa, ja siinä on tärkeimmät tuotetiedot, muun muassa tekniset tiedot.

Symbolit

	Sarjanumero
	Viitenumero
	Valmistajan osoite
	Valmistuspäivä
	Käyttäjän enimmäispaino
	Suurin turvallinen työskentelykuorma
	Tyyppin B sovellettu osa
	Sähkö- ja elektroniikkalaiteromusta (WEEE) annetun direktiivin mukainen
	Eurooppalainen vaatimustenmukaisuus
	Lääketieteellinen laite
	Eristysluokka 2
	Kierrätettävä akku

Teknisten tietojen lyhenteet:

- lin = tulovirta
- Uin = tulojännite
- Int. = jaksot
- AC = vaihtovirta
- Max = suurin
- min = minuuttia

Katso lisätietoja teknisistä tiedoista kohdasta 9 *Tekniset tiedot*, s. 67.

2.2.2 Muut merkinnät ja symbolit

	Lue huolellisesti käyttöopas ennen tämän tuotteen käyttöä ja noudata kaikkia turvallisuus- ja käyttöohjeita.
	Osoittaa Soft Tilt® -päämoduulin oikean sijoittamisen ja suunnan vuoteessa. Katso 3.3 <i>Soft Tiltin asennus (Päämoduulin asennus)</i> , s. 53.
	Osoittaa päädyn ja jalkavarsien oikean sijoittamisen päämoduuliin. Katso 3.3 <i>Soft Tiltin asennus (Varsien ja kannen asennus)</i> , s. 55.
	Osoittaa suojuksen oikean sijoittamisen Soft Tilt® -runkoon. Katso 3.3 <i>Soft Tiltin asennus (Varsien ja suojuksen asennus)</i> , s. 55.

3 Käyttöönotto

3.1 Yleisiä turvallisuustietoja

Kun otat tuotteen vastaan, tarkista pakkaus. Jos pakkauksessa on toimitettaessa merkkejä vaurioitumisesta, ota yhteyttä kuljetusyritykseen.



VAROITUS!

Henkilövamman tai omaisuusvahingon vaara

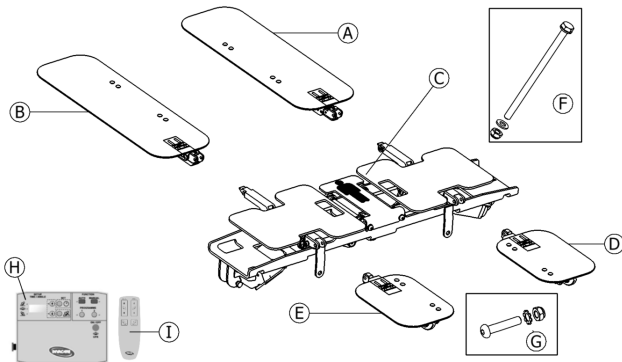
Kokoonpanon ja asennuksen saavat suorittaa ainoastaan valtuutetut tai koulutetut henkilöt.

- Tätä Soft Tilt -version erityisuunniteltua runkoa saa käyttää vain 90 cm leveiden Invacare® Nordbed Optimo og Ultra -vuoteiden kanssa.
- Noudata ohjeita huolellisesti. Jos sinulla on kysyttävää kokoonpanoon liittyen, ota yhteyttä paikalliseen Invacare-edustajaan.
- Jos tuotteessa on merkkejä vaurioista, tuotetta ei saa käyttää. Ota yhteyttä paikalliseen jälleenmyyjään tai Invacare-edustajaan.
- Tuotteen sähkölaitteita ei saa purkaa tai kytkeä yhteen muiden sähkölaitteiden kanssa.
- Tarkista aina kokoamisen jälkeen, että kaikki liitokset on kiristetty kunnolla ja että kaikki osat toimivat oikein.

3.2 Toimituksen laajuus

Soft Tilt toimitetaan osittain koottuna pahvilaatikossa.

Tärkeimmät osat



- Ⓐ Vasemman siivekkeen päätyään varsi
 - Ⓑ Oikean siivekkeen päätyään varsi
 - Ⓒ Päämoduuli (esiasennettu yksikkö)
 - Ⓓ Vasemman siivekkeen jalkopään varsi
 - Ⓔ Oikean siivekkeen jalkopään varsi
 - Ⓕ 2 settiä: Kuljetuspultti, aluslevy ja lukkomutteri
 - Ⓖ 4 settiä: Kuusiokoloruuvi, aluslevy ja lukkomutteri
 - Ⓗ Ohjainkotelo
 - Ⓘ Käsiohjain
- Tekstiilisuojaus (ei näy kuvassa)

3.3 Soft Tiltin asennus

Päämoduulin asennus



HUOMIO!

Vaurion tai vamman vaara

Jos päämoduulia pidellään kiinni vääristä kohdista nostamisen aikana, seurauksena voi olla tuotevaurio tai vamma.

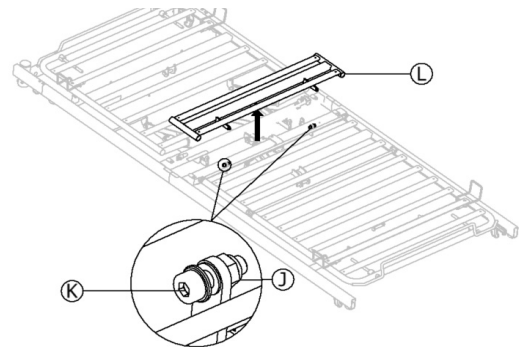
- Pidä kiinni päämoduulista vain siivekkeiden suojalevyistä tai alarungon kiinnikkeistä, joissa ovat nosta tästä -tarrat.
- Älä pidä kiinni keskimmäisestä suojalevystä.



VAROITUS!

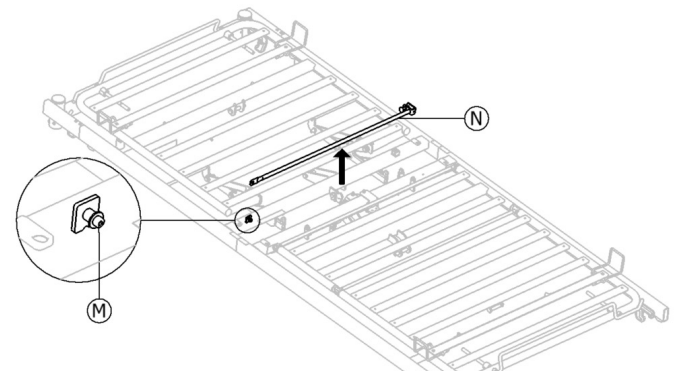
Varmista, että vuode on kytketty oikein keskelle ja on vaakasuorassa (180°).

1. a.



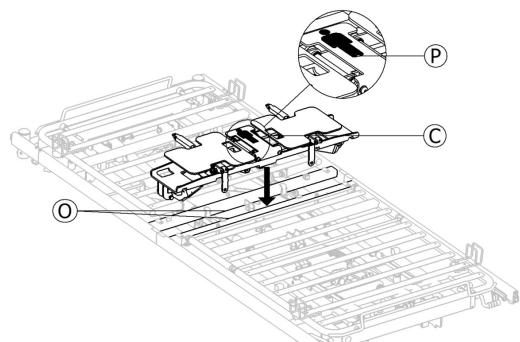
Irrota vuoteen molemmin puolin mutteri Ⓐ ja pultti Ⓑ 13 mm:n avaimella ja 6 mm:n kuusiokoloavaimella sälekokoonpanon Ⓒ irrottamiseksi sängystä, pidä kaikki osat saatavilla uudelleenkokoamista varten, kun Soft Tilt taas poistetaan vuoteesta.

- b.



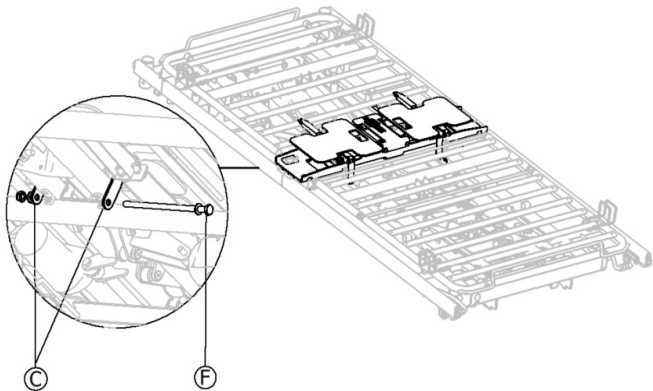
Irrota pultti Ⓜ ja mutteri Ⓝ 3 mm:n kuusiokoloavaimella ja 7 mm:n avaimella tangon Ⓝ irrottamiseksi vuoteesta, pidä kaikki osat saatavilla uudelleenkokoamista varten, kun Soft Tilt taas poistetaan vuoteesta.

- 2.



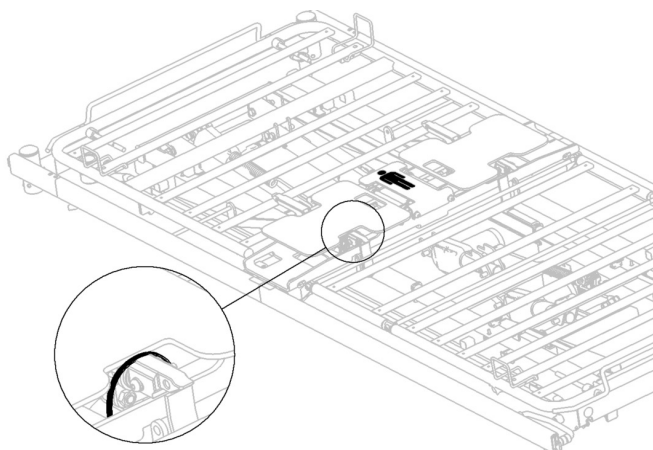
Laita päämoduuli ③ poikkipienoille ④ zoomatussa kuvassa ⑤ olevan symbolin mukaisesti. Pää osoittaa kohti vuoteen päätyä ja jalat kohti jalkaosaa.

3.



Kiinnitä päämoduuli patjan tukikehikon poikkipienoihin asettamalla kuljetuspultti ⑥, tarkoitukseen osoitetun kiinnikkeen läpi päämoduulissa ③, aluslevy ja mutteri, alapuolelta vuoteen molemmilla sivuilla.

4.



Ennen kuin käynnistät moottorin, vapauta siivекkeet katkaisemalla kaikki nippusiteet. Varmista, että uudet nippusiteet ovat samassa paikassa, kun päämoduuli poistetaan vuoteesta.

Johdottaminen

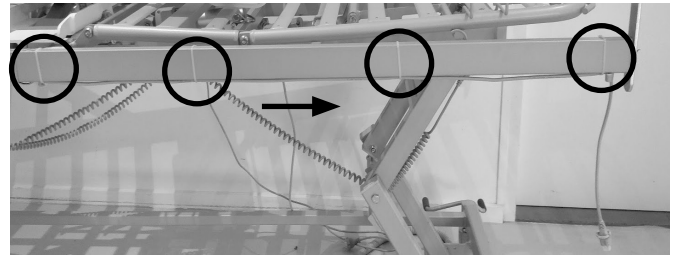
Ohjainkotelon ja käsiohjain on ripustettava jalkalevyyn.



Ohjainkotelon liitännät

- ① Virtalähde
- ② Käsiohjain ja puristussuojakytkimet jakokaapelin kautta
- ③ Oikea moottori
- ④ Vasen moottori

1.



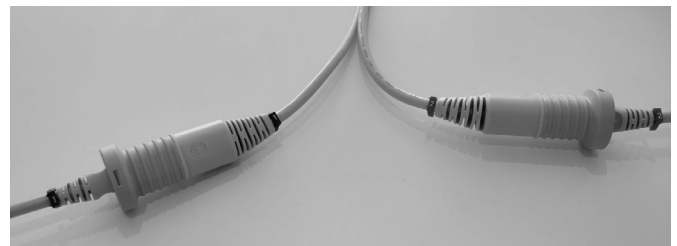
Vie moottorin kaapeli vuoteen rungon alta kohti jalkopäätä, vuoteen molemmilla sivuilla (merkitty kuvassa nuolella), ja kiinnitä molemmat kaapelit nippusiteillä runkoputkeen. Varmista, että molemmat moottorikaapelit on kiristetty nippusiteillä (merkitty kuvaan ympyröillä), ensimmäinen nippuside moottorin lähellä ja 3 muuta jalkopäätä kohti olevassa runkoputkessa. Varmista, että nippusiteiden päät eivät tule ulos vuoteen rungosta.

2.



Liitä käsiohjain kaapeliin ⑧ ja kytke virtajohto ⑨ virtalähteeseen. Käsiohjaimen kaapelissa on merkintä ③ kaapeliklipsissä, jonka vastaavuus on ③ ohjainkotelon kaapelissa.

3.



Kytke oikean ja vasemman moottorin kaapelit jatkojohtoihin ⑤ ja ⑥ ohjainkotelosta. Oikean moottorin kaapelissa on merkintä ① kaapeliklipsissä, jonka vastaavuus on ① ohjainkotelosta tulevassa kaapelissa, ja vasemman moottorin kaapelissa on merkintä ② kaapeliklipsissä, jonka vastaavuus on ② ohjainkotelon kaapelissa. Poista hätäpysäytys käytöstä, kytke järjestelmä päälle, aktivoi manuaalitila ja tarkista käsiohjaimella, että vasen ja oikea moottori on kytketty oikein ohjainkoteloon (ks. luvusta Käyttö yksityiskohtaiset ohjeet).

- Varmista, että kaikki kaapelit kulkevat vuoteen runkoputkien alta ja liikuta vuodetta koko matka ylös ja alas varmistaaksesi, etteivät kaapelit ole puristuksissa.

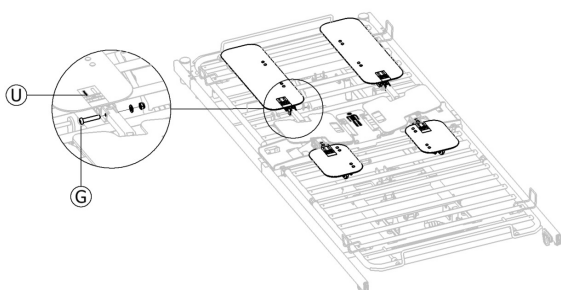
4.



Kerää moottorikaapelit kimppuun ja kiristä se nippusiteellä, liikuta vuodetta ylös ja alas varmistaaksesi, että nippu ei tartu mihinkään vuoteen osaan vaan liikkuu esteettä.

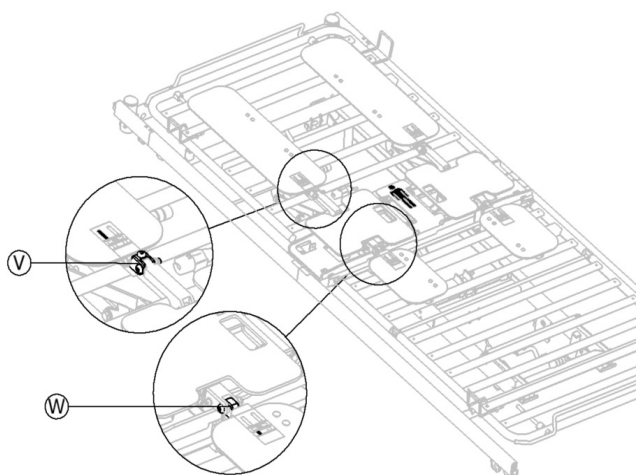
Varsien ja suojuksen asennus

1. Varmista, että päämoduulin kumpikin siiveke on hiukan nostettu, jotta varsien liitännät ovat käytettävissä.
- 2.



Yhdistä neljä vartta päämoduuliin zoomatussa kuvassa ① olevan varren tarran mukaisesti, tarran mustat varjostetut alueet osoittavat sijainnin, johon varsi on asetettava. Kiinnitä varret kuusiokoloruuveilla ②-setistä ja kiristä lukkomutterit sisäänpäin. Varmista, että turvaluslevyt on sijoitettu lukkomutterin puolelle.

3.

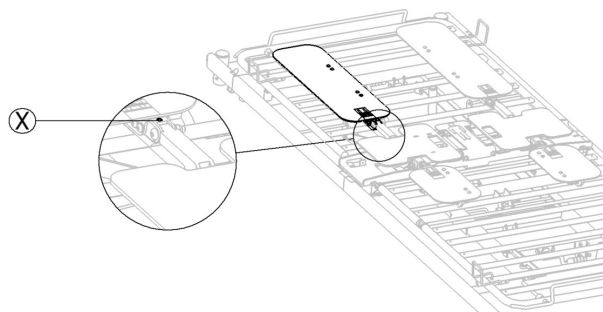


Varmista, että päävarret on kiinnitetty teleskooppikiinnikkeeseen ③ ensimmäisessä kiertetetyssä reiässä etkä voi nähdä muita kiertettyjä reikiä. Varmista, että jalkavarsille on kiinnitetty teleskooppikiinnike ④ ensimmäiseen kiertettyyn reikään etkä voi nähdä muita kiertettyjä reikiä.

4.

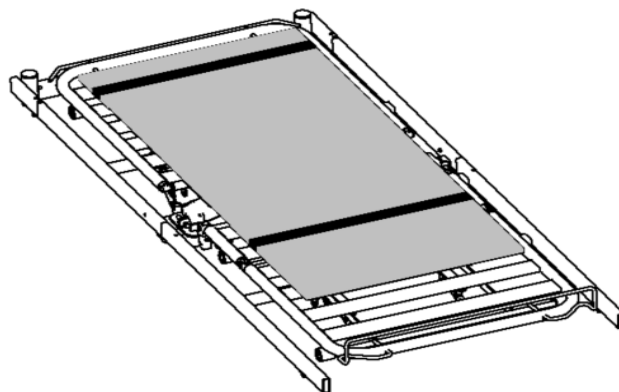
! TÄRKEÄÄ!

Ennen käyttöä säädä, potilaan paino huomioon ottaen, neljän varren sijainti siten, että tuki on nostettaessa optimaalinen. Varmista, että kaikki neljä vartta menevät edelleen vaakasuoraan toimintatilassa, jossa niiden kuuluu olla tasalla.



Varsien asentoa säädetään pultilla ⑤, kunnes ne ovat vaakasuorassa.

5.



Asenna suojuksen liu'uttamalla taskut pääty- ja jalkopään varsien päälle. Suojuksen pääty sisältää tarratiedot ja suojuksen symbolin sijainnin:



Suojuksen päätyä osoittava symboli.

! TÄRKEÄÄ!

Soft Tilt -runkoa ei saa käyttää ilman suojusta.

6. Aseta ja kiinnitä patja Soft Tilt -rungolle.
 - a. Vapauta molempien hihnojen Velcro-kiinnitin suojuksen sivusta ja taita ne sivuun.
 - b. Aseta patja vuoteelle Soft Tilt -rungon päälle (katso yhteensopivat patjat kohdasta 9 Tekniset tiedot, s. 67).
 - c. Vedä hihnat patjan yli ja sulje Velcro-kiinnitin, jotta patja kiinnittyy tukevasti Soft Tilt -runkoon.

4 Käyttö

4.1 Yleisiä turvallisuustietoja



VAROITUS!

Henkilövamman ja omaisuusvahingon vaara

- Vuode on sijoitettava niin, että korkeuden säätäminen ei häiriinny esimerkiksi hisseistä tai kalusteista.
- Huolehdi, että kehonosia ei jää puristuksiin kiinteiden osien (kuten sivukaiteiden, vuoteenpäätysten jne.) ja liikkuvien osien väliin.
- Lapset eivät saa käyttää käsiohjainta.
- Käsiohjainta saa käyttää vain hoitaja.

TÄRKEÄÄ



Jos tapahtuu virtakatkos, akku varmistaa Soft Tilt -runkon nollausmahdollisuuden CPR-toiminnon avulla.

- Varmista, että akku on ladattu täyteen ennen Soft Tilt -runkon käyttämistä.
- Katso lisätietoja Kunnossapito-osan Akku-kohdasta.

4.2 Yleiskatsaus

Soft Tilt -runkoa voi käyttää joko manuaalisessa tai automaattisessa tilassa.

Molemmissa tiloissa voi käyttää vuoteen normaalitoimintoja.



Suosittellemme pitämään pääosan hieman kohotettuna Soft Tilt -runkoa käytettäessä, sillä se tarjoaa loppukäyttäjälle mukavamman asennon.

Manuaalinen tila

Manuaalinen tila on suunniteltu tukemaan hoitohenkilöstöä loppukäyttäjän kääntämisessä kyljeltä toiselle vuoteessa.

Siivekkeitä voidaan nostaa ja laskea käsiohjaimella (ks. osa *Manuaalinen käyttö*).

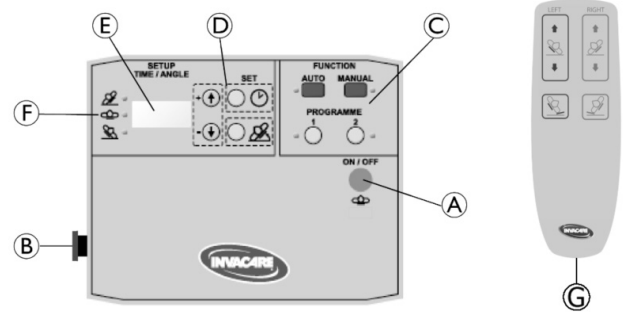
Automaattinen tila

Automaattinen tila on suunniteltu vähentämään loppukäyttäjien kohdistuvaa painetta.

AUTO-ohjelmassa siivekkeet siirtyvät automaattisesti ajalle ja kulmalle esimääritettyjen parametrien mukaisesti (ks. osa *Automaattisen ohjelman toimintajakso*).

Ohjelmassa 1 ja 2 siivekkeet siirtyvät automaattisesti ajalle ja kulmalle yksittäisesti määritettyjen parametrien mukaisesti (ks. luku *Ohjelmoiminen*).

4.3 Ohjainkotelo ja käsiohjain



- A On/Off ja nollaus toiminto -painike
- B Häätäjarrupainike
- C Toimintopainikkeet käyttötilan valintaan.
- D Asetuspainikkeet ohjelman 1 ja 2 parametrien asettamiseen
- E Näyttö
- F Suunnanilmaisimet
- G Käsiohjain

4.4 On/Off ja nollaus toiminto

Järjestelmän virran kytkeminen

1. Kytke järjestelmän virta pitämällä painiketta A painettuna 3 sekunnin ajan.

Nollaus toiminto

Nollaus toiminto ohittaa kaikki komennot ja siirtää molemmat siivekkeet vaakatasoon.

1. Ota nollaus toiminto käyttöön painamalla painiketta A (älä pidä painettuna).

Järjestelmän virran katkaiseminen

1. Nollaa järjestelmä painamalla painiketta A ja odota tarvittaessa, kunnes molemmat siivekkeet ovat siirtyneet vaakatasoon.
2. Kytke järjestelmän virta pitämällä painiketta A painettuna 3 sekunnin ajan.

Näyttö

Järjestelmän tila	Näyttö	Huomaa
POIS		Näyttö tyhjä
KÄYTÖSSÄ	ohjelmisto-versio (3-numeroinen luku)	Näkyvä 2 s järjestelmän virran kytkemisen jälkeen (vaihtaa passiiviseen tilaan, jos mitään toimintoa ei valita).
KÄYTÖSSÄ	---	Passiivinen tila (mitään toimintoa ei valittu)
Nollaus	POIS	Näkyvä, kun CPR-/nollaus-toiminto on aktivoitu. Järjestelmä vaihtaa sitten passiiviseen tilaan.

4.5 Hätäjarru

! TÄRKEÄÄ!

Kun hätäjarru on käytössä, nollaustoiminto voidaan edelleen tarvittaessa ottaa käyttöön painamalla painiketta ④, jolloin siivekkeet laskevat vaakatasoon.

Kun hätäjarru kytketään, se pysäyttää kaikki ohjaimet ja liikkeet välittömästi (siivekkeet pysyvät nykyisessä asennossaan).

1. Kytke painamalla painiketta ④.
2. Poista käytöstä kääntämällä painiketta ④ myötäpäivään.
3. Nollaa järjestelmä painamalla painiketta ④.

4.6 Manuaali käyttö



VAROITUS!

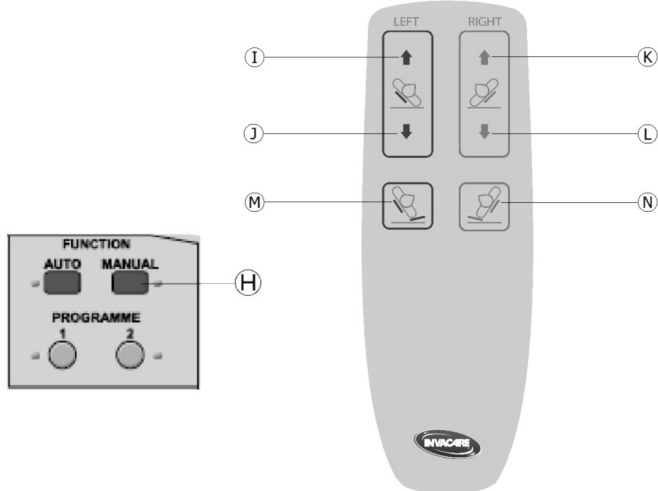
Puristumis- ja/tai vammautumisvaara

Jos molemmat siivekkeet nostetaan samanaikaisesti yli 12°:n kulmaan, potilas voi jäädä puristuksiin.

- Tätä vaihtoehtoa saa käyttää vain koulutettu henkilöstö.



Kun MANUAALINEN otetaan ensi kertaa käyttöön järjestelmän virran kytkemisen jälkeen, se nollautuu ennen kuin toimintoa voi käyttää.



1. Ota manuaalinen käyttö käyttöön pitämällä painiketta ④ painettuna 3 sekunnin ajan.
2. Paina käsiohjaimen painikkeita tarpeen mukaan.
 - Nosta vasen siiveke painamalla painiketta ①
 - Laske vasen siiveke painamalla painiketta ②
 - Nosta oikea siiveke painamalla painiketta ③
 - Laske oikea siiveke painamalla painiketta ④
 - Kun haluat nostaa oikeaa siivekettä arvosta 0° arvoon 80° ja vasenta siivekettä arvosta 0° arvoon 5°, paina ⑤
 - Kun haluat nostaa vasenta siivekettä arvosta 0° arvoon 80° ja oikeaa siivekettä arvosta 0° arvoon 5°, paina ⑥



- Kumpaakin siivekettä voi siirtää samanaikaisesti painamalla vasempia ja oikeita painikkeita samaan aikaan.
- Siivekkeitä voi siirtää 0°–80°.

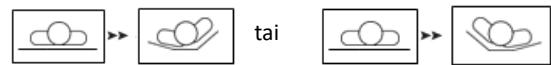
3. Poista manuaalinen käyttö käytöstä painamalla ON/OFF-painiketta ④.

Tilan merkkivalot

Näyttö	Merkkivalo	Huomaa
0 = ei aktiivisuutta U01 = oikea siiveke liikkuu ylös U01 = oikea siiveke liikkuu alas U01 = vasen siiveke liikkuu ylös U01 = vasen siiveke liikkuu alas	MANUAALINEN-merkkivalo aktiivinen	Numerot näyttössä kertovat kulman, johon siipi on sijoitettu, kirjaimet liikesuunnan: – U = liike ylös. – U = liike alas. – 01 = 1°

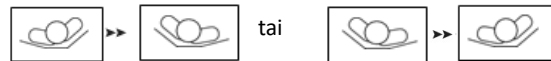
4.6.1 Suositellut toimenpiteet

Siirto selinmakuulta kyljelle:



Paina joko ⑤ tai ⑥ riippuen siitä, kummalle puolelle potilas on nostettava.

Siirto kyljeltä toiselle:



1. Jos vasenta puolta nostetaan – paina ja pidä ⑤ vasemmalta puolelta oikealle puolelle siirtämistä varten. Vapauta painike, kun haluttu korkeus pysyy.
2. Jos oikeaa puolta nostetaan – paina ja pidä ⑥ oikealta puolelta vasemmalle puolelle siirtämistä varten. Vapauta painike, kun haluttu korkeus pysyy.

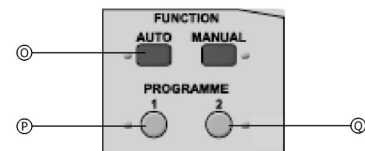
4.7 Automaattinen käyttö

AUTO-ohjelma on esimääritetty, eikä sitä voi muuttaa.

Hoitohenkilöstö voi määrittää ohjelman 1 ja 2 yksilöllisesti (ks. luku *Ohjelmoiminen*). Toimitushetkellä ohjelmat ovat tyhjiä ja ne on määritettävä ennen käyttöä.



- Jos jokin ohjelmista otetaan käyttöön, järjestelmä nollautuu TASALLA-asentoon ennen valitun ohjelman käynnistämistä.
- Jos valitaan uusi ohjelma, kun toinen ohjelma on käytössä, järjestelmä nollautuu TASALLA-asentoon ennen uuden ohjelman käynnistämistä.



1. Paina ohjelmapainikkeita tarpeen mukaan.
 - Aloita AUTO-ohjelma pitämällä ⑦-painiketta painettuna 3 sekuntia.
 - Aloita Ohjelma 1 pitämällä ⑧-painiketta painettuna 3 sekuntia.
 - Aloita Ohjelma 2 pitämällä ⑨-painiketta painettuna 3 sekuntia.
2. Pysäytä käytössä oleva ohjelma painamalla ON/OFF-painiketta ④.

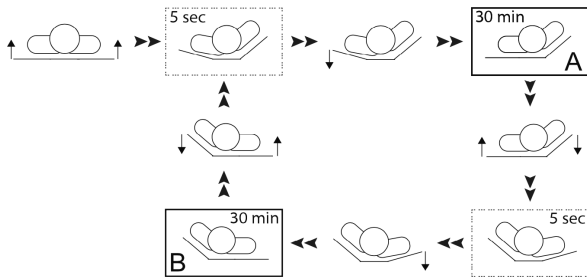


Käsiohjain ei toimi, kun ohjelma on käytössä.

Tilan merkkivalot

Käytössä oleva ohjelma	Näyttö	Merkkivalo	Huomaa
AUTO	AU	AUTO merkkivalo palaa	
Ohjelma 1	P1	P1-merkkivalo palaa	
Ohjelma 2	P2	P2-merkkivalo palaa	
Ajastin	P1/XX ja P2/XX		Näyttö vaihtuu valitun ohjelman ja seuraavan uudelleenasetteluajan välillä. – P1/01 = ohjelma 1 ja 01 minuuttia ennen seuraavaa uudelleenasettelua. – P2/05 = ohjelma 2 ja 05 minuuttia ennen seuraavaa uudelleenasettelua.

4.7.1 Automaattisen ohjelman toimintajakso



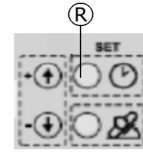
- Tasalla-asennosta alkaen molemmat siivekkeet alkavat nousta samanaikaisesti.
- Vasen siiveke pysähtyy 12°:seen ja oikea 40°:seen.
- 5 sekuntia sen jälkeen, kun oikea siiveke on saavuttanut 40°:n kulman, vasen siiveke laskeutuu 0°:seen.
- Tämä asento A säilyy 30 minuuttia.
- Vasen siiveke alkaa nousta ja oikea laskea samanaikaisesti.
- Oikea siiveke pysähtyy 12°:seen ja vasen jatkaa nousua 40°:seen.
- 5 sekuntia sen jälkeen, kun vasen siiveke on saavuttanut 40°:n kulman, oikea siiveke laskeutuu 0°:seen.
- Tämä asento B säilyy 30 minuuttia.

Jakso jatkaa vaihtelemista asentojen A ja B välillä, kunnes ohjelma pysäytetään.

4.7.2 Keskeytä automaattinen käyttö



On mahdollista keskeyttää automaattinen käyttö ja käyttää käsiohjainta kuten manuaalitulassa.



1. Paina ja pidä 3 sekuntia **R** -painiketta, automaattisen ohjelman ollessa käynnissä siivekkeet siirtyvät tasalla-asentoon. Nyt voidaan käyttää manuaalitulaa.
2. Aktivoitu ohjelma ennen tauon aloittamista jatkuu 30 minuutin passiivisuusjakson jälkeen, 10 sekuntia ennen ohjelman alkamista kuuluu äänimerkki. Jos passiivisuusjaksoa pitää pidentää, paina äänimerkin jälkeen mitä tahansa käsiohjaimen painiketta.
3. Jos automaattisen ohjelman pitää käynnistyä uudelleen heti, pidä ja paina **R**-painiketta aktivoimiseksi 3 sekuntia.

4.8. Akun lataaminen

Akku latautuu, kun järjestelmä on kytketty virtalähteeseen ja sen virta on kytketty.

Akun latautumisen merkinä on näytön oikeassa alakulmassa oleva piste.

Akku latautuu täyteen 12 tunnissa.



Akku EI lataudu, jos tapahtuu virhe E03 tai E04.

4.9 Siivekkeen hätävapautus

Sähkö- tai moottorihäiriöissä siivekkeen hätävapautus voi olla tarpeen.



HUOMATTAVAA!

Loukkaantumisvaara

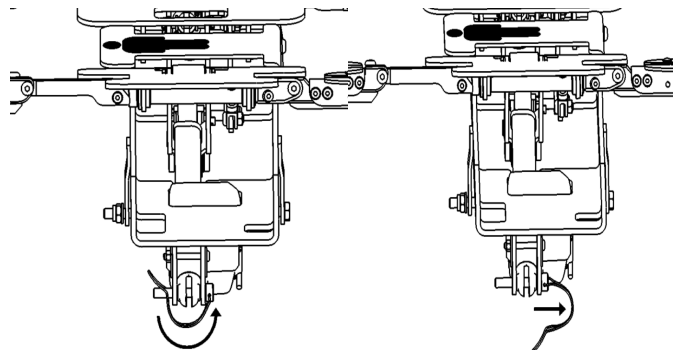
- Siivekkeen hätävapautustoimenpiteeseen tarvitaan vähintään kaksi henkilöä.
- Vapautettu siiveke saattaa pudota nopeasti. Pidä siivekkeen ja varsien alapuolinen tila tyhjänä.



TÄRKEÄÄ!

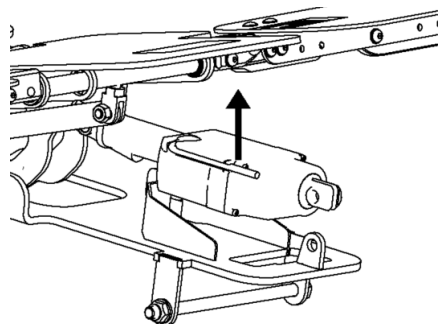
- Ennen siivekkeen hätävapautusta on irrotettava pistoke pistorasiasta.

1. Molemmat henkilöt pitelevät kohotettua siivekettä.
2. Toinen paikallistaa kyseessä olevan moottorin tapin ja vetää turvatangon pois.



3. Kun tappi on irrotettu, moottori liukuu ulos tuesta ja laskee siivekkeen hitaasti.

3. Kun tappi on irrotettu, moottori liikuu ulos tuesta ja laskee siivekkeen hitaasti.



5 Ohjelmoiminen

5.1 Yksittäin määritetyt ohjelmat

Hoitohenkilöstö voi määrittää ohjelmat 1 ja 2 yksittäin määrittämällä siivekkeiden kulmat ja eri asentojen pitoajat.

Kulmien määrittäminen

Vasemman ja oikean siivekkeen kulmat ensimmäisen kyljen asennossa voidaan määrittää yksitellen. Toisen (vastakkaisen) kyljen asento määritetään automaattisesti peilikuvana ensimmäisen kyljen asennosta.

- Jos yhden siivekkeen kulmaksi määritetään 13°–40°, tämä siiveke määritetään ”ensisijaiseksi siivekkeeksi”.
- Jos yhden siivekkeen kulmaksi määritetään 0°–12°, tämä siiveke määritetään ”toissijaiseksi siivekkeeksi”.
- ”Ensisijainen siiveke” määrittää ohjelman toimintajakson ensimmäisen kyljen asennon.

Kaksi vaihtoehtoa siivekkeelle, jonka puolella loppukäyttäjä makaa (esim. vasen siiveke, jos loppukäyttäjä makaa vasemmalla kyljellä):

- Jos toissijaisen siivekkeen kulmaksi määritetään 0°, se nousee 12°:lla kääntymisliikkeen aikana ja siirtyy vaakatasoon 5 sekuntia sen jälkeen, kun ensisijainen siiveke on saavuttanut määritetyn kulmansa, joten loppukäyttäjä lepää tasalla olevan toissijaisen siivekkeen varassa.
- Jos toissijaisen siivekkeen kulma-arvoksi määritetään 1°–12°, se pysyy kohotettuna valittuun kulmaan kylkiasennossa, ja loppukäyttäjä lepää kohotetun toissijaisen siivekkeen varassa.



HUOMIO!

Kaatumisvaara

Jos toissijainen siiveke pysyy koholla loppukäyttäjän maataessa kyljellään, etäisyys sivukaiteen yläosaan on pienempi.

- Käytä vain tähän tilanteeseen kohdassa 9 *Tekniset tiedot, sivu 67*, lueteltuja sivukaiteita.

Ajan määrittäminen:

Kahden kylkiasennon ja tasalla-asennon aika voidaan määrittää yksitellen välille 000 ja 180 minuuttia.



Tasalla-asennossa on mahdollista valita, alkaako vasen tai oikea kylki heti.

Jos kylkiasennon ajaksi määritetään 000 minuuttia:

- ohjelma alkaa siirron tasalla-asennosta ensimmäiseen asentoon määritetyn ajan kuluttua
- ohjelma siirtyy vain tasalla-asennon ja toisen kyljen asennon välillä (esim. tasalla–oikea–tasalla–oikea...)

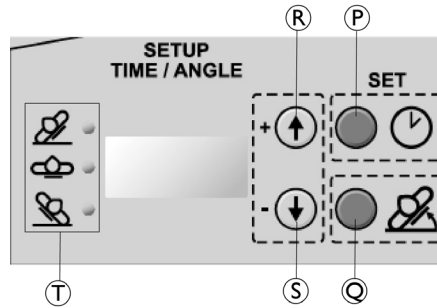
Jos yhden tasalla-asennon ajaksi määritetään 000 minuuttia:

- ohjelma alkaa heti, kun siirto ensimmäiseen kylkiasentoon on käytössä
- ohjelma siirtyy vain kahden kylkiasennon välillä (esim. vasen–oikea–vasen–oikea...)

Jos tasalla-asennon ajaksi määritetään 3–180 minuuttia:

- ohjelma alkaa siirron tasalla-asennosta ensimmäiseen asentoon määritetyn ajan kuluttua
- ohjelma siirtyy aina tasalla- asentoon kahden kylkiasennon välillä (esim. tasalla–oikea–tasalla–vasen–tasalla–oikea...)






















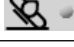

5.2 Yksittäisten automaattiohjelmien ohjelmoiminen



- P Aseta aika / Käynnistä ohjelmointitila -painike
- Q Aseta kulma -painike
- R Plus-säätöpainike (suurentaa ajan ja kulman arvoja)
- S Plus-säätöpainike (suurentaa ajan ja kulman arvoja)
- T Suunnanilmaisimet (merkkivalot)
 - Oikea (ylin) = oikea siiveke tai suunta
 - tasainen (keskimmäinen) = kumpikin siiveke vaakatasossa
 - Vasen (alin) = vasen siiveke tai suunta

Soft Tiltiä ohjelmoitaessa asetetaan ensin aikajakso, jonka ajaksi siivet ovat koholla- tai tasalla-asennossa, toiseksi ne kulmat, joita kohotetaan, ja kolmanneksi siivekkeiden aloitussivu (oikea, vasen tai tasalla). Tämä tehdään joko ohjelmalle 1 tai ohjelmalle 2.

Vaihe	Toiminto	Näyttö	Näyttö	Merkkivalo	Huomaa
1	Pidä painettuna 3 sekuntia.		SEL	ei mitään	Käynnistä ohjelmointitila
2	Paina		P1	P1	Valitse asetettava ohjelma
	tai		P2	P2	
3	Paina		010	P1 tai P2 ja Oikea	Aika-arvo näkyy näyttöruudulla
4	Paina	 	001 020	P1 tai P2 ja Oikea	Sääda aikaa välillä 000 ja 180 minuuttia (0, 3, 10–180, väleinä +/-10 min)
5	Paina		010	P1 tai P2 ja Tasalla	Aika-arvo näkyy näyttöruudulla
6	Paina	 	001 020	P1 tai P2 ja Tasalla	Sääda aikaa välillä 000 ja 180 minuuttia (0, 3, 10–180, väleinä +/-10 min)

Vaihe	Toiminto	Näyttö	Merkkivalo	Huomaa
7	Paina 	010	P1 tai P2 ja Vasen 	Aika-arvo näkyy näyttöruudulla
8	Paina  	001 020	P1 tai P2 ja Vasen 	Säädä aikaa välillä 000 ja 180 minuuttia (0, 3, 10–180, väleinä +/-10 min)
9	Paina 	A	Ei mitään	yksittäinen merkkiäni = aika on nyt asetettu.
10	Paina 	015	P1 tai P2 ja Oikea 	Kulma-arvo näkyy näyttöruudulla
11	Paina  	014 016	P1 tai P2 ja Oikea 	Säädä kulmaa välillä 00 ja 30 astetta (+/-1 asteen välein)
12	Paina 	010	P1 tai P2 ja Vasen 	Kulma-arvo näkyy näyttöruudulla
13	Paina  	009 011	P1 tai P2 ja Vasen 	Säädä kulmaa välillä 00 ja 30 astetta (+/-1 asteen välein)
14	Paina 	—	Ei mitään	kaksiosainen äänimerkki = kulma on nyt asetettu
15	Paina  	SEL	Oikea  Tasalla  Vasen 	Säädä, minkä asennon Soft Tilt aloittaa, OIKEA, TASALLA vai VASEN
16	Paina 	-	Ei mitään	kolme *ÄÄNIMERKKIÄ* = Aloitussivu on valittu ja koko ohjelma on tallennettu.



- Ohjelmointitila sulkeutuu automaattisesti ilman tallennusta, jos mitään painiketta ei paineta 2 minuuttiin.

5.3 Ohjelmaesimerkit automaattista paineenvapautusta varten

- Loppukäyttäjät kääntyy oikealta kyljeltä selälleen ja vasemmalle kyljelle ja makaa aina tasalla olevan siivekkeen puolella.
 - Ensisijaisen siivekkeen kulma = 13°–40°
 - Toissijaisen siivekkeen kulma = 0°
 - Oikea-, tasalla- ja vasen-asennon aika > 0 min
- Loppukäyttäjät kääntyy oikealta kyljeltä selälleen ja vasemmalle kyljelle ja makaa aina hieman kohollaan olevan siivekkeen puolella.
 - Ensisijaisen siivekkeen kulma = 13°–40°
 - Toissijaisen siivekkeen kulma = 1°–12°
 - Oikea-, tasalla- ja vasen-asennon aika > 0 min

Tämä ohjelma edellyttää ”korkeita” sivukaiteita.

- Loppukäyttäjät kääntyy oikealta kyljeltä vasemmalle siten, ettei makaa koskaan selällään ja makaa aina hieman kohollaan olevan siivekkeen puolella (keinutoiminto).
 - Ensisijaisen siivekkeen kulma = 13°–40°
 - Toissijaisen siivekkeen kulma = 0°
 - Oikea-, tasalla- ja vasen-asennon aika = 0 min
 - Vasen- tai oikea-asennon aika > 0 min
 - ks. esimerkiksi osa *Automaattisen ohjelman* toimintajakso.
- Loppukäyttäjät kääntyy oikealta kyljeltä vasemmalle siten, ettei makaa koskaan selällään ja makaa aina hieman kohollaan olevan siivekkeen puolella (keinutoiminto).
 - Ensisijaisen siivekkeen kulma = 13°–40°
 - Toissijaisen siivekkeen kulma = 1°–12°
 - Oikea-, tasalla- ja vasen-asennon aika = 0 min
 - Vasen- tai oikea-asennon aika > 0 min

Tämä ohjelma edellyttää ”korkeita” sivukaiteita.

- Loppukäyttäjät kääntyy kyljeltä selälleen ja takaisin samalle kyljelle ja makaa aina tasalla olevan siivekkeen puolella.
 - Ensisijaisen siivekkeen kulma = 13°–30°
 - Toissijaisen siivekkeen kulma = 0°
 - Tasalla-asennon aika > 0 min
 - Vasen- tai oikea-asennon aika = 0 min

- Loppukäyttäjät kääntyy kyljeltä selälleen ja takaisin samalle kyljelle ja makaa aina hieman kohollaan olevan siivekkeen puolella.
 - Ensisijaisen siivekkeen kulma = 13°–40°
 - Toissijaisen siivekkeen kulma = 1°–12°
 - Tasalla-asennon aika > 0 min
 - Vasen- tai oikea-asennon aika = 0 min

Tämä ohjelma edellyttää ”korkeita” sivukaiteita.

- Molemmat siivekkeet nostettu samaan kulmaan ilman asennon vaihtoa (halaus takaa).
 - Toissijaisen siivekkeen kulma = 10°–12°
 - Oikea-, tasalla- ja vasen-asennon aika = 0 min
 - Vasen- ja oikea-asennon aika > 0 min (asetetuilla arvoilla ei väliä, ks. alla)



Automaattista asennon vaihtoa ei tehdä, kun molempien siivekkeiden kulma on sama eli vasemman tai oikean kyljen asennolle määritetyillä ajoilla ei ole vaikutusta.

6 Huolto

6.1 Yleisiä huoltotietoja



TÄRKEÄÄ!

Soft Tilt -rungon huolto- ja ylläpitotyöt on suoritettava vuoteen huollon ja ylläpidon yhteydessä.

- Yksityiskohtaiset tiedot ylläpitotoimista ja tarkistusluettelot, ks. käytettävän vuoteen *Käyttöopas ja/tai huolto-opas*.

6.2 Puhdistaminen ja desinfiointi



HUOMATTAVAA!

Saastumisvaara

- Huolehdi varoimista ja käytä asiaankuuluvia suojavarusteita.



TÄRKEÄÄ!

Väärät nesteet tai menetelmät voivat vahingoittaa tai vaurioittaa tuotetta.

- Kaikkien käytettävien puhdistus- ja desinfiointiaineiden on oltava tehokkaita, keskenään yhteensopivia ja suojattava puhdistettavia materiaaleja.
- Syövyttäviä nesteitä (emäkset, happo, selluloosaohenne, asetonit jne.) ei koskaan saa käyttää. Suosittelemme tavallista kotitaloudessa käytettävää pesuainetta, kuten astianpesuainetta, ellei puhdistusohjeissa toisin ilmoiteta.
- Älä koskaan käytä liuotinta, joka muuttaa muovin rakennetta tai liuottaa kiinnitetyt etiketit.
- Varmista aina ennen tuotteen uudelleenkäyttöä, että se on täysin kuivunut.

Sähköosat:



TÄRKEÄÄ!

IP-luokitus määrittää sähkökomponenttien pestävyyden.

Luokitukseltaan IPx6 olevia sähkölaitteita EI saa pestä vesisuihkuun perustuvilla laitteilla tai pesutunnelissa.

Luokitukseltaan IP66 olevat sähkölaitteet voidaan pestä suihkupohjaisella puhdistusvälineellä, mutta EI pesutunnelissa.

- IP-luokitus on ilmoitettu sähkökomponenttien sarjakilvessä.
- Huomaathan myös, että komponenteilla voi olla eri luokitukset.
- Alin IP-luokitus määrää yhdistelmän kokonaisluokituksen.

Tekstiilit

Katso tarkat pesuohjeet tekstiilisuojuksen lappusesta.

Varmista ennen suojuksen laittamista pesukoneeseen, että suojuksen jalkopään vaahdotuki on otettu pois.

Yleinen puhdistusmenetelmä

Menetelmä: Pyyhi märällä liinalla tai pehmeällä harjalla.

Enimmäislämpötila: 40 °C

Liuotin/kemikaalit: Mieto kotitaloudessa käytettävä puhdistusaine tai saippuavesi.



TÄRKEÄÄ!

Yksityiskohtaiset tiedot puhdistusmenetelmistä löytyvät käytettävän vuoteen käyttöoppaan ohjeista.

Puhdistusvälit



TÄRKEÄÄ!


Säännöllinen puhdistus ja desinfiointi lisää jouhevaa toimintaa, pidentää käyttöikää ja estää likaantumisen.

Puhdista ja desinfioi tuote

- ennen huoltotoimenpidettä ja sen jälkeen,
- kun se on ollut kosketuksissa kehon nesteiden kanssa,
- ennen uutta käyttökertaa.

6.3 Akku

Suosittellemme tarkistamaan akun 6 kuukauden välein:

1. Nosta molemmat siivekkeet ja irrota virtajohto.
2. Paina ON/OFF-painiketta  ja varmista, että molemmat siivekkeet siirtyvät vaakatasoon.

Suosittellemme vaihtamaan akun 4 vuoden välein – pyydä jälleenmyyjää/teknikkaa vaihtamaan akku.

Säilytys



TÄRKEÄÄ!

Ennen Soft Tilt -rungon varastoimista varmista, että järjestelmän virta on katkennut täysin ja hätäjarrupainiketta on painettu, jotta akku ei pääse tyhjenemään.

7 Käytön jälkeen

7.1 Hävittäminen



VAROITUS!

Ympäristöriski

Laite sisältää akkuja.

Tämä tuote voi sisältää aineita, jotka saattavat olla ympäristölle haitallisia, jos tuote hävitetään paikassa (kaatopaikka), joka ei ole lainsäädännön mukainen.

- ÄLÄ hävitä akkuja tavallisena kotitalousjätteenä.
- Akut PITÄÄ viedä asianmukaiseen jätteenhävittämislaitokseen. Palautus on lainsäädännön edellyttämä ja maksuton.
- Hävitä vain tyhjät akut.
- Lisätietoa akkutyypistä löydät akun etiketistä ja myös luvusta 9 *Tekniset tiedot*, s. 67.

Toimi ympäristöystävällisesti ja kierrätä tämä tuote kierrätyslaitoksen läpi käyttöiän umpeuduttua.

Pura tuote ja sen komponentit, jotta eri materiaalit voidaan erottaa ja kierrättää erikseen.

Käytettyjen tuotteiden ja pakkausten hävittämisen ja kierrätyksen on oltava kussakin maassa noudatettavien jätteidenkäsitteilylakien ja määräysten mukaista. Pyydä lisätietoja paikalliselta jätehuoltoyritykseltä.

Käytämme vain REACH-yhteensopivia materiaaleja ja komponentteja.

- Kaikki sähköosat on purettava ja hävitettävä sähkökomponentteina.
- Muoviosat on lähetettävä poltettavaksi tai kierrätettäväksi.
- Teräsosat on hävitettävä metallijätteenä.

7.2 Kunnostus

Tämä tuote soveltuu uudelleenkäyttöön. Suorita seuraavat toimenpiteet tuotteen kunnostamiseksi uutta käyttäjää varten:

- Tarkastus, puhdistus ja desinfiointi luvun 6 *Huolto*, s. 62, mukaisesti.

8 Vianmääritys

8.1 Sähköjärjestelmän vianmääritys

Virhe	Näyttö		Äänimerkki	Merkkivalo	Huomautus	Ratkaisu
	(vilkkuu 0,5 s välein kahden koodin välissä)			(vilkkuu keltaisena)		
VASEN moottori pysähtynyt Ylikuormitus VASEMMAS-SA moottorissa	E01	E0	10 piippausta, 1 s KÄYTÖSSÄ ja 1 s POISSA Kun moottoria yritetään käynnistää uudelleen: 1 piippaus 1 sekunnin ajan	Vasen	vain automaattisessa tilassa (ei näyttöä, äänimerkkiä ja vilkkuvaa merkkivaloa manuaalisessa tilassa)	<ul style="list-style-type: none"> - Tarkista moottoriin vievistä ja sieltä tulevista kaapeleista seuraavat asiat: - Kaapeli vahingoittumaton. - Kaapeli oikein kytketty moottoriin. - Kaapelin liitin oikein asennettu ja ehjä.
OIKEA moottori pysähtynyt Ylikuormitus OIKEASSA moottorissa	E02	E0		Oikea		
Akkutila: virtakatkos TAI hätäjarru kytketty	E03	E0	4 piippausta, 1 s KÄYTÖSSÄ ja 1 s POISSA		<ul style="list-style-type: none"> - 1. äänimerkki, kun irrotettu virtalähteestä TAI hätäjarru on kytketty. - Järjestelmä vaihtaa akkutilaan, ja siivekkeet pysähtyvät nykyiseen asentoonsa. - 2. äänimerkki 20 min kuluttua. - 3. äänimerkki 40 min kuluttua. - 60 min kuluttua järjestelmä vaihtaa akku vähissä -virheeseen (E04). 	Kytke virtalähteeseen JA/TAI vapauta hätäjarru ja lataa ja tarkista akku (ks. lisätietoja luvusta <i>Kunnossapito</i>).
Akun varaustila on alhainen	E04	E0	4 piippausta, 1 s KÄYTÖSSÄ ja 1 s POISSA		<ul style="list-style-type: none"> - 1. äänimerkki, kun akkuvirran havaitaan olevan vähissä akkutilassa. - Lisä-äänimerkkejä 20 min välein, kunnes järjestelmän virta katkeaa akkuvirran säästämiseksi yhtä elvytystilanteessa tehtävää laskua varten. 	
Järjestelmän virtaa ei voi kytkeä					Vaikka järjestelmä on kytketty virtalähteeseen, sen virtaa ei voi kytkeä.	Tarkista, onko hätäjarru kytketty ja vapauta tarvittaessa.



Nollaa VIRHE painamalla ON/OFF-painiketta ja yritä uudelleen.

Ota yhteyttä jälleenmyyjään tai Invacare-edustajaan, jos edellä mainittu ei ratkaise ongelmaa.

8.2 Ohjelmointivirheet

Ohjelman 1 tai 2 arvojen väärin asetusten virhenäyttö


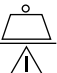
Virhe	Näyttö	Äänimerkki	Huomautus
Ohjelma 1 tai 2	E40 4 sekunnin ajan	2 piippausta: 5 s KÄYTÖSSÄ ja 1 s POISSA	Ilmenee, kun ohjelmaa 1 tai 2 otetaan käyttöön virheellisin aika-arvoin. Vasen-, oikea- ja tasalla-asentojen aika-arvojen seuraava yhdistelmä katsotaan virheelliseksi: - Kaikki kolme aika-arvoa = 0 min - Vain yksi aika-arvo > 0 min / kaksi aika-arvoa = 0 min

9 Tekniset tiedot

9.1 Ominaisuudet

Automaattinen käyttö	Kyllä
Enimmäiskulma manuaalisessa tilassa	80°
Enimmäiskulma automaattisessa tilassa	Ensisijainen siiveke = 40° Toissijainen siiveke = 12°
Kulma-arvot automaattisessa tilassa	0°–30° (+/–1°:n välein)
Kulma-arvot automaattisessa tilassa	0, 3, 10–180 min (+/–10 min välein)

9.2 Painot

	Käyttäjän enimmäispaino (edellyttäen, että patjan paino ei ole yli 20 kg)	165 kg
	Suurin turvallinen työskentelykuorma (mukaan lukien patja)	185 kg

Soft Tilt -osien painot

Yhteensä (päämoduuli ja 4 vartta)	31 kg
Päätypään varsi (1 kappale)	3,8 kg
Päätypään varsi (1 kappale)	2,6 kg
Päämoduuli	18,2 kg
Ohjainkotelot	2,5 kg

9.3 Sallitut patjan koot

Patjan korkeus ja sivukaiteen yhteensopivuus

! TÄRKEÄÄ

Sen mukaan, makaako loppukäyttäjät kyljellään tasalla olevan siivekkeen puolella (patja vaakatasossa) VAI enintään 12°:seen nostetun siivekkeen puolella, on käytettävä eri patja- ja sivukaideyhdistelmiä (ks. vastaava kaavio alta).

- Loppukäyttäjät makaavat tasalla olevan siivekkeen puolella

Sallitut patjan koot, kun loppukäyttäjät makaavat tasalla olevan kohollaan olevan siivekkeen puolella (toissijainen siiveke = 0°).

Sivukaide	Patjan korkeus
Ane/ Ane (83/85)	10–14 cm
Ane High / Ane High (83/85)	14–24 cm
Freya/Embla	10–13 cm
Freya / Embla, jossa Height Extender asennettuna*– kasvattaa korkeutta 6 cm:llä	11–19 cm
Freya / Embla, jossa Height Extender asennettuna*– kasvattaa korkeutta 10 cm:llä	15–23 cm

*On irrotettava, kun sivukaide on laskettu ja loppukäyttäjät on poistumassa vuoteesta.

- Loppukäyttäjät makaavat kohollaan olevan siivekkeen puolella

Sallitut patjan koot, kun loppukäyttäjät makaavat enintään 12° kohollaan olevan siivekkeen puolella (toissijainen siiveke = 1–12°).

Sivukaide	Patjan korkeus
Ane High / Ane High (83/85)	14–18 cm
Freya / Embla, jossa Height Extender asennettuna*– kasvattaa korkeutta 6 cm:llä	11–13 cm
Freya / Embla, jossa Height Extender asennettuna*– kasvattaa korkeutta 10 cm:llä	15–17 cm

*On irrotettava, kun sivukaide on laskettu ja loppukäyttäjät on poistumassa vuoteesta.

Patjan leveys ja pituus riippuvat vuoteen leveydestä ja sivukiskosta

Sivukaide	Sallittu patja leveys	Vähimmäispituus	Vuoteen leveys
Ane (83/85) / Ane High (83/85)	83–85 cm	200 cm	90 cm
Ane / Ane High / Freya / Embla / Freya / Embla, jossa on Height Extender*– kasvattaa korkeutta 6 cm:llä Freya / Embla, jossa on Height Extender*– kasvattaa korkeutta 10 cm:llä	88–90 cm		



Suosittelu patja on uritettu.





9.4 Ympäristöolosuhteet

	Säilytys ja kuljetus	Käyttö
Lämpötila	-10 °C ... +50 °C	-5 °C ... +40 °C
Suhteellinen kosteus	20 % – 75 %	
Ilmanpaine	800–1060 hPa	



Muista, että kun vuodetta on säilytetty alhaisissa lämpötiloissa, on odotettava, että sen lämpötila tasaantuu.

9.5 Sähköjärjestelmä

Syöttöjännite: Tulojännite (Uin) 230 AC, 50/60 hertsiä (AC = vaihtovirta)
Suurin ottovirta: Tulovirta (Iin) enintään 1,5 ampeeria
Jaksottainen (moottorin jaksottainen käyttö): Int = enint. 10 %, 2 min KÄYTÖSSÄ / 18 min POISSA
Eristysluokka: LUOKKA II 
Typin B sovellettu osa  Sovellettu osa vastaa standardin IEC60601-1 sisältämiä sähköis- kuilta suojautumista koskevia erityisvaatimuksia. (Sovellettu osa on lääkintälaitteen osa, joka on suunniteltu jou- tumaan fyysiseen kosketukseen potilaan kanssa, tai osia, jotka todennäköisesti joutuvat kosketukseen potilaan kanssa.)
Akun tyyppi: LP 12-0,8 (12 V 0,8 Ah) Suljettu lyijyhappoakku  
Vakiojännitevaraus: <ul style="list-style-type: none">• Valmiustilakäyttö: 13,5–13,8 V• Jaksokäyttö: 14,4–15,0 V• Alkuvirta: Enint. 0,24 A
Melutaso: 58,5 dB (A)
Suojauksen taso: IPx6* tai IP66** Päämoduulin, toimilaitteiden ja käsiohjaimen suojauksen taso on IPx6. Ohjainkotelon suojauksen taso on IP66.

* IPX6-luokittelu tarkoittaa, että sähköjärjestelmä on suojattu mistä tahansa suunnasta tulevalta vedeltä (ei korkeapaineiselta).

** IP66-luokitus tarkoittaa, että sähköjärjestelmä on suojattu mistä tahansa suunnasta tulevien korkeapainevesisuihkujen varalta ja täysin suojattu pölyltä ja muilta hiukkasilta, mukaan lukien tyhjiötiiviste.

10 Sähkömagneettinen yhteensopivuus (EMC)

10.1 Yleistä tietoa sähkömagneettisesta säteilystä

Sähköiset lääkintälaitteet on asennettava ja niitä on käytettävä tämän oppaan sähkömagneettista yhteensopivuutta koskevien tietojen mukaisesti.

Tämä tuote on testattu ja sen on havaittu noudattavan luokan B laitteita koskevassa standardissa IEC/EN 60601-1-2 määritetyt sähkömagneettisen yhteensopivuuden rajoja.

Kannettavat ja siirrettävät radiotaajuustietoliikennelaitteet voivat vaikuttaa tämän tuotteen toimintaan.

Muissa laitteissa saattaa esiintyä häiriötä jopa edellä mainitussa standardissa sallittujen sähkömagneettisten päästöjen matalilla tasoilla. Selvitä tuotetta käyttämällä ja käyttö lopettamalla, aiheuttaako tämä tuote häiriötä. Jos toiseen laitteeseen kohdistuva häiriö loppuu, tämä tuote aiheuttaa häiriön. Tällaisissa harvinaisissa tapauksissa häiriötä voidaan vähentää tai korjata seuraavasti:

- Laitteiden asettelu uudelleen, uudelleen sijoittaminen tai laitteiden välisen etäisyyden lisääminen.

10.2 Sähkömagneettinen säteily

Ohjeet ja valmistajan ilmoitus

Tämä tuote on tarkoitettu käytettäväksi jäljempänä määritetyssä sähkömagneettisessa ympäristössä. Tuotteen ostajan tai käyttäjän on varmistettava, että tuotetta käytetään tällaisessa ympäristössä.


Säteilytesti	Yhteensopivuus	Sähkömagneettinen ympäristö – ohjeet
Radiotaajuinen säteily CISPR 11	Ryhmä I	Tämä tuote käyttää radiotaajuista energiaa vain omiin sisäisiin toimintoihinsa. Siten radiotaajuinen säteily on erittäin vähäistä eikä todennäköisesti aiheuta häiriötä lähitöllä oleviin sähkölaitteisiin.
Radiotaajuinen säteily CISPR 11	Luokka B	Tämä tuote sopii käytettäväksi kaikissa tiloissa mukaan lukien asuintilat ja tilat, jotka on liitetty suoraan yleiseen pienjänniteverkkoon, josta asuinrakennukset saavat sähköä.
Harmoniset päästöt IEC 61000-3-2	Luokka A	
Jänniteenvaihtelut/ kohinapäästöt IEC 61000-3-3	Täyttää vaatimukset	


10.3 Sähkömagneettinen häiriönsietokyky

Ohjeet ja valmistajan ilmoitus

Tämä tuote on tarkoitettu käytettäväksi jäljempänä määritetyssä sähkömagneettisessa ympäristössä. Tuotteen ostajan tai käyttäjän on varmistettava, että tuotetta käytetään tällaisessa ympäristössä.

Häiriönsietotesti	Testit/vaatimustenmukaisuustaso	Sähkömagneettista ympäristöä koskevia ohjeita
Sähköstaattiset purkaukset (ESD) IEC 61000-4-2	± 8 kV kosketus ± 2 kV, ± 4 kV, ± 8 kV, 15 kV ilma	Lattioiden tulee olla puuta, betonia tai keraamista tiiltä. Jos lattioissa käytetään syntetisiä materiaaleja, ilman suhteellisen kosteuden tulisi olla vähintään 30 %.
Sähköstaattinen transientti/purske IEC 61000-4-4	± 2 kV virransyöttöjohdoille; 100 kHz:n toistotaajuus ± 1 kV syöttö-/lähtöjohdoille; 100 kHz:n toistotaajuus	Sähköverkkovirran laadun on oltava liikehuoneisto- tai sairaalakäyttöön sopivaa.
Ylijännite IEC 61000-4-5	± 1 kV kahden linjan välillä ± 2 kV linjan ja maadoituksen välillä	Sähköverkkovirran laadun on oltava liikehuoneisto- tai sairaalakäyttöön sopivaa.

Häiriönsietotesti	Testit/vaatimustenmukaisuustaso	Sähkömagneettista ympäristöä koskevia ohjeita
Jännitteen laskut, lyhytaikaiset häiriöt ja jänniteenvaihtelut sähkövirtaverkossa IEC 61000-4-11	< 0 % U_T 0,5 jakson aikana 45°:n välein 0 % U_T 1 jakson aikana 70 % U_T 25/30 jakson aikana < 5 % U_T 250/300 jakson aikana	Sähköverkkovirran laadun on oltava liikehuoneisto- tai sairaalakäyttöön sopivaa. Jos tämän tuotteen on toimittava jatkuvassa käytössä myös sähkökatkojen aikana, on suositeltavaa, että se saa virran UPS-virtalähteestä tai akusta. U_T tarkoittaa sähköverkkovirran jännitettä ennen testaustasoon siirtymistä.
Virran taajuuden (50/60 Hz) magneettikenttä IEC 61000-4-8	30 A/m	Virran taajuuden magneettisten kenttien on vastattava tasoltaan tyyppillistä liikehuoneisto- tai sairaalaympäristöä.
Johtuva radiotaajuus IEC 61000-4-6	3 V 150 kHz – 80 Mhz 6 V ISM- ja amatööriradiokais-toilla 10 V/m 80 Mhz – 2,7 GHz	Kiinteiden lähettimien, kuten tukiasemien (radion, matkapuhelinten, langattomien puhelinten ja maaradioliikenteen, amatööriradioiden, AM- ja FM-radiolähetysten sekä tv-lähetysten tukiasemien) kentänvoimakkuuksia ei teoreettisesti voida ennustaa tarkasti. Jotta kiinteiden radiotaajuuksilähettimien sähkömagneettista ympäristöä voitaisiin arvioida, asennuspaikalla pitäisi tehdä sähkömagneettinen mittausta. Jos mitattu kentän voimakkuus siinä tilassa, jossa tätä tuotetta käytetään, ylittää edellä mainitun hyväksyttävän radiotaajuutta koskevan vaatimustason, on tarkkailtava, että tuote toimii oikein. Jos tuote ei tunnu toimivan kunnolla, on ryhdyttävä tarvittaviin toimenpiteisiin, esimerkiksi siirrettävä se toiseen paikkaan tai toiseen asentoon. Häiriöitä voi esiintyä seuraavalla symbolilla merkittyjen laitteiden läheisyydessä: 
Säteilyt radiotaajuus IEC 61000-4-3	385–5785 MHz:n testitiedot häiriönsietokyvystä langattomia radiotaajuus- tietoliikennelaitteita vastaan viittaavat standardin IEC 60601-1-2:2014 taulukkoon 9	Kannettavaa ja liikuteltavaa radiotaajuisia tietoliikennelaitteistoja ei saa käyttää alle 30 cm:n etäisyydellä tämän tuotteen mistään osasta (johdot mukaan lukien).

 Nämä ohjeet eivät välttämättä päde kaikissa tilanteissa. Sähkömagneettisen kentän etenemiseen vaikuttavat rakenteiden, esineiden ja ihmisten aikaansaama vaimentuminen ja heijastuminen

10. 3.1 Testieritelvät häiriönsietokyvystä langattomille RF-viestintälaitteille

IEC 60601-1-2:2014 — Taulukko 9

Testitaajuus (MHz)	Kaista ^{a)} (MHz)	Palvelu ^{a)}	Modulaatio ^{b)}	Maksimi teho (W)	Etäisyys (m)	Häiriönsietotaso (V/m)
385	380–390	TETRA 400	Pulssimodulaatio ^{b)} 18 Hz	1,8	0,3	27
450	430–470	GMRS 460, FRS 460	FM ^{c)} ± 5 kHz poikkeama 1 kHz sini	2	0,3	28
710 745 780	704–780	LTE-kaista 13,17	Pulssimodulaatio ^{b)} 217 Hz	0,2	0,3	9
810 870 930	800–960	GSM 800/900, TETRA 800, iDEN 820, CDMA 850, LTE Kaista 5	Pulssi modulaatio ^{b)} 18 Hz	2	0,3	28

Testitaajuus (MHz)	Kaista ^{a)} (MHz)	Palvelu ^{a)}	Modulaatio ^{b)}	Maksimi teho (W)	Etäisyys (m)	Häiriönsietotaso (V/m)
1720 1845 1970	1700–1990	GSM 1800; CDMA 1900; GSM 1900; DECT; LTE-kaista 1, 3, 4, 25; UMTS	Pulssi modulaatio ^{b)} 217 Hz	2	0,3	28
2450	2400–2570	Bluetooth, WLAN, 802.11 b/g/n, RFID 2450, LTE Kaista 7	Pulssi modulaatio ^{b)} 217 Hz	2	0,3	28
5240 5500 5785	5100–5800	WLAN 802.11 a/n	Pulssi modulaatio ^{b)} 217 Hz	0,2	0,3	9



Lähtävän antennin ja lääkinnällisen laitteen välinen etäisyys tarvittaessa häiriötestaustason saavuttamiseksi Sähkölaitteisto tai -järjestelmä voidaan rajoittaa 1 metriin. IEC 61000-4-3 sallii 1 metrisen testietäisyyden.

- a) Joissakin palveluissa vain nousevan siirtotien taajuudet ovat mukana.
- b) Kantoaaltoa moduloidaan käyttämällä 50 %:n hyötyjakson neliösignaalia.
- c) Vaihtoehtona FM-modulaatiolle voidaan käyttää 50 %:n pulssimodulaatiota 18 hertsillä, koska, vaikka ei edustakaan todellista modulaatiota, se olisi pahin tapaus.

Inhoudsopgave

Deze handleiding dient te worden overhandigd aan de gebruiker van het product. Lees deze handleiding VÓÓR u het product gebruikt en bewaar hem voor eventuele raadplegingen in de toekomst.

1 Algemeen	73
1.1 Inleiding	73
1.1.1 Definities	73
1.2 Symbolen in deze handleiding	73
1.3 Bedoeld gebruik	73
1.4 Levensduur	73
1.5 Garantie-informatie	73
1.6 Aansprakelijkheidsbeperking	73
1.7 Naleving	74
2 Veiligheid	74
2.1 Algemene veiligheidsinformatie	74
2.2 Typeplaatjes en symbolen op het product	75
2.2.1 Productlabel	75
2.2.2 Overige labels en symbolen	75
3 Montage	76
3.1 Algemene veiligheidsinformatie	76
3.2 Omvang van de levering	76
3.3 De Soft Tilt monteren	76
4 Gebruik	79
4.1 Algemene veiligheidsinformatie	79
4.2 Overzicht	79
4.3 Bedieningsconsole en handbediening	79
4.4 Aan/uit en reset-functie	79
4.5 Noodstop	80
4.6 Handmatige bediening	80
4.6.1 Aanbevolen procedures	80
4.7 Automatische modus	80
4.7.1 Het programma Auto	81
4.7.2 Automatische werking pauzeren	81
4.8 De accu opladen	81
4.9 Noodontgrendeling van de vleugel	81
5 Programmeren	82
5.1 Afzonderlijk ingestelde programma's	81
5.2 Elk van de automatische programma's programmeren	83
5.3 Voorbeelden van programmering voor automatische drukontlasting	85
6 Onderhoud	86
6.1 Algemene informatie over onderhoud	86
6.2 Schoonmaken en desinfecteren	86
6.3 Accu	86
7 Na gebruik	87
7.1 Wegwerpen	87
7.2 Reconditionering	87
8 Problemen oplossen	88
8.1 Problemen met het elektrische systeem oplossen	88
8.2 Programmeringsfouten	89
9 Technische Specificaties	90
9.1 Kenmerken	90
9.2 Gewichten	90
9.3 Toegestane afmetingen van de matras	90
9.4 Omgevingsvoorwaarden	90
9.5 Elektrisch systeem	91
10 Elektromagnetische compatibiliteit (EMC)	92
10.1 Algemene informatie over EMC	92
10.2 Elektromagnetische straling	92
10.3 Elektromagnetische immuniteit	92
10.3.1 Testspecificaties voor immuniteit tegen RF-draadloze communicatieapparatuur	93

1 Algemeen

1.1 Inleiding

Dit document hoort bij een Invacare-accessoire en bevat belangrijke informatie over gebruik en montage. Lees de gebruiksaanwijzing van het product in kwestie aandachtig door en volg de veiligheidsinstructies op om zeker te zijn van een veilig gebruik van het product.

De gebruiksaanwijzing is te vinden op de website van Invacare, of neem contact op met uw Invacare-vertegenwoordiger. Zie adres achter in dit document.

Invacare behoudt zich het recht voor om productspecificaties zonder voorafgaande kennisgeving te wijzigen.

Controleer, voordat u dit document leest, of u de juiste versie hebt. U vindt een pdf-bestand met de laatste versie op de Invacare-website.

Als u de lettergrootte in de gedrukte versie van de document moeilijk kunt lezen, kunt u een pdf-versie downloaden van de website. In de pdf-versie kunt u de letters op het scherm aanpassen tot een grootte die u prettiger vindt.

In geval van een ernstig incident met het product, dient u de fabrikant en de bevoegde autoriteit in uw land hiervan op de hoogte te stellen.

1.1.1 Definities

Bij alle verwijzingen naar links of rechts wordt ervan uitgegaan dat een persoon op zijn rug in het bed ligt, met het hoofd bij het hoofdeinde.

1.2 Symbolen in deze handleiding

In deze handleiding worden waarschuwingen aangeduid met symbolen. De waarschuwingssymbolen worden vergezeld van een kop die de ernst van het gevaar aangeeft.



WAARSCHUWING

Duidt op een gevaarlijke situatie die kan leiden tot ernstig letsel of overlijden als de situatie niet wordt vermeden.



VOORZICHTIG

Duidt op een gevaarlijke situatie die kan leiden tot licht of klein letsel als de situatie niet wordt vermeden.



BELANGRIJK

Duidt op een gevaarlijke situatie die kan leiden tot materiële schade als de situatie niet wordt vermeden.



Tips en adviezen

Hier worden nuttige tips, adviezen en informatie voor efficiënt, probleemloos gebruik gegeven.

1.3 Bedoeld gebruik

De Soft Tilt en bedieningseenheid mogen alleen in combinatie worden gebruikt met een Invacare® Nordbed Optimo and Ultra-bed van 90 cm breed dat is voorzien van zijhekken van de juiste hoogte (zie de tabel in 9 Technische Specificaties, pagina 90), zijhekbekleding en een matras met schuimcompartimenten (zie de maattabel 9 Technische Specificaties, pagina 90)

- Als onderdeel van een geheel decubituspreventieprogramma.
- Om bedlegerige eindgebruikers te laten draaien naar

linkerzij-, rechterzij- of rugligging.

- Om de eindgebruiker te helpen in en uit bed te komen. Bij gebruik in de automatische modus dient het om de druk te verlagen voor de eindgebruiker.
- Bij gebruik in de handmatige modus dient het als hulpmiddel voor het zorgpersoneel bij het draaien van de eindgebruiker van de ene zij op de andere in bed.
- Het is geschikt voor gebruik in een thuiszorg- of verpleegsituatie en in een normale woonomgeving.
- Het is alleen geschikt voor binnengebruik.

Indicaties

De Soft Tilt is bedoeld voor de volgende groep patiënten:

- Bedlegerige, volledig of deels immobiele, volwassen eindgebruikers.
- Voor wie drukontlasting nodig is.
- Die moeten worden verzorgd in bed, zoals bij het wassen of aankleden. Deze groep eindgebruikers wordt vaak vanuit het bed overgeplaatst naar een stoel met behulp van een patiëntenlift of wordt daarbij door een verzorger en bijvoorbeeld een rollator ondersteund.

Contra-indicaties

De Soft Tilt is niet bedoeld voor psychiatrische, rusteloze of angstige gebruikers en mensen die spastisch zijn.

Voorzorgsmaatregelen

- Voordat de Soft Tilt wordt gebruikt, is het van belang om te beoordelen of de Soft Tilt geschikt is voor de desbetreffende eindgebruiker.
- Om veiligheidsredenen mag de eindgebruiker de Soft Tilt niet zelf bedienen.



WAARSCHUWING!

Andere wijzen van gebruik of onjuist gebruik kunnen tot gevaarlijke situaties leiden. Invacare aanvaardt geen aansprakelijkheid voor het gebruiken, wijzigen of monteren van het product anders dan aangegeven in deze gebruikershandleiding.

1.4 Levensduur

De verwachte levensduur van dit product is vijf jaar bij dagelijks gebruik en in overeenstemming met de veiligheidsinstructies, onderhoudstermijnen en bij correct gebruik, zoals aangegeven in deze handleiding. De effectieve levensduur kan variëren afhankelijk van de frequentie en intensiteit van het gebruik.

1.5 Garantie-informatie

Wij bieden voor dit product een fabrieksgarantie in overeenstemming met onze Algemene Voorwaarden in de respectievelijke landen.

Garantieclaims kunnen alleen worden ingediend via de dealer bij wie u het product hebt gekocht.

1.6 Aansprakelijkheidsbeperking

Invacare aanvaardt geen aansprakelijkheid voor schade veroorzaakt door:

- Niet in acht nemen van de gebruikershandleiding
- Verkeerd gebruik
- Normale slijtage
- Verkeerde montage of afstelling door de koper of een derde
- Technische aanpassingen
- Niet-geautoriseerde wijzigingen en/of gebruik van ongeschikte reserveonderdelen

1.7 Naleving

Dit product draagt het CE-keurmerk, conform de Verordening Medische Hulpmiddelen 2017/745 Klasse 1. De lanceringsdatum van dit product staat vermeld in de CE-verklaring van overeenstemming.

2 Veiligheid

2.1 Algemene veiligheidsinformatie



WAARSCHUWING!

Compatibiliteit alleen met Invacare® Nordbed Optimo en Ultra-bedden

Deze Soft Tilt-versie is specifiek bedoeld voor gebruik in combinatie met Invacare® Nordbed Optimo en Ultra-bedden van 90 cm breed.



WAARSCHUWING!

Risico op vallen

Als de Soft Tilt zonder (of met de verkeerde) zijhekken wordt gebruikt, bestaat de kans dat de gebruiker uit bed valt.

- Gebruik de Soft Tilt nooit op een bed zonder zijhekken.
- Gebruik de Soft Tilt alleen in combinatie met de in 9 Technische Specificaties, pagina 90 vermelde zijhekken van Invacare.
- Zorg er bij het gebruik van de handmatige modus altijd voor dat het zijhek aan de andere kant van waar de verzorger zich bevindt, is opgezet OF dat er een verzorger aan elke kant van het bed staat.
- Als de automatische modus is geactiveerd, moeten altijd de beide zijhekken zijn opgezet.



WAARSCHUWING!

Beknellings- en/of verstikkingsgevaar

Als de zijhekken zonder beschermhoes of met een niet-ademende beschermhoes worden gebruikt, bestaat de kans dat de gebruiker bekneeld raakt en/of stikt.

- Gebruik voor de zijhekken altijd een ademende beschermhoes als u de Soft Tilt gebruikt.



WAARSCHUWING!

Kans op vallen en/of beknelling

- Voer altijd een risicoanalyse uit van de toestand van de eindgebruiker en diens bewegingsvermogen.
- Gebruik de Soft Tilt nooit als de eindgebruiker angstig of rusteloos is.
- Zorg er, voordat u de zijstukken beweegt, voor dat de eindgebruiker in het midden van het bed ligt, met alle lichaamsdelen op de matras.
- Laat de eindgebruiker nooit zonder toezicht achter wanneer de handmatige modus is ingeschakeld.
- De eindgebruiker mag nooit in of uit bed komen terwijl de zijstukken handmatig worden bewogen of wanneer de automatische modus is geactiveerd.
- De handbediening moet altijd door de verzorger worden gebruikt.



WAARSCHUWING!

Risico op letsel of beschadiging van eigendommen

Verkeerd gebruik van de kabels kan elektrische schokken of defecten aan het product veroorzaken.

- Zorg ervoor dat u het netsnoer niet knikt, afsnijdt of beschadigt.
- Rol niet met de zwenkwielen over het netsnoer heen.
- Zorg ervoor dat het netsnoer niet tussen bewegende delen terecht komt.
- Haal de netstekker uit het stopcontact voordat u het bed verplaatst.
- Zorg ervoor dat er geen kabels (van de hoofdvoeding of andere apparatuur) bekneld of beschadigd raken als het bed wordt gebruikt.
- Houd onderdelen en accessoires van het bed op minstens 30 cm afstand van een verwarmd oppervlak en plaats ze niet in direct zonlicht.

Matrassen



WAARSCHUWING!

Veiligheidsaspecten met betrekking tot de combinatie van zijhekken en matrassen:

Voor een optimale veiligheid dienen bij het gebruik van zijhekken op het bed de minimummatrasmaten in acht te worden genomen.

- Voor de juiste afmetingen van de matras raadpleegt u de matrastabelen in hoofdstuk 9
- *Technische Specificaties, pagina 91.*

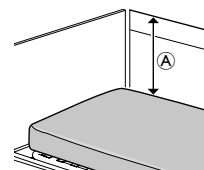


WAARSCHUWING!

Beknellings- en/of verstikkingsgevaar

Als de horizontale ruimte tussen de zijkant van de matras en de binnenkant van het zijhek te groot is, kan de eindgebruiker bekneeld raken en/of stikken. Volg de minimummatrasbreedte (en -lengte) in combinatie met een zijhek, zoals aangegeven in de matrastabel in hoofdstuk 9

- *Technische Specificaties, pagina 90.*
- Let erop dat dit risico groter is bij het gebruik van zeer dikke matrassen of zachte matrassen (lage dichtheid) of bij een combinatie van beide.



WAARSCHUWING!

Risico op vallen

Als de verticale afstand [Ⓐ] tussen de bovenkant van de matras en de rand van het zijhek/beduiteinde te klein is, kan de eindgebruiker over de rand vallen en ernstig letsel oplopen. Zie de afbeelding hierboven.

- Zorg dat de afstand [Ⓐ] aan de kant van het zijstuk waarop de gebruiker ligt (met het tweede zijstuk tot max. 12° omhoog gezet) altijd minimaal 22 cm bedraagt.
- Volg de maximummatrashoogte in combinatie met het zijhek, zoals aangegeven in de matrastabel in hoofdstuk 9 *Technische Specificaties, pagina 90.*

Elektromagnetische storing



WAARSCHUWING!

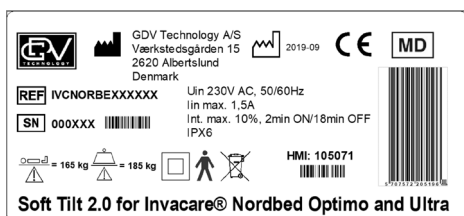
Defecten mogelijk als gevolg van elektromagnetische interferentie

Er kan elektromagnetische interferentie optreden tussen dit product en andere elektrische apparatuur. De elektrische afstel functies van dit product kunnen hierdoor verstoord worden. U kunt elektromagnetische interferentie op de volgende manieren voorkomen of verminderen:

- Gebruik alleen originele accessoires en reserve-onderdelen. Zo neemt de elektromagnetische emissie niet toe en neemt de elektromagnetische immuniteit van dit product niet af.
- Houd draagbare RF-communicatieapparatuur op ten minste 30 cm van de onderdelen van dit product (inclusief kabels).
- Gebruik dit product niet in de buurt van actieve hoogfrequente chirurgische apparatuur of een voor RF-straling afgeschermd MRI-ruimte, waar elektromagnetische storingen in hoge mate aanwezig zijn.
- Als er sprake is van storingen, vergroot u de afstand tussen dit product en de overige apparatuur of schakelt u die apparatuur uit.
- Raadpleeg de gedetailleerde informatie en volg de richtlijnen van hoofdstuk 10 *Elektromagnetische compatibiliteit (EMC)*, pagina 92.

2.2 Typeplaatjes en symbolen op het product

2.2.1 Productlabel



Het productlabel is aangebracht op de hoofdmodule van de Soft Tilt en bevat de belangrijkste productinformatie, inclusief technische gegevens.

Symbolen

	Serienummer
	Referentienummer
	Adres van de fabrikant
	Productiedatum
	Max. gebruikersgewicht
	Veilig te belasten tot maximaal
	Toegepast onderdeel van type B
	Conform AEEA
	Europese conformiteit
	Medische Hulpmiddelen
	Isolatieklasse 2
	Recyclebare batterij

Afkortingen voor technische gegevens:

- Iin = ingangsstroom
- Uin = ingangsspanning
- Int. = onderbrekingen
- AC = wisselstroom
- Max = maximum
- min = minuten

Raadpleeg 9 *Technische Specificaties*, pagina 90 voor meer informatie over de technische gegevens.

2.2.2 Overige labels en symbolen

	Lees de gebruikshandleiding zorgvuldig door voordat u dit product gebruikt en volg alle instructies met betrekking tot veiligheid en gebruik op.
	De juiste plaatsing en oriëntatie van de Soft Tilt®-hoofdmodule staan op het bed weergegeven. Zie 3.3 <i>De Soft Tilt monteren (De hoofdmodule monteren)</i> , pagina 76.
	Hier wordt de juiste plaatsing van de hoofd- en voetsteunen ten opzichte van de hoofdmodule weergegeven. Zie 3.3 <i>De Soft Tilt monteren (De zijarmen en beschermhoes plaatsen)</i> , pagina 78.
	Hier wordt de juiste plaatsing van de beschermhoes op de Soft Tilt® weergegeven. Zie 3.3 <i>De Soft Tilt monteren (De zijarmen en beschermhoes plaatsen)</i> , pagina 78.

3 Montage

3.1 Algemene veiligheidsinformatie

Controleer de verpakking na ontvangst van het product. Als de verpakking bij aflevering tekenen van beschadiging vertoont, neemt u contact op met het vervoersbedrijf.



WAARSCHUWING!

Risico op letsel of beschadiging van eigendommen

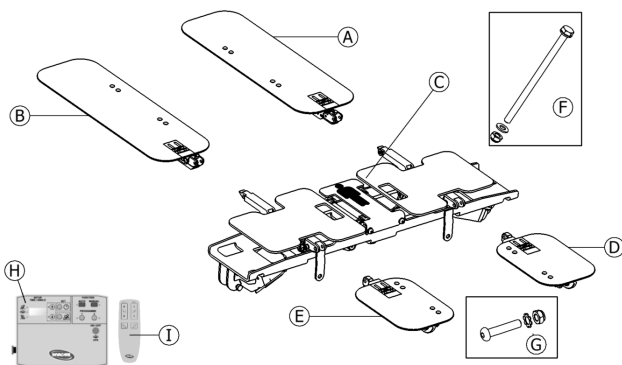
De montage en installatie dienen te worden uitgevoerd door bevoegd of opgeleid personeel.

- Deze Soft Tilt-versie is specifiek bedoeld voor gebruik in combinatie met Invacare® Nordbed Optimo en Ultra-bedden van 90 cm breed.
- Volg de instructies nauwgezet op. Mocht u vragen hebben met betrekking tot de montage, dan neemt u contact op met uw plaatselijke leverancier of Invacare-vertegenwoordiger.
- Als het product tekenen van beschadiging vertoont, mag u het niet gebruiken. Neem contact op met uw plaatselijke leverancier of Invacare-vertegenwoordiger.
- De elektrische apparatuur van het product mag niet worden gedemonteerd of in combinatie met andere elektrische apparatuur worden gebruikt.
- Controleer na elke montage of alle bevestigingen goed zijn vastgezet en alle onderdelen correct functioneren.

3.2 Omvang van de levering

De Soft Tilt wordt gedeeltelijk voormonteed, in een kartonnen doos geleverd.

Hoofdonderdelen



- Ⓐ Linkerzijarm aan hoofdeinde
 - Ⓑ Rechterzijarm aan hoofdeinde
 - Ⓒ Hoofdmodule (voormonteed deel)
 - Ⓓ Linkerzijarm aan voeteneinde
 - Ⓔ Rechterzijarm aan voeteneinde
 - Ⓕ 2 sets: Slotbout, ring en borgmoer
 - Ⓖ 4 sets: Inbusbout, ring en borgmoer
 - Ⓗ Bedieningsconsole
 - Ⓘ Handbediening
- Textielhoes (niet zichtbaar op de afbeelding)

3.3 De Soft Tilt monteren

De hoofdmodule monteren



LET OP!

Risico op schade of lichamelijk letsel

Als de hoofdmodule verkeerd wordt vastgehouden tijdens het optillen, kan dit tot schade of lichamelijk letsel leiden.

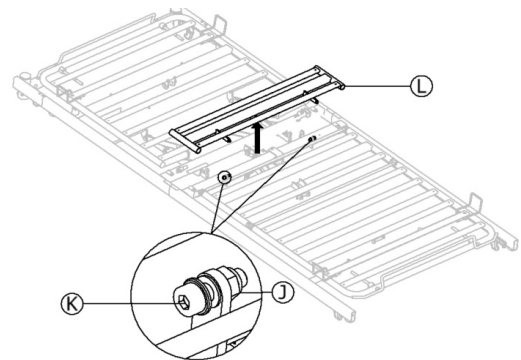
- Pak de hoofdmodule alleen vast bij de afdekplaten van de vleugels of de montagebeugels op het basisframe, waar de 'Hier optillen'-stickers geplaatst zijn.
- Pak niet de middelste afdekplaat vast.



WAARSCHUWING!

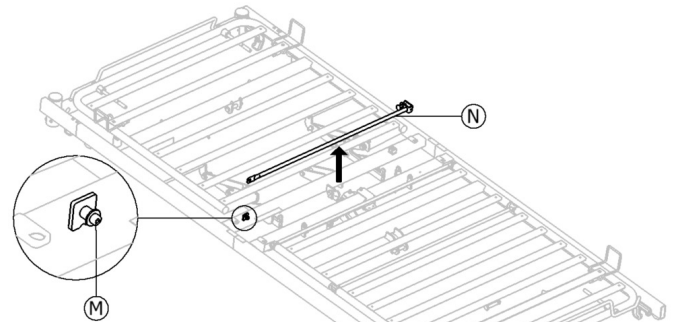
Zorg dat het bed op de juiste manier in het midden bevestigd is en dat deze plat is (180°).

1. a.



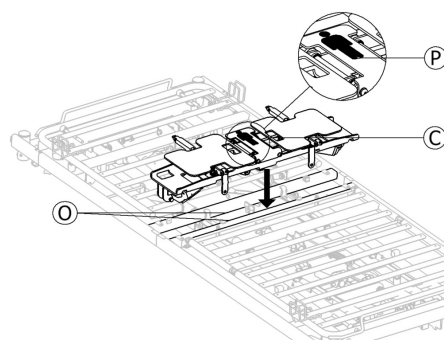
Verwijder aan iedere zijde van het bed de moer ① en schroef ② met behulp van een 13 mm moersleutel en een 6 mm inbussleutel om de latten ③ van het bed te verwijderen, en houd alle onderdelen bij de hand voor hermontage, zodra de Soft Tilt weer van het bed is verwijderd.

- b.



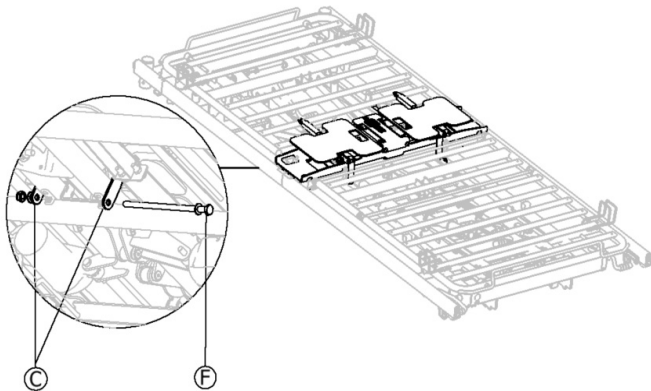
Verwijder de schroef ④ en de moer met behulp van een 3 mm inbussleutel en een 7 mm moersleutel, om de staaf ⑤ uit het bed te verwijderen, en houd alle onderdelen bij de hand voor hermontage, zodra de Soft Tilt weer van het bed is verwijderd

- 2.



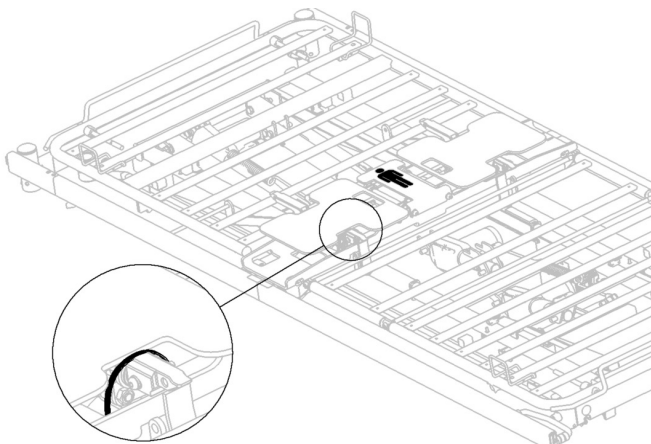
Plaats de hoofdmodule ③ op de dwarsliggers ④, waarbij u het symbool volgt dat in de ingezoomde afbeelding wordt weergegeven ⑤. Het hoofd richting het hoofdeinde van het bed en de voeten richting het voeteneinde van het bed.

3.



Bevestig de hoofdmodule op de dwarsliggers van het matrasondersteuningsframe door de slotbout ⑤ te plaatsen in de hiervoor aangewezen beugel op de hoofdmodule ③, met de ring en moer van onder beide zijden van het bed.

4.



Knip alle tie-wraps door om de vleugels los te laten, voordat u de motoren start. Zorg dat alle nieuwe tie-wraps op dezelfde plek geplaatst zijn wanneer de hoofdmodule van het bed verwijderd wordt.

Kabels

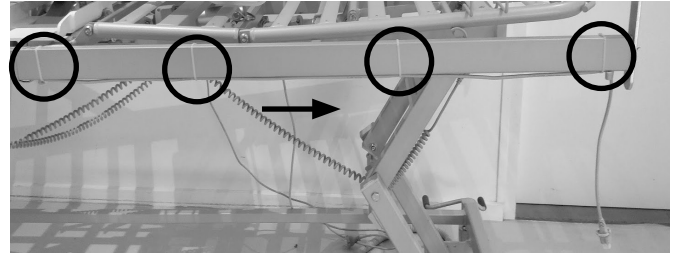
De bedieningsconsole en handbediening moeten aan de plaat van het voeteneinde worden gehangen.



Aansluitingen op de bedieningsconsole

- ③ Stroomvoorziening
- ④ Handbediening
- ⑤ Rechtermotor
- ⑥ Linkermotor

1.



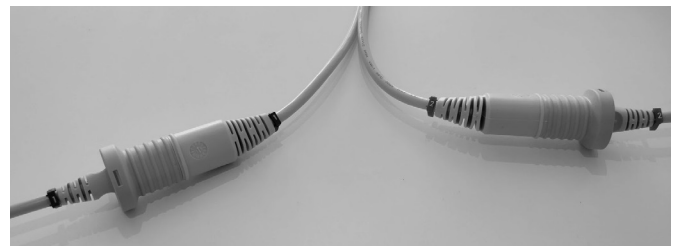
Voer de motorkabel onder het bedframe door richting het voeteneind (aangegeven door de pijl in de afbeelding), aan beide zijden van het bed en bevestig elk van de kabels met tie-wraps aan de framebuis. Zorg dat beide motorkabels bevestigd zijn met tie-wraps (aangegeven met cirkels in de afbeelding), waarbij u de eerste tie-wrap vlakbij de motor bevestigt en de laatste 3 op de framebuis richting het voeteneind. Zorg dat de uiteinden van de tie-wraps niet naar buiten wijzen ten opzichte van het bedframe.

2.




Verbind de handbediening met kabel ④ en verbind de voedingskabel ③ met de netstroom. De handbedieningskabel is gelabeld ③ op de kabelklem die hoort bij ③ op de kabel van het bedieningskastje.

3.



Verbind de kabels van de rechter en linker motor met de twee verlengkabels ⑤ en ⑥ vanuit het bedieningskastje. De rechter motorkabel is gelabeld ① op de kabelklem die overeenkomt met ① op de kabel vanuit het bedieningskastje en de linker motorkabel is gelabeld ② op de kabelklem die overeenkomt met ② op de kabel van het bedieningskastje. Schakel de noodstop uit, zet het systeem aan, activeer de handmatige modus en gebruik de handbediening om te controleren of de linker en rechtermotor op de juiste wijze verbonden zijn met het bedieningskastje (zie hoofdstuk *Gebruik* voor gedetailleerde instructies).

 Zet het bed helemaal omhoog en omlaag om te controleren of er geen kabels klem komen te zitten.

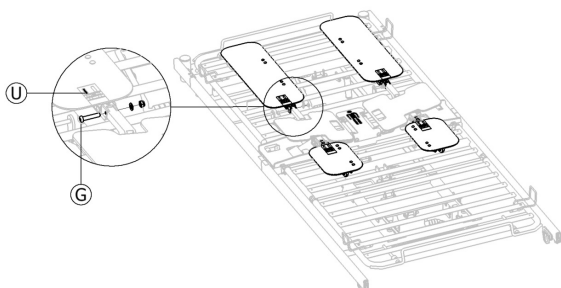
4.



Verzamel de motorkabels in een bundel en maak deze vast met een tie-wrap. Schuif het bed heen en weer om te zorgen dat de bundel niet blijft haken achter bedonderdelen en dat deze vrij kan bewegen.

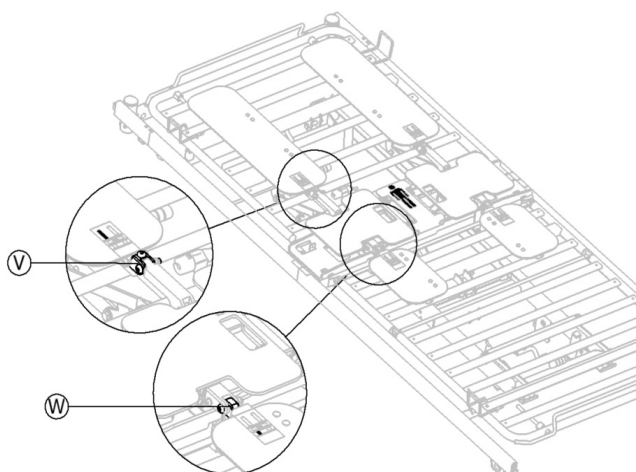
De zijarmen en beschermhoes plaatsen

1. Zorg dat de beide zijstukken van de hoofdmodule iets omhoog staan zodat de aansluitpunten voor de zijarmen bereikbaar zijn.
- 2.



Verbind de vier armen met de hoofdmodule, waarbij u de afbeelding op het armenlabel volgt dat wordt weergegeven in de ingezoomde afbeelding ①, het zwart getinte gedeelte op de sticker staat voor de locatie waar de arm geplaatst moet worden. Bevestig de vier armen met de inbusbouten uit set ② en schroef de borgmoeren naar binnen toe aan. Zorg dat de veiligheidsringen aan de kant van de borgmoer geplaatst zijn.

3.

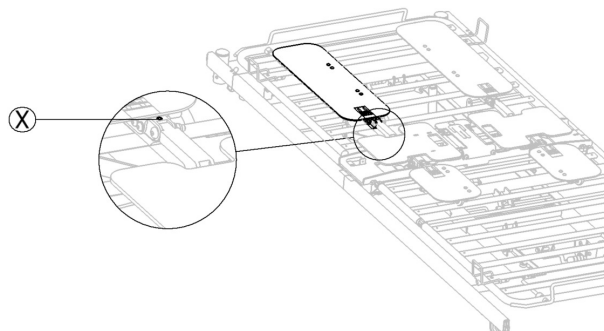


Zorg dat de hoofdarmen gemonteerd zijn op de uitschuifbare beugel ③ in het eerste schroefgat en dat u niet de resterende schroefgaten kunt zien. Zorg voor de voetenarmen dat de uitschuifbare beugel ④ gemonteerd is in het eerste schroefgat en dat u niet de resterende schroefgaten kunt zien.

4.

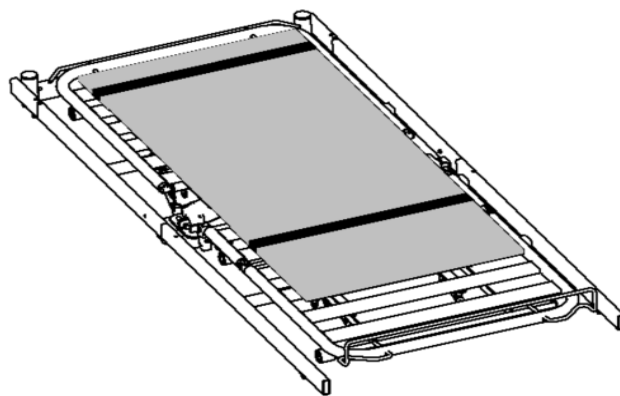
! BELANGRIJK!

Pas voorafgaand aan gebruik de positie van de vier armen aan, en houd rekening met het gewicht van de patiënt, voor optimale hefondersteuning. Zorg dat de vier armen nog steeds in een horizontale positie staan in platte modus.



Om de positie van de armen te verstellen, verstelt u de schroef ⑤ totdat de armen in een horizontale positie staan.

5.



Schuif de openingen in de beschermhoes over de zijarmen aan het hoofd- en voeteneinde. Het hoofdeinde van de hoes bevat de labelinformatie en het symbool dat de juiste plaatsing van de hoes aangeeft:



Symbool dat het hoofdeinde van de hoes aangeeft.

! BELANGRIJK!

De Soft Tilt mag niet zonder de beschermhoes worden gebruikt.

6. Leg de matras op de Soft Tilt en maak hem vast.
 - a. Maak het klittenband op de beide banden los aan de kant van de beschermhoes en laat deze naar de zijkant hangen.
 - b. Leg de matras op het bed, boven op de Soft Tilt (zie voor compatibele matrassen 9 Technische Specificaties, pagina 90).
 - c. Leg de banden over de matras heen en maak he klittenband weer vast zodat de matras stevig op de Soft Tilt komt te liggen.

4 Gebruik

4.1 Algemene veiligheidsinformatie



WAARSCHUWING!

Kans op lichamelijk letsel en beschadiging van eigendommen.

- Het bed moet zo worden geplaatst dat de hoogteaanpassing niet wordt geblokkeerd door bijvoorbeeld liften of meubilair.
- Let op dat lichaamsdelen niet bekneld raken tussen bewegende en vaste onderdelen (zoals zijhekkens of beduiteinden).
- De handbediening mag niet door kinderen worden gebruikt.
- De handbediening mag alleen door de verzorger worden gebruikt.



BELANGRIJK!

Bij stroomuitval kan de Soft Tilt dankzij de accu worden gereset via de functie "ON/OFF".

- Zorg, voordat u de Soft Tilt gebruikt, dat de accu volledig is opgeladen.
- Raadpleeg Accu in het gedeelte Onderhoud voor meer informatie.

4.2 Overzicht

De Soft Tilt werkt in een handmatige of automatische modus.

In de beide modi kunnen de normale functies van het bed worden geactiveerd.



Wanneer u de Soft Tilt gebruikt, is het aan te raden om het hoofdeinde iets omhoog te zetten zodat de gebruiker comfortabeler ligt.

Handmatige modus

De handmatige modus is speciaal ontworpen om als hulpmiddel te dienen wanneer het zorgpersoneel de indgebruiker van de ene zij op de andere in bed draait.

De zijstukken kunnen via de handbediening omhoog en omlaag worden gezet (zie het gedeelte *Handmatige bediening*).

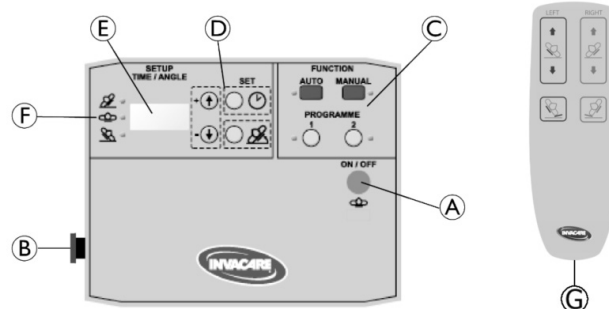
Automatische modus

De automatische modus is speciaal ontworpen om de druk te verlagen voor de eindgebruiker.

In het programma AUTO bewegen de zijstukken automatisch op basis van vooraf ingestelde parameters voor tijd en hoek (zie het gedeelte *Het programma Auto*).

In programma 1 en 2 bewegen de zijstukken automatisch op basis van afzonderlijk ingestelde parameters voor tijd en hoek (zie het gedeelte *Programmeren*).

4.3 Bedieningsconsole en handbediening



- ① Knop On/Off en Reset-functie
- ② Noodstopknop
- ③ Functieknoppen voor het kiezen van de modus
- ④ Knoppen voor het instellen van de parameters voor programma 1 en 2
- ⑤ Display
- ⑥ Positie-indicatoren
- ⑦ Handbediening

4.4 Aan/uit en Reset-functie

Het systeem inschakelen

1. Schakel het systeem in door de knop ① 3 seconden ingedrukt te houden.

Reset-functie

Met de functie Reset worden alle commando's verworpen en worden de beide zijstukken horizontaal gezet.

1. U activeert de Reset-functie door op knop ① te drukken (niet ingedrukt houden).

Het systeem uitschakelen

1. Druk op de knop ① om het systeem te resetten en wacht indien van toepassing totdat de beide zijstukken horizontaal zijn gezet.
2. Schakel het systeem uit door de knop ① 3 seconden ingedrukt te houden.

Weergave

Systeemstatus	Weergave	Opmerking
UIT		Weergave leeg
AAN	softwareversie (nummervan 3 cijfers)	Wordt 2 sec. na inschakelen systeem weergegeven. (schakelt naar passieve modus als er geen functie wordt geselecteerd).
AAN	---	Passieve modus (geen functie geselecteerd)
Resetten	OFF	Wordt weergegeven na activatie van de Reset-functie. Daarna wordt de passieve modus ingeschakeld.

4.5 Noodstop

! BELANGRIJK!

Als de noodstop is geactiveerd, is het nog steeds mogelijk om de Reset-functie te activeren door op knop ④ te drukken, waarmee zo nodig de zijstukken horizontaal kunnen worden gezet.

Bij het activeren van de noodstop worden alle bedieningselementen en bewegingen onmiddellijk stopgezet (de zijstukken blijven in de actuele stand staan).

1. Druk op de knop ③ om te activeren.
2. Draai knop ③ rechtsom om te deactiveren.
3. Druk op knop ④ om het systeem te resetten.

4.6 Handmatige bediening



WAARSCHUWING!

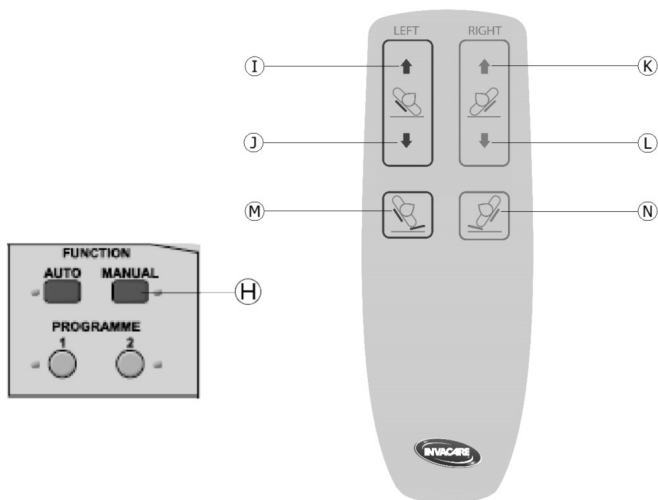
Kans op beknelling en letsel

Als de beide zijstukken gelijktijdig in een hoek van meer dan 12° omhoog worden gezet, zou de patiënt bekneld kunnen raken.

- Deze optie mag alleen worden gebruikt door opgeleid personeel.



De eerste keer dat na het inschakelen van het systeem de handmatige modus (MANUAL) wordt geactiveerd, vindt er een automatische reset plaats voordat de functie kan worden gebruikt.



1. Activeer de handmatige bediening door knop ③ 3 seconden ingedrukt te houden.
2. Druk desgewenst de knoppen in op de handbediening.
 - Om het linkerzijstuk omhoog te brengen, drukt u op ①
 - Om het linkerzijstuk omlaag te brengen, drukt u op ②
 - Om het rechterzijstuk omhoog te brengen, drukt u op ④
 - Om het rechterzijstuk omlaag te brengen, drukt u op ⑤
 - Om de rechtervleugel van 0° naar 80° te verplaatsen en de linkervleugel van 0° naar 5°, drukt u op ⑥
 - Om de linkervleugel van 0° naar 80° te verplaatsen en de rechtervleugel van 0° naar 5°, drukt u op ⑦



- De linker- en rechterknop kunnen tegelijk worden geactiveerd om de beide zijstukken gelijktijdig te laten bewegen.
- De zijstukken kunnen in een hoek van 0° tot 80° worden gezet.

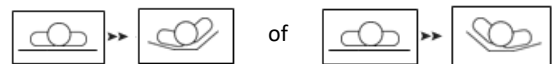
3. Om de handmatige bediening te deactiveren, drukt u op knop ON/OFF ④.

Statusindicatoren

Weergave	LED	Opmerking
0 = geen activiteit U01 = de rechtervleugel beweegt omhoog d01 = de rechtervleugel beweegt omlaag U01 = de linkervleugel beweegt omhoog d01 = de linkervleugel beweegt omlaag	MANUAL-led actief	De nummers op het display geven de hoek aan waarop de vleugel gepositioneerd staat, terwijl de letters de beweegrichting aangeven: - U = beweging omhoog. - d = beweging omlaag. - 01 = 1°

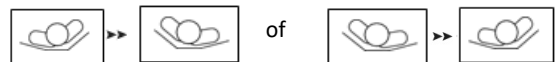
4.6.1 Aanbevolen procedures

Van een vlakke positie naar de zij draaien:



Druk op ① of ② afhankelijk van welke kant de patiënt op getild dient te worden.

Van de ene zij naar de andere draaien:



1. Indien de linkerkant omhoog staat, houdt u ① ingedrukt om van links naar rechts te verplaatsen. Laat de knop los wanneer de gewenste hoogte is bereikt.
2. Indien de rechterkant omhoog staat, houdt u ② ingedrukt om van rechts naar links te verplaatsen. Laat de knop los wanneer de gewenste hoogte is bereikt.

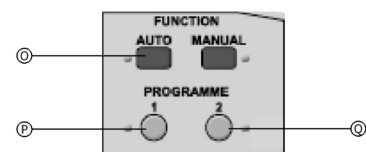
4.7 Automatische modus

Het programma AUTO is vooraf geprogrammeerd en kan niet worden gewijzigd.

Programma 1 en 2 kunnen elk afzonderlijk door een zorgmedewerker worden geprogrammeerd (zie hoofdstuk *Programmeren*). Bij levering is het programmageheugen leeg. Dit moet voor gebruik worden geprogrammeerd.




- Bij activatie van een van de programma's schakelt het systeem eerst de vlakke stand in waarna het geselecteerde programma wordt gestart.
- Als er een nieuw programma wordt geselecteerd terwijl een ander programma actief is, schakelt het systeem eerst de vlakke stand in waarna het nieuwe programma wordt gestart.



1. Druk desgewenst op de programmaknoppen.
 - Om het programma AUTO te starten, houdt u ③ 3 sec. ingedrukt.
 - Om het programma 1 te starten, houdt u ① 3 sec. ingedrukt.

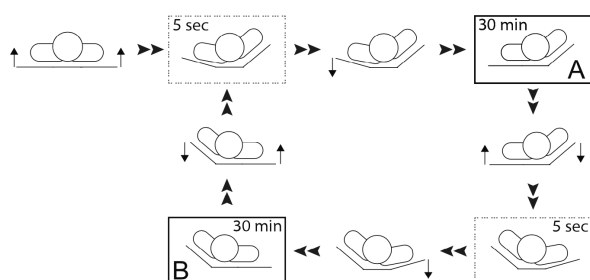
- Om het programma 2 te starten, houdt u **Ⓜ** 3 sec. ingedrukt.
2. Als u een actief programma wilt stoppen, drukt u op de knop ON/OFF **Ⓜ**.

 De handbediening werkt niet als er een programma actief is.

Statusindicatoren

Actief programma	Weergave	LED	Opmerking
AUTO	AU	AUTO-led actief	
Programma 1	P1	AUTO-led actief	
Programma 1	P2	AUTO-led actief	
Timer	P1/XX and P2/XX		Het display wisselt tussen het geselecteerde programma en de tijd tot de volgende herpositionering. -P1/01 = programma 1 en 01 minuut tot de volgende herpositionering. -P2/05 = programma 2 en 05 minuten tot de volgende herpositionering.


4.7.1 Het programma Auto

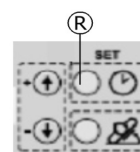


- Vanuit de vlakke beginpositie gaan de beide zijstukken direct, gelijktijdig omhoog.
- Het linkerzijstuk stopt op 12° en het rechterzijstuk stopt op 40°.
- 5 seconden nadat het rechterzijstuk op 40° is gekomen, zakt het linkerzijstuk tot 0°.
- Deze positie A wordt 30 minuten in stand gehouden.
- Gelijktijdig gaat het linkerzijstuk omhoog en het rechterzijstuk omlaag.
- Het rechterzijstuk stopt op 12° en het linkerzijstuk gaat verder omhoog tot maximaal 40°.
- 5 seconden nadat het linkerzijstuk op 40° is gekomen, zakt het rechterzijstuk tot 0°.
- Deze positie B blijft 30 minuten in stand.

Gedurende de cyclus worden posities A en B continu afgewisseld, totdat het programma wordt gestopt.

4.7.2 Automatische werking pauzeren

 Het is mogelijk om de automatische werking te pauzeren en de handbediening te gebruiken in hanmatige modus.




1. Houd de **Ⓜ**-knop 3 seconden ingedrukt terwijl een automatisch programma draait, en de vleugels zullen in de vlakke stand gaan staan. Nu kan de handmatige modus worden gebruikt.
2. Het programma dat actief was voordat er gepauzeerd werd, zal verdergaan na 30 minuten inactiviteit. 10 seconden voordat het programma begint hoort u een pieptoon. Indien de inactiviteitsperiode verlengt dient te worden, drukt u op een willekeurige toets op de handbediening nadat u de pieptoon hoort.
3. Indien het automatisch programma meteen opnieuw begint, houdt u **Ⓜ** 3 seconden ingedrukt om te activeren.

4.8 De accu opladen

De accu wordt opgeladen wanneer het systeem is aangesloten op de voeding en is ingeschakeld.

Het opladen van de accu wordt aangegeven met een stip rechtsonder op het display.

De accu wordt in 12 uur helemaal opgeladen.

 De accu wordt NIET opgeladen als fout E03 of E04 optreedt.

4.9 Noodontgrendeling van de vleugel

In het geval van een stroom- of motorstoring, kan een noodontgrendeling van de vleugel nodig zijn.



WAARSCHUWING !

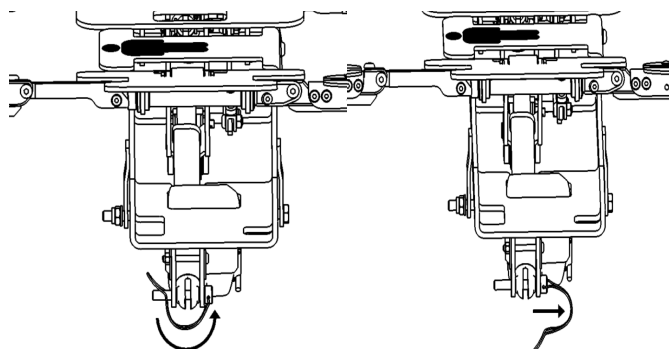
- Letselgevaar
- Minimaal twee personen zijn nodig voor een noodontgrendeling van de vleugel.
 - Wanneer u de vleugel ontgrendelt, kan het zijn dat deze snel zakt. Zorg dat u zich niet onder de vleugel en armen bevindt.



BELANGRIJK!

- Voordat u een noodontgrendeling van de vleugel uitvoert verwijdert u de stekker uit het stopcontact.

1. Beide personen houden de verhoogde vleugel vast.
2. Eén van hen lokaliseert de betreffende motorpin en trekt de veiligheidspin eruit.



- Nadat de pin is verwijderd zal de motor uit de steunbeugel glijden en langzaam de vleugel laten zakken.

5 Programmeren

5.1 Afzonderlijk ingestelde programma's

Programma 1 en 2 kunnen afzonderlijk worden geprogrammeerd door een zorgmedewerker, waarbij de hoeken van de zijstukken en de tijden voor het aanhouden van de verschillende posities in te stellen zijn.

De hoek instellen

Voor het linker- en rechterzijstuk kunnen de hoeken in de eerste zijpositie afzonderlijk worden ingesteld. De tweede (tegenovergestelde) zijpositie wordt automatisch in spiegelbeeld ten opzichte van de eerste zijpositie ingesteld.

- Als voor een zijstuk een hoek tussen 13° en 40° wordt opgegeven, wordt dat zijstuk ingesteld als het 'eerste zijstuk'.
- Het tegenoverliggende zijstuk wordt dan ingesteld als 'tweede zijstuk' waarvoor de hoek die kan worden geselecteerd is beperkt tot 0°-12°.
- Met het 'eerste zijstuk' wordt dus de eerste zijpositie van het programma bepaald.

Er zijn twee opties voor het zijstuk waarop de eindgebruiker ligt (d.w.z. het linkerzijstuk als de eindgebruiker op de linkerzij ligt):

- Als het tweede zijstuk op 0° is ingesteld, wordt de hoek vergroot naar 12° tijdens het omdraaien en wordt het 5 sec. nadat het eerste zijstuk in de ingestelde hoek is gekomen, horizontaal gezet zodat de eindgebruiker op een vlak tweede zijstuk komt te liggen.
- Als het tweede zijstuk in een hoek tussen 1° en 12° is ingesteld, blijft het in de geselecteerde hoek, in zijpositie omhoog staan en ligt de eindgebruiker op een omhoog hellend tweede zijstuk.



LET OP!

Risico op vallen

Als het tweede zijstuk omhoog blijft staan terwijl de eindgebruiker op de zij ligt, wordt de afstand tot de bovenkant van het zijhek vergroot.

- Gebruik alleen de in 9 *Technische Specificaties*, pagina 90 vermelde zijhekken voor deze situatie.

De tijd instellen:

Voor de beide zijposities en de vlakke positie kan de tijd afzonderlijk worden ingesteld tussen 000 en 180 minuten.



Het is mogelijk om te selecteren in de vlakke stand. De linker- of rechterkant begint meteen.

Als de tijd voor een zijpositie wordt ingesteld op 000 minuten:

- wordt de overgang van de vlakke positie naar de eerste zijpositie na de opgegeven tijd in gang gezet.
- wordt er alleen gewisseld tussen de vlakke positie en de andere zijpositie (bijv. vlak-rechterzij-vlak-rechterzij...)

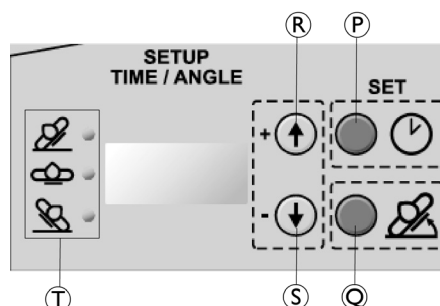
Als de tijd voor de vlakke positie wordt ingesteld op 000 minuten:

- wordt direct nadat het programma is geactiveerd de overgang naar de eerste zijpositie in gang gezet.
- wordt er alleen gewisseld tussen de twee zijposities (bijv. linker-rechterzij-linker-rechterzij...)

Als de tijd voor de vlakke positie wordt ingesteld op 3-180 minuten:

- wordt de overgang van de vlakke positie naar de eerste zijpositie na de opgegeven tijd in gang gezet.
- wordt er tussen de twee zijposities altijd naar een vlakke positie geschakeld (bijv. vlak-rechterzij-vlak-linkerzij-vlak-rechterzij...)











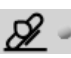









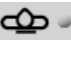


5.2 Elk van de automatische programma's programmeren



- (P) Knop voor instellen tijd/starten programmeringsmodus
- (Q) Knop voor instellen hoek
- (R) Knop voor Plus-aanpassingen (waarden voor tijd en hoek vergroten)
- (S) Knop voor Min-aanpassingen (waarden voor tijd en hoek verkleinen)
- (T) Positie-indicatoren (leds)
 - Rechts (boven) = rechterzijstuk of -positie
 - Vlak (midden) = beide zijstukken horizontaal
 - Links (onder) = linkerzijstuk of -positie

Bij het programmeren van de Soft Tilt, stelt u eerst het tijdsbestek in gedurende welke de vleugels in een verhoogde of vlakke stand staan, daarna de hoeken waarmee de vleugels worden verhoogd en als derde de beginzijde van de vleugels (rechts, links of vlak). Dit doet u voor Programma 1 of Programma 2.

Stap	Functie	Weergave	LED	Opmerking	
1	3 sec. ingedrukt houden		SEL	geen	Start de programmeringsmodus
2	Indrukken		P1	P1	Kies het in te stellen programma
	of		P2	P2	
3	Indrukken		010	P1 of P2 en rechter	De tijd wordt weergegeven
4	Indrukken		001	P1 of P2 en rechter	Stel een tijd in tussen 000 en 180 minuten (0, 3, 10-180 met intervallen van +/- 10 min.)
			020		
5	Indrukken		010	P1 of P2 en Vlakke	De tijd wordt weergegeven
6	Indrukken		001	P1 of P2 en Vlakke	Stel een tijd in tussen 000 en 180 minuten (0, 3, 10-180 met intervallen van +/- 10 min.)
			020		

Stap	Functie	Weergave	LED	Opmerking
7	Indrukken 	010	P1 of P2 en inker 	De tijd wordt weergegeven
8	Indrukken  	001 020	P1 of P2 en linker 	Stel een tijd in tussen 000 en 180 minuten (0, 3, 10-180 met intervallen van +/- 10 min.)
9	Indrukken 	A	Geen	één *PIEP* = de tijd is ingesteld.
10	Indrukken 	015	P1 of P2 en rechter 	De hoek wordt weergegeven
11	Indrukken  	014 016	P1 of P2 en rechter 	Stel een hoek in tussen 00 en 30 graden (intervallen van +/- 1 graad)
12	Indrukken 	010	P1 of P2 en linker 	De hoek wordt weergegeven
13	Indrukken  	009 011	P1 of P2 en inker 	Stel een hoek in tussen 00 en 30 graden (intervallen van +/- 1 graad)
14	Indrukken 	-	Geen	dubbele *PIEP* = de hoek is ingesteld.
15	Indrukken  	SEL	Rechts  Vlak  Links 	Verstel aan welke zijde de Soft Tilt zal beginnen: RECHTS, VLAK of LINKS.
16	Indrukken 	-	Geen	Drie keer *PIEP* = De beginzijde is gekozen en het gehele programma is opgeslagen.



- Als er gedurende 2 min. geen knoppen worden ingedrukt, wordt de programmeringsmodus automatisch afgesloten zonder op te slaan.

5.3 Programmavoorbeelden voor geautomatiseerde drukverlichting

- De eindgebruiker van de rechterzij naar een vlakke positie naar de linkerzij draaien, de hele tijd liggend op een vlak zijstuk.
 - Hoek van eerste zijstuk = 13° - 40°
 - Hoek van tweede zijstuk = 0°
 - Tijd op rechterzij, in vlakke positie en op linkerzij > 0 min.

- De eindgebruiker van de rechterzij naar een vlakke positie naar de linkerzij draaien, de hele tijd liggend op een licht omhoog hellend zijstuk.
 - Hoek van eerste zijstuk = 13° - 40°
 - Hoek van tweede zijstuk = 1° - 12°
 - Tijd op rechterzij, in vlakke positie en op linkerzij > 0 min.

Voor dit programma zijn 'hoge' zijhekken nodig.

- De eindgebruiker van de rechterzij naar de linkerzij draaien, zonder in een vlakke positie te liggen en de hele tijd liggend op een vlak zijstuk.
 - Hoek van eerste zijstuk = 13° - 40°
 - Hoek van tweede zijstuk = 0°
 - Tijd in vlakke positie = 0 min.
 - Tijd op linker- en rechterzij > 0 min.
 - Zie het gedeelte *Het programma Auto als voorbeeld*.

- De eindgebruiker van de rechterzij naar de linkerzij draaien, zonder in een vlakke positie te liggen en de hele tijd liggend op een licht omhoog hellend zijstuk (functie Cradle).
 - Hoek van eerste zijstuk = 13° - 40°
 - Hoek van tweede zijstuk = 1° - 12°
 - Tijd in vlakke positie = 0 min.
 - Tijd op linker- en rechterzij > 0 min.

Voor dit programma zijn 'hoge' zijhekken nodig.

- De eindgebruiker van één zij naar een vlakke positie en weer terug naar dezelfde zij draaien, de hele tijd liggend op een vlak zijstuk.
 - Hoek van eerste zijstuk = 13° - 40°
 - Hoek van tweede zijstuk = 0°
 - Tijd in vlakke positie > 0 min.
 - Tijd op linker- of rechterzij = 0 min.

- De eindgebruiker van één zij naar een vlakke positie en weer terug naar dezelfde zij draaien, de hele tijd liggend op een licht omhoog hellend zijstuk.
 - Hoek van eerste zijstuk = 13° - 40°
 - Hoek van tweede zijstuk = 1° - 12°
 - Tijd in vlakke positie > 0 min.
 - Tijd op linker- of rechterzij = 0 min.

Voor dit programma zijn 'hoge' zijhekken nodig..

- Beide zijstukken in dezelfde hoek omhoog gezet zonder te herpositioneren (ruggelingse omsluiting).
 - Hoek van eerste en tweede zijstuk = 10° - 12°
 - Tijd in vlakke positie = 0 min.
 - Tijd op linker- en rechterzij > 0 min (ingestelde waarden niet relevant, zie hieronder)



Er vindt geen automatische herpositionering plaats wanneer de beide zijstukken op dezelfde hoek zijn afgesteld. Om die reden hebben de ingestelde tijden voor de linker- of rechterzijligging geen enkel effect.

6 Onderhoud

6.1 Algemene informatie over onderhoud

! BELANGRIJK!

Service en onderhoud aan de Soft Tilt moeten in combinatie met het bed plaatsvinden.

- Voor gedetailleerde informatie over onderhoudsprocedures en -checklists raadpleegt u de *Gebruikshandleiding en/of de Onderhoudshandleiding* voor het bed in gebruik.

6.2 Schoonmaken en desinfecteren



WAARSCHUWING!

Verontreinigingsrisico

- Neem voorzorgsmaatregelen voor uzelf en gebruik gepaste beschermingsmiddelen.

! BELANGRIJK!

Het gebruik van de verkeerde vloeistoffen of methoden kan het product aantasten of beschadigen.

- Alle gebruikte reinigingsmiddelen en ontsmettingsmiddelen moeten effectief en compatibel met elkaar zijn, en moeten de materialen die ze reinigen beschermen.
- Gebruik nooit bijtende middelen (basische middelen, zuren, celluloseverdunder, aceton, etc.). We bevelen een gewoon huishoudelijk reinigingsmiddel aan zoals afwasmiddel, indien niet anders aangegeven in de reinigingsvoorschriften.
- Gebruik nooit een oplosmiddel dat de structuur van het plastic verandert of dat de bevestigde labels oplost.
- Zorg altijd dat het product volledig gedroogd is voordat u het weer in gebruik neemt.

Elektrische onderdelen

! BELANGRIJK!

De IP-classificatie geeft aan of de elektrische onderdelen afwasbaar zijn.

Elektronica van klasse IPx6 mogen NIET met een hogedrukreiniger of in een wasstraat worden gereinigd.

Elektronica die geclassificeerd zijn als IP66 kunnen gereinigd worden met luchtstraalreinigungsapparatuur, maar NIET in een wasstraat.

- De IP-classificatie wordt aangegeven op het serielabel van de elektrische onderdelen.
- Houd er rekening mee dat elk onderdeel een andere classificatie kan hebben.
- De laagste IP-classificatie bepaalt de algemene classificatie van de combinatie.

Textiel

Gedetailleerde wasinstructies vindt u op het label van de textielhoes.

Zorg dat u de schuimrubberen versteviging uit het voeteinde van de hoes heeft verwijderd, voordat u de hoes in een wasmachine plaatst.

Algemene reinigingsmethode

Methode: Afnemen met een natte doek of zachte borstel.

Max. temperatuur: 40 °C

Oplosmiddel: Een mild huishoudelijk schoonmaakmiddel of water en zeep.

! BELANGRIJK!

Voor gedetailleerde informatie over reinigingsmethoden raadpleegt u de gebruikshandleiding van het bed in gebruik.

Reinigingsperiodes

! BELANGRIJK!

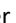
Regelmatige reiniging en desinfectie zorgt voor een soepele bediening, verlengt de levensduur en voorkomt verontreiniging.

Reinig en desinfecteer het product

- voorafgaand en na iedere onderhoudsprocedure,
- wanneer het in contact is geweest met lichaamsvloeistoffen,
- voordat u het gebruikt voor een nieuwe gebruiker.

6.3 Accu

We raden u aan de accu elke zes maanden te controleren:

1. Zet de beide zijstukken omhoog en haal de stekker uit het stopcontact.
2. Druk op de knop ON/OFF  en controleer of de beide zijstukken horizontaal worden gezet.

We raden u aan de accu na vier jaar te vervangen – Bel uw leverancier/een monteur om de accu te laten vervangen.

Opslag

! BELANGRIJK

Zorg er voordat u de Soft Tilt opbergt voor dat het systeem helemaal is uitgeschakeld en dat de noodstopknop is ingedrukt om te voorkomen dat de accu leeg raakt.

7 Na gebruik

7.1 Wegwerpen



WAARSCHUWING!

Milieugevaar

Het apparaat bevat batterijen.

Dit product kan stoffen bevatten die schadelijk kunnen zijn voor het milieu indien deze op plekken (afvalstortplaatsen) wordt weggegooid die niet voldoen aan de wetgeving.

- Gooi batterijen NIET bij het gewone restafval.
- Batterijen MOETEN naar een geschikte afvalverwerkingslocatie gebracht worden. Dit is wettelijk vereist en is gratis.
- Gooi alleen lege batterijen weg.
- Voor meer informatie over het batterijtype raadpleegt u het label van de batterij of hoofdstuk 9 *Technische Specificaties, pagina 90*.

Wees milieubewust en recycle dit product door middel van uw recyclingfaciliteiten zodra het product het einde van zijn levensduur heeft bereikt.

Demonteer het product en al zijn onderdelen, zodat de verschillende materialen afzonderlijk gescheiden en gerecycled kunnen worden.

Het weggooien en recyclen van gebruikte producten en verpakkingen moet voldoen aan de wetten en regelgeving voor afvalverwerking in ieder land. Neem contact op met uw plaatselijk afvalverwerkingsbedrijf voor meer informatie.

We gebruiken alleen materialen en onderdelen die aan REACH voldoen.

- Alle elektronische onderdelen dienen gedemonteerd te worden en dienen weggegooid te worden als elektronische onderdelen.
- Plastic onderdelen dienen weggebracht te worden om verbrand of gerecycled te worden.
- Stalen onderdelen dienen te worden weggegooid als schroot.

7.2 Reconditionering

Dit product is geschikt voor hergebruik. Om het product te reconditioneren voor een nieuwe gebruiker, voert u de volgende handelingen uit:

- Inspectie, reiniging en desinfectie zoals beschreven in hoofdstuk 6 *Onderhoud, pagina 86*.

8 Problemen oplossen

8.1 Problemen met het elektrische systeem oplossen

Fout	Weergave (knippert met tussenpozen van 0,5 sec.)		Akoestisch signaal	LED (knippert geel)	Opmerking	Oplossing
Motor LINKS loopt vast Overbelasting op de motor LINKS	E01	E0	10 pieptonen van 1 sec. AAN en 1 sec. UIT Bij het opnieuw activeren van de motor: 1 pieptoon van 1 sec.	Links	alleen in Auto-modus (geen weergave, akoestisch signaal en knipperende led in handmatige modus)	Controleer of de kabels van en naar de motor aan de volgende voorwaarden voldoen: - Kabel niet beschadigd. - Kabel goed aangesloten op motor. - Kabelconnector goed geplaatst en intact.
Motor RECHTS loopt vast Overbelasting op de motor RECHTS	E02	E0		Rechts		
Accumodus: Stroomstoring OF noodstop geactiveerd	E03	E0	4 pieptonen van 1 sec. AAN en 1 sec. UIT		<ul style="list-style-type: none"> - 1e akoestische signaal wanneer voeding wordt losgekoppeld OF de noodstop wordt geactiveerd. De accumulodus wordt ingeschakeld en de zijstukken bewegen niet meer/blijven in de huidige stand. - 2e akoestische signaal na 20 min. - 3e akoestische signaal na 40 min. - Na 60 min. krijgt het systeem de foutstatus accu bijna leeg (E04). 	Sluit aan op de voeding EN/OF deactiveer de noodstop om op teladen, en controleer de accu (zie hoofdstuk Onderhoud voor meer informatie).
Accu bijna leeg	E04	E0	4 pieptonen van 1 sec. AAN en 1 sec. UIT		<ul style="list-style-type: none"> - 1e akoestische signaal wanneer de accu bijna leeg blijkt te zijn in de accumulodus. - Akoestische signalen worden elke 20 min. herhaald totdat het systeem gedurende één verlaging naar de accuspaarstand schakelt. 	
Het systeem kan niet worden ingeschakeld					Ondanks dat de voeding is aangesloten, schakelt het systeem niet in.	Controleer of de noodstop is geactiveerd en deactiveer deze zo nodig.



Druk op de knoppen ON/OFF om de FOUT te herstellen en probeer het opnieuw.

Neem contact op met uw leverancier of Invacare-vertegenwoordiger als de problemen hiermee niet kunnen worden opgelost.

8.2 Programmeringsfouten

Foutenweergave bij verkeerd ingestelde waarden voor programma 1 of 2



Fout	Weergave	Akoestisch signaal	Opmerking
Programma 1 of 2	E40 gedurende 4 sec.	2 pieptonen van 5 sec. AAN en 1 sec. UIT	<p>Treedt op wanneer programma 1 of 2 met verkeerd ingestelde waarden wordt geactiveerd.</p> <p>De volgende combinatie van tijden voor de linkerzij, rechterzij en vlakke positie gelden als verkeerd ingestelde waarden:</p> <ul style="list-style-type: none"> -Alle drie de tijden = 0 min. -Slechts één tijd > 0 min. / twee tijden = 0 min. - Indien u aan één kant 0 min selecteert en dezelfde zijde als beginzijde selecteert.

9 Technische Specificaties

9.1 Kenmerken

Automatische modus	ja
Max. hoek in handmatige modus	80°
Max. hoek in automatische modus	eerste zijstuk = 40° tweede zijstuk = 12°
Hoeken in automatische modus	0°–40° (interval van +/- 1°)
Tijden in automatische modus	0, 3, 10–180 min (intervallen van +/- 10 min.)

9.2 Gewichten

	Max. gebruikersgewicht (ervan uitgaande dat het gewicht van de matras niet meer dan 20 kg bedraagt)	165 kg
	Veilig te belasten tot maximaal (inclusief matras)	185 kg

Gewicht van de Soft Tilt-onderdelen

Compleet (hoofdmodule en 4 zijarmen)	31 kg
Zijarm hoofdeinde (1 stuk)	3.8 kg
Zijarm voeteneinde (1 stuk)	2.6 kg
Hoofdmodule	18.2 kg
Bedieningsconsole	2.5 kg

9.3 Toegestane afmetingen van de matras

Matrashoogte en bijpassende zijhekken



BELANGRIJK!

Afhankelijk van of de eindgebruiker in zijligging op een vlak zijstuk ligt (matras horizontaal) of dat het zijstuk waarop de eindgebruiker ligt tot 12° omhoog is gezet, zijn er verschillende combinaties matrassen en zijhekken nodig (zie de relevante tabel hieronder).

- Eindgebruiker ligt op vlak zijstuk

Toegestane matrashoogte, wanneer de eindgebruiker op een vlak zijstuk ligt (tweede zijstuk = 0°).

Zijhek	Matrashoogte
Ane/ Ane(83/85)	10–14 cm
Ane High / Ane High(83/85)	14–24 cm
Freya/Embla	10-13 cm
Freya / Embla met zijhekverhoger bevestigd*- de hoogte wordt met 6 cm verlengd	11–19 cm
Freya / Embla met zijhekverhoger bevestigd*- de hoogte wordt met 10 cm verlengd	15-23 cm

* Moet er af worden gehaald wanneer het zijhek wordt neergeklapt en de eindgebruiker het bed verlaat.

- Eindgebruiker ligt op omhoog gezet zijstuk

Toegestane matrashoogte, wanneer de eindgebruiker op zijstuk in een omhoog hellende hoek van tot 12° ligt (tweede zijstuk = 1-12°).

Zijhek	Matrashoogte
Ane High / Ane High(83/85)	14–18 cm
Freya / Embla met zijhekverhoger bevestigd*- de hoogte wordt met 6 cm verlengd	11–13 cm
Freya / Embla met zijhekverhoger bevestigd*- de hoogte wordt met 10 cm verlengd	15-17 cm

* Moet er af worden gehaald wanneer het zijhek wordt neergeklapt en de eindgebruiker het bed verlaat.

Matrasbreedte en -lengte afhankelijk van de breedte van het bed en de zijrail

Zijhek	Toegestane matrasbreedte	Min. lengte	Bedbreedte
Ane (83/85) / Ane High (83/85)	83–85 cm	200 cm	90 cm
Ane / Ane High / Freya / Embla / Freya / Embla met zijhekverhoger bevestigd*- de hoogte wordt met 6 cm verlengd Freya / Embla met zijhekverhoger bevestigd*- de hoogte wordt met 10 cm verlengd	88-90 cm		



Een matras met compartimenten wordt aanbevolen.





9.4 Omgevingsvoorwaarden

	Opslag en transport	Bediening
Temperatuur	-10 °C tot +50 °C	+5 °C tot +40 °C
Relatieve vochtigheid	20% tot 75%	
Atmosferische druk	800 hPa tot 1060 hPa	



Als een bed bij een lage temperatuur opgeslagen is geweest, moet het eerst op bedrijfstemperatuur komen voordat het in gebruik wordt genomen.

9.5 Elektrisch systeem

Toevoerspanning: U _{in} 230 V, AC, 50/60 Hz (AC = wisselstroom)
Maximale ingangsstroom: I _{in} max. 1,5 ampère
Met onderbrekingen (periodieke motorfunctie): I _{nt} = max. 10%, 2 min AAN / 18 min UIT
Isolatieklasse: KLASSE II 
Toegepast onderdeel van type B  Toegepast onderdeel voldoet aan de opgegeven vereisten voor bescherming tegen elektrische schokken in overeenstemming met IEC60601-1. (Een toegepast onderdeel is een onderdeel van het medische apparaat dat is ontworpen om fysiek in contact te komen met de patiënt of een onderdeel dat mogelijk in contact komt met de patiënt.)
Batterijtype: LP 12-0,8 (12 V 0,8AH) verzegelde lood-zuurbatterij   Pb
Constance laadspanning: <ul style="list-style-type: none"> • Standby gebruik: 13,5-13,8 V • Cyclusverbruik: 14,4-15,0 V • Beginstroom: Minder dan 0,24 A
Geluidsniveau: 58,5 dB(A)
Mate van bescherming: IPx6* of IP66** De hoofdmodule, actuators en handbediening zijn beschermd conform IPx6. De bedieningsconsole is beschermd conform IP66.

*Een IPx6-classificatie houdt in dat het elektrische systeem beschermd is tegen water dat vanuit een willekeurige richting wordt gespoten (geen hoge druk).

** IP66-classificatie betekent dat het elektronisch systeem beschermd is tegen waterstromen onder hoge druk vanuit iedere richting, en volledig beschermd tegen stof en andere deeltjes, met een vacuümafichting.

10 Elektromagnetische compatibiliteit (EMC)

10.1 Algemene informatie over EMC

Elektrische medische apparatuur moet worden geïnstalleerd en gebruikt in overeenstemming met de EMC-informatie in deze handleiding.

Tests hebben uitgewezen dat dit product voldoet aan de EMC-richtlijnen volgens IEC/EN 60601-1-2 voor apparatuur van klasse B.

Draagbare en mobiele RF-communicatieapparatuur kan de werking van dit product beïnvloeden.

Bij andere apparaten kan er al van interferentie sprake zijn bij zeer lage elektromagnetische straling, zelfs als wordt voldaan aan bovengenoemde richtlijnen. Om te kunnen bepalen of emissie uit dit product de oorzaak is van de interferentie, schakelt u het product in en weer uit. Als er bij uitschakeling van dit product geen interferentie meer optreedt, is het product de oorzaak van de interferentie. In dit soort zeldzame gevallen kunt u het volgende doen om de interferentie te verminderen of te stoppen:

- Draai of verplaats het product, of vergroot de afstand tussen de apparaten.

10.2 Elektromagnetische straling

Richtlijn en verklaring van de fabrikant

Dit product is bedoeld voor gebruik in een elektromagnetische omgeving zoals hieronder aangegeven. De klant of de gebruiker van dit product moet zeker stellen dat dit in een dergelijke omgeving wordt gebruikt.


RF-emissietest	Naleving	Elektromagnetische omgeving – richtlijn
RF-emissies CISPR 11	Groep I	Dit product gebruikt elektromagnetische energie uitsluitend voor de interne functies. Daardoor zijn de RF-emissies zeer laag en veroorzaken deze hoogstwaarschijnlijk geen interferentie in nabije apparaten.
RF-emissies CISPR 11	Klasse B	Dit product is geschikt voor gebruik in alle situaties, inclusief thuissituaties en overal waar het openbare laagspanningsnet de stroom levert voor huishoudelijke doeleinden.
Harmonische emissies IEC 61000-3-2	Klasse A	
Spanningsfluctuaties/flikkeremissies IEC 61000-3-3	Voldoet	


10.3 Elektromagnetische immuniteit

Richtlijn en verklaring van de fabrikant

Dit product is bedoeld voor gebruik in een elektromagnetische omgeving zoals hieronder aangegeven. De klant of de gebruiker van dit product moet zeker stellen dat dit in een dergelijke omgeving wordt gebruikt.

Immuniteitstest	Testniveau/ mate van overeenkomst	Elektromagnetische omgeving– richtlijn
Elektrostatische ontlading (ESD) IEC 61000-4-2	± 8 kV contact ± 2 kV, ± 4 kV, ± 8 kV, 15 kV lucht	Vloeren moeten van hout, beton of tegels zijn. Als vloeren zijn bekleed met synthetische vloerbedekking, moet de relatieve vochtigheid minstens 30% bedragen.
Elektrostatische transiënt/ burst IEC 61000-4-4	± 2 kV voor stroomtoevoerkabels; 100 kHz herhaalfrequentie ± 1 kV voor input-/outputkabels; 100 kHz herhaalfrequentie	De kwaliteit van de netstroom moet overeenkomen met die van een commerciële omgeving of ziekenhuisomgeving.
Overspanning IEC 61000-4-5	± 1 kV kabel naar kabel ± 2 kV kabel naar aarde	De kwaliteit van de netstroom moet overeenkomen met die van een commerciële omgeving of ziekenhuisomgeving.

Immunitiestest	Testniveau/ mate van overeenkomst	Elektromagnetische omgeving– richtlijn
Spanningsdips, korte onderbrekingen en spanningsvariëaties op stroomtoevoerkabels IEC 61000-4-11	< 0% U_T gedurende 0,5 cyclus in stappen van 45° 0% U_T gedurende 1 cyclus 70% U_T gedurende 25 / 30 cycli < 5% U_T gedurende 250 / 300 cycli	De kwaliteit van de netstroom moet overeenkomen met die van een commerciële omgeving of ziekenhuisomgeving. Als de gebruiker van dit product continue beschikbaarheid vereist gedurende netspanningsonderbrekingen, wordt aangeraden het product van voeding te voorzien met een noodstroomvoorziening (UPS, Uninterruptable Power Supply) of een accu. U_T is de netspanning vóór toepassing van de test.
Magnetisch veld van netstroomfrequentie (50/60 Hz) IEC 61000-4-8	30 A/m	Magnetische velden van de netspanningsfrequentie moeten op een niveau liggen dat kenmerkend is voor een typische commerciële omgeving of ziekenhuisomgeving.
Geleidings-RF IEC 61000-4-6	3 V 150 kHz - 80 Mhz 6 V binnen bandbreedtes voor ISM en amateurradio 10 V/m 80 Mhz - 2,7 GHz	De veldsterkte van vaste zenders, zoals basisstations voor draadloze telefonie, mobilofoons, amateurzenders, AM- en FM-radiozenders en tv-zenders kunnen theoretisch niet nauwkeurig worden voorspeld. Om de invloed van vaste RF-zenders op de elektromagnetische omgeving te bepalen, moet een elektromagnetisch veldonderzoek worden overwogen. Indien de gemeten veldsterkte op de locatie waar het product wordt gebruikt de eerdergenoemde toegestane elektromagnetische waarden overstijgt, moet dit product worden geobserveerd om normaal functioneren vast te stellen. Als abnormaal functioneren wordt geconstateerd, zijn wellicht extra maatregelen nodig, zoals het verdraaien of verplaatsen van het product.
Stralings-RF IEC 61000-4-3	Zie tabel 9 van IEC 60601-1-2:2014 voor specificaties van de 385 MHz - 5785 MHz-test met betrekking tot immuniteit voor draadloze RF-communicatie-apparatuur.	Interferentie kan optreden in de nabijheid van apparatuur met het volgende symbool:  Houd draagbare en mobiele RF-communicatieapparatuur op ten minste 30 cm van de onderdelen van dit product (inclusief kabels).

 Deze richtlijnen zijn mogelijk niet in alle omstandigheden van toepassing. Elektromagnetische straling wordt beïnvloed door absorptie en reflectie van gebouwen, objecten en mensen.

10. 3.1 Testspecificaties voor immuniteit tegen RF-draadloze communicatieapparatuur

IEC 60601-1-2:2014 — Tabel 9

Testfrequentie (MHz)	Band ^{a)} (MHz)	Service ^{a)}	Modulatie ^{b)}	Maximaal vermogen (W)	Afstand (m)	Grenswaarde voor immuniteit (V/m)
385	380 - 390	TETRA 400	Pulsbreedtemodulatie ^{b)} 18 Hz	1,8	0,3	27
450	430 - 470	GMRS 460, FRS 460	FM ^{c)} ± 5 kHz afwijking 1 kHz sine	2	0,3	28
710 745 780	704 - 780	LTE Band 13,17	Pulsbreedtemodulatie ^{b)} 217 Hz	0,2	0,3	9
810 870 930	800 - 960	GSM 800/900, TETRA 800, iDEN 820, CDMA 850, LTE Band 5	Puls breedtemodulatie ^{b)} 18 Hz	2	0,3	28

Testfrequentie (MHz)	Band ^{a)} (MHz)	Service ^{a)}	Modulatie ^{b)}	Maximaal vermogen (W)	Afstand (m)	Grenswaarde voor immuniteit (V/m)
1720 1845 1970	1700 - 1990	GSM 1800, CDMA 1900; GSM 1900, LTE Band 13,17 1, 3, 4, 25 - 1990 UMTS	Puls breedtemodulatie ^{b)} 217 Hz	2	0,3	28
2450	2400 - 1990	Bluetooth, WLAN, 802.11 b/g/n, RFID 2450, LTE Band 7	Puls breedtemodulatie ^{b)} 217 Hz	2	0,3	28
5240 5500 5785	5100 - 5800	WLAN, 802.11 a/n	Puls breedtemodulatie ^{b)} 217 Hz	0,2	0,3	9



Indien het nodig blijkt om de grenswaarde voor immuniteit te bereiken, kan de afstand tussen de verzendende antenne en de medische elektronische apparatuur of het systeem verkleind worden tot 1 m. De 1 m testafstand is toegestaan door IEC 61000-4-3.

a) Voor sommige diensten zijn alleen de uplinkfrequenties inbegrepen.

b) De drager zal gemoduleerd worden middels een 50 % inschakelduur blokvormig signaal.

c) Als alternatief voor FM-modulatie kan 50 % pulsbreedtemodulatie op 18 Hz worden gebruikt, want hoewel dit niet staat voor daadwerkelijke modulatie, zou dit het slechtste geval zijn.

Innholdsfortegnelse

Denne veiledningen skal overleveres til sluttbrukeren. Les denne veiledningen FØR du bruker produktet, og behold den for fremtidig referanse.

1 Generell informasjon	96
1.1 Innledning	96
1.1.1 Definisjoner	96
1.2 Symboler i denne håndboken	96
1.3 Bruksområde	96
1.4 Levetid	96
1.5 Garantiopplysninger	96
1.6 Ansvarsbegrensning	96
1.7 Samsvar med forskrifter og standarder	97
2 Sikkerhet	97
2.1 Generell sikkerhetsinformasjon	97
2.2 Merking og symboler på produktet	98
2.2.1 Produktetikett	98
2.2.2 Andre etiketter og symboler	98
3 Montering	99
3.1 Generell sikkerhetsinformasjon	99
3.2 Levert produkt	99
3.3 Montere Soft Tilt	99
4 Bruk	102
4.1 Generell sikkerhetsinformasjon	102
4.2 Oversikt	102
4.3 Kontrollboks og håndkontroll	102
4.4 På/Av og nullstillingsfunksjon	102
4.5 Nødstopp	103
4.6 Manuell betjening	103
4.6.1 Anbefalte prosedyrer	103
4.7 Automatisk betjening	103
4.7.1 Automatisk programsekvens	104
4.7.2 Sette automatisk drift på pause	104
4.8 Lade batteriet	104
4.9 Nødutløsning av vingen	104
5 Programmering	105
5.1 Individuelt definerte programmer	105
5.2 Hvordan programmere de individuelle, automatiserte programmene	106
5.3 Programeksempler for automatisert trykkavlastning	108
6 Vedlikehold	109
6.1 Generell vedlikeholdsinformasjon	109
6.2 Rengjøring og desinfisering	109
6.3 Batteri	109
7 Etter bruk	110
7.1 Kasting	110
7.2 Sette i stand igjen	110
8 Feilsøking	111
8.1 Feilsøking av det elektriske systemet	111
8.2 Programmeringsfeil	112
9 Tekniske Data	113
9.1 Egenskaper	113
9.2 Vekt	113
9.3 Tillatt madrassstørrelse	113
9.4 Miljøbetingelser	113
9.5 Elektrisk system	114
10 Elektromagnetisk kompatibilitet	115
10.1 Generell EMC-informasjon	115
10.2 Elektromagnetisk utslipp	115
10.3 Elektromagnetisk immunitet	115
10.3.1 Testspesifikasjoner for immunitet overfor trådløst RF-kommunikasjonsutstyr	116

1 Generell informasjon

1.1 Innledning

Denne bruksanvisningen er for ekstrautstyr fra Invacare og inneholder viktig informasjon om håndtering og montering. Les bruksanvisningen til produktet nøye og følg sikkerhetsinstruksjonene i den, slik at du kan bruke produktet på en sikker måte.

Finn bruksanvisningen på Invacares hjemmeside eller kontakt din Invacare-representant. Se adresser bakerst i denne håndboken.

Invacare forbeholder seg retten til å endre produktspesifikasjoner uten forvarsel.

Før du leser denne håndboken, må du forsikre deg om at du har den nyeste versjonen. Du finner den nyeste versjonen som en PDF-fil på Invacare-nettstedet.

Hvis skriftstørrelsen i utskriftsversjonen av bruksanvisningen er vanskelig å lese, kan du laste ned PDF-versjonen fra nettstedet. Deretter kan du skalere PDF-en, slik at fontstørrelsen fungerer bedre for deg.

Dersom det oppstår en alvorlig hendelse med produktet, må du gi beskjed til produsenten og relevante myndigheter i ditt land

1.1.1 Definisjoner

Alle henvisninger til venstre og høyre er basert på at en person ligger på ryggen i sengen, med hodet i hodeenden.

1.2 Symboler i denne håndboken

Advarslene i denne bruksanvisningen er angitt med symboler. Advarselssymbolene ledsages av en overskrift som angir alvorlighetsgraden.



ADVARSEL
Angir en farlig situasjon som kan føre til alvorlig personskade eller død dersom den ikke unngås.



FORSIKTIG
Angir en farlig situasjon som kan føre til lettere skade dersom den ikke unngås.



VIKTIG
Angir en farlig situasjon som kan føre til skade på utstyr hvis den ikke unngås.



Tips og anbefalinger
Gir nyttige tips, anbefalinger og opplysninger når det gjelder effektiv og problemfri bruk.

1.3 Bruksområde

Soft Tilt og kontrollenheten er beregnet på å bli brukt bare i Invacare® Nordbed Optimo og Ultra -senger med bredde på 90 cm., utstyrt med sengegrinder i riktig høyde (se tabellen i 9 *Tekniske Data, side 113*), sengegrindtrekk og kastellert skummadrass (se størrelsestabell 9 *Tekniske Data, side 113*)

- Som ledd i et helhetlig program for å forhindre trykksår.
- For å snu sengeliggende sluttbrukere så de ligger på venstre eller høyre side, eller på ryggen.
- Hjelper sluttbrukeren til å komme seg inn i og ut av sengen.
- Når brukt i «automatisk» modus, er den designet for å gi sluttbrukere redusert trykk.

- Når brukt i «manuell» modus, er den designet til å støtte helsepersonell i å snu sluttbrukeren fra side til side i sengen.
- Den er egnet for bruk i alle hjemmesituasjoner, boliger og pleieinstitusjoner.
- Den egner seg kun for innendørs bruk.

Indikasjoner

Soft Tilt er beregnet på følgende pasientgrupper:

- Sengeliggende, immobile/delvis immobile voksne sluttbrukere.
- Som trenger pleie av trykksår.
- Som trenger pleie i sengen som personlig hygiene,
- bandasjering, osv. Denne gruppen sluttbrukere blir ofte flyttet fra seng til stol med en løfteanordning eller med manuell støtte fra helsepersonell i kombinasjon med et teknisk hjelpemiddel som en rullator.

Kontraindikasjoner

Soft Tilt er ikke beregnet for psykiatriske, rastløse eller engstelige sluttbrukere eller personer med krampes.

Forholdsregler

- Før Soft Tilt brukes, er det viktig å vurdere om den er egnet for den aktuelle sluttbrukeren.
- Av sikkerhetsmessige årsaker må ikke sluttbrukeren betjene Soft Tilt selv.



ADVARSEL!

Dersom sengen brukes på en annen eller feilaktig måte, kan dette føre til farlige situasjoner. Invacare erkjenner ikke ansvar for annen type bruk, endring eller montering enn det som er angitt i denne bruksanvisningen.

1.4 Levetid

Produktets forventede levetid er fem år ved daglig bruk, gitt at produktet brukes i samsvar med sikkerhetsinstrukser, vedlikeholdsintervaller og informasjon om riktig bruk som er lagt frem i denne håndboken. Den faktiske levetiden varierer etter brukens hyppighet og intensitet.

1.5 Garantiopplysninger

Vi tilbyr en produsentgaranti for produktet i samsvar med våre generelle forretningsvilkår i det aktuelle landet.

Garantikrav kan bare rettes gjennom den aktuelle leverandøren av produktet.

1.6 Ansvarsbegrensning

Invacare erkjenner ikke ansvar for skade som skyldes:

- Manglende overholdelse av instruksjonene i bruksanvisningen
- Feil bruk
- Naturlig slitasje
- Feilmontering utført av kjøperen eller en tredjepart
- Tekniske endringer
- Endringer som ikke er godkjent, og/eller bruk av uegnede reservedeler

1.7 Samsvar med forskrifter og standarder

Dette produktet er CE-merket, i samsvar med direktivet om medisinsk utstyr 2017/745 klasse 1. Lanseringsdatoen for dette produktet står oppgitt i CE-konformitetserklæringen.

2 Sikkerhet

2.1 Generell sikkerhetsinformasjon



ADVARSEL!

Kun kompatibel med Invacare® Nordbed Optimo og Ultra-senger

Denne Soft Tilt versjonen er spesialdesignet og må bare brukes i forbindelse med Invacare® Nordbed Optimo og Ultra-senger med bredde på 90 cm.



ADVARSEL!

Risiko for å falle

Hvis Soft Tilt brukes uten eller med feil sengegrind, foreligger en risiko for at sluttbrukeren faller ut av sengen.

- Bruk aldri Soft Tilt på en seng uten grind.
- Bruk bare Soft Tilt i kombinasjon med Invacare sengegrind som er oppgitt i 9 Tekniske Data, side 113.
- Pass alltid på at sengegrinden er på motsatt side av der helsepersonell står ELLER personell kan stå på hver side av sengen når manuell modus brukes.
- Sjekk alltid at begge sengegrinder er oppe når automatisk modus er aktivert.



ADVARSEL!

Risiko for klemming og/eller kvelning

Hvis sidegrindene brukes uten trekk eller med trekk som ikke puster, foreligger risiko for klemming og/eller kvelning for sluttbrukeren.

- Bruk alltid trekk som puster til sengegrinden når du bruker Soft Tilt.



ADVARSEL!

Risiko for å falle og/eller klemming

- Utfør alltid en risikoevaluering av sluttbrukerens tilstand og bevegelighet.
- Bruk aldri Soft Tilt hvis sluttbrukeren er engstelig eller rastløs.
- Sjekk alltid at sluttbrukeren ligger midt på sengen og at alle kroppsdeler er på madrassen før vingene flyttes.
- La aldri sluttbrukeren ligge uten tilsyn når manuell modus brukes.
- Sluttbrukeren må aldri gå inn eller ut av sengen når vingene er flyttet manuelt eller automatisk modus er aktivert.
- Håndkontrollen må alltid brukes av omsorgsgiveren.



ADVARSEL!

Skaderisiko for personer eller materiell

Feil håndtering av kabler kan føre til elektrisk støt og produktsvikt.

- Ikke knekk, kutt eller skad hovedstrømledningen på noen annen måte.
- Pass på at hjulene ikke ruller over strømledningen.
- Unngå at strømledningen kommer mellom bevegelige deler.
- Ta støpselet ut av stikkontakten før sengen flyttes.
- Sørg for at ingen kabler (nettkabler eller kabler fra annet utstyr) kommer i klem eller blir skadet når sengen er i bruk.
- Oppbevar alle sengekomponenter og ekstrautstyr i minst 30 cm avstand fra varme overflater og ikke i direkte sollys.

Madrasser



ADVARSEL!

Sikkerhetsaspekter ved kombinerings av sengegrinder og madrasser:

For å oppnå så høy sikkerhet som mulig er det viktig å overholde minimums- og maksimumsmålene for madrasser når det brukes sengegrinder i sengen.

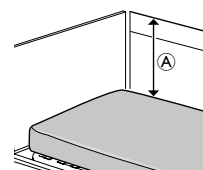
- For riktige madrassmål, se madrassstabeller i kapittel 9 Tekniske Data, side 113.



ADVARSEL!

Klem- og kvelningsfare

- Sluttbrukeren kan sette seg fast og/eller kveles hvis det horisontale området mellom siden av madrassen og innsiden av sengegrinden er for stort. Overhold minimumsbredden (og lengden) for madrasser i kombinasjoner med sengegrinder som er angitt i madrassstabellen i kapittel 9 Tekniske Data, side 113.
- Vær oppmerksom på at svært tykke eller myke madrasser (med lav tetthet) eller en kombinasjon av slike, øker faren.



ADVARSEL!

Risiko for å falle

Sluttbrukeren kan falle over kanten og skades alvorlig hvis den vertikale avstanden [Ⓐ] mellom toppen av madrassen og kanten av sengegrinden endegavlens er for liten. Se bildet ovenfor.

- Sørg alltid for en minimumsavstand [Ⓐ] på 22 cm på siden av vingen som brukeren ligger på (sekundær vinge hevet til maks. 12 °).
- Overhold maksimumshøyden for madrasser kombinasjon med sengegrinder som er angitt i madrassstabellen i kapittel 9 Tekniske Data, side 113.

Elektromagnetiske forstyrrelser



ADVARSEL!

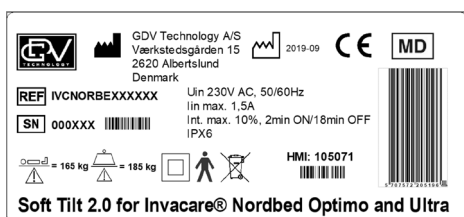
Risiko for funksjonssvikt på grunn av elektromagnetisk forstyrrelse

Elektromagnetisk forstyrrelse mellom dette produktet og annet elektrisk utstyr kan oppstå og forstyrre de elektriske justeringsfunksjonene for dette produktet. For å forhindre, redusere eller eliminere slik elektromagnetisk forstyrrelse:

- Bruk bare originalkabler, -tilbehør og reservedeler for at elektromagnetisk utslipp ikke skal økes eller redusere dette produktets elektromagnetiske immunitet.
- Ikke bruk bærbart, radiofrekvent (RF) kommunikasjonsutstyr nærmere enn 30 cm fra noen del av dette produktet (inkludert kabler).
- Ikke bruk dette produktet i nærheten av høyfrekvent kirurgisk utstyr og RF-skjerm rom i et system for magnetisk resonansavbildning der det er høy intensitet i elektromagnetiske forstyrrelser.
- Hvis det skjer forstyrrelser, øk avstanden mellom dette produktet og annet utstyr eller slå det av.
- Se den detaljerte informasjonen og følg veiledningen i kapittel 10 *Elektromagnetisk kompatibilitet*, side 115.

2.2 Merking og symboler på produktet

2.2.1 Produktetikett



Produktetiketten sitter på hovedmodulen til Soft Tilt og inneholder den viktigste informasjonen om produktet, inkludert tekniske data.

Symboler

	Serienummer
	Referansenummer
	Produsentens adresse
	Produksjonsdato
	Maks. brukervekt
	Maks. tillatt arbeidsbelastning
	Type B-kontakt del
	WEEE-samsvar
	Samsvar med EU-forskrifter
	Medisinsk utstyr
	Isolasjonsklasse 2
	Resirkulerbart batteri

Forkortelser for tekniske data:

- lin = inngangsstrøm
- Uin = inngangsspening
- Int. = intermittens
- AC = vekselstrøm
- Max = maksimum
- min = minutter

For mer informasjon om tekniske data, se 9 *Tekniske Data*, side 113.

2.2.2 Andre etiketter og symboler

	Les brukerveiledningen nøye før du bruker dette produktet og følg alle anvisninger for sikkerhet og bruk.
	Angir korrekt plassering og orientering for Soft Tilt®-hovedmodulen på sengen. Se 3.3 <i>Montere Soft Tilt (Montere hovedmodulen)</i> , side 99.
	Angir korrekt plassering av hodearmen og fotarmen på hovedmodulen. Se 3.3 <i>Montere Soft Tilt (Montere armer og trekk)</i> , side 101.
	Angir korrekt plassering av trekket på Soft Tilt®. Se 3.3 <i>Montere Soft Tilt (Montere armer og trekk)</i> , side 101.

3 Montering

3.1 Generell sikkerhetsinformasjon

Sjekk emballasjen i det du mottar produktet. Hvis emballasjen viser tegn på skade ved levering, kontakter du firmaet som er ansvarlig for forsendelsen.



ADVARSEL!

Skaderisiko for personer eller materiell

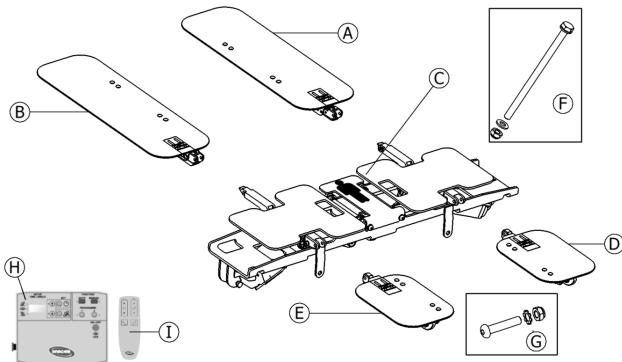
Monteringen og installasjonen må utføres av autorisert eller opplært personell.

- Denne Soft Tilt-versjonen er spesialdesignet og må bare brukes i forbindelse med Invacare® Nordbed Optimo og Ultra-senger med bredde på 90 cm.
- Følg anvisningene nøye. Hvis du har spørsmål om monteringen, ta kontakt med din lokale forhandler eller representant for Invacare.
- Ikke bruk produktet hvis det viser tegn til skade. Ta kontakt med den lokale forhandleren eller representant for Invacare.
- Produktets elektriske utstyr må ikke demonteres eller kombineres med annet elektrisk utstyr.
- Etter hver montering må du kontrollere at alle beslag og fester er godt festet, og at alle delene fungerer slik de skal.

3.2 Levert produkt

Soft Tilt leveres delvis montert i en pappeske.

Hoveddeler



- Ⓐ Armen på venstre vinge ved hodeenden
 - Ⓑ Armen på høyre vinge ved hodeenden
 - Ⓒ Hovedmodul (forhåndsmontert enhet)
 - Ⓓ Armen på venstre vinge ved fotenden
 - Ⓔ Armen på høyre vinge ved fotenden
 - Ⓕ 2 sett: Låsebolt, stoppskive og sikringsmutter
 - Ⓖ 4 sett: Unbrakoskrue, stoppskive og sikringsmutter
 - Ⓗ Kontrollboks
 - Ⓘ Håndkontroll
- Tekstiltrekk (vises ikke på bildet)

3.3 Montere Soft Tilt

Montere hovedmodulen



FORSIKTIG!

Risiko for skade på utstyr eller personer

Dersom det holdes i feil deler av hovedmodulen når den løftes, kan det forårsake skade på produktet eller personer.

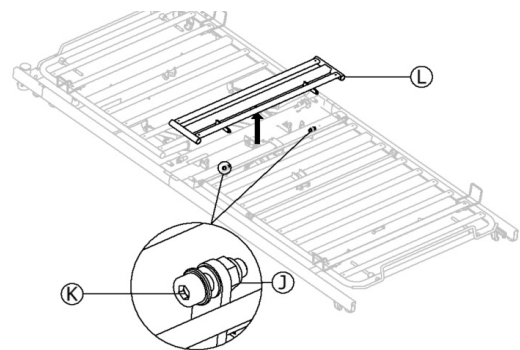
- Man må bare holde i vingenes dekselplater eller festebrakettene på understellet når man skal håndtere hovedmodulen, der «lift here»-klistremerkene er påsatt.
- Ikke hold i den midtre dekselplaten.



ADVARSEL!

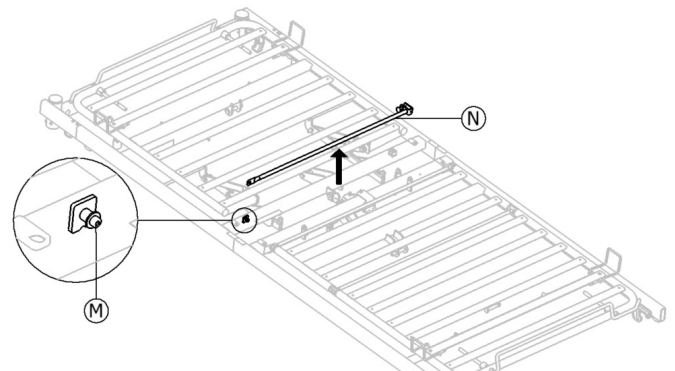
Sørg for at sengen er korrekt tilkoblet i midten og utjevnet (180°).

1.
 - a.



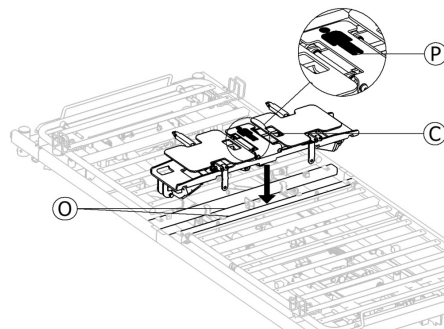
På hver side av sengen fjerner du mutteren Ⓧ og boltene Ⓨ med en 13 mm-nøkkel og 6 mm unbrakonøkkel, for å fjerne srossene Ⓧ fra sengen og holde alle deler tilgjengelig for ny montering når Soft Tilt fjernes fra sengen igjen.

1.
 - b.



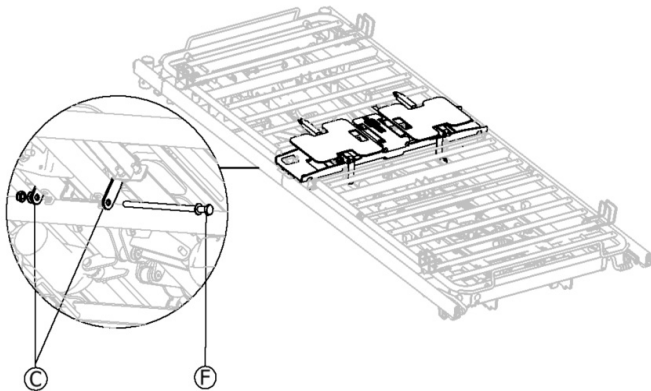
Fjern boltene Ⓧ og mutteren med en 3 mm unbrakonøkkel og en 7 mm-nøkkel, for å fjerne stangen Ⓧ fra sengen, og holde alle deler tilgjengelig for ny montering når Soft Tilt fjernes fra sengen igjen.

- 2.



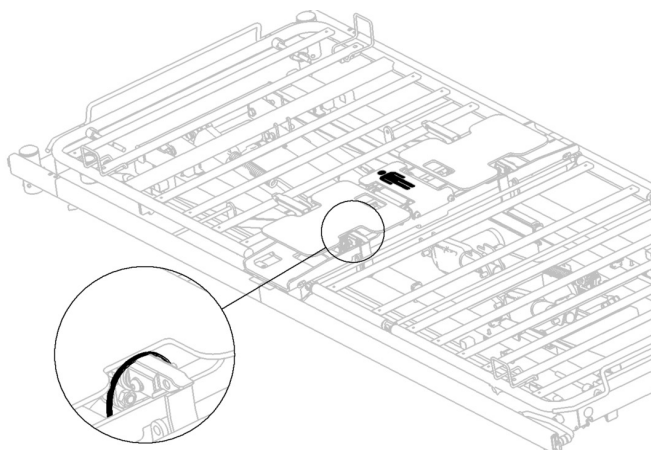
Plasser hovedmodulen ③ oppå tverrstengene ②, følge symbolet som er vist i det innzoomede bildet ④. Hodet skal vende mot hodeenden av sengen og føttene mot fotenden.

3.



Fest hovedmodulen på tverrstengene til madrassens støtteramme ved å plassere låsebolten ⑤ gjennom braketten på hovedmodulen ③, stoppskive og mutter, nedenfra på begge sider av sengen.

4.



Klipp alle stripsene for å frigjøre vingene før du starter motorene. Sørg for at nye strips blir plassert på samme sted når hovedmodulen skal fjernes fra sengen.

Kabling

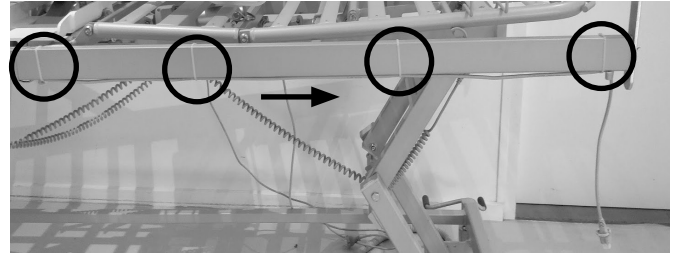
Kontrollboksen og håndkontrollen skal henges opp ved fotbrettet.



Tilkoblinger på kontrollboksen

- ① Strømforsyning
- ② Håndkontroll
- ③ Høyre motor
- ④ Venstre motor

1.



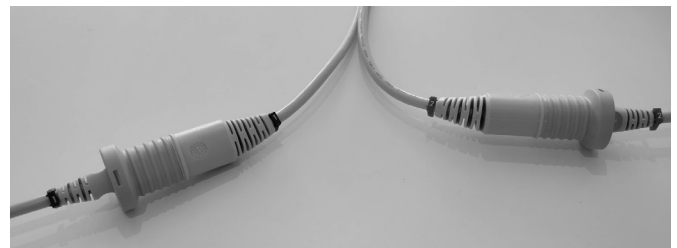
Legg motorkabelen under sengens ramme mot fotenden (indikert med pilen på bildet), på begge sider av sengen og fest hver av kablene med strips på rammens rør. Sørg for at begge motorkablene er strammet med strips (markert med sirkler i bildet), den første stripsen nær motoren og de siste 3 på rammens rør mot fotenden. Forsikre deg om at endene på stripsene ikke vender utover fra sengens ramme.

2.



Koble håndkontrollen til kabelen ⑥ og koble strømkabelen ⑤ til strømnettet. Håndkontrollkabelen er markert ③ på kabelklemmen som tilsvarer ③ på kontrollboks-kabelen.

3.



Koble kablene til høyre og venstre motor til de to forlengelseskablene ⑤ og ⑥ fra kontrollboksen. Høyremotorens kabel er markert ① på kabelklemmen som tilsvarer ① på kabelen fra kontrollboksen, og venstremotorens kabel er markert ② på kabelklemmen som tilsvarer ② på kontrollboks-kabelen. Deaktiver nødstoppen, slå på systemet, aktiver manuell modus og bruk håndkontrollen for å kontrollere at venstre og høyre motor er korrekt koblet til kontrollboksen (se kapittel *Bruk* for detaljerte anvisninger).

- ⓘ Forsikre deg om at alle kablene går under rørene på sengens ramme og kjør sengen helt opp og ned slik at du er sikker på at ingen kabler kommer i klem.

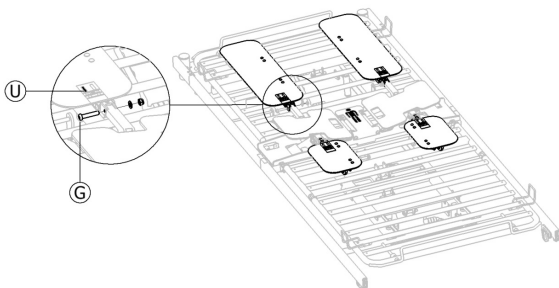
4.



Samle motorkablene i en bunt og stram dem med en strips, juster sengen opp og ned for å forsikre deg om at bunten ikke sitter fast i noen av delene på sengen, men kan beveges fritt.

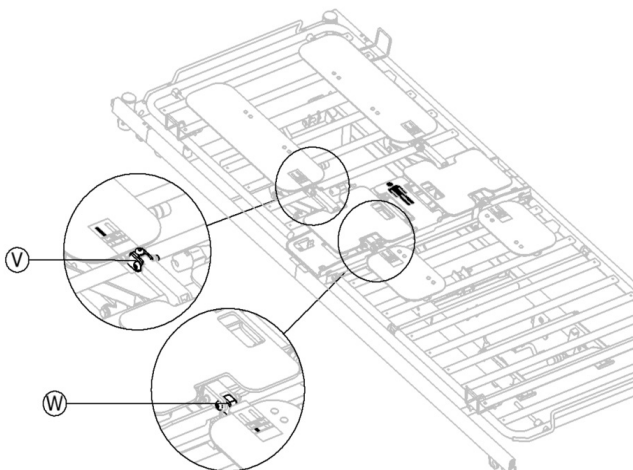
Montere armer og trekk

1. Sjekk at begge vinger av hovedmodulen er lett hevet, slik at koblingene for armene er tilgjengelige.
- 2.



Koble de fire armene til hovedmodulen, følg tegningen på etiketten på armene som vist i det innzoomede bildet ①, området på etiketten som er skravert i svart, viser stedet der armen skal plasseres. Fest de fire armene med unbrakoskruene fra sett ② og stram til sikringsmutterne vendt innover. Se til at sikringsskivene er plassert på sikringsmutterens side.

3.

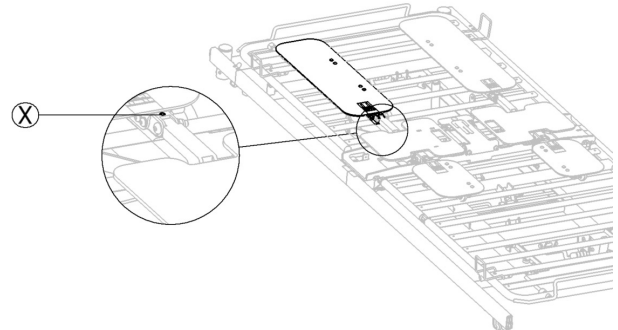


Se til at hodearmene er festet på teleskopbraketten ⑤ i det første gjengede hullet og at man ikke kan se de gjenværende gjengede hullene. For fotarmene må du forsikre deg om at teleskopbraketten ⑥ er festet i det første gjengede hullet og at man ikke kan se de gjenværende gjengede hullene.

4.

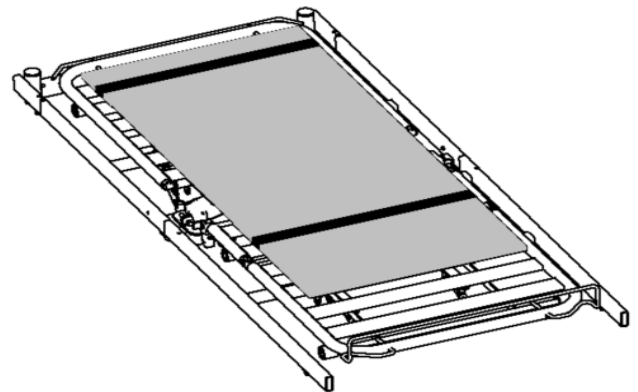
VIKTIG!

! Før bruk justerer du posisjonen til de fire armene, for optimal løftestøtte. Husk å ta hensyn til pasientens vekt. Sørg for at de fire armene fortsatt går i en vannrett stilling i flat modus.



For å justere posisjonen til armene justerer du bolten ⑩ helt til armene er i en vannrett stilling.

5.



Monter trekket ved å skyve lommene over armene i hodeenden og fotenden. Hodeenden på trekket har en etikett med informasjon og symbol for plassering av trekket:



Symbol som viser hodeenden på trekket.

VIKTIG!

! Soft Tilt må ikke brukes uten trekk.

6. Plasser madrassen på Soft Tilt, og fest den.
 - a. Løsne borrelåsfestet på begge stropper på siden av trekket, og legg stroppene til side.
 - b. Plasser madrassen på sengen oppå Soft Tilt (9 Tekniske Data, side 113 gir informasjon om hvilke madrasser som kan brukes sammen med Soft Tilt).
 - c. Før stroppene over madrassen og fest borrelåsen på nytt for å feste madrassen godt til Soft Tilt.

4 Bruk

4.1 Generell sikkerhetsinformasjon



ADVARSEL!

Skaderisiko for personer og materiell.

- Sengen må plasseres slik at høydejusteringen ikke hindres av for eksempel personløftere eller møbler.
- Sørg for at ingen kroppsdeler kommer i klem mellom faste deler (for eksempel sengegrunder, sengegavler osv.) og bevegelige deler.
- Barn skal ikke bruke håndkontrollen.
- Håndkontrollen må alltid brukes av omsorgsgiveren.



VIKTIG!

- Hvis det oppstår strømbrudd, sikrer batteriet muligheten for å nullstille Soft Tilt med "ON/OFF" funksjonen.
- Sjekk at batteriet er fullt oppladet før du bruker Soft Tilt.
 - se *Batteri* i avsnittet *Vedlikehold* for mer informasjon.

4.2 Oversikt

Soft Tilt kan betjenes enten i manuell eller automatisk modus.

Sengens normale funksjoner kan aktiveres i begge moduser.



Det anbefales at hodedelen er noe hevet ved bruk av Soft Tilt, for å gi sluttbrukeren en behageligere stilling.

Manuell modus

Manuell modus er designet til å støtte helsepersonell i å snu sluttbrukeren fra side til side i sengen.

Vingene kan heves og senkes med håndkontrollen (se avsnitt *Manuell Betjening*).

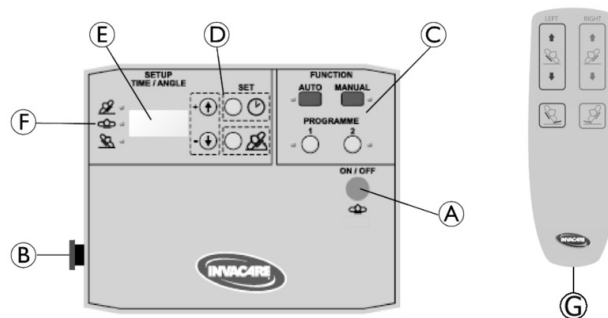
Automatisk modus

Automatisk modus er designet for å gi sluttbrukere sluttreduksjon.

I AUTO-programmet flyttes vingene automatisk etter forhåndsdefinerte parametere for klokkeslett og vinkel (se avsnittet *Autom. programmeringssekvens*).

I Program 1 og 2 flyttes vingene automatisk etter forhåndsdefinerte parametere for klokkeslett og vinkel (se kapittelet *Programmering*).

4.3 Kontrollboks og håndkontroll



- Ⓐ på/av- og Nullstillingsfunksjon-knappen
- Ⓑ Nødstoppknappen
- Ⓒ Funksjonsknapper for å velge driftsmodus.
- Ⓓ Oppsettknapper for å stille inn parametere for program 1 og 2
- Ⓔ Display
- Ⓕ Pos.-ind.
- Ⓖ Håndkontroll

4.4 På/Av og nullstillingsfunksjon

Slå på systemet

1. Trykk og hold A-knappen inne i tre sekunder for å slå på systemet.

Nullstillingsfunksjon

Nullstillingsfunksjonen overstyrer alle kommandoer og flytter begge vinger i horisontal posisjon.

1. For å aktivere Nullstillingsfunksjonen, trykk på Ⓐ-knappen (uten å holde inne).

Slå av systemet

1. Trykk på Ⓐ-knappen for å nullstille systemet og hvis aktuelt, vent til begge vinger har flyttet i horisontal posisjon.
2. Trykk og hold Ⓐ-knappen inne i tre sekunder for å slå av systemet.

Visning

Systemstatus	Visning	OBS
AV		Tomt display
PÅ	Programvarversjon (3-sifret tall)	Vises i 2 sek. etter at systemet er slått på. (byter til passiv modus hvis ingen funksjon er valgt).
PÅ	---	Passiv modus (ingen funksjon er valgt)
Tilbakestille	AV	Vises etter at funksjonen nullstilling er aktivert. Deretter går systemet over til passiv modus.

4.5 Nødstop

VIKTIG!

Når nødstoppen er aktivert, kan Nullstillingsfunksjonen fortsatt aktiveres ved å trykke på Ⓐ-knappen for å senke vingene til horisontal posisjon om nødvendig.

Når nødstoppen aktiveres, avbrytes alle kontroller og bevegelser umiddelbart (vinger holder seg i nåværende posisjon).

1. Trykk på Ⓑ-knappen for å aktivere.
2. Roter Ⓑ-knappen med klokken for å deaktivere.
3. Trykk på Ⓐ-knappen for å nullstille systemet.

4.6 Manuell betjening



ADVARSEL!

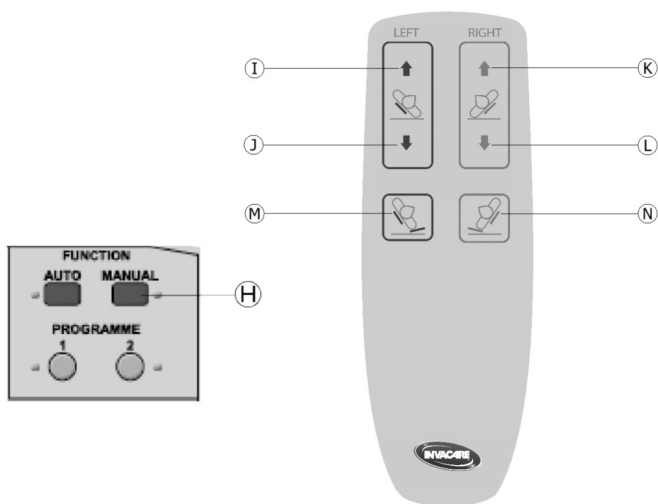
Risiko for klemming og skade

Hvis begge vinger heves samtidig til vinkler på mer enn 12°, er det risiko for at pasienten kommer i klem.

- Dette alternativet må brukes bare av opplært personell.



Første gang MANUELL aktiveres etter at systemet er slått på, vil det nullstille seg selv før funksjonen kan brukes.



1. Trykk og hold Ⓜ-knappen i 3 sek. for å aktivere manuell betjening.
2. Trykk på knappene på håndkontrollen etter ønske.
 - Trykk på Ⓚ for å heve venstre vinge
 - Trykk på Ⓛ for å senke venstre vinge
 - Trykk på Ⓚ for å heve høyre vinge
 - Trykk på Ⓛ for å senke høyre vinge
 - For å heve høyre vinge fra 0° til 80° og venstre vinge fra 0° til 5°, trykker du på Ⓜ
 - For å heve venstre vinge fra 0° til 80° og høyre vinge fra 0° til 5°, trykker du på Ⓜ



- Venstre og høyre knapper kan aktiveres samtidig for å flytte begge vinger samtidig.
- Vingene kan flyttes i et område fra 0° til 80°.

3. For å deaktivere manuell betjening, trykk på knappen ON/OFF Ⓐ.

Statusindikatorer

Display	LED	Merknad
0 = ingen aktivitet U01 = høyre vinge går opp d01 = høyre vinge går ned U01 = venstre vinge går opp d01 = venstre vinge går ned	MANUELL-LED aktiv	Tallene på displayet angir vinkelen som vingen er plassert i, mens bokstavene angir bevegelsens retning: - U = bevegelse oppover. - d = bevegelse nedover. - 01 = 1°

4.6.1 Anbefalte prosedyrer

Overfør fra flat posisjon til siden:



Trykk på enten Ⓜ eller Ⓜ avhengig av hvilken side pasienten skal heves til.

Snu fra den ene siden til den andre:



1. Hvis venstre side er hevet, trykker du på knappen Ⓜ og holder den inne for å gå fra venstre til høyre side. Slipp knappen når den ønskede høyden er nådd.
2. Hvis høyre side er hevet, trykker du på knappen Ⓜ og holder den inne for å gå fra høyre til venstre side. Slipp knappen når den ønskede høyden er nådd.

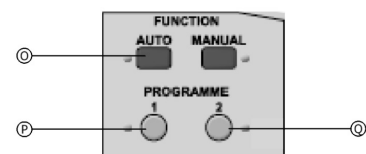
4.7 Automatisk betjening

AUTO-programmet er forhåndsdefinert og kan ikke endres.

Program 1 og 2 kan defineres individuelt av helsepersonell (se kapittelet *Programmering*). Programmene er tomme ved levering og må defineres før bruk.




- Hvis ett av programmene er aktivert, nullstiller systemet til FLAT posisjon før det valgte programmet startes.
- Hvis et nytt program velges når et annet program er aktivt, nullstiller systemet til FLAT posisjon før det nye programmet startes.



1. Trykk på programknapper etter behov.
 - Trykk og hold inne ① i 3 sek. for å starte AUTO-programmet.
 - Trykk og hold inne ② i 3 sek. for å starte Program 1.
 - Trykk og hold inne ③ i 3 sek. for å starte Program 2.

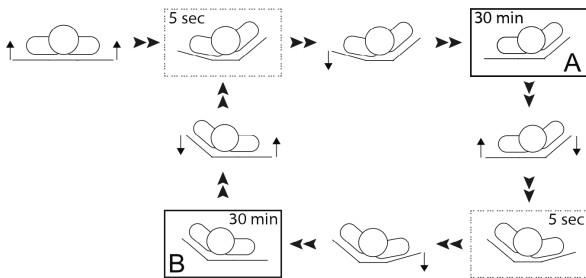
- For å avslutte et program som er i gang, trykk på PÅ/AV knappen (A).

 Håndkontrollen virker ikke når et program er aktivt.

Statusindikatorer

Aktivt program	Visning	LED	Merknad
AUTO	AU	AUTO-LED aktiv	
Program 1	P1	P1 LED aktiv	
Program 2	P2	P2 LED aktiv	
Timer	P1/XX og P2/XX		Displayet veksler mellom å vise det valgte programmet og tiden til neste posisjonsendring. -P1/01 = program 1 og 1 minutt til neste posisjonsendring. -P2/05 = program 2 og 5 minutter til neste posisjonsendring.


4.7.1 Automatisk programsekvens

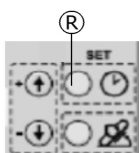


- Med utgangspunkt i flat posisjon, begynner begge vinger straks å heves samtidig.
- Den venstre vingen stopper ved 12° og den høyre vingen stopper ved 40°.
- 5 sekunder etter at høyre vinge har nådd 40°, senkes venstre vinge til 0°.
- Denne posisjonen A opprettholdes i 30 minutter.
- Samtidig begynner venstre vinge å heves og høyre vinge begynner å senkes.
- Den høyre vingen stopper ved 12° og den venstre vingen fortsetter å stige til 40°.
- 5 sekunder etter at venstre vinge har nådd 40°, senkes høyre vinge til 0°.
- Denne B-posisjonen opprettholdes i 30 minutter.

Syklusen slutter å skifte mellom posisjon A og B, til programmet avsluttes.

4.7.2 Sette automatisk drift på pause

 Det er mulig å sette automatisk drift på pause og bruke håndkontrollen som i manuell modus.




- Trykk på (R)knappen og hold den inne i 3 sek. mens et automatisk program kjører, og vingene vil gå til flat posisjon. Nå kan manuelt modus brukes.
- Et aktivert program vil før det settes på pause, fortsette etter 30 minutters inaktivitet, 10 sek. før programmet starter vil det høres et PIP. Hvis du ønsker å forlenge inaktivitetstiden, trykker du på en hvilken som helst knapp på håndkontrollen etter at du hører pipelyden.
- Hvis det automatiske programmet skal startes igjen øyeblikkelig, trykker du på (R) og holder knappen nede i 3 sek. for å aktivere.

4.8. Lade batteriet

Batteriet lades når systemet er koblet til ladestasjonen og slått på.

Ladingen av batteriet indikeres med en prikk nederst til høyre på skjermen.

Batteriet vil bruke omtrent 12 timer på å lade seg opp.

 Batteriet lades IKKE når feilen E03 eller E04 oppstår.

4.9 Nødtløsning av vingen

Dersom det oppstår strøm- eller motorstans, kan det være nødvendig med nødtløsning av vingen.



FORSIKTIG!

Fare for skade

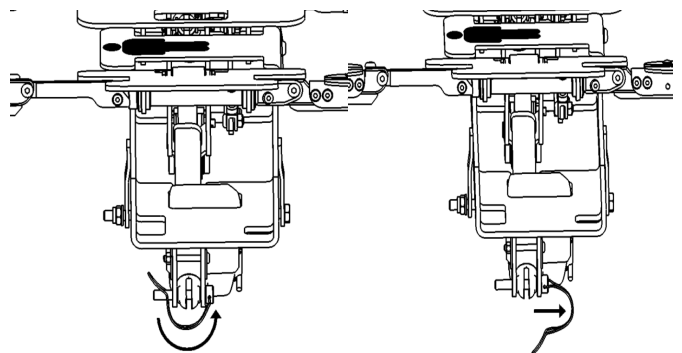
- Det er nødvendig å være minst to personer ved nødtløsning av vingen.
- Når man løser ut vingen, kan den senkes raskt. Hold området under vingen og armene klart.



VIKTIG!

- Før en nødtløsning av vingen må du ta ut støpselet fra stikkontakten.

- Begge holder i den hevede vingen.
- En av dem finner den aktuelle motorpluggen og trekker ut sikkerhetspluggen.



- Etter at pluggen er trukket ut, vil motoren komme ut av støtten og sakte senke vingen.

5 Programmering

5.1 Individuelt definerte programmer

Program 1 og 2 kan defineres individuelt av helsepersonell ved å stille inn vinklene på vingene og tidspunktene for å holde de forskjellige posisjonene.

Definere vinkler

Vinklene til venstre og høyre vinge i første sideposisjon kan defineres individuelt. Den andre (motsatte) sideposisjonen defineres automatisk som et speilbilde av første sideposisjon.

- Hvis vinkelen for én vinge er stilt til mellom 13 °–40 °,
- Motsatt vinge vil da bli definert som «sekundær vinge» og begrenser de valgbare vinkelverdiene til 0 °–12 °.
- Den «primære vingen» defineres første sideposisjon i programsekvensen.

To alternativer for vingen som sluttbrukeren ligger på (f.eks. venstre vinge hvis sluttbrukeren ligger på venstre side):

- Hvis vinkelen til den sekundære vingen er stilt til 0 °, heves den med 12 ° under svinging og flyttes til en horisontal posisjon 5 sek. etter at den primære vingen har nådd den innstilte vinkelen, så sluttbrukeren hviler på en flat, sekundær vinge.
- Hvis vinkelverdien for den sekundære vingen er stilt til mellom 1 °–12 °, holdes den oppe på den valgte vinkelen i sideposisjon og sluttbrukeren hviler på en hevet sekundær vinge.



FORSIKTIG!

Risiko for å falle

Hvis den sekundære vingen holdes oppe når sluttbrukeren hviler i sideleie, reduseres avstanden til toppen av sengegrinden.

- Bruk bare sengegrinden oppgitt for denne situasjonen i *9 Tekniske Data, side 113*.

Definere klokken:

Tidspunktene for de to sideposisjonene og den flate posisjonen kan defineres individuelt mellom 000 og 180 minutter.



Det er mulig å velge om flat posisjon, venstre eller høyre side skal starte med det samme.

Hvis klokkeslett for én sideposisjon er stilt til 000 minutter:

- Programmet begynner å gå over fra flat posisjon til første posisjon etter den spesifiserte tidsperioden.
- Programmet går bare mellom den flate og den andre sideposisjonen (f.eks. flat-høyre-flat-høyre-...)

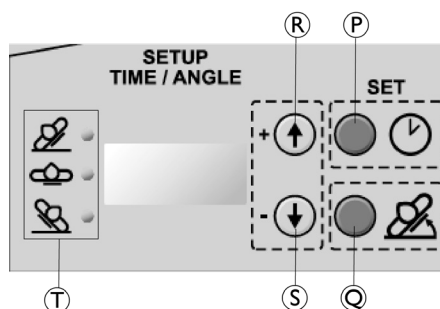
Hvis klokkeslettet for den flate sideposisjonen er stilt til 000 minutter:

- starter programmet umiddelbart etter aktivering med overgangen til den første sideposisjonen,
- programmet går bare mellom 2-sideposisjonen (f.eks. venstre-høyre-venstre-høyre-...)

Hvis klokkeslettet for den flate posisjonen er stilt til mellom 3–180 minutter:

- Programmet begynner å gå over fra flat posisjon til første posisjon etter den spesifiserte tidsperioden.
- går programmet alltid til en flat posisjon mellom de to sideposisjonene (f.eks. flat-høyre-flat-venstre-flat-høyre-...)








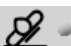















5.2 Hvordan programmere de individuelle, automatiserte



- Ⓟ Still inn klokkeslett / start programmeringsmodus-knapp
- Ⓠ Angi vinkel-knapp
- Ⓡ Justeringsknapp Pluss (øker verdiene for klokkeslett og vinkel)
- Ⓢ Justeringsknapp Minus (reduserer verdiene for klokkeslett og vinkel)
- Ⓣ Posisjonsindikatorer (LED-lys) Høyre (topp) = høyre vinge eller posisjon
 - Høyre (topp) = høyre vinge eller posisjon
 - Flat (midten) = begge vinger i horisontal posisjon
 - Venstre (bunn) = venstre vinge eller posisjon

Når man programmerer Soft Tilt, angir man først tidsperioden for når vingene skal være i hevet eller flat posisjon, deretter angis vinklene de skal heves til, og til slutt vingenes startside (høyre, venstre eller flatt). Dette gjøres for enten Program 1 eller Program 2.

Pkt.	Funksjon	Visning	LED	OBS	
1	Trykk og hold i 3 sek.		VLG	ingen	Start programmeringsmodus
2	Trykk		P1	P1	Velg programmet som skal stilles
	eller		P2	P2	
3	Trykk		010	P1 eller P2 og Riktig	Tidsverdien vises på displayet
4	Trykk	 	001 020	P1 eller P2 og Riktig	Juster tiden mellom 000 og 180 minutter (0, 3, 10-180 i intervaller på +/- 10 min.)
5	Trykk		010	P1 eller P2 og Flat	Tidsverdien vises på displayet
6	Trykk	 	001 020	P1 eller P2 og Flat	Juster tiden mellom 000 og 180 minutter (0, 3, 10-180 i intervaller på +/- 10 min.)

Pkt.	Funksjon	Visning	LED	OBS
7	Trykk 	010	P1 eller P2 og Venstre 	Tidsverdien vises på displayet
8	Trykk  	001 020	P1 eller P2 og Venstre 	Juster tiden mellom 000 og 180 minutter (0, 3, 10-180 i intervaller på +/- 10 min.)
9	Trykk 	A	Ingen	enkel *PIP* = Nå er klokkeslettet stilt.
10	Trykk 	015	P1 eller P2 og Riktig 	Vinkelverdien vises på displayet
11	Trykk  	014 016	P1 eller P2 og Riktig 	Juster vinkelen mellom 00 og 30 grader (intervall på +/- 1 grad)
12	Trykk 	010	P1 eller P2 og Venstre 	Vinkelverdien vises på displayet
13	Trykk  	009 011	P1 eller P2 og Venstre 	Juster vinkelen mellom 00 og 30 grader (intervall på +/- 1 grad)
14	Trykk 	—	Ingen	dobbel *PIP* =Vinkelen er nå stilt
15	Trykk  	SEL	Riktig  Flat  Venstre 	Juster hvilken side Soft Tilt skal starte på, HØYRE, FLATT eller VENSTRE
16	Trykk 	-	Ingen	tre *PIP* = Start siden er blitt valgt og hele programmet er lagret.



- Programmeringsmodusen lukkes automatisk uten lagring hvis ingen knapper trykkes i 2 min.

5.3 Progameksempler for automatisert trykkavlastning

- Sluttbruker snur fra høyre side til flat til venstre side og ligger alltid på en flat vinge.

- Vinkel primær vinge = 13 °-40 °
- Vinkel sekundær vinge = 0 °
- Tid for høyre, flat og venstre posisjon > 0 min.

- Sluttbruker snur fra høyre side til flat til venstre side og ligger alltid på en lett hevet vinge.

- Vinkel primær vinge = 13 °-40 °
- Vinkel sekundær vinge = 1 ° - 12 °
- Tid for høyre, flat og venstre posisjon > 0 min.

Dette programmet krever «høye» sengegrinder

- Sluttbruker snur fra høyre side til venstre side og ligger aldri i flat posisjon og ligger alltid på en flat vinge.

- Vinkel primær vinge = 13 °-40 °
- Vinkel sekundær vinge = 0 °
- Tid i flat posisjon > 0 min.
- Tid venstre og høyre posisjon > 0 min.
- se avsnittet Autom. programmeringssekvens som et eksempel.

- Sluttbruker snur fra høyre side til venstre side og ligger aldri i flat posisjon og ligger alltid på en lett hevet vinge (vuggefunksjon).

- Vinkel primær vinge = 13 °-40 °
- Vinkel sekundær vinge = 1 ° - 12 °
- Tid i flat posisjon > 0 min.
- Tid venstre og høyre posisjon > 0 min.

Dette programmet krever «høye» sengegrinder

- Sluttbruker snur fra den ene siden til flat og tilbake til samme side og ligger alltid på en flat vinge.

- Vinkel primær vinge = 13 °-40 °
- Vinkel sekundær vinge = 0 °
- Tid i flat posisjon > 0 min.
- Tid i venstre eller høyre sideposisjon = 0 min

- Sluttbruker snur fra den ene siden til flat og tilbake til samme side og ligger alltid på en lett hevet vinge.

- Vinkel primær vinge = 13 °-40 °
- Vinkel sekundær vinge = 1 ° - 12 °
- Tid i flat posisjon > 0 min.
- Tid i venstre eller høyre sideposisjon = 0 min

Dette programmet krever «høye» sengegrinder

- Begge vinger hevet til like vinkler uten omplassering (klem bakover).

- Vinkel primær og sekundær vinge = 10 °-12 °
- Tid i flat posisjon > 0 min.
- Tid i venstre og høyre posisjon > 0 min. (innstilte verdier ikke relevante, se under)



Ingen automatisk reposisjonering vil skje når begge vinger er stilt til samme vinkel. Derfor har ikke tidene stilt inn for venstre eller høyre sideposisjon noen effekt.

6 Vedlikehold

6.1 Generell vedlikeholdsinformasjon



VIKTIG!

Service og vedlikehold på Soft Tilt må utføres samtidig som sengen.

- For detaljert informasjon om vedlikeholdsprosedyrer og sjekklister, se *brukerveiledningen og/eller driftsveiledningen* for sengen som brukes.

6.2 Rengjøring og desinfisering



FORSIKTIG!

Fare for kontaminering

- Ta forholdsregler og bruk egnet verneutstyr.



VIKTIG!

Feil væsker eller metoder kan skade eller ødelegge produktet.

- Alle rengjøringsmidler og desinfeksjonsmidler som brukes, må være virkningsfulle, kompatible med hverandre og må beskytte materialene som skal rengjøres.
- Bruk aldri etsende væsker (alkaliner, syre, cellulosefortynnere, aceton osv.). Vi anbefaler vanlig rengjøringsmidler til bruk i husholdningen, slik som oppvaskmiddel, med mindre noe annet er spesifisert i rengjøringsanvisningene.
- Bruk aldri et løsemiddel som endrer strukturen i plasten eller som løser opp de påsatte etikettene.
- Forsikre deg alltid om at produktet er fullstendig tørt før du tar det i bruk igjen.

Elektriske deler



VIKTIG!

IP-klassifiseringen avgjør om elektriske komponenter kan vaskes.

Elektronikk klassifisert som IPx6 kan IKKE vaskes med strålebasert rengjøringsutstyr eller i en vasketunnel.

Elektronikk klassifisert som IP66 kan vaskes med strålebasert rengjøringsutstyr, men IKKE i en vasketunnel

- IP-klassifiseringen er angitt på etikettene med serienummer på elektriske komponenter.
- Vær oppmerksom på at ulike komponenter kan ha ulik klassifisering.
- Den laveste IP-klassifiseringen avgjør den samlede klassifiseringen for kombinasjonen av komponenter.

Tekstiler

Du finner detaljerte vaskeanvisninger på etiketten som er festet på tekstiltrekket.

Se til at skumstøtten fra fotenden på trekket er tatt ut før du legger trekket i en vaskemaskin.

Generell rengjøringsmetode

Metode: Tørk av med en våt klut eller myk børste.

Maks. temp: 40 °C

Løsemiddel/kjemikalier: Mildt husholdningsrengjøringsmiddel eller såpe og vann.



VIKTIG!

Se anvisningene i brukerveiledningen for detaljert informasjon om rengjøringsmetoder.

Rengjøringsintervaller



VIKTIG!


Regelmessig rengjøring og desinfisering gir jevnere drift, øker levetiden og forhindrer kontaminasjon.

Rengjør og desinfiser produktet

- før og etter all slags service og vedlikehold,
- når det har vært i kontakt med kroppsvæsker,
- før det skal brukes av en ny bruker.

6.3 Batteri

Vi anbefaler at du sjekker batteriet hver 6. måned:

1. Løft begge vinger og trekk kut strømkabelen.
2. Trykk PÅ/AV-knappen  og sjekk at begge vinger flytter inn i horisontal posisjon.

Vi anbefaler at batteriet byttes ut etter 4 år - Ring forhandler/tekniker for å skifte batteri.

Oppbevaring



VIKTIG

Før Soft Tilt settes til oppbevaring, sjekk at systemet er slått helt av og at nødstopp-knappen trykkes for å forhindre at batteriet lades ut.

7 Etter bruk

7.1 Kasting

**ADVARSEL!****Fare for miljøet**

Apparatet inneholder batterier.

Dette produktet kan inneholder stoffer som kan være skadelige for miljøet dersom de kastes på fyllinger som i henhold til forskrifter ikke egner seg for slike stoffer.

- IKKE kast batterier sammen med vanlig husholdningsavfall.
- Batterier **MÅ** sendes til et egnet sorteringssted. Retur er lovpålagt og skjer kostnadsfritt.
- Du må kun kaste batterier som er utladet.
- For informasjon om batteritypen se etiketten eller kapittel 9 *Tekniske data, side 113*.

Ta ansvar for miljøet og send dette produktet til gjenvinning på en lokal resirkuleringsstasjon når det har nådd enden av sin levetid.

Demonter produktet og komponentene slik at forskjellige materialer kan skilles og resirkuleres for seg.

Kasting og resirkulering av brukte produkter og emballasje må skje i samsvar med lokale lover og forskrifter for avfallshåndtering. Kontakt ditt lokale renovasjonsselskap for mer informasjon.

Vi bruker kun materialer og komponenter som oppfyller REACH-forskriften.

- Alle elektriske deler må demonteres og kastes som elektriske komponenter.
- Plastdeler må sendes til brenning eller resirkulering.
- Deler av stål må kastes som metallavfall.

7.2 Sette i stand igjen

Dette produktet kan brukes om igjen. For å sette produktet tilbake i opprinnelig stand for en ny bruker kan du utføre følgende handlinger:

- Inspisere, rengjøre og desinfisere som beskrevet i kapittel 6 *Vedlikehold, side 109*.

8 Feilsøking

8.1 Feilsøking av det elektriske systemet

Feil	Display (blinker ved intervaller på 0,5 sek mellom to koder)		Lydsignal	LED (blinker gult)	Kommentar	Løsning
Motorstopp VENSTRE Overbelastning på VENSTRE motor	E01	E0	10 pipelyder med 1 sek PÅ og 1 sek AV Når du prøver å aktivere motoren på nytt: 1 pipelyd i 1 sek	Venstre	bare i Automatisk modus (ingen displayvisning, lyd-signal eller blinkende LED i manuell modus)	Sjekk kablene til og fra motoren for følgende forhold: - Kabel ikke skadet. - Kabel koblet til motoren på riktig måte. - Kabelkontakt riktig installert og intakt.
Motorstopp HØYRE Overbelastning på HØYRE motor	E02	E0		Riktig		
Batterimodus: Strømbrudd ELLER nødstop aktivert	E03	E0	4 pipelyder med 1 sek PÅ og 1 sek AV		- 1. lydsignal når strømforsyningen frakobles ELLER nødstoppen aktiveres. Systemet går over til batterimodus og vingene slutter å bevege seg og blir værende i gjeldende posisjon. - 2. lydsignal etter 20 min. - 3. lydsignal etter 40 min. - Etter 60 min går systemet over til lavt batterinivå-feil (E04).	Koble til strømforsyningen OG / ELLER deaktiver nødstoppen for å lade og sjekke batteriet (se kapittelet <i>Vedlikehold</i> for mer informasjon).
Lavt batterinivå	E04	E0	4 pipelyder med 1 sek PÅ og 1 sek AV		- 1. lydsignal når det registreres lavt batterinivå under batterimodus. - Det avgis ytterligere lyd-signaler hvert 20. minutt helt til systemet slås av for å spare nok batteristrøm én HLR-senking.	
Systemet kan ikke slås på					Systemet kan ikke slås på selv om det er koblet til strømforsyningen.	Sjekk om nødstoppen er aktivert, og deaktiver den om nødvendig.



Trykk på PÅ/AV -knappen for å nullstille en FEIL og prøve igjen.

Ta kontakt med forhandleren eller representanten for Invacare hvis ikke dette løser problemet.

8.2 Programmeringsfeil

Feil visning for feiloppsett av verdier for Program 1 eller 2


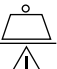
Feil	Visning	Lydsignal	Kommentar
Program 1 eller 2	E40 i 4 sek.	2 pipelyder, 5 sek. PÅ og 1 sek. AV	Skjer ved aktivering av Program 1 eller 2 med feil tidsverdier oppgitt. Følgende kombinasjon av tidsverdier for venstre, høyre og flat posisjon defineres som feil oppsett: - Alle tre tidsverdier = 0 min - Bare én tidsverdi > 0 min / to tidsverdier = 0 min

9 Tekniske Data

9.1 Egenskaper

Automatisk betjening	ja
Maks.-vinkel i manuell modus	80°
Maks.-vinkel i automatisk modus	primær vinge = 40° sekundær vinge = 12°
Vinkelverdier i automatisk modus	0°–40° (+/- 1°intervall)
Tidverdier i automatisk modus	0, 3, 10–180 min (+/- 10 min-intervaller)

9.2 Vekt

	Maks. brukervekt (forutsatt at madrassen ikke veier mer enn 20 kg)	165 kg
	Maks. sikker arbeidslastvekt (inkludert madrass)	185 kg

Vekten av Soft Tilt-komponenter

Komplett (hovedmodul og 4 armer)	31 kg
Hodearm (1 del)	3,8 kg
Fotarm (1 del)	2,6 kg
Hovedmodul	18,2 kg
Kontrollboks	2,5 kg

9.3 Tillatt madrassstørrelse

Madrasshøyde og sengegrindkompatibilitet

! **VIKTIG!**
Avhengig av om sluttbrukeren i sideposisjon ligger på en flat vinge (madrass horisontal) ELLER om vingen som sluttbrukeren ligger på er hevet til 12°, kreves forskjellige kombinasjoner av madrasser og sengegrinder (se riktig tabell under).

- Sluttbruker ligger på en flat vinge

Tillatte madrasshøyder når sluttbrukeren ligger på en flat vinge (sekundær vinge = 0°).

Sengegrind	Madrasshøyde
Ane/ Ane(83/85)	10–14 cm
Ane High / Ane High(83/85)	14–24 cm
Freya/Embla	10–13 cm
Freya/Embla med høydeforlenger påmontert*- øker høyden med 6 cm	11–19 cm
Freya/Embla med høydeforlenger påmontert*- øker høyden med 10 cm	15–23 cm

*Må demonteres når sengegrinden tas ned og sluttbrukeren er på vei ut av sengen.

- Sluttbruker ligger på en hevet vinge


Tillatte madrasshøyder når sluttbrukeren ligger på en vinge hevet opptil 12° (sekundær vinge = 1-12°).

Sengegrind	Madrasshøyde
Ane High / Ane High(83/85)	14–18 cm
Freya/Embla med høydeforlenger påmontert*- øker høyden med 6 cm	11–13 cm
Freya/Embla med høydeforlenger påmontert*- øker høyden med 10 cm	15–17 cm

*Må demonteres når sengegrinden tas ned og sluttbrukeren er på vei ut av sengen.


Madrassens bredde og lengde avhenger av sengens bredde og sidestengene

Sengegrind	Tillatt madrass bredde	Min.-lengde	Sengens bredde
Ane (83/85) / Ane High (83/85)	83–85 cm	200 cm	90 cm
Ane / Ane High / Freya / Embla / Freya/Embla med høydeforlenger - øker høyden med 6 cm Freya/Embla med høydeforlenger - øker høyden med 10 cm	88-90 cm		

 En kastellert madrass anbefales.

9.4 Miljøbetingelser

	Oppbevaring og transport	Bruk
Temperatur	-10°C til +50°C	+5°C til +40°C
Relativ luftfuktighet	20% til 75%	
Atmosfærisk trykk	800 hPa til 1060 hPa	

 Vær oppmerksom på at en seng som har vært lagret ved lave temperaturer, må akklimatiseres til gjeldende driftsforhold før bruk.

10 Elektromagnetisk kompatibilitet

10.1 Generell EMC-informasjon

Medisinsk elektrisk utstyr skal installeres og brukes i samsvar med EMC-opplysningene i denne bruksanvisningen. Dette produktet er testet og overholder EMC-begrensninger som spesifisert i IEC/EN 60601-1-2 for klasse B-utstyr.

Bærbart og mobilt RF-kommunikasjonsutstyr kan påvirke funksjonen til dette produktet.

Andre apparater kan oppleve interferens selv ved de svake nivåene av elektromagnetisk stråling som er tillatt i samsvar med standarden nevnt ovenfor. For å påvise om utslippet fra dette produktet forårsaker forstyrrelsen, kjøp og slå av produktet. Hvis forstyrrelsen ved den andre enheten opphører, er det dette produktet som forårsaker forstyrrelsen. I slike sjeldne tilfeller kan du redusere eller korrigere interferens på følgende måte:

- Snu eller flytt apparatene, eller øk avstanden mellom dem.

10.2 Elektromagnetisk utslipp

Veiledning og produsentens erklæring

Dette produktet er beregnet for bruk i et elektromagnetisk miljø som angitt nedenfor. Kunden eller brukeren av dette produktet må sikre at systemet brukes i en slik omgivelse.


Immunitetstest	Test / samsvarsnivå	Elektromagnetisk miljø - veiledning
RF-stråling CISPR 11	Gruppe I	Dette produktet bruker RF-energi bare for sin interne funksjon. RF-utstrålingen er derfor svært lav, og det er usannsynlig at den vil forårsake interferens i elektronisk utstyr i nærheten.
RF-stråling CISPR 11	Klasse B	Dette produktet er egnet til bruk i alle sammenhenger, inkludert private husholdninger og de som er direkte knyttet til det offentlige lavspenningsnettet som leverer til bygninger som brukes til husholdsbruk.
Harmonisk utstråling IEC 61000-3-2	Klasse A	
Spennings- svinnin- ger/ flimme stråling IEC 61000-3-3	Overholder	


10.3 Elektromagnetisk immunitet

Veiledning og produsentens erklæring

Dette produktet er beregnet for bruk i et elektromagnetisk miljø som angitt nedenfor. Kunden eller brukeren av dette produktet må sikre at systemet brukes i en slik omgivelse.

Immunitetstest	Test / samsvarsnivå	Elektromagnetisk miljø - veiledning
Elektrostatisk utladning (ESD) IEC 61000-4-2	± 8 kV-kontakt ± 2 kV, ± 4 kV, ± 8 kV, 15 kV luft	Gulvet bør være av tre, betong eller belagt med keramiske fliser. Hvis gulvet er dekket med syntetiske materialer, bør den relative luftfuktigheten være på minst 30 %.
Elektrostatisk rask transient / puls IEC 61000-4-4	± 2 kV for strømforsynings- linjer; 100 kHz repetisjonsfre- kvens ± 1 kV for inngangs/ut- gangslinjer; 100 kHz repetisjonsfre- kvens	Kvaliteten på nettstrømmen skal tilsvare et typisk bedrifts- eller sykehusmiljø.
Overspenning IEC 61000-4-5	± 1 kV linje til linje ± 2 kV linje til jord	Kvaliteten på nettstrømmen skal tilsvare et typisk bedrifts- eller sykehusmiljø.

Immunitetstest	Test / samsvarsnivå	Elektromagnetisk miljø - veiledning
Spenningsfall, korte avbrudd og spenningsvingninger i strømforsyningens inngangslinjer IEC 61000-4-11	< 0 % U_T i 0,5 syklus i trinn på 45 ° 0 % U_T i 1 syklus 70 % U_T i 25 / 30 sykluser < 5 % U_T i 250 / 300 sykluser	Kvaliteten på nettstrømmen skal tilsvare et typisk bedrifts- eller sykehusmiljø. Dersom brukeren av dette produktet krever uavbrutt drift ved strømbrytning, anbefales det at produktet får strøm fra en avbruddsfri strømkilde eller et batteri. U_T er vekselstrømspenningen før anvendelse av testnivået.
Strømfrekvensens (50/60 Hz) magnetfelt IEC 61000-4-8	30 A/m	Strømfrekvensens magnetfelt bør tilsvare det typiske nivået for en vanlig plassering i et bedrifts- eller sykehusmiljø.
Ledet RF IEC 61000-4-6 Utstrålt RF IEC 61000-4-3	3 V 150 kHz til 80 Mhz 6 V i ISM- og amatørradiobånd 10 V/m 80 Mhz til 2,7 GHz 385 MHz - 5785 MHz testspesifikasjoner for immunitet for trådløst RF-kommunikasjonsutstyr, se tabell 9 i IEC 60601-1-2:2014	Det er ikke mulig å teoretisk forutsi feltstyrke fra faste sendere, f.eks. basestasjoner for radiotelefoner (mobile/trådløse) og landmobile radioer, amatørradio, AM- og FM-radiosendinger og TV-sendinger nøyaktig. For å bestemme det elektromagnetiske miljøet som skyldes faste RF-sendere, bør det vurderes å gjennomføre en elektromagnetisk undersøkelse på stedet. Hvis den målte feltstyrken på stedet der dette produktet skal brukes overskrider det anvendelige RF-samsvarsnivået ovenfor, må dette produktet observeres for å bekrefte at det fungerer som det skal. Dersom det observeres unormal ytelse, kan det være påkrevd med ytterligere tiltak, som å snu eller flytte på dette produktet. Det kan oppstå interferens i nærheten av utstyr som er merket med følgende symbol:  Bærbart og mobilt RF-kommunikasjonsutstyr skal ikke brukes nærmere enn 30 cm fra noen del av dette produktet (inkludert kabler).

 Disse retningslinjene gjelder kanskje ikke i alle situasjoner. Elektromagnetisk spredning påvirkes av absorbering og refleksjon fra strukturer, objekter og mennesker.

10.3.1 Testspesifikasjoner for immunitet overfor trådløst RF-kommunikasjonsutstyr

IEC 60601-1-2:2014 — Tabell 9

Testfrekvens (MHz)	Bånd ^{a)} (MHz)	Tjeneste ^{a)}	Modulasjon ^{b)}	Maksimum strøm (W)	Avstand (m)	Testnivå for immunitet (V/m)
385	380–390	TETRA 400	Pulsmodulasjon ^{b)} 18 Hz	1,8	0,3	27
450	430–470	GMRS 460, FRS 460	FM ^{c)} ± 5 kHz avvik 1 kHz sine	2	0,3	28
710 745 780	704–780	LTE-bånd 13,17	Pulsmodulasjon ^{b)} 217 Hz	0,2	0,3	9
810 870 930	800–960	GSM 800/900, TETRA 800, iDEN 820, CDMA 850, LTE Bånd 5	Puls modulasjon ^{b)} 18 Hz	2	0,3	28

Testfrekvens (MHz)	Bånd ^{a)} (MHz)	Tjeneste ^{a)}	Modulasjon ^{b)}	Maksimum strøm (W)	Avstand (m)	Testnivå for immunitet (V/m)
1720 1845 1970	1700–1990	GSM 1800; CDMA 1900; GSM 1900; DECT; LTE-bånd 1, 3, 4, 25; UMTS	Puls modulasjon ^{b)} 217 Hz	2	0,3	28
2450	2400–2570	Bluetooth, WLAN, 802.11 b/g/n, RFID 2450, LTE Bånd 7	Puls modulasjon ^{b)} 217 Hz	2	0,3	28
5240 5500 5785	5100–5800	WLAN 802.11 a/n	Puls modulasjon ^{b)} 217 Hz	0,2	0,3	9



Dersom det er nødvendig for å oppnå testnivået for immunitet, kan avstanden mellom senderantennen og det elektriske medisinske utstyret eller systemet reduseres til 1 meter. Testavstanden på 1 meter er tillatt etter IEC 61000-4-3.

a) For enkelte tjenester er kun opplinkfrekvensene inkludert.

b) Bærefrekvensen må moduleres med et kvadratbølgesignal med en arbeidssyklus på 50 %.

c) Som et alternativ til FM-modulasjon kan en 50 % pulsmodulasjon på 18 Hz brukes. Selv om det ikke representerer faktisk modulasjon, vil det være det verst tenkelige tilfellet.

Innehållsförteckning

Den här bruksanvisningen MÅSTE ges till brukaren. INNAN produkten används, läs bruksanvisningen och spara den för framtida referens.

1 Allmänt	118
1.1 Inledning	118
1.1.1 Definitioner	118
1.2 Symboler som används i det här dokumentet	118
1.3 Avsedd användning	118
1.4 Produktlivslängd	118
1.5 Information om garanti	118
1.6 Ansvarsbegränsning	118
1.7 Överensstämmelse	119
2 Säkerhet	119
2.1 Allmän säkerhetsinformation	119
2.2 Etiketter och symboler på produkten	120
2.2.1 Produktetikett	120
2.2.2 Andre märkater og symboler	120
3 Inställningar	121
3.1 Allmän säkerhetsinformation	121
3.2 Ingår i leveransen	121
3.3 Montering av Soft Tilt	121
4 Användande	124
4.1 Allmän säkerhetsinformation	124
4.2 Översikt	124
4.3 Elektronikbox och manöverdosa	124
4.4 Av/På och återställningsfunktion	124
4.5 Nödstopp	125
4.6 Manuell användning	125
4.6.1 Rekommenderade förfaranden	125
4.7 Automatisk användning	125
4.7.1 Sekvens för Auto-program	126
4.7.2 Pausa automatdrift	126
4.8 Ladda batteriet	126
4.9 Nödsänkning av vingen	126
5 Programmering	127
5.1 Individuellt definierade program	127
5.2 Hur de individuella automatiska programmen programmeras	128
5.3 Programexempel för automatiserad reduktion av tryckbelastning	130
6 Underhåll	131
6.1 Allmän information för underhåll	131
6.2 Rengöring och desinfektion	131
6.3 Batteri	131
7 Återanvändning	132
7.1 Kassering	132
7.2 Rekonditionering	132
8 Felsökning	133
8.1 Felsökning av det elektriska systemet	133
8.2 Programmeringsfel	134
9 Teknisk Data	135
9.1 Egenskaper	135
9.2 Vikter	135
9.3 Tillåtna madrastorlekar	135
9.4 Omgivningsförhållanden	135
9.5 Elektriskt system	136
10 Elektromagnetisk kompatibilitet (EMC)	137
10.1 Allmän EMC-information	137
10.2 Elektromagnetisk strålning	137
10.3 Elektromagnetisk integritet	137
10.3.1 Testspekifikationer för immunitet mot RF trådlös kommunikationsutrustning	138

1 Allmänt

1.1 Inledning

Den här bruksanvisningen tillhör ett Invacare-tillbehör och innehåller viktig information om hantering och montering. Läs bruksanvisningen för produkten noggrant och följ säkerhetsanvisningarna så säkerställer du att produkten används på ett säkert sätt.

Bruksanvisningen finns på Invacares hemsida. Du kan också kontakta ett ombud för Invacare. Adresser finns i slutet av den här manualen.

Invacare förbehåller sig rätten att ändra produktspecifikationerna utan ytterligare meddelande.

Kontrollera att du har den senaste versionen av den här manualen innan du läser den. Du hittar den senaste versionen som PDF-fil på webbplatsen för Invacare.

Om du tycker att teckensnittstorleken i den tryckta versionen av bruksanvisningen är svår att läsa kan du ladda ned PDF-versionen från webbplatsen. Du kan sedan förstora PDF-filen på skärmen till en teckensnittstorlek som passar dig bättre.

Vid en allvarlig händelse med produkten bör du informera tillverkaren och den behöriga myndigheten i ditt land.

1.1.1 Definitioner

Alla hänvisningar till vänster och höger baseras på en person som ligger på rygg i sängen, med huvudet vid huvudänden.

1.2 Symboler som används i det här dokumentet

Symboler och signalord som används i det här dokumentet och gäller för faror eller farliga förfaranden som kan leda till personskador eller skador på egendom. Symbolerna definieras nedan.



WARNING
Anger en riskfylld situation som kan leda till allvarlig skada eller dödsfall om den inte undviks.



FÖRSIKTIGT
Anger en riskfylld situation som kan leda till lättare skada om den inte undviks.



VIKTIGT
Anger en riskfylld situation som kan leda till produktskada om den inte undviks.



Tips och rekommendationer
Ger användbara råd, rekommendationer och information för en effektiv och problemfri användning.

1.3 Avsedd användning

Soft Tilt och elektronikenheten är avsedda att användas endast i samband med 90 cm breda Invacare®-sängar av typ Nordbed Optimo och Ultra, utrustade med sänggrindar av lämplig höjd (se diagram i 9 Teknisk Data, sida 135), sänggrindsskydd och profilskurna skummadrassar (se storlekstabell 9 Teknisk Data, sida 135)

- Som en del av ett övergripande program för att förhindra trycksår under vård.
- Till att flytta sängbundna slutanvändare så att de ligger på

vänster eller höger sida eller på rygg.

- Hjälpa slutanvändare i och ur säng.
- När det "automatiska" driftsläget används är det utformat för att reducera tryckbelastningar för slutanvändare.
- När det används i "manuellt" driftsläge är det utformat att hjälpa vårdpersonal att vända slutanvändaren från sida till sida i sängen.
- Den är lämplig för användning i hemmet, särskilda boenden och vårdinrättningar.
- Endast avsedd för användning inomhus.

Indikationer

Den avsedda patientgruppen för Soft Tilt är:

- Sängbundna orörliga/delvis orörliga vuxna slutanvändare.
- De som behöver tryckavlastning.
- De som behöver hjälp vid vård i sängen med sådant som personlig hygien, påklädning etc. Denna grupp av slutanvändare flyttas ofta från säng till stol med hjälp av en personlyft eller manuellt med stöd av vårdpersonalen i kombination med ett tekniskt hjälpmedel såsom en rollator.

Kontraindikationer

Soft Tilt är inte avsedd för slutanvändare som är rastlösa, oroliga, är spastiska eller är under psykiatrisk vård.

Försiktighetsåtgärder

- Innan Soft Tilt används är det viktigt att utvärdera om Soft Tilt är lämplig för den faktiska slutanvändaren.
- Slut användare får av säkerhetsskäl inte själva manövrera Soft Tilt.



WARNING!

Annan eller felaktig användning kan leda till riskfyllda situationer. Invacare åtar sig inget ansvar för någon annan användning, ändring eller montering av produkten än den som beskrivs i den här bruksanvisningen.

1.4 Produktlivslängd

Denna produkts förväntade livslängd är fem år när den används dagligen i enlighet med de säkerhetsinstruktioner, underhållsintervall och korrekt användning som anges i denna manual. Den faktiska livslängden kan variera beroende på hur mycket och intensivt produkten används.

1.5 Information om garanti

Vi tillhandahåller en tillverkargaranti för produkten i enlighet med våra allmänna affärsvillkor i respektive land.

Garantianspråk kan endast göras genom den leverantör som tillhandahöll produkten.

1.6 Ansvarsbegränsning

Invacare ansvarar inte för skador som uppkommer till följd av:

- att bruksanvisningen inte följs
- felaktig användning
- normalt slitage
- felaktig montering eller inställning som utförs av köparen eller tredje part
- tekniska ändringar
- obehöriga ändringar och/eller användning av olämpliga reservdelar.

1.7 Överensstämmelse

Denna produkt är CE-märkt i enlighet med förordningen om medicinsk utrustning 2017/745 klass 1. Produktens lanseringsdatum fastställs i CE-uttalandet om efterlevnad.

2 Säkerhet

2.1 Allmän säkerhetsinformation



WARNING!

Endast kompatibel med Invacare® Nordbed Optimo och Ultra-sängar

Denna Soft Tilt-version är speciellt utformad och får endast användas tillsammans med 90 cm breda sängar av typ Invacare® Nordbed Optimo och Ultra.



WARNING!

Fallrisk

Om Soft Tilt används utan eller med fall sänggrindar finns det risk för att slutanvändaren faller ur sängen.

- Använd aldrig Soft Tilt på en säng utan sänggrindar.
- Använd endast Soft Tilt i kombination med de Invacare-sänggrindar som anges i 9 Teknisk Data, sida 135.
- Kontrollera alltid att sänggrinden är uppe på motsatta sidan från där vårdpersonalen står ELLER att en vårdare är placerad på vardera sidan av sängen, när manuellt driftsläge används.
- Se alltid till att båda sidornas sänggrindar är uppe när automatiskt driftsläge har aktiverats.



WARNING!

Risk för klämskador och/eller kvävning

Om sänggrindarna används utan ett skydd eller med ett skydd som inte tillåter luftgenomsläpp finns risk för att slutanvändaren utsätts för klämskador och/eller kvävning.

- Använd alltid ett skydd till sänggrindarna som tillåter andning vid användning av Soft Tilt.



ADVARSEL!

Risk för fall och/eller klämning

- Utför alltid en riskbedömning av slutanvändarens tillstånd och rörelseförmåga.
- Använd aldrig Soft Tilt om slutanvändaren är orolig eller rastlös.
- Se alltid till att slutanvändaren är placerad i mitten av sängen och att alla kroppsdelar befinner sig på madrassen innan vingarnas läge ändras.
- Lämna aldrig slutanvändaren utan tillsyn när manuellt driftsläge används.
- Slut användaren får aldrig flyttas i eller ur sängen när vingarna flyttas manuellt eller när automatiskt driftsläge har aktiverats.
- Manöverdosan måste alltid skötas av vårdgivaren.



WARNING!

Risk för personskador och sakskada

Olämplig hantering av kablar kan orsaka elektriska stötar och fel i produktens funktion.

- Du får inte böja, skära i eller skada strömkabeln på något annat sätt.
- Rulla inte hjulen över strömkabeln.
- Håll strömkabeln borta från rörliga delar.
- Dra ut kontakten ur eluttaget innan du flyttar sängen.
- Se till att inga kablar (nät-kabeln eller kablar från annan utrustning) fastnar eller skadas när sängen används.
- Alla sängkomponenter och tillbehör måste hållas minst 30 cm från uppvärmda ytor och får inte exponeras för direkt solljus.

Madrasser



WARNING!

Säkerhetsaspekter beträffande kombination av sänggrindar och madrasser:

För att erhålla högsta möjliga säkerhetsnivå när sänggrindar används på sängen måste de lägsta och högsta måtten för madrasser beaktas.

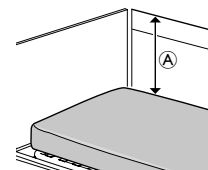
- För korrekta mått på madrasser, se madrassstabellerna i kapitel 9 Teknisk Data, sida 135.



WARNING!

Risk för att fastna och/eller kvävas

- Slut användaren kan fastna och/eller kvävas om det horisontella utrymmet mellan madrassens sida och insidan av sänggrinden är alltför stort. Se till att madrassens mått överensstämmer med den minsta bredden (och längden) för madrassen i kombination med respektive sänggrind, vilket anges i madrassstabellen i kapitel 9 Teknisk Data, sida 135.
- Tänk på att risken ökar om du använder mycket tjocka eller mjuka madrasser (låg densitet), eller en kombination av dessa.



WARNING!

Fallrisk

Slutanvändaren kan falla över kanten och skadas allvarligt om det vertikala avståndet A mellan madrassens översida och kanten på sänggrinden/sänggaveln är för litet. Se bilden ovan.

- Ha alltid som ett minsta avstånd A på 22 cm på sidan av den vinge användaren ligger på (motsatta vingen höjd till maximalt 12°).
- Se till att madrassens mått överensstämmer med den högsta höjden för madrassen i kombination med sänggrinden, vilket anges i madrassstabellen i kapitel 9 Teknisk Data, sida 135.

Elektromagnetiska störningar



VARNING!

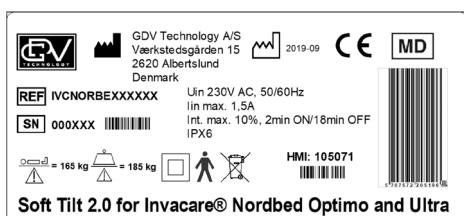
Risk för fel på grund av elektromagnetiska störningar

Elektromagnetiska störningar mellan denna produkt och annan elektrisk utrustning kan uppstå och inverka på produktens elektriska manöverfunktioner. För att förebygga, reducera och eliminera sådana elektromagnetiska störningar:

- Använd endast kablar, tillbehör och reservdelar som är original för att inte öka den elektromagnetiska strålningen eller reducera produktens elektromagnetiska integritet.
- Använd inte kommunikationsutrustning som nyttjar radiofrekvenser (RF) inom 30 cm avstånd från någon del av denna produkt (inklusive kablar).
- Använd inte denna produkt nära aktiv högfrekvent kirurgisk utrustning eller ett RF-avskärmat rum med ett system för magnetisk resonanstomografi, där det förekommer elektromagnetiska störningar av hög intensitet.
- Om störningar uppstår, öka avståndet mellan denna produkt och annan utrustning eller stäng av den.
- Se detaljerad information och följ riktlinjerna i kapitlet *10 Elektromagnetisk kompatibilitet (EMC)*, sida 137.

2.2 Etiketter och symboler på produkten

2.2.1 Produktetikett



Produktens etikett är placerad på huvudmodulen av Soft Tilt och innehåller den viktigaste produktinformationen, inklusive tekniska data.

Symboler

	Serienummer
	Referensnummer
	Tillverkarens adress
	Tillverkningsdatum
	Brukarens maxvikt
	Högsta säkra belastning vid användning
	Patientansluten del typ B
	WEEE-överensstämmelse
	Europeisk överensstämmelse
	Medicinteknisk utrustning
	Isoleringsklass 2
	Återvinningsbart batteri

Förkortningar för tekniska data:

- lin = Ingående strömstyrka
- Uin = Inspänning
- Int. = Intermittens
- AC = Växelström
- Max = Maximalt
- min = Minuter

För ytterligare information om tekniska data, se *9 Teknisk Data*, sida 135.

2.2.2 Andra etiketter och symboler

	Läs bruksanvisningen noga före användning och följ alla säkerhets- och användningsinstruktioner.
	Visar rätt placering och riktning av Soft Tilt® huvudmodul på sängen. Se 3.3 <i>Montering av Soft Tilt (Montering av huvudmodulen)</i> , sidan 121.
	Visar rätt placering av huvudmodulens huvud- och delsarmer. Se 3.3 <i>Montering av Soft Tilt (Montering av armar och fodral)</i> , sidan 123.
	Visar rätt placering av fodralet på Soft Tilt®. Se 3.3 <i>Montering av Soft Tilt (Montering av armar och fodral)</i> , sidan 123.

3 Inställningar

3.1 Allmän säkerhetsinformation

Kontrollera förpackningen när du tar emot produkten. Om förpackningen uppvisar tecken på skador vid leveransen ska du kontakta transportföretaget.



VARNING!

Risk för personskador och sakskada

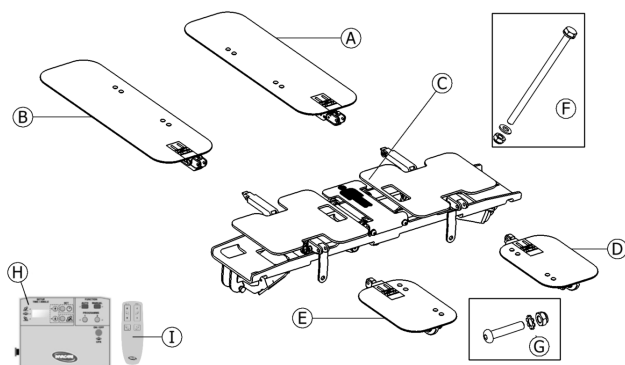
Montering och installation måste utföras av auktoriserad eller utbildad personal.

- Denna Soft Tilt-version är speciellt utformad och får endast användas tillsammans med 90 cm breda sängar av typ Invacare® Nordbed Optimo och Ultra.
- Följ instruktionerna noggrant. Om du har några frågor angående montering, kontakta din lokala hjälpmedelscentral eller ett ombud för Invacare.
- Använd inte produkten om den visar några tecken på skador. Kontakta din lokala hjälpmedelscentral eller ett ombud för Invacare.
- Den elektriska utrustningen för produkten får inte demonteras eller kombineras med annan elektrisk utrustning.
- Kontrollera att alla muttrar har dragits åt ordentligt och att alla delar fungerar korrekt vid varje montering.

3.2 Ingår i leveransen

Soft Tilt levereras delvis monterad i en låda av kartong.

Huvuddelar



- Ⓐ Huvudändens arm för vänster vinge
 - Ⓑ Huvudändens arm för höger vinge
 - Ⓒ Huvudmodul (förmonterad enhet)
 - Ⓓ Fotändens arm för vänster vinge
 - Ⓔ Fotändens arm för höger vinge
 - Ⓕ 2 uppsättningar: Vagnsbult, bricka och låsmutter
 - Ⓖ 4 uppsättningar: Insexskruv, bricka och låsmutter
 - Ⓗ Elektronikbox
 - Ⓘ Manöverdosa
- Textilskydd (visas inte i bild)

3.3 Montering av Soft Tilt

Montering av huvudmodulen



FÖRSIKTIGT!

Risk för personskador eller materiella skador

Om du håller huvudmodulen i fel delar när du lyfter den kan det orsaka produkt- eller personskada.

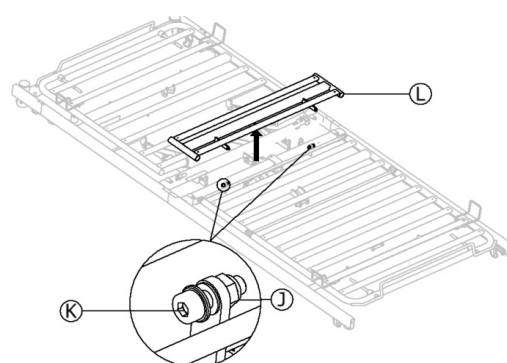
- Håll bara i huvudmodulen i täckplåtarna på vingarna eller i monteringsfästena på underredet, där klistermärkena som anger "lift here" är placerade.
- Håll inte i den mellersta täckplåten.



VARNING!

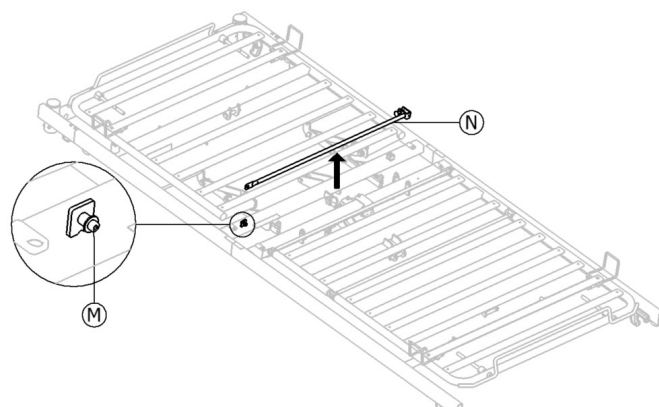
Se till att sängen är korrekt ansluten i mitten och är plant läge (180°).

1.
 - a.



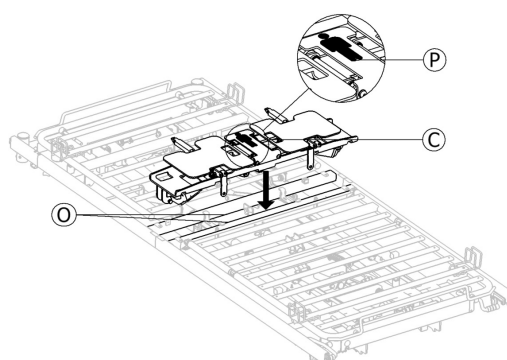
På båda sidor av sängen, ta bort muttern Ⓧ och skruven Ⓨ med en 13 mm nyckel och 6 mm insexnyckel för att ta bort mittensektionen Ⓦ från sängen. Förvara alla delar tillgängliga för återmontering när Soft Tilt tas bort igen från sängen.

1.
 - b.



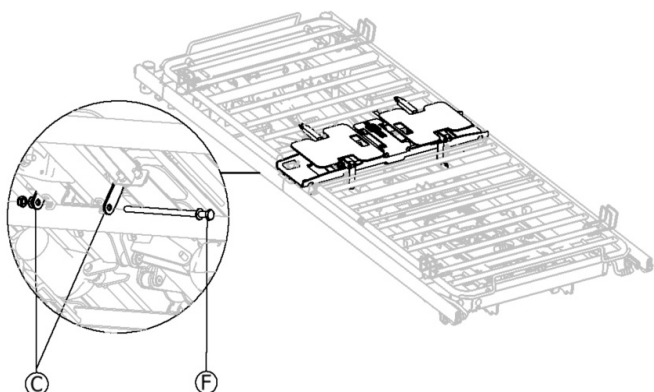
Ta bort skruv Ⓞ och mutter med en 3 mm nyckel och 7 mm insexnyckel för att lossa Ⓟ från sängen. Förvara alla delar tillgängliga för återmontering när Soft Tilt tas bort igen från sängen.

- 2.



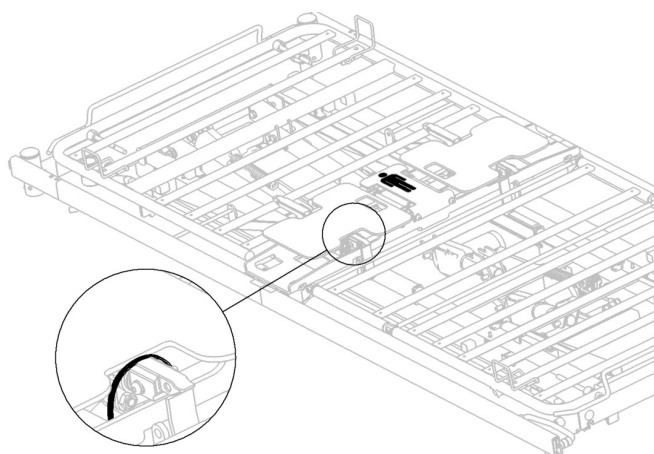
Placera huvudmodulen ③ på tvärbalkarna ④, enligt symbolen i den zoomade bilden ⑤. Huvudet vänt mot ändens huvudände och fötterna vända mot sängens fotände.

3.



Fäst huvudmodulen på sängbottens tvärbalkar genom att föra vagnsbulten ⑥ genom hållaren på huvudmodulen ③, bricka och mutter, underifrån på sängens båda sidor.

4.



Klipp av alla buntband för att lösgöra vingarna, innan du startar motorerna. Se till att nya buntband används på samma plats när huvudmodulen ska tas bort från sängen.

Ledningar

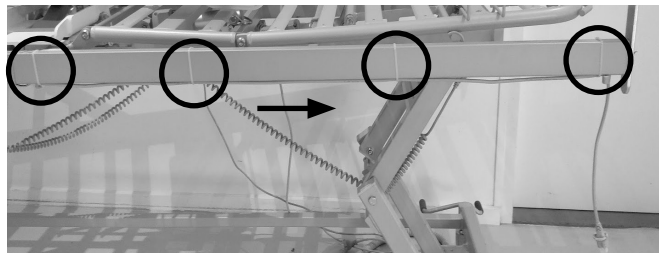
Elektronikboxen och manöverdosan ska hängas vid fotgaveln.



Anslutningar vid elektronikboxen

- ④ Elförsörjning
- ⑤ Manöverdosa
- ⑥ Höger motor
- ⑦ Vänster motor

1.



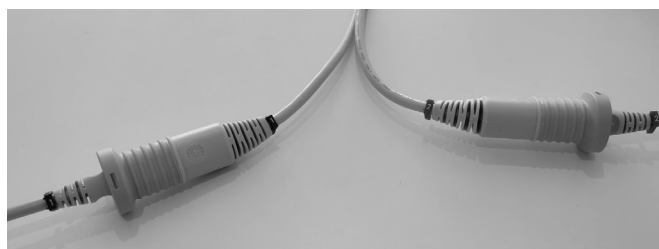
Dra motorkabeln under sängramen mot fotändan (indikeras med pilen i bilden) på sängens båda sidor och fäst kablarna med buntband på sängramen. Se till att båda motorkablarna är fastsatta med buntband (markerade med cirklar på bilden), det första buntbandet nära motorn och de övriga tre på ramröret mot fotändan. Se till att buntbandens ändar inte är riktade utåt från sängramen.

2.



Anslut manöverdosan till kabeln ⑧ och anslut elsladdens kontakt ⑨ till väggeluttaget. Manöverdosans sladd är märkt med ③ på kabelklämman motsvarande ③ på elektronikboxsladden.

3.



Anslut sladdarna till höger och vänster motor till de två förlängningssladdarna ⑤ och ⑥ från elektronikboxen. Den högra motorsladden är märkt ① på sladdklämman motsvarande ① på kabeln från elektronikboxen. Den vänstra motorsladden är märkt ② på sladdklämman motsvarande ② på elektronikboxsladden. Avaktivera nödstoppet, slå på systemet, aktivera manuellt läge och använd manöverdosan en för att kontrollera att vänster och höger motor är korrekt anslutna till elektronikboxen (se kapitel *Användning* för mer detaljerade instruktioner).



Se till att alla sladdar går under sängramsroren och lyft och sänk sängen hela vägen upp och ner för att säkerställa att inga sladdar kommer i kläm.

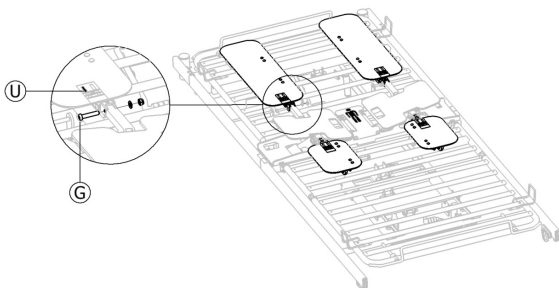
4.



Bind ihop motorsladdarna med ett buntband. Kör sängen uppåt och nedåt för att se till att sladdbunten inte fastnar på några sängdelar och kan röra sig fritt.

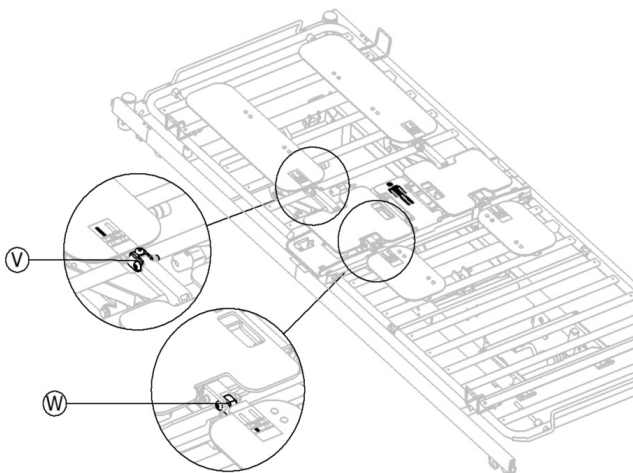
Montering av armar och skydd

1. Se till att huvudmodulens båda vingar är något lyfta så att anslutningarna till armarna är åtkomliga.
- 2.



Anslut de fyra armarna till huvudmodulen enligt illustrationen på armarnas etikett som visas i den zoomade bilden ①. Den svartmarkerade delen på dekalen avser platsen där armen ska placeras. Fäst de fyra armarna med insexbultar från uppsättning ② och dra åt med låsmutterna vända inåt. Säkerhetsbrickorna ska placeras på mot låsmuttern.

3.

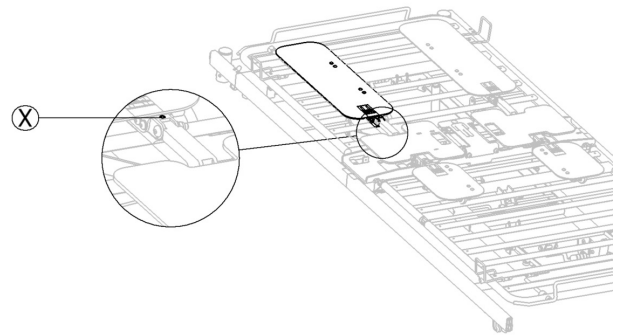


Se till att huvudarmarna är monterade på teleskopkonsolen ③ i det första gängade hålet och du inte kan se de övriga gängade hålen. Se till att fotarmarna är monterade på teleskopkonsolen ④ på det första gängade hålet och du inte kan se de övriga gängade hålen.

4.

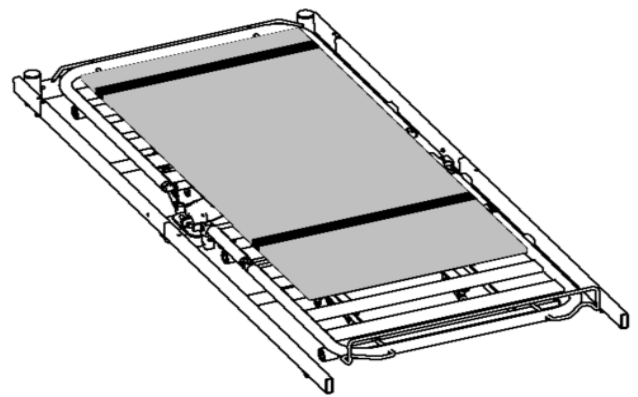
! VIKTIGT!

Före användning, justera läget för de fyra armarna med tanke på patients vikt, för optimalt lyftstöd. Kontrollera att de fyra armarna förblir horisontella i planläge.



Justera armarnas läge med skruven ⑤ tills armarna är i horisontellt läge.

5.



Montera skyddet genom att skjuta fickorna över huvudändens och fotändens armar. På skyddets huvudände finns etikett och en symbol som visar hur skyddet ska placeras:



Symbolen indikerar skyddets huvudände.

! VIKTIGT!

Soft Tilt får inte användas utan skydd.

6. Placera och fäst madrassen på Soft Tilt.
 - a. Lossa kardborrefästena på båda sidors band till skyddet och vik dem åt sidan.
 - b. Placera madrassen på sängen ovanpå Soft Tilt (för kompatibla madrasser, se 9 Teknisk Data, sida135).
 - c. Dra banden över madrassen och fäst kardborrefästena så att madrassen är tätt fixerad mot Soft Tilt.

4 Användande

4.1 Allmän säkerhetsinformation



VARNING!

Risk för personskador och sakskada.

- Sängen måste placeras så att höjjusteringen inte hindras av exempelvis lyftar eller möbler.
- Var försiktig så att inga kroppsdelar kommer i kläm mellan fasta delar (exempelvis sänggrindar, sänggavlar osv.) och rörliga delar.
- Manöverdosan får inte användas av barn.
- Manöverdosan får endast användas av vårdgivare.



VIKTIGT!

Om ett strömavbrott inträffar, säkrar batteriet möjligheten att återställa Soft Tilt via funktionen "ON/OFF".

- Säkerställ att batteriet är fulladdat före användning av Soft Tilt.
- Se Batteri i underhållsavsnittet för ytterligare information.

4.2 Översikt

Soft Tilt kan användas antingen i manuellt eller automatiskt driftsläge.

Sängens normala funktioner kan aktiveras i båda lägen.



Det rekommenderas att huvudändan är något höjd under användningen av Soft Tilt för att ge slutanvändaren en mer bekväm ställning.

Manuellt driftsläge

Det manuella driftsläget har utformats för att hjälpa vårdpersonal att vända slutanvändaren från sida till sida i sängen.

Vingarna kan höjas och sänkas med manöverdosan (se avsnittet *Manuell användning*).

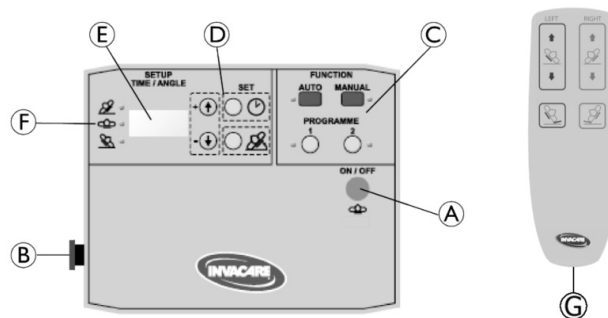
Automatiskt driftsläge

Det automatiska driftsläget har utformats för att reducera tryckbelastningar för slutanvändare.

I AUTO-programmet flyttar sig vingarna automatiskt i enlighet med fördefinierade parametrar för tid och vinkel (se avsnittet *Sekvens för Auto-program*).

I Program 1 och 2 förflyttas vingarna automatiskt i enlighet med individuellt definierade parametrar för tid och vinkel (se avsnittet *Programmering*).

4.3 Elektronikbox och manöverdosa



- Ⓐ Knapp för Av/På och Återställningsfunktion
- Ⓑ Knapp för nödstopp
- Ⓒ Funktionsknappar för val av driftsläge
- Ⓓ Inställningsknappar för att ställa in parametrar för program 1 och 2
- Ⓔ Display
- Ⓕ Positionsvisare
- Ⓖ Manöverdosa

4.4 På/Av och Återställningsfunktion

Slå på for systemet

1. Tryck och håll in knapp Ⓐ under 3 sekunder för att slå på systemet.

Återställningsfunktion

Återställningsfunktionen åsidosätter alla kommandon och flyttar båda vingarna till horisontellt läge.

1. För att aktivera Återställningsfunktionen, tryck på knapp Ⓐ (utan att hålla den intryckt).

Stäng av systemet

1. Tryck på knappen Ⓐ för att återställa systemet och om tillämpligt, vänta tills båda vingarna flyttats till horisontellt läge.
2. Tryck och håll in knapp Ⓐ under 3 sekunder för att stänga av systemet.

Display

Systemstatus	Display	Obs!
AV		Displayen är tom
PÅ	programva- ruversion (3 siffror)	Visas 2 sek. efter att systemet har aktiverats. (växlar till passivt läge om ingen funktion har valts).
PÅ	---	Passivt läge (ingen funktion vald)
Återställ	AV	Visas efter Återställningsfunktion har aktiverats. Därefter växlar systemet till passivt läge.

4.5 Nödstopp

VIKTIGT

- När nödstoppet har aktiverats kan Återställningsfunktionen fortfarande aktiveras genom att trycka på knappen **A**, så att vingarna sänks till horisontellt läge om detta krävs.

När nödstoppet aktiverats upphör alla kontroller och rörelser omedelbart (vingarna stannar i sina befintliga positioner).

- För att aktivera, tryck in knappen **B**.
- För att inaktivera, rotera knappen **B** medurs.
- Tryck på knappen **A** för att återställa systemet.

4.6 Manuell användning



VARNING!

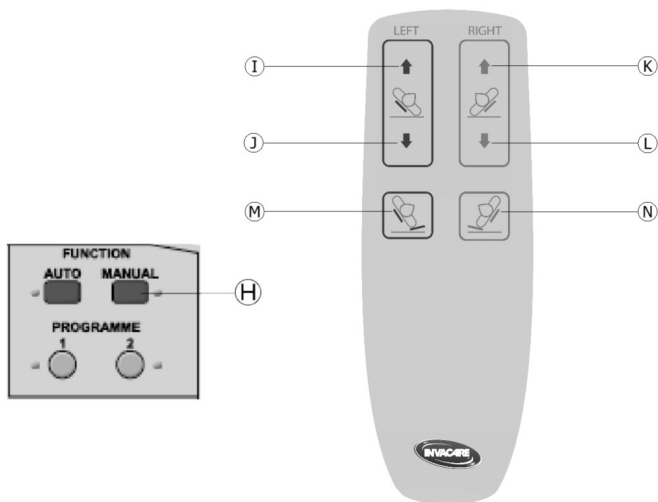
Risk för klämning och skador

Om båda vingarna höjs samtidigt till över 12° vinkel föreligger risk att patienten kläms.

- Detta alternativ får endast användas av utbildad personal.



Första gången MANUELL aktiveras efter att systemet har slagits på, återställer det sig självt innan funktionen kan användas.



- Tryck på och håll ned knappen **H** i 3 sekunder för att aktivera manuell användning.
- Tryck på manöverdosan knappar efter behov.
 - För att höja vänster vinge, tryck på **I**
 - För att sänka vänster vinge, tryck på **J**
 - För att höja höger vinge, tryck på **K**
 - För att sänka höger vinge, tryck på **L**
 - För att höja höger vinge 0° till 80° och vänster vinge från 0° till 5°, tryck på **N**
 - För att höja vänster vinge 0° till 80° och höger vinge från 0° till 5°, tryck på **M**



- Vänster och höger knappar kan aktiveras samtidigt för att manövrera båda vingarna samtidigt.
- Vingarna kan flyttas i ett intervall från 0° till 80°.

- För att inaktivera manuell användning, tryck på PÅ/AV knappen **A**.

Statusindikatorer

Display	LED	Anm.
0 = ingen aktivitet U01 = höger vinge rör sig uppåt d01 = höger vinge rör sig nedåt U01 = vänster vinge rör sig uppåt d01 = vänster vinge rör sig nedåt	MANUELL LED aktiv	Siffrorna på displayen motsvarar vingens aktuella vinkel. Bokstäverna motsvarar rörelsens riktning: - U = rörelse uppåt. - d = rörelse nedåt. - 01 = 1°

4.6.1 Rekommenderade förfaranden

Förflyttning från horisontell position till sidan:



Tryck antingen på **N** eller **M** beroende på vilken sida patienten ska lyftas till.

Förflyttning från den ena sidan till den andra:



- Om den vänstra sidan är höjd - tryck och håll in **N** för att övergå från vänster till höger sida. Släpp knappen när önskad höjd är uppnådd.
- Om den högra sidan är höjd - tryck och håll in **M** för att övergå från höger till väster sida. Släpp knappen när önskad höjd är uppnådd.

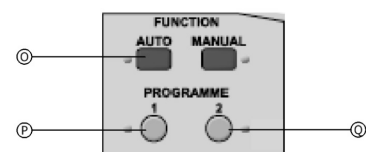
4.7 Automatisk användning

AUTO-programmet är fördefinierat och kan inte ändras.

Program 1 och 2 kan ställas in individuellt av vårdpersonal (se kapitlet *Programming*). Vid leverans är programmen tomma och måste ställas in före användning.




- Om ett av programmen är aktiverat kommer systemet att återställas till horisontell position innan det valda programmet startas.
- Om ett nytt program väljs medan ett annat program är aktivt återställs systemet till horisontell position innan det nya programmet startas.



- Tryck på programknapparna efter behov
 - För att starta AUTO-programmet, tryck och håll **C** under 3 sekunder.
 - För starta program 1, tryck och håll **D** under 3 sekunder.
 - För starta program 2, tryck och håll **D** under 3 sekunder.

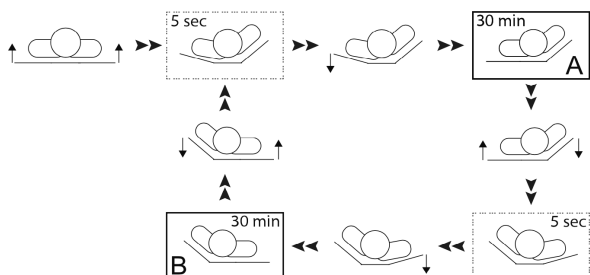
2. För att stoppa ett pågående program tryck på PÅ/AV knappen **A**.

 Manöverdosan fungerar inte när ett program är aktivt.

Statusindikatorer

Aktivt program	Display	LED	Anm.
AUTO	AU	AUTO-LED aktiv	
Program 1	P1	P1-LED aktiv	
Program 2	P2	P2-LED aktiv	
Timer	P1/XX och P2/XX		Displayen växlar mellan valt program och tid till nästa vändning. -P1/01 = program 1 och 01 minut till nästa vändning. -P2/05= program 2 och 05 minuter till nästa vändning.


4.7.1 Sekvens för Auto-program

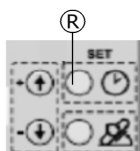


- Båda vingarna startar i horisontell position och börjar lyftas samtidigt
- Vänster vinge stoppas vid 12° och höger vinge stoppas vid 40°.
- 5 sekunder efter att höger vinge har nått 40° sänks vänster vinge till 0°.
- Denna position A bibehålls under 30 minuter.
- Vänster vinge börjar lyftas samtidigt som höger vinge börjar sänkas.
- Höger vinge stannar vid 12° och vänster vinge fortsätter att höjas upp till 40°.
- 5 sekunder efter att vänster vinge har nått 40° sänks höger vinge till 0°.
- Denna position B bibehålls under 30 minuter.

Cykeln fortsätter att skifta mellan position A och B, till dess att programmet stoppas.

4.7.2 Pausa autodrift

 Det går att pausa automatisk drift och använda manöverdosan som i manuellt läge.




1. Tryck och håll in knappen **R** i tre sekunder samtidigt som ett automatisk program kör, kommer vingarna flyttas till planläge. Nu kan det manuella läget användas.
2. Det program som var aktivt innan pausåtgärden fortsätter efter 30 minuters inaktivitet. 10 sekunder innan programmet startar hörs ett PIP. Om inaktivitetsperioden ska förlängas, tryck på valfri knapp på manöverdosan efter PIPET.
3. Om autoprogrammet ska starta om direkt, tryck och håll in **R** under tre sekunder för att aktivera.

4.8. Ladda batteriet

Batteriet laddas när systemet är anslutet till elnätet och är påslaget.

När batteriet laddas visas en punkt längst ned i högra hörnet på displayen.

Batteriet är fulladdat efter 12 timmar.

 När felkod E03 eller E04 visas laddas INTE batteriet.

4.9 Nödsänkning av vingen

Vid strömavbrott eller motorfel kan vingen behöva nödsänkas.



WARNING!

Risk för kroppsskada

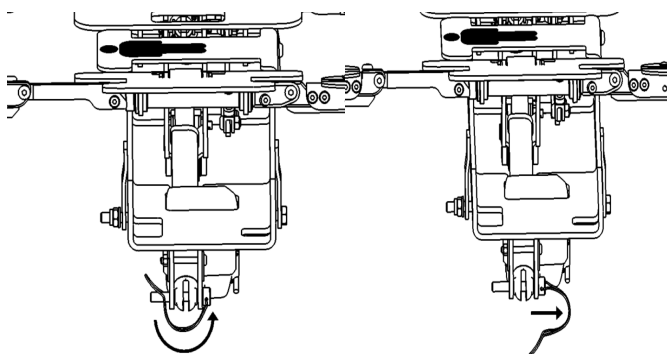
- Minst två personer krävs vid nödsänkning av vingen
- När vingen släpps fri kan den sjunka fort. Se till att det inte finns något ivägen under vingen och armarna.



VIKTIGT!

- Före nödsänkning av vingen, ta ut kontakten ur eluttaget.

1. Båda personerna ska hålla i den upphöjda vingen.
2. En av personerna drar ut låssprinten.



3. När låssprinten är borttagen kommer motorn glida ut ur hållaren och sakta sänka ner vingen.

5 Programmering

5.1 Individuellt definierade program

Program 1 och 2 kan definieras individuellt av vårdpersonal genom att ställa in vinklarna för vingarna och hålltider för olika positioner.

Definiera vinklar

Vinklarna för vänster och höger vinge kan definieras individuellt för den första sidans position. Den andra (motsatta) sidans position definieras automatiskt som en spegelbild av den första sidans position.

- Om vinkeln för den ena vingen är inställd mellan 13° och 40°, definieras den vingen som "primär vinge".
- Den motsatta vingen definieras då som "sekundär vinge" och dess valbara vinkelvärden begränsas till 0°–12°.

Det finns två alternativ för vingen som slutanvändaren ligger på (t.ex. vänster vinge om slutanvändaren ligger på vänster sida):

- Om vinkeln på den sekundära vingen är inställd på 0° höjs den till 12° under vändrorelsen och flyttar till en horisontell position 5 sekunder efter det att den primära vingen har nått sin inställda vinkel, så att slutanvändaren kommer att vila på en horisontell sekundär vinge.
- Om vinkelvärdet för den sekundära vingen är inställd på mellan 1° och 12° kommer den att förbli i förhöjt läge med den valda vinkeln i en sidoposition och slutanvändaren kommer att vila på en förhöjd sekundär vinge.



FÖRSIKTIGT!

Fallrisk

Om den sekundära vingen förblir i förhöjt läge medan slutanvändaren vilar i ett sidoläge, minskas avståndet till översidan av sänggrinden.

- Använd endast de sänggrindar som anges för denna situation i 9 *Teknisk Data*, sida 135.

Definiera tiden:

Tider för de två sidornas positioner och horisontell position kan definieras individuellt mellan 000 och 180 minuter.



Det går att välja om planläge, vänster eller höger sida ska aktiveras först.

Om tiden för ena sidans position anges till 000 minuter:

- programmet inleder övergången från horisontell position till den första positionen efter den angivna tiden.
- programmet skiftar endast mellan horisontell och den andra sidans position (t.ex. horisontell-höger-horisontell-höger-...)

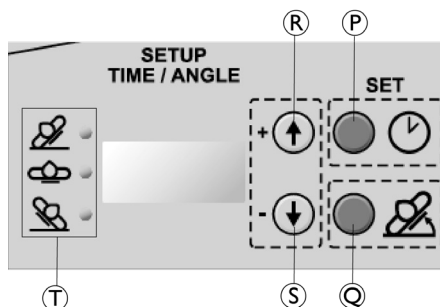
Om tiden för horisontell position anges till 000 minuter:

- programmet startar omedelbart efter aktiveringen med övergången till den första sidans position.
- programmet skiftar endast mellan de två sidornas position (t.ex. vänster-höger-vänster-höger-...).

Om tiden för horisontell position anges till mellan 3 och 180 minuter:

- programmet inleder övergången från horisontell position till den första positionen efter den angivna tiden.
- programmet övergår alltid till horisontell position mellan de två sidornas positioner (t.ex. horisontell-höger-horisontell-vänster-horisontell-höger-...)
























5.2 Hur de individuella automatiska programmen programmeras



- P Knapp för inställning av tid / start av programmering
- Q Knapp för inställning av vinkel
- R Justeringsknapp för plus (öka värden för tid och vinkel)
- S Justeringsknapp för minus (minska värden för tid och vinkel)
- T Positionsvisare (LED)
 - Höger (överst) = höger ving eller position
 - Horisontellt (mellersta) = båda vingarna i horisontell position
 - Vänster (nederst) = vänster ving eller position

När du programmerar Soft Tilt, ställ först in den tid som vingarna är i upphöjt eller plant läge, därefter höjningsvinklarna och till sist vingarnas start sida (höger, vänster eller plant). Detta görs för antingen program 1 eller program 2.

Steg	Funktion	Display	LED	Obs!	
1	Tryck och håll i 3 sekunder.		SEL	ingen	Gå över till programmeringsläge
2	Tryck		P1	P1	Välja program som ska ställas in
	eller		P2	P2	
3	Tryck		010	P1 eller P2 & Rätt	Tiden visas på displayen
4	Tryck	 	001 020	P1 eller P2 & Rätt	Justera tiden mellan 000 och 180 minuter (0, 3, 10–180 i steg om +/-10 minuter)
5	Tryck		010	P1 eller P2 & Horisontellt	Tiden visas på displayen
6	Tryck	 	001 020	P1 eller P2 & Horisontellt	Justera tiden mellan 000 och 180 minuter (0, 3, 10–180 i steg om +/-10 minuter)

Trin	Funktion	Display	LED	Note
7	Tryck 	010	P1 eller P2 & Vänster 	Tiden visas på displayen
8	Tryck  	001 020	P1 eller P2 & Vänster 	Justera tiden mellan 000 och 180 minuter (0, 3, 10–180 i steg om +/-10 minuter)
9	Tryck 	A	–	ett enkelt *PIP* = Tiden har nu ställts in.
10	Tryck 	015	P1 eller P2 & Rätt 	Vinkeln visas på displayen
11	Tryck  	014 016	P1 eller P2 & Rätt 	Justera vinkeln mellan 00 och 30 grader (i steg om +/-1 grad)
12	Tryck 	010	P1 eller P2 & Vänster 	Vinkeln visas på displayen
13	Tryck  	009 011	P1 eller P2 & Vänster 	Justera vinkeln mellan 00 och 30 grader (i steg om +/-1 grad)
14	Tryck 	-	Ingen	dubbelt *PIP* = vinkeln har nu ställts in och hela programmet sparas.
15	Tryck  	SEL	Rätt  Horisontellt  Vänster 	Bestäm sida där Soft Tilt ska starta: HÖGER, PLANT eller VÄNSTER.
16	Tryck 	-	Ingen	tre *PIP* = startside har valts och hela programmet har sparats.



- Om inga knappar trycks under 2 min avslutas programmeringsläget automatiskt utan att några inställningar sparas.

5.3 Programexempel för automatiserad reduktion av tryckbelastning

- Slut användaren vänds från höger sida till horisontellt läge till vänster sida och ligger alltid på en horisontell vinge.
 - Vinkel för primärvinge = 13°–40°
 - Vinkel för sekundärvinge = 0°
 - Tid för höger, horisontell och vänster position > 0 minuter.
- Slut användaren vänds från höger sida till horisontellt läge till vänster sida och ligger alltid på en något lyft vinge.
 - Vinkel för primärvinge = 13°–40°
 - Vinkel för sekundärvinge = 1°–12°
 - Tid för höger, horisontell och vänster position > 0 minuter.

Detta program kräver ”höga” sänggrindar.

- Slut användaren vänds från höger sida till vänster sida, ligger aldrig i horisontellt läge, men alltid på en horisontell vinge.
 - Vinkel för primärvinge = 13°–40°
 - Vinkel för sekundärvinge = 0°
 - Tid i horisontellt läge = 0 min.
 - Tid i vänster och höger position > 0 min.
 - se avsnittet *Sekvens för Auto-program* som ett exempel.
- Slut användaren vänds från höger sida till vänster sida, ligger aldrig i ett horisontellt läge, men alltid på en något förhöjd vinge (Vaggfunktion).
 - Vinkel för primärvinge = 13°–40°
 - Vinkel för sekundärvinge = 1°–12°
 - Tid i horisontellt läge = 0 min.
 - Tid i vänster och höger position > 0 min.

Detta program kräver ”höga” sänggrindar.

- Slut användaren vänds från enda sidan till horisontellt läge och tillbaka till samma sida, alltid liggande på en horisontell vinge.
 - Vinkel för primärvinge = 13°–40°
 - Vinkel för sekundärvinge = 0°
 - Tid i horisontellt läge > 0 min.
 - Tid i vänster eller höger position = 0 min.

- Slut användaren vänds från enda sidan till horisontellt läge och tillbaka till samma sida, alltid liggande på en något lyft vinge.

- Vinkel för primärvinge = 13°–40°
- Vinkel för sekundärvinge = 1°–12°
- Tid i horisontellt läge > 0 min.
- Tid i vänster eller höger position = 0 min.

Detta program kräver ”höga” sänggrindar.

- Båda vingarna lyfter till samma vinkel utan ompositionering (Bakifrånkram).
 - Vinkel för primär och sekundär vinge = 10°–12°
 - Tid i horisontellt läge = 0 min.
 - Tid i vänster och höger position > 0 min (inställda värden är inte relevanta, se nedan)



Ingen automatisk ompositionering sker när båda vingarna är inställda på samma vinkel, därför har inställda tider för vänster och höger position ingen påverkan.

6 Underhåll

6.1 Allmän information för underhåll



VIKTIGT!

Service och underhåll av Soft Tilt måste utföras tillsammans med sängen.

- Se *bruksanvisningen och/eller servicemanualen* för mer information om underhåll och kontrollistor.

6.2 Rengöring och desinfektion



VIKTIGT!

Risk för kontaminering

- Använd lämplig personlig skyddsutrustning.



VIKTIGT!

Felaktiga vätskor och metoder kan skada din produkt.

- Alla rengöringsmedel och desinfektionsmedel måste vara effektiva, vara inbördes kompatibla och ska skydda de material de används för att rengöra.
- Använd aldrig frätande vätskor som alkaliner, syror, cellulosalösningsmedel, aceton osv. Vi rekommenderar vanliga hushållsrengöringsmedel som diskmedel om inget annat anges i instruktionerna.
- Använd aldrig lösningsmedel som påverkar plastens struktur eller löser upp etiketterna.
- Se alltid till att produkten är helt torr innan den används.

Elektriska komponenter



VIKTIGT!

IP-klassificeringen avgör de elektriska komponenternas tvättbarhet.

Elektronik klassificerad som IPx6

kan INTE tvättas med rengöringsutrustning som ger ifrån sig stråle eller i en tunnel för tvättning.

Elektroniska komponenter klass IP66 får tvättas med högtrycksutrustning men INTE i tvättunnel.

- IP-klassificeringen anges på de elektriska komponenternas serienummeretiketter.
- Observera även att komponenterna kan ha olika klassificering.
- Den lägsta IP-klassificeringen avgör kombinationens övergripande klassificering.

Textilier

Detaljerade tvättanvisningar finns på textilskyddets etikett.

Ta ut skumdelen i fodralets fotände innan du lägger fodralet i tvättmaskinen.

Allmän rengöringsmetod

Metod: Torka av produkten med en våt trasa eller en mjuk borste.

Maxtemperatur: 40 °C

Lösningsmedel/kemikalier: Milt rengöringsmedel för hushåll eller tvål och vatten.



VIKTIGT!

För detaljerad information om rengöringsmetoder se bruksanvisningen för aktuell säng.

Rengöringsintervaller



VIKTIGT!

Regelbunden rengöring och desinfektion garanterar problemfri drift, höjer livslängden och förebygger kontaminering.

Rengöring och desinfektion

- före och efter alla serviceförfaranden,
- när enheten har varit i kontakt med kroppsvätskor,
- innan den tas i bruk för ny användare

6.3 Batteri

Vi rekommenderar att batteriet kontrolleras var 6:e månad:

1. Lyft båda vingarna och koppla ur elkabeln.
2. Tryck PÅ/AV -knappen A och se till att båda vingarna intar horisontellt läge.

Vi rekommenderar att batteriet byts efter 4 år – ring hjälpmedelscentral/tekniker för att byta batteriet.

Förvaring



VIKTIGT!

Innan Soft Tilt ställs i förvar, säkerställ att systemet har stängts av helt och nödstoppet har tryckts in för att förhindra urladdning av batteriet.

7 Återanvändning

7.1 Kassering



FÖRSIKTIGT!

Miljöfara

Produkten innehåller batterier.

Denna produkt innehåller ämnen som kan vara skadliga för miljön om de kastas på olämpliga platser (deponier) som inte överensstämmer med gällande lagstiftning.

- Batterier får INTE kastas i vanligt hushållsavfall.
- Batterier MÅSTE lämnas om hand på en särskild återvinningscentral. Återlämnandet är ett krav enligt lag och är kostnadsfritt.
- Kassera endast helt urladdade batterier.
- För information om batterityp, se batteriets etikett eller kapitel 9, *Tekniska data, på sidan 135*.

Ta ansvar för miljön och lämna in denna produkt för återvinning när den är uttjänt.

Montera isär utrustningen och dess delar så att de olika materialerna kan återvinnas var för sig.

Kassering och återvinning av använda produkter och förpackningsmaterial måste ske i enlighet med lokala lagar och förordningar. Kontakta lokal återvinningscentral för mer information.

Vi använder endast material och komponenter som är kompatibla med REACH.

- Alla elektriska komponenter måste monteras isär och kastas som elektriskt avfall.
- Plastdelar ska skickas in för att brännas eller återvinnas.
- Ståldelar ska kasseras som metallavfall.

7.2 Rekonditionering

Denna produkt kan återanvändas. För att förbereda produkten för en ny användare, utför följande åtgärder:

- Inspektion, rengöring och desinfektion enligt beskrivning i kapitel 6 *Underhåll, sidan 131*.

8 Felsökning

8.1 Felsökning av det elektriska systemet

Fel	Display (blinkar med 0,5 sekunders intervall mellan två koder)		Ljudsignal	LED (blinkar gult)	Kommentar	Lösning
Driftsstopp VÄNSTER motor Överbelastad VÄNSTER motor	E01	E0	10 pip växlande 1 sekund PÅ, 1 sekund AV Vid försök att aktivera motorn igen: 1 pip under 1 sekund	Vänster	endast i Auto-läge (ingen display, ljudsignal eller blinkande LED i manuellt driftsläge)	Kontrollera kablarna till och från motorn för följande: – Kabel oskadad. – Kabel korrekt ansluten till motor. – Kabelanslutning korrekt installerad och intakt.
Driftsstopp HÖGER motor Överbelastad HÖGER motor	E02	E0		Höger		
Batteriläge: Strömavbrott ELLER Nödstopp aktiverat	E03	E0	4 pip växlande 1 sekund PÅ, 1 sekund AV		<ul style="list-style-type: none"> - 1:a ljudsignalen vid fränkoppling från elnätet ELLER då nödstopp aktiveras. Systemet växlar till batteriläge och vingarna stannar i det läge de befinner sig för ögonblicket. - 2:a ljudsignalen efter 20 minuter. - 3:e ljudsignalen efter 40 minuter. - Efter 60 minuter växlar systemet till fel för dåligt laddat batteri (E04). 	Anslut till elnätet OCH/ELLER avaktivera nödstoppet för att ladda och kontrollera batteriet (se kapitlet <i>Underhåll</i> för ytterligare information).
Batteriet är dåligt laddat	E04	E0	4 pip växlande 1 sekund PÅ, 1 sekund AV		<ul style="list-style-type: none"> - 1:a ljudsignalen när batteriet upptäcks vara dåligt laddat i batteriläge. - Ytterligare ljudsignaler avges var 20:e minut till dess att systemet stängs av för att spara på batteriet för en sänkning. 	
Systemet kan inte slås på					Trots att systemet är anslutet till elnätet kan det inte slås på.	Kontrollera om nödstoppet aktiverats och inaktivera om så behövs.



Tryck på PÅ/AV för att återställa ett fel och försök igen.

Kontakta hjälpmedelscentral eller ombud för Invacare om åtgärderna ovan inte avhjälper felet.

8.2 Programmeringsfel

Felkoder visas för felaktig inställning av värden för Program 1 eller 2


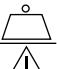
Fel	Display	Ljudsignal	Kommentar
Program 1 eller 2	E40 under 4 sekunder.	2 pip växlande 5 sekunder PÅ, 1 sekund AV	<p>Uppstår vid aktivering av Program 1 eller 2 med felaktiga tidsvärden.</p> <p>Följande kombination av tidsvärden för vänster, höger och horisontell position definieras som felaktiga inställningar:</p> <ul style="list-style-type: none"> - Alla tre tidsvärdena = 0 min - Bara ett tidsvärde > 0 min / två tidsvärden = 0 min -Om du väljer 0 min för en sida och väljer samma sida för att börja.

9 Teknisk Data

9.1 Egenskaper

Automatisk användning	ja
Maximal vinkel i manuellt driftsläge	80°
Maximal vinkel i automatiskt läge	primärvinge = 40° sekundärvinge = 12°
Vinkelvärden i automatiskt läge	0°–40° (i steg om +/-1°)
Tidsvärden i automatiskt läge	0, 3, 10–180 min (i steg om +/-10 min)

9.2 Vikter

	Maximal brukarvikt (förutsatt att madrassens vikt inte överstiger 20 kg)	165 kg
	Maximal tillåten belastning (inklusive madrass)	185 kg

Vikter för Soft Tilt-komponenter

Komplett (huvudmodul och 4 armar)	31 kg
Arm huvudände (1 del)	3.8 kg
Arm fotände (1 del)	2.6 kg
Huvudmodul	18.2 kg
Elektronikbox	2.5 kg

9.3 Tillåtna madrassstorlekar

Kompatibilitet mellan tjocklek på madrass och sänggrindar



VIKTIGT!

Beroende på om slutanvändaren i en sidoposition ligger på en horisontell vinge (madrassen är horisontell) ELLER om vingen slutanvändaren ligger på är upphöjd till 12°, krävs olika kombinationer av madrasser och sänggrindar (se tillämpligt diagram nedan).

–Slutanvändaren ligger på en horisontell vinge

Tillåten tjocklek på madrassen när slutanvändaren ligger på en horisontell vinge (sekundärvinge = 0°).

Sänggrind	Tjocklek på madrass
Ane/ Ane(83/85)	10–14 cm
Ane High / Ane High(83/85)	14–24 cm
Freya/Embla	10-13 cm
Freya / Embla forlænget med grindförhöjning monterad för sänggrind*- utökar höjden med 6 cm	11–19 cm
Freya / Embla forlænget med grindförhöjning monterad för sänggrind*- utökar höjden med 10 cm	15-23 cm

*Måste demonteras när sänggrinden är nedfäld och slutanvändaren ska förflytta sig ur sängen.

IVCNORBE221119

–Slutanvändaren ligger på en upphöjd vinge

Tillåten tjocklek på madrassen när slutanvändaren ligger på en vinge höjd upp till 12° (sekundärvinge = 1–12°).

Sänggrind	Tjocklek på madrass
Ane High / Ane High(83/85)	14–18 cm
Freya / Embla forlænget med grindförhöjning monterad för sänggrind*- utökar höjden med 6 cm	11–13 cm
Freya / Embla forlænget med grindförhöjning monterad för sänggrind*- utökar höjden med 10 cm	15-17 cm

*Måste demonteras när sänggrinden är nedfäld och slutanvändaren ska förflytta sig ur sängen.

Madrassbredd och -längd beroende på sängbredd och sidoräcke

Sänggrind	Tillåten madrassbredd	Min. längd	Sängbredd
Ane (83/85) / Ane High (83/85)	83–85 cm	200 cm	90 cm
Ane / Ane High / Freya / Embla / Freya / Embla med grindförhöjning monterad för sänggrind*- utökar höjden med 6 cm Freya / Embla med grindförhöjning monterad för sänggrind*- utökar höjden med 10 cm	88-90 cm		



En profilskuren madrass rekommenderas.





9.4 Omgivningsförhållanden

	Förvaring och transport	Drift
Temperatur	-10 °C till +50 °C	+5 °C till +40 °C
Relativ luftfuktighet	20 % til 75 %	
Atmosfäriskt tryck	800 hPa til 1060 hPa	



Tänk på att när en säng har förvarats i låga temperaturer måste den anpassas till driftförhållandena före användning.

9.5 Elektriskt system

Strömförsörjning: Uin 230 Volt, växelström 50/60 Hz
Maximal ingångsström: lin max 1,5 A
Intermittent (periodisk motoranvändning): Int = Max 10 %, 2 min PÅ / 18 min AV
Isoleringsklass: KLASS II 
Patientansluten del typ B  Den patientanslutna delen uppfyller kraven för skydd mot elektriska stötar i enlighet med IEC60601-1. (En patientansluten del är en del av den medicinska utrustningen som är avsedd att ha fysisk kontakt med patienten eller en del som sannolikt kommer i kontakt med patienten.)
Batterityp: LP 12-0.8 (12 V 0.8AH) Förslutet blybatteri   Konstant spänningsladdning <ul style="list-style-type: none"> • I viloläge: 13.5-13.8 V • Cykelanvändning: 14.4-15.0 V • Startström: Under 0,24 A
Ljudnivå: 58,5 dB(A)
Skyddsklass: IPx6* eller IP66** Huvudmodulen, ställdon och manöverdosa är skyddade enligt IPx6. Elektronikboxen är skyddad enligt IP66.

IPX6-klassificering innebär att det elektriska systemet skyddat mot kraftiga vattenstrålar från alla riktningar (ej högtryck).

**IP66-klassificering innebär att det elektriska systemet skyddat mot kraftiga vattenstrålar från alla riktningar och helt skyddade mot damm och andra partiklar, inklusive en vakuumtätning.

10 Elektromagnetisk kompatibilitet (EMC)

10.1 Allmän EMC-information

Medicinsk elektrisk utrustning måste installeras och användas i enlighet med EMC-informationen i den här manualen.

Denna produkt har testats och bekräftats uppfylla de EMC-gränser som anges av IEC/EN 60601-1-2 för utrustning tillhörande klass B.

Bärbar och mobil kommunikationsutrustning som använder RF kan påverka driften av denna produkt.

Andra enheter kan störas även av de lägsta nivåerna av elektromagnetisk strålning som tillåts av ovan nämnd standard. För att fastställa om utstrålning från denna produkt orsakar störningar, starta produkten och stäng av den. Om störningarna upphör för de andra enheterna är det denna produkt som orsakar störningarna. I sådana sällsynta fall kan störningen minskas eller åtgärdas på följande sätt:

- Placera om, flytta eller öka avståndet mellan enheterna.

10.2 Elektromagnetisk strålning

Riktlinjer och tillverkarens deklARATION

Denna produkt är avsedd för användning i den elektromagnetiska miljö som anges nedan. Kunden eller användaren av denna produkt måste försäkra sig om att den används i en sådan miljö.


Strålningstest	Överensstämmelse	Elektromagnetisk miljö – riktlinjer
RF-strålning CISPR 11	Grupp I	Denna produkt använder endast RF-energi för sin interna funktion. Därför är dess RF-strålning mycket låg och orsakar sannolikt ingen interferens hos närliggande elektronisk utrustning.
RF-strålning CISPR 11	Klass B	Denna produkt är lämplig för användning i alla institutioner inklusive boenden och platser som är direkt anslutna till det allmänna lågspänningsnätet som förser byggnader med el för hushållsändamål.
Harmonisk utstrålning IEC 61000-3-2	Klass A	
Spänningsvariationer/flimmerutstrålning IEC 61000-3-3	Överensstämmer	

10.3 Elektromagnetisk integritet

Riktlinjer och tillverkarens deklARATION

Denna produkt är avsedd för användning i den elektromagnetiska miljö som anges nedan. Kunden eller användaren av denna produkt måste försäkra sig om att den används i en sådan miljö.

Immunitetstest	Test / Nivå på överensstämmelse	Elektromagnetisk miljö – riktlinjer
Elektrostatisk urladdning (ESD) IEC 61000-4-2	± 8kV kontakt ± 2 kV, ± 4 kV, ± 8 kV, 15 kV luft	Golv ska vara av trä, betong eller keramik. Om golven är täckta av syntetmaterial ska den relativa luftfuktigheten vara minst 30 %.
Elektrostatiska transienter/pulsskurar IEC 61000-4-4	± 2 kV för elnätsledning; 100 kHz repetitionsfrekvens ± 1 kV för ledningar in/ut; 100 kHz repetitionsfrekvens	Kvaliteten på nätströmmen ska vara likvärdig med den i en typisk kommersiell miljö eller sjukhusmiljö.
Överspänning IEC 61000-4-5	± 1 kV ledning till ledning ± 2 kV ledning till jord	Kvaliteten på nätströmmen ska vara likvärdig med den i en typisk kommersiell miljö eller sjukhusmiljö.

Immunitetstest	Test / Nivå på överensstämmelse	Elektromagnetisk miljö – riktlinjer
Spänningsfall, korta avbrott och spänningsvariationer i elnätets ingångsledningar IEC 61000-4-11	< 0 % U_T för 0,5 cykel vid steg på 45° 0 % U_T för 1 cykel 70 % U_T för 25 / 30 cykler < 5 % U_T för 250 / 300 cykler	Kvaliteten på nätströmmen ska vara likvärdig med den i en typisk kommersiell miljö eller sjukhusmiljö. Om användaren av denna produkt behöver kontinuerlig användning under strömavbrott på elnätet, rekommenderas att produkten drivs från en UPS-enhet eller ett batteri. U_T är nätspänningen innan testnivån tillämpas.
Strömfrekvensens (50/60 Hz) magnetfält IEC 61000-4-8	30 A/m	Strömfrekvensens magnetfält ska vara på normala nivåer för en typisk placering i en typisk kommersiell miljö eller sjukhusmiljö.
Ledningsbunden RF IEC 61000-4-6	3 V 150 kHz till 80 MHz 6 V i banden för ISM- och amatörradio	Fältstyrkor från fasta sändare, t.ex. basstationer för radiotelefoner (mobila/trådlösa) och landmobilradio, amatörradio, AM- och FM-radiosändningar och TV-sändningar, kan inte med säkerhet förutsägas teoretiskt. För att utvärdera den elektromagnetiska miljön med avseende på fasta RF-sändare ska en elektromagnetisk platsundersökning övervägas. Om den uppmätta fältstyrkan på den plats där produkten används överskrider ovanstående tillämpliga nivåer för överensstämmelse med RF-krav, ska produkten observeras för att verifiera normal drift. Om onormala prestanda iaktas kan ytterligare åtgärder vara nödvändiga, såsom att produkten förflyttas eller vänds. Interferens kan förekomma i närheten av utrustning som är markerad med följande symbol:
Utstrålad RF IEC 61000-4-3	10 V/m 80 MHz till 2,7 GHz För testspecifikationerna för 385 MHz–5785 MHz för integritet gentemot trådlös kommunikationsutrustning med RF, se tabell 9 i IEC 60601-1-2:2014	 Bärbar och mobil kommunikationsutrustning med RF bör inte användas inom ett avstånd på 30 cm från någon del av denna produkt, inklusive kablar.

 Dessa riktlinjer gäller kanske inte i alla situationer. Elektromagnetisk utbredning påverkas av absorption och reflektion från byggnader, föremål och människor.

10. 3.1 Testspecifikationer för immunitet mot RF trådlös kommunikationsutrustning

IEC 60601-1-2:2014 — Tabell 9

Testfrekvens (MHz)	Band ^{a)} (MHz)	Service ^{a)}	Modulation ^{b)}	Maximum effekt (W)	Avstånd (m)	Immunitetstestnivå (V/m)
385	380 - 390	TETRA 400	Pulsmodulation ^{b)} 18 Hz	1,	0,	27
450	430 - 470	GMRS 460, FRS 460	FM ^{c)} ± 5 kHz avvikelse 1 kHz sine	2	0,	28
710 745 780	704 - 780	LTE Band 13,17	Pulsmodulation ^{b)} 217 Hz	0,2	0,	9
810 870 930	800 - 960	GSM 800/900, TETRA 800, iDEN 820, CDMA 850, LTE Band 5	Pulsmodulation ^{b)} 18 Hz	2	0,	28

Testfrekvens (MHz)	Band ^{a)} (MHz)	Service ^{a)}	Modulation ^{b)}	Maximum effekt (W)	Avstånd (m)	Immunitetstestnivå (V/m)
1720 1845 1970	1700 - 1990	GSM 1800; CDMA 1900; GSM 1900; DECT; LTE Band 1, 3, 4, 25; UMTS	Pulsmodulation ^{b)} 217 Hz	2	0,	28
2450	2400 - 2570	Bluetooth, WLAN, 802.11 b/g/n, RFID 2450, LTE Band 7	Pulsmodulation ^{b)} 217 Hz	2	0,	28
5240 5500 5785	5100 - 5800	WLAN 802.11 a/n	Pulsmodulation ^{b)} 217 Hz	0,2	0,	9



För att uppnå immunitetstestnivå kan avståndet mellan sändarens antenn och den medicinsktekniska utrustningen eller system kan minskas till 1 m. Testavståndet på 1 m godkänns av IEC 61000-4-3.

- a) För vissa tjänster ingår endast upplänkfrekvenserna.
- b) Bäraren ska moduleras med hjälp av en fyrkantsvågssignal på 50%.
- c) Som ett alternativ till FM-modulering kan 50% pulsmodulering vid 18 Hz användas eftersom trots att den inte representerar faktisk modulering skulle den vara värsta fall.

Danmark:

Invacare A/S
Sdr. Ringvej 37
DK-2605 Brøndby
Tel: (45) (0)36 90 00 00
Fax: (45) (0)36 90 00 01
denmark@invacare.com
www.invacare.dk

Sverige:

Invacare AB
Fagerstagatan 9
S-163 53 Spånga
Tel: (46) (0)8 761 70 90
Fax: (46) (0)8 761 81 08
sweden@invacare.com
www.invacare.se

Suomi:

Camp Mobility
Patamäenkatu 5, 33900
Tampere
Puhelin 09-35076310
info@campmobility.fi
www.campmobility.fi

Nederland:

Invacare BV
Galvanistraat 14-3
NL-6716 AE Ede
Tel: (31) (0)318 695 757
Fax: (31) (0)318 695 758
nederland@invacare.com
www.invacare.nl

Norge:

Invacare AS
Grensesvingen 9, Postboks
6230, Etterstad
N-0603 Oslo
Tel: (47) (0)22 57 95 00
Fax: (47) (0)22 57 95 01
norway@invacare.com
www.invacare.no



GDV Technology A/S
Værkstedsgården 15, st. th.
2620 Albertslund
Denmark

