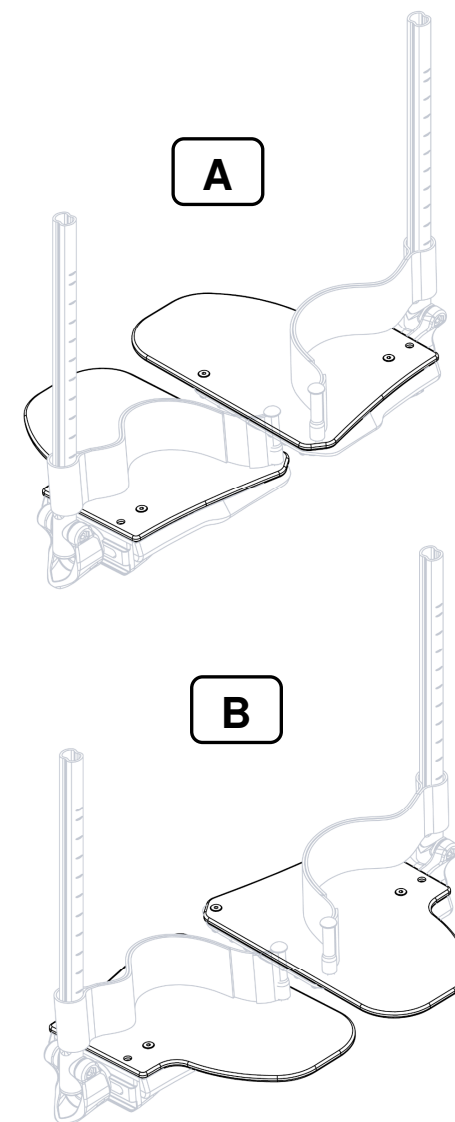
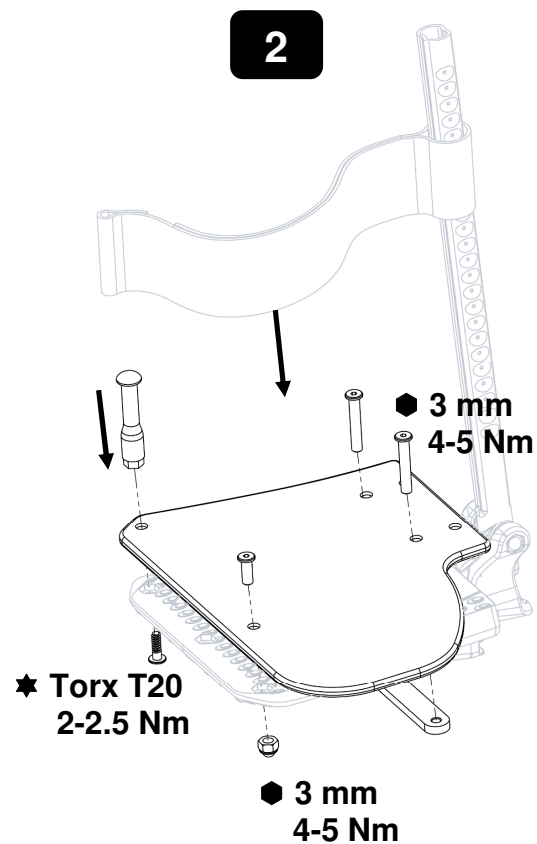
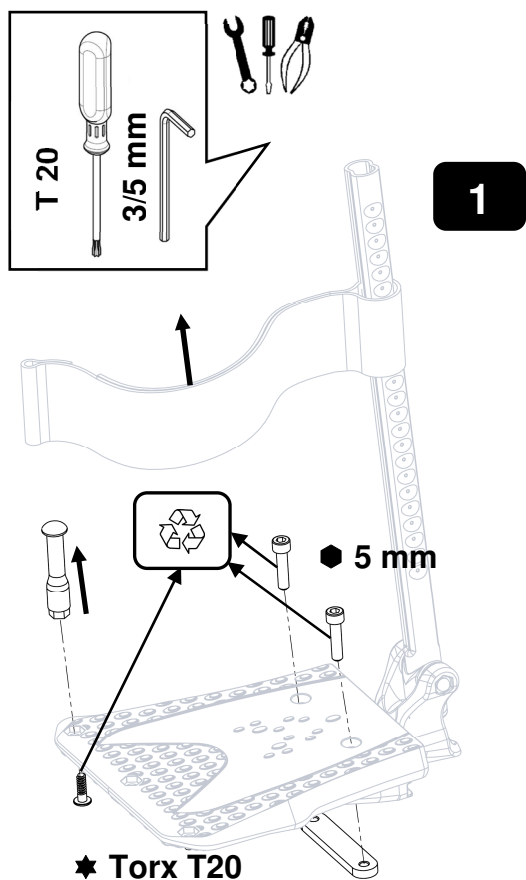


SP60128964 x 2 = 340, 390, 440 mm
 SP60128965 x 2 = 440, 490 mm

Rea® Azalea®/Dahlia®/Clematis® Pro



Invacare France Operations SAS
 Route de St Roch
 37230 Fondettes, France

