

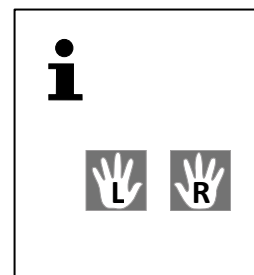
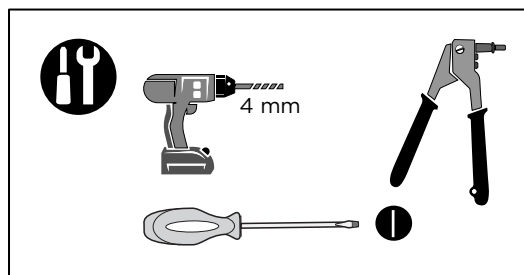
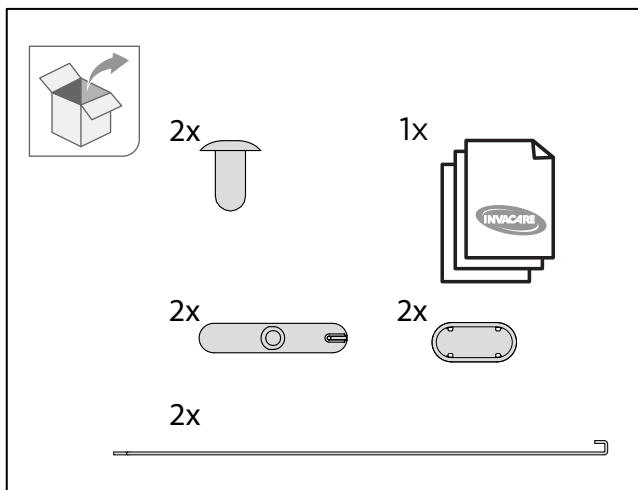
Mounting Instruction

Release system kit for Embla & Line siderails

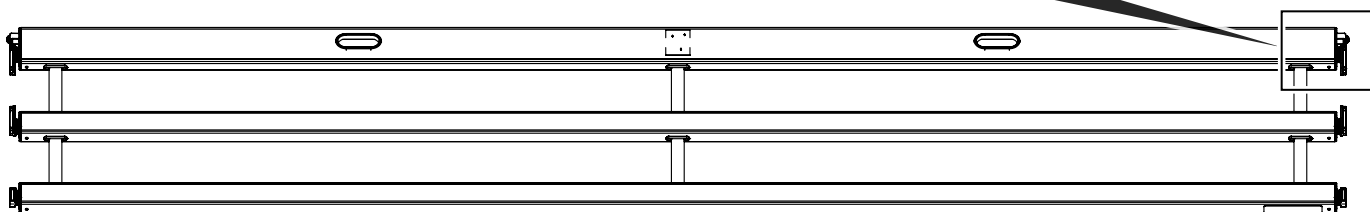
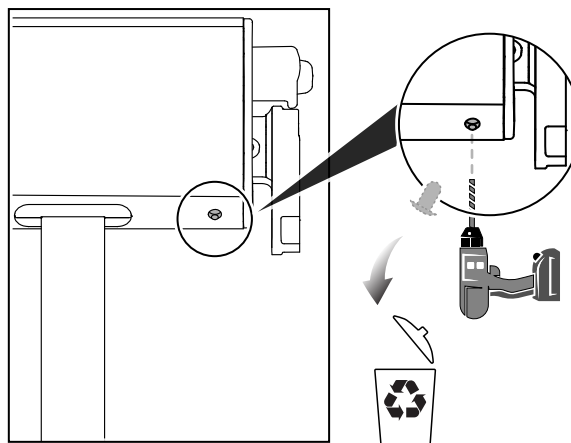
Invacare® Etude Plus

Invacare® SB755™

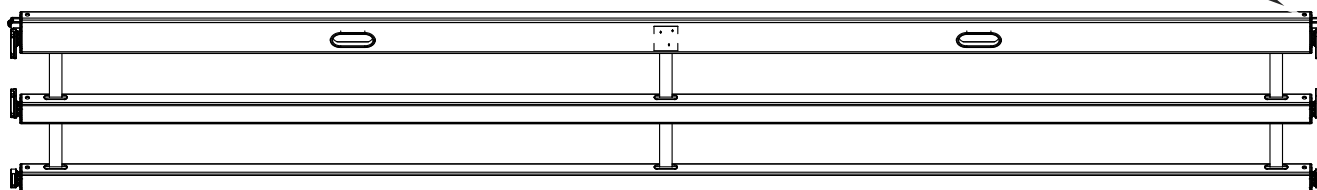
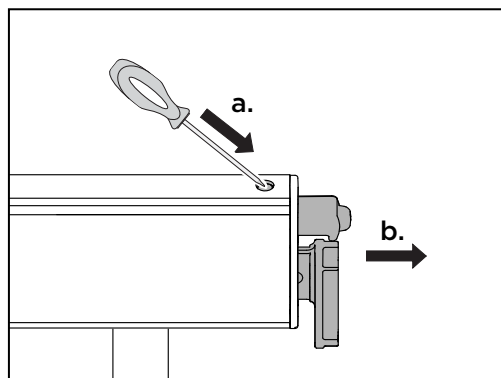
Invacare® NordBed™ Ultra



1.



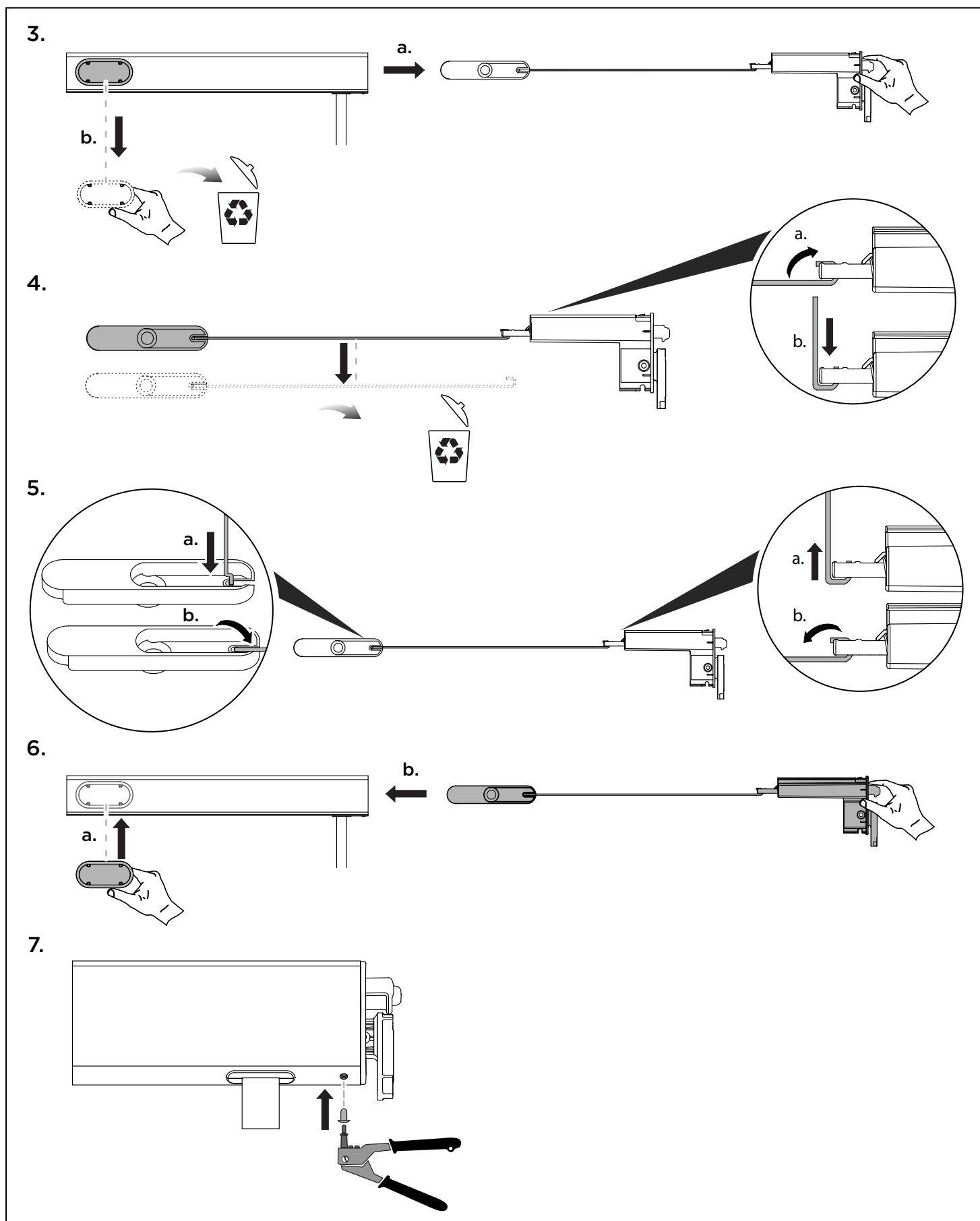
2.



Invacare Rea AB
Växjövägen 303
SE-343 71 Diö
Sweden



Release system kit for Embla & Line siderails



Invacare Rea AB
Växjövägen 303
SE-343 71 Diö
Sweden

