

# Spare Parts Catalogue

---

Version: 2015/05/18a NO

*Aquatec® Ocean*





**Yes, you can.®**

## **General Information**

*For any order of spare parts the following information is required:*

- Product type*
- Product name & model*
- Serial Number*
- Part-Number*
- Part-Description*

*Exploded view drawings and code numbers are not contractual and subject to modification, in relation to Invacare® continuous product improvement policy to meet end users needs.*

*The reproduction or use of this work, or of any substantial part of this work, in any form or by any electronic, mechanical or other means, including photocopying, scanning and recording, and in any information storage and retrieval system, including electronic transmission, is forbidden without the prior written permission of Invacare® International Sarl.*



**Yes, you can.®**

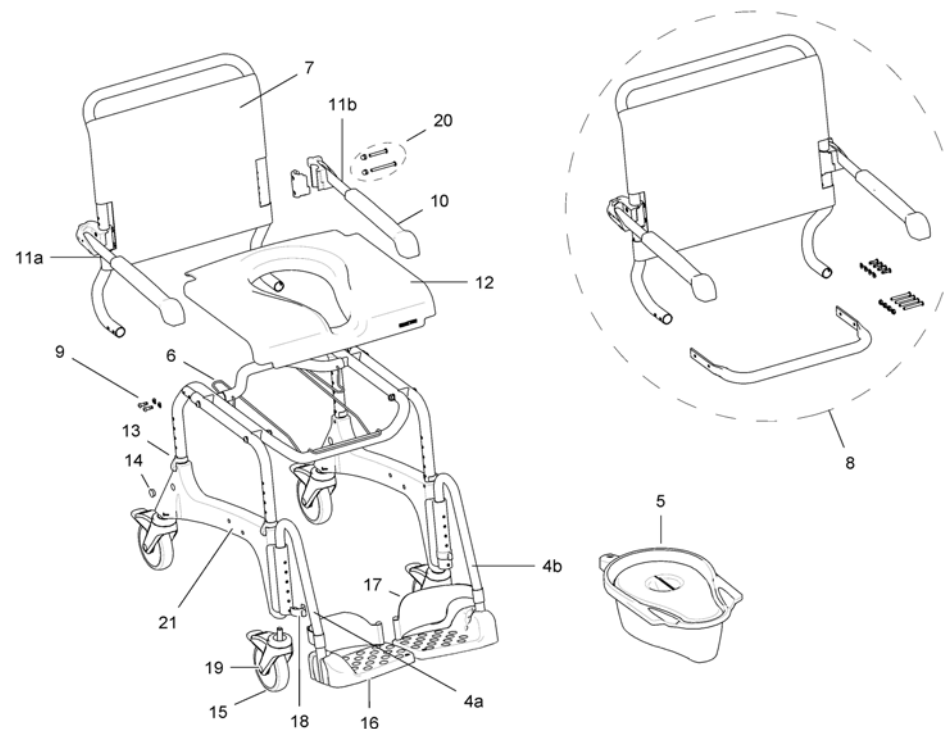
## **TABLE OF CONTENTS**

---

Reservedeler Ocean XL 08/2012=> .....	5
Reservedeler 07/2011 => .....	6
Reservedeler => 07/2011 .....	8
Tilbehør 07/2011 => .....	9
Tilbehør .....	10

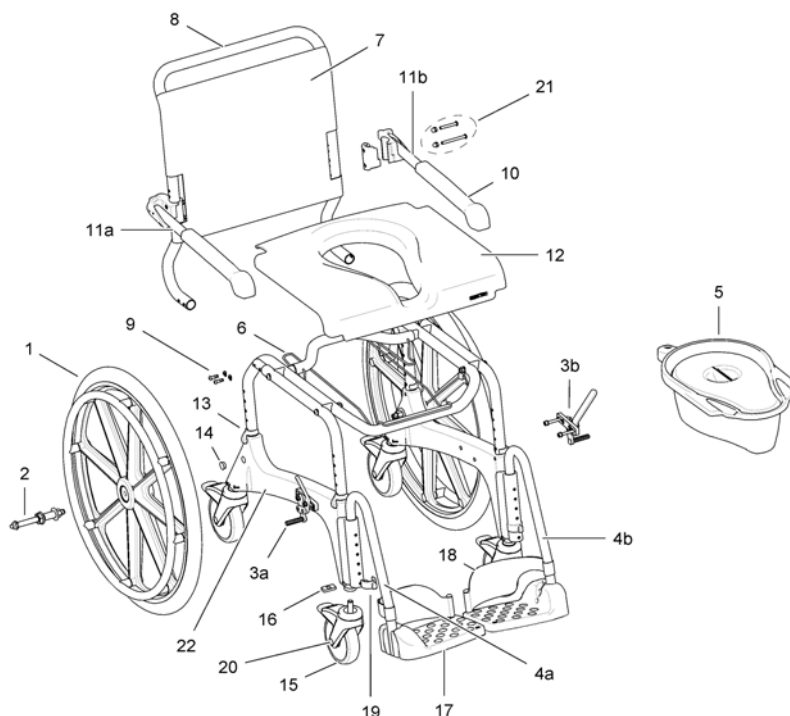


## Reservedeler Ocean XL 08/2012=&gt;



4a	1470696	BENSTØTTE KOMPLETT HØ OCEAN VIPP	1
4b	1470695	BENSTØTTE KOMPLETT VE OCEAN VIPP	1
5	10230	BEKKEN M LOKK PLAST OCEAN ALLE LAGUNA	1
	1541289	(Lid for pan Ocean, Ocean VIP, XL)	1
6	1527985	BEKKENHOLDER TIL 1534327 OCEAN NY TYPE	1
7	1527988	RYGGTREKK JUSTERBART AQUATEC OCEAN XL	1
8	1534979	RYGG XL OCEAN OG OCEAN XL	1
		<i>old version / attachment from side - Until SN XL (000014541064) Ocean (000014551780)</i>	
8	1558847	(Ocean XL Backrest for Facelift)	1
		<i>New Version / Attachment from underneath - From SN XL (000014541065) Ocean (000014551781)</i>	
9	1542900	(Attachment parts Backrest Ocean Facelift)	1
10	16472	ARMLENSPUTE OCEAN OCEAN	2
11a	1470693	ARMLEN RETT HØYRE KOMPL OCEAN VIP	1
11b	1470694	ARMLEN RETT VENSTRE KPL OCEAN VIP	1
12	16262	SETE AQUATEC OCEAN	1
13	16256	LÅSEKLIPS HØYDEREG AQUATEC OCEAN	4
14	16258	PLUGG AQUATEC OCEAN	1
15	16259	HJUL 5" M BREMS, RØD. OCEAN OG OCEAN VIPP	4
16	1470689	FOTBRETT DUSJ/TOASTOL AQUATEC OCEAN VIP	2
17	16334	HÆLSTROPP PAR DUSJ/TOASTOL OCEAN	2
	1536056	(PEG, HEEL STRAP)	1
	1536057	(Screw (A2KV) K50x16 for Heel loop)	1
18	16333	LÅSEKLIPS FOTSTØTTE DUSJ/TOASTOL OCEAN	2
19	1513809	(Cover cap for 5" wheel for Ocean Ocean Vip, Ocean Dual Vip, Ocean E-Vip)	4
20	1471052	(Screws (set) for armrest Ocean/ Ocean Vip)	2
21	16737	(side part with wheels Aquatec Ocean new design)	2
		<i>&lt; serial number 14430335 please change two sideparts due to new design</i>	
	16278	(Operating instruction Aquatec Ocean)	1

# Reservedeler 07/2011 =>

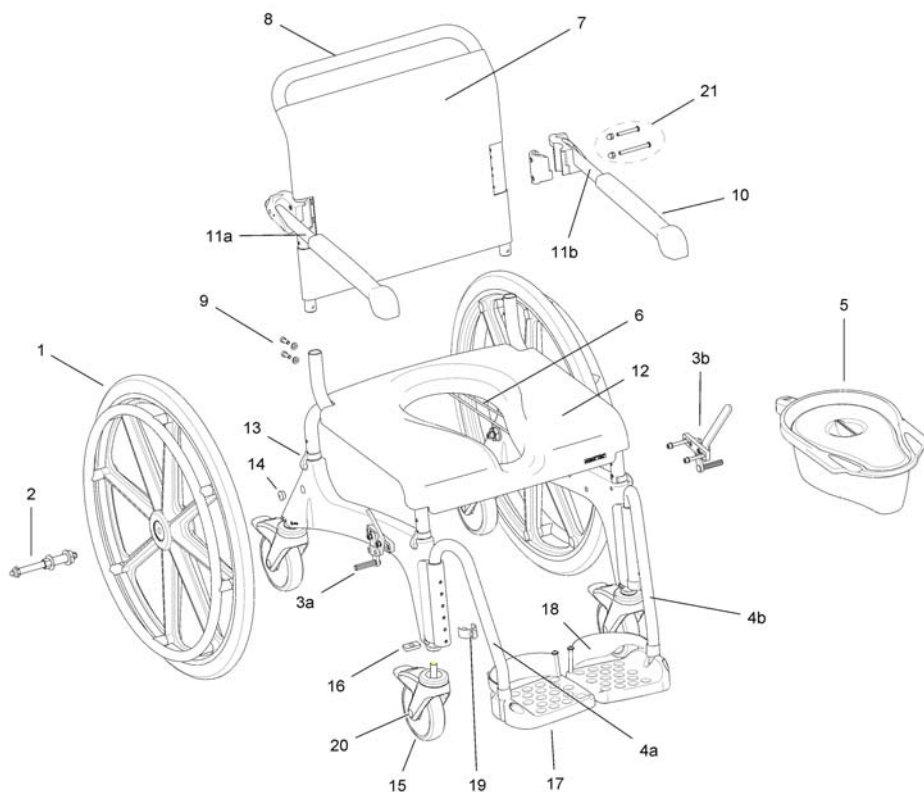


1	16336	DRIVHJUL 24 OCEAN	2
2	16418	AKSEL DRIVHJUL Q RELEASE OCEAN MOBIL SETT	1
3a	16340	BREMS HØ OCEAN	1
3b	16339	BREMS VE OCEAN	1
1+2+3 a+3b	16379	DRIVHJUL 24 SETT OCEAN	1
4a	1470696	BENSTØTTE KOMPLETT HØ OCEAN VIPP	1
4b	1470695	BENSTØTTE KOMPLETT VE OCEAN VIPP	1
5	10230	BEKKEN M LOKK PLAST OCEAN ALLE LAGUNA	1
	1541289	(Lid for pan Ocean, Ocean VIP, XL)	1
6	1527985	BEKKENHOLDER TIL 1534327 OCEAN NY TYPE	1
7	1528289	RYGGTREKK JUSTERBART Ocean	1
7	1527988	RYGGTREKK JUSTERBART AQUATEC OCEAN XL	1
8	1528025	(Backrest w/o armr.+cover Ocean Facelift)	1
8	1534979	RYGG XL OCEAN OG OCEAN XL	1
9	1542900	(Attachment parts Backrest Ocean Facelift)	1
10	16472	ARMLENSPUTE OCEAN OCEAN	2
11a	1470693	ARMLEN RETT HØYRE KOMPL OCEAN VIP	1
11b	1470694	ARMLEN RETT VENSTRE KPL OCEAN VIP	1
12	16262	SETE AQUATEC OCEAN	1
13	16256	LÅSEKLIPS HØYDEREG AQUATEC OCEAN	4
14	16258	PLUGG AQUATEC OCEAN	1
15	16259	HJUL 5" M BREMS, RØD. OCEAN OG OCEAN VIPP	4
16	16721	LÅSEMUTTER FOR HJUL AQUA OCEAN	4
17	1470689	FOTBRETT DUSJTOASTOL AQUATEC OCEAN VIP	2
18	16334	HÆLSTROPP PAR DUSJ/TOASTOL OCEAN	2
19	16333	LÅSEKLIPS FOTSTØTTE DUSJ/TOASTOL OCEAN	2
20	1513809	(Cover cap for 5" wheel for Ocean Ocean Vip, Ocean Dual Vip, Ocean E-Vip)	4
21	1471052	(Screws (set) for armrest Ocean/ Ocean Vip)	1
22	16737	(side part with wheels Aquatec Ocean new design)	2

< serial number 14430335 please change two sideparts due to new design

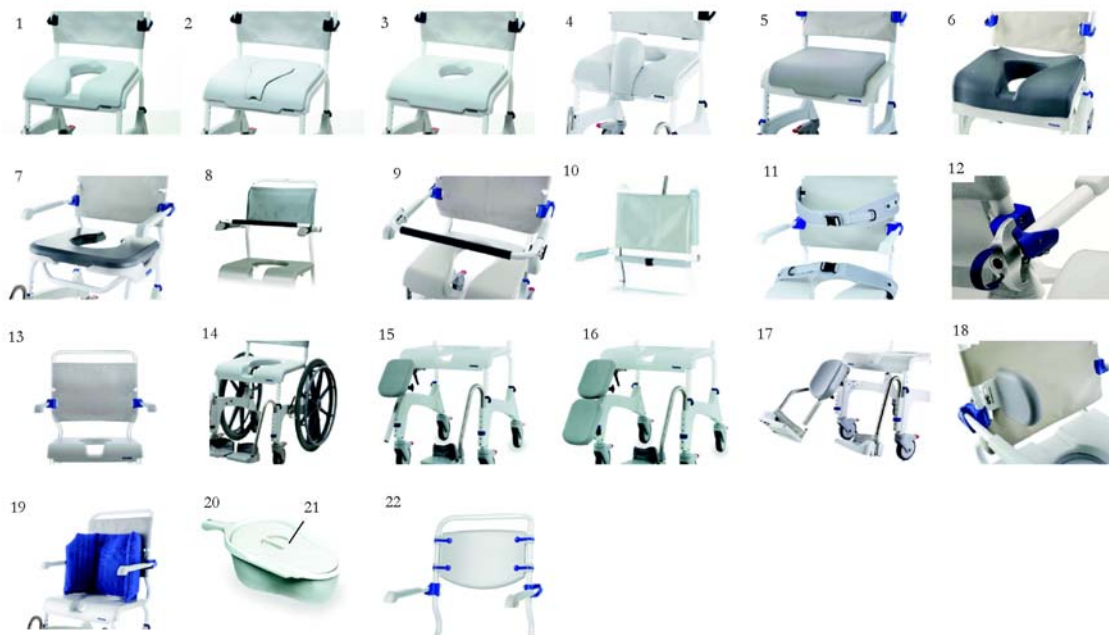


# Reservedeler => 07/2011



1	16336	DRIVHJUL 24 OCEAN	1
3b	16339	BREMS VE OCEAN	1
1+2+3 a+3b	16379	DRIVHJUL 24 SETT OCEAN	1
2	16418	AKSEL DRIVHJUL Q RELEASE OCEAN MOBIL SETT	1
3a	16340	BREMS HØ OCEAN	1
4b	16432	BENSTØTTE KOMPLETT VE OCEAN	1
4a	16433	BENSTØTTE KOMPLETT HØ OCEAN	1
5	10230	BEKKEN M LOKK PLAST OCEAN ALLE LAGUNA	1
6	16335	BEKKENHOLDER OCEAN IKKE OCEAN VIP	1
	16278	(Operating instruction Aquatec Ocean)	1
7	16257	\$ bruk 1528289 RBART AQUATEC OCEAN	1
8	16377	RYGG OCEAN INKL ARMLEN	1
9	16434	MONTERINGSSETT FOR RYGG OCEAN VIPP	1
	16737	(side part with wheels Aquatec Ocean new design)	1
20	1513809	(Cover cap for 5" wheel for Ocean Ocean Vip,Ocean Dual Vip,Ocean E-Vip)	1
21	1471052	(Screws (set) for armrest Ocean/ Ocean Vip)	1
10	16472	ARMLENSPUTE OCEAN OCEAN	1
11b	16265	ARMLEN RETT VENSTRE KPL OCEAN	1
11a	16263	ARMLEN RETT HØYRE KOMPL OCEAN	1
12	16262	SETE AQUATEC OCEAN	1
13	16256	LÅSEKLIPS HØYDEREG AQUATEC OCEAN	1
14	16258	PLUGG AQUATEC OCEAN	1
15	16259	HJUL 5" M BREMS,RØD.OCEAN OG OCEAN VIPP	1
16	16721	LÅSEMUTTER FOR HJUL AQUA OCEAN	1
17	16260	FOTPLATE AQUATEC OCEAN	1
18	16334	HÆLSTROPP PAR DUSJ/TOASTOL OCEAN	1
19	16333	LÅSEKLIPS FOTSTØTTE DUSJ/TOASTOL OCEAN	1
	1541289	(Lid for pan Ocean, Ocean VIP, XL)	1





1	16341	SETE MYKT INTIMHULL OCEAN OCEAN E-VIP	1
2	16343	SETEKLOSS TIL MYKSETE HYGIENEUTSKJÆRING OCEAN	1
3	16342	SETE MYKT OVALT HULL OCEAN	1
4	16511	SPRUTBESKYTTER OCEAN	1
5	1526032	SETE MYKT UTEN HULL OCEAN ALLE TYPER OG PICO	1
6	1531259	SETE SOFT ERGONOMISK INTIMHULL VIP OG E-VIP	1
7	1544469	MYKSETE VARIABELT KPL OCEAN SERIEN	1
8	10167-10	SIKKERHETSBOYLE DUSJ/TOALETSTOL OCEAN	1
9	1470078	SIKKERHETSBOYLE BUET OCEAN XL ALLE TYPER	1
10	1451959	SIKKERHETSBELTE OCEAN	1
11	1470081	BRYSTBELTE ALLE OCEAN 98-110 CM AQUATEC	1
11	1470082	BEKKENBELTE ALLE OCEAN 98-110 CM AQUATEC	1
12	1470077	LÅS ARMLEN OCEAN VIP AQUATEC	1
13	1534979	RYGG XL OCEAN OG OCEAN XL	1
14	16379	DRIVHJUL 24 SETT OCEAN	1
15	16616	AMPUTASJONSSTØTTE OCEAN (PASSER HØ/VE)	1
15	1556894	AMPUTASJONSSTØTTE VE OCEAN	1
15	1556893	AMPUTASJONSSTØTTE HØ OCEAN	1
16	16615	LEGGSTØTTE OCEAN (PASSER HØ/VE)	1
17	1546705	BENSTØTTE VREG KPL VE ALLE OCEAN	1
17	1546439	BENSTØTTE VREG KPL HØ ALLE OCEAN	1
18	1535077	SIDESTØTTE OCEAN M.FESTE OCEAN STK	1
19	1558769	RYGGPUTE MYK OCEAN SERIEN BLÅ	1
20	10230	BEKKEN M LOKK PLAST OCEAN ALLE LAGUNA	1
21	1541289	(Lid for pan Ocean, Ocean VIP, XL)	1
22	1575299	FAST RYGG OCEAN NY APRIL 2015	1
	1527985	BEKKENHOLDER TIL 1534327 OCEAN NY TYPE	1

**Tilbehør**

1	16341	SETE MYKT INTIMHULL OCEAN OCEAN E-VIP	1
2	16343	SETEKLOSS TIL MYKSETE HYGIENEUTSKJÆRING OCEAN	1
3	16342	SETE MYKT OVALT HULL OCEAN	1
4	1526032	SETE MYKT UTEN HULL OCEAN ALLE TYPER OG PICO	1
5	16511	SPRUTBESKYTTER OCEAN	1
6	10167-10	SIKKERHETSBØYLE DUSJ/TOALETSTOL OCEAN	1
7	1470078	SIKKERHETSBØYLE BUET OCEAN XL ALLE TYPER	1
8	1451959	SIKKERHETSBELTE OCEAN	1
9	1470081	BRYSTBELTE ALLE OCEAN 98-110 CM AQUATEC	1
9	1470082	BEKKENBELTE ALLE OCEAN 98-110 CM AQUATEC	1
10	16597	LÅS ARMLEN PAR OCEAN	1
11	1471116	(Upgrade Aquatec Ocean XL: without backrest, armrest extension (pair) - weight capacity 150 kg, (from 04/06))	1
12	16379	DRIVHJUL 24 SETT OCEAN	1
13	16616	AMPUTASJONSSTØTTE OCEAN (PASSER HØ/VE)	1
14	16615	LEGGSTØTTE OCEAN (PASSER HØ/VE)	1
15	1535077	SIDESTØTTE OCEAN M.FESTE OCEAN STK	1
16	10230	BEKKEN M LOKK PLAST OCEAN ALLE LAGUNA	1
17	1541289	(Lid for pan Ocean, Ocean VIP, XL)	1
	16335	BEKKENHOLDER OCEAN IKKE OCEAN VIP	1





Yes, you can.®



---

**Belgium & Luxemburg:**

Invacare nv, Autobaan 22, B-8210 Loppem  
Tel: (32) (0)50 83 10 10, Fax: (32) (0)50 83 10 11  
belgium@invacare.com / www.invacare.be

**Denmark:**

Invacare A/S, Sdr. Ringvej 37, DK-2605 Brøndby  
Tel: (45) (0)36 90 00 00, Fax: (45) (0)36 90 00 01  
denmark@invacare.com / www.invacare.dk

**Deutschland:**

Invacare Aquatec GmbH, Alemannenstraße 10, D-88316 Isny  
Tel: (49) (0)75 62 7 00 0, Fax: (49) (0)75 62 7 00 66  
info@invacare-aquatec.com / www.invacare-aquatec.de

**European Distributor Organisation:**

Invacare, Kleiststraße 49, D-32457 Porta Westfalica  
Tel: (49) (0)57 31 754 540, Fax: (49) (0)57 31 754 541  
edo@invacare.com / www.invacare.eu.com

**España:**

Invacare SA, c/Areny s/n, Polígon Industrial de Celrà, E-17460 Celrà (Girona)  
Tel: (34) (0)972 49 32 00, Fax: (34) (0)972 49 32 20  
contactsp@invacare.com / www.invacare.es

**France:**

Invacare Poirier SAS, Route de St Roch, F-37230 Fondettes  
Tel: (33) (0)2 47 62 64 66, Fax: (33) (0)2 47 42 12 24  
contactfr@invacare.com / www.invacare.fr

**Ireland:**

Invacare Ireland Ltd, Unit 5 Seatown Business Campus, Seatown Road, Swords, County Dublin - Ireland  
Tel: (353) 1 810 7084, Fax: (353) 1 810 7085  
ireland@invacare.com / www.invacare.ie

**Italia:**

Invacare Mecc San s.r.l., Via dei Pini 62, I-36016 Thiene (VI)  
Tel: (39) 0445 38 00 59, Fax: (39) 0445 38 00 34  
italia@invacare.com / www.invacare.it

**Nederland:**

Invacare BV, Celsiusstraat 46, NL-6716 BZ Ede  
Tel: (31) (0)318 695 757, Fax: (31) (0)318 695 758  
nederland@invacare.com, csede@invacare.com / www.invacare.nl

**Norge:**

Invacare AS, Grensesvingen 9, Postboks 6230, Etterstad, N-0603 Oslo  
Tel: (47) (0)22 57 95 00, Fax: (47) (0)22 57 95 01  
norway@invacare.com, island@invacare.com / www.invacare.no

**Österreich:**

Invacare Austria GmbH, Herzog Odilostrasse 101, A-5310 Mondsee  
Tel: (43) 6232 5535 0, Fax: (43) 6232 5535 4  
info-austria@invacare.com / www.invacare.at

**Portugal:**

Invacare Lda, Rua Estrada Velha, 949, P-4465-784 Leça do Balio  
Tel: (351) (0)225 1059 46/47, Fax: (351) (0)225 1057 39  
portugal@invacare.com / www.invacare.pt

**Sverige & Suomi:**

Invacare AB, Fagerstagatan 9, S-163 91 Spånga  
Tel: (46) (0)8 761 70 90, Fax: (46) (0)8 761 81 08  
sweden@invacare.com, finland@invacare.com / www.invacare.se

**Switzerland:**

Invacare AG, Benkenstrasse 260, CH-4108 Witterswil  
Tel: (41) (0)61 487 70 80, Fax: (41) (0)61 487 70 81  
switzerland@invacare.com / www.invacare.ch

**United Kingdom:**

Invacare Limited, Pencoed Technology Park, Pencoed, Bridgend CF35 5AQ  
Switchboard Tel: (44) (0)1656 776200, Fax: (44) (0)1656 776201  
Customer services Tel: (44) (0)1656 776222, Fax: (44) (0)1656 776220  
uk@invacare.com / www.invacare.co.uk