

Spare Parts Catalogue

Version: 2016/05/12a NO



The K_{SL} by Küschall



Yes, you can.®

General Information

For any order of spare parts the following information is required:

- Product type*
- Product name & model*
- Serial Number*
- Part-Number*
- Part-Description*

Exploded view drawings and code numbers are not contractual and subject to modification, in relation to Invacare® continuous product improvement policy to meet end users needs.

The reproduction or use of this work, or of any substantial part of this work, in any form or by any electronic, mechanical or other means, including photocopying, scanning and recording, and in any information storage and retrieval system, including electronic transmission, is forbidden without the prior written permission of Invacare® International Sarl.



Yes, you can.®

TABLE OF CONTENTS

Informasjon

(Abbreviations)	5
(Frame colours)	6
(CPS colours)	7

Chassis

Chassis	8
(Frame)	9
(Axle tube Carbon)	10

Sete

Sete	11
(Seat cover)	12
(Seat cover light)	14
(Seat cushion standard)	16

Rygg

Rygg	17
(Backrest)	18
(Foldable backrest)	19
(Küschall backrest parts for Matrix backs)	21
(Backrest cover Light)	22
(Backrest cover light)	25
(Bands to adjustable backrest)	27
(Cover to adjustable backrest)	28

Fotplater

Fotplater	30
(Footrest standard)	31
(Footrest standard for adducted frame)	33
(Footrest angle adjustable)	35
(Footrest angle adjustable for adducted frame)	36
(Calf strap)	37

Armlen

Armlen	38
(Clothes-guards)	39
(Mudguards)	40

Svinghjul

Svinghjul	41
(Front forks)	42
(Configuration table for front fork size)	44
(Front wheels)	45

Drivhjul

Drivhjul	47
----------------	----



Yes, you can.®

TABLE OF CONTENTS

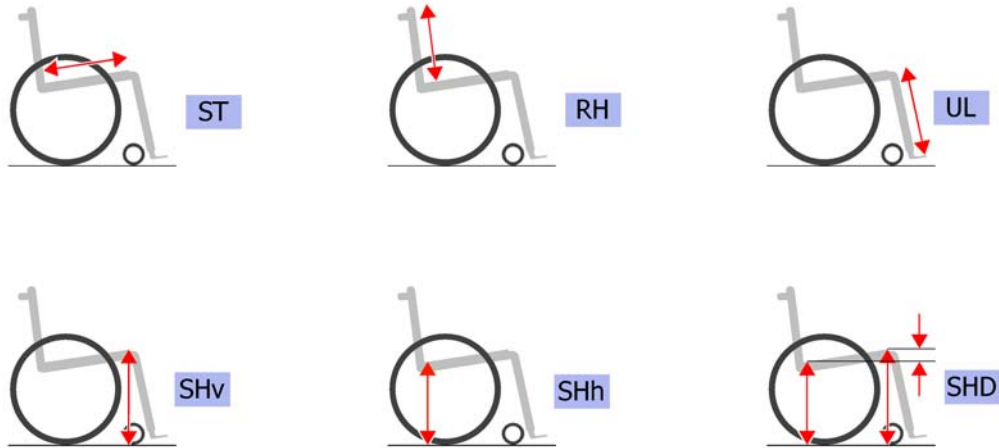
(High Performance wheel)	48
(Mountainbike wheel)	50
(Spinergy wheel)	51
(Spinergy LXX wheel)	52
(Ultra-light fibre wheel)	53
(Hub brake wheel)	54
(Handrim)	55
(Fixation handrim)	56
(Tyre)	57
(Inner tube and rim protector)	58
(Spokes guard)	59
(Quick release axle and bearing)	60

Bremser

Bremser	61
(Brakes)	62

Tilbehør og valg

Tilbehør og valg	63
(Antitipper)	64
(Chair accessories)	65
(Luggage holder)	66
(Winter accessories)	67
(Fixation: screws, ...)	68
(Socket head cap screws)	69
(Countersunk screws)	72
(Button head screws)	74
(Hex-head screws, diverse, ...)	76
(Washers)	78
(Nuts)	80
(Pins, rivets, ...)	82

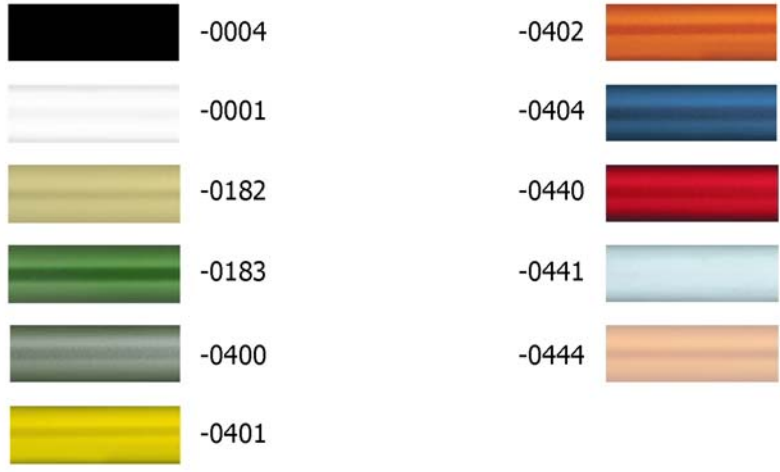


L	-	(Left side (sitting in the wheelchair))	0
R	-	(Right side (sitting in the wheelchair))	0
L+R	-	(Left and right sides (pair))	0
SB	-	(Seat width (2 digits in cm or 3 digits in mm))	0
ST	-	(Seat depth (2 digits in cm or 3 digits in mm))	0
RH	-	(Backrest height (2 digits in cm or 3 digits in mm))	0
UL	-	(Knee-to-heel length (2 digits in cm or 3 digits in mm))	0
SHv	-	(Front seat-to-floor height (2 digits in cm or 3 digits in mm))	0
SHh	-	(Rear seat-to-floor height (2 digits in cm or 3 digits in mm))	0
SHD	-	(Front and rear seat-to-floor height difference (2 digits in cm or 3 digits in mm))	0

(Frame colours)

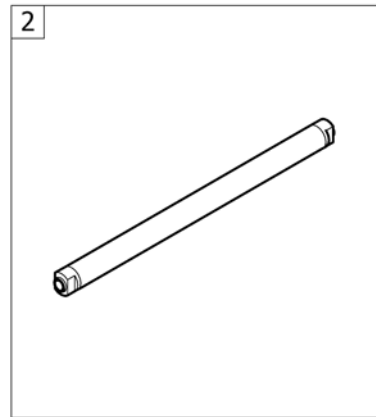
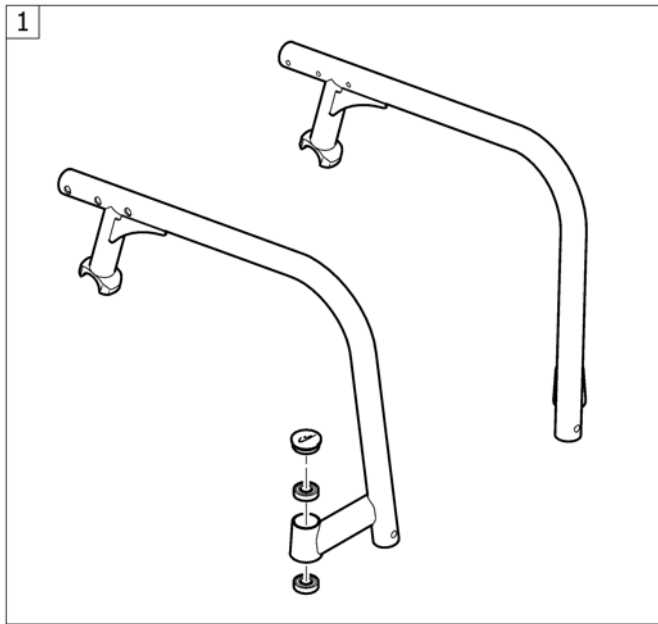


-0121	-	(Color code for black-grey rustico frames)	01.01.2012 → 31.12.2014	0
-0122	-	(Color code for golden beach frames)	01.01.2013 → 31.12.2013	0
-0184	-	(Color code for mercury blue frames)	01.01.2014 →	0
-0185	-	(Color code for dynamite orange frames)	01.01.2014 →	0
-0186	-	(Color code for atomic violet frames)	01.01.2014 →	0
-0187	-	(Color code for nitro pink frames)	01.01.2014 →	0
-0411	-	(Color code for black matt frames)		0
-0419	-	(Color code for silver grey frames)		0
-0442	-	(Color code for night shimmer frames)	01.07.2009 →	0
-0445	-	(Color code for ivory white frames)		0
-0446	-	(Color code for purple fire frames)	01.01.2010 → 31.12.2014	0
-0447	-	(Color code for emerald green frames)	01.01.2010 → 31.12.2012	0
-0448	-	(Color code for midnight blue frames)	01.01.2010 → 31.12.2012	0
-0449	-	(Color code for umber glaze frames)	01.01.2010 → 31.12.2013	0
-0450	-	(Color code for smokey grey frames)	01.01.2010 →	0
-0451	-	(Color code for flashy yellow frames)	01.07.2011 →	0
-3524	-	(Color code for royal red frames)		0
-5969	-	(Color code for royal blue frames)	01.02.2009 → 31.12.2013	0
-9005	-	(Color code for glossy black frames)		0

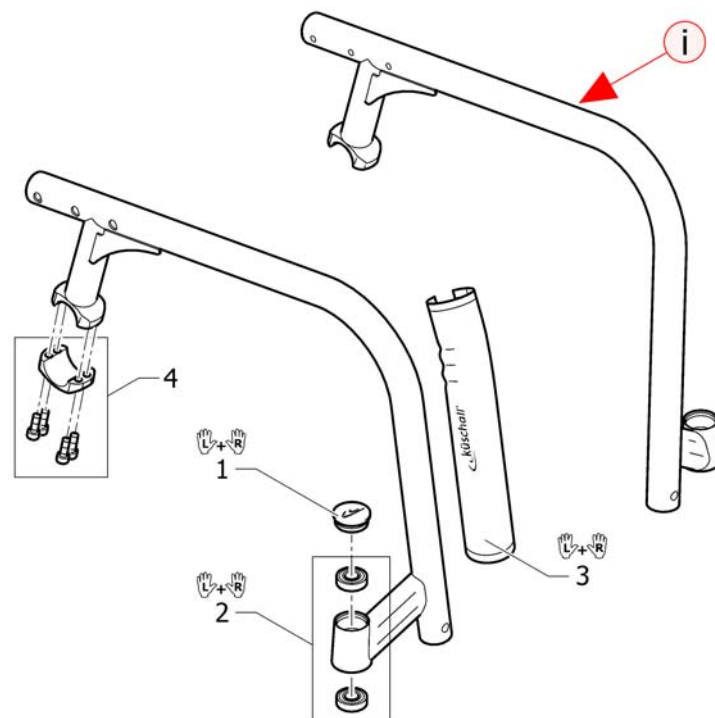


-0004	-	(Color code for black anodized CPS)		0
-0001	-	(Color code for chrome CPS)	01.07.2011 →	0
-0182	-	(Color code for champagne CPS)	01.01.2013 →	0
-0183	-	(Color code for olive CPS)	01.01.2013 →	0
-0400	-	(Color code for techno-anthrazit CPS)		0
-0401	-	(Color code for lemon CPS)	01.02.2009 → 31.12.2012	0
-0402	-	(Color code for apricot CPS)	01.07.2011 → 31.12.2012	0
-0404	-	(Color code for b-blue CPS)		0
-0440	-	(Color code for comet red CPS)		0
-0441	-	(Color code for arctic blue CPS)		0
-0444	-	(Color code for copper glaze CPS)		0

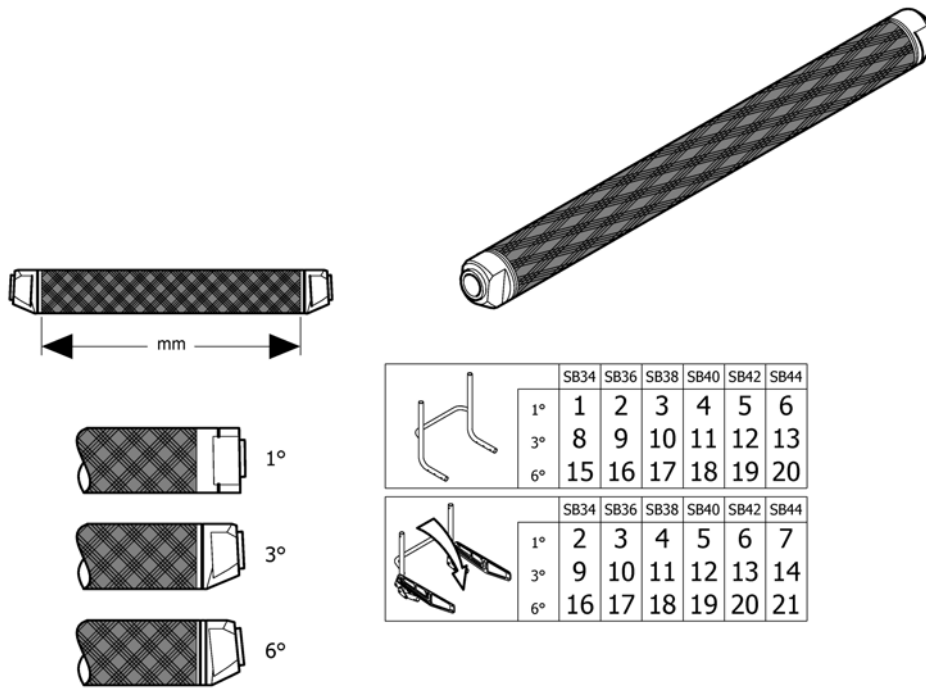
Chassis



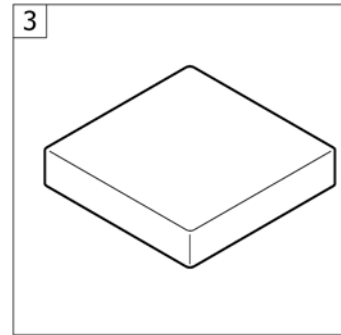
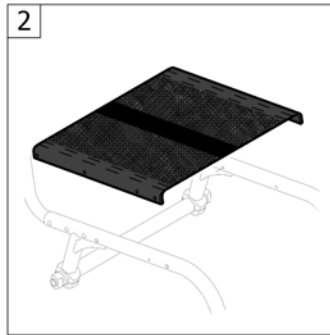
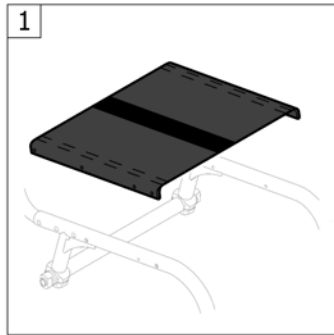
1	-	(Frame)	1
2	-	(Axle tube Carbon)	1



i	ISPDINFC1-0011	(A frame can only be ordered with the wheelchair's serial number. Please contact Küschall customer service.)		0
1	1487961-0004	STØVKAPPE GAFFELHUS SORT KUSCHALL K4 PAR		1
1	1487961-0001	(Bearing block cap pair, chrome)		1
1	1487961-0182	(Bearing block cap pair, champagne)	01.01.2013 →	1
1	1487961-0183	(Bearing block cap pair, olive)	01.01.2013 →	1
1	1487961-0400	(Bearing block cap pair, techno-anthrazit)		1
1	1487961-0401	(Bearing block cap pair, lemon)	01.02.2009 → 31.12.2012	1
1	1487961-0402	(Bearing block cap pair, apricot)	01.07.2011 → 31.12.2012	1
1	1487961-0404	STØVKAPPE GAFFELHUS BLÅ KUSCHALL K4 PAR		1
1	1487961-0440	(Bearing block cap pair, comet red)		1
1	1487961-0441	(Bearing block cap pair, arctic blue)		1
1	1487961-0444	(Bearing block cap, pair, copper glaze)		1
2	1451718	KULELAGER KO5 KUSCHALL		1
3	1529372	RAMMEBESKYTTER FRONT KSL		1
4	1570107	(Axle holder latch standard, kit)		2

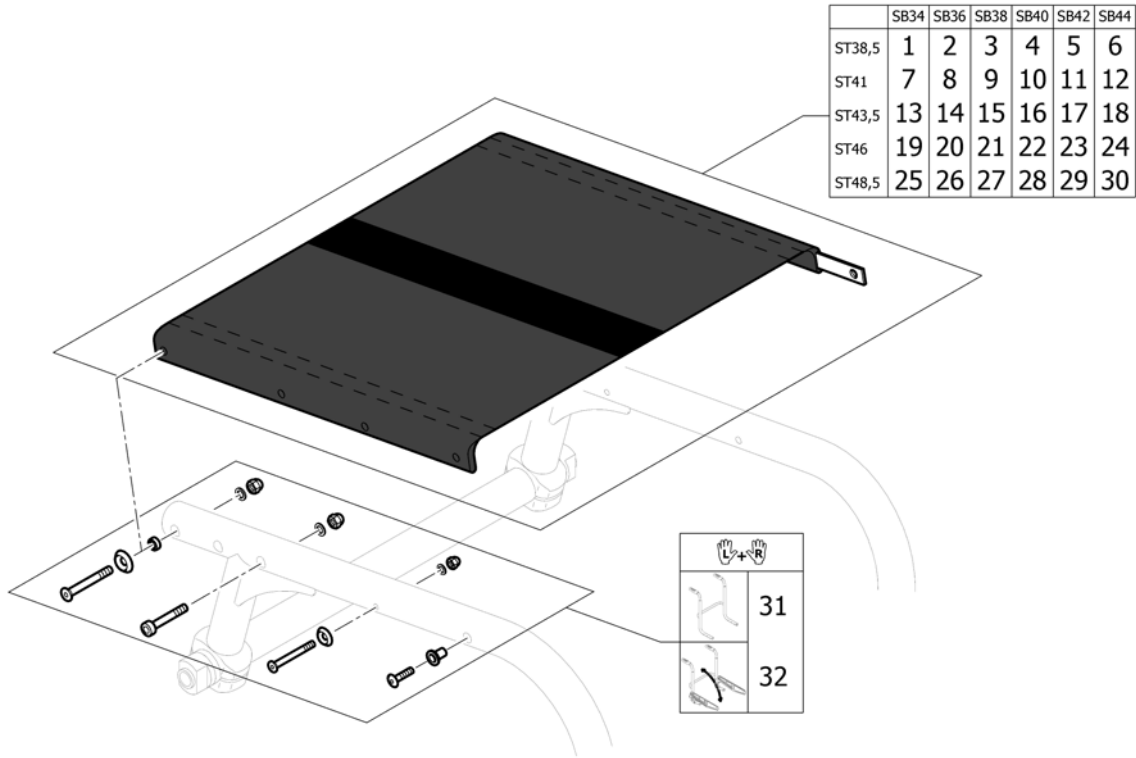


1	1529365	(Axle tube Carbon 1°/318mm)		1
2	1529366	(Axle tube Carbon 1°/338mm)		1
3	1529367	(Axle tube Carbon 1°/358mm)		1
4	1529368	(Axle tube Carbon 1°/378mm)		1
5	1529369	(Axle tube Carbon 1°/398mm)		1
6	1540913	(Axle tube Carbon 1°/418mm)	01.03.2010 →	1
7	1580248	(Axle tube Carbon 1°/438mm)	01.07.2013 →	1
8	1529370	(Axle tube Carbon 3°/324mm)		1
9	1504645	(Axle tube Carbon 3°/344mm)		1
10	1504648	AKSLING KARBON R33 R33 364 MM		1
11	1504651	(Axle tube Carbon 3°/384mm)		1
12	1504654	AKSLINGSRRØR 3 GR 404MM CARBON R33		1
13	1504657	(Axle tube Carbon 3°/424mm)	01.03.2010 →	1
14	1504660	(Axle tube Carbon 3°/444mm)	01.07.2013 →	1
15	1529371	(Axle tube Carbon 6°/354mm)		1
16	1504646	(Axle tube Carbon 6°/374mm)		1
17	1504649	(Axle tube Carbon 6°/394mm)		1
18	1504652	(Axle tube Carbon 6°/414mm)		1
19	1504655	(Axle tube Carbon 6°/434mm)		1
20	1504658	(Axle tube Carbon 6°/454mm)	01.03.2010 →	1
21	1504661	(Axle tube Carbon 6°/474mm)	01.07.2013 →	1



1	-	(Seat cover)		1
2	-	(Seat cover light)	01.07.2011 →	1
3	-	(Seat cushion standard)	01.07.2012 →	1

(Seat cover)



1	1527116	(Seat cover, kit, SB34, ST38,5)		1
2	1527117	(Seat cover, kit, SB36, ST38,5)		1
3	1527118	(Seat cover, kit, SB38, ST38,5)		1
4	1527119	(Seat cover, kit, SB40, ST38,5)		1
5	1527120	(Seat cover, kit, SB42, ST38,5)		1
6	1580249	(Seat cover, kit, SB44, ST38,5)	01.07.2013 →	1
7	1527121	(Seat cover, kit, SB34, ST41)		1
8	1527134	(Seat cover, kit, SB36, ST41)		1
9	1527135	(Seat cover, kit, SB38, ST41)		1
10	1527136	(Seat cover, kit, SB40, ST41)		1
11	1527137	(Seat cover, kit, SB42, ST41)		1
12	1580250	(Seat cover, kit, SB44, ST41)	01.07.2013 →	1
13	1527138	(Seat cover, kit, SB34, ST43,5)		1
14	1527238	(Seat cover, kit, SB36, ST43,5)		1
15	1527239	(Seat cover, kit, SB38, ST43,5)		1
16	1527240	(Seat cover, kit, SB40, ST43,5)		1
17	1527241	(Seat cover, kit, SB42, ST43,5)		1
18	1580251	(Seat cover, kit, SB44, ST43,5)	01.07.2013 →	1
19	1564247	(Seat cover, kit, SB34, ST46)	01.01.2011 →	1
20	1564248	(Seat cover, kit, SB36, ST46)	01.01.2011 →	1
21	1564249	(Seat cover, kit, SB38, ST46)	01.01.2011 →	1
22	1564250	(Seat cover, kit, SB40, ST46)	01.01.2011 →	1
23	1564275	(Seat cover, kit, SB42, ST46)	01.01.2011 →	1
24	1580252	(Seat cover, kit, SB44, ST46)	01.07.2013 →	1
25	1564276	(Seat cover, kit, SB34, ST48,5)	01.01.2011 →	1
26	1564277	(Seat cover, kit, SB36, ST48,5)	01.01.2011 →	1
27	1564278	(Seat cover, kit, SB38, ST48,5)	01.01.2011 →	1
28	1564279	(Seat cover, kit, SB40, ST48,5)	01.01.2011 →	1
29	1564280	(Seat cover, kit, SB42, ST48,5)	01.01.2011 →	1
30	1580253	(Seat cover, kit, SB44, ST48,5)	01.07.2013 →	1
31	1571348	(Fixation kit seat cover for backrest fix) <i>Replaces 1527242</i>		1

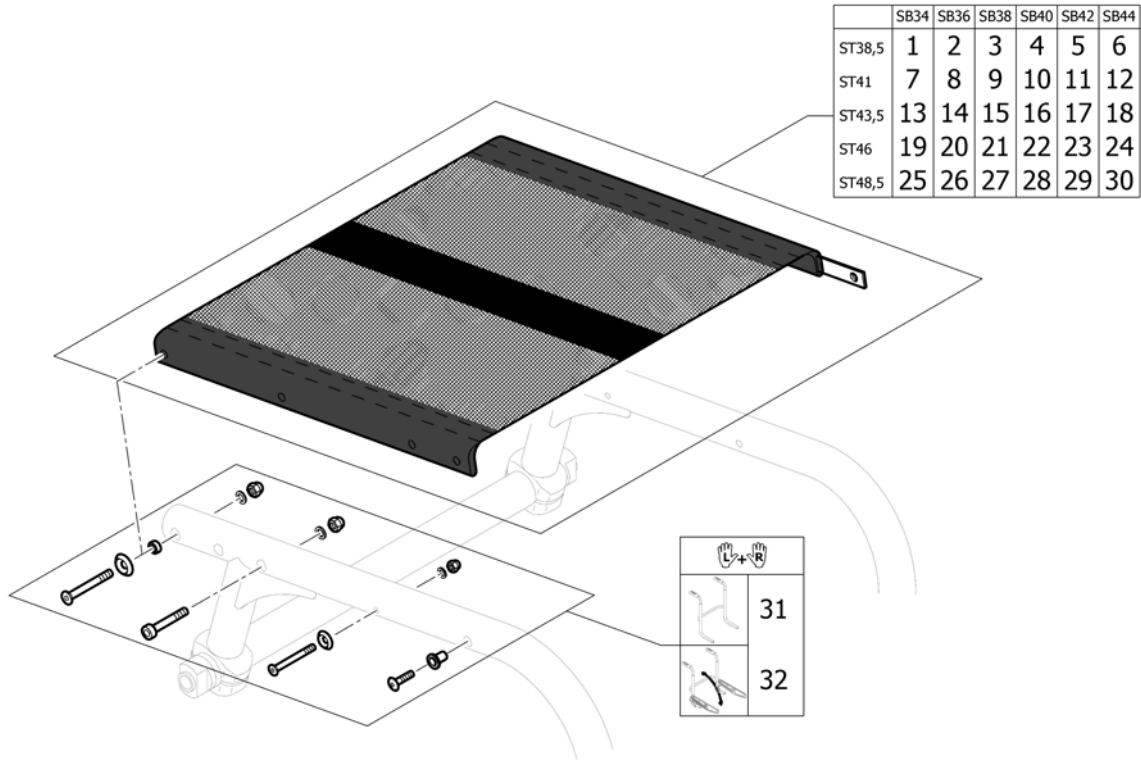
32 1571349

(Fixation kit seat cover for backrest foldable)
Replaces 1527242

01.03.2010 →

1

(Seat cover light)



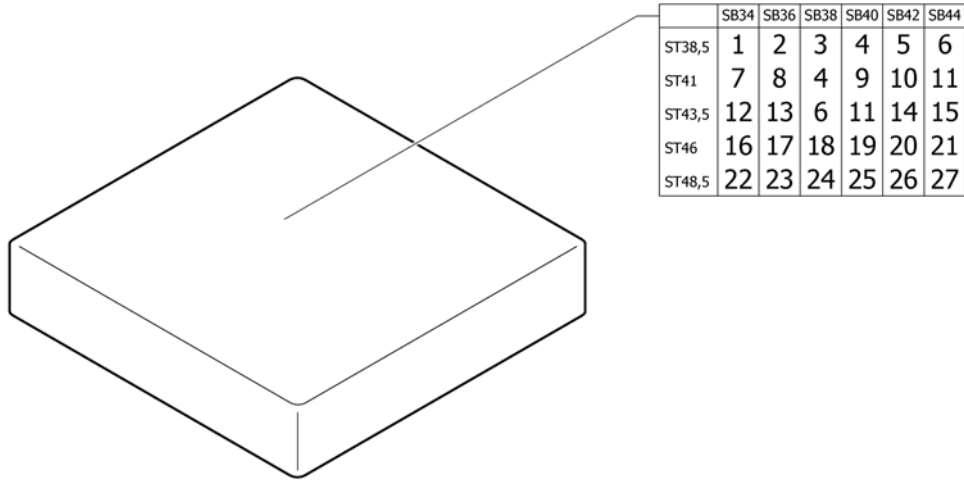
1	1564558	(Seat cover light complete SB34 ST38,5)		1
2	1564559	(Seat cover light complete SB36 ST38,5)		1
3	1564560	(Seat cover light complete SB38 ST38,5)		1
4	1564561	(Seat cover light complete SB40 ST38,5)		1
5	1564562	(Seat cover light complete SB42 ST38,5)		1
6	1580254	(Seat cover light complete SB44 ST38,5)	01.07.2013 →	1
7	1564563	(Seat cover light complete SB34 ST41)		1
8	1564564	(Seat cover light complete SB36 ST41)		1
9	1564565	(Seat cover light complete SB38 ST41)		1
10	1564566	(Seat cover light complete SB40 ST41)		1
11	1564567	(Seat cover light complete SB42 ST41)		1
12	1580255	(Seat cover light complete SB44 ST41)	01.07.2013 →	1
13	1564568	(Seat cover light complete SB34 ST43,5)		1
14	1564569	(Seat cover light complete SB36 ST43,5)		1
15	1564570	(Seat cover light complete SB38 ST43,5)		1
16	1564571	(Seat cover light complete SB40 ST43,5)		1
17	1564572	(Seat cover light complete SB42 ST43,5)		1
18	1580256	(Seat cover light complete SB44 ST43,5)	01.07.2013 →	1
19	1564573	(Seat cover light complete SB34 ST46)		1
20	1564574	(Seat cover light complete SB36 ST46)		1
21	1564575	(Seat cover light complete SB38 ST46)		1
22	1564576	(Seat cover light complete SB40 ST46)		1
23	1564577	(Seat cover light complete SB42 ST46)		1
24	1580257	(Seat cover light complete SB44 ST46)	01.07.2013 →	1
25	1564578	(Seat cover light complete SB34 ST48,5)		1
26	1564579	(Seat cover light complete SB36 ST48,5)		1
27	1564580	(Seat cover light complete SB38 ST48,5)		1
28	1564581	(Seat cover light complete SB40 ST48,5)		1
29	1564582	(Seat cover light complete SB42 ST48,5)		1
30	1580258	(Seat cover light complete SB44 ST48,5)	01.07.2013 →	1
31	1571348	(Fixation kit seat cover for backrest fix) <i>Replaces 1527242</i>		1

32 1571349

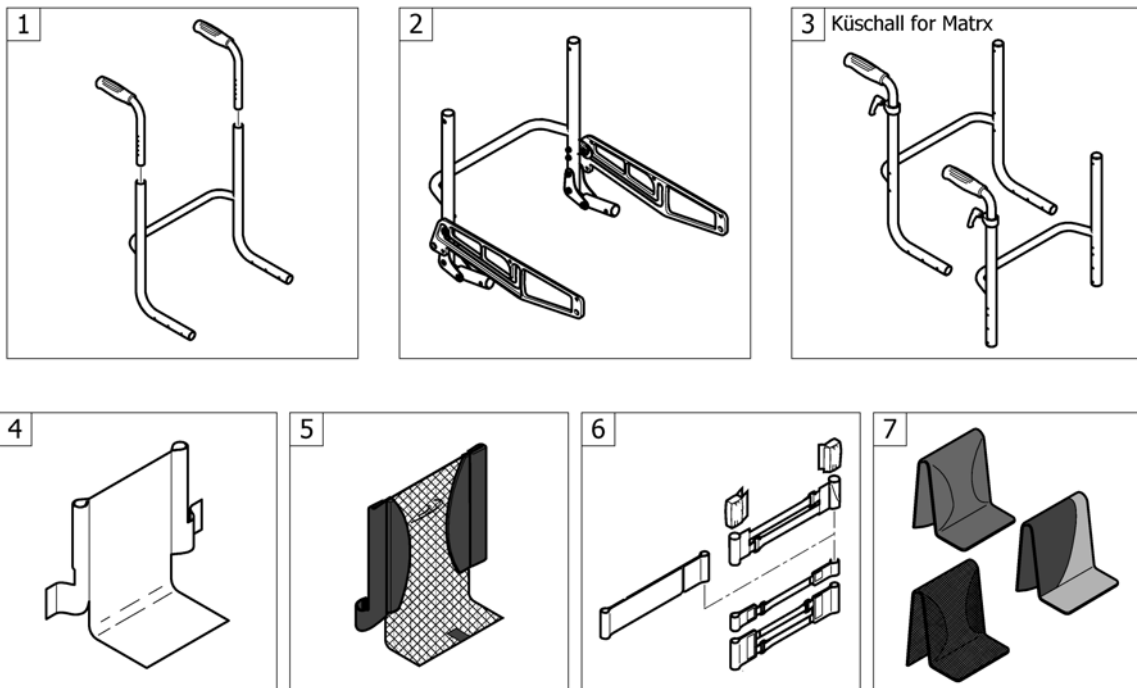
(Fixation kit seat cover for backrest foldable)
Replaces 1527242

1

(Seat cushion standard)

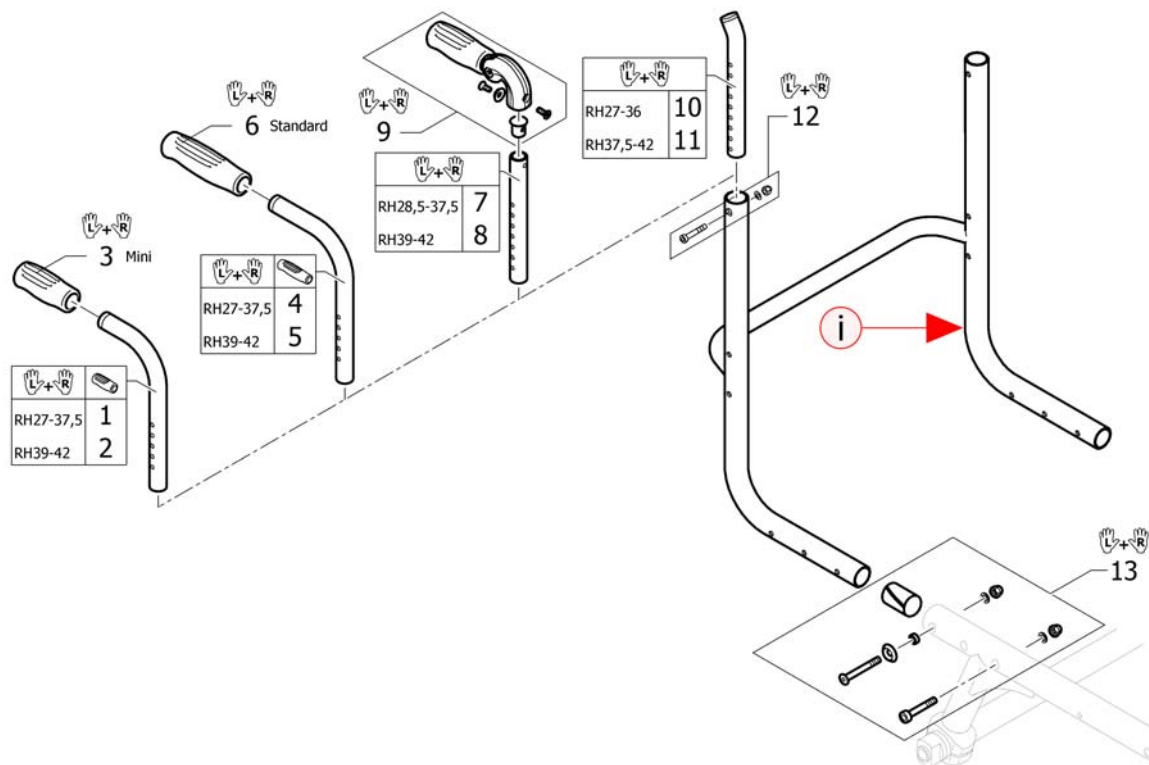


1	1556327	(Seat cushion 340mm x 380mm)		1
2	1556336	PUTE SETE SB 36 SD38 KUSCHALL		1
3	1556344	SETEPUTE 380mm x 380mm KUSCHALL		1
4	1556345	SETEPUTE STD 380mm x 400mm		1
5	1556346	SETEPUTE 42/38/5 SORT KUSCHALL		1
6	1556347	(Seat cushion 380mm x 440mm)		1
7	1556328	(Seat cushion 340mm x 400mm)		1
8	1556337	SETEPUTE 360mm x 400mm KUSCHALL		1
9	1556352	SETEPUTE 40/40/5 SORT KUSCHALL		1
10	1556353	SETEPUTE 42/40/5 SORT KUSCHALL		1
11	1556354	SETEPUTE 40X44X5 SORT KUSCHALL		1
12	1556330	(Seat cushion 340mm x 440mm)		1
13	1556339	(Seat cushion 360mm x 440mm)		1
14	1556360	(Seat cushion 420mm x 440mm)		1
15	1556365	SETEPUTE 44/44/5 SORT KUSCHALL	01.07.2013 →	1
16	1556331	(Seat cushion 340mm x 460mm)		1
17	1556340	(Seat cushion 360mm x 460mm)		1
18	1556348	(Seat cushion 380mm x 460mm)		1
19	1556355	SETEPUTE 400mm x 460mm KUSCHALL		1
20	1556361	SETEPUTE 420mm x 460mm KUSCHALL		1
21	1556366	SETEPUTE 46/44/5 SORT KUSCHALL	01.07.2013 →	1
22	1556332	(Seat cushion 340mm x 480mm)		1
23	1556341	(Seat cushion 360mm x 480mm)		1
24	1556349	(Seat cushion 380mm x 480mm)		1
25	1556356	(Seat cushion 400mm x 480mm)		1
26	1556362	(Seat cushion 420mm x 480mm)		1
27	1556367	SETEPUTE 44/48/5 SORT KUSCHALL	01.07.2013 →	0

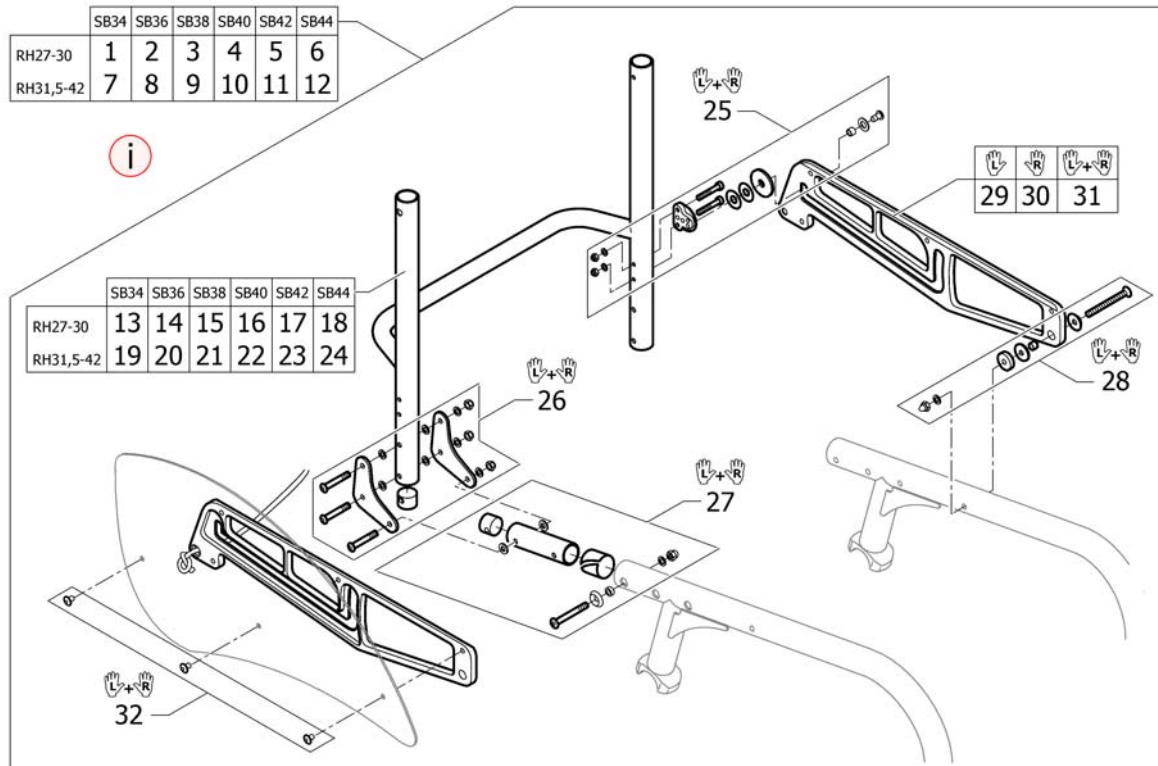


1	-	(Backrest)		1
2	-	(Foldable backrest)	01.03.2010 →	1
3	-	(Küschall backrest parts for Matrix backs)	01.01.2016 →	1
4	-	(Backrest cover Light)		1
5	-	(Backrest cover light)	01.07.2011 →	1
6	-	(Bands to adjustable backrest)		1
7	-	(Cover to adjustable backrest)		1

(Backrest)



i	-	(A backrest can only be ordered with the wheelchair's serial number. Please contact Küschall customer service.)	1
1	1525124	RYGG RØR MINI KORT PAR K-SERIES	1
2	1525125	RYGG RØR MINI LANG PAR K-SERIES	1
3	1525126	KJØREHÅNDTAK MINI SORT PLAST KUSCHALL	1
4	1525122	RYGG RØR KJØREH PAR KORT K SERIE	1
5	1525123	RYGG RØR KJØREH PAR STANDARD LANG K-SERIE	1
6	1507734	KJØREHÅNDTAK SVART PLAST PAR KUSCHALL	1
7	1524956	TELESKOPRØR KORT PAR FOR FOLDB.KJØREHÅNDTAK K 4	1
8	1525121	TELESKOPRØR MED. PAR FOR FOLDB.KJØREHÅNDTAK K 4	1
9	1507733	KJØREHÅNDTAK FOLDBARE KUSCHALL CO PAR	1
10	1546913	(Telescopic back tube standard short, pair)	1
11	1546914	(Telescopic back tube standard medium, pair)	1
12	1509136	SKRUE KIT FOR RYGGRØR KUSCHALL	1
13	1527115	(Fixation kit frame - backrest)	1

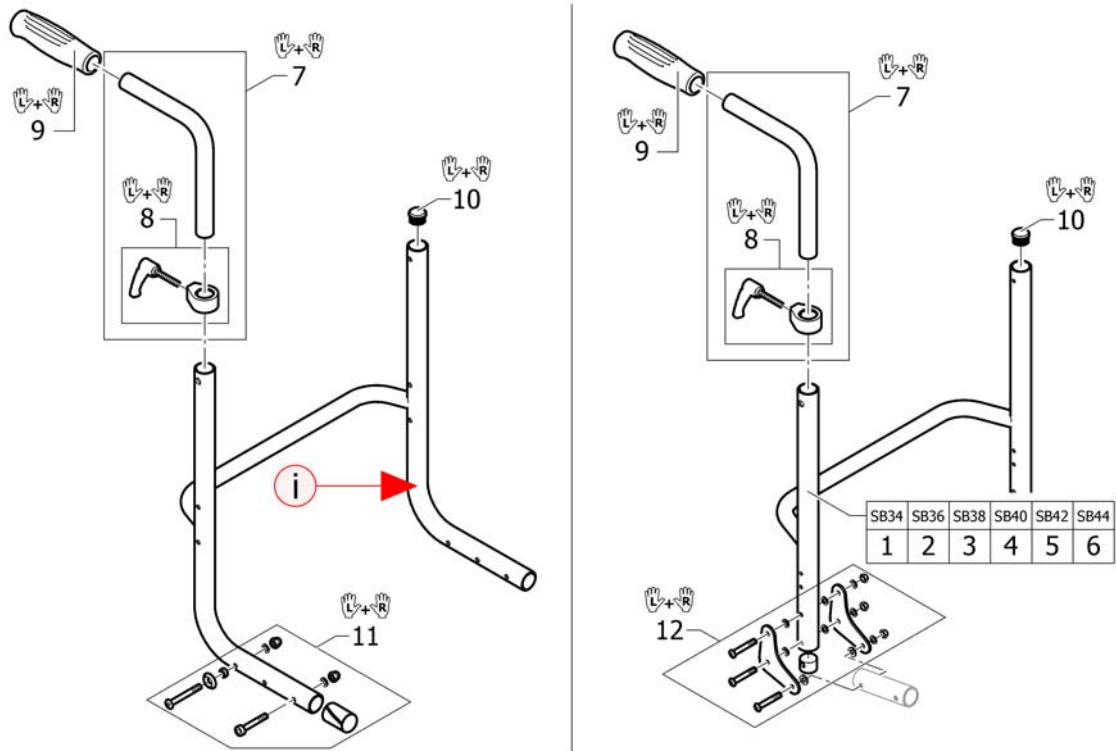


i	-	(A special axle tube carbon is necessary. See page axle tube carbon.)		0
1	1580261	(Foldable backrest SB34, short, complete)		1
2	1580262	(Foldable backrest SB36, short, complete)		1
3	1580263	(Foldable backrest SB38, short, complete)		1
4	1580264	(Foldable backrest SB40, short, complete)		1
5	1580265	(Foldable backrest SB42, short, complete)		1
6	1580266	(Foldable backrest SB44, short, complete)	01.07.2013 →	1
7	1540896	(Foldable backrest SB34, complete)		1
8	1540897	RYGG 36 FOLDBAR KPL KSL KSL		1
9	1540898	(Foldable backrest SB38, complete)		1
10	1540899	RYGG 40 FOLDBAR KPL KSL		1
11	1540900	(Foldable backrest SB42, complete)		1
12	1580259	(Foldable backrest SB44, complete)	01.07.2013 →	1
13	1580267	(Backrest tube SB34, short)		1
14	1580268	(Backrest tube SB36, short)		1
15	1580269	(Backrest tube SB38, short)		1
16	1580270	(Backrest tube SB40, short)		1
17	1580271	(Backrest tube SB42, short)		1
18	1580272	(Backrest tube SB44, short)	01.07.2013 →	1
19	1540901	(Backrest tube SB34)		1
20	1540902	(Backrest tube SB36)		1
21	1540903	(Backrest tube SB38)		1
22	1540904	(Backrest tube SB40)		1
23	1540905	(Backrest tube SB42)		1
24	1580260	(Backrest tube SB44)	01.07.2013 →	1
25	1540906	(Backrest angle regulator, pair)		1
26	1540907	(Backrest joint plate, kit)		1
27	1540908	(Frame joint tubes, pair)		1
28	1540909	(Fixation kit support plate, front, pair)		1
29	1540911	(Support plate for clothes guard & mudguard, left)		1
30	1540910	(Support plate for clothes guard & mudguard, right)		1

(Foldable backrest)

31	1540912	(Support plates for clothes guard & mudguard, pair)	1
32	1547632	(Fixation kit for clothes-guards or mudguards on support plates)	1

(Küschall backrest parts for Matrix backs)

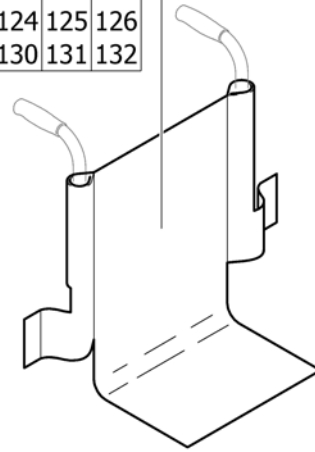
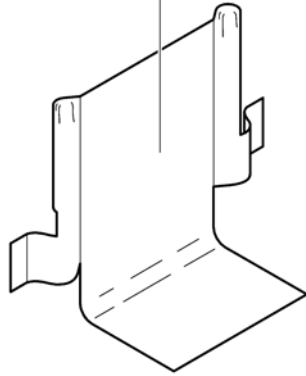


i	-	(A backrest can only be ordered with the wheelchair's serial number. Please contact Küschall customer service.)		1
1	1540901	(Backrest tube SB34)	01.03.2010 →	1
2	1540902	(Backrest tube SB36)	01.03.2010 →	1
3	1540903	(Backrest tube SB38)	01.03.2010 →	1
4	1540904	(Backrest tube SB40)	01.03.2010 →	1
5	1540905	(Backrest tube SB42)	01.03.2010 →	1
6	1580260	(Backrest tube SB44)	01.07.2013 →	1
7	1438203	KJØREHÅNDTAK INTERGRERT KORT 20CM KÜSCHALL PAR		1
8	1549985	JUSTERING HREG PAR KJØREHÅNDTAK KUSCHALL .		1
9	1507734	KJØREHÅNDTAK SVART PLAST PAR KUSCHALL		1
10	1561018	ENDEPLUGG RYGGRØR KUSCHALL Ø24MM		1
11	1527115	(Fixation kit frame - backrest)		1
12	1540907	(Backrest joint plate, kit)	01.03.2010 →	1

(Backrest cover Light)

	SB34	SB36	SB38	SB40	SB42	SB44
RH27	1	2	3	4	5	6
RH28,5	7	8	9	10	11	12
RH30	13	14	15	16	17	18
RH31,5	19	20	21	22	23	24
RH33	25	26	27	28	29	30
RH34,5	31	32	33	34	35	36
RH36	37	38	39	40	41	42
RH37,5	43	44	45	46	47	48
RH39	49	50	51	52	53	54
RH40,5	55	56	57	58	59	60
RH42	61	62	63	64	65	66

	SB34	SB36	SB38	SB40	SB42	SB44
RH27	67	68	69	70	71	72
RH28,5	73	74	75	76	77	78
RH30	79	80	81	82	83	84
RH31,5	85	86	87	88	89	90
RH33	91	92	93	94	95	96
RH34,5	97	98	99	100	101	102
RH36	103	104	105	106	107	108
RH37,5	109	110	111	112	113	114
RH39	115	116	117	118	119	120
RH40,5	121	122	123	124	125	126
RH42	127	128	129	130	131	132

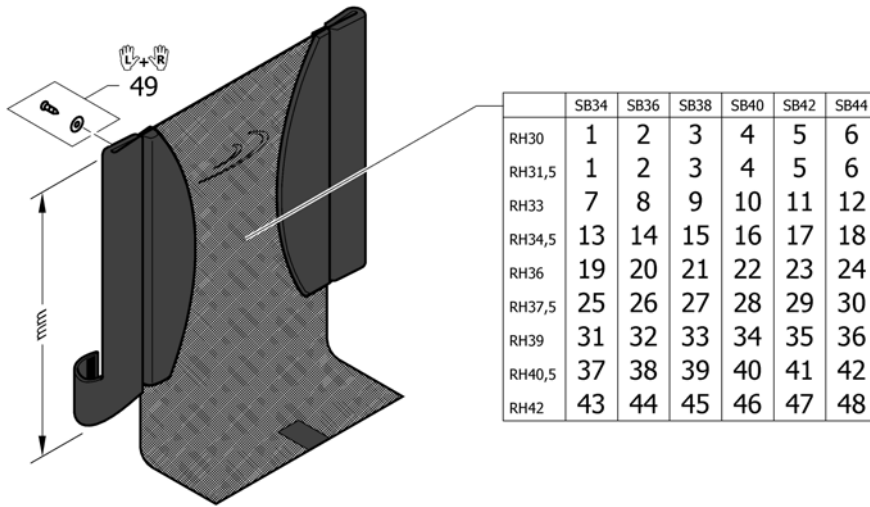


1	1527243	(Backrest cover Light SB34 RH27, without pushhandles)		1
2	1527244	(Backrest cover Light SB36 RH27, without pushhandles)		1
3	1528049	(Backrest cover Light SB38 RH27, without pushhandles)		1
4	1528050	(Backrest cover Light SB40 RH27, without pushhandles)		1
5	1528051	(Backrest cover Light SB44 RH27, without pushhandles)		1
6	1570132	(Backrest cover Light SB44 RH27, without pushhandles)	01.07.2013 →	1
7	1528052	(Backrest cover Light SB34 RH28,5, without pushhandles)		1
8	1528053	(Backrest cover Light SB36 RH28,5, without pushhandles)		1
9	1528054	(Backrest cover Light SB38 RH28,5, without pushhandles)		1
10	1528055	(Backrest cover Light SB40 RH28,5, without pushhandles)		1
11	1528056	(Backrest cover Light SB42 RH28,5, without pushhandles)		1
12	1570133	(Backrest cover Light SB44 RH28,5, without pushhandles)	01.07.2013 →	1
13	1528168	(Backrest cover Light SB34 RH30, without pushhandles)		1
14	1528169	(Backrest cover Light SB36 RH30, without pushhandles)		1
15	1528170	(Backrest cover Light SB38 RH30, without pushhandles)		1
16	1528171	(Backrest cover Light SB40 RH30, without pushhandles)		1
17	1528172	(Backrest cover Light SB42 RH30, without pushhandles)		1
18	1570134	(Backrest cover Light SB44 RH30, without pushhandles)	01.07.2013 →	1
19	1528173	(Backrest cover Light SB34 RH31,5, without pushhandles)		1
20	1528174	(Backrest cover Light SB36 RH31,5, without pushhandles)		1
21	1528175	(Backrest cover Light SB38 RH31,5, without pushhandles)		1
22	1528176	(Backrest cover Light SB40 RH31,5, without pushhandles)		1
23	1528177	(Backrest cover Light SB42 RH31,5, without pushhandles)		1
24	1570135	(Backrest cover Light SB44 RH31,5, without pushhandles)	01.07.2013 →	1
25	1528178	(Backrest cover Light SB34 RH33, without pushhandles)		1
26	1528179	(Backrest cover Light SB36 RH33, without pushhandles)		1
27	1528180	(Backrest cover Light SB38 RH33, without pushhandles)		1
28	1528181	(Backrest cover Light SB40 RH33, without pushhandles)		1
29	1528182	(Backrest cover Light SB42 RH33, without pushhandles)		1
30	1570136	(Backrest cover Light SB44 RH33, without pushhandles)	01.07.2013 →	1
31	1528183	(Backrest cover Light SB34 RH34,5, without pushhandles)		1

32	1528184	(Backrest cover Light SB36 RH34,5, without pushhandles)		1
33	1528185	(Backrest cover Light SB38 RH34,5, without pushhandles)		1
34	1528186	(Backrest cover Light SB40 RH34,5, without pushhandles)		1
35	1528187	(Backrest cover Light SB42 RH34,5, without pushhandles)		1
36	1570137	(Backrest cover Light SB44 RH34,5, without pushhandles)	01.07.2013 →	1
37	1528188	(Backrest cover Light SB34 RH36, without pushhandles)		1
38	1528189	(Backrest cover Light SB36 RH36, without pushhandles)		1
39	1528190	(Backrest cover Light SB38 RH36, without pushhandles)		1
40	1528191	(Backrest cover Light SB40 RH36, without pushhandles)		1
41	1528192	(Backrest cover Light SB42 RH36, without pushhandles)		1
42	1570138	(Backrest cover Light SB44 RH36, without pushhandles)	01.07.2013 →	1
43	1528193	(Backrest cover Light SB34 RH37,5, without pushhandles)		1
44	1528194	(Backrest cover Light SB36 RH37,5, without pushhandles)		1
45	1528195	(Backrest cover Light SB38 RH37,5, without pushhandles)		1
46	1528196	(Backrest cover Light SB40 RH37,5, without pushhandles)		1
47	1528197	(Backrest cover Light SB42 RH37,5, without pushhandles)		1
48	1570139	(Backrest cover Light SB44 RH37,5, without pushhandles)	01.07.2013 →	1
49	1528198	(Backrest cover Light SB34 RH39, without pushhandles)		1
50	1528199	(Backrest cover Light SB36 RH39, without pushhandles)		1
51	1528200	(Backrest cover Light SB38 RH39, without pushhandles)		1
52	1528201	(Backrest cover Light SB40 RH39, without pushhandles)		1
53	1528202	(Backrest cover Light SB42 RH39, without pushhandles)		1
54	1570140	(Backrest cover Light SB44 RH39, without pushhandles)	01.07.2013 →	1
55	1570151	(Backrest cover Light SB34 RH40,5, without pushhandles)	01.07.2013 →	1
56	1570149	(Backrest cover Light SB36 RH40,5, without pushhandles)	01.07.2013 →	1
57	1570147	(Backrest cover Light SB38 RH40,5, without pushhandles)	01.07.2013 →	1
58	1570145	(Backrest cover Light SB40 RH40,5, without pushhandles)	01.07.2013 →	1
59	1570143	(Backrest cover Light SB42 RH40,5, without pushhandles)	01.07.2013 →	1
60	1570141	(Backrest cover Light SB44 RH40,5, without pushhandles)	01.07.2013 →	1
61	1570152	(Backrest cover Light SB34 RH42, without pushhandles)	01.07.2013 →	1
62	1570150	(Backrest cover Light SB36 RH42, without pushhandles)	01.07.2013 →	1
63	1570148	(Backrest cover Light SB38 RH42, without pushhandles)	01.07.2013 →	1
64	1570146	(Backrest cover Light SB40 RH42, without pushhandles)	01.07.2013 →	1
65	1570144	(Backrest cover Light SB42 RH42, without pushhandles)	01.07.2013 →	1
66	1570142	(Backrest cover Light SB44 RH42, without pushhandles)	01.07.2013 →	1
67	1528203	(Backrest cover Light SB34 RH27 for push handles)		1
68	1528204	(Backrest cover Light SB36 RH27 for push handles)		1
69	1528205	(Backrest cover Light SB38 RH27 for push handles)		1
70	1528206	(Backrest cover Light SB40 RH27 for push handles)		1
71	1528207	(Backrest cover Light SB42 RH27 for push handles)		1
72	1570111	(Backrest cover Light SB44 RH27 for push handles)	01.07.2013 →	1
73	1528208	(Backrest cover Light SB34 RH28,5 for push handles)		1
74	1528209	(Backrest cover Light SB36 RH28,5 for push handles)		1
75	1528210	(Backrest cover Light SB38 RH28,5 for push handles)		1
76	1528211	(Backrest cover Light SB40 RH28,5 for push handles)		1
77	1528212	(Backrest cover Light SB42 RH28,5 for push handles)		1
78	1570112	(Backrest cover Light SB44 RH28,5 for push handles)	01.07.2013 →	1
79	1528213	(Backrest cover Light SB34 RH30 for push handles)		1
80	1528214	(Backrest cover Light SB36 RH30 for push handles)		1
81	1528215	(Backrest cover Light SB38 RH30 for push handles)		1
82	1528216	(Backrest cover Light SB40 RH30 for push handles)		1
83	1528217	(Backrest cover Light SB42 RH30 for push handles)		1
84	1570113	(Backrest cover Light SB44 RH30 for push handles)	01.07.2013 →	1
85	1528258	(Backrest cover Light SB34 RH31,5 for push handles)		1
86	1528259	(Backrest cover Light SB36 RH31,5 for push handles)		1

(Backrest cover Light)

87	1528396	(Backrest cover Light SB38 RH31,5 for push handles)		1
88	1528397	(Backrest cover Light SB40 RH31,5 for push handles)		1
89	1528398	(Backrest cover Light SB42 RH31,5 for push handles)		1
90	1570114	(Backrest cover Light SB44 RH31,5 for push handles)	01.07.2013 →	1
91	1528461	(Backrest cover Light SB34 RH33 for push handles)		1
92	1528462	(Backrest cover Light SB36 RH33 for push handles)		1
93	1528463	(Backrest cover Light SB38 RH33 for push handles)		1
94	1528464	(Backrest cover Light SB40 RH33 for push handles)		1
95	1528465	(Backrest cover Light SB42 RH33 for push handles)		1
96	1570115	(Backrest cover Light SB44 RH33 for push handles)	01.07.2013 →	1
97	1528466	(Backrest cover Light SB34 RH34,5 for push handles)		1
98	1528467	(Backrest cover Light SB36 RH34,5 for push handles)		1
99	1528468	(Backrest cover Light SB38 RH34,5 for push handles)		1
100	1528469	(Backrest cover Light SB40 RH34,5 for push handles)		1
101	1528470	(Backrest cover Light SB42 RH34,5 for push handles)		1
102	1570116	(Backrest cover Light SB44 RH34,5 for push handles)	01.07.2013 →	1
103	1528471	(Backrest cover Light SB34 RH36 for push handles)		1
104	1528472	(Backrest cover Light SB36 RH36 for push handles)		1
105	1528473	(Backrest cover Light SB38 RH36 for push handles)		1
106	1528474	(Backrest cover Light SB40 RH36 for push handles)		1
107	1528475	(Backrest cover Light SB42 RH36 for push handles)		1
108	1570117	(Backrest cover Light SB44 RH36 for push handles)	01.07.2013 →	1
109	1528476	(Backrest cover Light SB34 RH37,5 for push handles)		1
110	1528477	(Backrest cover Light SB36 RH37,5 for push handles)		1
111	1528478	(Backrest cover Light SB38 RH37,5 for push handles)		1
112	1528479	(Backrest cover Light SB40 RH37,5 for push handles)		1
113	1528480	(Backrest cover Light SB42 RH37,5 for push handles)		1
114	1570118	(Backrest cover Light SB44 RH37,5 for push handles)	01.07.2013 →	1
115	1528481	(Backrest cover Light SB34 RH39 for push handles)		1
116	1528482	(Backrest cover Light SB36 RH39 for push handles)		1
117	1528483	(Backrest cover Light SB38 RH39 for push handles)		1
118	1528484	(Backrest cover Light SB40 RH39 for push handles)		1
119	1528586	(Backrest cover Light SB42 RH39 for push handles)		1
120	1570119	(Backrest cover Light SB44 RH39 for push handles)	01.07.2013 →	1
121	1570130	(Backrest cover Light SB34 RH40,5 for push handles)	01.07.2013 →	1
122	1570128	(Backrest cover Light SB36 RH40,5 for push handles)	01.07.2013 →	1
123	1570126	(Backrest cover Light SB38 RH40,5 for push handles)	01.07.2013 →	1
124	1570124	(Backrest cover Light SB40 RH40,5 for push handles)	01.07.2013 →	1
125	1570122	(Backrest cover Light SB42 RH40,5 for push handles)	01.07.2013 →	1
126	1570120	(Backrest cover Light SB44 RH40,5 for push handles)	01.07.2013 →	1
127	1570131	(Backrest cover Light SB34 RH42 for push handles)	01.07.2013 →	1
128	1570129	(Backrest cover Light SB36 RH42 for push handles)	01.07.2013 →	1
129	1570127	(Backrest cover Light SB38 RH42 for push handles)	01.07.2013 →	1
130	1570125	(Backrest cover Light SB40 RH42 for push handles)	01.07.2013 →	1
131	1570123	(Backrest cover Light SB42 RH42 for push handles)	01.07.2013 →	1
132	1570121	(Backrest cover Light SB44 RH42 for push handles)	01.07.2013 →	1

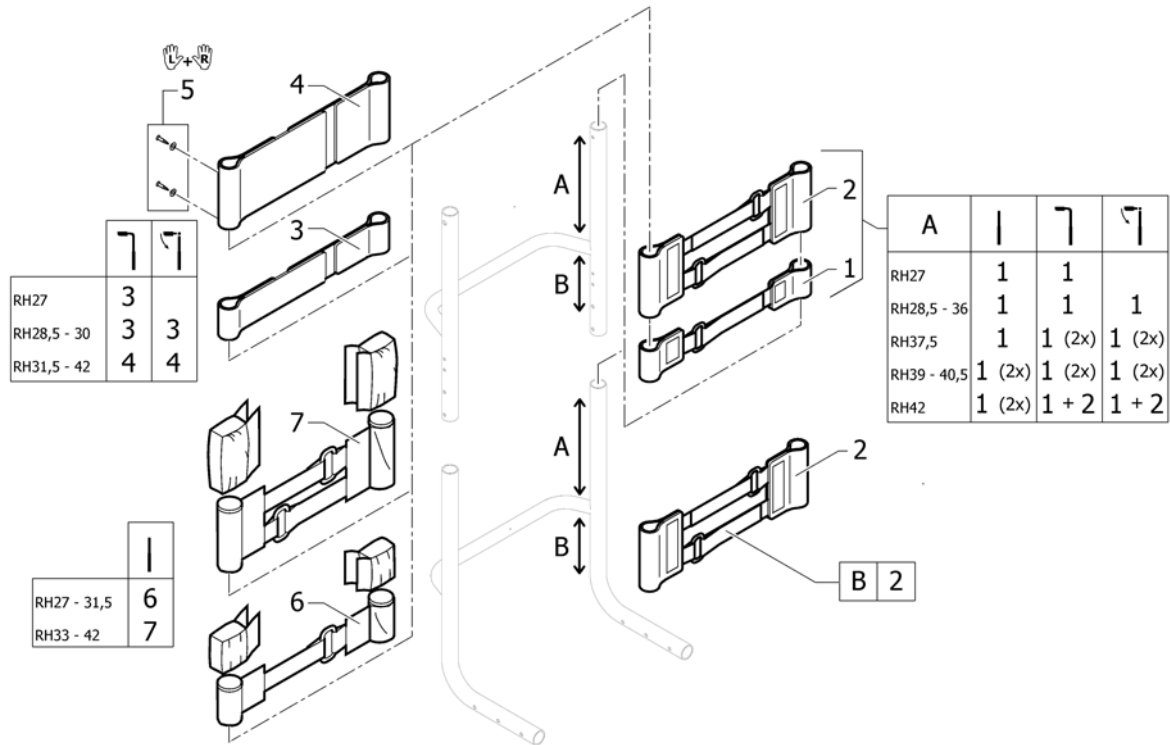


1	1559117	(Backrest cover light SB34 x 240mm)		1
2	1559280	(Backrest cover light SB36 x 240mm)		1
3	1559556	(Backrest cover light SB38 x 240mm)		1
4	1560071	(Backrest cover light SB40 x 240mm)		1
5	1560129	(Backrest cover light SB42 x 240mm)		1
6	1560144	(Backrest cover light SB44 x 240mm)	01.07.2013 →	1
7	1559118	(Backrest cover light SB34 x 255mm)		1
8	1559281	(Backrest cover light SB36 x 255mm)		1
9	1559557	(Backrest cover light SB38 x 255mm)		1
10	1560072	(Backrest cover light SB40 x 255mm)		1
11	1560130	(Backrest cover light SB42 x 255mm)		1
12	1560145	(Backrest cover light SB44 x 255mm)	01.07.2013 →	1
13	1559119	(Backrest cover light SB34 x 270mm)		1
14	1559282	(Backrest cover light SB36 x 270mm)		1
15	1559558	(Backrest cover light SB38 x 270mm)		1
16	1560073	(Backrest cover light SB40 x 270mm)		1
17	1560131	(Backrest cover light SB42 x 270mm)		1
18	1560146	(Backrest cover light SB44 x 270mm)	01.07.2013 →	1
19	1559120	(Backrest cover light SB34 x 285mm)		1
20	1559283	(Backrest cover light SB36 x 285mm)		1
21	1559559	(Backrest cover light SB38 x 285mm)		1
22	1560117	(Backrest cover light SB40 x 285mm)		1
23	1560132	(Backrest cover light SB42 x 285mm)		1
24	1560147	(Backrest cover light SB44 x 285mm)	01.07.2013 →	1
25	1559121	(Backrest cover light SB34 x 300mm)		1
26	1559284	(Backrest cover light SB36 x 300mm)		1
27	1559560	(Backrest cover light SB38 x 300mm)		1
28	1560118	(Backrest cover light SB40 x 300mm)		1
29	1560133	(Backrest cover light SB42 x 300mm)		1
30	1560148	(Backrest cover light SB44 x 300mm)	01.07.2013 →	1
31	1559122	(Backrest cover light SB34 x 315mm)		1

(Backrest cover light)

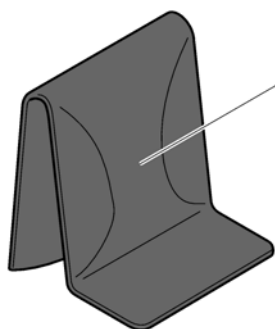
32	1559285	(Backrest cover light SB36 x 315mm)		1
33	1559561	(Backrest cover light SB38 x 315mm)		1
34	1560119	(Backrest cover light SB40 x 315mm)		1
35	1560134	(Backrest cover light SB42 x 315mm)		1
36	1560149	(Backrest cover light SB44 x 315mm)	01.07.2013 →	1
37	1559123	(Backrest cover light SB34 x 330mm)		1
38	1559335	(Backrest cover light SB36 x 330mm)		1
39	1559562	(Backrest cover light SB38 x 330mm)		1
40	1560120	(Backrest cover light SB40 x 330mm)		1
41	1560135	(Backrest cover light SB42 x 330mm)		1
42	1560150	(Backrest cover light SB44 x 330mm)	01.07.2013 →	1
43	1559124	(Backrest cover light SB34 x 345mm)		1
44	1559336	(Backrest cover light SB36 x 345mm)		1
45	1559563	(Backrest cover light SB38 x 345mm)		1
46	1560121	(Backrest cover light SB40 x 345mm)		1
47	1560136	(Backrest cover light SB42 x 345mm)		1
48	1560151	(Backrest cover light SB44 x 345mm)	01.07.2013 →	1
49	1432083	FESTEKIT FOR RYGGBÄND CHAMPION KÜSCHALL		1

(Bands to adjustable backrest)

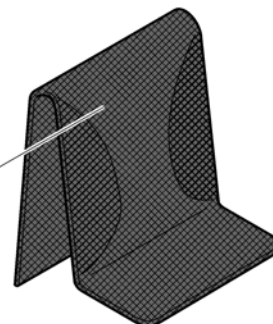


1	1513167	VELCROBÄND JUSTERBART M 1 STROPP K4 2008-MOD	1
2	1513168	VELCROBÄND JUSTERBART M 2 STROPP COMPACT-2004M	1
3	1513170	VELCROREM 2-DELT 5 CM PAR	1
4	1513171	VELCROBÄND TOPP 10 CM 2-DELT ALLE 2008->	1
5	1432083	FESTEKIT FOR RYGGBÄND CHAMPION KÜSCHALL	1
6	1513172	VELCROBÄND ENDESTYKKE 5 CM	1
7	1513173	VELCROBÄND ENDESTYKKE 10 CM	1

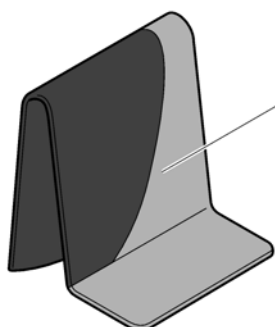
(Cover to adjustable backrest)



Standard	SB34	SB36-38	SB40-42
RH27-33	1	2	3
RH34,5-39	4	5	6



Aeroback	SB34	SB36-38	SB40-42	SB44
RH27-33	7	8	9	10
RH34,5-40,5	11	12	13	14
RH42	15	16	17	18



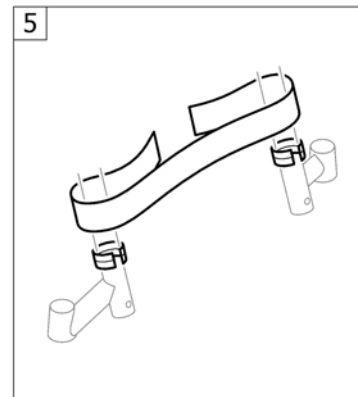
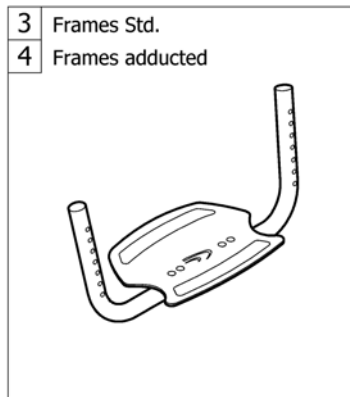
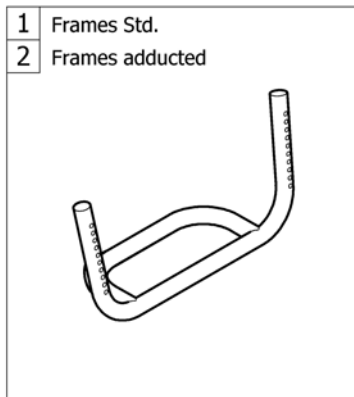
Std. (black / grey)	SB34	SB36-38	SB40-42	SB44
RH27-33	19	20	21	22
RH34,5-40,5	23	24	25	26
RH42	27	28	29	30

1	1512137	RYGGOVERDRAG STD SB32-34 RH 27-33	01.02.2009 → 30.06.2011	1
2	1512138	RYGGOVERDRAG KORT SB36-38	01.02.2009 → 30.06.2011	1
3	1512139	RYGGOVERDRAG STD SB40-42 KORT	01.02.2009 → 30.06.2011	1
4	1512144	RYGGOVERDRAG STD SB32-34 KUSCHALL R33 K4 AIRLITE	01.02.2009 → 30.06.2011	1
5	1512145	RYGGOVERDRAG STD SB36-38 KUSCHALL R33 K4 AIRLITE	01.02.2009 → 30.06.2011	1
6	1512146	RYGGOVERDRAG STD SB40-42 KUSCHALL R33 K4 AIRLITE	01.02.2009 → 30.06.2011	1
7	1512156	(Cover 'Aero' to adjustable backrest, SB32-34, short)		1
8	1512157	(Cover 'Aero' to adjustable backrest, SB36-38, short)		1
9	1512158	RYGGTREKK SB40-42 KORT AEROBACK		1
10	1512159	(Cover 'Aero' to adjustable backrest, SB44-46, short)	01.07.2013 →	1
11	1512161	RYGGTREKK SB32-34 MEDIUM AEROBACK KUSCHALL		1
12	1512162	RYGGTREKK SB36-38 MEDIUM AEROBACK KUSCHALL		1
13	1512163	RYGGTREKK SB40-42 MEDIUM AEROBACK KUSCHALL		1
14	1512164	RYGGTREKK SB44-46 MEDIUM AEROBACK KUSCHALL	01.07.2013 →	1
15	1512166	RYGGTREKK SB 32-34 REG RYGG AERO LANG	01.07.2013 →	1
16	1512167	RYGGTREKK AEROBACK SB36-38 LANG VELCRO RYGG	01.07.2013 →	1
17	1512168	RYGGTREKK SB40-42 LANG AEROBACK CHAMPION-2008	01.07.2013 →	1
18	1512169	RYGGTREKK SB44-46 LANG AEROBACK KUSCHALL	01.07.2013 →	1
19	1547153	(Cover black and grey to adjustable backrest, SB32-34, short)	01.07.2011 →	1
20	1547154	(Cover black and grey to adjustable backrest, SB36-38, short)	01.07.2011 →	1
21	1547155	(Cover black and grey to adjustable backrest, SB40-42, short)	01.07.2011 →	1
22	1547156	(Cover black and grey to adjustable backrest, SB44-46, short)	01.07.2013 →	1
23	1547158	(Cover black and grey to adjustable backrest, SB32-34, medium)	01.07.2011 →	1
24	1547159	(Cover black and grey to adjustable backrest, SB36-38, medium)	01.07.2011 →	1
25	1547160	(Cover black and grey to adjustable backrest, SB40-42, medium)	01.07.2011 →	1
26	1547161	(Cover black and grey to adjustable backrest, SB44-46, medium)	01.07.2013 →	1
27	1547163	(Cover black and grey to adjustable backrest, SB32-34, long)	01.07.2013 →	1

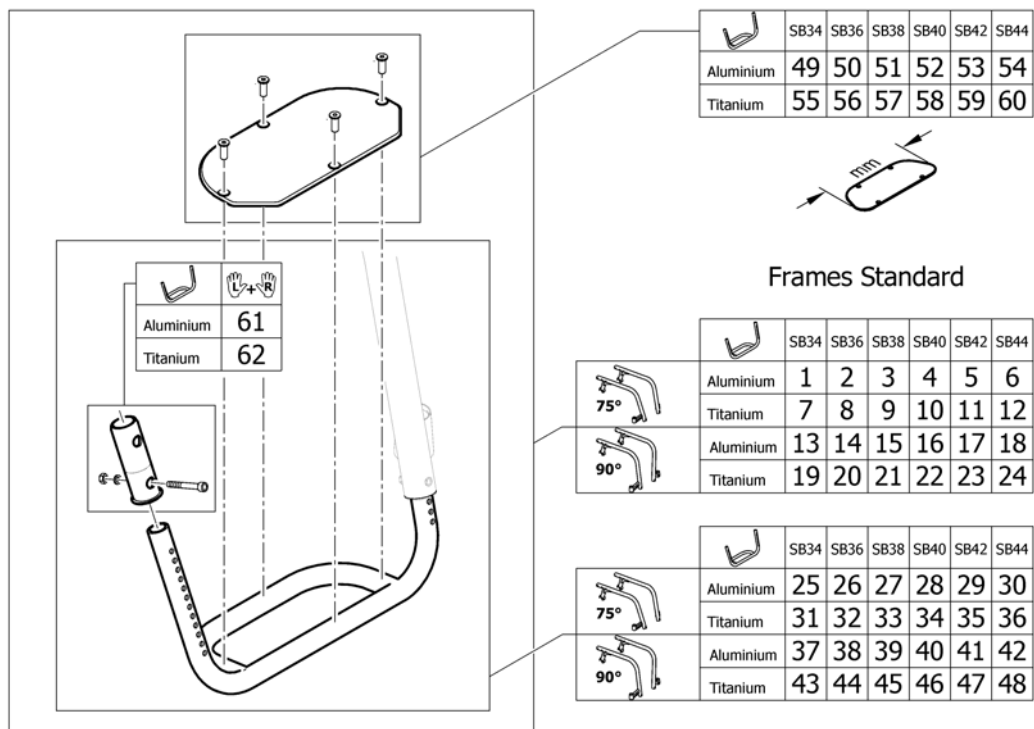
(Cover to adjustable backrest)

28	1547164	(Cover black and grey to adjustable backrest, SB36-38, long)	01.07.2013 →	1
29	1547165	RYGGOVERDRAG SB40-42 LANG SORT/GRÅ	01.07.2013 →	1
30	1547166	(Cover black and grey to adjustable backrest, SB44-46, long)	01.07.2013 →	1

Fotplater



1	-	(Footrest standard)		1
2	-	(Footrest standard for adducted frame)	01.07.2013 →	1
3	-	(Footrest angle adjustable)		1
4	-	(Footrest angle adjustable for adducted frame)	01.07.2013 →	1
5	-	(Calf strap)		1

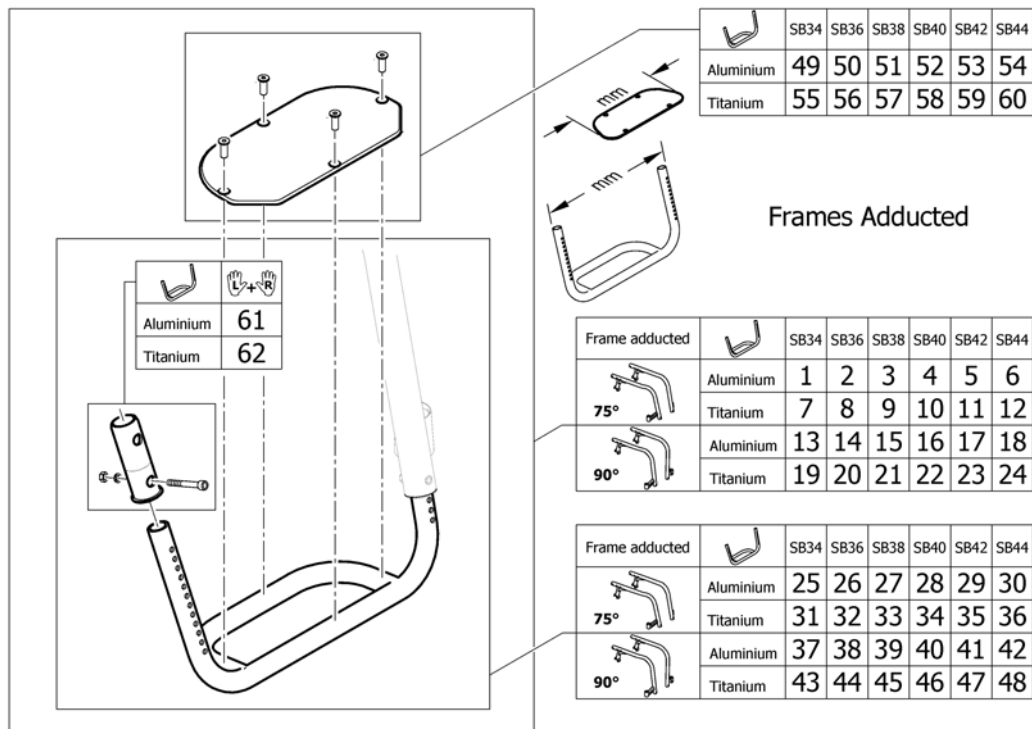


1	1547275	(Footrest K4 Aluminium with plate complete SB34)	01.01.2016 →	1
2	1547276	(Footrest K4 Aluminium with plate complete SB36)	01.01.2016 →	1
3	1547277	FOTPLATE S38 K4 Alu	01.01.2016 →	1
4	1547278	(Footrest K4 Aluminium with plate complete SB40)	01.01.2016 →	1
5	1547279	(Footrest K4 Aluminium with plate complete SB42)	01.01.2016 →	1
6	1547280	(Footrest K4 Aluminium with plate complete SB44)	01.01.2016 →	1
7	1517791	(Footrest K4 Titanium with plate complete SB34)	01.01.2016 →	1
8	1517792	(Footrest K4 Titanium with plate complete SB36)	01.01.2016 →	1
9	1517793	(Footrest K4 Titanium with plate complete SB38)	01.01.2016 →	1
10	1517794	FOTSTØTTE SB40 TITAN K-SERIES KUSCHALL	01.01.2016 →	1
11	1517795	(Footrest K4 Titanium with plate complete SB42)	01.01.2016 →	1
12	1517796	(Footrest K4 Titanium with plate complete SB44)	01.01.2016 →	1
13	1547282	(Footrest AirLite Aluminium with plate complete SB34)	01.01.2016 →	1
14	1547283	(Footrest AirLite Aluminium with plate complete SB36)	01.01.2016 →	1
15	1547284	(Footrest AirLite Aluminium with plate complete SB38)	01.01.2016 →	1
16	1547285	(Footrest AirLite Aluminium with plate complete SB40)	01.01.2016 →	1
17	1547286	(Footrest AirLite Aluminium with plate complete SB42)	01.01.2016 →	1
18	1547287	(Footrest AirLite Aluminium with plate complete SB44)	01.01.2016 →	1
19	1517804	(Footrest AirLite Titanium with plate complete SB34)	01.01.2016 →	1
20	1517805	(Footrest AirLite Titanium with plate complete SB36)	01.01.2016 →	1
21	1517806	(Footrest AirLite Titanium with plate complete SB38)	01.01.2016 →	1
22	1517807	FOTSTØTTE SB40 TITAN K-SERIES KUSCHALL AIRLIT	01.01.2016 →	1
23	1517808	(Footrest AirLite Titanium with plate complete SB42)	01.01.2016 →	1
24	1517809	FOTBØYLE TITAN SB44 MED PLATE TIL K-SERIEN	01.01.2016 →	1
25	1547289	(Footrest K4 Aluminium complete SB34)	01.01.2014 →	1
26	1547290	(Footrest K4 Aluminium complete SB36)	01.01.2014 →	1
27	1547291	(Footrest K4 Aluminium complete SB38)	01.01.2014 →	1
28	1547292	FOTBØYLE K4 SB40 Alu KPL	01.01.2014 →	1
29	1547293	(Footrest K4 Aluminium complete SB42)	01.01.2014 →	1
30	1547294	(Footrest K4 Aluminium complete SB44)	01.01.2014 →	1
31	1485853	(Footrest K4 Titanium complete SB34)		1

(Footrest standard)

32	1485854	FOTBØYLE TITAN SB36 K4 2005		1
33	1485855	FOTBØYLE TITAN SB38 K4 2005		1
34	1485856	FOTBØYLE TITAN SB40 K4 2005		1
35	1485857	FOTBØYLE TITAN SB42 K4 2005		1
36	1485858	FOTBØYLE TITAN SB44 K4 2005	01.07.2013 →	1
37	1547296	(Footrest AirLite Aluminium complete SB34)	01.01.2014 →	1
38	1547321	(Footrest AirLite Aluminium complete SB36)	01.01.2014 →	1
39	1547322	(Footrest AirLite Aluminium complete SB38)	01.01.2014 →	1
40	1547323	(Footrest AirLite Aluminium complete SB40)	01.01.2014 →	1
41	1547324	(Footrest AirLite Aluminium complete SB42)	01.01.2014 →	1
42	1547325	(Footrest AirLite Aluminium complete SB44)	01.01.2014 →	1
43	1485859	FOTBØYLE TITAN SB44 AIRLITE 2005		1
44	1485860	FOTBØYLE TITAN SB36 AIRLITE 2005		1
45	1485861	(Footrest AirLite Titanium complete SB38)		1
46	1485862	FOTBØYLE TITAN SB40 AIRLITE 2005		1
47	1485863	FOTBØYLE TITAN SB40 SB42 AIRLITE 2005		1
48	1485864	FOTBØYLE TITAN SB44 KUSCHALL	01.07.2013 →	1
49	1583594	(Footplate 154mm)	01.01.2016 →	1
50	1583595	(Footplate 174mm)	01.01.2016 →	1
51	1583596	(Footplate 194mm)	01.01.2016 →	1
52	1583597	(Footplate 214mm)	01.01.2016 →	1
53	1583598	(Footplate 234mm)	01.01.2016 →	1
54	1583599	(Footplate 254mm)	01.01.2016 →	1
55	SP1589855	(Footplate Titanium 164mm)	01.01.2016 →	1
56	SP1589856	(Footplate Titanium 184mm)	01.01.2016 →	1
57	SP1589857	(Footplate Titanium 204mm)	01.01.2016 →	1
58	SP1589858	(Footplate Titanium 224mm)	01.01.2016 →	1
59	SP1589859	(Footplate Titanium 244mm)	01.01.2016 →	1
60	SP1589860	(Footplate Titanium 264mm)	01.01.2016 →	1
61	1547274	(Footplate sleeve Alu)	01.01.2014 →	1
62	1451717	FESTE FOTBØYLE TITAN K4		1

(Footrest standard for adducted frame)

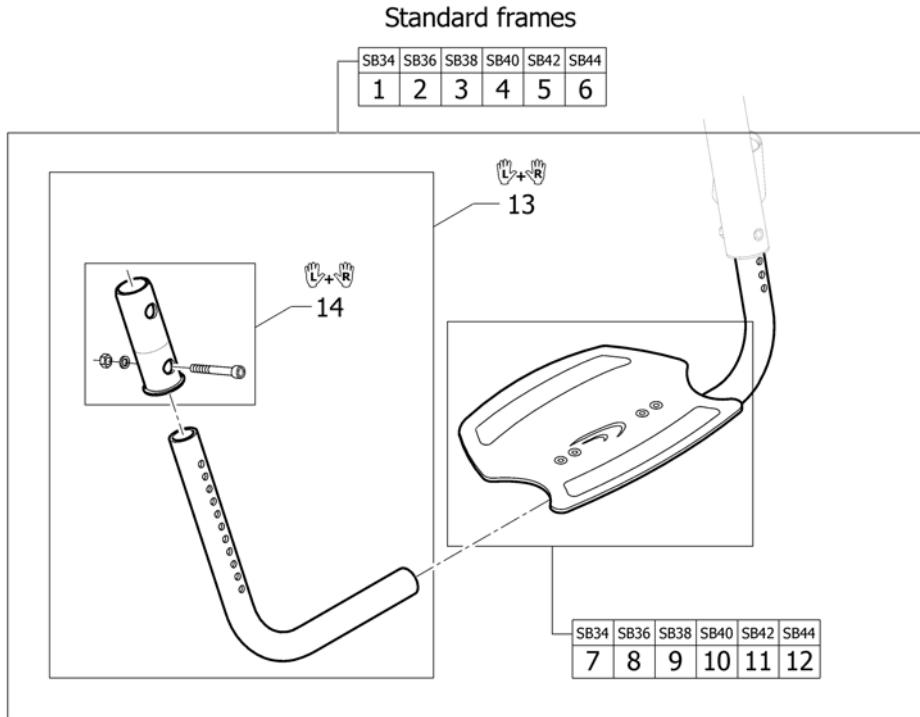


1	SP1601971	(Footrest Aluminium 270mm with plate for frame 75°, complete)	01.01.2016 →	1
2	SP1601972	(Footrest Aluminium 290mm with plate for frame 75°, complete)	01.01.2016 →	1
3	SP1601973	(Footrest Aluminium 310mm with plate for frame 75°, complete)	01.01.2016 →	1
4	SP1601974	(Footrest Aluminium 330mm with plate for frame 75°, complete)	01.01.2016 →	1
5	SP1601975	(Footrest Aluminium 350mm with plate for frame 75°, complete)	01.01.2016 →	1
6	SP1601976	(Footrest Aluminium 370mm with plate for frame 75°, complete)	01.01.2016 →	1
7	SP1601977	(Footrest Titanium 269mm with plate for frame 75°, complete)	01.01.2016 →	1
8	SP1601978	(Footrest Titanium 289mm with plate for frame 75°, complete)	01.01.2016 →	1
9	SP1601979	(Footrest Titanium 309mm with plate for frame 75°, complete)	01.01.2016 →	1
10	SP1601980	(Footrest Titanium 329mm with plate for frame 75°, complete)	01.01.2016 →	1
11	SP1601981	(Footrest Titanium 349mm with plate for frame 75°, complete)	01.01.2016 →	1
12	SP1601982	(Footrest Titanium 369mm with plate for frame 75°, complete)	01.01.2016 →	1
13	SP1601983	(Footrest Aluminium 270mm with plate for frame 90°, complete)	01.01.2016 →	1
14	SP1602012	(Footrest Aluminium 290mm with plate for frame 90°, complete)	01.01.2016 →	1
15	SP1602162	(Footrest Aluminium 310mm with plate for frame 90°, complete)	01.01.2016 →	1
16	SP1602163	(Footrest Aluminium 330mm with plate for frame 90°, complete)	01.01.2016 →	1
17	SP1602164	(Footrest Aluminium 350mm with plate for frame 90°, complete)	01.01.2016 →	1
18	SP1602165	(Footrest Aluminium 370mm with plate for frame 90°, complete)	01.01.2016 →	1
19	SP1602166	(Footrest Titanium 269mm with plate for frame 90°, complete)	01.01.2016 →	1
20	SP1602167	(Footrest Titanium 289mm with plate for frame 90°, complete)	01.01.2016 →	1
21	SP1602168	(Footrest Titanium 309mm with plate for frame 90°, complete)	01.01.2016 →	1
22	SP1602169	(Footrest Titanium 329mm with plate for frame 90°, complete)	01.01.2016 →	1
23	SP1602170	(Footrest Titanium 349mm with plate for frame 90°, complete)	01.01.2016 →	1
24	SP1602171	(Footrest Titanium 369mm with plate for frame 90°, complete)	01.01.2016 →	1
25	1583437	(Footrest Aluminium 270mm for frame 75°, complete)	08.08.2014 →	1
26	1580276	(Footrest Aluminium 290mm for frame 75°, complete)	01.01.2014 →	1
27	1580277	(Footrest Aluminium 310mm for frame 75°, complete)	01.01.2014 →	1
28	1580278	(Footrest Aluminium 330mm for frame 75°, complete)	01.01.2014 →	1
29	1580279	(Footrest Aluminium 350mm for frame 75°, complete)	01.01.2014 →	1
30	1580280	(Footrest Aluminium 370mm for frame 75°, complete)	01.01.2014 →	1
31	1580423	(Footrest Titanium 269mm for frame 75°, complete)		1

(Footrest standard for adducted frame)

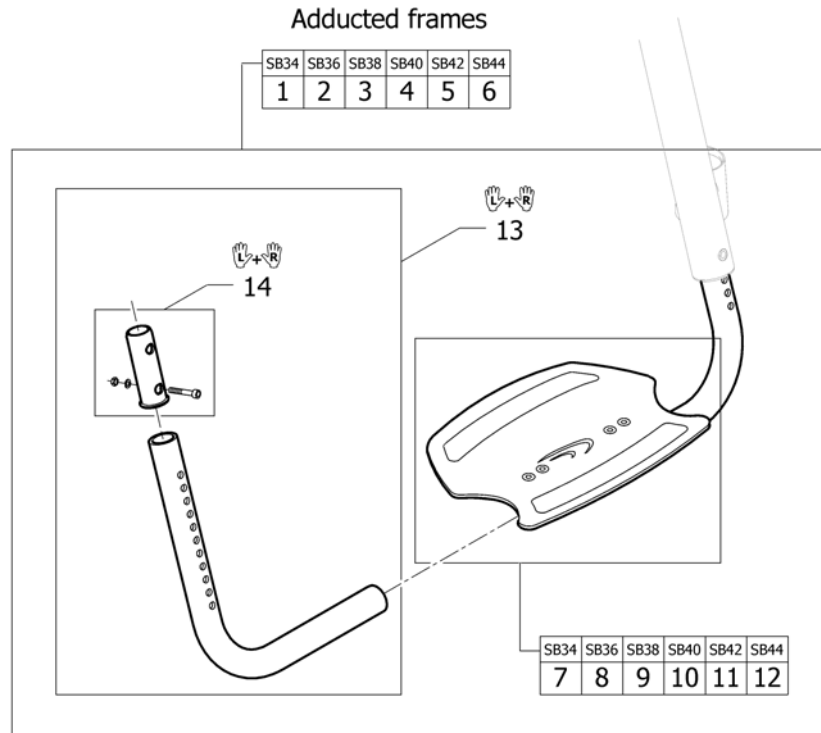
32	1580424	(Footrest Titanium 289mm for frame 75°, complete)		1
33	1580425	(Footrest Titanium 309mm for frame 75°, complete)		1
34	1580426	(Footrest Titanium 329mm for frame 75°, complete)		1
35	1580427	(Footrest Titanium 349mm for frame 75°, complete)		1
36	1580428	(Footrest Titanium 369mm for frame 75°, complete)		1
37	1583438	(Footrest Aluminium 270mm for frame 90°, complete)	08.08.2014 →	1
38	1580407	(Footrest Aluminium 290mm for frame 90°, complete)	01.01.2014 →	1
39	1580416	(Footrest Aluminium 310mm for frame 90°, complete)	01.01.2014 →	1
40	1580417	(Footrest Aluminium 330mm for frame 90°, complete)	01.01.2014 →	1
41	1580418	(Footrest Aluminium 350mm for frame 90°, complete)	01.01.2014 →	1
42	1580419	(Footrest Aluminium 370mm for frame 90°, complete)	01.01.2014 →	1
43	1580432	(Footrest Titanium 269mm for frame 90°, complete)		1
44	1580433	(Footrest Titanium 289mm for frame 90°, complete)		1
45	1580434	(Footrest Titanium 309mm for frame 90°, complete)		1
46	1580435	(Footrest Titanium 329mm for frame 90°, complete)		1
47	1580436	(Footrest Titanium 349mm for frame 90°, complete)		1
48	1580437	(Footrest Titanium 369mm for frame 90°, complete)		1
49	1583594	(Footplate 154mm)	01.01.2016 →	1
50	1583595	(Footplate 174mm)	01.01.2016 →	1
51	1583596	(Footplate 194mm)	01.01.2016 →	1
52	1583597	(Footplate 214mm)	01.01.2016 →	1
53	1583598	(Footplate 234mm)	01.01.2016 →	1
54	1583599	(Footplate 254mm)	01.01.2016 →	1
55	SP1589855	(Footplate Titanium 164mm)	01.01.2016 →	1
56	SP1589856	(Footplate Titanium 184mm)	01.01.2016 →	1
57	SP1589857	(Footplate Titanium 204mm)	01.01.2016 →	1
58	SP1589858	(Footplate Titanium 224mm)	01.01.2016 →	1
59	SP1589859	(Footplate Titanium 244mm)	01.01.2016 →	1
60	SP1589860	(Footplate Titanium 264mm)	01.01.2016 →	1
61	1547274	(Footplate sleeve Alu)	01.01.2014 →	1
62	1451717	FESTE FOTBØYLE TITAN K4	01.07.2013 →	1

(Footrest angle adjustable)

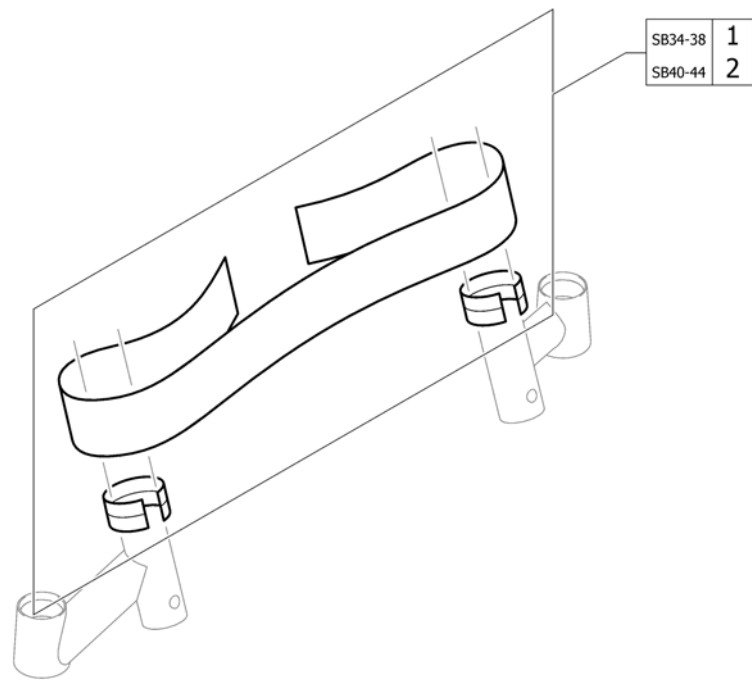


1	1547352	(Footrest angle adjustable complete SB34 to aluminium frames)		1
2	1547353	(Footrest angle adjustable complete SB36 to aluminium frames)		1
3	1547354	FOTBØYLE SB38 KARBON VINKELJU. Kpl. SB40 KSL		1
4	1547355	FOTBØYLE SB40 KARBON VINKELJU. Kpl. SB40 KSL		1
5	1547356	(Footrest angle adjustable complete SB42 to aluminium frames)		1
6	1547357	(Footrest angle adjustable complete SB44 to aluminium frames)	01.07.2013 →	1
7	1547369	(footplate with clamping part SB34)		1
8	1547370	FOTPLATE KARBON SB36 KPL K10		1
9	1547371	(footplate with clamping part SB38)		1
10	1547372	FOTPLATE KARBON SB40 KSL		1
11	1547373	(footplate with clamping part SB42)		1
12	1547374	(footplate with clamping part SB44)	01.07.2013 →	1
13	1547368	(Telescopic tube kit to footrest angle adjustable to aluminium frames)		1
14	1547274	(Footplate sleeve Alu)		1

(Footrest angle adjustable for adducted frame)

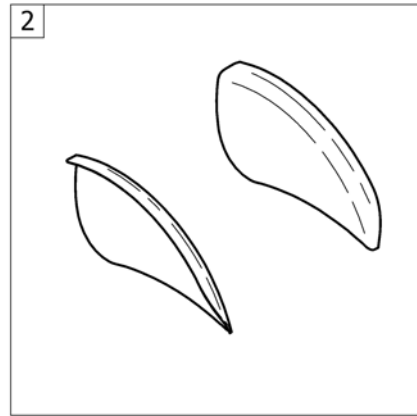
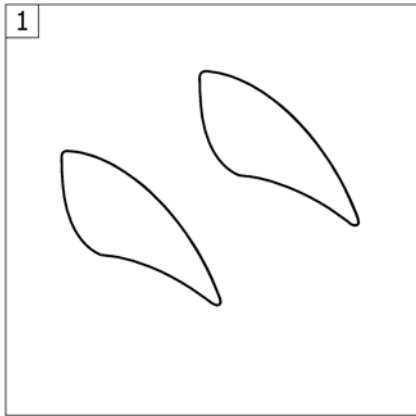


1	1580444	(Footrest angle adjustable complete SB34 for adducted frame)	1
2	1580445	(Footrest angle adjustable complete SB36 for adducted frame)	1
3	1580446	(Footrest angle adjustable complete SB38 for adducted frame)	1
4	1580447	(Footrest angle adjustable complete SB40 for adducted frame)	1
5	1580448	(Footrest angle adjustable complete SB42 for adducted frame)	1
6	1580449	(Footrest angle adjustable complete SB44 for adducted frame)	1
7	1547369	(footplate with clamping part SB34)	1
8	1547370	FOTPLATE KARBON SB36 KPL K10	1
9	1547371	(footplate with clamping part SB38)	1
10	1547372	FOTPLATE KARBON SB40 KSL	1
11	1547373	(footplate with clamping part SB42)	1
12	1547374	(footplate with clamping part SB44)	1
13	1547385	(Telescopic tube kit to footrest angle adjustable to adducted frame)	1
14	1547274	(Footplate sleeve Alu)	1

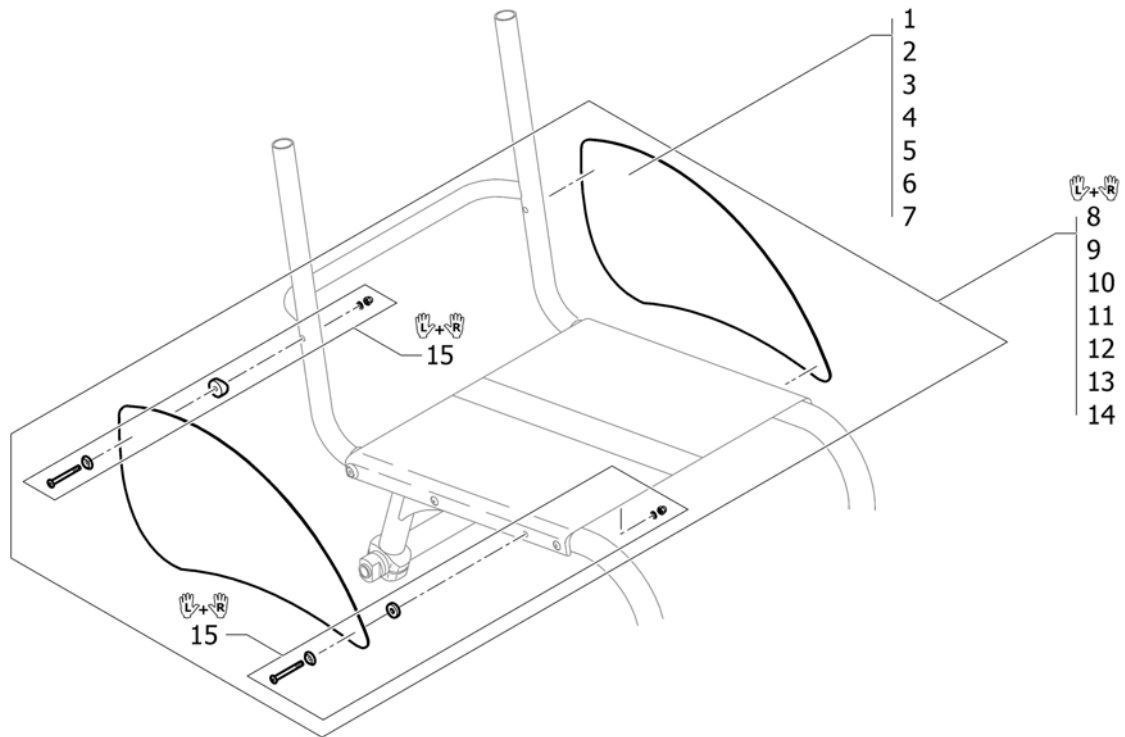


1	1529338	(Calf strap medium complete)	1
2	1529339	(Calf strap long complete)	1

Armlen

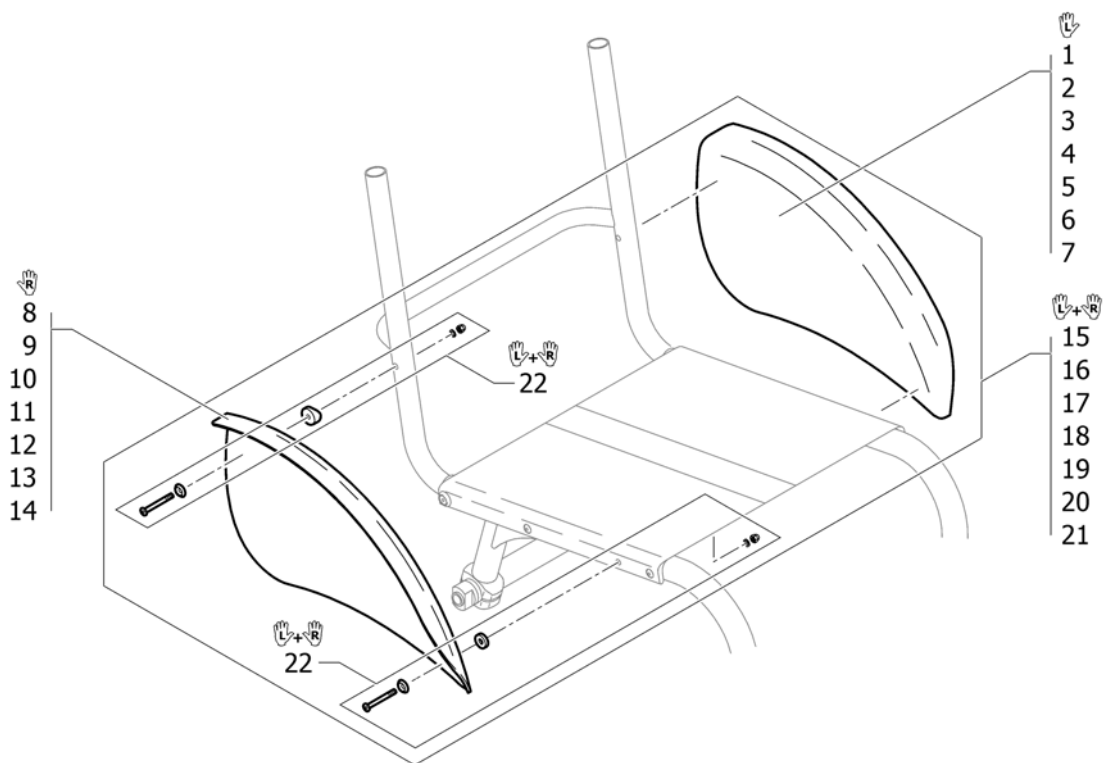


1	-	(Clothes-guards)	1
2	-	(Mudguards)	1

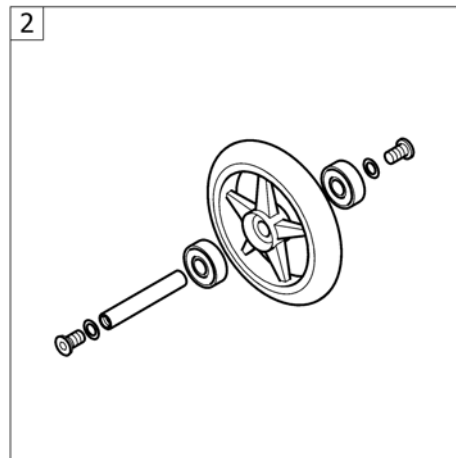
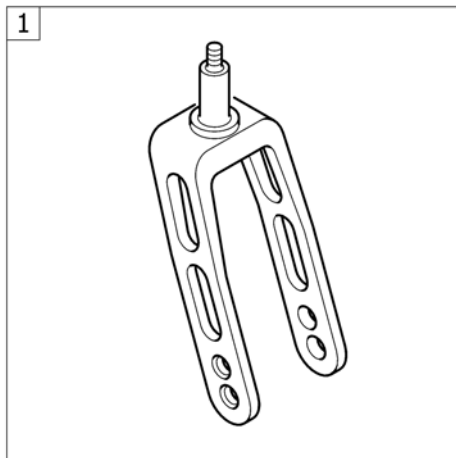


1	1528587	(Clothes-guard Carbon, size 1 (smallest))	2
2	1528588	KLESBESKYTTER CARBON 2 KSL STR. 2	2
3	1528589	(Clothes-guard Carbon, size 3)	2
4	1528590	(Clothes-guard Carbon, size 4)	2
5	1528591	(Clothes-guard Carbon, size 5)	2
6	1528592	(Clothes-guard Carbon, size 6)	2
7	1528593	(Clothes-guard Carbon, size 7 (largest))	2
8	1528594	KLESBESKYTTER PAR KPL M FESTE KSL STR 1 CARBONL	1
9	1528595	(Clothes-guard Carbon, size 2 with screws kit, pair)	1
10	1528596	(Clothes-guard Carbon, size 3 with screws kit, pair)	1
11	1528597	(Clothes-guard Carbon, size 4 with screws kit, pair)	1
12	1528598	KLESBESKYTTER PAR KPL M FESTE KSL STR 5 CARBON	1
13	1528599	(Clothes-guard Carbon, size 6 with screws kit, pair)	1
14	1528600	(Clothes-guard Carbon, size 7 (largest) with screws kit, pair)	1
15	1528601	(Fixation kit clothes-guard)	1

(Mudguards)

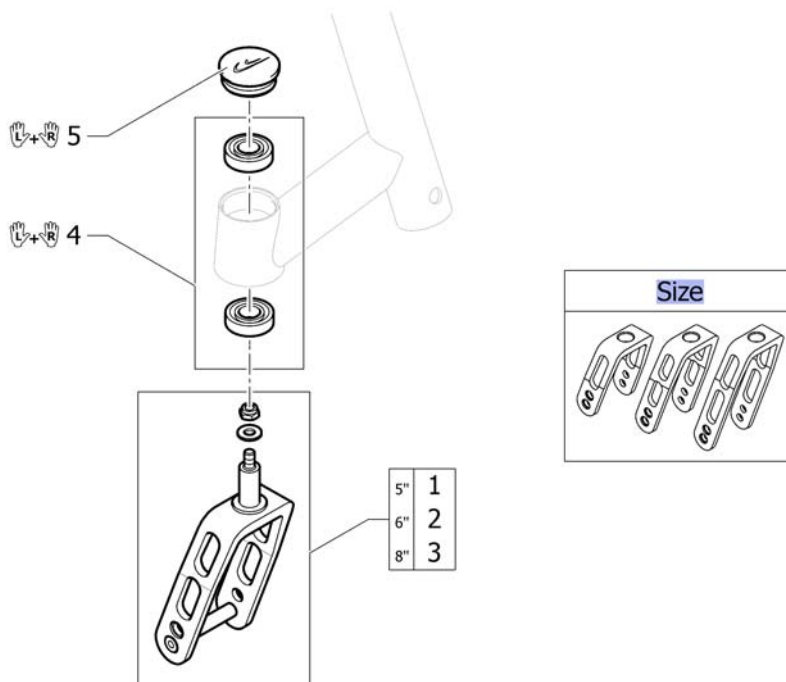


1	1528602	(Mudguard Carbon left, size 1 (smallest))	1
2	1528603	(Mudguard Carbon left, size 2)	1
3	1528604	(Mudguard Carbon left, size 3)	1
4	1528605	(Mudguard Carbon left, size 4)	1
5	1528606	(Mudguard Carbon left, size 5)	1
6	1528607	(Mudguard Carbon left, size 6)	1
7	1528608	(Mudguard Carbon left, size 7 (largest))	1
8	1528609	(Mudguard Carbon right, size 1 (smallest))	1
9	1528610	(Mudguard Carbon right, size 2)	1
10	1528611	(Mudguard Carbon right, size 3)	1
11	1528612	(Mudguard Carbon right, size 4)	1
12	1528613	(Mudguard Carbon right, size 5)	1
13	1528614	(Mudguard Carbon right, size 6)	1
14	1528615	(Mudguard Carbon right, size 7 (largest))	1
15	1528616	HJULSKJERM KPL PAR CARBON STR 1 KSL	1
16	1528617	(Mudguards Carbon, size 2 with screws kit, pair)	1
17	1528618	(Mudguards Carbon, size 3 with screws kit, pair)	1
18	1528619	(Mudguards Carbon, size 4 with screws kit, pair)	1
19	1528620	HJULSKJERM KPL PAR CARBON STR 5 KSL	1
20	1528621	(Mudguards Carbon, size 6 with screws kit, pair)	1
21	1528622	(Mudguards Carbon, size 7 (largest) with screws kit, pair)	1
22	1528646	MONTERINGSETT KLESBESKYTTER KSL	1



1	-	(Front forks)	1
2	-	(Front wheels)	1

(Front forks)

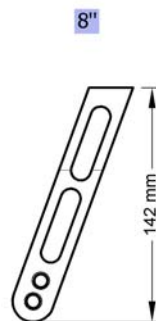
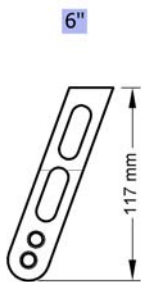


Size	-	(Configuration table for front fork size)		0
1	1432004-0004	GAFFEL 5 SVART KOMPLETT K-4 AIRLITE		2
1	1432004-0001	(Front fork 5" with bolt, chrome)		2
1	1432004-0182	(Front fork 5" with bolt, champagne)	01.01.2013 →	2
1	1432004-0183	(Front fork 5" with bolt, olive)	01.01.2013 →	2
1	1432004-0400	GAFFEL 5 ANTRASITT KPL FUSION CHAMPION 2003		2
1	1432004-0401	GAFFEL 5 BOLT SITRON	01.02.2009 → 31.12.2012	2
1	1432004-0402	GAFFEL 5 APRICOT KOMPLETT CHAMPION	01.07.2011 → 31.12.2012	2
1	1432004-0404	GAFFEL 5 BLÅ KOMPLETT CHAMPION/K-SERIEN 2003->		2
1	1432004-0440	GAFFEL 5 BOLT COMET		2
1	1432004-0441	(Front fork 5" with bolt, arctic blue)		2
1	1432004-0444	(Front fork 5" with bolt, copper glaze)		2
2	1432005-0004	GAFFEL 6 SVART KPL CHAMP COMP/ULTRALIGHT 2003		2
2	1432005-0001	(Front fork 6" with bolt, chrome)		2
2	1432005-0182	(Front fork 6" with bolt, champagne)	01.01.2013 →	2
2	1432005-0183	(Front fork 6" with bolt, olive)	01.01.2013 →	2
2	1432005-0400	GAFFEL 6 ANTRASITT KPL FUSION CHAMPION 2003		2
2	1432005-0401	GAFFEL 6 BOLT SITRON	01.02.2009 → 31.12.2012	2
2	1432005-0402	(Front fork 6" with bolt, apricot)	01.07.2011 → 31.12.2012	2
2	1432005-0404	GAFFEL 6 BOLT B-BLÅ		2
2	1432005-0440	GAFFEL 6 COMET RED KOMPLETT COMP/ULTR		2
2	1432005-0441	(Front fork 6" with bolt, arctic blue)		2
2	1432005-0444	GAFFEL 6 COPPER GLAZE KOMPLETT COMP/ULTR		2
3	1432006-0004	GAFFEL 8 SVART KOMPLETT FUSION K4		2
3	1432006-0001	(Front fork 8" with bolt, chrome)		2
3	1432006-0182	(Front fork 8" with bolt, champagne)	01.01.2013 →	2
3	1432006-0183	(Front fork 8" with bolt, olive)	01.01.2013 →	2
3	1432006-0400	GAFFEL 8 ANTRASITT KPL		2

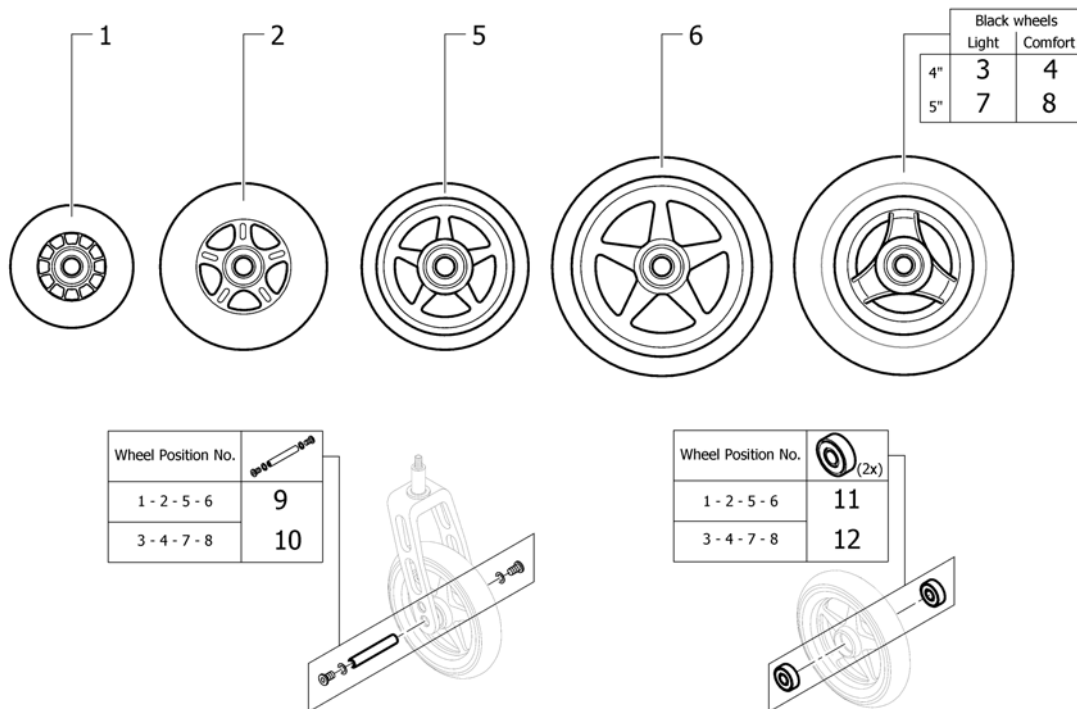
(Front forks)

3	1432006-0401	GAFFEL 8 BOLT SITRON	01.02.2009 → 31.12.2012	2
3	1432006-0402	(Front fork 8" with bolt, apricot)	01.07.2011 → 31.12.2012	2
3	1432006-0404	GAFFEL 8 BOLT B-BLÅ		2
3	1432006-0440	GAFFEL 8 BOLT COMET		2
3	1432006-0441	(Front fork 8" with bolt, arctic blue)		2
3	1432006-0444	GAFFEL 8 COPPER GLAZE KOMPLETT KUSCHALL		2
4	1451718	KULELAGER KO5 KUSCHALL		1
5	1487961-0004	STØVKAPPE GAFFELHUS SORT KUSCHALL K4 PAR		1
5	1487961-0001	(Bearing block cap pair, chrome)		1
5	1487961-0182	(Bearing block cap pair, champagne)	01.01.2013 →	1
5	1487961-0183	(Bearing block cap pair, olive)	01.01.2013 →	1
5	1487961-0400	(Bearing block cap pair, techno-anthrazit)		1
5	1487961-0401	(Bearing block cap pair, lemon)	01.02.2009 → 31.12.2012	1
5	1487961-0402	(Bearing block cap pair, apricot)	01.07.2011 → 31.12.2012	1
5	1487961-0404	STØVKAPPE GAFFELHUS BLÅ KUSCHALL K4 PAR		1
5	1487961-0440	(Bearing block cap pair, comet red)		1
5	1487961-0441	(Bearing block cap pair, arctic blue)		1
5	1487961-0444	(Bearing block cap, pair, copper glaze)		1

(Configuration table for front fork size)



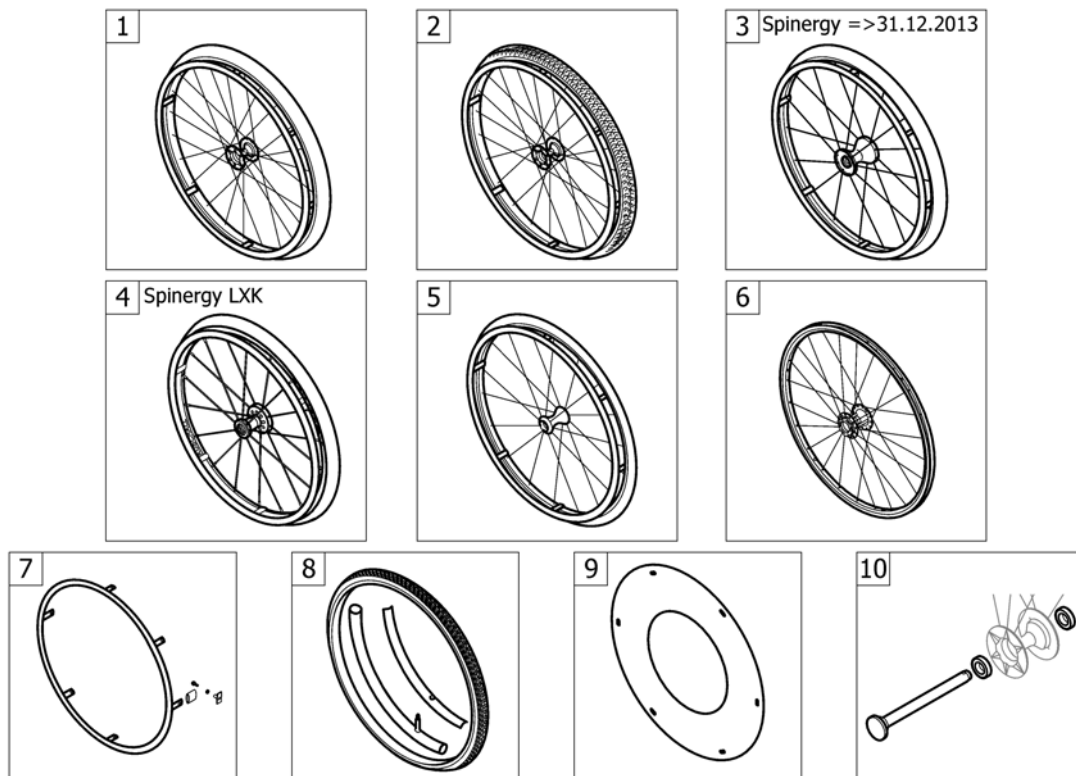
5" -	(Front fork, Size 5")	0
6" -	(Front fork, Size 6")	0
8" -	(Front fork, Size 8")	0

(Front wheels)

1	1513180	SVINGHJUL 3 KPL PLUS AKSLING 1420972		2
2	1513181	SVINGHJUL 4 SKATER TRANS PARENT		2
3	1562626	SVINGHJUL 4 EVERYDAY 3 EIKER SORT <i>Replaces 1513182</i>	01.07.2012 →	2
4	1561139	(4" Comfort wheel, black)	01.07.2012 →	2
5	1513183-0004	(4" Starec wheel, black anodized) <i>Replaces 1513183-0408</i>		2
5	1513183-0001	(4" Starec wheel, chrome)	01.07.2011 →	2
5	1513183-0182	(4" Starec wheel, champagne)	01.01.2013 →	2
5	1513183-0183	(4" Starec wheel, olive)	01.01.2013 →	2
5	1513183-0400	SVINGHJUL 4 STAREC TECHNO-ANTHRACITE		2
5	1513183-0401	SVINGHJUL 4 STAREC LEMON KUSCHALL	01.02.2009 → 31.12.2012	2
5	1513183-0402	(4" Starec wheel, apricot)	01.07.2011 → 31.12.2012	2
5	1513183-0404	SVINGHJUL 4 STAREC B-BLÅ KUSCHALL		2
5	1513183-0440	SVINGHJUL 4 STAREC COMET RØD		2
5	1513183-0444	SVINGHJUL 4 STAREC KOBBER.		2
6	1513187-0004	(5" Starec wheel, black anodized)		2
6	1513187-0001	(5" Starec wheel, chrome)	01.07.2011 →	2
6	1513187-0182	(5" Starec wheel, champagne)	01.01.2013 →	2
6	1513187-0183	(5" Starec wheel, olive)	01.01.2013 →	2
6	1513187-0400	SVINGHJUL 5 STAREC KUSCHALL TECHNO-ANTRACIT		2
6	1513187-0401	SVINGHJUL 5 STAREC LEMON KUSCHALL	01.02.2009 → 31.12.2012	2
6	1513187-0402	SVINGHJUL 5 STAREC KUSCHALL APRIKOS	01.07.2011 → 31.12.2012	2
6	1513187-0404	SVINGHJUL 5 STAREC KUSCHALL B-BLUE		2
6	1513187-0440	SVINGHJUL 5 STAREC COMET RØD		2
6	1513187-0444	SVINGHJUL 5 STAREC KUSCHALL COPPER-GLAZE		2
7	1562627	SVINGHJUL 5 EVERYDAY 3 EIKER SORT <i>Replaces 1513185</i>	01.07.2012 →	2

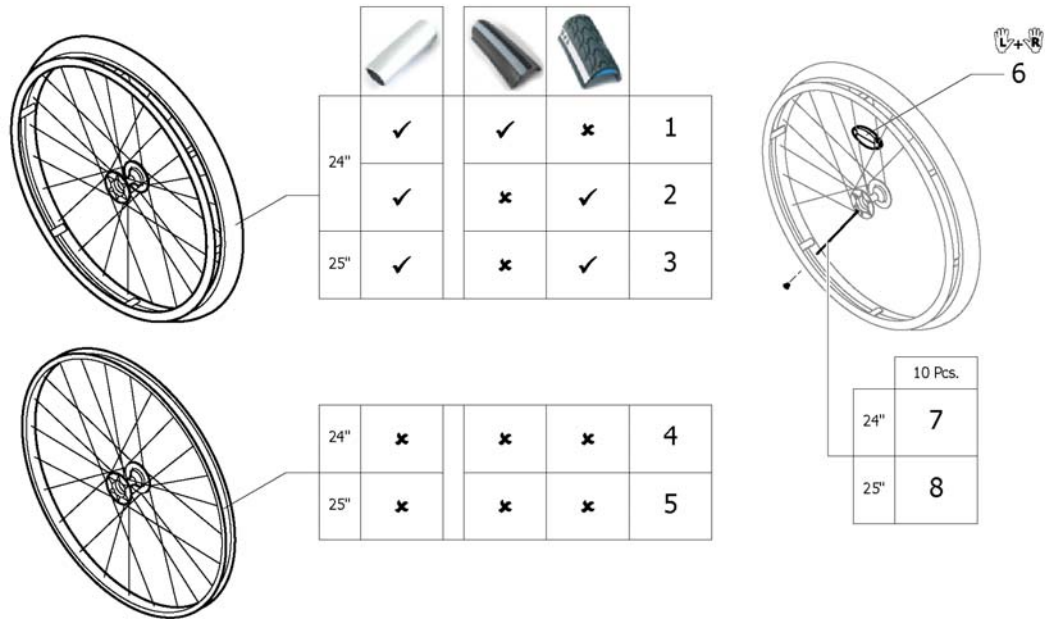
(Front wheels)

8	1542640	SVINGHJUL 5 SORT 4 CM KUSCHALL COMFORT <i>Replaces 1513186</i>	01.01.2011 →	2
9	1420972	AKSLINGSETT KPL STAREC/SKATE HJUL		2
10	1570108	AKSELSETT SVINGHJUL U DISTANSESKIVER		2
11	1570104	KULELAGER 8/22X7 KUSCHALL		2
12	1570105	KULELAGER PAR KUSCHALL 6000-2RS		2



1	-	(High Performance wheel)		1
2	-	(Mountainbike wheel)	01.02.2009 → 31.12.2013	1
3	-	(Spinergy wheel)	01.02.2009 → 31.12.2013	1
4	-	(Spinergy LXX wheel)	01.01.2014 →	1
5	-	(Ultra-light fibre wheel)	01.07.2011 → 31.12.2013	1
6	-	(Hub brake wheel)	01.07.2013 →	1
7	-	(Handrim)		1
8	-	(Tyre)		1
9	-	(Spokes guard)		1
10	-	(Quick release axle and bearing)		1

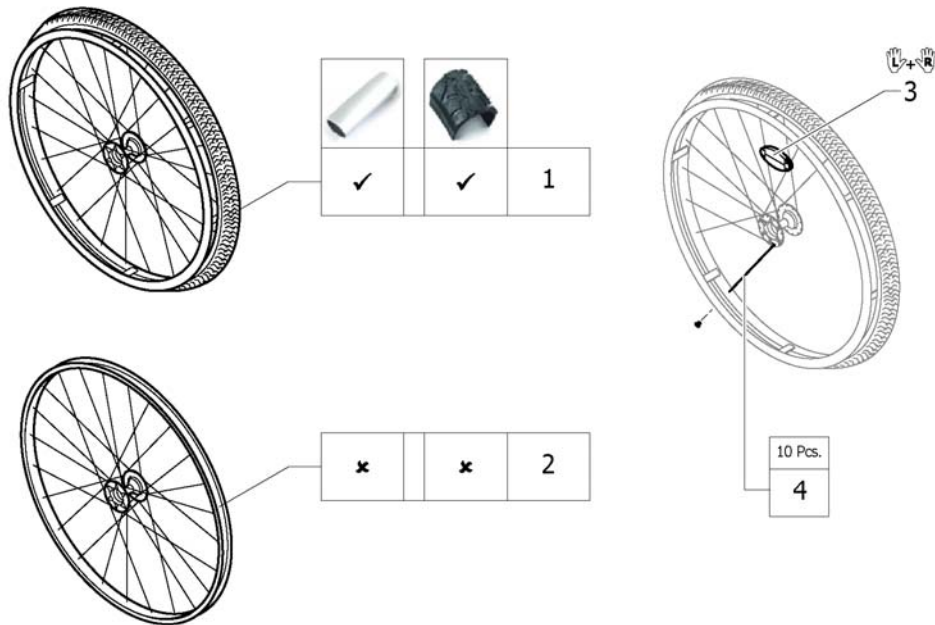
(High Performance wheel)



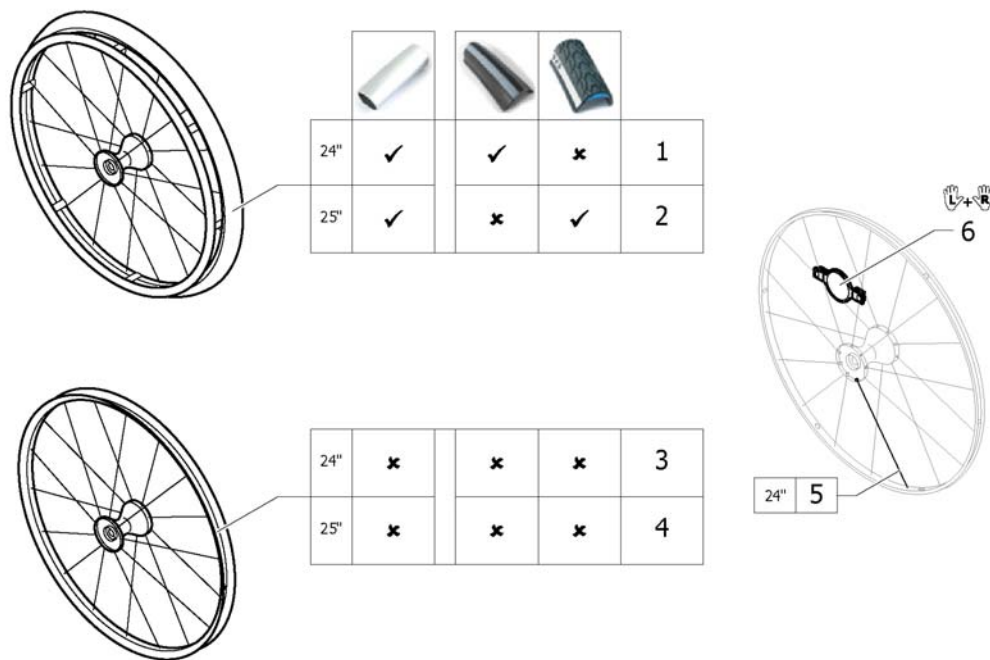
1	SP1601754-0004	(Rear wheel 24" High Performance black anodized, handrim, Rightrun black/ grey) <i>Replaces 1420958-0004</i>	01.01.2010 →	2
1	SP1601754-0001	(Rear wheel 24" High Performance chrome, handrim, Rightrun black/grey) <i>Replaces 1420958-0001</i>	01.07.2011 →	2
1	SP1601754-0182	(Rear wheel 24" High Performance champagne, handrim, Rightrun black/grey) <i>Replaces 1420958-0182</i>	01.01.2013 →	2
1	SP1601754-0183	(Rear wheel 24" High Performance olive, handrim, Rightrun black/grey) <i>Replaces 1420958-0183</i>	01.01.2013 →	2
1	SP1601754-0400	(Rear wheel 24" High Performance techno-anthracite, handrim, Rightrun black/ grey) <i>Replaces 1420958-0400</i>		2
1	SP1601754-0401	(Rear wheel 24" High Performance lemon, handrim, Rightrun black/grey) <i>Replaces 1420958-0401</i>	01.02.2009 → 31.12.2012	2
1	SP1601754-0402	(Rear wheel 24" High Performance apricot, handrim, Rightrun black/grey) <i>Replaces 1420958-0402</i>	01.07.2011 → 31.12.2012	2
1	SP1601754-0404	(Rear wheel 24" High Performance b-blue, handrim, Rightrun black/grey) <i>Replaces 1420958-0404</i>		2
1	SP1601754-0440	(Rear wheel 24" High Performance comet red, handrim, Rightrun black/grey) <i>Replaces 1420958-0440</i>		2
1	SP1601754-0441	(Rear wheel 24" High Performance arctic blue, handrim, Rightrun black/grey) <i>Replaces 1420958-0441</i>		2
1	SP1601754-0444	(Rear wheel 24" High Performance copper glaze, handrim, Rightrun black/grey) <i>Replaces 1420958-0444</i>		2
2	1527046-0004	DRIVHJUL 24 HØY PERMANCE SORT DRIV ALU DEKK ME	01.01.2010 →	2
2	1527046-0001	(Wheel 24", High Performance, chrome, handrim alu, tyre Marathon Evolution)	01.07.2011 →	2
2	1527046-0182	(Wheel 24", High Performance, champagne, handrim alu, tyre Marathon Evolution)	01.01.2013 →	2
2	1527046-0183	(Wheel 24", High Performance, olive, handrim alu, tyre Marathon Evolution)	01.01.2013 →	2

2	1527046-0400	DRIVHJUL 24 HØY PERMANCE TECHNO-ANTHRACITE DRIVR		2
2	1527046-0401	DRIVHJUL 24 HØY PERMANCE SITRON DRIVRING ALU DEK	01.02.2009 → 31.12.2012	2
2	1527046-0402	(Wheel 24", High Performance, apricot, handrim alu, tyre Marathon Evolution)	01.07.2011 → 31.12.2012	2
2	1527046-0404	DRIVHJUL 24 HØY PERMANCE B-BLÅ DRIVRING ALU DEKK		2
2	1527046-0440	DRIVHJUL 24 HØY PERMANCE COMET RØD DRIVRING ALU		2
2	1527046-0441	DRIVHJUL 24 HØY PERMANCE ARCTIC BLÅ DRIVRING ALU		2
2	1527046-0444	DRIVHJUL 24 HØY PERMANCE COPPER GLAZE DRIVRING A		2
3	1445479-0004	DRIVHJUL 25 HØY PERMANCE SORT DRIVRING ALU DEKK	01.01.2010 →	2
3	1445479-0001	(Wheel 25", High Performance, chrome, handrim alu, tyre Marathon Evolution)	01.07.2011 →	2
3	1445479-0182	(Wheel 25", High Performance, champagne, handrim alu, tyre Marathon Evolution)	01.01.2013 →	2
3	1445479-0183	(Wheel 25", High Performance, olive, handrim alu, tyre Marathon Evolution)	01.01.2013 →	2
3	1445479-0400	DRIVHJUL 25 HØY PERMANCE TECHNO-ANTHRACITE DRIVR		2
3	1445479-0401	DRIVHJUL 25 HØY PERMANCE SITRON DRIVRING ALU DEK	01.02.2009 → 31.12.2012	2
3	1445479-0402	DRIVHJUL 25 HØY PERMANCE APRIKOS DRIVRING ALU DE	01.07.2011 → 31.12.2012	2
3	1445479-0404	DRIVHJUL 25 HØY PERMANCE B-BLÅ DRIVRING ALU DEKK		2
3	1445479-0440	DRIVHJUL 25 HØY PERMANCE COMET RØD DRIVRING ALU		2
3	1445479-0441	DRIVHJUL 25 HØY PERMANCE ARCTIC BLÅ DRIVRING ALU		2
3	1445479-0444	DRIVHJUL 25 HØY PERMANCE COPPER GLAZE DRIVRING A		2
4	1517723-0004	DRIVHJUL 24 HØY PERMANCE SVART UTEN DEKK OG DRIVR	01.01.2010 →	2
4	1517723-0001	(Wheel 24", High Performance, chrome, without handrim, without tyre)	01.07.2011 →	2
4	1517723-0182	(Wheel 24", High Performance, champagne, without handrim, without tyre)	01.01.2013 →	2
4	1517723-0183	(Wheel 24", High Performance, olive, without handrim, without tyre)	01.01.2013 →	2
4	1517723-0400	(Wheel 24", High Performance, techno-anthracite, without handrim, without tyre)		2
4	1517723-0401	(Wheel 24", High Performance, lemon, without handrim, without tyre)	01.02.2009 → 31.12.2012	2
4	1517723-0402	(Wheel 24", High Performance, apricot, without handrim, without tyre)	01.07.2011 → 31.12.2012	2
4	1517723-0404	DRIVHJUL 24 HØY PERMANCE B-BLÅ UTEN DRIVRING UTE		2
4	1517723-0440	DRIVHJUL 24 HØY PERMANCE COMET RØD UTEN DRIVRING		2
4	1517723-0441	(Wheel 24", High Performance, arctic blue, without handrim, without tyre)		2
4	1517723-0444	DRIVHJUL 24 HØY PERMANCE COPPER GLAZE UTEN DRIVR		2
5	1562937-0004	(Wheel 25", High Performance, black, without handrim, without tyre)	01.01.2010 →	2
5	1562937-0001	(Wheel 25", High Performance, chrome, without handrim, without tyre)	01.07.2011 →	2
5	1562937-0182	(Wheel 25", High Performance, champagne, without handrim, without tyre)	01.01.2013 →	2
5	1562937-0183	(Wheel 25", High Performance, olive, without handrim, without tyre)	01.01.2013 →	2
5	1562937-0400	(Wheel 25", High Performance, techno-anthrac., without handrim, without tyre)		2
5	1562937-0401	(Wheel 25", High Performance, lemon, without handrim, without tyre)	01.02.2009 → 31.12.2012	2
5	1562937-0402	(Wheel 25", High Performance, apricot, without handrim, without tyre)	01.07.2011 → 31.12.2012	2
5	1562937-0404	(Wheel 25", High Performance, b-blue, without handrim, without tyre)		2
5	1562937-0440	(Wheel 25", High Performance, comet red, without handrim, without tyre)		2
5	1562937-0441	(Wheel 25", High Performance, arctic blue, without handrim, without tyre)		2
5	1562937-0444	(Wheel 25", High Performance, copper glaze, without handrim, without tyre)		2
6	1571073	(Spokereflection, pair) <i>Replaces 220.1033</i>		1
7	1578867	(Spokes kit for High Performance wheel 24", 10 Pcs.)		1
8	1578868	(Spokes kit for High Performance wheel 25", 10 Pcs.)		1

(Mountainbike wheel)

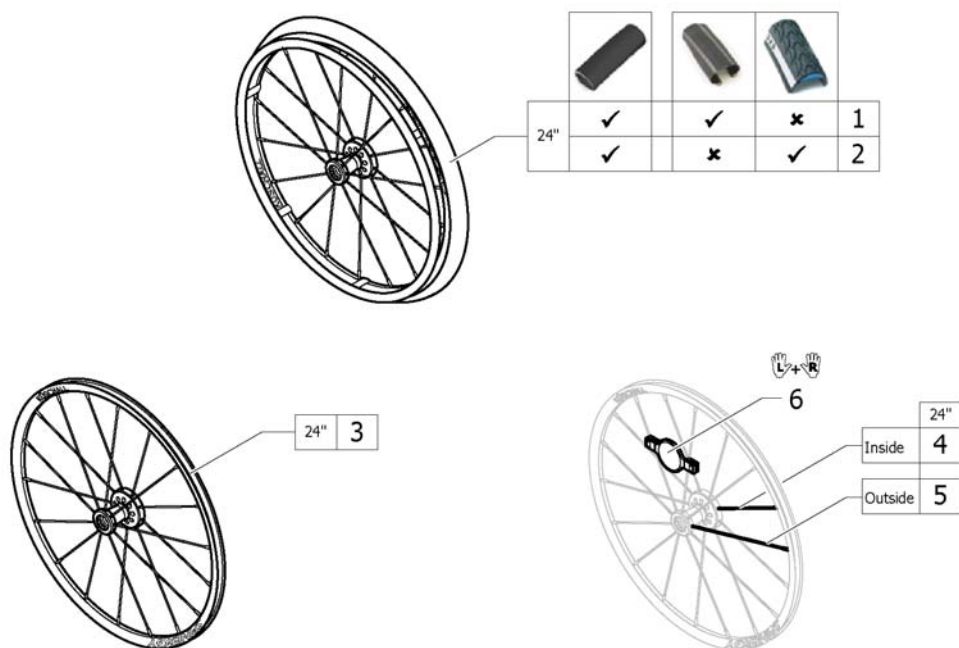


1	1517875	DRIVHJUL 24 MOUTAINDRIVE 22 DRIVRING SVARTE EIKER	01.02.2009 → 31.12.2013	2
2	1529327	(Rear wheel Mountain Bike 24", without handrim, without tyre) <i>Replaces 1439420</i>	01.02.2009 → 31.12.2013	2
3	1571073	(Spokereflection, pair) <i>Replaces 220.1033</i>	01.02.2009 → 31.12.2013	1
4	1579085	(Spokes kit for Mountain Bike wheel, 10 Pcs.)	01.02.2009 → 31.12.2013	1

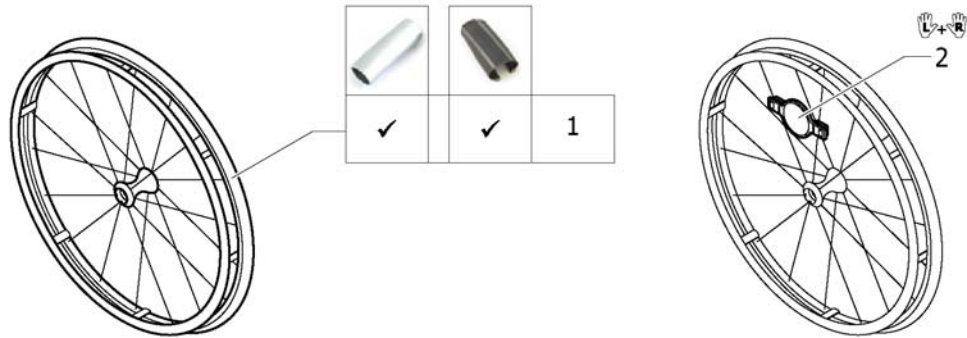


1	SP1601755	(Rear wheel 24" Spinergy, handrim, Rightrun black/grey) <i>Replaces 1485805</i>	01.02.2009 → 31.12.2013	2
2	1525127	DRIVHJUL 25 SPINERGY ALU DRIVR MARATHON EVOLUTION	01.02.2009 → 31.12.2013	2
3	1570426	DRIVHJUL 24 SPINERGY KUN FELG	01.02.2009 → 31.12.2013	2
4	1525128	DRIVHJUL SPINERGY 25" KUSCHALL	01.02.2009 → 31.12.2013	2
5	1579092	(Spoke for Spinergy wheel 24", 1 Pcs.)	01.02.2009 → 31.12.2013	36
6	1571088	(Spoke reflection for Spinergy wheel, pair) <i>Replaces 1451931</i>	01.02.2009 → 31.12.2013	1

(Spinergy LXX wheel)

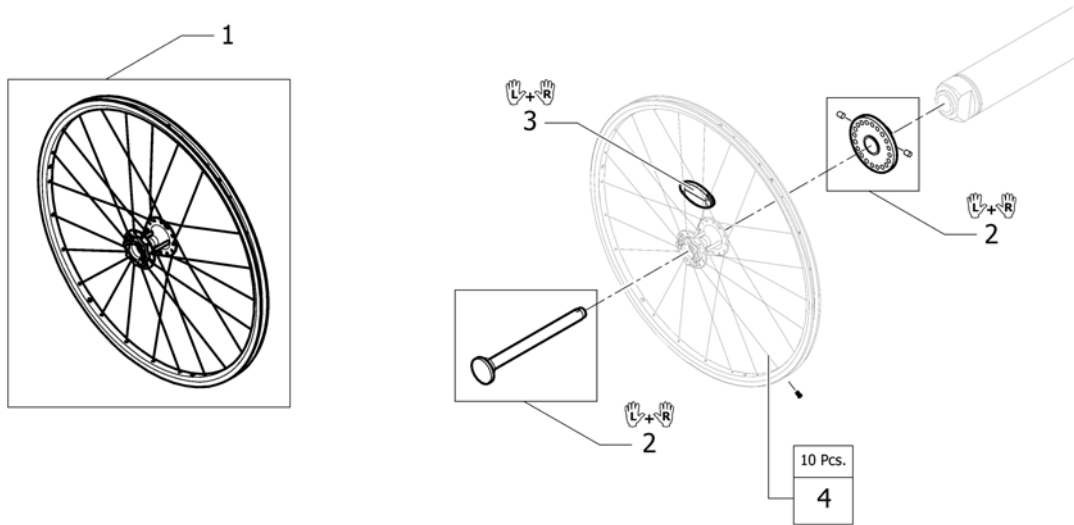


1	1579101	(Rear wheel 24", Spinergy LXX, handrim aluminium black, tyre Schwalbe One)	2
2	1579105	(Rear wheel 24", Spinergy LXX, handrim aluminium black, tyre Marathon Evolution)	2
3	1579102	DRIVHJUL 24 Spinergy LXX UTEN DEKK OG DRIVRING	2
4	1579103	(Spoke inside for Spinergy LXX wheel 24", 236mm., 1 Pcs.)	9
5	1579104	(Spoke outside for Spinergy LXX wheel 24", 249mm., 1 Pcs.)	9
6	1571088	(Spoke reflection for Spinergy wheel, pair)	1



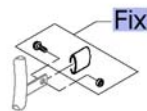
1	1578804	DRIVHJUL 24 ULTRA-LIGHT FIBER HJUL M ULTREMOMO DEK <i>Replaces 1547628</i>	20.11.2013 → 31.12.2013	2
2	1571088	(Spoke reflection for Spinergy wheel, pair) <i>Replaces 1451931</i>		1

Küschall® The KSL | Drivhjul
(Hub brake wheel)



1	1570645	(Hub brake wheel 24" without handrim, without tyre)	2
2	1570651	(Mounting kit with Quickrelease for Hub brake, pair)	1
3	1571073	(Spokereflection, pair) <i>Replaces 220.1033</i>	1
4	1579088	(Spokes kit for Hub brake wheel 24", 10 Pcs.)	1

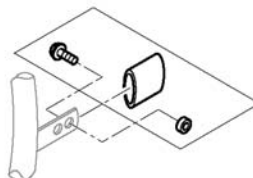
	22"		24"		25"		24"		24"		22"		24"		25"	
High Performance	-	2	3	-	5	6	7	8	-	10	11	12				
Mountainbike	1	-	-	4	-	-	-	-	9	-	-	-				
Spinergy	-	2	3	-	5	6	7	8	-	10	11	12				
Spinergy LXX	-	2	-	-	5	-	7	8	-	10	11	-				
Ultra Light Fibre	-	2	-	-	5	-	7	8	-	10	11	-				
Hub brake wheel	-	2	-	-	5	-	7	8	-	10	11	-				



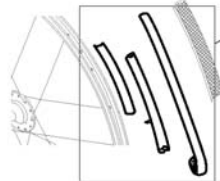
Fix	-	(Fixation handrim)	2
1	1568713-0005	(Handrim 22" Aluminium, distance 3cm)	01.02.2009 → 31.12.2013
2	1568714-0005	DRIVRING 24 ALU ELOKSERT KÜSCHALL st.SPINERGY	2
3	1568730-0005	(Handrim 25" Aluminium, distance 3cm)	2
4	1568713-0411	(Handrim 22" Aluminium, black, distance 3cm)	01.07.2013 → 31.12.2013
5	1568714-0411	DRIVRING 24 SORT LAKK ALU 3CM DISTANSE	01.07.2013 →
6	1568730-0411	(Handrim 25" Aluminium, black, distance 3cm)	01.07.2013 →
7	1568716	(Handrim 24" Titanium, distance 3cm)	2
8	1568715	DRIVRING 24 STÅL 3CM DIST	2
9	1568701	(Handrim 22" Super-Grip)	01.02.2009 → 31.12.2013
		<i>Replaces 457.1045.429</i>	
10	1568703	DRIVRING 24 SUPERGRIP KUSCHALL	2
		<i>Replaces 457.1017.429</i>	
11	1556916	DRIVRING 24 SURGE KUSCHALL	2
12	1556917	DRIVRING 25 SURGE KUSCHALL	2

Küschall® The KSL | Drivhjul
(Fixation handrim)

	Aluminium		Titanium		Steel		Supergrip		Surge	
High Performance	1	1	1	1	1	1	1	1	2	1
Mountainbike	3	3	3	-	-	-	3	3	-	-
Spinergy	3	-	3	-	3	-	3	-	4	-
Spinergy LXX	1	-	1	-	1	-	1	-	2	-
Ultra Light Fibre	1	-	1	-	1	-	1	-	2	-
Hub brake wheel	1	1	1	1	1	1	1	1	2	1



1	1496019	FIKSERINGSKIT FOR DRIVRING HIGH PERFORM 3	2
2	1497111	(Fixation kit handrim for High Performance wheel, 4 cm with spokes guard)	2
3	1496015	(Fixation kit handrim for Mountain bike wheel, 3 cm)	2
4	1496018	(Fixation kit handrim for Mountain bike wheel, 4 cm with spokes guard)	2



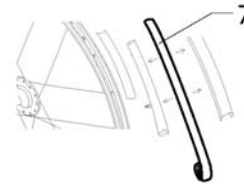
	24"		25"		24"		24"	
High Performance	1	7	2	8	3	9	5	-
Mountainbike	-	-	-	-	-	-	-	6
Spinerger	1	7	2	8	3	9	5	-
Spinerger LXX	1	-	2	-	3	-	5	-
Ultra Light Fibre	1	7	2	8	3	9	5	-
Hub brake wheel	1	-	2	-	3	-	5	-

Acc.	-	(Inner tube and rim protector)		2
1	SP1590118	DEKK 24 Rightrun SORT/GRÅ KUSCHALL <i>Replaces 1570828</i>		2
2	1570838	DEKK 24 MARATHON KUSHALL PKT SIKKER <i>Replaces 1438521</i>		2
3	1578802	DEKK 24 SCHWALBE SPEEDRUN 24" KUSCHALL <i>Replaces 1528649</i>	20.11.2013 →	2
5	1562581	DEKK 24" Rightrun BLÅ	01.07.2013 →	2
6	1570830	DEKK 24 MOUNTAINDRIVE HJUL KUSH. ERST. 1420887 <i>Replaces 1420887</i>	01.02.2009 → 31.12.2013	2
7	SP1590412	(Tyre Rightrun black/grey 25") <i>Replaces 1570833</i>		2
8	1570841	(Tyre 25" Marathon Evolution) <i>Replaces 1493769</i>		2
9	1578803	(Tyre 25" Schwalbe One) <i>Replaces 1528650</i>	20.11.2013 →	2

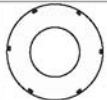











(Inner tube and rim protector)

		24"		25"		24"		24"	
		24"	25"	24"	25"	24"	25"	24"	24"
High Performance	A	1	4	1	4	1	4	1	-
	B	6	6	6	6	6	6	6	-
Mountainbike	A	-	-	-	-	-	-	-	3
	B	-	-	-	-	-	-	-	5
Spinerger	A	1	4	1	4	1	4	1	-
	B	6	6	6	6	6	6	6	-
Spinerger LXX	A	1	-	1	-	1	-	1	-
	B	6	-	6	-	6	-	6	-
Ultra Light Fibre	A	-	-	-	-	2	-	-	-
	B	-	-	-	-	6	-	-	-
Hub brake wheel	A	1	-	1	-	1	-	1	-
	B	6	-	6	-	6	-	6	-

Inner Tube (A) Rim protector (B)


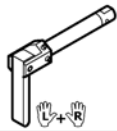






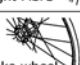


1	1570849	SLANGE 24"X1		2
2	1550284	(Inner Tube 24" for Ultra-light fibre wheel)	01.02.2009 → 31.12.2013	2
3	1570852	SLANGE MOUNTAINDRIVE (47-507) ERST. 1420884	01.02.2009 → 31.12.2013	2
4	1570851	(Inner tube 26" for High-Performance wheel)		2
5	1570844	(Rim protection 22")	01.02.2009 → 31.12.2013	2
6	1495962	FELG BÅND HIGH PERFORMANCE DEKK KUSCHAL		2
7	1571072	(Rear wheel inset anti-flat for 20,22,24,26" tyre)		2

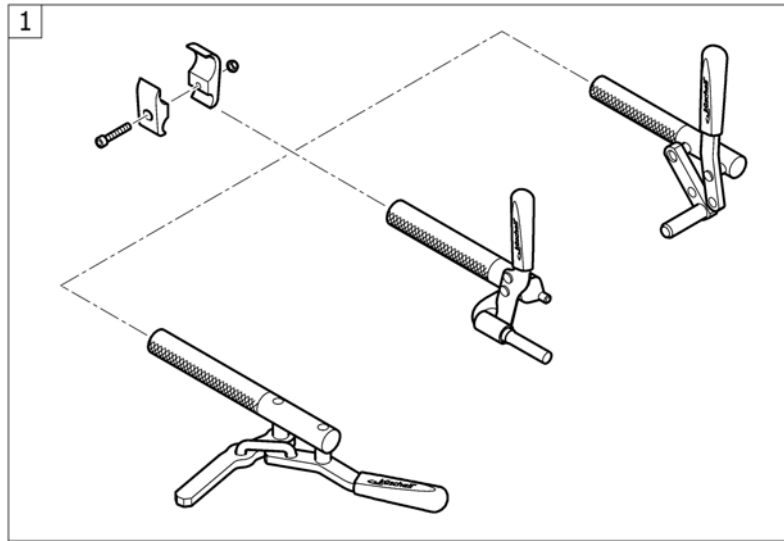
						
	22"	24"	24"	24"	24"	24"
High Performance 	-	2	3	4	5	6
Mountainbike 	1	-	-	-	-	-
Spinerger 	-	2	3	4	5	6
Spinerger LXX 	-	-	-	-	-	-
Ultra Light Fibre 	-	-	-	-	-	-
Hub brake wheel 	-	2	3	4	5	6

1	1564453	EIKEBESKYTTER 22 TRANSPERENT KUSCHALL <i>Replaces 736.1005</i>	01.02.2009 → 31.12.2013	2
2	1564457	EIKEBESKYTTER 24 TRANSPERENT KUSCHALL <i>Replaces 736.1004</i>		2
3	1564456	EIKEBESKYTTER 24 SVART KUSCHALL LOGO <i>Replaces 736.1002</i>		2
4	1564459	EIKEBESKYTTER 24" KARBON <i>Replaces 736.1014</i>	01.02.2009 → 31.12.2013	2
5	1564462	(Spokes guard Switzerland 24") <i>Replaces 1497108</i>	01.02.2009 → 30.06.2013	2
6	1564463	(Spokes guard Pirates 24") <i>Replaces 1497109</i>	01.02.2009 → 31.12.2012	2

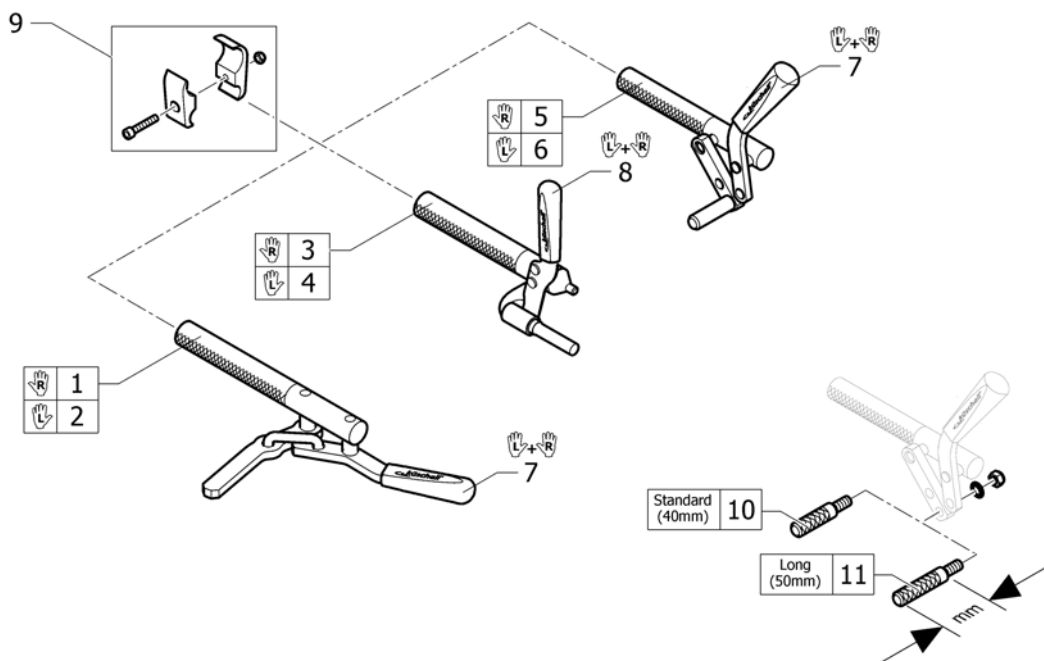
(Quick release axle and bearing)

			
 High Performance	1	4	6
 Mountainbike	1	4	6
 Spinergy	2	5	6
 Spinergy LXX	2	-	6
 Ultra Light Fibre	3	4	6
 Hub brake wheel	2	5	6

1	1509137-0001	(Quick release axles long with cap, pair, chrome)		1
1	1509137-0004	HURTIGKOBLINGSBOLT L 128 M SORT KNAPP KUSCHAL PAR		1
1	1509137-0182	(Quick release axles long with cap, pair, champagne)		1
1	1509137-0183	(Quick release axles long with cap, pair, olive)		1
1	1509137-0400	HURTIGKOBLING LANG KNAPP TECNO PAR		1
1	1509137-0401	HURTIGKOBLING LANG KNAPP SITRON PAR		1
1	1509137-0402	HURTIGKOBLING LANG KNAPP APRIKOS PAR		1
1	1509137-0404	HURTIGKOBLING LANG KNAPP B-BLÅ PAR		1
1	1509137-0407	HURTIGKOBLINGSBOLT L 128 FARGELØS KNAPP KUSCH.PAR		1
1	1509137-0440	HURTIGKOBLING LANG KNAPP COMET PAR		1
1	1509137-0441	HURTIGKOBLINGSAKSEL LANG KNAPP ARCTIC PAR		1
1	1509137-0444	HURTIGKOBLINGSBOLT L 128 KOBBER KNAPP KUSCH.PAR		1
2	1507627	QR AKSEL FOR SPINERGY HJUL PAR		1
3	1547629	HURTIGKOBLINGSBOLT TIL ULTRA-LETT FIBERHJUL		1
4	1493755	HURTIGKOBLINGSBOLT L 128 TETRA KUSCHALL	01.01.2014 →	1
5	1512029	HURTIGKOBLINGSAKSEL HURT IGTKOBLING AKSEL AKSEL LA	01.01.2014 →	1
6	1571069	(Bearing R8-2RS 1/2"/1.1/8"x5/16", pair) <i>Replaces 5719103</i>		1

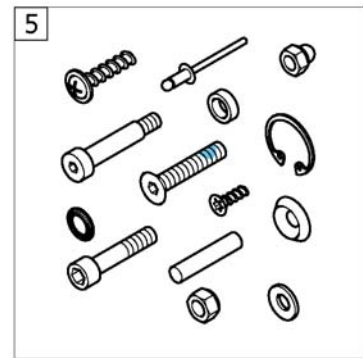
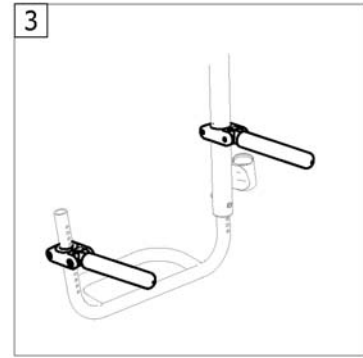
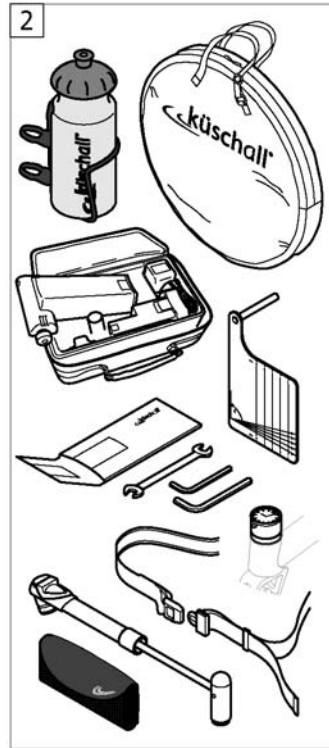
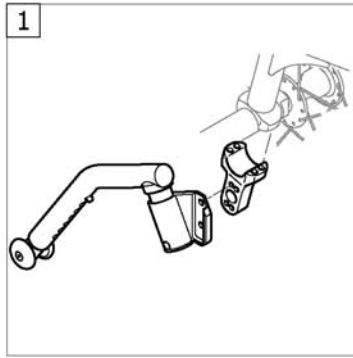


(Brakes)



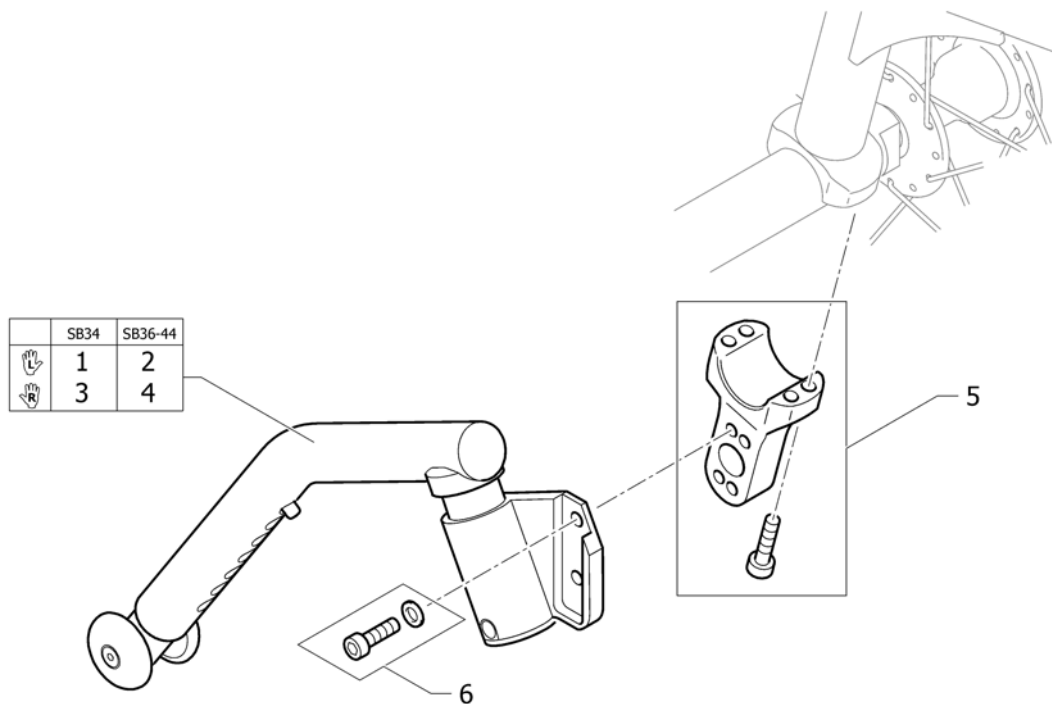
1	1512134	BREMS SAKSE HØ KUSCHALL FRA 150208	1
2	1512133	BREMS SAKSE VE KUSCHALL FRA 150208	1
3	1512132	BREMS PERFORMANCE HØ DEL UTEN KLEMME FRA 150208	1
4	1512131	BREMS PERFORMANCE VE UTEN KLEMME FRA 150208	1
5	1512126	BREMS SPAK FORMET HØ STD COUL FRA 150208	1
6	1512125	BREMS SPAK FORMET VE STD COUL FRA 150208	1
7	1513177	HÅNDTAK BREMS PAR KUSCHALL	1
8	1513178	HÅNDTAK BREMS PERFORMANCE PAR KUSCHALL	1
9	1513176	KLEMME BREMS KPL K-SERIE CHAMP 110708	2
10	1579328	(Brake shoe standard (40mm), kit 4 Pcs.) <i>Replaces 500.1045 (4x)</i>	1
11	1579329	(Brake shoe long (50mm), kit 4 Pcs.) <i>Replaces 500.1013 (4x)</i>	1

Tilbehør og valg

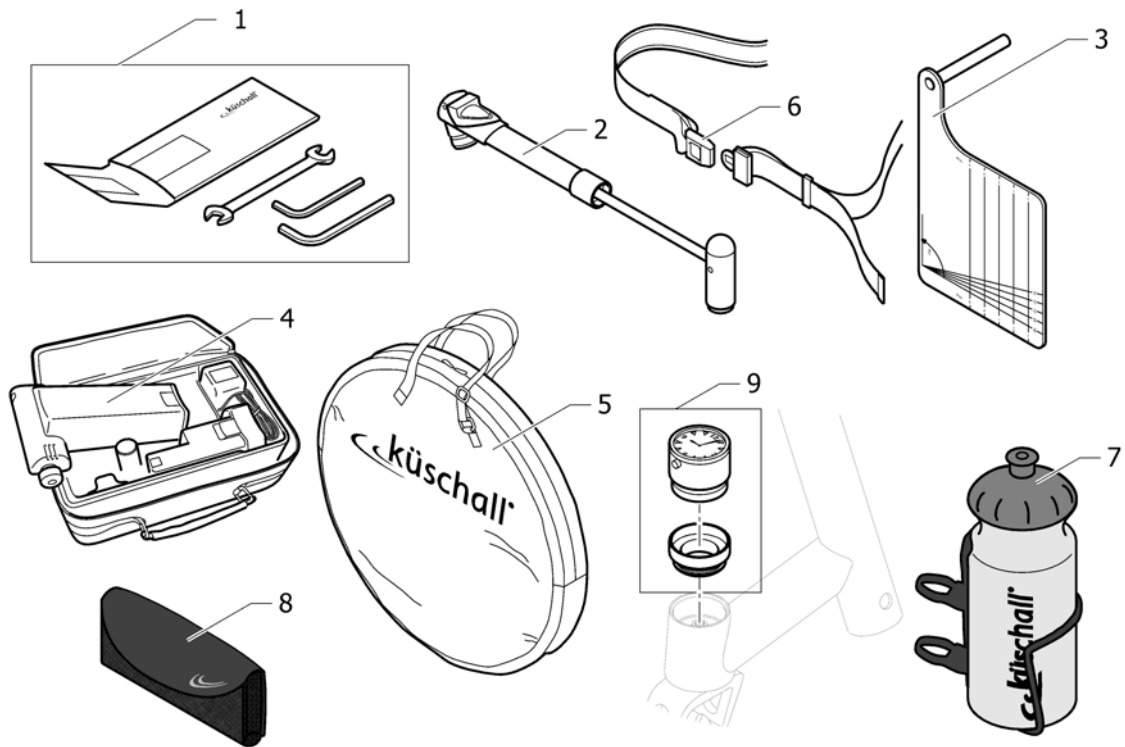


1	-	(Antitipper)	1
2	-	(Chair accessories)	1
3	-	(Luggage holder)	1
4	-	(Winter accessories)	1
5	-	(Fixation: screws, ...)	1

(Antitipper)



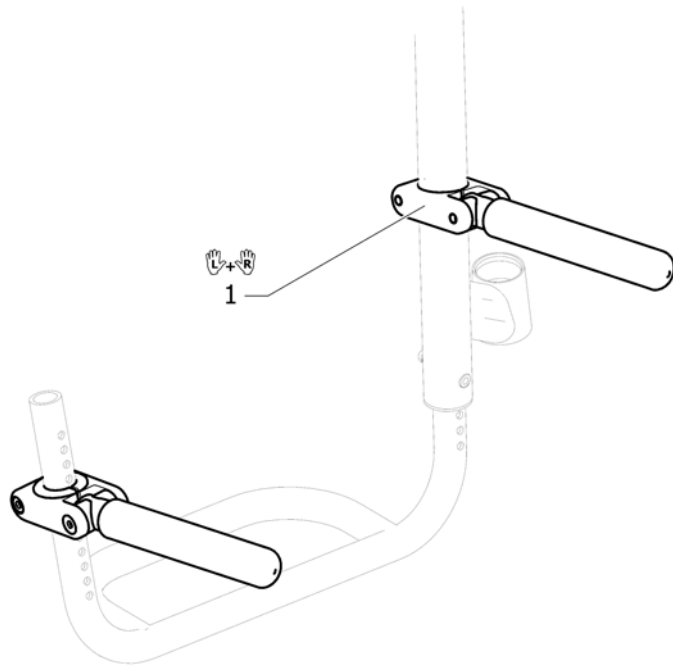
1	1488928	TIPPESIKRING KORT HØYRE KOMPL K4 AIRLITE 010306	1
2	1488930	TIPPESIKRING LANG HØYRE KOMPL K4 AIRLITE 010306	1
3	1488927	TIPPESIKRING KORT VENSTR KOMPL K4 AIRLITE 010306	1
4	1488929	TIPPESIKRING LANG VENSTR KOMPL K4 AIRLITE 010306	1
5	1528647	FESTE FOR TIPPESIKRING PÅ AKSLING KSL	2
6	1528648	SKRUESETT FOR FESTE TIPPESIKRING TIL HOLDER	2



1	1518285	VERKTØYSETT KUSCHALL	1
2	1517924	PUMPE KUSCHALL MANUELL	1
3	1529800	(KSL Measuring Tool)	1
4	1518286	(Air man)	1
5	1518287	VESKE FOR 24 OG 26 HJUL KÜSCHALL LOGO	1
6	1518288	HOFTEBELTE M LÅSEMEK K-JUNIOR	1
7	1547625	FLASKEHOLDER MED FLASKE KUSCHALL	1
8	1547622	MOBIL TELEFON HOLDER KSL	1
9	1589117	(Küschall watch mounted on bearing block, kit)	1

05.08.2015 →

(Luggage holder)



1 1547626

BAGGASJE BÆRER KUSCHALL PAR

1



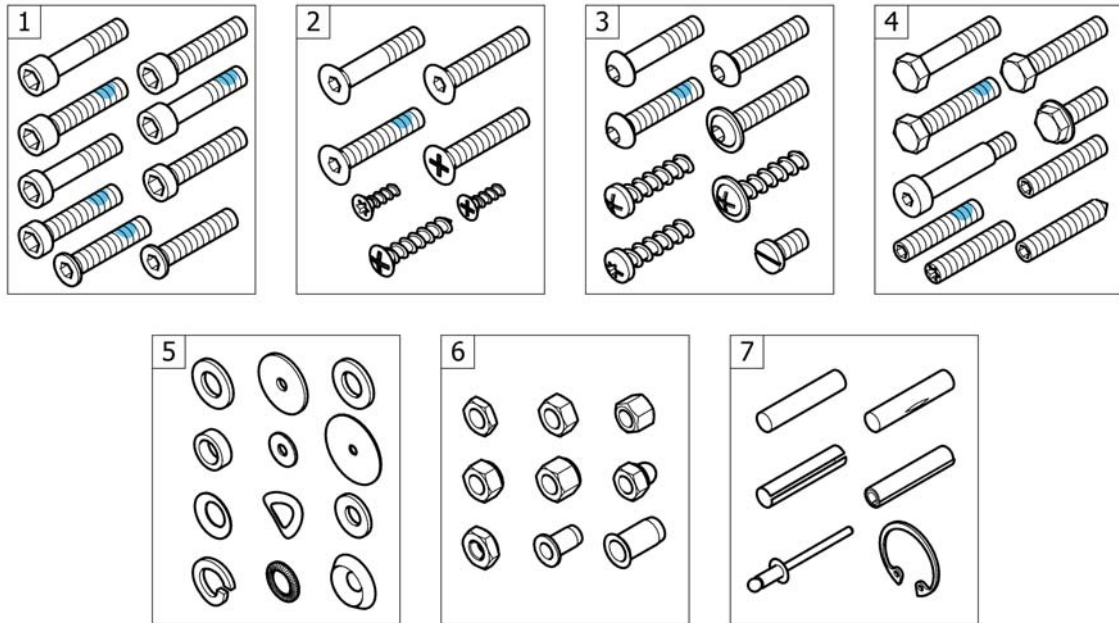
1 1532009

FOTPOSE HØYDE >160M VE

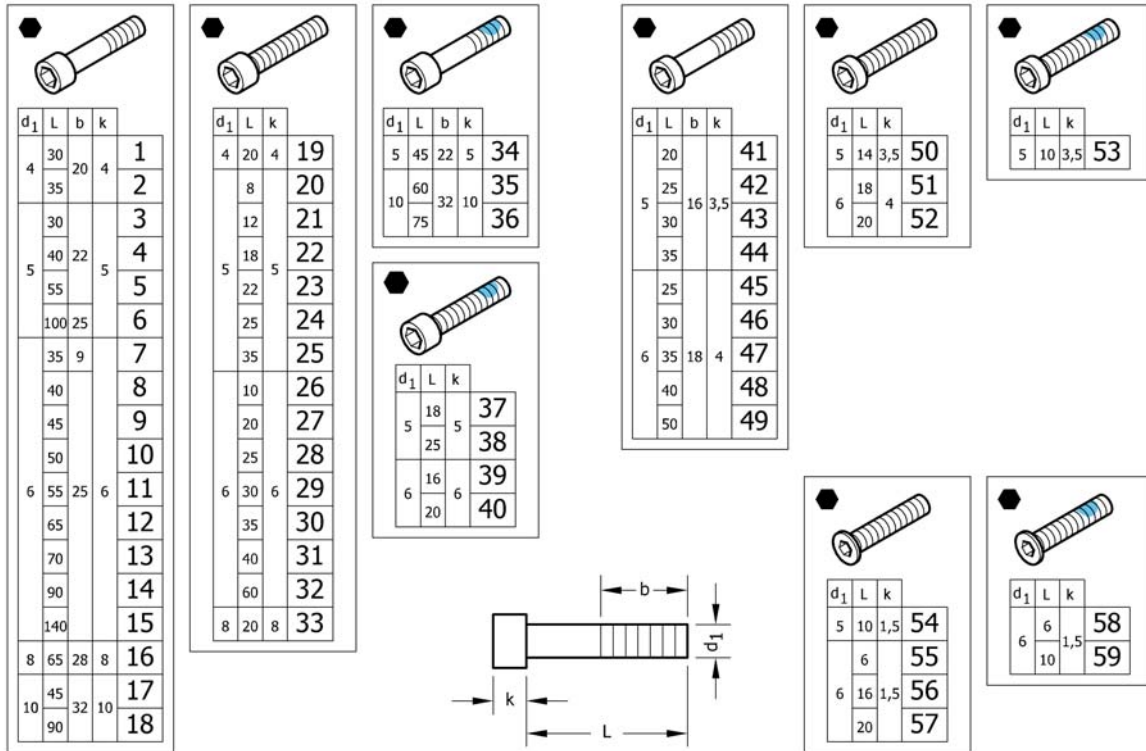
01.01.2010 →
30.06.2011

1

(Fixation: screws, ...)



1	-	(Socket head cap screws)	1
2	-	(Countersunk screws)	1
3	-	(Button head screws)	1
4	-	(Hex-head screws, diverse, ...)	1
5	-	(Washers)	1
6	-	(Nuts)	1
7	-	(Pins, rivets, ...)	1

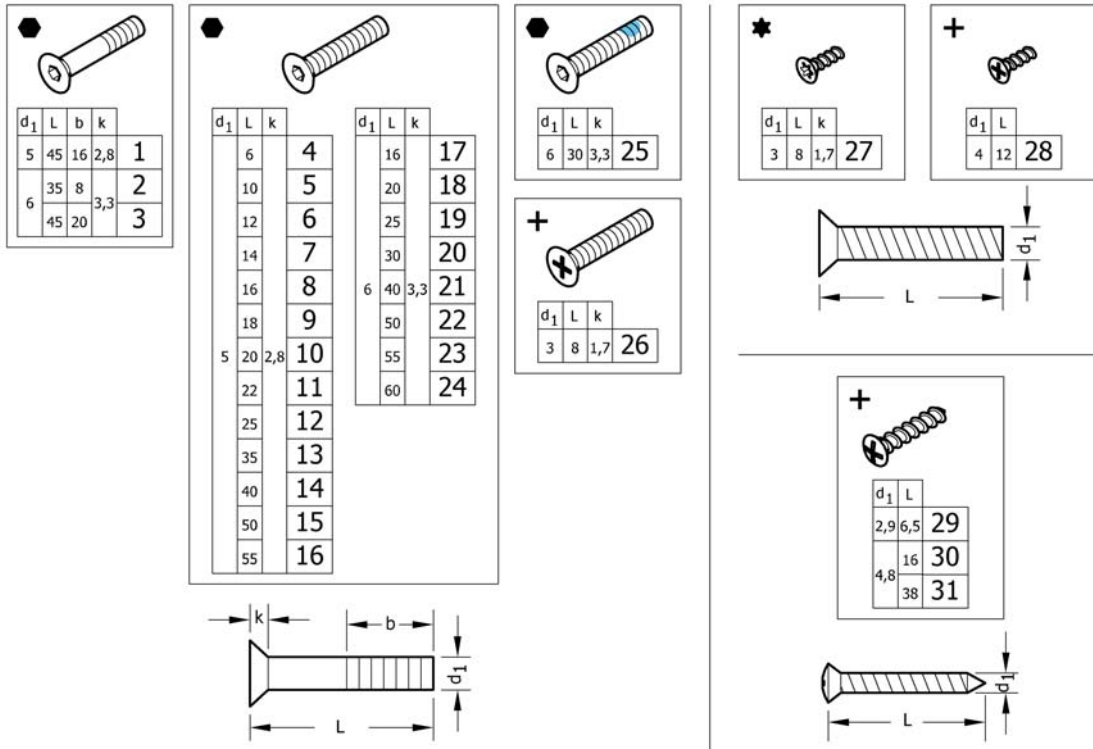


1	1579115	(Hex socket head cap screws partially threaded, zi.Blue, M4x30, kit 25 Pcs.) <i>Replaces 1560191 (25x)</i>	1
2	1579116	(Hex socket head cap screws partially threaded, zi.Blue, M4x35, kit 25 Pcs.) <i>Replaces 1563765 (25x)</i>	1
3	1579117	(Hex socket head cap screws partially threaded, black, M5x30, kit 25 Pcs.) <i>Replaces 100.1091 (25x)</i>	1
4	1579118	(Hex socket head cap screws partially threaded, black, M5x40, kit 25 Pcs.) <i>Replaces 100.1093 (25x)</i>	1
5	1579119	(Hex socket head cap screws partially threaded, black, M5x55, kit 25 Pcs.) <i>Replaces 100.1096 (25x)</i>	1
6	1579120	(Hex socket head cap screws partially threaded, black, M5x100, kit 10 Pcs.) <i>Replaces 1425240 (10x)</i>	1
7	1579121	(Hex socket head cap screws partially threaded, black, M6x35, kit 5 Pcs.) <i>Replaces 107.1001 (5x)</i>	1
8	1579122	(Hex socket head cap screws partially threaded, black, M6x40, kit 25 Pcs.) <i>Replaces 100.1133 (25x)</i>	1
9	1579123	(Hex socket head cap screws partially threaded, black, M6x45, kit 25 Pcs.) <i>Replaces 100.1134 (25x)</i>	1
10	1579124	(Hex socket head cap screws partially threaded, black, M6x50, kit 25 Pcs.) <i>Replaces 100.1135 (25x)</i>	1
11	1579125	(Hex socket head cap screws partially threaded, black, M6x55, kit 25 Pcs.) <i>Replaces 100.1136 (25x)</i>	1
11	1579126	(Hex socket head cap screws partially threaded, zi.Blue, M6x55, kit 25 Pcs.) <i>Replaces ZM006551A (25x)</i>	1
12	1579127	(Hex socket head cap screws partially threaded, black, M6x65, kit 10 Pcs.) <i>Replaces 100.1138 (10x)</i>	1
13	1579128	(Hex socket head cap screws partially threaded, black, M6x70, kit 10 Pcs.) <i>Replaces 100.1139 (10x)</i>	1
14	1579129	(Hex socket head cap screws partially threaded, black, M6x90, kit 10 Pcs.) <i>Replaces 1529118 (10x)</i>	1
15	1579130	(Hex socket head cap screws partially threaded, black, M6x140, kit 10 Pcs.) <i>Replaces 1529117 (10x)</i>	1

(Socket head cap screws)

16	1579131	(Hex socket head cap screws partially threaded, black, M8x65, kit 10 Pcs.) <i>Replaces 1510316 (10x)</i>	1
17	1579132	(Hex socket head cap screws partially threaded, black, M10x45, kit 2 Pcs.) <i>Replaces 1496010 (2x)</i>	1
18	1579133	(Hex socket head cap screws partially threaded, black, M10x90, kit 2 Pcs.) <i>Replaces 1496013 (2x)</i>	1
19	1579134	(Hex socket head cap screws fully threaded, black, M4x20, kit 25 Pcs.) <i>Replaces 100.1050 (25x)</i>	1
20	1579135	(Hex socket head cap screws fully threaded, black, M5x8, kit 5 Pcs.) <i>Replaces 1493753 (5x)</i>	1
21	1579136	(Hex socket head cap screws fully threaded, black, M5x12, kit 25 Pcs.) <i>Replaces 100.1084 (25x)</i>	1
22	1579137	(Hex socket head cap screws fully threaded, black, M5x18, kit 25 Pcs.) <i>Replaces 100.1087 (25x)</i>	1
23	1579138	(Hex socket head cap screws fully threaded, black, M5x22, kit 25 Pcs.) <i>Replaces 100.1089 (25x)</i>	1
24	1579139	(Hex socket head cap screws fully threaded, black, M5x25, kit 25 Pcs.) <i>Replaces 100.1090 (25x)</i>	1
25	1579140	(Hex socket head cap screws fully threaded, black, M5x35, kit 25 Pcs.) <i>Replaces 100.1092 (25x)</i>	1
26	1579141	(Hex socket head cap screws fully threaded, black, M6x10, kit 25 Pcs.) <i>Replaces 100.1123 (25x)</i>	1
27	1579142	(Hex socket head cap screws fully threaded, black, M6x20, kit 25 Pcs.) <i>Replaces 100.1128 (25x)</i>	1
28	1579143	(Hex socket head cap screws fully threaded, black, M6x25, kit 25 Pcs.) <i>Replaces 100.1130 (25x)</i>	1
29	1579144	(Hex socket head cap screws fully threaded, black, M6x30, kit 25 Pcs.) <i>Replaces 100.1131 (25x)</i>	1
30	1579145	(Hex socket head cap screws fully threaded, black, M6x35, kit 25 Pcs.) <i>Replaces 100.1132 (25x)</i>	1
31	1579146	(Hex socket head cap screws fully threaded, black, M6x40, kit 10 Pcs.) <i>Replaces 1563349 (10x)</i>	1
32	1579147	(Hex socket head cap screws fully threaded, black, M6x60, kit 10 Pcs.) <i>Replaces 100.1137 (10x)</i>	1
33	1579148	(Hex socket head cap screws fully threaded, black, M8x20, kit 10 Pcs.) <i>Replaces 1510307 (10x)</i>	1
34	1579149	(Hex sock.Head cap screws partial.Thread., black, TufLok, M5x45, kit 5 Pcs.) <i>Replaces 1496014 (5x)</i>	1
35	1579150	(Hex sock.Head cap screws partial.Thread., black, TufLok, M10x60, kit 2 Pcs.) <i>Replaces 1496011 (2x)</i>	1
36	1579151	(Hex sock.Head cap screws partial.Thread., black, TufLok, M10x75, kit 2 Pcs.) <i>Replaces 1496012 (2x)</i>	1
37	1579152	(Hex socket head cap screws fully threaded, black, TufLok, M5x18, kit 10 Pcs.) <i>Replaces 1425241 (10x)</i>	1
38	1579153	(Hex socket head cap screws fully threaded, black, TufLok, M5x25, kit 10 Pcs.) <i>Replaces 1570153 (10x)</i>	1
39	1579154	(Hex socket head cap screws full.Thread., zi.Blue, TufLok, M6x16, kit 10 Pcs.) <i>Replaces 1560219 (10x)</i>	1
40	1579155	(Hex socket head cap screws fully threaded, black, TufLok, M6x20, kit 10 Pcs.) <i>Replaces 1498775 (10x)</i>	1
41	1579156	(Hex sock.Head cap screws, low head, part.Thread., black, M5x20, kit 25 Pcs.) <i>Replaces 1438501 (25x)</i>	1
42	1579157	(Hex sock.Head cap screws, low head, part.Thread., black, M5x25, kit 25 Pcs.) <i>Replaces 1438518 (25x)</i>	1
43	1579158	(Hex sock.Head cap screws, low head, part.Thread., black, M5x30, kit 25 Pcs.) <i>Replaces 100.5090 (25x)</i>	1

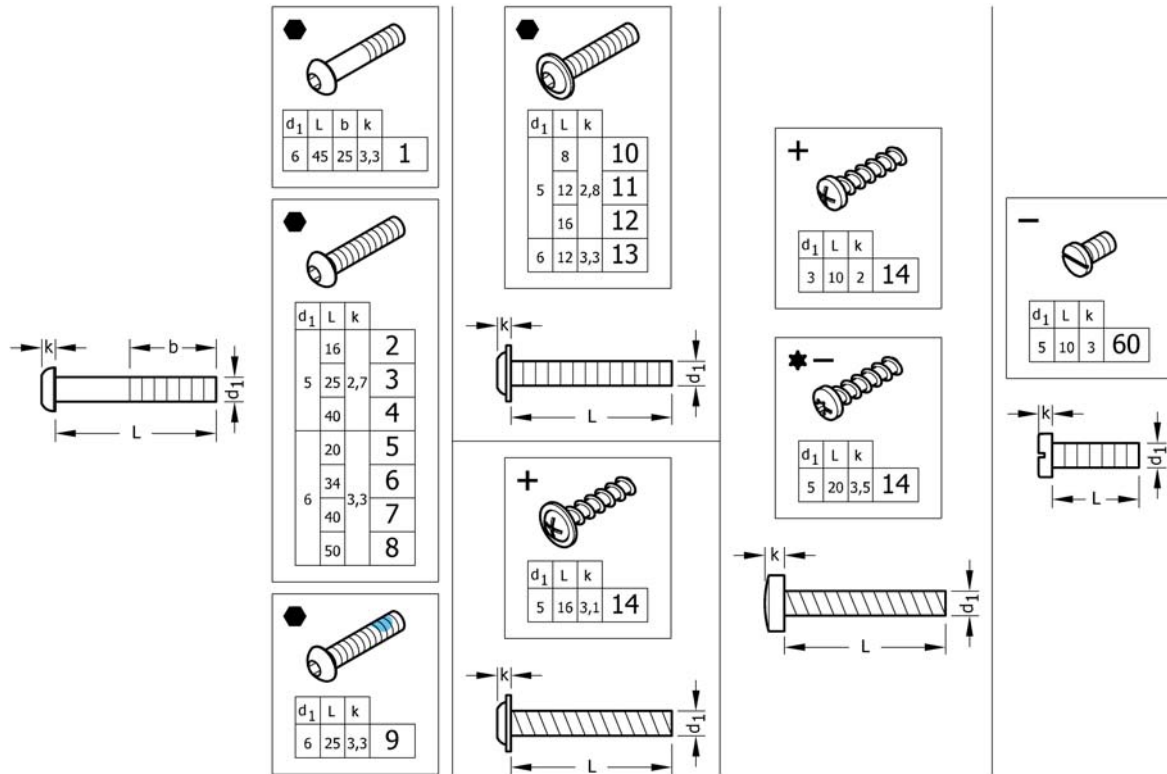
44	1579159	(Hex sock.Head cap screws, low head, part.Thread., black, M5x35, kit 25 Pcs.) <i>Replaces 100.5091 (25x)</i>	1
45	1579160	(Hex sock.Head cap screws, low head, part.Thread., black, M6x25, kit 25 Pcs.) <i>Replaces 1432120 (25x)</i>	1
46	1579161	(Hex sock.Head cap screws, low head, part.Thread., black, M6x30, kit 25 Pcs.) <i>Replaces 100.5130 (25x)</i>	1
47	1579162	(Hex sock.Head cap screws, low head, part.Thread., black, M6x35, kit 25 Pcs.) <i>Replaces 1438504 (25x)</i>	1
48	1579163	(Hex sock.Head cap screws, low head, part.Thread., black, M6x40, kit 25 Pcs.) <i>Replaces 100.5132 (25x)</i>	1
49	1579164	(Hex sock.Head cap screws, low head, part.Thread., black, M6x50, kit 25 Pcs.) <i>Replaces 100.5134 (25x)</i>	1
50	1579165	(Hex sock.Head cap screws, low head, part.Thread., black, M5x14, kit 25 Pcs.) <i>Replaces 100.5085 (25x)</i>	1
51	1579166	(Hex sock.Head cap screws, low head, part.Thread., black, M6x18, kit 25 Pcs.) <i>Replaces 100.5126 (25x)</i>	1
52	1579167	(Hex sock.Head cap screws, low head, part.Thread., black, M6x20, kit 25 Pcs.) <i>Replaces 100.5127 (25x)</i>	1
53	1579168	(Hex soc.Head cap scr., low head, part.Threa., bl., TufL., M5x10, kit 10 Pcs.) <i>Replaces 1496026 (10x)</i>	1
54	1579169	(Hex socket head cap screws, special low head, black, M5x10, kit 25 Pcs.) <i>Replaces 1437290 (25x)</i>	1
55	1579170	(Hex socket head cap screws, special low head, black, M6x6, kit 25 Pcs.) <i>Replaces 1425182 (25x)</i>	1
56	1579171	(Hex socket head cap screws, special low head, black, M6x16, kit 25 Pcs.) <i>Replaces 1541181 (25x)</i>	1
57	1579172	(Hex socket head cap screws, special low head, black, M6x20, kit 25 Pcs.) <i>Replaces 107.1022 (25x)</i>	1
58	1579173	(Hex socket head cap screws, spec.Low head, black, TufLok, M5x6, kit 10 Pcs.) <i>Replaces 1532039 (10x)</i>	1
59	1579174	(Hex socket head cap screws, spec.Low head, black, TufLok, M6x10, kit 10 Pcs.) <i>Replaces 1420946 (10x)</i>	1



1	1579175	(Countersunk head screws partially threaded, Black, M5x45, kit 10 Pcs.) Replaces 1438773 (10x)	1
2	1579176	(Countersunk head screws partially threaded, Black, M6x35, kit 10 Pcs.) Replaces 107.1004 (10x)	1
3	1579177	(Countersunk head screws partially threaded, Black, M6x45, kit 10 Pcs.) Replaces 100.3133 (10x)	1
4	1579178	(Countersunk head screws fully threaded, Black, M5x6, kit 25 Pcs.) Replaces 1445273 (25x)	1
5	1579179	(Countersunk head screws fully threaded, Black, M5x10, kit 25 Pcs.) Replaces 100.3082 (25x)	1
6	1579180	(Countersunk head screws fully threaded, Black, M5x12, kit 25 Pcs.) Replaces 1438999 (25x)	1
7	1579181	(Countersunk head screws fully threaded, Black, M5x14, kit 25 Pcs.) Replaces 107.1015 (25x)	1
8	1579182	(Countersunk head screws fully threaded, Black, M5x16, kit 25 Pcs.) Replaces 100.3085 (25x)	1
9	1579183	(Countersunk head screws fully threaded, Black, M5x18, kit 25 Pcs.) Replaces 100.3086 (25x)	1
10	1579184	(Countersunk head screws fully threaded, Black, M5x20, kit 25 Pcs.) Replaces 100.3087 (25x)	1
11	1579185	(Countersunk head screws fully threaded, Black, M5x22, kit 25 Pcs.) Replaces 1416930 (25x)	1
12	1579186	(Countersunk head screws fully threaded, Black, M5x25, kit 25 Pcs.) Replaces 100.3089 (25x)	1
13	1579187	(Countersunk head screws fully threaded, Black, M5x35, kit 25 Pcs.) Replaces 100.3091 (25x)	1
14	1579188	(Countersunk head screws fully threaded, Black, M5x40, kit 25 Pcs.) Replaces 1432148 (25x)	1
15	1579189	(Countersunk head screws fully threaded, Black, M5x50, kit 25 Pcs.) Replaces 100.3094 (25x)	1
16	1579190	(Countersunk head screws fully threaded, Black, M5x55, kit 25 Pcs.) Replaces 100.3095 (25x)	1
17	1579191	(Countersunk head screws fully threaded, Black, M6x16, kit 25 Pcs.) Replaces 100.3125 (25x)	1
18	1579192	(Countersunk head screws full.Threaded, zinc flake coat., M6x20, kit 25 Pcs.) Replaces 100.3127 (25x)	1

18	1579193	(Countersunk head screws fully threaded, Black, M6x20, kit 25 Pcs.) <i>Replaces 1437809 (25x)</i>	1
19	1579194	(Countersunk head screws fully threaded, Black, M6x25, kit 25 Pcs.) <i>Replaces 100.3129 (25x)</i>	1
20	1579195	(Countersunk head screws fully threaded, Black, M6x30, kit 25 Pcs.) <i>Replaces 100.3130 (25x)</i>	1
21	1579196	(Countersunk head screws fully threaded, Black, M6x40, kit 25 Pcs.) <i>Replaces 100.3132 (25x)</i>	1
22	1579197	(Countersunk head screws fully threaded, Black, M6x50, kit 25 Pcs.) <i>Replaces 100.3134 (25x)</i>	1
23	1579198	(Countersunk head screws fully threaded, Black, M6x55, kit 25 Pcs.) <i>Replaces 100.3135 (25x)</i>	1
24	1579199	(Countersunk head screws fully threaded, Black, M6x60, kit 25 Pcs.) <i>Replaces 100.3136 (25x)</i>	1
25	1579200	(Countersunk head screws fully threaded, Black, TufLok, M6x30, kit 25 Pcs.) <i>Replaces 1550479 (25x)</i>	1
26	1579201	(Countersunk head screws fully threaded, zi.Blue, M3x8, kit 25 Pcs.) <i>Replaces 1529279 (25x)</i>	1
27	1579202	(Countersunk head PT screws, Torx, stainless steel, 3x8, kit 25 Pcs.) <i>Replaces 1529278 (25x)</i>	1
28	1579203	(Countersunk head PT screws, Black, KA40x12, kit 25 Pcs.) <i>Replaces 1438513 (25x)</i>	1
29	1579204	(Countersunk head tapping screws with cone end, Black, ST2,9x6,5, kit 25 Pcs.) <i>Replaces 126.5041 (25x)</i>	1
30	1579205	(Countersunk head tapping screws with cone end, Black, ST4,8x16, kit 25 Pcs.) <i>Replaces 126.5202 (25x)</i>	1
31	1579206	(Countersunk head tapping screws with cone end, Black, ST4,8x38, kit 25 Pcs.) <i>Replaces 126.5207 (25x)</i>	1

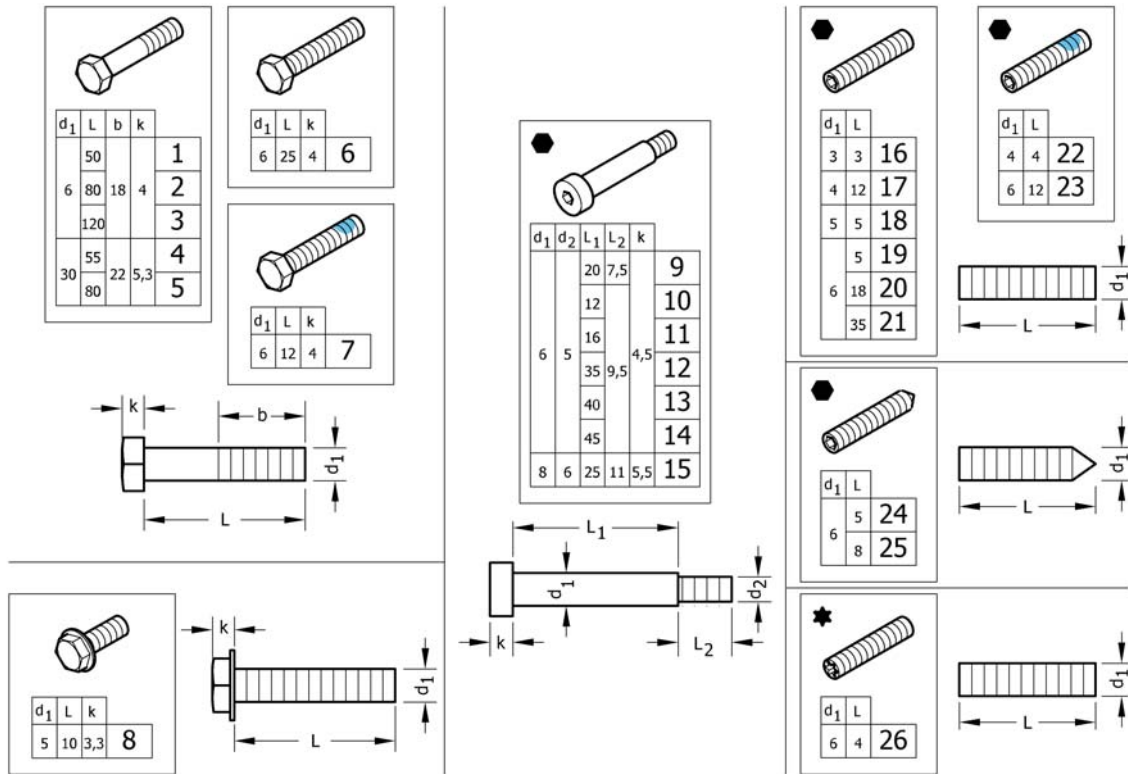
(Button head screws)



1	1579259	(Hex sock.Button head cap screws partially thread., Black, M6x45, kit 25 Pcs.) <i>Replaces 1438507 (25x)</i>	1
2	1579260	(Hex socket button head cap screws fully threaded, Black, M5x16, kit 25 Pcs.) <i>Replaces 1445341-0003 (25x)</i>	1
3	1579261	(Hex socket button head cap screws fully threaded, Black, M5x25, kit 25 Pcs.) <i>Replaces 107.1021 (25x)</i>	1
4	1579262	(Hex socket button head cap screws fully threaded, Black, M5x40, kit 25 Pcs.) <i>Replaces 1445101-0003 (25x)</i>	1
5	1579263	(Hex socket button head cap screws fully threaded, Black, M6x20, kit 25 Pcs.) <i>Replaces 1439153 (25x)</i>	1
6	1579264	(Hex socket button head cap screws fully threaded, Black, M6x34, kit 25 Pcs.) <i>Replaces 1438506-0003 (25x)</i>	1
7	1579265	(Hex socket button head cap screws fully threaded, Black, M6x40, kit 25 Pcs.) <i>Replaces 1439530-0003 (25x)</i>	1
8	1579266	(Hex socket button head cap screws fully threaded, Black, M6x50, kit 25 Pcs.) <i>Replaces 1439531-0003 (25x)</i>	1
9	1579267	(Hex sock.But.Head cap screws full.Thread., Black, TufLok, M6x25, kit 25 Pcs.) <i>Replaces 1438505 (25x)</i>	1
10	1579268	(Button head socket cap screws with flange, Black, M5x8, kit 25 Pcs.) <i>Replaces 1536268 (25x)</i>	1
11	1579269	(Button head socket cap screws with flange, Black, M5x12, kit 25 Pcs.) <i>Replaces 1529290 (25x)</i>	1
12	1579270	(Button head socket cap screws with flange, Black, M5x16, kit 25 Pcs.) <i>Replaces 1445102-0003 (25x)</i>	1
13	1579271	(Button head socket cap screws with flange, Black, M6x12, kit 25 Pcs.) <i>Replaces 1432204 (25x)</i>	1
14	1579272	(Round washer head PT® screws, form H, zinc plated blue, M5x16, kit 25 Pcs.) <i>Replaces 1536057 (25x)</i>	1

15	1579273	(Pan head PT screws, form H, zinc plated blue, M3x10, kit 25 Pcs.) <i>Replaces ZM003510A (25x)</i>	1
16	1579274	(Pan head PT screws, Torx, Black, M5x20, kit 25 Pcs.) <i>Replaces 1424569 (25x)</i>	1
17	1579275	(Slotted machine screws, Black, M5x10, kit 25 Pcs.) <i>Replaces 102.2083 (25x)</i>	1

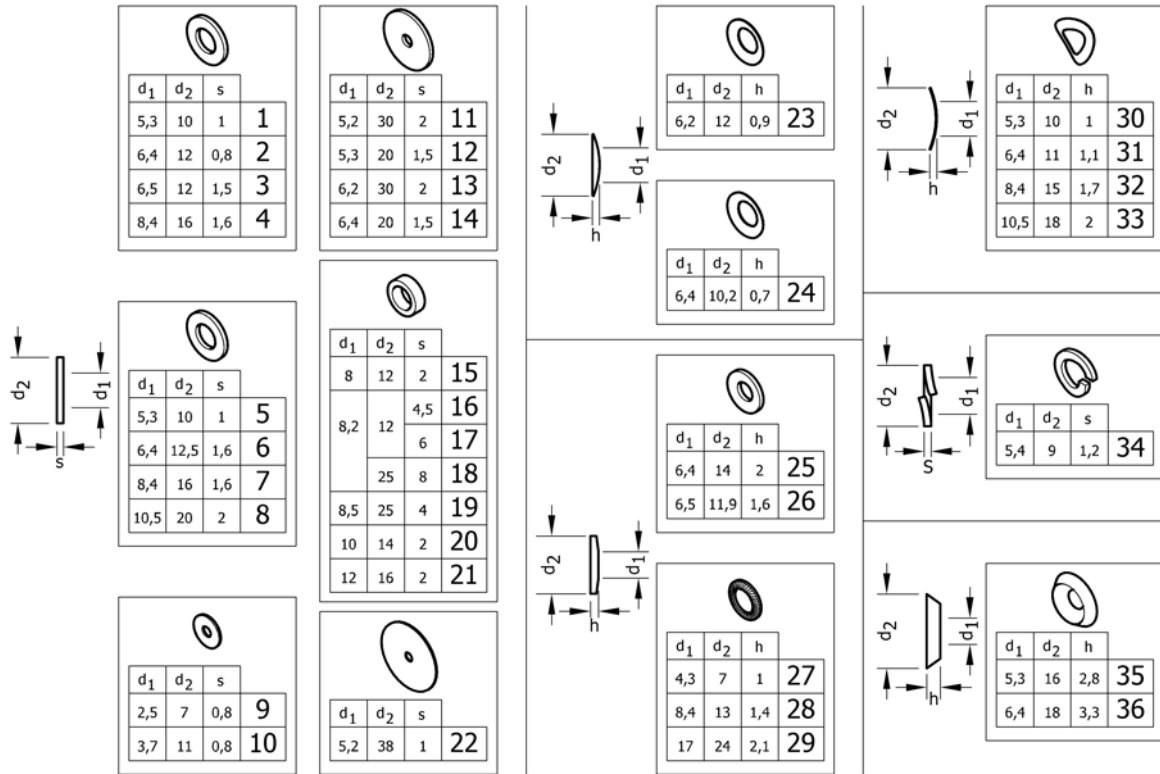
(Hex-head screws, diverse, ...)



1	1579276	(Hex head bolts partially threaded, Black, M6x50, kit 10 Pcs.) <i>Replaces 101.1134 (10x)</i>	1
2	1579277	(Hex head bolts partially threaded, Black, M6x80, kit 10 Pcs.) <i>Replaces 1438508 (10x)</i>	1
3	1579278	(Hex head bolts partially threaded, Black, M6x120, kit 10 Pcs.) <i>Replaces 1438509 (10x)</i>	1
4	1579279	(Hex head bolts partially threaded, Black, M8x55, kit 10 Pcs.) <i>Replaces 101.1174 (10x)</i>	1
5	1579280	(Hex head bolts partially threaded, Black, M8x80, kit 10 Pcs.) <i>Replaces 101.1179 (10x)</i>	1
6	1579281	(Hex head screws fully threaded, Black, M6x25, kit 10 Pcs.) <i>Replaces 1437299 (10x)</i>	1
7	1579282	(Hex head screws fully threaded, Black, TufLok, M6x12, kit 10 Pcs.) <i>Replaces 1564245 (10x)</i>	1
8	1579283	(Hex flange head machine screws with flangeBlack, M5x10, kit 10 Pcs.) <i>Replaces 107.1014 (10x)</i>	1
9	1579295	(Hex socket head shoulder bolts, Black, Ø6x20 / M5, kit 4 Pcs.) <i>Replaces 1488934-0003 (4x)</i>	1
10	1579296	(Hex socket head shoulder bolts, Black, Ø6x12 / M5, kit 4 Pcs.) <i>Replaces 1564246 (4x)</i>	1
11	1579297	(Hex socket head shoulder bolts, Black, Ø6x16 / M5, kit 4 Pcs.) <i>Replaces 1529291 (4x)</i>	1
12	1579298	(Hex socket head shoulder bolts, Black, Ø6x35 / M5, kit 4 Pcs.) <i>Replaces 1496034 (4x)</i>	1
13	1579299	(Hex socket head shoulder bolts, Black, Ø6x40 / M5, kit 4 Pcs.) <i>Replaces 107.1023 (4x)</i>	1
14	1579300	(Hex socket head shoulder bolts, Black, Ø6x45 / M5, kit 4 Pcs.) <i>Replaces 1496030 (4x)</i>	1
15	1579301	(Hex socket head shoulder bolts, Black, Ø8x25 / M6, kit 4 Pcs.) <i>Replaces ZM008252A (4x)</i>	1
16	1579284	(Hex socket set screws with flat point, Black, M3x3, kit 25 Pcs.) <i>Replaces 116.1001 (25x)</i>	1
17	1579285	(Hex socket set screws with flat point, Black, M4x12, kit 25 Pcs.) <i>Replaces 116.1046 (25x)</i>	1
18	1579286	(Hex socket set screws with flat point, zinc plated blue, M5x5, kit 25 Pcs.) <i>Replaces 116.1081 (25x)</i>	1

19	1579287	(Hex socket set screws with flat point, Black, M6x5, kit 25 Pcs.) <i>Replaces 1437272 (25x)</i>	1
20	1579288	(Hex socket set screws with flat point, zinc plated blue, M6x18, kit 25 Pcs.) <i>Replaces 1559106 (25x)</i>	1
21	1579289	(Hex socket set screws with flat point, Black, M6x35, kit 25 Pcs.) <i>Replaces 116.1133 (25x)</i>	1
22	1579290	(Hex socket set screws with flat point, Black, TufLok, M4x4, kit 10 Pcs.) <i>Replaces 1493792 (10x)</i>	1
23	1579291	(Hex socket set screws with flat point, Z.Plat.Bl., TufLok, M6x12, kit 10Pcs.) <i>Replaces 1439057 (10x)</i>	1
24	1579292	(Hex socket set screws with cone point, Black, M6x5, kit 25 Pcs.) <i>Replaces 116.2121 (25x)</i>	1
25	1579293	(Hex socket set screws with cone point, Black, M6x8, kit 25 Pcs.) <i>Replaces 116.2123 (25x)</i>	1
26	1579294	(Screws with cup point, Torx, zinc plated blue, M6x4, kit 25 Pcs.) <i>Replaces 1567763 (25x)</i>	1

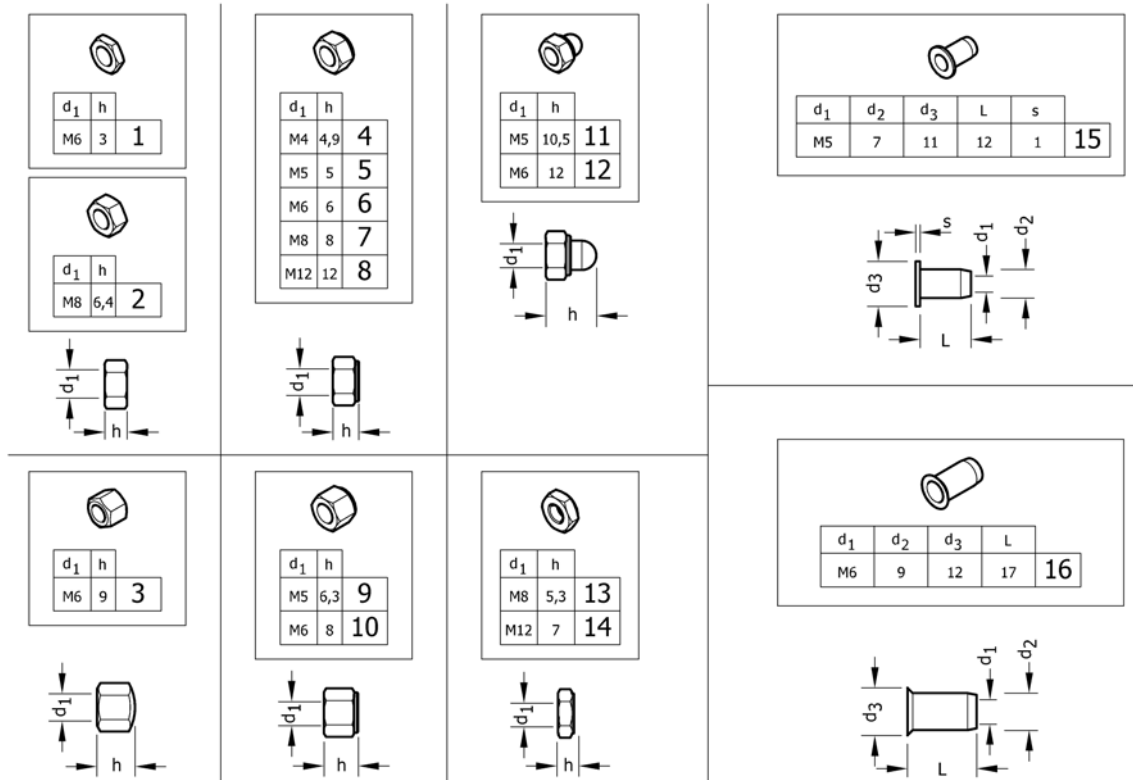
(Washers)



1	1579225	(Flat washers without chamfer, black, 5,3x10x1, kit 50 Pcs.) <i>Replaces 150.1004 (50x)</i>	1
2	1579226	(Flat washers without chamfer, black, 6,4x12x0,8, kit 50 Pcs.) <i>Replaces 150.2001 (50x)</i>	1
3	1579227	(Flat washers without chamfer, zinc plated blue, 6,5x12x1,5, kit 50 Pcs.) <i>Replaces 5729091 (50x)</i>	1
4	1579228	(Flat washers without chamfer, black, 8,4x16x1,6, kit 50 Pcs.) <i>Replaces 150.1012 (50x)</i>	1
5	1579229	(Flat washers without chamfer, polyamide, 5,3x10x1, kit 50 Pcs.) <i>Replaces 150.3003 (50x)</i>	1
6	1579230	(Flat washers without chamfer, polyamide, 6,4x12,5x1,6, kit 50 Pcs.) <i>Replaces 150.3004 (50x)</i>	1
7	1579231	(Flat washers without chamfer, polyamide, 8,4x16x1,6, kit 50 Pcs.) <i>Replaces 150.3005 (50x)</i>	1
8	1579232	(Flat washers without chamfer, polyamide, 10,5x20x2, kit 50 Pcs.) <i>Replaces 150.3006 (50x)</i>	1
9	1579233	(Flat washers without chamfer, zinc plated blue, 2,5x7x0,8, kit 50 Pcs.) <i>Replaces 150.2012 (50x)</i>	1
10	1579234	(Flat washers without chamfer, zinc plated blue, 3,7x11x0,8, kit 50 Pcs.) <i>Replaces ZM203501A (50x)</i>	1
11	1579235	(Flat washers without chamfer, black, 5,2x30x2, kit 20 Pcs.) <i>Replaces 150.2006 (20x)</i>	1
12	1579236	(Flat washers without chamfer, black, 5,3x20x1,5, kit 50 Pcs.) <i>Replaces 150.2010 (50x)</i>	1
13	1579237	(Flat washers without chamfer, black, 6,2x30x2, kit 20 Pcs.) <i>Replaces 150.2009 (20x)</i>	1
14	1579238	(Flat washers without chamfer, black, 6,4x25x1,5, kit 50 Pcs.) <i>Replaces 1451753 (50x)</i>	1
15	1579239	(Hinge rings, black, 8x12x2, kit 50 Pcs.) <i>Replaces 150.5002 (50x)</i>	1
16	1579240	(Distance sleeve, alu, 8,2x12x4,5, kit 20 Pcs.) <i>Replaces 1420970 (20x)</i>	1
17	1579241	(Distance sleeve, alu, 8,2x12x6, kit 20 Pcs.) <i>Replaces 1420969 (20x)</i>	1
18	1581292	(Distance sleeve, alu, 8,2x25x8, kit 2 Pcs.) <i>Replaces 151.1002 (2x)</i>	1

19	1583052	(Distance sleeve, alu, black, 8,5x25x4, kit 10 Pcs.) <i>Replaces 151.1014 (10x)</i>	1
20	1579242	(Hinge rings, zinc plated blue, 10x14x2, kit 50 Pcs.) <i>Replaces 1506666 (50x)</i>	1
21	1579243	(Hinge rings, black, 12x16x2, kit 50 Pcs.) <i>Replaces 150.5006 (50x)</i>	1
22	1579244	(Rubber washers, 5,2x38x1, kit 20 Pcs.) <i>Replaces 1424891 (20x)</i>	1
23	1579245	(Disc springs, black, 6,2x12x0,9, kit 50 Pcs.) <i>Replaces 160.1015 (50x)</i>	1
24	1579246	(Conical spring washers, zinc plated blue, 6,4x10,2x0,7, kit 50 Pcs.) <i>Replaces 161.1004 (50x)</i>	1
25	1579247	(Conical spring washers, black, 6,4x14x2, kit 50 Pcs.) <i>Replaces 161.2004 (50x)</i>	1
26	1579248	(Conical spring washers, zinc plated blue, 6,5x11,9x1,6, kit 50 Pcs.) <i>Replaces ZM206001A (50x)</i>	1
27	1579249	(Ribbed lock washers, black, 4,3x7x1, kit 50 Pcs.) <i>Replaces 155.2002 (50x)</i>	1
28	1579250	(Ribbed lock washers, zinc plated blue, 8,4x13x1,4, kit 50 Pcs.) <i>Replaces 155.2005 (50x)</i>	1
29	1579251	(Ribbed lock washers, zinc plated blue, 17x24x2,1, kit 50 Pcs.) <i>Replaces 155.2009 (50x)</i>	1
30	1579252	(Curved spring washers, black, 5,3x10x1, kit 50 Pcs.) <i>Replaces 1438515 (50x)</i>	1
31	1579253	(Curved spring washers, black, 6,4x11x1,1, kit 50 Pcs.) <i>Replaces 1438516 (50x)</i>	1
32	1579254	(Curved spring washers, zinc plated blue, 8,4x15x1,7, kit 50 Pcs.) <i>Replaces ZM208003A (50x)</i>	1
33	1579255	(Curved spring washers, zinc plated blue, 10,5x18x2, kit 50 Pcs.) <i>Replaces ZM201581A (50x)</i>	1
34	1579256	(Split spring lock washers, black, 5,4x9x1,2, kit 50 Pcs.) <i>Replaces 155.1003 (50x)</i>	1
35	1579257	SKIVE FORSENKET 90G M5° 3x16x2,8 50 stk <i>Replaces 150.6003 (50x)</i>	1
36	1579258	SKIVE FORSENKET 90G M6° 4x18x3,3 50 stk <i>Replaces 150.6004 (50x)</i>	1

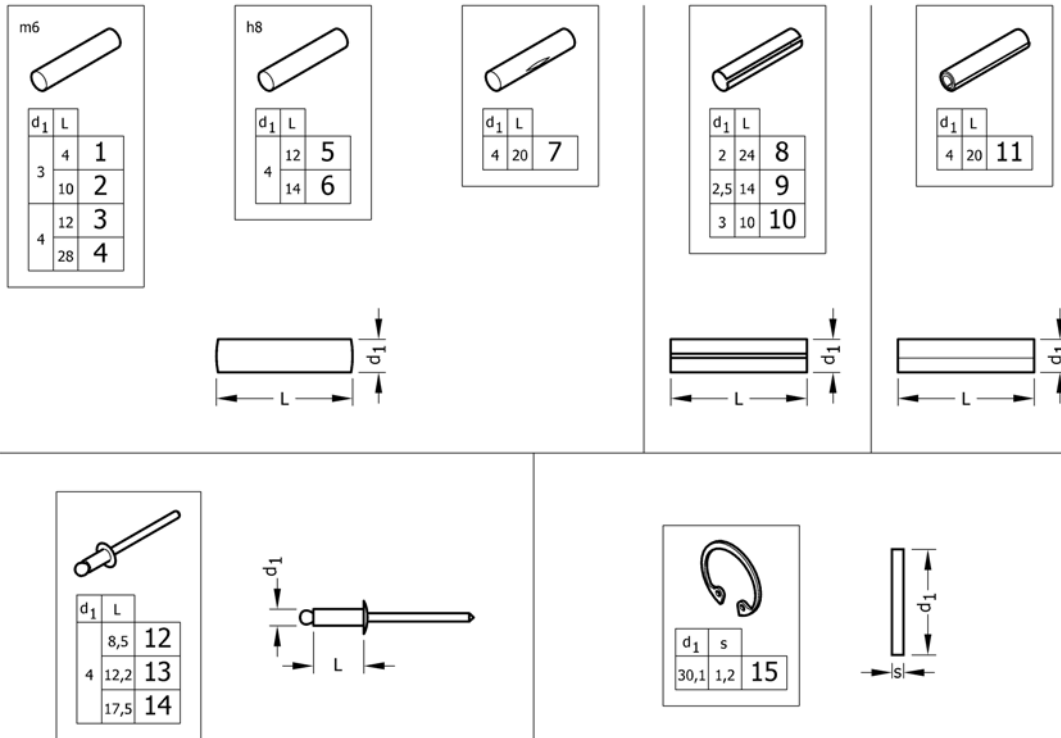
(Nuts)



1	1579207	(Hex jam nuts, black, M6, kit 25 Pcs.) <i>Replaces 108.3004 (25x)</i>	1
2	1579208	(Hexagon nuts , black, M8, kit 25 Pcs.) <i>Replaces 1420997 (25x)</i>	1
3	1579209	(Hex cap nuts, low type, black, M6, kit 25 Pcs.) <i>Replaces 109.5009 (25x)</i>	1
4	1579210	(Prev.Torque lock nuts, thin type, with polyam.Insert, black, M4, kit 25 Pcs.) <i>Replaces 109.1002 (25x)</i>	1
5	1579211	(Prev.Torque lock nuts, thin type, with polyam.Insert, black, M5, kit 25 Pcs.) <i>Replaces 109.1003 (25x)</i>	1
5	1579212	(Prev.Torque lock nuts, thin type, with polyam.Insert, zi.Bl., M5, kit 25 Pcs.) <i>Replaces 109.5008 (25x)</i>	1
6	1579213	(Prev.Torque lock nuts, thin type, with polyam.Insert, black, M6, kit 25 Pcs.) <i>Replaces 109.1004 (25x)</i>	1
6	1579214	(Prev.Torque lock nuts, thin type, with polyam.Insert, zi.Bl., M6, kit 25 Pcs.) <i>Replaces ZM106001A (25x)</i>	1
7	1579215	(Prev.Torque lock nuts, thin type, with polyam.Insert, black, M8, kit 25 Pcs.) <i>Replaces 109.1005 (25x)</i>	1
8	1579216	(Prev.Torque lock nuts, thin type, with polyam.Insert, black, M12, kit 4 Pcs.) <i>Replaces 109.1007 (4x)</i>	1
9	1579217	(Preva.Torq.Hex lock nuts, high type with poly.Insert, black, M5, kit 25 Pcs.) <i>Replaces 1493771 (25x)</i>	1
10	1579218	(Preva.Torq.Hex lock nuts, high type with poly.Insert, black, M6, kit 25 Pcs.) <i>Replaces 109.5001 (25x)</i>	1
11	1579219	(Prevail.Torque hex domed cap nuts with polyam.Insert, black, M5, kit 25 Pcs.) <i>Replaces 109.5006 (25x)</i>	1
12	1579220	(Prevail.Torque hex domed cap nuts with polyam.Insert, black, M6, kit 25 Pcs.) <i>Replaces 109.5003 (25x)</i>	1
13	1579221	(Prevailing torque hex lock nuts, all-metal, thin type, black, M8, kit 10 Pcs.) <i>Replaces 109.5005 (10x)</i>	1

14	1579222	(Prevailing torque hex lock nuts, all-metal, thin typeblack, M12, kit 4 Pcs.) <i>Replaces 109.5004 (4x)</i>	1
15	1579223	(Blind rivet nuts, flat head, open type, black, M5, kit 10 Pcs.) <i>Replaces 180.4007 (10x)</i>	1
16	1579224	(Blind rivet nut with low countersunk head, open type, black, M6, kit 10 Pcs.) <i>Replaces 180.4105 (10x)</i>	1

(Pins, rivets, ...)



1	1579302	(Parallel pins, Ø3x4 m6, kit 10 Pcs.) <i>Replaces 1439336 (10x)</i>	1
2	1579303	(Parallel pins, Ø3x10 m6, kit 10 Pcs.) <i>Replaces 1439337 (10x)</i>	1
3	1579304	(Parallel pins, Ø4x12 m6, kit 20 Pcs.) <i>Replaces 200.1124 (20x)</i>	1
4	1579305	(Parallel pins, Ø4x28 m6, kit 20 Pcs.) <i>Replaces 1437344 (20x)</i>	1
5	1579306	(Parallel pins, Ø4x12 h8, kit 20 Pcs.) <i>Replaces 1487663 (20x)</i>	1
6	1579307	(Parallel pins, Ø4x14 h8, kit 20 Pcs.) <i>Replaces 1487662 (20x)</i>	1
7	1579308	(Grooved pins, center grooved, Ø4x20, kit 20 Pcs.) <i>Replaces 1517718 (20x)</i>	1
8	1579309	(Slotted spring pins, heavy duty, Black, Ø2x24, kit 20 Pcs.) <i>Replaces 200.4011 (20x)</i>	1
9	1579310	(Slotted spring pins, heavy duty, Black, Ø2,5x14, kit 20 Pcs.) <i>Replaces 200.4007 (20x)</i>	1
10	1579311	(Slotted spring pins, heavy duty, stainless steel, Ø3x10, kit 20 Pcs.) <i>Replaces 1567997 (20x)</i>	1
11	1579312	(Spiral spring pins, Black, Ø4x20, kit 20 Pcs.) <i>Replaces 200.3167 (20x)</i>	1
12	1579313	(Dome head blind rivets, Ø4x8,5, kit 20 Pcs.) <i>Replaces 1439292 (20x)</i>	1
13	1579314	(Dome head blind rivets, Ø4x12,2, kit 20 Pcs.) <i>Replaces 180.5116 (20x)</i>	1
14	1579315	(Dome head blind rivets, Ø4x17,5, kit 20 Pcs.) <i>Replaces 180.5019 (20x)</i>	1
15	1579316	(Retaining rings for bores, Std.Design, Z.plat.Blue, Ø30,1X1,2, kit 20 Pcs.) <i>Replaces ZM50J281A (20x)</i>	1



Yes, you can.®



Belgium & Luxemburg:

Invacare nv, Autobaan 22, B-8210 Loppem
Tel: (32) (0)50 83 10 10, Fax: (32) (0)50 83 10 11
belgium@invacare.com / www.invacare.be

Denmark:

Invacare A/S, Sdr. Ringvej 37, DK-2605 Brøndby
Tel: (45) (0)36 90 00 00, Fax: (45) (0)36 90 00 01
denmark@invacare.com / www.invacare.dk

Deutschland:

Invacare Aquatec GmbH, Alemannenstraße 10, D-88316 Isny
Tel: (49) (0)75 62 7 00 0, Fax: (49) (0)75 62 7 00 66
info@invacare-aquatec.com / www.invacare-aquatec.de

European Distributor Organisation:

Invacare, Kleiststraße 49, D-32457 Porta Westfalica
Tel: (49) (0)57 31 754 540, Fax: (49) (0)57 31 754 541
edo@invacare.com / www.invacare.eu.com

España:

Invacare SA, c/Areny s/n, Polígon Industrial de Celrà, E-17460 Celrà (Girona)
Tel: (34) (0)972 49 32 00, Fax: (34) (0)972 49 32 20
contactsp@invacare.com / www.invacare.es

France:

Invacare Poirier SAS, Route de St Roch, F-37230 Fondettes
Tel: (33) (0)2 47 62 64 66, Fax: (33) (0)2 47 42 12 24
contactfr@invacare.com / www.invacare.fr

Ireland:

Invacare Ireland Ltd, Unit 5 Seatown Business Campus, Seatown Road, Swords, County Dublin - Ireland
Tel: (353) 1 810 7084, Fax: (353) 1 810 7085
ireland@invacare.com / www.invacare.ie

Italia:

Invacare Mecc San s.r.l., Via dei Pini 62, I-36016 Thiene (VI)
Tel: (39) 0445 38 00 59, Fax: (39) 0445 38 00 34
italia@invacare.com / www.invacare.it

Nederland:

Invacare BV, Celsiusstraat 46, NL-6716 BZ Ede
Tel: (31) (0)318 695 757, Fax: (31) (0)318 695 758
nederland@invacare.com, csede@invacare.com / www.invacare.nl

Norge:

Invacare AS, Grensesvingen 9, Postboks 6230, Etterstad, N-0603 Oslo
Tel: (47) (0)22 57 95 00, Fax: (47) (0)22 57 95 01
norway@invacare.com, island@invacare.com / www.invacare.no

Österreich:

Invacare Austria GmbH, Herzog Odilostrasse 101, A-5310 Mondsee
Tel: (43) 6232 5535 0, Fax: (43) 6232 5535 4
info-austria@invacare.com / www.invacare.at

Portugal:

Invacare Lda, Rua Estrada Velha, 949, P-4465-784 Leça do Balio
Tel: (351) (0)225 1059 46/47, Fax: (351) (0)225 1057 39
portugal@invacare.com / www.invacare.pt

Sverige & Suomi:

Invacare AB, Fagerstagatan 9, S-163 91 Spånga
Tel: (46) (0)8 761 70 90, Fax: (46) (0)8 761 81 08
sweden@invacare.com, finland@invacare.com / www.invacare.se

Switzerland:

Invacare AG, Benkenstrasse 260, CH-4108 Witterswil
Tel: (41) (0)61 487 70 80, Fax: (41) (0)61 487 70 81
switzerland@invacare.com / www.invacare.ch

United Kingdom:

Invacare Limited, Pencoed Technology Park, Pencoed, Bridgend CF35 5AQ
Switchboard Tel: (44) (0)1656 776200, Fax: (44) (0)1656 776201
Customer services Tel: (44) (0)1656 776222, Fax: (44) (0)1656 776220
uk@invacare.com / www.invacare.co.uk