

## ***Spare Parts Catalogue***

---

Version: 2014/01/07a NO



*KÜSCHALL*® Ultra-Light



**Yes, you can.®**

## **General Information**

*For any order of spare parts the following information is required:*

- Product type*
- Product name & model*
- Serial Number*
- Part-Number*
- Part-Description*

*Exploded view drawings and code numbers are not contractual and subject to modification, in relation to Invacare® continuous product improvement policy to meet end users needs.*

*The reproduction or use of this work, or of any substantial part of this work, in any form or by any electronic, mechanical or other means, including photocopying, scanning and recording, and in any information storage and retrieval system, including electronic transmission, is forbidden without the prior written permission of Invacare® International Sarl.*



Yes, you can.®

## TABLE OF CONTENTS

---

### (INFORMATION)

(Frame colours) .....	5
(CPS colours) .....	6

### (CHASSIS)

(CHASSIS) .....	7
(Front frames for flow system) .....	8
(Front frames for bearing blocks) .....	13
(Cross brace to frame 70°, SB32-40) .....	22
(Cross brace to frame 70°, SB42-50) .....	33
(Cross brace to frame 80°, SB32-40) .....	44
(Cross brace to frame 80°, SB42-50) .....	57
(Rear frames) .....	70
(Rear wheel fixation) .....	72

### (SEAT)

(SEAT) .....	73
(Seat cover standard) .....	74
(Seat cover with 1 Velcro band (soft band)) .....	75
(Seat cover with 2 Velcro bands (rough band)) .....	78
(Seat cover standard for seat bag) .....	81
(Seat cover with 1 Velcro band (soft band) for seat bag) .....	84
(Seat cover with 2 Velcro bands (rough band) for seat bag) .....	87
(Seat cushion standard) .....	90

### (BACKREST)

(BACKREST) .....	92
(Push handles for backrest standard) .....	93
(Backrest tubes without push handles for standard backrest) .....	94
(Push handles for backrest angle adjustable) .....	95
(Backrest tubes without push handles for angle adjustable backrest) .....	96
(Push handles for backrest foldable) .....	97
(Push handles for backrest foldable + angle adjustable) .....	98
(Push handles height adjustable) .....	99
(Push handles height adjustable for backrest angle adjustable) .....	100
(Push handles height adjustable for backrest foldable) .....	102
(Push handles height adjustable for backrest foldable + angle adjustable) .....	104
(Push handles, inclined) .....	105
(Backrest stabilization bar) .....	106
(Back cover, standard) .....	108
(Bands to adjustable backrest) .....	110
(Cover to adjustable backrest) .....	111

### (FOOTREST)

(FOOTREST) .....	113
(Footrest 1-piece) .....	114
(Footrest 1-piece, foldable) .....	116
(Footrest 2-piece) .....	117
(Footrest 2-piece, angle adjustable) .....	120

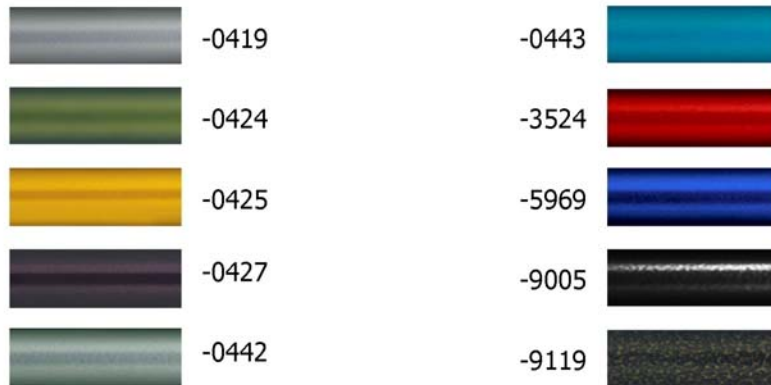


Yes, you can.®

## TABLE OF CONTENTS

---

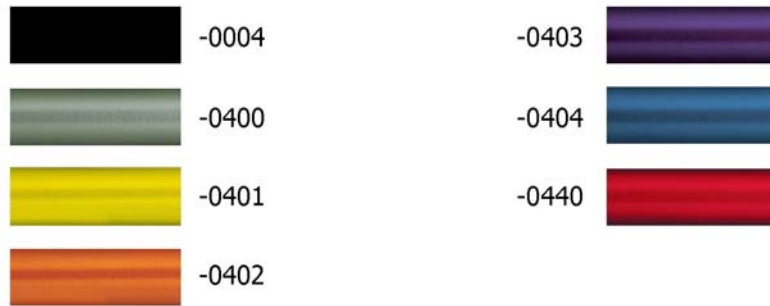
(Footrest high mounted) .....	122
(Footband) .....	123
<b>(SIDERESTS)</b>	
(SIDERESTS) .....	124
(Clothes-guards) .....	125
(Mudguards 01.11.2008=>) .....	126
(Siderest height adjustable 01.04.2008=>) .....	127
(Siderest fold back, height adjustable) .....	128
(Siderest with desk function) .....	129
(Tubular armrest) .....	130
<b>(FRONT WHEELS)</b>	
(FRONT WHEELS) .....	131
(Front forks for flow system) .....	132
(Front forks for bearing blocks) .....	134
(Front wheels) .....	136
<b>(REAR WHEELS)</b>	
(REAR WHEELS) .....	138
(22" Kuschall rear wheels complete) .....	139
(24" Kuschall rear wheels complete) .....	141
(26" Kuschall rear wheels complete) .....	143
(High Performance wheel) .....	145
(Mountain bike wheel) .....	147
(Spider wheel) .....	148
(Spinergy wheel) .....	149
(Drumbrake wheel) .....	150
(Handrim) .....	151
(Fixation handrim) .....	153
(Tyre) .....	154
(Inner tube and rim protector) .....	155
(Spokes guard) .....	156
(Quick release axle and bearing) .....	157
<b>(BRAKES)</b>	
(BRAKES) .....	158
(Brakes 15.02.2008=>) .....	159
(Drum brake) .....	160
<b>(OPTIONS &amp; ACCESSORIES)</b>	
(OPTIONS & ACCESSORIES) .....	161
(Tipper aid) .....	162
(Antitipper 12.12.2008=>) .....	163
(Cane holder) .....	164
(Transit wheels) .....	165
(Therapy table) .....	166
(Chair accessories) .....	167

**(Frame colours)**


---

-0419	-	(Color code for silver grey frames)		0
-0424	-	(Color code for cyber green frames)	01.01.2004 → 31.12.2009	0
-0427	-	(Color code for mystic purple frames)	01.01.2004 → 31.12.2009	0
-0442	-	(Color code for night shimmer frames)	01.01.2009 →	0
-0443	-	(Color code for pearly sapphire frames)	01.01.2004 → 31.12.2009	0
-3524	-	(Color code for royal red frames)		0
-5969	-	(Color code for royal blue frames)		0
-9005	-	(Color code for glossy black frames)		0
-9119	-	(Color code for black bronze frames)		0

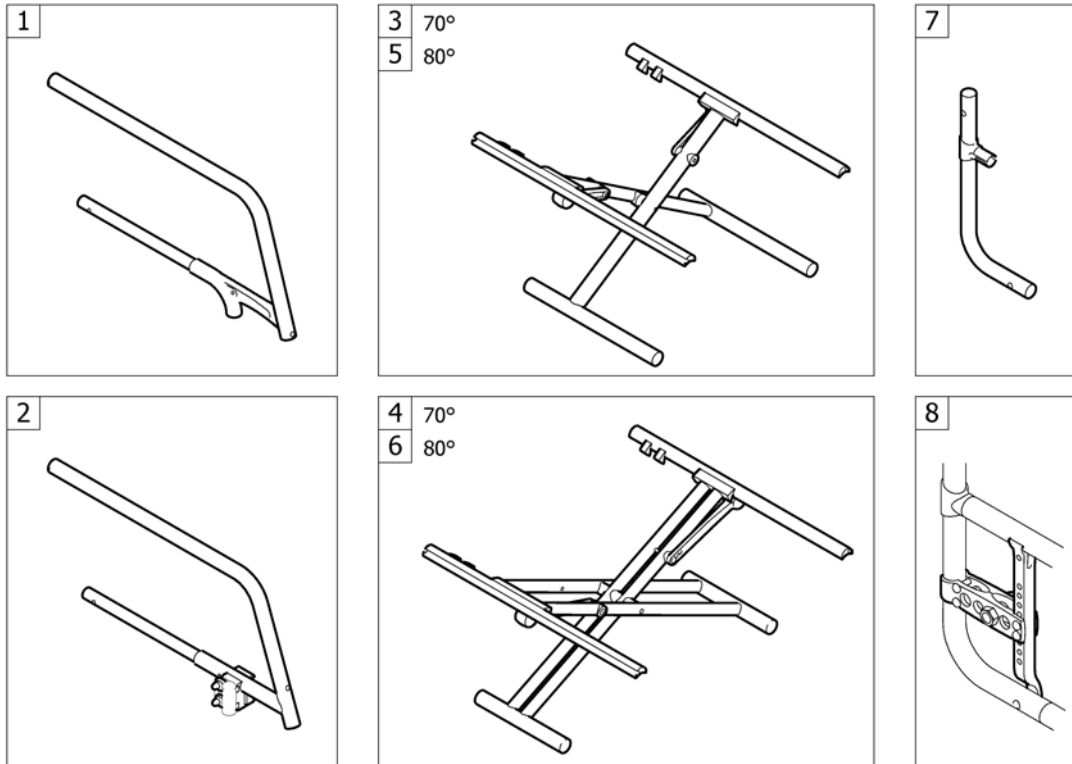
## (CPS colours)



---

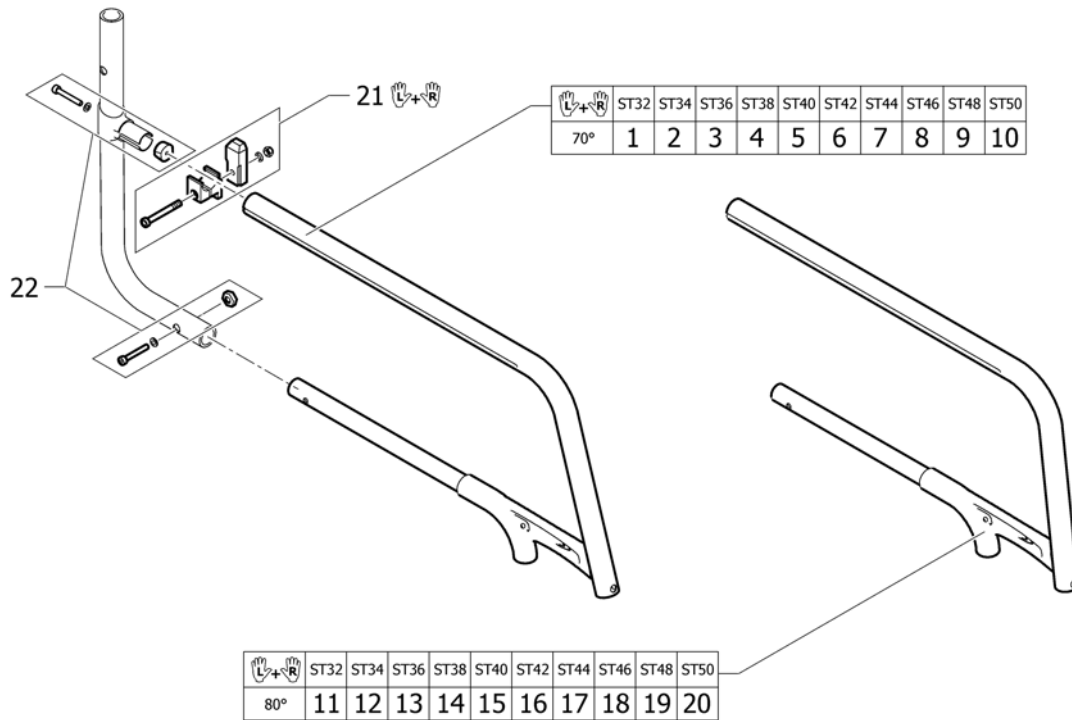
-0004	-	(Color code for black anodized CPS)		0
-0400	-	(Color code for techno-anthrazit CPS)		0
-0401	-	(Color code for lemon CPS)		0
-0402	-	(Color code for apricot CPS)		0
-0404	-	(Color code for b-blue CPS)		0
-0440	-	(Color code for comet red CPS)	01.01.2007 →	0

# (CHASSIS)



1	-	(Front frames for flow system)	01.01.2004 → 31.12.2012	1
2	-	(Front frames for bearing blocks)	01.07.2006 → 31.12.2012	1
3	-	(Cross brace to frame 70°, SB32-40)	01.01.2004 → 31.12.2012	1
4	-	(Cross brace to frame 70°, SB42-50)	01.01.2004 → 31.12.2012	1
5	-	(Cross brace to frame 80°, SB32-40)	01.01.2004 → 31.12.2012	1
6	-	(Cross brace to frame 80°, SB42-50)	01.01.2004 → 31.12.2012	1
7	-	(Rear frames)	01.01.2004 → 31.12.2012	1
8	-	(Rear wheel fixation)	01.01.2004 → 31.12.2012	1

## (Front frames for flow system)



1	1445132-0419	(Front frame Ultra-Light 70° ST32, silver grey)		1
1	1445132-0424	(Front frame Ultra-Light 70° ST32, cyber green)	01.01.2004 → 31.12.2009	1
1	1445132-0427	(Front frame Ultra-Light 70° ST32, mystic purple)	01.01.2004 → 31.12.2009	1
1	1445132-0442	(Front frame Ultra-Light 70° ST32, night shimmer)	01.01.2009 →	1
1	1445132-0443	(Front frame Ultra-Light 70° ST32, pearly sapphire)	01.01.2004 → 31.12.2009	1
1	1445132-3524	(Front frame Ultra-Light 70° ST32, royal red)		1
1	1445132-5969	(Front frame Ultra-Light 70° ST32, royal blue)		1
1	1445132-9005	(Front frame Ultra-Light 70° ST32, black, glossy)		1
1	1445132-9119	(Front frame Ultra-Light 70° ST32, black, bronze)		1
2	1445126-0419	(Front frame Ultra-Light 70° ST34, silver grey)		1
2	1445126-0424	(Front frame Ultra-Light 70° ST34, cyber green)	01.01.2004 → 31.12.2009	1
2	1445126-0427	(Front frame Ultra-Light 70° ST34, mystic purple)	01.01.2004 → 31.12.2009	1
2	1445126-0442	(Front frame Ultra-Light 70° ST34, night shimmer)	01.01.2009 →	1
2	1445126-0443	(Front frame Ultra-Light 70° ST34, pearly sapphire)	01.01.2004 → 31.12.2009	1
2	1445126-3524	(Front frame Ultra-Light 70° ST34, royal red)		1
2	1445126-5969	(Front frame Ultra-Light 70° ST34, royal blue)		1
2	1445126-9005	(Front frame Ultra-Light 70° ST34, black, glossy)		1
2	1445126-9119	(Front frame Ultra-Light 70° ST34, black, bronze)		1
3	1445120-0419	(Front frame Ultra-Light 70° ST36, silver grey)		1
3	1445120-0424	(Front frame Ultra-Light 70° ST36, cyber green)	01.01.2004 → 31.12.2009	1
3	1445120-0427	(Front frame Ultra-Light 70° ST36, mystic purple)	01.01.2004 → 31.12.2009	1
3	1445120-0442	(Front frame Ultra-Light 70° ST36, night shimmer)	01.01.2009 →	1
3	1445120-0443	(Front frame Ultra-Light 70° ST36, pearly sapphire)	01.01.2004 → 31.12.2009	1
3	1445120-3524	(Front frame Ultra-Light 70° ST36, royal red)		1



Küschall® Ultra-Light =>12/2009 | (CHASSIS)  
**(Front frames for flow system)**

3	1445120-5969	(Front frame Ultra-Light 70° ST36, royal blue)		1
3	1445120-9005	(Front frame Ultra-Light 70° ST36, black, glossy)		1
3	1445120-9119	(Front frame Ultra-Light 70° ST36, black, bronze)		1
4	1445114-0419	(Front frame Ultra-Light 70° ST38, silver grey)		1
4	1445114-0424	(Front frame Ultra-Light 70° ST38, cyber green)	01.01.2004 → 31.12.2009	1
4	1445114-0427	(Front frame Ultra-Light 70° ST38, mystic purple)	01.01.2004 → 31.12.2009	1
4	1445114-0442	(Front frame Ultra-Light 70° ST38, night shimmer)	01.01.2009 →	1
4	1445114-0443	(Front frame Ultra-Light 70° ST38, pearly sapphire)	01.01.2004 → 31.12.2009	1
4	1445114-3524	(Front frame Ultra-Light 70° ST38, royal red)		1
4	1445114-5969	(Front frame Ultra-Light 70° ST38, royal blue)		1
4	1445114-9005	(Front frame Ultra-Light 70° ST38, black, glossy)		1
4	1445114-9119	(Front frame Ultra-Light 70° ST38, black, bronze)		1
5	1445108-0419	RAMME FRONT 70 GR SB40 SØLGRÅ UL/04		1
5	1445108-0424	(Front frame Ultra-Light 70° ST40, cyber green)	01.01.2004 → 31.12.2009	1
5	1445108-0427	(Front frame Ultra-Light 70° ST40, mystic purple)	01.01.2004 → 31.12.2009	1
5	1445108-0442	(Front frame Ultra-Light 70° ST40, night shimmer)	01.01.2009 →	1
5	1445108-0443	(Front frame Ultra-Light 70° ST40, pearly sapphire)	01.01.2004 → 31.12.2009	1
5	1445108-3524	(Front frame Ultra-Light 70° ST40, royal red)		1
5	1445108-5969	(Front frame Ultra-Light 70° ST40, royal blue)		1
5	1445108-9005	RAMMEFRONT 70GR SD40 ULTRA-LIGHT		1
5	1445108-9119	(Front frame Ultra-Light 70° ST40, black, bronze)		1
6	1445166-0419	(Front frame Ultra-Light 70° ST42, silver grey)		1
6	1445166-0424	(Front frame Ultra-Light 70° ST42, cyber green)	01.01.2004 → 31.12.2009	1
6	1445166-0427	(Front frame Ultra-Light 70° ST42, mystic purple)	01.01.2004 → 31.12.2009	1
6	1445166-0442	(Front frame Ultra-Light 70° ST42, night shimmer)	01.01.2009 →	1
6	1445166-0443	(Front frame Ultra-Light 70° ST42, pearly sapphire)	01.01.2004 → 31.12.2009	1
6	1445166-3524	(Front frame Ultra-Light 70° ST42, royal red)		1
6	1445166-5969	(Front frame Ultra-Light 70° ST42, royal blue)		1
6	1445166-9005	(Front frame Ultra-Light 70° ST42, black, glossy)		1
6	1445166-9119	(Front frame Ultra-Light 70° ST42, black, bronze)		1
7	1445160-0419	(Front frame Ultra-Light 70° ST44, silver grey)		1
7	1445160-0424	(Front frame Ultra-Light 70° ST44, cyber green)	01.01.2004 → 31.12.2009	1
7	1445160-0427	(Front frame Ultra-Light 70° ST44, mystic purple)	01.01.2004 → 31.12.2009	1
7	1445160-0442	(Front frame Ultra-Light 70° ST44, night shimmer)	01.01.2009 →	1
7	1445160-0443	(Front frame Ultra-Light 70° ST44, pearly sapphire)	01.01.2004 → 31.12.2009	1
7	1445160-3524	(Front frame Ultra-Light 70° ST44, royal red)		1
7	1445160-5969	(Front frame Ultra-Light 70° ST44, royal blue)		1
7	1445160-9005	RAMMEFRONT 70GR SD44 ULTRA-LIGHT		1
7	1445160-9119	(Front frame Ultra-Light 70° ST44, black, bronze)		1
8	1445154-0419	(Front frame Ultra-Light 70° ST46, silver grey)		1
8	1445154-0424	(Front frame Ultra-Light 70° ST46, cyber green)	01.01.2004 → 31.12.2009	1
8	1445154-0427	(Front frame Ultra-Light 70° ST46, mystic purple)	01.01.2004 → 31.12.2009	1
8	1445154-0442	(Front frame Ultra-Light 70° ST46, night shimmer)	01.01.2009 →	1
8	1445154-0443	(Front frame Ultra-Light 70° ST46, pearly sapphire)	01.01.2004 → 31.12.2009	1

**(Front frames for flow system)**

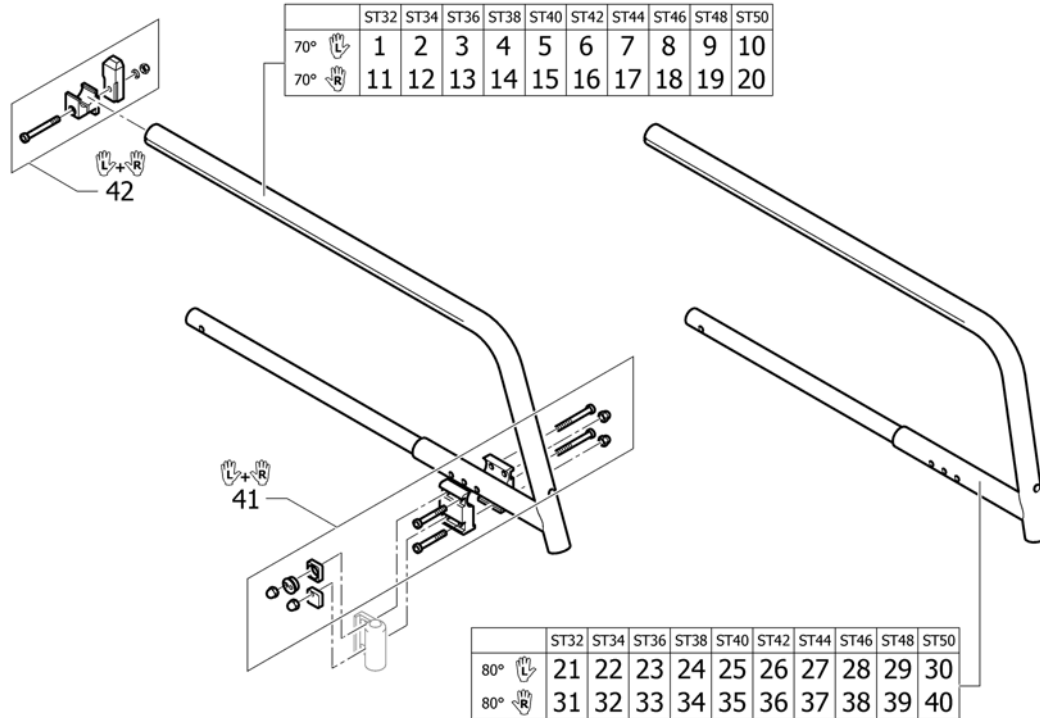
8	1445154-3524	(Front frame Ultra-Light 70° ST46, royal red)		1
8	1445154-5969	(Front frame Ultra-Light 70° ST46, royal blue)		1
8	1445154-9005	(Front frame Ultra-Light 70° ST46, black, glossy)		1
8	1445154-9119	(Front frame Ultra-Light 70° ST46, black, bronze)		1
9	1445148-0419	(Front frame Ultra-Light 70° ST48, silver grey)		1
9	1445148-0424	(Front frame Ultra-Light 70° ST48, cyber green)	01.01.2004 → 31.12.2009	1
9	1445148-0427	(Front frame Ultra-Light 70° ST48, mystic purple)	01.01.2004 → 31.12.2009	1
9	1445148-0442	(Front frame Ultra-Light 70° ST48, night shimmer)	01.01.2009 →	1
9	1445148-0443	(Front frame Ultra-Light 70° ST48, pearly sapphire)	01.01.2004 → 31.12.2009	1
9	1445148-3524	(Front frame Ultra-Light 70° ST48, royal red)		1
9	1445148-5969	(Front frame Ultra-Light 70° ST48, royal blue)		1
9	1445148-9005	(Front frame Ultra-Light 70° ST48, black, glossy)		1
9	1445148-9119	(Front frame Ultra-Light 70° ST48, black, bronze)		1
10	1445142-0419	(Front frame Ultra-Light 70° ST50, silver grey)		1
10	1445142-0424	(Front frame Ultra-Light 70° ST50, cyber green)	01.01.2004 → 31.12.2009	1
10	1445142-0427	(Front frame Ultra-Light 70° ST50, mystic purple)	01.01.2004 → 31.12.2009	1
10	1445142-0442	(Front frame Ultra-Light 70° ST50, night shimmer)	01.01.2009 →	1
10	1445142-0443	(Front frame Ultra-Light 70° ST50, pearly sapphire)	01.01.2004 → 31.12.2009	1
10	1445142-3524	(Front frame Ultra-Light 70° ST50, royal red)		1
10	1445142-5969	(Front frame Ultra-Light 70° ST50, royal blue)		1
10	1445142-9005	(Front frame Ultra-Light 70° ST50, black, glossy)		1
10	1445142-9119	(Front frame Ultra-Light 70° ST50, black, bronze)		1
11	1445133-0419	(Front frame Ultra-Light 80° ST32, silver grey)		1
11	1445133-0424	(Front frame Ultra-Light 80° ST32, cyber green)	01.01.2004 → 31.12.2009	1
11	1445133-0427	(Front frame Ultra-Light 80° ST32, mystic purple)	01.01.2004 → 31.12.2009	1
11	1445133-0442	(Front frame Ultra-Light 80° ST32, night shimmer)	01.01.2009 →	1
11	1445133-0443	(Front frame Ultra-Light 80° ST32, pearly sapphire)	01.01.2004 → 31.12.2009	1
11	1445133-3524	(Front frame Ultra-Light 80° ST32, royal red)		1
11	1445133-5969	(Front frame Ultra-Light 80° ST32, royal blue)		1
11	1445133-9005	(Front frame Ultra-Light 80° ST32, black, glossy)		1
11	1445133-9119	(Front frame Ultra-Light 80° ST32, black, bronze)		1
12	1445127-0419	(Front frame Ultra-Light 80° ST34, silver grey)		1
12	1445127-0424	(Front frame Ultra-Light 80° ST34, cyber green)	01.01.2004 → 31.12.2009	1
12	1445127-0427	(Front frame Ultra-Light 80° ST34, mystic purple)	01.01.2004 → 31.12.2009	1
12	1445127-0442	(Front frame Ultra-Light 80° ST34, night shimmer)	01.01.2009 →	1
12	1445127-0443	(Front frame Ultra-Light 80° ST34, pearly sapphire)	01.01.2004 → 31.12.2009	1
12	1445127-3524	(Front frame Ultra-Light 80° ST34, royal red)		1
12	1445127-5969	(Front frame Ultra-Light 80° ST34, royal blue)		1
12	1445127-9005	(Front frame Ultra-Light 80° ST34, black, glossy)		1
12	1445127-9119	(Front frame Ultra-Light 80° ST34, black, bronze)		1
13	1445121-0419	(Front frame Ultra-Light 80° ST36, silver grey)		1
13	1445121-0424	(Front frame Ultra-Light 80° ST36, cyber green)	01.01.2004 → 31.12.2009	1
13	1445121-0427	(Front frame Ultra-Light 80° ST36, mystic purple)	01.01.2004 → 31.12.2009	1
13	1445121-0442	(Front frame Ultra-Light 80° ST36, night shimmer)	01.01.2009 →	1

13	1445121-0443	(Front frame Ultra-Light 80° ST36, pearly sapphire)	01.01.2004 → 31.12.2009	1
13	1445121-3524	(Front frame Ultra-Light 80° ST36, royal red)		1
13	1445121-5969	(Front frame Ultra-Light 80° ST36, royal blue)		1
13	1445121-9005	(Front frame Ultra-Light 80° ST36, black, glossy)		1
13	1445121-9119	(Front frame Ultra-Light 80° ST36, black, bronze)		1
14	1445115-0419	(Front frame Ultra-Light 80° ST38, silver grey)		1
14	1445115-0424	(Front frame Ultra-Light 80° ST38, cyber green)	01.01.2004 → 31.12.2009	1
14	1445115-0427	(Front frame Ultra-Light 80° ST38, mystic purple)	01.01.2004 → 31.12.2009	1
14	1445115-0442	(Front frame Ultra-Light 80° ST38, night shimmer)	01.01.2009 →	1
14	1445115-0443	(Front frame Ultra-Light 80° ST38, pearly sapphire)	01.01.2004 → 31.12.2009	1
14	1445115-3524	(Front frame Ultra-Light 80° ST38, royal red)		1
14	1445115-5969	(Front frame Ultra-Light 80° ST38, royal blue)		1
14	1445115-9005	(Front frame Ultra-Light 80° ST38, black, glossy)		1
14	1445115-9119	(Front frame Ultra-Light 80° ST38, black, bronze)		1
15	1445109-0419	(Front frame Ultra-Light 80° ST40, silver grey)		1
15	1445109-0424	(Front frame Ultra-Light 80° ST40, cyber green)	01.01.2004 → 31.12.2009	1
15	1445109-0427	(Front frame Ultra-Light 80° ST40, mystic purple)	01.01.2004 → 31.12.2009	1
15	1445109-0442	(Front frame Ultra-Light 80° ST40, night shimmer)	01.01.2009 →	1
15	1445109-0443	(Front frame Ultra-Light 80° ST40, pearly sapphire)	01.01.2004 → 31.12.2009	1
15	1445109-3524	(Front frame Ultra-Light 80° ST40, royal red)		1
15	1445109-5969	(Front frame Ultra-Light 80° ST40, royal blue)		1
15	1445109-9005	RAMMEFRONT 80GR SD40 ULTRA-LIGHT		1
15	1445109-9119	(Front frame Ultra-Light 80° ST40, black, bronze)		1
16	1445167-0419	(Front frame Ultra-Light 80° ST42, silver grey)		1
16	1445167-0424	(Front frame Ultra-Light 80° ST42, cyber green)	01.01.2004 → 31.12.2009	1
16	1445167-0427	(Front frame Ultra-Light 80° ST42, mystic purple)	01.01.2004 → 31.12.2009	1
16	1445167-0442	(Front frame Ultra-Light 80° ST42, night shimmer)	01.01.2009 →	1
16	1445167-0443	(Front frame Ultra-Light 80° ST42, pearly sapphire)	01.01.2004 → 31.12.2009	1
16	1445167-3524	(Front frame Ultra-Light 80° ST42, royal red)		1
16	1445167-5969	(Front frame Ultra-Light 80° ST42, royal blue)		1
16	1445167-9005	(Front frame Ultra-Light 80° ST42, black, glossy)		1
16	1445167-9119	(Front frame Ultra-Light 80° ST42, black, bronze)		1
17	1445161-0419	(Front frame Ultra-Light 80° ST44, silver grey)		1
17	1445161-0424	(Front frame Ultra-Light 80° ST44, cyber green)	01.01.2004 → 31.12.2009	1
17	1445161-0427	(Front frame Ultra-Light 80° ST44, mystic purple)	01.01.2004 → 31.12.2009	1
17	1445161-0442	(Front frame Ultra-Light 80° ST44, night shimmer)	01.01.2009 →	1
17	1445161-0443	(Front frame Ultra-Light 80° ST44, pearly sapphire)	01.01.2004 → 31.12.2009	1
17	1445161-3524	(Front frame Ultra-Light 80° ST44, royal red)		1
17	1445161-5969	(Front frame Ultra-Light 80° ST44, royal blue)		1
17	1445161-9005	RAMMEFRONT 80GR SD44 ULTRA-LIGHT		1
17	1445161-9119	(Front frame Ultra-Light 80° ST44, black, bronze)		1
18	1445155-0419	(Front frame Ultra-Light 80° ST46, silver grey)		1
18	1445155-0424	(Front frame Ultra-Light 80° ST46, cyber green)	01.01.2004 → 31.12.2009	1
18	1445155-0427	(Front frame Ultra-Light 80° ST46, mystic purple)	01.01.2004 → 31.12.2009	1

**(Front frames for flow system)**

18	1445155-0442	(Front frame Ultra-Light 80° ST46, night shimmer)	01.01.2009 →	1
18	1445155-0443	(Front frame Ultra-Light 80° ST46, pearly sapphire)	01.01.2004 → 31.12.2009	1
18	1445155-3524	(Front frame Ultra-Light 80° ST46, royal red)		1
18	1445155-5969	(Front frame Ultra-Light 80° ST46, royal blue)		1
18	1445155-9005	RAMMEFRONT 80GR SD46 ULTRA-LIGHT		1
18	1445155-9119	(Front frame Ultra-Light 80° ST46, black, bronze)		1
19	1445149-0419	(Front frame Ultra-Light 80° ST48, silver grey)		1
19	1445149-0424	(Front frame Ultra-Light 80° ST48, cyber green)	01.01.2004 → 31.12.2009	1
19	1445149-0427	(Front frame Ultra-Light 80° ST48, mystic purple)	01.01.2004 → 31.12.2009	1
19	1445149-0442	(Front frame Ultra-Light 80° ST48, night shimmer)	01.01.2009 →	1
19	1445149-0443	(Front frame Ultra-Light 80° ST48, pearly sapphire)	01.01.2004 → 31.12.2009	1
19	1445149-3524	(Front frame Ultra-Light 80° ST48, royal red)		1
19	1445149-5969	(Front frame Ultra-Light 80° ST48, royal blue)		1
19	1445149-9005	(Front frame Ultra-Light 80° ST48, black, glossy)		1
19	1445149-9119	(Front frame Ultra-Light 80° ST48, black, bronze)		1
20	1445143-0419	(Front frame Ultra-Light 80° ST50, silver grey)		1
20	1445143-0424	(Front frame Ultra-Light 80° ST50, cyber green)	01.01.2004 → 31.12.2009	1
20	1445143-0427	(Front frame Ultra-Light 80° ST50, mystic purple)	01.01.2004 → 31.12.2009	1
20	1445143-0442	(Front frame Ultra-Light 80° ST50, night shimmer)	01.01.2009 →	1
20	1445143-0443	(Front frame Ultra-Light 80° ST50, pearly sapphire)	01.01.2004 → 31.12.2009	1
20	1445143-3524	(Front frame Ultra-Light 80° ST50, royal red)		1
20	1445143-5969	(Front frame Ultra-Light 80° ST50, royal blue)		1
20	1445143-9005	(Front frame Ultra-Light 80° ST50, black, glossy)		1
20	1445143-9119	(Front frame Ultra-Light 80° ST50, black, bronze)		1
21	1509133	(Longitudinal locking kit, pair)		1
22	1437842	MONTERINGSSETT BAKRAMME		1

## (Front frames for bearing blocks)



1	1495561-0419	(Frame Ultra-Light 70° ST32 left ext. Silver Grey)		1
1	1495561-0424	(Frame Ultra-Light 70° ST32 left ext. Cyber Green)	01.07.2006 → 31.12.2009	1
1	1495561-0427	(Frame Ultra-Light 70° ST32 left ext. Mystic Purple)	01.07.2006 → 31.12.2009	1
1	1495561-0442	(Frame Ultra-Light 70° ST32 left ext. night shimmer)	01.01.2009 →	1
1	1495561-0443	(Frame Ultra-Light 70° ST32 left ext. pearly sapphire)	01.01.2007 → 31.12.2009	1
1	1495561-3524	(Frame Ultra-Light 70° ST32 left ext. Royal Red)		1
1	1495561-5969	(Frame Ultra-Light 70° ST32 left ext. Royal Blue)		1
1	1495561-9005	(Frame Ultra-Light 70° ST32 left ext. Black glossy)		1
1	1495561-9119	(Frame Ultra-Light 70° ST32 left ext. Black bronze)		1
2	1495555-0419	(Frame Ultra-Light 70° ST34 left ext. Silver Grey)		1
2	1495555-0424	(Frame Ultra-Light 70° ST34 left ext. Cyber Green)	01.07.2006 → 31.12.2009	1
2	1495555-0427	(Frame Ultra-Light 70° ST34 left ext. Mystic Purple)	01.07.2006 → 31.12.2009	1
2	1495555-0442	(Frame Ultra-Light 70° ST34 left ext. night shimmer)	01.01.2009 →	1
2	1495555-0443	(Frame Ultra-Light 70° ST34 left ext. pearly sapphire)	01.01.2007 → 31.12.2009	1
2	1495555-3524	(Frame Ultra-Light 70° ST34 left ext. Royal Red)		1
2	1495555-5969	(Frame Ultra-Light 70° ST34 left ext. Royal Blue)		1
2	1495555-9005	(Frame Ultra-Light 70° ST34 left ext. Black glossy)		1
2	1495555-9119	(Frame Ultra-Light 70° ST34 left ext. Black bronze)		1
3	1495549-0419	(Frame Ultra-Light 70° ST36 left ext. Silver Grey)		1
3	1495549-0424	(Frame Ultra-Light 70° ST36 left ext. Cyber Green)	01.07.2006 → 31.12.2009	1
3	1495549-0427	RAMMEFRONT COMPACT SB36 VENSTRE MYSTIC PURPLE	01.07.2006 → 31.12.2009	1
3	1495549-0442	(Frame Ultra-Light 70° ST36 left ext. night shimmer)	01.01.2009 →	1
3	1495549-0443	(Frame Ultra-Light 70° ST36 left ext. pearly sapphire)	01.01.2007 → 31.12.2009	1
3	1495549-3524	(Frame Ultra-Light 70° ST36 left ext. Royal Red)		1

**(Front frames for bearing blocks)**

3	1495549-5969	(Frame Ultra-Light 70° ST36 left ext. Royal Blue)		1
3	1495549-9005	(Frame Ultra-Light 70° ST36 left ext. Black glossy)		1
3	1495549-9119	(Frame Ultra-Light 70° ST36 left ext. Black bronze)		1
4	1495543-0419	(Frame Ultra-Light 70° ST38 left ext. Silver Grey)		1
4	1495543-0424	(Frame Ultra-Light 70° ST38 left ext. Cyber Green)	01.07.2006 → 31.12.2009	1
4	1495543-0427	(Frame Ultra-Light 70° ST38 left ext. Mystic Purple)	01.07.2006 → 31.12.2009	1
4	1495543-0442	(Frame Ultra-Light 70° ST38 left ext. night shimmer)	01.01.2009 →	1
4	1495543-0443	(Frame Ultra-Light 70° ST38 left ext. pearly sapphire)	01.01.2007 → 31.12.2009	1
4	1495543-3524	(Frame Ultra-Light 70° ST38 left ext. Royal Red)		1
4	1495543-5969	(Frame Ultra-Light 70° ST38 left ext. Royal Blue)		1
4	1495543-9005	(Frame Ultra-Light 70° ST38 left ext. Black glossy)		1
4	1495543-9119	(Frame Ultra-Light 70° ST38 left ext. Black bronze)		1
5	1495537-0419	(Frame Ultra-Light 70° ST40 left ext. Silver Grey)		1
5	1495537-0424	(Frame Ultra-Light 70° ST40 left ext. Cyber Green)	01.07.2006 → 31.12.2009	1
5	1495537-0427	(Frame Ultra-Light 70° ST40 left ext. Mystic Purple)	01.07.2006 → 31.12.2009	1
5	1495537-0442	(Frame Ultra-Light 70° ST40 left ext. night shimmer)	01.01.2009 →	1
5	1495537-0443	(Frame Ultra-Light 70° ST40 left ext. pearly sapphire)	01.01.2007 → 31.12.2009	1
5	1495537-3524	(Frame Ultra-Light 70° ST40 left ext. Royal Red)		1
5	1495537-5969	(Frame Ultra-Light 70° ST40 left ext. Royal Blue)		1
5	1495537-9005	RAMMEFRONT ULTRALIGHT 70G STD 40 VENSTRE SORT		1
5	1495537-9119	(Frame Ultra-Light 70° ST40 left ext. Black bronze)		1
6	1495531-0419	(Frame Ultra-Light 70° ST42 left ext. Silver Grey)		1
6	1495531-0424	(Frame Ultra-Light 70° ST42 left ext. Cyber Green)	01.07.2006 → 31.12.2009	1
6	1495531-0427	(Frame Ultra-Light 70° ST42 left ext. Mystic Purple)	01.07.2006 → 31.12.2009	1
6	1495531-0442	(Frame Ultra-Light 70° ST42 left ext. night shimmer)	01.01.2009 →	1
6	1495531-0443	(Frame Ultra-Light 70° ST42 left ext. pearly sapphire)	01.01.2007 → 31.12.2009	1
6	1495531-3524	(Frame Ultra-Light 70° ST42 left ext. Royal Red)		1
6	1495531-5969	(Frame Ultra-Light 70° ST42 left ext. Royal Blue)		1
6	1495531-9005	(Frame Ultra-Light 70° ST42 left ext. Black glossy)		1
6	1495531-9119	(Frame Ultra-Light 70° ST42 left ext. Black bronze)		1
7	1495525-0419	(Frame Ultra-Light 70° ST44 left ext. Silver Grey)		1
7	1495525-0424	(Frame Ultra-Light 70° ST44 left ext. Cyber Green)	01.07.2006 → 31.12.2009	1
7	1495525-0427	(Frame Ultra-Light 70° ST44 left ext. Mystic Purple)	01.07.2006 → 31.12.2009	1
7	1495525-0442	(Frame Ultra-Light 70° ST44 left ext. night shimmer)	01.01.2009 →	1
7	1495525-0443	(Frame Ultra-Light 70° ST44 left ext. pearly sapphire)	01.01.2007 → 31.12.2009	1
7	1495525-3524	(Frame Ultra-Light 70° ST44 left ext. Royal Red)		1
7	1495525-5969	(Frame Ultra-Light 70° ST44 left ext. Royal Blue)		1
7	1495525-9005	(Frame Ultra-Light 70° ST44 left ext. Black glossy)		1
7	1495525-9119	(Frame Ultra-Light 70° ST44 left ext. Black bronze)		1
8	1495519-0419	(Frame Ultra-Light 70° ST46 left ext. Silver Grey)		1
8	1495519-0424	(Frame Ultra-Light 70° ST46 left ext. Cyber Green)	01.07.2006 → 31.12.2009	1
8	1495519-0427	(Frame Ultra-Light 70° ST46 left ext. Mystic Purple)	01.07.2006 → 31.12.2009	1
8	1495519-0442	(Frame Ultra-Light 70° ST46 left ext. night shimmer)	01.01.2009 →	1
8	1495519-0443	(Frame Ultra-Light 70° ST46 left ext. pearly sapphire)	01.01.2007 → 31.12.2009	1

Küschall® Ultra-Light =>12/2009 | (CHASSIS)  
**(Front frames for bearing blocks)**

8	1495519-3524	(Frame Ultra-Light 70° ST46 left ext. Royal Red)		1
8	1495519-5969	(Frame Ultra-Light 70° ST46 left ext. Royal Blue)		1
8	1495519-9005	(Frame Ultra-Light 70° ST46 left ext. Black glossy)		1
8	1495519-9119	(Frame Ultra-Light 70° ST46 left ext. Black bronze)		1
9	1495513-0419	(Frame Ultra-Light 70° ST48 left ext. Silver Grey)		1
9	1495513-0424	(Frame Ultra-Light 70° ST48 left ext. Cyber Green)	01.07.2006 → 31.12.2009	1
9	1495513-0427	(Frame Ultra-Light 70° ST48 left ext. Mystic Purple)	01.07.2006 → 31.12.2009	1
9	1495513-0442	(Frame Ultra-Light 70° ST48 left ext. night shimmer)	01.01.2009 →	1
9	1495513-0443	(Frame Ultra-Light 70° ST48 left ext. pearly sapphire)	01.01.2007 → 31.12.2009	1
9	1495513-3524	(Frame Ultra-Light 70° ST48 left ext. Royal Red)		1
9	1495513-5969	(Frame Ultra-Light 70° ST48 left ext. Royal Blue)		1
9	1495513-9005	(Frame Ultra-Light 70° ST48 left ext. Black glossy)		1
9	1495513-9119	(Frame Ultra-Light 70° ST48 left ext. Black bronze)		1
10	1495507-0419	(Frame Ultra-Light 70° ST50 left ext. Silver Grey)		1
10	1495507-0424	(Frame Ultra-Light 70° ST50 left ext. Cyber Green)	01.07.2006 → 31.12.2009	1
10	1495507-0427	(Frame Ultra-Light 70° ST50 left ext. Mystic Purple)	01.07.2006 → 31.12.2009	1
10	1495507-0442	(Frame Ultra-Light 70° ST50 left ext. night shimmer)	01.01.2009 →	1
10	1495507-0443	(Frame Ultra-Light 70° ST50 left ext. pearly sapphire)	01.01.2007 → 31.12.2009	1
10	1495507-3524	(Frame Ultra-Light 70° ST50 left ext. Royal Red)		1
10	1495507-5969	(Frame Ultra-Light 70° ST50 left ext. Royal Blue)		1
10	1495507-9005	(Frame Ultra-Light 70° ST50 left ext. Black glossy)		1
10	1495507-9119	(Frame Ultra-Light 70° ST50 left ext. Black bronze)		1
11	1495558-0419	(Frame Ultra-Light 70° ST32 right ext. Silver Grey)		1
11	1495558-0424	(Frame Ultra-Light 70° ST32 right ext. Cyber Green)	01.07.2006 → 31.12.2009	1
11	1495558-0427	(Frame Ultra-Light 70° ST32 right ext. Mystic Purple)	01.07.2006 → 31.12.2009	1
11	1495558-0442	(Frame Ultra-Light 70° ST32 right ext. night shimmer)	01.01.2009 →	1
11	1495558-0443	(Frame Ultra-Light 70° ST32 right ext. pearly sapphire)	01.01.2007 → 31.12.2009	1
11	1495558-3524	(Frame Ultra-Light 70° ST32 right ext. Royal Red)		1
11	1495558-5969	(Frame Ultra-Light 70° ST32 right ext. Royal Blue)		1
11	1495558-9005	(Frame Ultra-Light 70° ST32 right ext. Black glossy)		1
11	1495558-9119	(Frame Ultra-Light 70° ST32 right ext. Black bronze)		1
12	1495552-0419	(Frame Ultra-Light 70° ST34 right ext. Silver Grey)		1
12	1495552-0424	(Frame Ultra-Light 70° ST34 right ext. Cyber Green)	01.07.2006 → 31.12.2009	1
12	1495552-0427	(Frame Ultra-Light 70° ST34 right ext. Mystic Purple)	01.07.2006 → 31.12.2009	1
12	1495552-0442	(Frame Ultra-Light 70° ST34 right ext. night shimmer)	01.01.2009 →	1
12	1495552-0443	(Frame Ultra-Light 70° ST34 right ext. pearly sapphire)	01.01.2007 → 31.12.2009	1
12	1495552-3524	(Frame Ultra-Light 70° ST34 right ext. Royal Red)		1
12	1495552-5969	(Frame Ultra-Light 70° ST34 right ext. Royal Blue)		1
12	1495552-9005	(Frame Ultra-Light 70° ST34 right ext. Black glossy)		1
12	1495552-9119	(Frame Ultra-Light 70° ST34 right ext. Black bronze)		1
13	1495546-0419	(Frame Ultra-Light 70° ST36 right ext. Silver Grey)		1
13	1495546-0424	(Frame Ultra-Light 70° ST36 right ext. Cyber Green)	01.07.2006 → 31.12.2009	1
13	1495546-0427	(Frame Ultra-Light 70° ST36 right ext. Mystic Purple)	01.07.2006 → 31.12.2009	1
13	1495546-0442	(Frame Ultra-Light 70° ST36 right ext. night shimmer)	01.01.2009 →	1

**(Front frames for bearing blocks)**

13	1495546-0443	(Frame Ultra-Light 70° ST36 right ext. pearly sapphire)	01.01.2007 → 31.12.2009	1
13	1495546-3524	(Frame Ultra-Light 70° ST36 right ext. Royal Red)		1
13	1495546-5969	(Frame Ultra-Light 70° ST36 right ext. Royal Blue)		1
13	1495546-9005	(Frame Ultra-Light 70° ST36 right ext. Black glossy)		1
13	1495546-9119	(Frame Ultra-Light 70° ST36 right ext. Black bronze)		1
14	1495540-0419	(Frame Ultra-Light 70° ST38 right ext. Silver Grey)		1
14	1495540-0424	(Frame Ultra-Light 70° ST38 right ext. Cyber Green)	01.07.2006 → 31.12.2009	1
14	1495540-0427	(Frame Ultra-Light 70° ST38 right ext. Mystic Purple)	01.07.2006 → 31.12.2009	1
14	1495540-0442	(Frame Ultra-Light 70° ST38 right ext. night shimmer)	01.01.2009 →	1
14	1495540-0443	(Frame Ultra-Light 70° ST38 right ext. pearly sapphire)	01.01.2007 → 31.12.2009	1
14	1495540-3524	(Frame Ultra-Light 70° ST38 right ext. Royal Red)		1
14	1495540-5969	(Frame Ultra-Light 70° ST38 right ext. Royal Blue)		1
14	1495540-9005	(Frame Ultra-Light 70° ST38 right ext. Black glossy)		1
14	1495540-9119	(Frame Ultra-Light 70° ST38 right ext. Black bronze)		1
15	1495534-0419	(Frame Ultra-Light 70° ST40 right ext. Silver Grey)		1
15	1495534-0424	(Frame Ultra-Light 70° ST40 right ext. Cyber Green)	01.07.2006 → 31.12.2009	1
15	1495534-0427	(Frame Ultra-Light 70° ST40 right ext. Mystic Purple)	01.07.2006 → 31.12.2009	1
15	1495534-0442	(Frame Ultra-Light 70° ST40 right ext. night shimmer)	01.01.2009 →	1
15	1495534-0443	(Frame Ultra-Light 70° ST40 right ext. pearly sapphire)	01.01.2007 → 31.12.2009	1
15	1495534-3524	(Frame Ultra-Light 70° ST40 right ext. Royal Red)		1
15	1495534-5969	(Frame Ultra-Light 70° ST40 right ext. Royal Blue)		1
15	1495534-9005	RAMMEFRONT ULTRALIGHT 70G STD 40 HØYRE SORT		1
15	1495534-9119	(Frame Ultra-Light 70° ST40 right ext. Black bronze)		1
16	1495528-0419	(Frame Ultra-Light 70° ST42 right ext. Silver Grey)		1
16	1495528-0424	(Frame Ultra-Light 70° ST42 right ext. Cyber Green)	01.07.2006 → 31.12.2009	1
16	1495528-0427	(Frame Ultra-Light 70° ST42 right ext. Mystic Purple)	01.07.2006 → 31.12.2009	1
16	1495528-0442	(Frame Ultra-Light 70° ST42 right ext. night shimmer)	01.01.2009 →	1
16	1495528-0443	(Frame Ultra-Light 70° ST42 right ext. pearly sapphire)	01.01.2007 → 31.12.2009	1
16	1495528-3524	(Frame Ultra-Light 70° ST42 right ext. Royal Red)		1
16	1495528-5969	(Frame Ultra-Light 70° ST42 right ext. Royal Blue)		1
16	1495528-9005	(Frame Ultra-Light 70° ST42 right ext. Black glossy)		1
16	1495528-9119	(Frame Ultra-Light 70° ST42 right ext. Black bronze)		1
17	1495522-0419	(Frame Ultra-Light 70° ST44 right ext. Silver Grey)		1
17	1495522-0424	(Frame Ultra-Light 70° ST44 right ext. Cyber Green)	01.07.2006 → 31.12.2009	1
17	1495522-0427	(Frame Ultra-Light 70° ST44 right ext. Mystic Purple)	01.07.2006 → 31.12.2009	1
17	1495522-0442	(Frame Ultra-Light 70° ST44 right ext. night shimmer)	01.01.2009 →	1
17	1495522-0443	(Frame Ultra-Light 70° ST44 right ext. pearly sapphire)	01.01.2007 → 31.12.2009	1
17	1495522-3524	(Frame Ultra-Light 70° ST44 right ext. Royal Red)		1
17	1495522-5969	(Frame Ultra-Light 70° ST44 right ext. Royal Blue)		1
17	1495522-9005	(Frame Ultra-Light 70° ST44 right ext. Black glossy)		1
17	1495522-9119	(Frame Ultra-Light 70° ST44 right ext. Black bronze)		1
18	1495516-0419	(Frame Ultra-Light 70° ST46 right ext. Silver Grey)		1
18	1495516-0424	(Frame Ultra-Light 70° ST46 right ext. Cyber Green)	01.07.2006 → 31.12.2009	1
18	1495516-0427	(Frame Ultra-Light 70° ST46 right ext. Mystic Purple)	01.07.2006 → 31.12.2009	1



Küschall® Ultra-Light =>12/2009 | (CHASSIS)  
**(Front frames for bearing blocks)**

18	1495516-0442	(Frame Ultra-Light 70° ST46 right ext. night shimmer)	01.01.2009 →	1
18	1495516-0443	(Frame Ultra-Light 70° ST46 right ext. pearly sapphire)	01.01.2007 → 31.12.2009	1
18	1495516-3524	(Frame Ultra-Light 70° ST46 right ext. Royal Red)		1
18	1495516-5969	(Frame Ultra-Light 70° ST46 right ext. Royal Blue)		1
18	1495516-9005	(Frame Ultra-Light 70° ST46 right ext. Black glossy)		1
18	1495516-9119	(Frame Ultra-Light 70° ST46 right ext. Black bronze)		1
19	1495510-0419	(Frame Ultra-Light 70° ST48 right ext. Silver Grey)		1
19	1495510-0424	(Frame Ultra-Light 70° ST48 right ext. Cyber Green)	01.07.2006 → 31.12.2009	1
19	1495510-0427	(Frame Ultra-Light 70° ST48 right ext. Mystic Purple)	01.07.2006 → 31.12.2009	1
19	1495510-0442	(Frame Ultra-Light 70° ST48 right ext. night shimmer)	01.01.2009 →	1
19	1495510-0443	(Frame Ultra-Light 70° ST48 right ext. pearly sapphire)	01.01.2007 → 31.12.2009	1
19	1495510-3524	(Frame Ultra-Light 70° ST48 right ext. Royal Red)		1
19	1495510-5969	(Frame Ultra-Light 70° ST48 right ext. Royal Blue)		1
19	1495510-9005	(Frame Ultra-Light 70° ST48 right ext. Black glossy)		1
19	1495510-9119	(Frame Ultra-Light 70° ST48 right ext. Black bronze)		1
20	1495504-0419	(Frame Ultra-Light 70° ST50 right ext. Silver Grey)		1
20	1495504-0424	(Frame Ultra-Light 70° ST50 right ext. Cyber Green)	01.07.2006 → 31.12.2009	1
20	1495504-0427	(Frame Ultra-Light 70° ST50 right ext. Mystic Purple)	01.07.2006 → 31.12.2009	1
20	1495504-0442	(Frame Ultra-Light 70° ST50 right ext. night shimmer)	01.01.2009 →	1
20	1495504-0443	(Frame Ultra-Light 70° ST50 right ext. pearly sapphire)	01.01.2007 → 31.12.2009	1
20	1495504-3524	(Frame Ultra-Light 70° ST50 right ext. Royal Red)		1
20	1495504-5969	(Frame Ultra-Light 70° ST50 right ext. Royal Blue)		1
20	1495504-9005	(Frame Ultra-Light 70° ST50 right ext. Black glossy)		1
20	1495504-9119	(Frame Ultra-Light 70° ST50 right ext. Black bronze)		1
21	1495562-0419	(Frame Ultra-Light 80° ST32 left ext. Silver Grey)		1
21	1495562-0424	(Frame Ultra-Light 80° ST32 left ext. Cyber Green)	01.07.2006 → 31.12.2009	1
21	1495562-0427	(Frame Ultra-Light 80° ST32 left ext. Mystic Purple)	01.07.2006 → 31.12.2009	1
21	1495562-0442	(Frame Ultra-Light 80° ST32 left ext. night shimmer)	01.01.2009 →	1
21	1495562-0443	(Frame Ultra-Light 80° ST32 left ext. pearly sapphire)	01.01.2007 → 31.12.2009	1
21	1495562-3524	(Frame Ultra-Light 80° ST32 left ext. Royal Red)		1
21	1495562-5969	(Frame Ultra-Light 80° ST32 left ext. Royal Blue)		1
21	1495562-9005	(Frame Ultra-Light 80° ST32 left ext. Black glossy)		1
21	1495562-9119	(Frame Ultra-Light 80° ST32 left ext. Black bronze)		1
22	1495556-0419	(Frame Ultra-Light 80° ST34 left ext. Silver Grey)		1
22	1495556-0424	(Frame Ultra-Light 80° ST34 left ext. Cyber Green)	01.07.2006 → 31.12.2009	1
22	1495556-0427	(Frame Ultra-Light 80° ST34 left ext. Mystic Purple)	01.07.2006 → 31.12.2009	1
22	1495556-0442	(Frame Ultra-Light 80° ST34 left ext. night shimmer)	01.01.2009 →	1
22	1495556-0443	(Frame Ultra-Light 80° ST34 left ext. pearly sapphire)	01.01.2007 → 31.12.2009	1
22	1495556-3524	(Frame Ultra-Light 80° ST34 left ext. Royal Red)		1
22	1495556-5969	(Frame Ultra-Light 80° ST34 left ext. Royal Blue)		1
22	1495556-9005	(Frame Ultra-Light 80° ST34 left ext. Black glossy)		1
22	1495556-9119	(Frame Ultra-Light 80° ST34 left ext. Black bronze)		1
23	1495550-0419	(Frame Ultra-Light 80° ST36 left ext. Silver Grey)		1
23	1495550-0424	(Frame Ultra-Light 80° ST36 left ext. Cyber Green)	01.07.2006 → 31.12.2009	1

**(Front frames for bearing blocks)**

23	1495550-0427	(Frame Ultra-Light 80° ST36 left ext. Mystic Purple)	01.07.2006 → 31.12.2009	1
23	1495550-0442	(Frame Ultra-Light 80° ST36 left ext. night shimmer)	01.01.2009 →	1
23	1495550-0443	(Frame Ultra-Light 80° ST36 left ext. pearly sapphire)	01.01.2007 → 31.12.2009	1
23	1495550-3524	(Frame Ultra-Light 80° ST36 left ext. Royal Red)		1
23	1495550-5969	(Frame Ultra-Light 80° ST36 left ext. Royal Blue)		1
23	1495550-9005	(Frame Ultra-Light 80° ST36 left ext. Black glossy)		1
23	1495550-9119	(Frame Ultra-Light 80° ST36 left ext. Black bronze)		1
24	1495544-0419	(Frame Ultra-Light 80° ST38 left ext. Silver Grey)		1
24	1495544-0424	(Frame Ultra-Light 80° ST38 left ext. Cyber Green)	01.07.2006 → 31.12.2009	1
24	1495544-0427	(Frame Ultra-Light 80° ST38 left ext. Mystic Purple)	01.07.2006 → 31.12.2009	1
24	1495544-0442	(Frame Ultra-Light 80° ST38 left ext. night shimmer)	01.01.2009 →	1
24	1495544-0443	(Frame Ultra-Light 80° ST38 left ext. pearly sapphire)	01.01.2007 → 31.12.2009	1
24	1495544-3524	(Frame Ultra-Light 80° ST38 left ext. Royal Red)		1
24	1495544-5969	(Frame Ultra-Light 80° ST38 left ext. Royal Blue)		1
24	1495544-9005	(Frame Ultra-Light 80° ST38 left ext. Black glossy)		1
24	1495544-9119	(Frame Ultra-Light 80° ST38 left ext. Black bronze)		1
25	1495538-0419	(Frame Ultra-Light 80° ST40 left ext. Silver Grey)		1
25	1495538-0424	(Frame Ultra-Light 80° ST40 left ext. Cyber Green)	01.07.2006 → 31.12.2009	1
25	1495538-0427	(Frame Ultra-Light 80° ST40 left ext. Mystic Purple)	01.07.2006 → 31.12.2009	1
25	1495538-0442	(Frame Ultra-Light 80° ST40 left ext. night shimmer)	01.01.2009 →	1
25	1495538-0443	(Frame Ultra-Light 80° ST40 left ext. pearly sapphire)	01.01.2007 → 31.12.2009	1
25	1495538-3524	(Frame Ultra-Light 80° ST40 left ext. Royal Red)		1
25	1495538-5969	(Frame Ultra-Light 80° ST40 left ext. Royal Blue)		1
25	1495538-9005	RAMMEFRONT UL 80GRADER VE 2006->		1
25	1495538-9119	(Frame Ultra-Light 80° ST40 left ext. Black bronze)		1
26	1495532-0419	(Frame Ultra-Light 80° ST42 left ext. Silver Grey)		1
26	1495532-0424	(Frame Ultra-Light 80° ST42 left ext. Cyber Green)	01.07.2006 → 31.12.2009	1
26	1495532-0427	(Frame Ultra-Light 80° ST42 left ext. Mystic Purple)	01.07.2006 → 31.12.2009	1
26	1495532-0442	(Frame Ultra-Light 80° ST42 left ext. night shimmer)	01.01.2009 →	1
26	1495532-0443	(Frame Ultra-Light 80° ST42 left ext. pearly sapphire)	01.01.2007 → 31.12.2009	1
26	1495532-3524	(Frame Ultra-Light 80° ST42 left ext. Royal Red)		1
26	1495532-5969	(Frame Ultra-Light 80° ST42 left ext. Royal Blue)		1
26	1495532-9005	(Frame Ultra-Light 80° ST42 left ext. Black glossy)		1
26	1495532-9119	(Frame Ultra-Light 80° ST42 left ext. Black bronze)		1
27	1495526-0419	(Frame Ultra-Light 80° ST44 left ext. Silver Grey)		1
27	1495526-0424	(Frame Ultra-Light 80° ST44 left ext. Cyber Green)	01.07.2006 → 31.12.2009	1
27	1495526-0427	(Frame Ultra-Light 80° ST44 left ext. Mystic Purple)	01.07.2006 → 31.12.2009	1
27	1495526-0442	(Frame Ultra-Light 80° ST44 left ext. night shimmer)	01.01.2009 →	1
27	1495526-0443	(Frame Ultra-Light 80° ST44 left ext. pearly sapphire)	01.01.2007 → 31.12.2009	1
27	1495526-3524	(Frame Ultra-Light 80° ST44 left ext. Royal Red)		1
27	1495526-5969	(Frame Ultra-Light 80° ST44 left ext. Royal Blue)		1
27	1495526-9005	RAMME ULTRA-LIGHT 80G ST44 VENSTRE		1
27	1495526-9119	(Frame Ultra-Light 80° ST44 left ext. Black bronze)		1
28	1495520-0419	(Frame Ultra-Light 80° ST46 left ext. Silver Grey)		1

Küschall® Ultra-Light =>12/2009 | (CHASSIS)  
**(Front frames for bearing blocks)**

28	1495520-0424	(Frame Ultra-Light 80° ST46 left ext. Cyber Green)	01.07.2006 → 31.12.2009	1
28	1495520-0427	(Frame Ultra-Light 80° ST46 left ext. Mystic Purple)	01.07.2006 → 31.12.2009	1
28	1495520-0442	(Frame Ultra-Light 80° ST46 left ext. night shimmer)	01.01.2009 →	1
28	1495520-0443	(Frame Ultra-Light 80° ST46 left ext. pearly sapphire)	01.01.2007 → 31.12.2009	1
28	1495520-3524	(Frame Ultra-Light 80° ST46 left ext. Royal Red)		1
28	1495520-5969	(Frame Ultra-Light 80° ST46 left ext. Royal Blue)		1
28	1495520-9005	(Frame Ultra-Light 80° ST46 left ext. Black glossy)		1
28	1495520-9119	(Frame Ultra-Light 80° ST46 left ext. Black bronze)		1
29	1495514-0419	(Frame Ultra-Light 80° ST48 left ext. Silver Grey)		1
29	1495514-0424	(Frame Ultra-Light 80° ST48 left ext. Cyber Green)	01.07.2006 → 31.12.2009	1
29	1495514-0427	(Frame Ultra-Light 80° ST48 left ext. Mystic Purple)	01.07.2006 → 31.12.2009	1
29	1495514-0442	(Frame Ultra-Light 80° ST48 left ext. night shimmer)	01.01.2009 →	1
29	1495514-0443	(Frame Ultra-Light 80° ST48 left ext. pearly sapphire)	01.01.2007 → 31.12.2009	1
29	1495514-3524	(Frame Ultra-Light 80° ST48 left ext. Royal Red)		1
29	1495514-5969	(Frame Ultra-Light 80° ST48 left ext. Royal Blue)		1
29	1495514-9005	(Frame Ultra-Light 80° ST48 left ext. Black glossy)		1
29	1495514-9119	(Frame Ultra-Light 80° ST48 left ext. Black bronze)		1
30	1495508-0419	(Frame Ultra-Light 80° ST50 left ext. Silver Grey)		1
30	1495508-0424	(Frame Ultra-Light 80° ST50 left ext. Cyber Green)	01.07.2006 → 31.12.2009	1
30	1495508-0427	(Frame Ultra-Light 80° ST50 left ext. Mystic Purple)	01.07.2006 → 31.12.2009	1
30	1495508-0442	(Frame Ultra-Light 80° ST50 left ext. night shimmer)	01.01.2009 →	1
30	1495508-0443	(Frame Ultra-Light 80° ST50 left ext. pearly sapphire)	01.01.2007 → 31.12.2009	1
30	1495508-3524	(Frame Ultra-Light 80° ST50 left ext. Royal Red)		1
30	1495508-5969	(Frame Ultra-Light 80° ST50 left ext. Royal Blue)		1
30	1495508-9005	(Frame Ultra-Light 80° ST50 left ext. Black glossy)		1
30	1495508-9119	(Frame Ultra-Light 80° ST50 left ext. Black bronze)		1
31	1495559-0419	(Frame Ultra-Light 80° ST32 right ext. Silver Grey)		1
31	1495559-0424	(Frame Ultra-Light 80° ST32 right ext. Cyber Green)	01.07.2006 → 31.12.2009	1
31	1495559-0427	(Frame Ultra-Light 80° ST32 right ext. Mystic Purple)	01.07.2006 → 31.12.2009	1
31	1495559-0442	(Frame Ultra-Light 80° ST32 right ext. night shimmer)	01.01.2009 →	1
31	1495559-0443	(Frame Ultra-Light 80° ST32 right ext. pearly sapphire)	01.01.2007 → 31.12.2009	1
31	1495559-3524	(Frame Ultra-Light 80° ST32 right ext. Royal Red)		1
31	1495559-5969	(Frame Ultra-Light 80° ST32 right ext. Royal Blue)		1
31	1495559-9005	(Frame Ultra-Light 80° ST32 right ext. Black glossy)		1
31	1495559-9119	(Frame Ultra-Light 80° ST32 right ext. Black bronze)		1
32	1495553-0419	(Frame Ultra-Light 80° ST34 right ext. Silver Grey)		1
32	1495553-0424	(Frame Ultra-Light 80° ST34 right ext. Cyber Green)	01.07.2006 → 31.12.2009	1
32	1495553-0427	(Frame Ultra-Light 80° ST34 right ext. Mystic Purple)	01.07.2006 → 31.12.2009	1
32	1495553-0442	(Frame Ultra-Light 80° ST34 right ext. night shimmer)	01.01.2009 →	1
32	1495553-0443	(Frame Ultra-Light 80° ST34 right ext. pearly sapphire)	01.01.2007 → 31.12.2009	1
32	1495553-3524	(Frame Ultra-Light 80° ST34 right ext. Royal Red)		1
32	1495553-5969	(Frame Ultra-Light 80° ST34 right ext. Royal Blue)		1
32	1495553-9005	(Frame Ultra-Light 80° ST34 right ext. Black glossy)		1
32	1495553-9119	(Frame Ultra-Light 80° ST34 right ext. Black bronze)		1

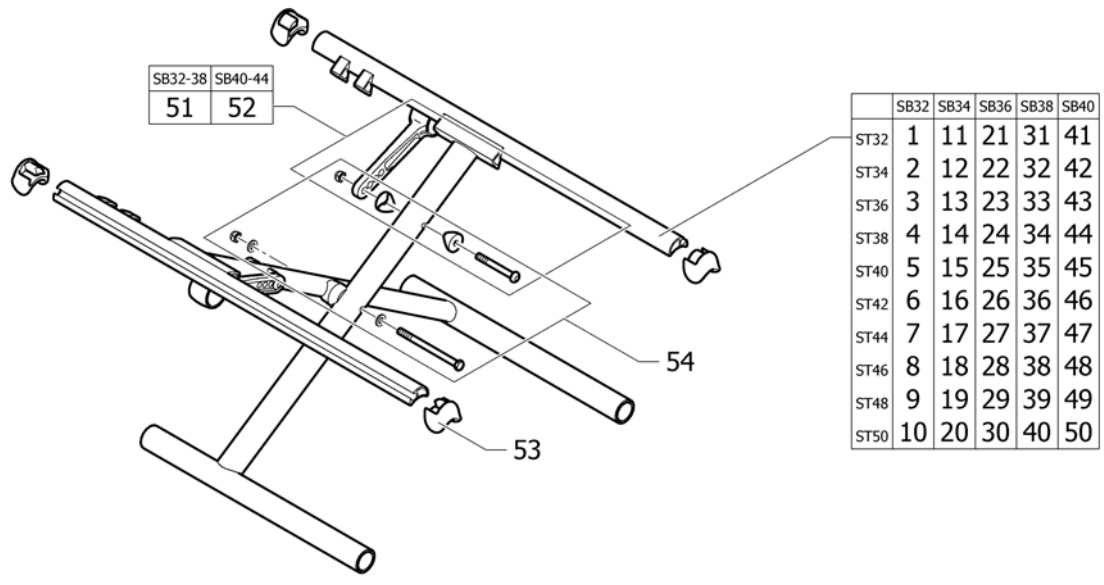
**(Front frames for bearing blocks)**

33	1495547-0419	(Frame Ultra-Light 80° ST36 right ext. Silver Grey)		1
33	1495547-0424	(Frame Ultra-Light 80° ST36 right ext. Cyber Green)	01.07.2006 → 31.12.2009	1
33	1495547-0427	(Frame Ultra-Light 80° ST36 right ext. Mystic Purple)	01.07.2006 → 31.12.2009	1
33	1495547-0442	(Frame Ultra-Light 80° ST36 right ext. night shimmer)	01.01.2009 →	1
33	1495547-0443	(Frame Ultra-Light 80° ST36 right ext. pearly sapphire)	01.01.2007 → 31.12.2009	1
33	1495547-3524	(Frame Ultra-Light 80° ST36 right ext. Royal Red)		1
33	1495547-5969	(Frame Ultra-Light 80° ST36 right ext. Royal Blue)		1
33	1495547-9005	(Frame Ultra-Light 80° ST36 right ext. Black glossy)		1
33	1495547-9119	(Frame Ultra-Light 80° ST36 right ext. Black bronze)		1
34	1495541-0419	(Frame Ultra-Light 80° ST38 right ext. Silver Grey)		1
34	1495541-0424	(Frame Ultra-Light 80° ST38 right ext. Cyber Green)	01.07.2006 → 31.12.2009	1
34	1495541-0427	(Frame Ultra-Light 80° ST38 right ext. Mystic Purple)	01.07.2006 → 31.12.2009	1
34	1495541-0442	(Frame Ultra-Light 80° ST38 right ext. night shimmer)	01.01.2009 →	1
34	1495541-0443	(Frame Ultra-Light 80° ST38 right ext. pearly sapphire)	01.01.2007 → 31.12.2009	1
34	1495541-3524	(Frame Ultra-Light 80° ST38 right ext. Royal Red)		1
34	1495541-5969	(Frame Ultra-Light 80° ST38 right ext. Royal Blue)		1
34	1495541-9005	(Frame Ultra-Light 80° ST38 right ext. Black glossy)		1
34	1495541-9119	(Frame Ultra-Light 80° ST38 right ext. Black bronze)		1
35	1495535-0419	(Frame Ultra-Light 80° ST40 right ext. Silver Grey)		1
35	1495535-0424	(Frame Ultra-Light 80° ST40 right ext. Cyber Green)	01.07.2006 → 31.12.2009	1
35	1495535-0427	(Frame Ultra-Light 80° ST40 right ext. Mystic Purple)	01.07.2006 → 31.12.2009	1
35	1495535-0442	(Frame Ultra-Light 80° ST40 right ext. night shimmer)	01.01.2009 →	1
35	1495535-0443	(Frame Ultra-Light 80° ST40 right ext. pearly sapphire)	01.01.2007 → 31.12.2009	1
35	1495535-3524	(Frame Ultra-Light 80° ST40 right ext. Royal Red)		1
35	1495535-5969	(Frame Ultra-Light 80° ST40 right ext. Royal Blue)		1
35	1495535-9005	RAMMEFRONT UL 80GRADER HØ 2006->		1
35	1495535-9119	(Frame Ultra-Light 80° ST40 right ext. Black bronze)		1
36	1495529-0419	(Frame Ultra-Light 80° ST42 right ext. Silver Grey)		1
36	1495529-0424	(Frame Ultra-Light 80° ST42 right ext. Cyber Green)	01.07.2006 → 31.12.2009	1
36	1495529-0427	(Frame Ultra-Light 80° ST42 right ext. Mystic Purple)	01.07.2006 → 31.12.2009	1
36	1495529-0442	(Frame Ultra-Light 80° ST42 right ext. night shimmer)	01.01.2009 →	1
36	1495529-0443	(Frame Ultra-Light 80° ST42 right ext. pearly sapphire)	01.01.2007 → 31.12.2009	1
36	1495529-3524	(Frame Ultra-Light 80° ST42 right ext. Royal Red)		1
36	1495529-5969	(Frame Ultra-Light 80° ST42 right ext. Royal Blue)		1
36	1495529-9005	(Frame Ultra-Light 80° ST42 right ext. Black glossy)		1
36	1495529-9119	(Frame Ultra-Light 80° ST42 right ext. Black bronze)		1
37	1495523-0419	(Frame Ultra-Light 80° ST44 right ext. Silver Grey)		1
37	1495523-0424	(Frame Ultra-Light 80° ST44 right ext. Cyber Green)	01.07.2006 → 31.12.2009	1
37	1495523-0427	(Frame Ultra-Light 80° ST44 right ext. Mystic Purple)	01.07.2006 → 31.12.2009	1
37	1495523-0442	(Frame Ultra-Light 80° ST44 right ext. night shimmer)	01.01.2009 →	1
37	1495523-0443	(Frame Ultra-Light 80° ST44 right ext. pearly sapphire)	01.01.2007 → 31.12.2009	1
37	1495523-3524	(Frame Ultra-Light 80° ST44 right ext. Royal Red)		1
37	1495523-5969	(Frame Ultra-Light 80° ST44 right ext. Royal Blue)		1
37	1495523-9005	RAMME ULTRA-LIGHT 80G ST44 HØYRE		1

Küschall® Ultra-Light =>12/2009 | (CHASSIS)  
**(Front frames for bearing blocks)**

37	1495523-9119	(Frame Ultra-Light 80° ST44 right ext. Black bronze)		1
38	1495517-0419	(Frame Ultra-Light 80° ST46 right ext. Silver Grey)		1
38	1495517-0424	(Frame Ultra-Light 80° ST46 right ext. Cyber Green)	01.07.2006 → 31.12.2009	1
38	1495517-0427	(Frame Ultra-Light 80° ST46 right ext. Mystic Purple)	01.07.2006 → 31.12.2009	1
38	1495517-0442	(Frame Ultra-Light 80° ST46 right ext. night shimmer)	01.01.2009 →	1
38	1495517-0443	(Frame Ultra-Light 80° ST46 right ext. pearly sapphire)	01.01.2007 → 31.12.2009	1
38	1495517-3524	(Frame Ultra-Light 80° ST46 right ext. Royal Red)		1
38	1495517-5969	(Frame Ultra-Light 80° ST46 right ext. Royal Blue)		1
38	1495517-9005	(Frame Ultra-Light 80° ST46 right ext. Black glossy)		1
38	1495517-9119	(Frame Ultra-Light 80° ST46 right ext. Black bronze)		1
39	1495511-0419	(Frame Ultra-Light 80° ST48 right ext. Silver Grey)		1
39	1495511-0424	(Frame Ultra-Light 80° ST48 right ext. Cyber Green)	01.07.2006 → 31.12.2009	1
39	1495511-0427	(Frame Ultra-Light 80° ST48 right ext. Mystic Purple)	01.07.2006 → 31.12.2009	1
39	1495511-0442	(Frame Ultra-Light 80° ST48 right ext. night shimmer)	01.01.2009 →	1
39	1495511-0443	(Frame Ultra-Light 80° ST48 right ext. pearly sapphire)	01.01.2007 → 31.12.2009	1
39	1495511-3524	(Frame Ultra-Light 80° ST48 right ext. Royal Red)		1
39	1495511-5969	(Frame Ultra-Light 80° ST48 right ext. Royal Blue)		1
39	1495511-9005	(Frame Ultra-Light 80° ST48 right ext. Black glossy)		1
39	1495511-9119	(Frame Ultra-Light 80° ST48 right ext. Black bronze)		1
40	1495505-0419	(Frame Ultra-Light 80° ST50 right ext. Silver Grey)		1
40	1495505-0424	(Frame Ultra-Light 80° ST50 right ext. Cyber Green)	01.07.2006 → 31.12.2009	1
40	1495505-0427	(Frame Ultra-Light 80° ST50 right ext. Mystic Purple)	01.07.2006 → 31.12.2009	1
40	1495505-0442	(Frame Ultra-Light 80° ST50 right ext. night shimmer)	01.01.2009 →	1
40	1495505-0443	(Frame Ultra-Light 80° ST50 right ext. pearly sapphire)	01.01.2007 → 31.12.2009	1
40	1495505-3524	(Frame Ultra-Light 80° ST50 right ext. Royal Red)		1
40	1495505-5969	(Frame Ultra-Light 80° ST50 right ext. Royal Blue)		1
40	1495505-9005	(Frame Ultra-Light 80° ST50 right ext. Black glossy)		1
40	1495505-9119	(Frame Ultra-Light 80° ST50 right ext. Black bronze)		1
41	1495571	FIKSERINGS KIT FOR GAFFEL ULTRA-LIGHT		1
42	1509133	(Longitudinal locking kit, pair)	01.06.2007 →	1

**(Cross brace to frame 70°, SB32-40)**



1	1437843-0419	(Cross-brace single Compact, UltraLight 70° SB32 ST32, silver grey)		1
1	1437843-0424	(Cross-brace single Compact, UltraLight 70° SB32 ST32, cyber green)	01.01.2004 → 31.12.2009	1
1	1437843-0427	(Cross-brace single Compact, UltraLight 70° SB32 ST32, mystic purple)	01.01.2004 → 31.12.2009	1
1	1437843-0442	(Cross-brace single Compact, UltraLight 70° SB32 ST32, night shimmer)	01.01.2009 →	1
1	1437843-0443	(Cross-brace single Compact, UltraLight 70° SB32 ST32, pearly sapphire)	01.01.2004 → 31.12.2009	1
1	1437843-3524	KRYSS SB 32 SD 32 COMPACT, UL ROYAL RED		1
1	1437843-5969	(Cross-brace single Compact, UltraLight 70° SB32 ST32, royal blue)		1
1	1437843-9005	(Cross-brace single Compact, UltraLight 70° SB32 ST32, black, glossy)		1
1	1437843-9119	(Cross-brace single Compact, UltraLight 70° SB32 ST32, black, bronze)		1
2	1437844-0419	(Cross-brace single Compact, UltraLight 70° SB32 ST34, silver grey)		1
2	1437844-0424	(Cross-brace single Compact, UltraLight 70° SB32 ST34, cyber green)	01.01.2004 → 31.12.2009	1
2	1437844-0427	(Cross-brace single Compact, UltraLight 70° SB32 ST34, mystic purple)	01.01.2004 → 31.12.2009	1
2	1437844-0442	(Cross-brace single Compact, UltraLight 70° SB32 ST34, night shimmer)	01.01.2009 →	1
2	1437844-0443	(Cross-brace single Compact, UltraLight 70° SB32 ST34, pearly sapphire)	01.01.2004 → 31.12.2009	1
2	1437844-3524	(Cross-brace single Compact, UltraLight 70° SB32 ST34, royal red)		1
2	1437844-5969	(Cross-brace single Compact, UltraLight 70° SB32 ST34, royal blue)		1
2	1437844-9005	(Cross-brace single Compact, UltraLight 70° SB32 ST34, black, glossy)		1
2	1437844-9119	(Cross-brace single Compact, UltraLight 70° SB32 ST34, black, bronze)		1
3	1437845-0419	(Cross-brace single Compact, UltraLight 70° SB32 ST36, silver grey)		1
3	1437845-0424	(Cross-brace single Compact, UltraLight 70° SB32 ST36, cyber green)	01.01.2004 → 31.12.2009	1
3	1437845-0427	KRYSS SB 32 SD 32 COMPACT, UL MYSTIC PURPL	01.01.2004 → 31.12.2009	1
3	1437845-0442	(Cross-brace single Compact, UltraLight 70° SB32 ST36, night shimmer)	01.01.2009 →	1
3	1437845-0443	(Cross-brace single Compact, UltraLight 70° SB32 ST36, pearly sapphire)	01.01.2004 → 31.12.2009	1
3	1437845-3524	(Cross-brace single Compact, UltraLight 70° SB32 ST36, royal red)		1

**(Cross brace to frame 70°, SB32-40)**

3	1437845-5969	(Cross-brace single Compact, UltraLight 70° SB32 ST36, royal blue)		1
3	1437845-9005	(Cross-brace single Compact, UltraLight 70° SB32 ST36, black, glossy)		1
3	1437845-9119	(Cross-brace single Compact, UltraLight 70° SB32 ST36, black, bronze)		1
4	1437846-0419	(Cross-brace single Compact, UltraLight 70° SB32 ST38, silver grey)		1
4	1437846-0424	(Cross-brace single Compact, UltraLight 70° SB32 ST38, cyber green)	01.01.2004 → 31.12.2009	1
4	1437846-0427	(Cross-brace single Compact, UltraLight 70° SB32 ST38, mystic purple)	01.01.2004 → 31.12.2009	1
4	1437846-0442	(Cross-brace single Compact, UltraLight 70° SB32 ST38, night shimmer)	01.01.2009 →	1
4	1437846-0443	(Cross-brace single Compact, UltraLight 70° SB32 ST38, pearly sapphire)	01.01.2004 → 31.12.2009	1
4	1437846-3524	(Cross-brace single Compact, UltraLight 70° SB32 ST38, royal red)		1
4	1437846-5969	(Cross-brace single Compact, UltraLight 70° SB32 ST38, royal blue)		1
4	1437846-9005	(Cross-brace single Compact, UltraLight 70° SB32 ST38, black, glossy)		1
4	1437846-9119	(Cross-brace single Compact, UltraLight 70° SB32 ST38, black, bronze)		1
5	1437847-0419	(Cross-brace single Compact, UltraLight 70° SB32 ST40, silver grey)		1
5	1437847-0424	(Cross-brace single Compact, UltraLight 70° SB32 ST40, cyber green)	01.01.2004 → 31.12.2009	1
5	1437847-0427	(Cross-brace single Compact, UltraLight 70° SB32 ST40, mystic purple)	01.01.2004 → 31.12.2009	1
5	1437847-0442	(Cross-brace single Compact, UltraLight 70° SB32 ST40, night shimmer)	01.01.2009 →	1
5	1437847-0443	(Cross-brace single Compact, UltraLight 70° SB32 ST40, pearly sapphire)	01.01.2004 → 31.12.2009	1
5	1437847-3524	(Cross-brace single Compact, UltraLight 70° SB32 ST40, royal red)		1
5	1437847-5969	(Cross-brace single Compact, UltraLight 70° SB32 ST40, royal blue)		1
5	1437847-9005	(Cross-brace single Compact, UltraLight 70° SB32 ST40, black, glossy)		1
5	1437847-9119	(Cross-brace single Compact, UltraLight 70° SB32 ST40, black, bronze)		1
6	1437848-0419	(Cross-brace single Compact, UltraLight 70° SB32 ST42, silver grey)		1
6	1437848-0424	(Cross-brace single Compact, UltraLight 70° SB32 ST42, cyber green)	01.01.2004 → 31.12.2009	1
6	1437848-0427	(Cross-brace single Compact, UltraLight 70° SB32 ST42, mystic purple)	01.01.2004 → 31.12.2009	1
6	1437848-0442	(Cross-brace single Compact, UltraLight 70° SB32 ST42, night shimmer)	01.01.2009 →	1
6	1437848-0443	(Cross-brace single Compact, UltraLight 70° SB32 ST42, pearly sapphire)	01.01.2004 → 31.12.2009	1
6	1437848-3524	(Cross-brace single Compact, UltraLight 70° SB32 ST42, royal red)		1
6	1437848-5969	(Cross-brace single Compact, UltraLight 70° SB32 ST42, royal blue)		1
6	1437848-9005	(Cross-brace single Compact, UltraLight 70° SB32 ST42, black, glossy)		1
6	1437848-9119	(Cross-brace single Compact, UltraLight 70° SB32 ST42, black, bronze)		1
7	1437849-0419	(Cross-brace single Compact, UltraLight 70° SB32 ST44, silver grey)		1
7	1437849-0424	(Cross-brace single Compact, UltraLight 70° SB32 ST44, cyber green)	01.01.2004 → 31.12.2009	1
7	1437849-0427	(Cross-brace single Compact, UltraLight 70° SB32 ST44, mystic purple)	01.01.2004 → 31.12.2009	1
7	1437849-0442	(Cross-brace single Compact, UltraLight 70° SB32 ST44, night shimmer)	01.01.2009 →	1
7	1437849-0443	(Cross-brace single Compact, UltraLight 70° SB32 ST44, pearly sapphire)	01.01.2004 → 31.12.2009	1
7	1437849-3524	(Cross-brace single Compact, UltraLight 70° SB32 ST44, royal red)		1
7	1437849-5969	(Cross-brace single Compact, UltraLight 70° SB32 ST44, royal blue)		1
7	1437849-9005	(Cross-brace single Compact, UltraLight 70° SB32 ST44, black, glossy)		1
7	1437849-9119	(Cross-brace single Compact, UltraLight 70° SB32 ST44, black, bronze)		1
8	1437850-0419	(Cross-brace single Compact, UltraLight 70° SB32 ST46, silver grey)		1
8	1437850-0424	(Cross-brace single Compact, UltraLight 70° SB32 ST46, cyber green)	01.01.2004 → 31.12.2009	1
8	1437850-0427	(Cross-brace single Compact, UltraLight 70° SB32 ST46, mystic purple)	01.01.2004 → 31.12.2009	1
8	1437850-0442	(Cross-brace single Compact, UltraLight 70° SB32 ST46, night shimmer)	01.01.2009 →	1
8	1437850-0443	(Cross-brace single Compact, UltraLight 70° SB32 ST46, pearly sapphire)	01.01.2004 → 31.12.2009	1

**(Cross brace to frame 70°, SB32-40)**

8	1437850-3524	(Cross-brace single Compact, UltraLight 70° SB32 ST46, royal red)		1
8	1437850-5969	(Cross-brace single Compact, UltraLight 70° SB32 ST46, royal blue)		1
8	1437850-9005	(Cross-brace single Compact, UltraLight 70° SB32 ST46, black, glossy)		1
8	1437850-9119	(Cross-brace single Compact, UltraLight 70° SB32 ST46, black, bronze)		1
9	1437851-0419	(Cross-brace single Compact, UltraLight 70° SB32 ST48, silver grey)		1
9	1437851-0424	(Cross-brace single Compact, UltraLight 70° SB32 ST48, cyber green)	01.01.2004 → 31.12.2009	1
9	1437851-0427	(Cross-brace single Compact, UltraLight 70° SB32 ST48, mystic purple)	01.01.2004 → 31.12.2009	1
9	1437851-0442	(Cross-brace single Compact, UltraLight 70° SB32 ST48, night shimmer)	01.01.2009 →	1
9	1437851-0443	(Cross-brace single Compact, UltraLight 70° SB32 ST48, pearly sapphire)	01.01.2004 → 31.12.2009	1
9	1437851-3524	(Cross-brace single Compact, UltraLight 70° SB32 ST48, royal red)		1
9	1437851-5969	(Cross-brace single Compact, UltraLight 70° SB32 ST48, royal blue)		1
9	1437851-9005	(Cross-brace single Compact, UltraLight 70° SB32 ST48, black, glossy)		1
9	1437851-9119	(Cross-brace single Compact, UltraLight 70° SB32 ST48, black, bronze)		1
10	1437852-0419	(Cross-brace single Compact, UltraLight 70° SB32 ST50, silver grey)		1
10	1437852-0424	(Cross-brace single Compact, UltraLight 70° SB32 ST50, cyber green)	01.01.2004 → 31.12.2009	1
10	1437852-0427	(Cross-brace single Compact, UltraLight 70° SB32 ST50, mystic purple)	01.01.2004 → 31.12.2009	1
10	1437852-0442	(Cross-brace single Compact, UltraLight 70° SB32 ST50, night shimmer)	01.01.2009 →	1
10	1437852-0443	(Cross-brace single Compact, UltraLight 70° SB32 ST50, pearly sapphire)	01.01.2004 → 31.12.2009	1
10	1437852-3524	(Cross-brace single Compact, UltraLight 70° SB32 ST50, royal red)		1
10	1437852-5969	(Cross-brace single Compact, UltraLight 70° SB32 ST50, royal blue)		1
10	1437852-9005	(Cross-brace single Compact, UltraLight 70° SB32 ST50, black, glossy)		1
10	1437852-9119	(Cross-brace single Compact, UltraLight 70° SB32 ST50, black, bronze)		1
11	1437853-0419	(Cross-brace single Compact, UltraLight 70° SB34 ST32, silver grey)		1
11	1437853-0424	(Cross-brace single Compact, UltraLight 70° SB34 ST32, cyber green)	01.01.2004 → 31.12.2009	1
11	1437853-0427	(Cross-brace single Compact, UltraLight 70° SB34 ST32, mystic purple)	01.01.2004 → 31.12.2009	1
11	1437853-0442	(Cross-brace single Compact, UltraLight 70° SB34 ST32, night shimmer)	01.01.2009 →	1
11	1437853-0443	(Cross-brace single Compact, UltraLight 70° SB34 ST32, pearly sapphire)	01.01.2004 → 31.12.2009	1
11	1437853-3524	(Cross-brace single Compact, UltraLight 70° SB34 ST32, royal red)		1
11	1437853-5969	(Cross-brace single Compact, UltraLight 70° SB34 ST32, royal blue)		1
11	1437853-9005	(Cross-brace single Compact, UltraLight 70° SB34 ST32, black, glossy)		1
11	1437853-9119	(Cross-brace single Compact, UltraLight 70° SB34 ST32, black, bronze)		1
12	1437854-0419	(Cross-brace single Compact, UltraLight 70° SB34 ST34, silver grey)		1
12	1437854-0424	(Cross-brace single Compact, UltraLight 70° SB34 ST34, cyber green)	01.01.2004 → 31.12.2009	1
12	1437854-0427	(Cross-brace single Compact, UltraLight 70° SB34 ST34, mystic purple)	01.01.2004 → 31.12.2009	1
12	1437854-0442	(Cross-brace single Compact, UltraLight 70° SB34 ST34, night shimmer)	01.01.2009 →	1
12	1437854-0443	(Cross-brace single Compact, UltraLight 70° SB34 ST34, pearly sapphire)	01.01.2004 → 31.12.2009	1
12	1437854-3524	(Cross-brace single Compact, UltraLight 70° SB34 ST34, royal red)		1
12	1437854-5969	(Cross-brace single Compact, UltraLight 70° SB34 ST34, royal blue)		1
12	1437854-9005	(Cross-brace single Compact, UltraLight 70° SB34 ST34, black, glossy)		1
12	1437854-9119	(Cross-brace single Compact, UltraLight 70° SB34 ST34, black, bronze)		1
13	1437855-0419	(Cross-brace single Compact, UltraLight 70° SB34 ST36, silver grey)		1
13	1437855-0424	(Cross-brace single Compact, UltraLight 70° SB34 ST36, cyber green)	01.01.2004 → 31.12.2009	1
13	1437855-0427	(Cross-brace single Compact, UltraLight 70° SB34 ST36, mystic purple)	01.01.2004 → 31.12.2009	1
13	1437855-0442	(Cross-brace single Compact, UltraLight 70° SB34 ST36, night shimmer)	01.01.2009 →	1



**(Cross brace to frame 70°, SB32-40)**

13	1437855-0443	(Cross-brace single Compact, UltraLight 70° SB34 ST36, pearly sapphire)	01.01.2004 → 31.12.2009	1
13	1437855-3524	(Cross-brace single Compact, UltraLight 70° SB34 ST36, royal red)		1
13	1437855-5969	(Cross-brace single Compact, UltraLight 70° SB34 ST36, royal blue)		1
13	1437855-9005	(Cross-brace single Compact, UltraLight 70° SB34 ST36, black, glossy)		1
13	1437855-9119	(Cross-brace single Compact, UltraLight 70° SB34 ST36, black, bronze)		1
14	1437856-0419	(Cross-brace single Compact, UltraLight 70° SB34 ST38, silver grey)		1
14	1437856-0424	(Cross-brace single Compact, UltraLight 70° SB34 ST38, cyber green)	01.01.2004 → 31.12.2009	1
14	1437856-0427	(Cross-brace single Compact, UltraLight 70° SB34 ST38, mystic purple)	01.01.2004 → 31.12.2009	1
14	1437856-0442	(Cross-brace single Compact, UltraLight 70° SB34 ST38, night shimmer)	01.01.2009 →	1
14	1437856-0443	(Cross-brace single Compact, UltraLight 70° SB34 ST38, pearly sapphire)	01.01.2004 → 31.12.2009	1
14	1437856-3524	(Cross-brace single Compact, UltraLight 70° SB34 ST38, royal red)		1
14	1437856-5969	(Cross-brace single Compact, UltraLight 70° SB34 ST38, royal blue)		1
14	1437856-9005	(Cross-brace single Compact, UltraLight 70° SB34 ST38, black, glossy)		1
14	1437856-9119	(Cross-brace single Compact, UltraLight 70° SB34 ST38, black, bronze)		1
15	1437857-0419	(Cross-brace single Compact, UltraLight 70° SB34 ST40, silver grey)		1
15	1437857-0424	(Cross-brace single Compact, UltraLight 70° SB34 ST40, cyber green)	01.01.2004 → 31.12.2009	1
15	1437857-0427	(Cross-brace single Compact, UltraLight 70° SB34 ST40, mystic purple)	01.01.2004 → 31.12.2009	1
15	1437857-0442	(Cross-brace single Compact, UltraLight 70° SB34 ST40, night shimmer)	01.01.2009 →	1
15	1437857-0443	(Cross-brace single Compact, UltraLight 70° SB34 ST40, pearly sapphire)	01.01.2004 → 31.12.2009	1
15	1437857-3524	(Cross-brace single Compact, UltraLight 70° SB34 ST40, royal red)		1
15	1437857-5969	(Cross-brace single Compact, UltraLight 70° SB34 ST40, royal blue)		1
15	1437857-9005	(Cross-brace single Compact, UltraLight 70° SB34 ST40, black, glossy)		1
15	1437857-9119	(Cross-brace single Compact, UltraLight 70° SB34 ST40, black, bronze)		1
16	1437858-0419	(Cross-brace single Compact, UltraLight 70° SB34 ST42, silver grey)		1
16	1437858-0424	(Cross-brace single Compact, UltraLight 70° SB34 ST42, cyber green)	01.01.2004 → 31.12.2009	1
16	1437858-0427	(Cross-brace single Compact, UltraLight 70° SB34 ST42, mystic purple)	01.01.2004 → 31.12.2009	1
16	1437858-0442	(Cross-brace single Compact, UltraLight 70° SB34 ST42, night shimmer)	01.01.2009 →	1
16	1437858-0443	(Cross-brace single Compact, UltraLight 70° SB34 ST42, pearly sapphire)	01.01.2004 → 31.12.2009	1
16	1437858-3524	(Cross-brace single Compact, UltraLight 70° SB34 ST42, royal red)		1
16	1437858-5969	(Cross-brace single Compact, UltraLight 70° SB34 ST42, royal blue)		1
16	1437858-9005	(Cross-brace single Compact, UltraLight 70° SB34 ST42, black, glossy)		1
16	1437858-9119	(Cross-brace single Compact, UltraLight 70° SB34 ST42, black, bronze)		1
17	1437859-0419	(Cross-brace single Compact, UltraLight 70° SB34 ST44, silver grey)		1
17	1437859-0424	(Cross-brace single Compact, UltraLight 70° SB34 ST44, cyber green)	01.01.2004 → 31.12.2009	1
17	1437859-0427	(Cross-brace single Compact, UltraLight 70° SB34 ST44, mystic purple)	01.01.2004 → 31.12.2009	1
17	1437859-0442	(Cross-brace single Compact, UltraLight 70° SB34 ST44, night shimmer)	01.01.2009 →	1
17	1437859-0443	(Cross-brace single Compact, UltraLight 70° SB34 ST44, pearly sapphire)	01.01.2004 → 31.12.2009	1
17	1437859-3524	(Cross-brace single Compact, UltraLight 70° SB34 ST44, royal red)		1
17	1437859-5969	(Cross-brace single Compact, UltraLight 70° SB34 ST44, royal blue)		1
17	1437859-9005	(Cross-brace single Compact, UltraLight 70° SB34 ST44, black, glossy)		1
17	1437859-9119	(Cross-brace single Compact, UltraLight 70° SB34 ST44, black, bronze)		1
18	1437860-0419	(Cross-brace single Compact, UltraLight 70° SB34 ST46, silver grey)		1
18	1437860-0424	(Cross-brace single Compact, UltraLight 70° SB34 ST46, cyber green)	01.01.2004 → 31.12.2009	1
18	1437860-0427	(Cross-brace single Compact, UltraLight 70° SB34 ST46, mystic purple)	01.01.2004 → 31.12.2009	1

**(Cross brace to frame 70°, SB32-40)**

18	1437860-0442	(Cross-brace single Compact, UltraLight 70° SB34 ST46, night shimmer)	01.01.2009 →	1
18	1437860-0443	(Cross-brace single Compact, UltraLight 70° SB34 ST46, pearly sapphire)	01.01.2004 → 31.12.2009	1
18	1437860-3524	(Cross-brace single Compact, UltraLight 70° SB34 ST46, royal red)		1
18	1437860-5969	(Cross-brace single Compact, UltraLight 70° SB34 ST46, royal blue)		1
18	1437860-9005	(Cross-brace single Compact, UltraLight 70° SB34 ST46, black, glossy)		1
18	1437860-9119	(Cross-brace single Compact, UltraLight 70° SB34 ST46, black, bronze)		1
19	1437861-0419	(Cross-brace single Compact, UltraLight 70° SB34 ST48, silver grey)		1
19	1437861-0424	(Cross-brace single Compact, UltraLight 70° SB34 ST48, cyber green)	01.01.2004 → 31.12.2009	1
19	1437861-0427	(Cross-brace single Compact, UltraLight 70° SB34 ST48, mystic purple)	01.01.2004 → 31.12.2009	1
19	1437861-0442	(Cross-brace single Compact, UltraLight 70° SB34 ST48, night shimmer)	01.01.2009 →	1
19	1437861-0443	(Cross-brace single Compact, UltraLight 70° SB34 ST48, pearly sapphire)	01.01.2004 → 31.12.2009	1
19	1437861-3524	(Cross-brace single Compact, UltraLight 70° SB34 ST48, royal red)		1
19	1437861-5969	(Cross-brace single Compact, UltraLight 70° SB34 ST48, royal blue)		1
19	1437861-9005	(Cross-brace single Compact, UltraLight 70° SB34 ST48, black, glossy)		1
19	1437861-9119	(Cross-brace single Compact, UltraLight 70° SB34 ST48, black, bronze)		1
20	1437862-0419	(Cross-brace single Compact, UltraLight 70° SB34 ST50, silver grey)		1
20	1437862-0424	(Cross-brace single Compact, UltraLight 70° SB34 ST50, cyber green)	01.01.2004 → 31.12.2009	1
20	1437862-0427	(Cross-brace single Compact, UltraLight 70° SB34 ST50, mystic purple)	01.01.2004 → 31.12.2009	1
20	1437862-0442	(Cross-brace single Compact, UltraLight 70° SB34 ST50, night shimmer)	01.01.2009 →	1
20	1437862-0443	(Cross-brace single Compact, UltraLight 70° SB34 ST50, pearly sapphire)	01.01.2004 → 31.12.2009	1
20	1437862-3524	(Cross-brace single Compact, UltraLight 70° SB34 ST50, royal red)		1
20	1437862-5969	(Cross-brace single Compact, UltraLight 70° SB34 ST50, royal blue)		1
20	1437862-9005	(Cross-brace single Compact, UltraLight 70° SB34 ST50, black, glossy)		1
20	1437862-9119	(Cross-brace single Compact, UltraLight 70° SB34 ST50, black, bronze)		1
21	1437863-0419	(Cross-brace single Compact, UltraLight 70° SB36 ST32, silver grey)		1
21	1437863-0424	(Cross-brace single Compact, UltraLight 70° SB36 ST32, cyber green)	01.01.2004 → 31.12.2009	1
21	1437863-0427	(Cross-brace single Compact, UltraLight 70° SB36 ST32, mystic purple)	01.01.2004 → 31.12.2009	1
21	1437863-0442	(Cross-brace single Compact, UltraLight 70° SB36 ST32, night shimmer)	01.01.2009 →	1
21	1437863-0443	(Cross-brace single Compact, UltraLight 70° SB36 ST32, pearly sapphire)	01.01.2004 → 31.12.2009	1
21	1437863-3524	(Cross-brace single Compact, UltraLight 70° SB36 ST32, royal red)		1
21	1437863-5969	(Cross-brace single Compact, UltraLight 70° SB36 ST32, royal blue)		1
21	1437863-9005	(Cross-brace single Compact, UltraLight 70° SB36 ST32, black, glossy)		1
21	1437863-9119	(Cross-brace single Compact, UltraLight 70° SB36 ST32, black, bronze)		1
22	1437864-0419	(Cross-brace single Compact, UltraLight 70° SB36 ST34, silver grey)		1
22	1437864-0424	(Cross-brace single Compact, UltraLight 70° SB36 ST34, cyber green)	01.01.2004 → 31.12.2009	1
22	1437864-0427	(Cross-brace single Compact, UltraLight 70° SB36 ST34, mystic purple)	01.01.2004 → 31.12.2009	1
22	1437864-0442	(Cross-brace single Compact, UltraLight 70° SB36 ST34, night shimmer)	01.01.2009 →	1
22	1437864-0443	(Cross-brace single Compact, UltraLight 70° SB36 ST34, pearly sapphire)	01.01.2004 → 31.12.2009	1
22	1437864-3524	(Cross-brace single Compact, UltraLight 70° SB36 ST34, royal red)		1
22	1437864-5969	(Cross-brace single Compact, UltraLight 70° SB36 ST34, royal blue)		1
22	1437864-9005	(Cross-brace single Compact, UltraLight 70° SB36 ST34, black, glossy)		1
22	1437864-9119	(Cross-brace single Compact, UltraLight 70° SB36 ST34, black, bronze)		1
23	1437865-0419	(Cross-brace single Compact, UltraLight 70° SB36 ST36, silver grey)		1
23	1437865-0424	(Cross-brace single Compact, UltraLight 70° SB36 ST36, cyber green)	01.01.2004 → 31.12.2009	1

**(Cross brace to frame 70°, SB32-40)**

23	1437865-0427	(Cross-brace single Compact, UltraLight 70° SB36 ST36, mystic purple)	01.01.2004 → 31.12.2009	1
23	1437865-0442	(Cross-brace single Compact, UltraLight 70° SB36 ST36, night shimmer)	01.01.2009 →	1
23	1437865-0443	(Cross-brace single Compact, UltraLight 70° SB36 ST36, pearly sapphire)	01.01.2004 → 31.12.2009	1
23	1437865-3524	(Cross-brace single Compact, UltraLight 70° SB36 ST36, royal red)		1
23	1437865-5969	(Cross-brace single Compact, UltraLight 70° SB36 ST36, royal blue)		1
23	1437865-9005	(Cross-brace single Compact, UltraLight 70° SB36 ST36, black, glossy)		1
23	1437865-9119	(Cross-brace single Compact, UltraLight 70° SB36 ST36, black, bronze)		1
24	1437866-0419	(Cross-brace single Compact, UltraLight 70° SB36 ST38, silver grey)		1
24	1437866-0424	(Cross-brace single Compact, UltraLight 70° SB36 ST38, cyber green)	01.01.2004 → 31.12.2009	1
24	1437866-0427	(Cross-brace single Compact, UltraLight 70° SB36 ST38, mystic purple)	01.01.2004 → 31.12.2009	1
24	1437866-0442	(Cross-brace single Compact, UltraLight 70° SB36 ST38, night shimmer)	01.01.2009 →	1
24	1437866-0443	(Cross-brace single Compact, UltraLight 70° SB36 ST38, pearly sapphire)	01.01.2004 → 31.12.2009	1
24	1437866-3524	(Cross-brace single Compact, UltraLight 70° SB36 ST38, royal red)		1
24	1437866-5969	(Cross-brace single Compact, UltraLight 70° SB36 ST38, royal blue)		1
24	1437866-9005	(Cross-brace single Compact, UltraLight 70° SB36 ST38, black, glossy)		1
24	1437866-9119	(Cross-brace single Compact, UltraLight 70° SB36 ST38, black, bronze)		1
25	1437867-0419	(Cross-brace single Compact, UltraLight 70° SB36 ST40, silver grey)		1
25	1437867-0424	(Cross-brace single Compact, UltraLight 70° SB36 ST40, cyber green)	01.01.2004 → 31.12.2009	1
25	1437867-0427	(Cross-brace single Compact, UltraLight 70° SB36 ST40, mystic purple)	01.01.2004 → 31.12.2009	1
25	1437867-0442	(Cross-brace single Compact, UltraLight 70° SB36 ST40, night shimmer)	01.01.2009 →	1
25	1437867-0443	(Cross-brace single Compact, UltraLight 70° SB36 ST40, pearly sapphire)	01.01.2004 → 31.12.2009	1
25	1437867-3524	(Cross-brace single Compact, UltraLight 70° SB36 ST40, royal red)		1
25	1437867-5969	(Cross-brace single Compact, UltraLight 70° SB36 ST40, royal blue)		1
25	1437867-9005	(Cross-brace single Compact, UltraLight 70° SB36 ST40, black, glossy)		1
25	1437867-9119	(Cross-brace single Compact, UltraLight 70° SB36 ST40, black, bronze)		1
26	1437868-0419	(Cross-brace single Compact, UltraLight 70° SB36 ST42, silver grey)		1
26	1437868-0424	(Cross-brace single Compact, UltraLight 70° SB36 ST42, cyber green)	01.01.2004 → 31.12.2009	1
26	1437868-0427	(Cross-brace single Compact, UltraLight 70° SB36 ST42, mystic purple)	01.01.2004 → 31.12.2009	1
26	1437868-0442	(Cross-brace single Compact, UltraLight 70° SB36 ST42, night shimmer)	01.01.2009 →	1
26	1437868-0443	(Cross-brace single Compact, UltraLight 70° SB36 ST42, pearly sapphire)	01.01.2004 → 31.12.2009	1
26	1437868-3524	(Cross-brace single Compact, UltraLight 70° SB36 ST42, royal red)		1
26	1437868-5969	(Cross-brace single Compact, UltraLight 70° SB36 ST42, royal blue)		1
26	1437868-9005	(Cross-brace single Compact, UltraLight 70° SB36 ST42, black, glossy)		1
26	1437868-9119	(Cross-brace single Compact, UltraLight 70° SB36 ST42, black, bronze)		1
27	1437869-0419	(Cross-brace single Compact, UltraLight 70° SB36 ST44, silver grey)		1
27	1437869-0424	(Cross-brace single Compact, UltraLight 70° SB36 ST44, cyber green)	01.01.2004 → 31.12.2009	1
27	1437869-0427	(Cross-brace single Compact, UltraLight 70° SB36 ST44, mystic purple)	01.01.2004 → 31.12.2009	1
27	1437869-0442	(Cross-brace single Compact, UltraLight 70° SB36 ST44, night shimmer)	01.01.2009 →	1
27	1437869-0443	(Cross-brace single Compact, UltraLight 70° SB36 ST44, pearly sapphire)	01.01.2004 → 31.12.2009	1
27	1437869-3524	(Cross-brace single Compact, UltraLight 70° SB36 ST44, royal red)		1
27	1437869-5969	(Cross-brace single Compact, UltraLight 70° SB36 ST44, royal blue)		1
27	1437869-9005	(Cross-brace single Compact, UltraLight 70° SB36 ST44, black, glossy)		1
27	1437869-9119	(Cross-brace single Compact, UltraLight 70° SB36 ST44, black, bronze)		1
28	1437870-0419	(Cross-brace single Compact, UltraLight 70° SB36 ST46, silver grey)		1

**(Cross brace to frame 70°, SB32-40)**

28	1437870-0424	(Cross-brace single Compact, UltraLight 70° SB36 ST46, cyber green)	01.01.2004 → 31.12.2009	1
28	1437870-0427	(Cross-brace single Compact, UltraLight 70° SB36 ST46, mystic purple)	01.01.2004 → 31.12.2009	1
28	1437870-0442	(Cross-brace single Compact, UltraLight 70° SB36 ST46, night shimmer)	01.01.2009 →	1
28	1437870-0443	(Cross-brace single Compact, UltraLight 70° SB36 ST46, pearly sapphire)	01.01.2004 → 31.12.2009	1
28	1437870-3524	(Cross-brace single Compact, UltraLight 70° SB36 ST46, royal red)		1
28	1437870-5969	(Cross-brace single Compact, UltraLight 70° SB36 ST46, royal blue)		1
28	1437870-9005	KRYSS SB 36 SD 46 COMPACT 2004->		1
28	1437870-9119	(Cross-brace single Compact, UltraLight 70° SB36 ST46, black, bronze)		1
29	1437871-0419	(Cross-brace single Compact, UltraLight 70° SB36 ST48, silver grey)		1
29	1437871-0424	(Cross-brace single Compact, UltraLight 70° SB36 ST48, cyber green)	01.01.2004 → 31.12.2009	1
29	1437871-0427	(Cross-brace single Compact, UltraLight 70° SB36 ST48, mystic purple)	01.01.2004 → 31.12.2009	1
29	1437871-0442	(Cross-brace single Compact, UltraLight 70° SB36 ST48, night shimmer)	01.01.2009 →	1
29	1437871-0443	(Cross-brace single Compact, UltraLight 70° SB36 ST48, pearly sapphire)	01.01.2004 → 31.12.2009	1
29	1437871-3524	(Cross-brace single Compact, UltraLight 70° SB36 ST48, royal red)		1
29	1437871-5969	(Cross-brace single Compact, UltraLight 70° SB36 ST48, royal blue)		1
29	1437871-9005	(Cross-brace single Compact, UltraLight 70° SB36 ST48, black, glossy)		1
29	1437871-9119	(Cross-brace single Compact, UltraLight 70° SB36 ST48, black, bronze)		1
30	1437872-0419	(Cross-brace single Compact, UltraLight 70° SB36 ST50, silver grey)		1
30	1437872-0424	(Cross-brace single Compact, UltraLight 70° SB36 ST50, cyber green)	01.01.2004 → 31.12.2009	1
30	1437872-0427	(Cross-brace single Compact, UltraLight 70° SB36 ST50, mystic purple)	01.01.2004 → 31.12.2009	1
30	1437872-0442	(Cross-brace single Compact, UltraLight 70° SB36 ST50, night shimmer)	01.01.2009 →	1
30	1437872-0443	(Cross-brace single Compact, UltraLight 70° SB36 ST50, pearly sapphire)	01.01.2004 → 31.12.2009	1
30	1437872-3524	(Cross-brace single Compact, UltraLight 70° SB36 ST50, royal red)		1
30	1437872-5969	(Cross-brace single Compact, UltraLight 70° SB36 ST50, royal blue)		1
30	1437872-9005	(Cross-brace single Compact, UltraLight 70° SB36 ST50, black, glossy)		1
30	1437872-9119	(Cross-brace single Compact, UltraLight 70° SB36 ST50, black, bronze)		1
31	1437873-0419	(Cross-brace single Compact, UltraLight 70° SB38 ST32, silver grey)		1
31	1437873-0424	(Cross-brace single Compact, UltraLight 70° SB38 ST32, cyber green)	01.01.2004 → 31.12.2009	1
31	1437873-0427	(Cross-brace single Compact, UltraLight 70° SB38 ST32, mystic purple)	01.01.2004 → 31.12.2009	1
31	1437873-0442	(Cross-brace single Compact, UltraLight 70° SB38 ST32, night shimmer)	01.01.2009 →	1
31	1437873-0443	(Cross-brace single Compact, UltraLight 70° SB38 ST32, pearly sapphire)	01.01.2004 → 31.12.2009	1
31	1437873-3524	(Cross-brace single Compact, UltraLight 70° SB38 ST32, royal red)		1
31	1437873-5969	(Cross-brace single Compact, UltraLight 70° SB38 ST32, royal blue)		1
31	1437873-9005	(Cross-brace single Compact, UltraLight 70° SB38 ST32, black, glossy)		1
31	1437873-9119	(Cross-brace single Compact, UltraLight 70° SB38 ST32, black, bronze)		1
32	1437874-0419	(Cross-brace single Compact, UltraLight 70° SB38 ST34, silver grey)		1
32	1437874-0424	(Cross-brace single Compact, UltraLight 70° SB38 ST34, cyber green)	01.01.2004 → 31.12.2009	1
32	1437874-0427	(Cross-brace single Compact, UltraLight 70° SB38 ST34, mystic purple)	01.01.2004 → 31.12.2009	1
32	1437874-0442	(Cross-brace single Compact, UltraLight 70° SB38 ST34, night shimmer)	01.01.2009 →	1
32	1437874-0443	(Cross-brace single Compact, UltraLight 70° SB38 ST34, pearly sapphire)	01.01.2004 → 31.12.2009	1
32	1437874-3524	(Cross-brace single Compact, UltraLight 70° SB38 ST34, royal red)		1
32	1437874-5969	(Cross-brace single Compact, UltraLight 70° SB38 ST34, royal blue)		1
32	1437874-9005	(Cross-brace single Compact, UltraLight 70° SB38 ST34, black, glossy)		1
32	1437874-9119	(Cross-brace single Compact, UltraLight 70° SB38 ST34, black, bronze)		1

**(Cross brace to frame 70°, SB32-40)**

33	1437875-0419	(Cross-brace single Compact, UltraLight 70° SB38 ST36, silver grey)		1
33	1437875-0424	(Cross-brace single Compact, UltraLight 70° SB38 ST36, cyber green)	01.01.2004 → 31.12.2009	1
33	1437875-0427	(Cross-brace single Compact, UltraLight 70° SB38 ST36, mystic purple)	01.01.2004 → 31.12.2009	1
33	1437875-0442	(Cross-brace single Compact, UltraLight 70° SB38 ST36, night shimmer)	01.01.2009 →	1
33	1437875-0443	(Cross-brace single Compact, UltraLight 70° SB38 ST36, pearly sapphire)	01.01.2004 → 31.12.2009	1
33	1437875-3524	(Cross-brace single Compact, UltraLight 70° SB38 ST36, royal red)		1
33	1437875-5969	(Cross-brace single Compact, UltraLight 70° SB38 ST36, royal blue)		1
33	1437875-9005	(Cross-brace single Compact, UltraLight 70° SB38 ST36, black, glossy)		1
33	1437875-9119	(Cross-brace single Compact, UltraLight 70° SB38 ST36, black, bronze)		1
34	1437876-0419	(Cross-brace single Compact, UltraLight 70° SB38 ST38, silver grey)		1
34	1437876-0424	(Cross-brace single Compact, UltraLight 70° SB38 ST38, cyber green)	01.01.2004 → 31.12.2009	1
34	1437876-0427	(Cross-brace single Compact, UltraLight 70° SB38 ST38, mystic purple)	01.01.2004 → 31.12.2009	1
34	1437876-0442	(Cross-brace single Compact, UltraLight 70° SB38 ST38, night shimmer)	01.01.2009 →	1
34	1437876-0443	(Cross-brace single Compact, UltraLight 70° SB38 ST38, pearly sapphire)	01.01.2004 → 31.12.2009	1
34	1437876-3524	(Cross-brace single Compact, UltraLight 70° SB38 ST38, royal red)		1
34	1437876-5969	(Cross-brace single Compact, UltraLight 70° SB38 ST38, royal blue)		1
34	1437876-9005	(Cross-brace single Compact, UltraLight 70° SB38 ST38, black, glossy)		1
34	1437876-9119	(Cross-brace single Compact, UltraLight 70° SB38 ST38, black, bronze)		1
35	1437877-0419	(Cross-brace single Compact, UltraLight 70° SB38 ST40, silver grey)		1
35	1437877-0424	(Cross-brace single Compact, UltraLight 70° SB38 ST40, cyber green)	01.01.2004 → 31.12.2009	1
35	1437877-0427	(Cross-brace single Compact, UltraLight 70° SB38 ST40, mystic purple)	01.01.2004 → 31.12.2009	1
35	1437877-0442	(Cross-brace single Compact, UltraLight 70° SB38 ST40, night shimmer)	01.01.2009 →	1
35	1437877-0443	(Cross-brace single Compact, UltraLight 70° SB38 ST40, pearly sapphire)	01.01.2004 → 31.12.2009	1
35	1437877-3524	(Cross-brace single Compact, UltraLight 70° SB38 ST40, royal red)		1
35	1437877-5969	(Cross-brace single Compact, UltraLight 70° SB38 ST40, royal blue)		1
35	1437877-9005	KRYSS SB 38 SD 40 COMPACT 2004->		1
35	1437877-9119	(Cross-brace single Compact, UltraLight 70° SB38 ST40, black, bronze)		1
36	1437878-0419	(Cross-brace single Compact, UltraLight 70° SB38 ST42, silver grey)		1
36	1437878-0424	(Cross-brace single Compact, UltraLight 70° SB38 ST42, cyber green)	01.01.2004 → 31.12.2009	1
36	1437878-0427	(Cross-brace single Compact, UltraLight 70° SB38 ST42, mystic purple)	01.01.2004 → 31.12.2009	1
36	1437878-0442	(Cross-brace single Compact, UltraLight 70° SB38 ST42, night shimmer)	01.01.2009 →	1
36	1437878-0443	(Cross-brace single Compact, UltraLight 70° SB38 ST42, pearly sapphire)	01.01.2004 → 31.12.2009	1
36	1437878-3524	(Cross-brace single Compact, UltraLight 70° SB38 ST42, royal red)		1
36	1437878-5969	(Cross-brace single Compact, UltraLight 70° SB38 ST42, royal blue)		1
36	1437878-9005	(Cross-brace single Compact, UltraLight 70° SB38 ST42, black, glossy)		1
36	1437878-9119	(Cross-brace single Compact, UltraLight 70° SB38 ST42, black, bronze)		1
37	1437879-0419	(Cross-brace single Compact, UltraLight 70° SB38 ST44, silver grey)		1
37	1437879-0424	(Cross-brace single Compact, UltraLight 70° SB38 ST44, cyber green)	01.01.2004 → 31.12.2009	1
37	1437879-0427	(Cross-brace single Compact, UltraLight 70° SB38 ST44, mystic purple)	01.01.2004 → 31.12.2009	1
37	1437879-0442	(Cross-brace single Compact, UltraLight 70° SB38 ST44, night shimmer)	01.01.2009 →	1
37	1437879-0443	(Cross-brace single Compact, UltraLight 70° SB38 ST44, pearly sapphire)	01.01.2004 → 31.12.2009	1
37	1437879-3524	(Cross-brace single Compact, UltraLight 70° SB38 ST44, royal red)		1
37	1437879-5969	(Cross-brace single Compact, UltraLight 70° SB38 ST44, royal blue)		1
37	1437879-9005	KRYSS SB 38 SD 44 70G COMPACT 2004->		1

**(Cross brace to frame 70°, SB32-40)**

37	1437879-9119	(Cross-brace single Compact, UltraLight 70° SB38 ST44, black, bronze)		1
38	1437880-0419	(Cross-brace single Compact, UltraLight 70° SB38 ST46, silver grey)		1
38	1437880-0424	(Cross-brace single Compact, UltraLight 70° SB38 ST46, cyber green)	01.01.2004 → 31.12.2009	1
38	1437880-0427	(Cross-brace single Compact, UltraLight 70° SB38 ST46, mystic purple)	01.01.2004 → 31.12.2009	1
38	1437880-0442	(Cross-brace single Compact, UltraLight 70° SB38 ST46, night shimmer)	01.01.2009 →	1
38	1437880-0443	(Cross-brace single Compact, UltraLight 70° SB38 ST46, pearly sapphire)	01.01.2004 → 31.12.2009	1
38	1437880-3524	(Cross-brace single Compact, UltraLight 70° SB38 ST46, royal red)		1
38	1437880-5969	(Cross-brace single Compact, UltraLight 70° SB38 ST46, royal blue)		1
38	1437880-9005	(Cross-brace single Compact, UltraLight 70° SB38 ST46, black, glossy)		1
38	1437880-9119	(Cross-brace single Compact, UltraLight 70° SB38 ST46, black, bronze)		1
39	1437881-0419	(Cross-brace single Compact, UltraLight 70° SB38 ST48, silver grey)		1
39	1437881-0424	(Cross-brace single Compact, UltraLight 70° SB38 ST48, cyber green)	01.01.2004 → 31.12.2009	1
39	1437881-0427	(Cross-brace single Compact, UltraLight 70° SB38 ST48, mystic purple)	01.01.2004 → 31.12.2009	1
39	1437881-0442	(Cross-brace single Compact, UltraLight 70° SB38 ST48, night shimmer)	01.01.2009 →	1
39	1437881-0443	(Cross-brace single Compact, UltraLight 70° SB38 ST48, pearly sapphire)	01.01.2004 → 31.12.2009	1
39	1437881-3524	(Cross-brace single Compact, UltraLight 70° SB38 ST48, royal red)		1
39	1437881-5969	(Cross-brace single Compact, UltraLight 70° SB38 ST48, royal blue)		1
39	1437881-9005	(Cross-brace single Compact, UltraLight 70° SB38 ST48, black, glossy)		1
39	1437881-9119	(Cross-brace single Compact, UltraLight 70° SB38 ST48, black, bronze)		1
40	1437882-0419	(Cross-brace single Compact, UltraLight 70° SB38 ST50, silver grey)		1
40	1437882-0424	(Cross-brace single Compact, UltraLight 70° SB38 ST50, cyber green)	01.01.2004 → 31.12.2009	1
40	1437882-0427	(Cross-brace single Compact, UltraLight 70° SB38 ST50, mystic purple)	01.01.2004 → 31.12.2009	1
40	1437882-0442	(Cross-brace single Compact, UltraLight 70° SB38 ST50, night shimmer)	01.01.2009 →	1
40	1437882-0443	(Cross-brace single Compact, UltraLight 70° SB38 ST50, pearly sapphire)	01.01.2004 → 31.12.2009	1
40	1437882-3524	(Cross-brace single Compact, UltraLight 70° SB38 ST50, royal red)		1
40	1437882-5969	(Cross-brace single Compact, UltraLight 70° SB38 ST50, royal blue)		1
40	1437882-9005	(Cross-brace single Compact, UltraLight 70° SB38 ST50, black, glossy)		1
40	1437882-9119	(Cross-brace single Compact, UltraLight 70° SB38 ST50, black, bronze)		1
41	1437883-0419	(Cross-brace single Compact, UltraLight 70° SB40 ST32, silver grey)		1
41	1437883-0424	(Cross-brace single Compact, UltraLight 70° SB40 ST32, cyber green)	01.01.2004 → 31.12.2009	1
41	1437883-0427	(Cross-brace single Compact, UltraLight 70° SB40 ST32, mystic purple)	01.01.2004 → 31.12.2009	1
41	1437883-0442	(Cross-brace single Compact, UltraLight 70° SB40 ST32, night shimmer)	01.01.2009 →	1
41	1437883-0443	(Cross-brace single Compact, UltraLight 70° SB40 ST32, pearly sapphire)	01.01.2004 → 31.12.2009	1
41	1437883-3524	(Cross-brace single Compact, UltraLight 70° SB40 ST32, royal red)		1
41	1437883-5969	(Cross-brace single Compact, UltraLight 70° SB40 ST32, royal blue)		1
41	1437883-9005	(Cross-brace single Compact, UltraLight 70° SB40 ST32, black, glossy)		1
41	1437883-9119	(Cross-brace single Compact, UltraLight 70° SB40 ST32, black, bronze)		1
42	1437884-0419	(Cross-brace single Compact, UltraLight 70° SB40 ST34, silver grey)		1
42	1437884-0424	(Cross-brace single Compact, UltraLight 70° SB40 ST34, cyber green)	01.01.2004 → 31.12.2009	1
42	1437884-0427	(Cross-brace single Compact, UltraLight 70° SB40 ST34, mystic purple)	01.01.2004 → 31.12.2009	1
42	1437884-0442	(Cross-brace single Compact, UltraLight 70° SB40 ST34, night shimmer)	01.01.2009 →	1
42	1437884-0443	(Cross-brace single Compact, UltraLight 70° SB40 ST34, pearly sapphire)	01.01.2004 → 31.12.2009	1
42	1437884-3524	(Cross-brace single Compact, UltraLight 70° SB40 ST34, royal red)		1
42	1437884-5969	(Cross-brace single Compact, UltraLight 70° SB40 ST34, royal blue)		1

**(Cross brace to frame 70°, SB32-40)**

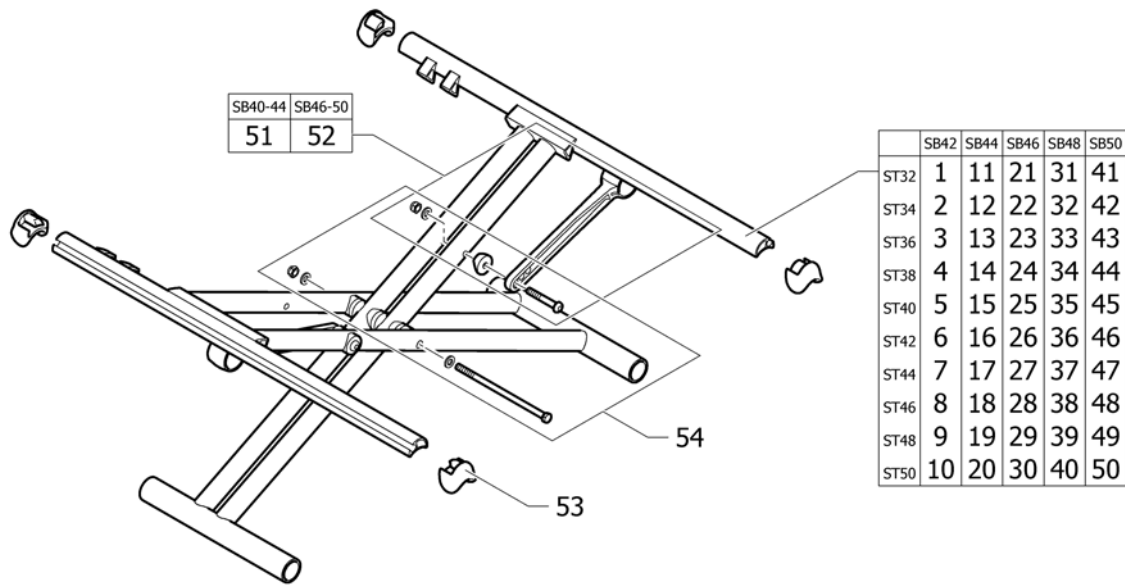
42	1437884-9005	(Cross-brace single Compact, UltraLight 70° SB40 ST34, black, glossy)		1
42	1437884-9119	(Cross-brace single Compact, UltraLight 70° SB40 ST34, black, bronze)		1
43	1437885-0419	(Cross-brace single Compact, UltraLight 70° SB40 ST36, silver grey)		1
43	1437885-0424	(Cross-brace single Compact, UltraLight 70° SB40 ST36, cyber green)	01.01.2004 → 31.12.2009	1
43	1437885-0427	(Cross-brace single Compact, UltraLight 70° SB40 ST36, mystic purple)	01.01.2004 → 31.12.2009	1
43	1437885-0442	(Cross-brace single Compact, UltraLight 70° SB40 ST36, night shimmer)	01.01.2009 →	1
43	1437885-0443	(Cross-brace single Compact, UltraLight 70° SB40 ST36, pearly sapphire)	01.01.2004 → 31.12.2009	1
43	1437885-3524	(Cross-brace single Compact, UltraLight 70° SB40 ST36, royal red)		1
43	1437885-5969	(Cross-brace single Compact, UltraLight 70° SB40 ST36, royal blue)		1
43	1437885-9005	(Cross-brace single Compact, UltraLight 70° SB40 ST36, black, glossy)		1
43	1437885-9119	(Cross-brace single Compact, UltraLight 70° SB40 ST36, black, bronze)		1
44	1437886-0419	(Cross-brace single Compact, UltraLight 70° SB40 ST38, silver grey)		1
44	1437886-0424	(Cross-brace single Compact, UltraLight 70° SB40 ST38, cyber green)	01.01.2004 → 31.12.2009	1
44	1437886-0427	(Cross-brace single Compact, UltraLight 70° SB40 ST38, mystic purple)	01.01.2004 → 31.12.2009	1
44	1437886-0442	(Cross-brace single Compact, UltraLight 70° SB40 ST38, night shimmer)	01.01.2009 →	1
44	1437886-0443	(Cross-brace single Compact, UltraLight 70° SB40 ST38, pearly sapphire)	01.01.2004 → 31.12.2009	1
44	1437886-3524	(Cross-brace single Compact, UltraLight 70° SB40 ST38, royal red)		1
44	1437886-5969	(Cross-brace single Compact, UltraLight 70° SB40 ST38, royal blue)		1
44	1437886-9005	(Cross-brace single Compact, UltraLight 70° SB40 ST38, black, glossy)		1
44	1437886-9119	(Cross-brace single Compact, UltraLight 70° SB40 ST38, black, bronze)		1
45	1437887-0419	(Cross-brace single Compact, UltraLight 70° SB40 ST40, silver grey)		1
45	1437887-0424	(Cross-brace single Compact, UltraLight 70° SB40 ST40, cyber green)	01.01.2004 → 31.12.2009	1
45	1437887-0427	(Cross-brace single Compact, UltraLight 70° SB40 ST40, mystic purple)	01.01.2004 → 31.12.2009	1
45	1437887-0442	(Cross-brace single Compact, UltraLight 70° SB40 ST40, night shimmer)	01.01.2009 →	1
45	1437887-0443	(Cross-brace single Compact, UltraLight 70° SB40 ST40, pearly sapphire)	01.01.2004 → 31.12.2009	1
45	1437887-3524	(Cross-brace single Compact, UltraLight 70° SB40 ST40, royal red)		1
45	1437887-5969	(Cross-brace single Compact, UltraLight 70° SB40 ST40, royal blue)		1
45	1437887-9005	KRYSS SB 40 SD 40 COMPACT		1
45	1437887-9119	(Cross-brace single Compact, UltraLight 70° SB40 ST40, black, bronze)		1
46	1437888-0419	(Cross-brace single Compact, UltraLight 70° SB40 ST42, silver grey)		1
46	1437888-0424	(Cross-brace single Compact, UltraLight 70° SB40 ST42, cyber green)	01.01.2004 → 31.12.2009	1
46	1437888-0427	(Cross-brace single Compact, UltraLight 70° SB40 ST42, mystic purple)	01.01.2004 → 31.12.2009	1
46	1437888-0442	(Cross-brace single Compact, UltraLight 70° SB40 ST42, night shimmer)	01.01.2009 →	1
46	1437888-0443	(Cross-brace single Compact, UltraLight 70° SB40 ST42, pearly sapphire)	01.01.2004 → 31.12.2009	1
46	1437888-3524	(Cross-brace single Compact, UltraLight 70° SB40 ST42, royal red)		1
46	1437888-5969	(Cross-brace single Compact, UltraLight 70° SB40 ST42, royal blue)		1
46	1437888-9005	KRYSS SB 40 SD 42 COMPACT		1
46	1437888-9119	(Cross-brace single Compact, UltraLight 70° SB40 ST42, black, bronze)		1
47	1437889-0419	(Cross-brace single Compact, UltraLight 70° SB40 ST44, silver grey)		1
47	1437889-0424	(Cross-brace single Compact, UltraLight 70° SB40 ST44, cyber green)	01.01.2004 → 31.12.2009	1
47	1437889-0427	(Cross-brace single Compact, UltraLight 70° SB40 ST44, mystic purple)	01.01.2004 → 31.12.2009	1
47	1437889-0442	(Cross-brace single Compact, UltraLight 70° SB40 ST44, night shimmer)	01.01.2009 →	1
47	1437889-0443	(Cross-brace single Compact, UltraLight 70° SB40 ST44, pearly sapphire)	01.01.2004 → 31.12.2009	1
47	1437889-3524	(Cross-brace single Compact, UltraLight 70° SB40 ST44, royal red)		1

**(Cross brace to frame 70°, SB32-40)**

47	1437889-5969	(Cross-brace single Compact, UltraLight 70° SB40 ST44, royal blue)		1
47	1437889-9005	(Cross-brace single Compact, UltraLight 70° SB40 ST44, black, glossy)		1
47	1437889-9119	(Cross-brace single Compact, UltraLight 70° SB40 ST44, black, bronze)		1
48	1437890-0419	(Cross-brace single Compact, UltraLight 70° SB40 ST46, silver grey)		1
48	1437890-0424	(Cross-brace single Compact, UltraLight 70° SB40 ST46, cyber green)	01.01.2004 → 31.12.2009	1
48	1437890-0427	(Cross-brace single Compact, UltraLight 70° SB40 ST46, mystic purple)	01.01.2004 → 31.12.2009	1
48	1437890-0442	(Cross-brace single Compact, UltraLight 70° SB40 ST46, night shimmer)	01.01.2009 →	1
48	1437890-0443	(Cross-brace single Compact, UltraLight 70° SB40 ST46, pearly sapphire)	01.01.2004 → 31.12.2009	1
48	1437890-3524	(Cross-brace single Compact, UltraLight 70° SB40 ST46, royal red)		1
48	1437890-5969	(Cross-brace single Compact, UltraLight 70° SB40 ST46, royal blue)		1
48	1437890-9005	(Cross-brace single Compact, UltraLight 70° SB40 ST46, black, glossy)		1
48	1437890-9119	(Cross-brace single Compact, UltraLight 70° SB40 ST46, black, bronze)		1
49	1437891-0419	(Cross-brace single Compact, UltraLight 70° SB40 ST48, silver grey)		1
49	1437891-0424	(Cross-brace single Compact, UltraLight 70° SB40 ST48, cyber green)	01.01.2004 → 31.12.2009	1
49	1437891-0427	(Cross-brace single Compact, UltraLight 70° SB40 ST48, mystic purple)	01.01.2004 → 31.12.2009	1
49	1437891-0442	(Cross-brace single Compact, UltraLight 70° SB40 ST48, night shimmer)	01.01.2009 →	1
49	1437891-0443	(Cross-brace single Compact, UltraLight 70° SB40 ST48, pearly sapphire)	01.01.2004 → 31.12.2009	1
49	1437891-3524	(Cross-brace single Compact, UltraLight 70° SB40 ST48, royal red)		1
49	1437891-5969	(Cross-brace single Compact, UltraLight 70° SB40 ST48, royal blue)		1
49	1437891-9005	(Cross-brace single Compact, UltraLight 70° SB40 ST48, black, glossy)		1
49	1437891-9119	(Cross-brace single Compact, UltraLight 70° SB40 ST48, black, bronze)		1
50	1437892-0419	(Cross-brace single Compact, UltraLight 70° SB40 ST50, silver grey)		1
50	1437892-0424	(Cross-brace single Compact, UltraLight 70° SB40 ST50, cyber green)	01.01.2004 → 31.12.2009	1
50	1437892-0427	(Cross-brace single Compact, UltraLight 70° SB40 ST50, mystic purple)	01.01.2004 → 31.12.2009	1
50	1437892-0442	(Cross-brace single Compact, UltraLight 70° SB40 ST50, night shimmer)	01.01.2009 →	1
50	1437892-0443	(Cross-brace single Compact, UltraLight 70° SB40 ST50, pearly sapphire)	01.01.2004 → 31.12.2009	1
50	1437892-3524	(Cross-brace single Compact, UltraLight 70° SB40 ST50, royal red)		1
50	1437892-5969	(Cross-brace single Compact, UltraLight 70° SB40 ST50, royal blue)		1
50	1437892-9005	(Cross-brace single Compact, UltraLight 70° SB40 ST50, black, glossy)		1
50	1437892-9119	(Cross-brace single Compact, UltraLight 70° SB40 ST50, black, bronze)		1
51	1437943	(Retaining lever SB32-38)		1
52	1437944	KRYSSHOLDER STAG SB 40-44 KUSCHALL ULCO		1
53	1507625	KLIPS/ENDESTOPPER KIT. COMPACT KUSCHALL		1
54	1439479	SKRUESETT FOR SETEKRYSS COMPACT 2004 MODELL		1



**(Cross brace to frame 70°, SB42-50)**



1	1498789-0419	(Cross-brace double Compact, UltraLight 70° SB42 ST32, silver grey)		1
1	1498789-0424	(Cross-brace double Compact, UltraLight 70° SB42 ST32, cyber green)	01.01.2004 → 31.12.2009	1
1	1498789-0427	(Cross-brace double Compact, UltraLight 70° SB42 ST32, mystic purple)	01.01.2004 → 31.12.2009	1
1	1498789-0442	(Cross-brace double Compact, UltraLight 70° SB42 ST32, night shimmer)	01.01.2009 →	1
1	1498789-0443	(Cross-brace double Compact, UltraLight 70° SB42 ST32, pearly sapphire)	01.01.2004 → 31.12.2009	1
1	1498789-3524	(Cross-brace double Compact, UltraLight 70° SB42 ST32, royal red)		1
1	1498789-5969	(Cross-brace double Compact, UltraLight 70° SB42 ST32, royal blue)		1
1	1498789-9005	(Cross-brace double Compact, UltraLight 70° SB42 ST32, black, glossy)		1
1	1498789-9119	(Cross-brace double Compact, UltraLight 70° SB42 ST32, black, bronze)		1
2	1498790-0419	(Cross-brace double Compact, UltraLight 70° SB42 ST34, silver grey)		1
2	1498790-0424	(Cross-brace double Compact, UltraLight 70° SB42 ST34, cyber green)	01.01.2004 → 31.12.2009	1
2	1498790-0427	(Cross-brace double Compact, UltraLight 70° SB42 ST34, mystic purple)	01.01.2004 → 31.12.2009	1
2	1498790-0442	(Cross-brace double Compact, UltraLight 70° SB42 ST34, night shimmer)	01.01.2009 →	1
2	1498790-0443	(Cross-brace double Compact, UltraLight 70° SB42 ST34, pearly sapphire)	01.01.2004 → 31.12.2009	1
2	1498790-3524	(Cross-brace double Compact, UltraLight 70° SB42 ST34, royal red)		1
2	1498790-5969	(Cross-brace double Compact, UltraLight 70° SB42 ST34, royal blue)		1
2	1498790-9005	(Cross-brace double Compact, UltraLight 70° SB42 ST34, black, glossy)		1
2	1498790-9119	(Cross-brace double Compact, UltraLight 70° SB42 ST34, black, bronze)		1
3	1498791-0419	(Cross-brace double Compact, UltraLight 70° SB42 ST36, silver grey)		1
3	1498791-0424	(Cross-brace double Compact, UltraLight 70° SB42 ST36, cyber green)	01.01.2004 → 31.12.2009	1
3	1498791-0427	(Cross-brace double Compact, UltraLight 70° SB42 ST36, mystic purple)	01.01.2004 → 31.12.2009	1
3	1498791-0442	(Cross-brace double Compact, UltraLight 70° SB42 ST36, night shimmer)	01.01.2009 →	1
3	1498791-0443	(Cross-brace double Compact, UltraLight 70° SB42 ST36, pearly sapphire)	01.01.2004 → 31.12.2009	1
3	1498791-3524	(Cross-brace double Compact, UltraLight 70° SB42 ST36, royal red)		1

**(Cross brace to frame 70°, SB42-50)**

3	1498791-5969	(Cross-brace double Compact, UltraLight 70° SB42 ST36, royal blue)		1
3	1498791-9005	(Cross-brace double Compact, UltraLight 70° SB42 ST36, black, glossy)		1
3	1498791-9119	(Cross-brace double Compact, UltraLight 70° SB42 ST36, black, bronze)		1
4	1498792-0419	(Cross-brace double Compact, UltraLight 70° SB42 ST38, silver grey)		1
4	1498792-0424	(Cross-brace double Compact, UltraLight 70° SB42 ST38, cyber green)	01.01.2004 → 31.12.2009	1
4	1498792-0427	(Cross-brace double Compact, UltraLight 70° SB42 ST38, mystic purple)	01.01.2004 → 31.12.2009	1
4	1498792-0442	(Cross-brace double Compact, UltraLight 70° SB42 ST38, night shimmer)	01.01.2009 →	1
4	1498792-0443	(Cross-brace double Compact, UltraLight 70° SB42 ST38, pearly sapphire)	01.01.2004 → 31.12.2009	1
4	1498792-3524	(Cross-brace double Compact, UltraLight 70° SB42 ST38, royal red)		1
4	1498792-5969	(Cross-brace double Compact, UltraLight 70° SB42 ST38, royal blue)		1
4	1498792-9005	(Cross-brace double Compact, UltraLight 70° SB42 ST38, black, glossy)		1
4	1498792-9119	(Cross-brace double Compact, UltraLight 70° SB42 ST38, black, bronze)		1
5	1498793-0419	(Cross-brace double Compact, UltraLight 70° SB42 ST40, silver grey)		1
5	1498793-0424	(Cross-brace double Compact, UltraLight 70° SB42 ST40, cyber green)	01.01.2004 → 31.12.2009	1
5	1498793-0427	(Cross-brace double Compact, UltraLight 70° SB42 ST40, mystic purple)	01.01.2004 → 31.12.2009	1
5	1498793-0442	(Cross-brace double Compact, UltraLight 70° SB42 ST40, night shimmer)	01.01.2009 →	1
5	1498793-0443	(Cross-brace double Compact, UltraLight 70° SB42 ST40, pearly sapphire)	01.01.2004 → 31.12.2009	1
5	1498793-3524	(Cross-brace double Compact, UltraLight 70° SB42 ST40, royal red)		1
5	1498793-5969	(Cross-brace double Compact, UltraLight 70° SB42 ST40, royal blue)		1
5	1498793-9005	(Cross-brace double Compact, UltraLight 70° SB42 ST40, black, glossy)		1
5	1498793-9119	(Cross-brace double Compact, UltraLight 70° SB42 ST40, black, bronze)		1
6	1498794-0419	(Cross-brace double Compact, UltraLight 70° SB42 ST42, silver grey)		1
6	1498794-0424	(Cross-brace double Compact, UltraLight 70° SB42 ST42, cyber green)	01.01.2004 → 31.12.2009	1
6	1498794-0427	(Cross-brace double Compact, UltraLight 70° SB42 ST42, mystic purple)	01.01.2004 → 31.12.2009	1
6	1498794-0442	(Cross-brace double Compact, UltraLight 70° SB42 ST42, night shimmer)	01.01.2009 →	1
6	1498794-0443	(Cross-brace double Compact, UltraLight 70° SB42 ST42, pearly sapphire)	01.01.2004 → 31.12.2009	1
6	1498794-3524	(Cross-brace double Compact, UltraLight 70° SB42 ST42, royal red)		1
6	1498794-5969	(Cross-brace double Compact, UltraLight 70° SB42 ST42, royal blue)		1
6	1498794-9005	(Cross-brace double Compact, UltraLight 70° SB42 ST42, black, glossy)		1
6	1498794-9119	(Cross-brace double Compact, UltraLight 70° SB42 ST42, black, bronze)		1
7	1498795-0419	(Cross-brace double Compact, UltraLight 70° SB42 ST44, silver grey)		1
7	1498795-0424	(Cross-brace double Compact, UltraLight 70° SB42 ST44, cyber green)	01.01.2004 → 31.12.2009	1
7	1498795-0427	(Cross-brace double Compact, UltraLight 70° SB42 ST44, mystic purple)	01.01.2004 → 31.12.2009	1
7	1498795-0442	(Cross-brace double Compact, UltraLight 70° SB42 ST44, night shimmer)	01.01.2009 →	1
7	1498795-0443	(Cross-brace double Compact, UltraLight 70° SB42 ST44, pearly sapphire)	01.01.2004 → 31.12.2009	1
7	1498795-3524	(Cross-brace double Compact, UltraLight 70° SB42 ST44, royal red)		1
7	1498795-5969	(Cross-brace double Compact, UltraLight 70° SB42 ST44, royal blue)		1
7	1498795-9005	KRYSS DOBBELTPL SB 42 SD 42 COMPACT/UL		1
7	1498795-9119	(Cross-brace double Compact, UltraLight 70° SB42 ST44, black, bronze)		1
8	1498796-0419	(Cross-brace double Compact, UltraLight 70° SB42 ST46, silver grey)		1
8	1498796-0424	(Cross-brace double Compact, UltraLight 70° SB42 ST46, cyber green)	01.01.2004 → 31.12.2009	1
8	1498796-0427	(Cross-brace double Compact, UltraLight 70° SB42 ST46, mystic purple)	01.01.2004 → 31.12.2009	1
8	1498796-0442	(Cross-brace double Compact, UltraLight 70° SB42 ST46, night shimmer)	01.01.2009 →	1
8	1498796-0443	(Cross-brace double Compact, UltraLight 70° SB42 ST46, pearly sapphire)	01.01.2004 → 31.12.2009	1

**(Cross brace to frame 70°, SB42-50)**

8	1498796-3524	(Cross-brace double Compact, UltraLight 70° SB42 ST46, royal red)		1
8	1498796-5969	(Cross-brace double Compact, UltraLight 70° SB42 ST46, royal blue)		1
8	1498796-9005	(Cross-brace double Compact, UltraLight 70° SB42 ST46, black, glossy)		1
8	1498796-9119	(Cross-brace double Compact, UltraLight 70° SB42 ST46, black, bronze)		1
9	1498797-0419	(Cross-brace double Compact, UltraLight 70° SB42 ST48, silver grey)		1
9	1498797-0424	(Cross-brace double Compact, UltraLight 70° SB42 ST48, cyber green)	01.01.2004 → 31.12.2009	1
9	1498797-0427	(Cross-brace double Compact, UltraLight 70° SB42 ST48, mystic purple)	01.01.2004 → 31.12.2009	1
9	1498797-0442	(Cross-brace double Compact, UltraLight 70° SB42 ST48, night shimmer)	01.01.2009 →	1
9	1498797-0443	(Cross-brace double Compact, UltraLight 70° SB42 ST48, pearly sapphire)	01.01.2004 → 31.12.2009	1
9	1498797-3524	(Cross-brace double Compact, UltraLight 70° SB42 ST48, royal red)		1
9	1498797-5969	(Cross-brace double Compact, UltraLight 70° SB42 ST48, royal blue)		1
9	1498797-9005	(Cross-brace double Compact, UltraLight 70° SB42 ST48, black, glossy)		1
9	1498797-9119	(Cross-brace double Compact, UltraLight 70° SB42 ST48, black, bronze)		1
10	1498798-0419	(Cross-brace double Compact, UltraLight 70° SB42 ST50, silver grey)		1
10	1498798-0424	(Cross-brace double Compact, UltraLight 70° SB42 ST50, cyber green)	01.01.2004 → 31.12.2009	1
10	1498798-0427	(Cross-brace double Compact, UltraLight 70° SB42 ST50, mystic purple)	01.01.2004 → 31.12.2009	1
10	1498798-0442	(Cross-brace double Compact, UltraLight 70° SB42 ST50, night shimmer)	01.01.2009 →	1
10	1498798-0443	(Cross-brace double Compact, UltraLight 70° SB42 ST50, pearly sapphire)	01.01.2004 → 31.12.2009	1
10	1498798-3524	(Cross-brace double Compact, UltraLight 70° SB42 ST50, royal red)		1
10	1498798-5969	(Cross-brace double Compact, UltraLight 70° SB42 ST50, royal blue)		1
10	1498798-9005	(Cross-brace double Compact, UltraLight 70° SB42 ST50, black, glossy)		1
10	1498798-9119	(Cross-brace double Compact, UltraLight 70° SB42 ST50, black, bronze)		1
11	1437903-0419	(Cross-brace double Compact, UltraLight 70° SB44 ST32, silver grey)		1
11	1437903-0424	(Cross-brace double Compact, UltraLight 70° SB44 ST32, cyber green)	01.01.2004 → 31.12.2009	1
11	1437903-0427	(Cross-brace double Compact, UltraLight 70° SB44 ST32, mystic purple)	01.01.2004 → 31.12.2009	1
11	1437903-0442	(Cross-brace double Compact, UltraLight 70° SB44 ST32, night shimmer)	01.01.2009 →	1
11	1437903-0443	(Cross-brace double Compact, UltraLight 70° SB44 ST32, pearly sapphire)	01.01.2004 → 31.12.2009	1
11	1437903-3524	(Cross-brace double Compact, UltraLight 70° SB44 ST32, royal red)		1
11	1437903-5969	(Cross-brace double Compact, UltraLight 70° SB44 ST32, royal blue)		1
11	1437903-9005	(Cross-brace double Compact, UltraLight 70° SB44 ST32, black, glossy)		1
11	1437903-9119	(Cross-brace double Compact, UltraLight 70° SB44 ST32, black, bronze)		1
12	1437904-0419	(Cross-brace double Compact, UltraLight 70° SB44 ST34, silver grey)		1
12	1437904-0424	(Cross-brace double Compact, UltraLight 70° SB44 ST34, cyber green)	01.01.2004 → 31.12.2009	1
12	1437904-0427	(Cross-brace double Compact, UltraLight 70° SB44 ST34, mystic purple)	01.01.2004 → 31.12.2009	1
12	1437904-0442	(Cross-brace double Compact, UltraLight 70° SB44 ST34, night shimmer)	01.01.2009 →	1
12	1437904-0443	(Cross-brace double Compact, UltraLight 70° SB44 ST34, pearly sapphire)	01.01.2004 → 31.12.2009	1
12	1437904-3524	(Cross-brace double Compact, UltraLight 70° SB44 ST34, royal red)		1
12	1437904-5969	(Cross-brace double Compact, UltraLight 70° SB44 ST34, royal blue)		1
12	1437904-9005	(Cross-brace double Compact, UltraLight 70° SB44 ST34, black, glossy)		1
12	1437904-9119	(Cross-brace double Compact, UltraLight 70° SB44 ST34, black, bronze)		1
13	1437905-0419	(Cross-brace double Compact, UltraLight 70° SB44 ST36, silver grey)		1
13	1437905-0424	(Cross-brace double Compact, UltraLight 70° SB44 ST36, cyber green)	01.01.2004 → 31.12.2009	1
13	1437905-0427	(Cross-brace double Compact, UltraLight 70° SB44 ST36, mystic purple)	01.01.2004 → 31.12.2009	1
13	1437905-0442	(Cross-brace double Compact, UltraLight 70° SB44 ST36, night shimmer)	01.01.2009 →	1

**(Cross brace to frame 70°, SB42-50)**

13	1437905-0443	(Cross-brace double Compact, UltraLight 70° SB44 ST36, pearly sapphire)	01.01.2004 → 31.12.2009	1
13	1437905-3524	(Cross-brace double Compact, UltraLight 70° SB44 ST36, royal red)		1
13	1437905-5969	(Cross-brace double Compact, UltraLight 70° SB44 ST36, royal blue)		1
13	1437905-9005	(Cross-brace double Compact, UltraLight 70° SB44 ST36, black, glossy)		1
13	1437905-9119	(Cross-brace double Compact, UltraLight 70° SB44 ST36, black, bronze)		1
14	1437906-0419	(Cross-brace double Compact, UltraLight 70° SB44 ST38, silver grey)		1
14	1437906-0424	(Cross-brace double Compact, UltraLight 70° SB44 ST38, cyber green)	01.01.2004 → 31.12.2009	1
14	1437906-0427	(Cross-brace double Compact, UltraLight 70° SB44 ST38, mystic purple)	01.01.2004 → 31.12.2009	1
14	1437906-0442	(Cross-brace double Compact, UltraLight 70° SB44 ST38, night shimmer)	01.01.2009 →	1
14	1437906-0443	(Cross-brace double Compact, UltraLight 70° SB44 ST38, pearly sapphire)	01.01.2004 → 31.12.2009	1
14	1437906-3524	(Cross-brace double Compact, UltraLight 70° SB44 ST38, royal red)		1
14	1437906-5969	(Cross-brace double Compact, UltraLight 70° SB44 ST38, royal blue)		1
14	1437906-9005	(Cross-brace double Compact, UltraLight 70° SB44 ST38, black, glossy)		1
14	1437906-9119	(Cross-brace double Compact, UltraLight 70° SB44 ST38, black, bronze)		1
15	1437907-0419	(Cross-brace double Compact, UltraLight 70° SB44 ST40, silver grey)		1
15	1437907-0424	(Cross-brace double Compact, UltraLight 70° SB44 ST40, cyber green)	01.01.2004 → 31.12.2009	1
15	1437907-0427	(Cross-brace double Compact, UltraLight 70° SB44 ST40, mystic purple)	01.01.2004 → 31.12.2009	1
15	1437907-0442	(Cross-brace double Compact, UltraLight 70° SB44 ST40, night shimmer)	01.01.2009 →	1
15	1437907-0443	(Cross-brace double Compact, UltraLight 70° SB44 ST40, pearly sapphire)	01.01.2004 → 31.12.2009	1
15	1437907-3524	(Cross-brace double Compact, UltraLight 70° SB44 ST40, royal red)		1
15	1437907-5969	(Cross-brace double Compact, UltraLight 70° SB44 ST40, royal blue)		1
15	1437907-9005	(Cross-brace double Compact, UltraLight 70° SB44 ST40, black, glossy)		1
15	1437907-9119	(Cross-brace double Compact, UltraLight 70° SB44 ST40, black, bronze)		1
16	1437908-0419	(Cross-brace double Compact, UltraLight 70° SB44 ST42, silver grey)		1
16	1437908-0424	(Cross-brace double Compact, UltraLight 70° SB44 ST42, cyber green)	01.01.2004 → 31.12.2009	1
16	1437908-0427	(Cross-brace double Compact, UltraLight 70° SB44 ST42, mystic purple)	01.01.2004 → 31.12.2009	1
16	1437908-0442	(Cross-brace double Compact, UltraLight 70° SB44 ST42, night shimmer)	01.01.2009 →	1
16	1437908-0443	(Cross-brace double Compact, UltraLight 70° SB44 ST42, pearly sapphire)	01.01.2004 → 31.12.2009	1
16	1437908-3524	(Cross-brace double Compact, UltraLight 70° SB44 ST42, royal red)		1
16	1437908-5969	(Cross-brace double Compact, UltraLight 70° SB44 ST42, royal blue)		1
16	1437908-9005	(Cross-brace double Compact, UltraLight 70° SB44 ST42, black, glossy)		1
16	1437908-9119	(Cross-brace double Compact, UltraLight 70° SB44 ST42, black, bronze)		1
17	1437909-0419	(Cross-brace double Compact, UltraLight 70° SB44 ST44, silver grey)		1
17	1437909-0424	(Cross-brace double Compact, UltraLight 70° SB44 ST44, cyber green)	01.01.2004 → 31.12.2009	1
17	1437909-0427	(Cross-brace double Compact, UltraLight 70° SB44 ST44, mystic purple)	01.01.2004 → 31.12.2009	1
17	1437909-0442	(Cross-brace double Compact, UltraLight 70° SB44 ST44, night shimmer)	01.01.2009 →	1
17	1437909-0443	(Cross-brace double Compact, UltraLight 70° SB44 ST44, pearly sapphire)	01.01.2004 → 31.12.2009	1
17	1437909-3524	(Cross-brace double Compact, UltraLight 70° SB44 ST44, royal red)		1
17	1437909-5969	(Cross-brace double Compact, UltraLight 70° SB44 ST44, royal blue)		1
17	1437909-9005	(Cross-brace double Compact, UltraLight 70° SB44 ST44, black, glossy)		1
17	1437909-9119	(Cross-brace double Compact, UltraLight 70° SB44 ST44, black, bronze)		1
18	1437910-0419	(Cross-brace double Compact, UltraLight 70° SB44 ST46, silver grey)		1
18	1437910-0424	(Cross-brace double Compact, UltraLight 70° SB44 ST46, cyber green)	01.01.2004 → 31.12.2009	1
18	1437910-0427	(Cross-brace double Compact, UltraLight 70° SB44 ST46, mystic purple)	01.01.2004 → 31.12.2009	1

**(Cross brace to frame 70°, SB42-50)**

18	1437910-0442	(Cross-brace double Compact, UltraLight 70° SB44 ST46, night shimmer)	01.01.2009 →	1
18	1437910-0443	(Cross-brace double Compact, UltraLight 70° SB44 ST46, pearly sapphire)	01.01.2004 → 31.12.2009	1
18	1437910-3524	(Cross-brace double Compact, UltraLight 70° SB44 ST46, royal red)		1
18	1437910-5969	(Cross-brace double Compact, UltraLight 70° SB44 ST46, royal blue)		1
18	1437910-9005	(Cross-brace double Compact, UltraLight 70° SB44 ST46, black, glossy)		1
18	1437910-9119	(Cross-brace double Compact, UltraLight 70° SB44 ST46, black, bronze)		1
19	1437911-0419	(Cross-brace double Compact, UltraLight 70° SB44 ST48, silver grey)		1
19	1437911-0424	(Cross-brace double Compact, UltraLight 70° SB44 ST48, cyber green)	01.01.2004 → 31.12.2009	1
19	1437911-0427	(Cross-brace double Compact, UltraLight 70° SB44 ST48, mystic purple)	01.01.2004 → 31.12.2009	1
19	1437911-0442	(Cross-brace double Compact, UltraLight 70° SB44 ST48, night shimmer)	01.01.2009 →	1
19	1437911-0443	(Cross-brace double Compact, UltraLight 70° SB44 ST48, pearly sapphire)	01.01.2004 → 31.12.2009	1
19	1437911-3524	(Cross-brace double Compact, UltraLight 70° SB44 ST48, royal red)		1
19	1437911-5969	(Cross-brace double Compact, UltraLight 70° SB44 ST48, royal blue)		1
19	1437911-9005	(Cross-brace double Compact, UltraLight 70° SB44 ST48, black, glossy)		1
19	1437911-9119	(Cross-brace double Compact, UltraLight 70° SB44 ST48, black, bronze)		1
20	1437912-0419	(Cross-brace double Compact, UltraLight 70° SB44 ST50, silver grey)		1
20	1437912-0424	(Cross-brace double Compact, UltraLight 70° SB44 ST50, cyber green)	01.01.2004 → 31.12.2009	1
20	1437912-0427	(Cross-brace double Compact, UltraLight 70° SB44 ST50, mystic purple)	01.01.2004 → 31.12.2009	1
20	1437912-0442	(Cross-brace double Compact, UltraLight 70° SB44 ST50, night shimmer)	01.01.2009 →	1
20	1437912-0443	(Cross-brace double Compact, UltraLight 70° SB44 ST50, pearly sapphire)	01.01.2004 → 31.12.2009	1
20	1437912-3524	(Cross-brace double Compact, UltraLight 70° SB44 ST50, royal red)		1
20	1437912-5969	(Cross-brace double Compact, UltraLight 70° SB44 ST50, royal blue)		1
20	1437912-9005	(Cross-brace double Compact, UltraLight 70° SB44 ST50, black, glossy)		1
20	1437912-9119	(Cross-brace double Compact, UltraLight 70° SB44 ST50, black, bronze)		1
21	1437913-0419	(Cross-brace double Compact, UltraLight 70° SB46 ST32, silver grey)		1
21	1437913-0424	(Cross-brace double Compact, UltraLight 70° SB46 ST32, cyber green)	01.01.2004 → 31.12.2009	1
21	1437913-0427	(Cross-brace double Compact, UltraLight 70° SB46 ST32, mystic purple)	01.01.2004 → 31.12.2009	1
21	1437913-0442	(Cross-brace double Compact, UltraLight 70° SB46 ST32, night shimmer)	01.01.2009 →	1
21	1437913-0443	(Cross-brace double Compact, UltraLight 70° SB46 ST32, pearly sapphire)	01.01.2004 → 31.12.2009	1
21	1437913-3524	(Cross-brace double Compact, UltraLight 70° SB46 ST32, royal red)		1
21	1437913-5969	(Cross-brace double Compact, UltraLight 70° SB46 ST32, royal blue)		1
21	1437913-9005	(Cross-brace double Compact, UltraLight 70° SB46 ST32, black, glossy)		1
21	1437913-9119	(Cross-brace double Compact, UltraLight 70° SB46 ST32, black, bronze)		1
22	1437914-0419	(Cross-brace double Compact, UltraLight 70° SB46 ST34, silver grey)		1
22	1437914-0424	(Cross-brace double Compact, UltraLight 70° SB46 ST34, cyber green)	01.01.2004 → 31.12.2009	1
22	1437914-0427	(Cross-brace double Compact, UltraLight 70° SB46 ST34, mystic purple)	01.01.2004 → 31.12.2009	1
22	1437914-0442	(Cross-brace double Compact, UltraLight 70° SB46 ST34, night shimmer)	01.01.2009 →	1
22	1437914-0443	(Cross-brace double Compact, UltraLight 70° SB46 ST34, pearly sapphire)	01.01.2004 → 31.12.2009	1
22	1437914-3524	(Cross-brace double Compact, UltraLight 70° SB46 ST34, royal red)		1
22	1437914-5969	(Cross-brace double Compact, UltraLight 70° SB46 ST34, royal blue)		1
22	1437914-9005	(Cross-brace double Compact, UltraLight 70° SB46 ST34, black, glossy)		1
22	1437914-9119	(Cross-brace double Compact, UltraLight 70° SB46 ST34, black, bronze)		1
23	1437915-0419	(Cross-brace double Compact, UltraLight 70° SB46 ST36, silver grey)		1
23	1437915-0424	(Cross-brace double Compact, UltraLight 70° SB46 ST36, cyber green)	01.01.2004 → 31.12.2009	1

**(Cross brace to frame 70°, SB42-50)**

23	1437915-0427	(Cross-brace double Compact, UltraLight 70° SB46 ST36, mystic purple)	01.01.2004 → 31.12.2009	1
23	1437915-0442	(Cross-brace double Compact, UltraLight 70° SB46 ST36, night shimmer)	01.01.2009 →	1
23	1437915-0443	(Cross-brace double Compact, UltraLight 70° SB46 ST36, pearly sapphire)	01.01.2004 → 31.12.2009	1
23	1437915-3524	(Cross-brace double Compact, UltraLight 70° SB46 ST36, royal red)		1
23	1437915-5969	(Cross-brace double Compact, UltraLight 70° SB46 ST36, royal blue)		1
23	1437915-9005	(Cross-brace double Compact, UltraLight 70° SB46 ST36, black, glossy)		1
23	1437915-9119	(Cross-brace double Compact, UltraLight 70° SB46 ST36, black, bronze)		1
24	1437916-0419	(Cross-brace double Compact, UltraLight 70° SB46 ST38, silver grey)		1
24	1437916-0424	(Cross-brace double Compact, UltraLight 70° SB46 ST38, cyber green)	01.01.2004 → 31.12.2009	1
24	1437916-0427	(Cross-brace double Compact, UltraLight 70° SB46 ST38, mystic purple)	01.01.2004 → 31.12.2009	1
24	1437916-0442	(Cross-brace double Compact, UltraLight 70° SB46 ST38, night shimmer)	01.01.2009 →	1
24	1437916-0443	(Cross-brace double Compact, UltraLight 70° SB46 ST38, pearly sapphire)	01.01.2004 → 31.12.2009	1
24	1437916-3524	(Cross-brace double Compact, UltraLight 70° SB46 ST38, royal red)		1
24	1437916-5969	(Cross-brace double Compact, UltraLight 70° SB46 ST38, royal blue)		1
24	1437916-9005	(Cross-brace double Compact, UltraLight 70° SB46 ST38, black, glossy)		1
24	1437916-9119	(Cross-brace double Compact, UltraLight 70° SB46 ST38, black, bronze)		1
25	1437917-0419	(Cross-brace double Compact, UltraLight 70° SB46 ST40, silver grey)		1
25	1437917-0424	(Cross-brace double Compact, UltraLight 70° SB46 ST40, cyber green)	01.01.2004 → 31.12.2009	1
25	1437917-0427	(Cross-brace double Compact, UltraLight 70° SB46 ST40, mystic purple)	01.01.2004 → 31.12.2009	1
25	1437917-0442	(Cross-brace double Compact, UltraLight 70° SB46 ST40, night shimmer)	01.01.2009 →	1
25	1437917-0443	(Cross-brace double Compact, UltraLight 70° SB46 ST40, pearly sapphire)	01.01.2004 → 31.12.2009	1
25	1437917-3524	(Cross-brace double Compact, UltraLight 70° SB46 ST40, royal red)		1
25	1437917-5969	(Cross-brace double Compact, UltraLight 70° SB46 ST40, royal blue)		1
25	1437917-9005	(Cross-brace double Compact, UltraLight 70° SB46 ST40, black, glossy)		1
25	1437917-9119	(Cross-brace double Compact, UltraLight 70° SB46 ST40, black, bronze)		1
26	1437918-0419	(Cross-brace double Compact, UltraLight 70° SB46 ST42, silver grey)		1
26	1437918-0424	(Cross-brace double Compact, UltraLight 70° SB46 ST42, cyber green)	01.01.2004 → 31.12.2009	1
26	1437918-0427	(Cross-brace double Compact, UltraLight 70° SB46 ST42, mystic purple)	01.01.2004 → 31.12.2009	1
26	1437918-0442	(Cross-brace double Compact, UltraLight 70° SB46 ST42, night shimmer)	01.01.2009 →	1
26	1437918-0443	(Cross-brace double Compact, UltraLight 70° SB46 ST42, pearly sapphire)	01.01.2004 → 31.12.2009	1
26	1437918-3524	(Cross-brace double Compact, UltraLight 70° SB46 ST42, royal red)		1
26	1437918-5969	(Cross-brace double Compact, UltraLight 70° SB46 ST42, royal blue)		1
26	1437918-9005	(Cross-brace double Compact, UltraLight 70° SB46 ST42, black, glossy)		1
26	1437918-9119	(Cross-brace double Compact, UltraLight 70° SB46 ST42, black, bronze)		1
27	1437919-0419	(Cross-brace double Compact, UltraLight 70° SB46 ST44, silver grey)		1
27	1437919-0424	(Cross-brace double Compact, UltraLight 70° SB46 ST44, cyber green)	01.01.2004 → 31.12.2009	1
27	1437919-0427	(Cross-brace double Compact, UltraLight 70° SB46 ST44, mystic purple)	01.01.2004 → 31.12.2009	1
27	1437919-0442	(Cross-brace double Compact, UltraLight 70° SB46 ST44, night shimmer)	01.01.2009 →	1
27	1437919-0443	(Cross-brace double Compact, UltraLight 70° SB46 ST44, pearly sapphire)	01.01.2004 → 31.12.2009	1
27	1437919-3524	(Cross-brace double Compact, UltraLight 70° SB46 ST44, royal red)		1
27	1437919-5969	(Cross-brace double Compact, UltraLight 70° SB46 ST44, royal blue)		1
27	1437919-9005	(Cross-brace double Compact, UltraLight 70° SB46 ST44, black, glossy)		1
27	1437919-9119	(Cross-brace double Compact, UltraLight 70° SB46 ST44, black, bronze)		1
28	1437920-0419	(Cross-brace double Compact, UltraLight 70° SB46 ST46, silver grey)		1

**(Cross brace to frame 70°, SB42-50)**

28	1437920-0424	(Cross-brace double Compact, UltraLight 70° SB46 ST46, cyber green)	01.01.2004 → 31.12.2009	1
28	1437920-0427	(Cross-brace double Compact, UltraLight 70° SB46 ST46, mystic purple)	01.01.2004 → 31.12.2009	1
28	1437920-0442	(Cross-brace double Compact, UltraLight 70° SB46 ST46, night shimmer)	01.01.2009 →	1
28	1437920-0443	(Cross-brace double Compact, UltraLight 70° SB46 ST46, pearly sapphire)	01.01.2004 → 31.12.2009	1
28	1437920-3524	(Cross-brace double Compact, UltraLight 70° SB46 ST46, royal red)		1
28	1437920-5969	(Cross-brace double Compact, UltraLight 70° SB46 ST46, royal blue)		1
28	1437920-9005	KRYSS DOBBEL 70G SB46 SD46 UL COMPACT		1
28	1437920-9119	(Cross-brace double Compact, UltraLight 70° SB46 ST46, black, bronze)		1
29	1437921-0419	(Cross-brace double Compact, UltraLight 70° SB46 ST48, silver grey)		1
29	1437921-0424	(Cross-brace double Compact, UltraLight 70° SB46 ST48, cyber green)	01.01.2004 → 31.12.2009	1
29	1437921-0427	(Cross-brace double Compact, UltraLight 70° SB46 ST48, mystic purple)	01.01.2004 → 31.12.2009	1
29	1437921-0442	(Cross-brace double Compact, UltraLight 70° SB46 ST48, night shimmer)	01.01.2009 →	1
29	1437921-0443	(Cross-brace double Compact, UltraLight 70° SB46 ST48, pearly sapphire)	01.01.2004 → 31.12.2009	1
29	1437921-3524	(Cross-brace double Compact, UltraLight 70° SB46 ST48, royal red)		1
29	1437921-5969	(Cross-brace double Compact, UltraLight 70° SB46 ST48, royal blue)		1
29	1437921-9005	(Cross-brace double Compact, UltraLight 70° SB46 ST48, black, glossy)		1
29	1437921-9119	(Cross-brace double Compact, UltraLight 70° SB46 ST48, black, bronze)		1
30	1437922-0419	(Cross-brace double Compact, UltraLight 70° SB46 ST50, silver grey)		1
30	1437922-0424	(Cross-brace double Compact, UltraLight 70° SB46 ST50, cyber green)	01.01.2004 → 31.12.2009	1
30	1437922-0427	(Cross-brace double Compact, UltraLight 70° SB46 ST50, mystic purple)	01.01.2004 → 31.12.2009	1
30	1437922-0442	(Cross-brace double Compact, UltraLight 70° SB46 ST50, night shimmer)	01.01.2009 →	1
30	1437922-0443	(Cross-brace double Compact, UltraLight 70° SB46 ST50, pearly sapphire)	01.01.2004 → 31.12.2009	1
30	1437922-3524	(Cross-brace double Compact, UltraLight 70° SB46 ST50, royal red)		1
30	1437922-5969	(Cross-brace double Compact, UltraLight 70° SB46 ST50, royal blue)		1
30	1437922-9005	(Cross-brace double Compact, UltraLight 70° SB46 ST50, black, glossy)		1
30	1437922-9119	(Cross-brace double Compact, UltraLight 70° SB46 ST50, black, bronze)		1
31	1437923-0419	(Cross-brace double Compact, UltraLight 70° SB48 ST32, silver grey)		1
31	1437923-0424	(Cross-brace double Compact, UltraLight 70° SB48 ST32, cyber green)	01.01.2004 → 31.12.2009	1
31	1437923-0427	(Cross-brace double Compact, UltraLight 70° SB48 ST32, mystic purple)	01.01.2004 → 31.12.2009	1
31	1437923-0442	(Cross-brace double Compact, UltraLight 70° SB48 ST32, night shimmer)	01.01.2009 →	1
31	1437923-0443	(Cross-brace double Compact, UltraLight 70° SB48 ST32, pearly sapphire)	01.01.2004 → 31.12.2009	1
31	1437923-3524	(Cross-brace double Compact, UltraLight 70° SB48 ST32, royal red)		1
31	1437923-5969	(Cross-brace double Compact, UltraLight 70° SB48 ST32, royal blue)		1
31	1437923-9005	(Cross-brace double Compact, UltraLight 70° SB48 ST32, black, glossy)		1
31	1437923-9119	(Cross-brace double Compact, UltraLight 70° SB48 ST32, black, bronze)		1
32	1437924-0419	(Cross-brace double Compact, UltraLight 70° SB48 ST34, silver grey)		1
32	1437924-0424	(Cross-brace double Compact, UltraLight 70° SB48 ST34, cyber green)	01.01.2004 → 31.12.2009	1
32	1437924-0427	(Cross-brace double Compact, UltraLight 70° SB48 ST34, mystic purple)	01.01.2004 → 31.12.2009	1
32	1437924-0442	(Cross-brace double Compact, UltraLight 70° SB48 ST34, night shimmer)	01.01.2009 →	1
32	1437924-0443	(Cross-brace double Compact, UltraLight 70° SB48 ST34, pearly sapphire)	01.01.2004 → 31.12.2009	1
32	1437924-3524	(Cross-brace double Compact, UltraLight 70° SB48 ST34, royal red)		1
32	1437924-5969	(Cross-brace double Compact, UltraLight 70° SB48 ST34, royal blue)		1
32	1437924-9005	(Cross-brace double Compact, UltraLight 70° SB48 ST34, black, glossy)		1
32	1437924-9119	(Cross-brace double Compact, UltraLight 70° SB48 ST34, black, bronze)		1

**(Cross brace to frame 70°, SB42-50)**

33	1437925-0419	(Cross-brace double Compact, UltraLight 70° SB48 ST36, silver grey)		1
33	1437925-0424	(Cross-brace double Compact, UltraLight 70° SB48 ST36, cyber green)	01.01.2004 → 31.12.2009	1
33	1437925-0427	(Cross-brace double Compact, UltraLight 70° SB48 ST36, mystic purple)	01.01.2004 → 31.12.2009	1
33	1437925-0442	(Cross-brace double Compact, UltraLight 70° SB48 ST36, night shimmer)	01.01.2009 →	1
33	1437925-0443	(Cross-brace double Compact, UltraLight 70° SB48 ST36, pearly sapphire)	01.01.2004 → 31.12.2009	1
33	1437925-3524	(Cross-brace double Compact, UltraLight 70° SB48 ST36, royal red)		1
33	1437925-5969	(Cross-brace double Compact, UltraLight 70° SB48 ST36, royal blue)		1
33	1437925-9005	(Cross-brace double Compact, UltraLight 70° SB48 ST36, black, glossy)		1
33	1437925-9119	(Cross-brace double Compact, UltraLight 70° SB48 ST36, black, bronze)		1
34	1437926-0419	(Cross-brace double Compact, UltraLight 70° SB48 ST38, silver grey)		1
34	1437926-0424	(Cross-brace double Compact, UltraLight 70° SB48 ST38, cyber green)	01.01.2004 → 31.12.2009	1
34	1437926-0427	(Cross-brace double Compact, UltraLight 70° SB48 ST38, mystic purple)	01.01.2004 → 31.12.2009	1
34	1437926-0442	(Cross-brace double Compact, UltraLight 70° SB48 ST38, night shimmer)	01.01.2009 →	1
34	1437926-0443	(Cross-brace double Compact, UltraLight 70° SB48 ST38, pearly sapphire)	01.01.2004 → 31.12.2009	1
34	1437926-3524	(Cross-brace double Compact, UltraLight 70° SB48 ST38, royal red)		1
34	1437926-5969	(Cross-brace double Compact, UltraLight 70° SB48 ST38, royal blue)		1
34	1437926-9005	(Cross-brace double Compact, UltraLight 70° SB48 ST38, black, glossy)		1
34	1437926-9119	(Cross-brace double Compact, UltraLight 70° SB48 ST38, black, bronze)		1
35	1437927-0419	(Cross-brace double Compact, UltraLight 70° SB48 ST40, silver grey)		1
35	1437927-0424	(Cross-brace double Compact, UltraLight 70° SB48 ST40, cyber green)	01.01.2004 → 31.12.2009	1
35	1437927-0427	(Cross-brace double Compact, UltraLight 70° SB48 ST40, mystic purple)	01.01.2004 → 31.12.2009	1
35	1437927-0442	(Cross-brace double Compact, UltraLight 70° SB48 ST40, night shimmer)	01.01.2009 →	1
35	1437927-0443	(Cross-brace double Compact, UltraLight 70° SB48 ST40, pearly sapphire)	01.01.2004 → 31.12.2009	1
35	1437927-3524	(Cross-brace double Compact, UltraLight 70° SB48 ST40, royal red)		1
35	1437927-5969	(Cross-brace double Compact, UltraLight 70° SB48 ST40, royal blue)		1
35	1437927-9005	(Cross-brace double Compact, UltraLight 70° SB48 ST40, black, glossy)		1
35	1437927-9119	(Cross-brace double Compact, UltraLight 70° SB48 ST40, black, bronze)		1
36	1437928-0419	(Cross-brace double Compact, UltraLight 70° SB48 ST42, silver grey)		1
36	1437928-0424	(Cross-brace double Compact, UltraLight 70° SB48 ST42, cyber green)	01.01.2004 → 31.12.2009	1
36	1437928-0427	(Cross-brace double Compact, UltraLight 70° SB48 ST42, mystic purple)	01.01.2004 → 31.12.2009	1
36	1437928-0442	(Cross-brace double Compact, UltraLight 70° SB48 ST42, night shimmer)	01.01.2009 →	1
36	1437928-0443	(Cross-brace double Compact, UltraLight 70° SB48 ST42, pearly sapphire)	01.01.2004 → 31.12.2009	1
36	1437928-3524	(Cross-brace double Compact, UltraLight 70° SB48 ST42, royal red)		1
36	1437928-5969	(Cross-brace double Compact, UltraLight 70° SB48 ST42, royal blue)		1
36	1437928-9005	(Cross-brace double Compact, UltraLight 70° SB48 ST42, black, glossy)		1
36	1437928-9119	(Cross-brace double Compact, UltraLight 70° SB48 ST42, black, bronze)		1
37	1437929-0419	(Cross-brace double Compact, UltraLight 70° SB48 ST44, silver grey)		1
37	1437929-0424	(Cross-brace double Compact, UltraLight 70° SB48 ST44, cyber green)	01.01.2004 → 31.12.2009	1
37	1437929-0427	(Cross-brace double Compact, UltraLight 70° SB48 ST44, mystic purple)	01.01.2004 → 31.12.2009	1
37	1437929-0442	(Cross-brace double Compact, UltraLight 70° SB48 ST44, night shimmer)	01.01.2009 →	1
37	1437929-0443	(Cross-brace double Compact, UltraLight 70° SB48 ST44, pearly sapphire)	01.01.2004 → 31.12.2009	1
37	1437929-3524	(Cross-brace double Compact, UltraLight 70° SB48 ST44, royal red)		1
37	1437929-5969	(Cross-brace double Compact, UltraLight 70° SB48 ST44, royal blue)		1
37	1437929-9005	(Cross-brace double Compact, UltraLight 70° SB48 ST44, black, glossy)		1



**(Cross brace to frame 70°, SB42-50)**

37	1437929-9119	(Cross-brace double Compact, UltraLight 70° SB48 ST44, black, bronze)		1
38	1437930-0419	(Cross-brace double Compact, UltraLight 70° SB48 ST46, silver grey)		1
38	1437930-0424	(Cross-brace double Compact, UltraLight 70° SB48 ST46, cyber green)	01.01.2004 → 31.12.2009	1
38	1437930-0427	(Cross-brace double Compact, UltraLight 70° SB48 ST46, mystic purple)	01.01.2004 → 31.12.2009	1
38	1437930-0442	(Cross-brace double Compact, UltraLight 70° SB48 ST46, night shimmer)	01.01.2009 →	1
38	1437930-0443	(Cross-brace double Compact, UltraLight 70° SB48 ST46, pearly sapphire)	01.01.2004 → 31.12.2009	1
38	1437930-3524	(Cross-brace double Compact, UltraLight 70° SB48 ST46, royal red)		1
38	1437930-5969	(Cross-brace double Compact, UltraLight 70° SB48 ST46, royal blue)		1
38	1437930-9005	(Cross-brace double Compact, UltraLight 70° SB48 ST46, black, glossy)		1
38	1437930-9119	(Cross-brace double Compact, UltraLight 70° SB48 ST46, black, bronze)		1
39	1437931-0419	(Cross-brace double Compact, UltraLight 70° SB48 ST48, silver grey)		1
39	1437931-0424	(Cross-brace double Compact, UltraLight 70° SB48 ST48, cyber green)	01.01.2004 → 31.12.2009	1
39	1437931-0427	(Cross-brace double Compact, UltraLight 70° SB48 ST48, mystic purple)	01.01.2004 → 31.12.2009	1
39	1437931-0442	(Cross-brace double Compact, UltraLight 70° SB48 ST48, night shimmer)	01.01.2009 →	1
39	1437931-0443	(Cross-brace double Compact, UltraLight 70° SB48 ST48, pearly sapphire)	01.01.2004 → 31.12.2009	1
39	1437931-3524	(Cross-brace double Compact, UltraLight 70° SB48 ST48, royal red)		1
39	1437931-5969	(Cross-brace double Compact, UltraLight 70° SB48 ST48, royal blue)		1
39	1437931-9005	(Cross-brace double Compact, UltraLight 70° SB48 ST48, black, glossy)		1
39	1437931-9119	(Cross-brace double Compact, UltraLight 70° SB48 ST48, black, bronze)		1
40	1437932-0419	(Cross-brace double Compact, UltraLight 70° SB48 ST50, silver grey)		1
40	1437932-0424	(Cross-brace double Compact, UltraLight 70° SB48 ST50, cyber green)	01.01.2004 → 31.12.2009	1
40	1437932-0427	(Cross-brace double Compact, UltraLight 70° SB48 ST50, mystic purple)	01.01.2004 → 31.12.2009	1
40	1437932-0442	(Cross-brace double Compact, UltraLight 70° SB48 ST50, night shimmer)	01.01.2009 →	1
40	1437932-0443	(Cross-brace double Compact, UltraLight 70° SB48 ST50, pearly sapphire)	01.01.2004 → 31.12.2009	1
40	1437932-3524	(Cross-brace double Compact, UltraLight 70° SB48 ST50, royal red)		1
40	1437932-5969	(Cross-brace double Compact, UltraLight 70° SB48 ST50, royal blue)		1
40	1437932-9005	(Cross-brace double Compact, UltraLight 70° SB48 ST50, black, glossy)		1
40	1437932-9119	(Cross-brace double Compact, UltraLight 70° SB48 ST50, black, bronze)		1
41	1437933-0419	(Cross-brace double Compact, UltraLight 70° SB50 ST32, silver grey)		1
41	1437933-0424	(Cross-brace double Compact, UltraLight 70° SB50 ST32, cyber green)	01.01.2004 → 31.12.2009	1
41	1437933-0427	(Cross-brace double Compact, UltraLight 70° SB50 ST32, mystic purple)	01.01.2004 → 31.12.2009	1
41	1437933-0442	(Cross-brace double Compact, UltraLight 70° SB50 ST32, night shimmer)	01.01.2009 →	1
41	1437933-0443	(Cross-brace double Compact, UltraLight 70° SB50 ST32, pearly sapphire)	01.01.2004 → 31.12.2009	1
41	1437933-3524	(Cross-brace double Compact, UltraLight 70° SB50 ST32, royal red)		1
41	1437933-5969	(Cross-brace double Compact, UltraLight 70° SB50 ST32, royal blue)		1
41	1437933-9005	(Cross-brace double Compact, UltraLight 70° SB50 ST32, black, glossy)		1
41	1437933-9119	(Cross-brace double Compact, UltraLight 70° SB50 ST32, black, bronze)		1
42	1437934-0419	(Cross-brace double Compact, UltraLight 70° SB50 ST34, silver grey)		1
42	1437934-0424	(Cross-brace double Compact, UltraLight 70° SB50 ST34, cyber green)	01.01.2004 → 31.12.2009	1
42	1437934-0427	(Cross-brace double Compact, UltraLight 70° SB50 ST34, mystic purple)	01.01.2004 → 31.12.2009	1
42	1437934-0442	(Cross-brace double Compact, UltraLight 70° SB50 ST34, night shimmer)	01.01.2009 →	1
42	1437934-0443	(Cross-brace double Compact, UltraLight 70° SB50 ST34, pearly sapphire)	01.01.2004 → 31.12.2009	1
42	1437934-3524	(Cross-brace double Compact, UltraLight 70° SB50 ST34, royal red)		1
42	1437934-5969	(Cross-brace double Compact, UltraLight 70° SB50 ST34, royal blue)		1

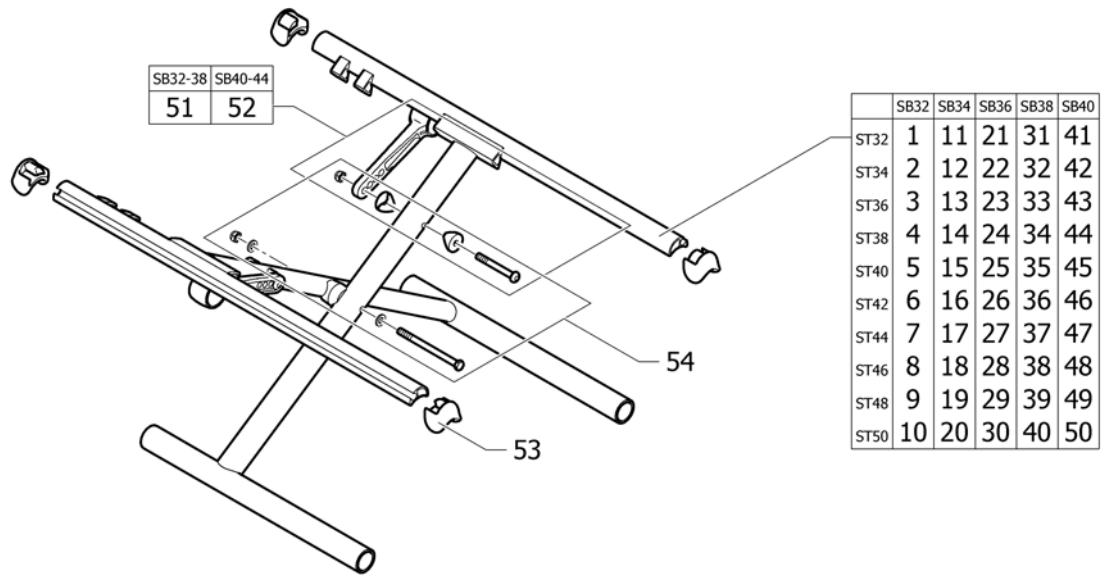
**(Cross brace to frame 70°, SB42-50)**

42	1437934-9005	(Cross-brace double Compact, UltraLight 70° SB50 ST34, black, glossy)		1
42	1437934-9119	(Cross-brace double Compact, UltraLight 70° SB50 ST34, black, bronze)		1
43	1437935-0419	(Cross-brace double Compact, UltraLight 70° SB50 ST36, silver grey)		1
43	1437935-0424	(Cross-brace double Compact, UltraLight 70° SB50 ST36, cyber green)	01.01.2004 → 31.12.2009	1
43	1437935-0427	(Cross-brace double Compact, UltraLight 70° SB50 ST36, mystic purple)	01.01.2004 → 31.12.2009	1
43	1437935-0442	(Cross-brace double Compact, UltraLight 70° SB50 ST36, night shimmer)	01.01.2009 →	1
43	1437935-0443	(Cross-brace double Compact, UltraLight 70° SB50 ST36, pearly sapphire)	01.01.2004 → 31.12.2009	1
43	1437935-3524	(Cross-brace double Compact, UltraLight 70° SB50 ST36, royal red)		1
43	1437935-5969	(Cross-brace double Compact, UltraLight 70° SB50 ST36, royal blue)		1
43	1437935-9005	(Cross-brace double Compact, UltraLight 70° SB50 ST36, black, glossy)		1
43	1437935-9119	(Cross-brace double Compact, UltraLight 70° SB50 ST36, black, bronze)		1
44	1437936-0419	(Cross-brace double Compact, UltraLight 70° SB50 ST38, silver grey)		1
44	1437936-0424	(Cross-brace double Compact, UltraLight 70° SB50 ST38, cyber green)	01.01.2004 → 31.12.2009	1
44	1437936-0427	(Cross-brace double Compact, UltraLight 70° SB50 ST38, mystic purple)	01.01.2004 → 31.12.2009	1
44	1437936-0442	(Cross-brace double Compact, UltraLight 70° SB50 ST38, night shimmer)	01.01.2009 →	1
44	1437936-0443	(Cross-brace double Compact, UltraLight 70° SB50 ST38, pearly sapphire)	01.01.2004 → 31.12.2009	1
44	1437936-3524	(Cross-brace double Compact, UltraLight 70° SB50 ST38, royal red)		1
44	1437936-5969	(Cross-brace double Compact, UltraLight 70° SB50 ST38, royal blue)		1
44	1437936-9005	(Cross-brace double Compact, UltraLight 70° SB50 ST38, black, glossy)		1
44	1437936-9119	(Cross-brace double Compact, UltraLight 70° SB50 ST38, black, bronze)		1
45	1437937-0419	(Cross-brace double Compact, UltraLight 70° SB50 ST40, silver grey)		1
45	1437937-0424	(Cross-brace double Compact, UltraLight 70° SB50 ST40, cyber green)	01.01.2004 → 31.12.2009	1
45	1437937-0427	(Cross-brace double Compact, UltraLight 70° SB50 ST40, mystic purple)	01.01.2004 → 31.12.2009	1
45	1437937-0442	(Cross-brace double Compact, UltraLight 70° SB50 ST40, night shimmer)	01.01.2009 →	1
45	1437937-0443	(Cross-brace double Compact, UltraLight 70° SB50 ST40, pearly sapphire)	01.01.2004 → 31.12.2009	1
45	1437937-3524	(Cross-brace double Compact, UltraLight 70° SB50 ST40, royal red)		1
45	1437937-5969	(Cross-brace double Compact, UltraLight 70° SB50 ST40, royal blue)		1
45	1437937-9005	(Cross-brace double Compact, UltraLight 70° SB50 ST40, black, glossy)		1
45	1437937-9119	(Cross-brace double Compact, UltraLight 70° SB50 ST40, black, bronze)		1
46	1437938-0419	(Cross-brace double Compact, UltraLight 70° SB50 ST42, silver grey)		1
46	1437938-0424	(Cross-brace double Compact, UltraLight 70° SB50 ST42, cyber green)	01.01.2004 → 31.12.2009	1
46	1437938-0427	(Cross-brace double Compact, UltraLight 70° SB50 ST42, mystic purple)	01.01.2004 → 31.12.2009	1
46	1437938-0442	(Cross-brace double Compact, UltraLight 70° SB50 ST42, night shimmer)	01.01.2009 →	1
46	1437938-0443	(Cross-brace double Compact, UltraLight 70° SB50 ST42, pearly sapphire)	01.01.2004 → 31.12.2009	1
46	1437938-3524	(Cross-brace double Compact, UltraLight 70° SB50 ST42, royal red)		1
46	1437938-5969	(Cross-brace double Compact, UltraLight 70° SB50 ST42, royal blue)		1
46	1437938-9005	(Cross-brace double Compact, UltraLight 70° SB50 ST42, black, glossy)		1
46	1437938-9119	(Cross-brace double Compact, UltraLight 70° SB50 ST42, black, bronze)		1
47	1437939-0419	(Cross-brace double Compact, UltraLight 70° SB50 ST44, silver grey)		1
47	1437939-0424	(Cross-brace double Compact, UltraLight 70° SB50 ST44, cyber green)	01.01.2004 → 31.12.2009	1
47	1437939-0427	(Cross-brace double Compact, UltraLight 70° SB50 ST44, mystic purple)	01.01.2004 → 31.12.2009	1
47	1437939-0442	(Cross-brace double Compact, UltraLight 70° SB50 ST44, night shimmer)	01.01.2009 →	1
47	1437939-0443	(Cross-brace double Compact, UltraLight 70° SB50 ST44, pearly sapphire)	01.01.2004 → 31.12.2009	1
47	1437939-3524	(Cross-brace double Compact, UltraLight 70° SB50 ST44, royal red)		1

**(Cross brace to frame 70°, SB42-50)**

47	1437939-5969	(Cross-brace double Compact, UltraLight 70° SB50 ST44, royal blue)		1
47	1437939-9005	KRYSS DOBBEL 70G SB50 SD44 UL COMPACT		1
47	1437939-9119	(Cross-brace double Compact, UltraLight 70° SB50 ST44, black, bronze)		1
48	1437940-0419	(Cross-brace double Compact, UltraLight 70° SB50 ST46, silver grey)		1
48	1437940-0424	(Cross-brace double Compact, UltraLight 70° SB50 ST46, cyber green)	01.01.2004 → 31.12.2009	1
48	1437940-0427	(Cross-brace double Compact, UltraLight 70° SB50 ST46, mystic purple)	01.01.2004 → 31.12.2009	1
48	1437940-0442	(Cross-brace double Compact, UltraLight 70° SB50 ST46, night shimmer)	01.01.2009 →	1
48	1437940-0443	(Cross-brace double Compact, UltraLight 70° SB50 ST46, pearly sapphire)	01.01.2004 → 31.12.2009	1
48	1437940-3524	(Cross-brace double Compact, UltraLight 70° SB50 ST46, royal red)		1
48	1437940-5969	(Cross-brace double Compact, UltraLight 70° SB50 ST46, royal blue)		1
48	1437940-9005	(Cross-brace double Compact, UltraLight 70° SB50 ST46, black, glossy)		1
48	1437940-9119	(Cross-brace double Compact, UltraLight 70° SB50 ST46, black, bronze)		1
49	1437941-0419	(Cross-brace double Compact, UltraLight 70° SB50 ST48, silver grey)		1
49	1437941-0424	(Cross-brace double Compact, UltraLight 70° SB50 ST48, cyber green)	01.01.2004 → 31.12.2009	1
49	1437941-0427	(Cross-brace double Compact, UltraLight 70° SB50 ST48, mystic purple)	01.01.2004 → 31.12.2009	1
49	1437941-0442	(Cross-brace double Compact, UltraLight 70° SB50 ST48, night shimmer)	01.01.2009 →	1
49	1437941-0443	(Cross-brace double Compact, UltraLight 70° SB50 ST48, pearly sapphire)	01.01.2004 → 31.12.2009	1
49	1437941-3524	(Cross-brace double Compact, UltraLight 70° SB50 ST48, royal red)		1
49	1437941-5969	(Cross-brace double Compact, UltraLight 70° SB50 ST48, royal blue)		1
49	1437941-9005	(Cross-brace double Compact, UltraLight 70° SB50 ST48, black, glossy)		1
49	1437941-9119	(Cross-brace double Compact, UltraLight 70° SB50 ST48, black, bronze)		1
50	1437942-0419	(Cross-brace double Compact, UltraLight 70° SB50 ST50, silver grey)		1
50	1437942-0424	(Cross-brace double Compact, UltraLight 70° SB50 ST50, cyber green)	01.01.2004 → 31.12.2009	1
50	1437942-0427	(Cross-brace double Compact, UltraLight 70° SB50 ST50, mystic purple)	01.01.2004 → 31.12.2009	1
50	1437942-0442	(Cross-brace double Compact, UltraLight 70° SB50 ST50, night shimmer)	01.01.2009 →	1
50	1437942-0443	(Cross-brace double Compact, UltraLight 70° SB50 ST50, pearly sapphire)	01.01.2004 → 31.12.2009	1
50	1437942-3524	(Cross-brace double Compact, UltraLight 70° SB50 ST50, royal red)		1
50	1437942-5969	(Cross-brace double Compact, UltraLight 70° SB50 ST50, royal blue)		1
50	1437942-9005	(Cross-brace double Compact, UltraLight 70° SB50 ST50, black, glossy)		1
50	1437942-9119	(Cross-brace double Compact, UltraLight 70° SB50 ST50, black, bronze)		1
51	1437944	KRYSSHOLDER STAG SB 40-44 KUSCHALL ULCO		1
52	1437945	(Retaining lever SB46-50)		1
53	1507625	KLIPS/ENDESTOPPER KIT. COMPACT KUSCHALL		1
54	1439480	SKRUESETT FOR DOBBELT SETEKRYSS COMPACT 2004		1

**(Cross brace to frame 80°, SB32-40)**



1	1506667-0419	(Cross-brace single Hemi abduct., UltraLight 80° SB32 ST32, silver grey)		1
1	1506667-0424	(Cross-brace single Hemi abduct., UltraLight 80° SB32 ST32, cyber green)	01.01.2004 → 31.12.2009	1
1	1506667-0427	(Cross-brace single Hemi abduct., UltraLight 80° SB32 ST32, mystic purple)	01.01.2004 → 31.12.2009	1
1	1506667-0442	(Cross-brace single Hemi abduct., UltraLight 80° SB32 ST32, night shimmer)	01.01.2009 →	1
1	1506667-0443	(Cross-brace single Hemi abduct, UltraLight 80° SB32 ST32, pearly sapphire)	01.01.2004 → 31.12.2009	1
1	1506667-3524	(Cross-brace single Hemi abduct., UltraLight 80° SB32 ST32, royal red)		1
1	1506667-5969	(Cross-brace single Hemi abduct., UltraLight 80° SB32 ST32, royal blue)		1
1	1506667-9005	(Cross-brace single Hemi abduct., UltraLight 80° SB32 ST32, black, glossy)		1
1	1506667-9119	(Cross-brace single Hemi abduct., UltraLight 80° SB32 ST32, black, bronze)		1
2	1506668-0419	(Cross-brace single Hemi abduct., UltraLight 80° SB32 ST34, silver grey)		1
2	1506668-0424	(Cross-brace single Hemi abduct., UltraLight 80° SB32 ST34, cyber green)	01.01.2004 → 31.12.2009	1
2	1506668-0427	(Cross-brace single Hemi abduct., UltraLight 80° SB32 ST34, mystic purple)	01.01.2004 → 31.12.2009	1
2	1506668-0442	(Cross-brace single Hemi abduct., UltraLight 80° SB32 ST34, night shimmer)	01.01.2009 →	1
2	1506668-0443	(Cross-brace single Hemi abduct, UltraLight 80° SB32 ST34, pearly sapphire)	01.01.2004 → 31.12.2009	1
2	1506668-3524	(Cross-brace single Hemi abduct., UltraLight 80° SB32 ST34, royal red)		1
2	1506668-5969	(Cross-brace single Hemi abduct., UltraLight 80° SB32 ST34, royal blue)		1
2	1506668-9005	(Cross-brace single Hemi abduct., UltraLight 80° SB32 ST34, black, glossy)		1
2	1506668-9119	(Cross-brace single Hemi abduct., UltraLight 80° SB32 ST34, black, bronze)		1
3	1506669-0419	(Cross-brace single Hemi abduct., UltraLight 80° SB32 ST36, silver grey)		1
3	1506669-0424	(Cross-brace single Hemi abduct., UltraLight 80° SB32 ST36, cyber green)	01.01.2004 → 31.12.2009	1
3	1506669-0427	(Cross-brace single Hemi abduct., UltraLight 80° SB32 ST36, mystic purple)	01.01.2004 → 31.12.2009	1

**(Cross brace to frame 80°, SB32-40)**

3	1506669-0442	(Cross-brace single Hemi abduct., UltraLight 80° SB32 ST36, night shimmer)	01.01.2009 →	1
3	1506669-0443	(Cross-brace single Hemi abduct., UltraLight 80° SB32 ST36, pearly sapphire)	01.01.2004 → 31.12.2009	1
3	1506669-3524	(Cross-brace single Hemi abduct., UltraLight 80° SB32 ST36, royal red)		1
3	1506669-5969	(Cross-brace single Hemi abduct., UltraLight 80° SB32 ST36, royal blue)		1
3	1506669-9005	(Cross-brace single Hemi abduct., UltraLight 80° SB32 ST36, black, glossy)		1
3	1506669-9119	(Cross-brace single Hemi abduct., UltraLight 80° SB32 ST36, black, bronze)		1
4	1506670-0419	(Cross-brace single Hemi abduct., UltraLight 80° SB32 ST38, silver grey)		1
4	1506670-0424	(Cross-brace single Hemi abduct., UltraLight 80° SB32 ST38, cyber green)	01.01.2004 → 31.12.2009	1
4	1506670-0427	(Cross-brace single Hemi abduct., UltraLight 80° SB32 ST38, mystic purple)	01.01.2004 → 31.12.2009	1
4	1506670-0442	(Cross-brace single Hemi abduct., UltraLight 80° SB32 ST38, night shimmer)	01.01.2009 →	1
4	1506670-0443	(Cross-brace single Hemi abduct., UltraLight 80° SB32 ST38, pearly sapphire)	01.01.2004 → 31.12.2009	1
4	1506670-3524	(Cross-brace single Hemi abduct., UltraLight 80° SB32 ST38, royal red)		1
4	1506670-5969	(Cross-brace single Hemi abduct., UltraLight 80° SB32 ST38, royal blue)		1
4	1506670-9005	(Cross-brace single Hemi abduct., UltraLight 80° SB32 ST38, black, glossy)		1
4	1506670-9119	(Cross-brace single Hemi abduct., UltraLight 80° SB32 ST38, black, bronze)		1
5	1506671-0419	(Cross-brace single Hemi abduct., UltraLight 80° SB32 ST40, silver grey)		1
5	1506671-0424	(Cross-brace single Hemi abduct., UltraLight 80° SB32 ST40, cyber green)	01.01.2004 → 31.12.2009	1
5	1506671-0427	(Cross-brace single Hemi abduct., UltraLight 80° SB32 ST40, mystic purple)	01.01.2004 → 31.12.2009	1
5	1506671-0442	(Cross-brace single Hemi abduct., UltraLight 80° SB32 ST40, night shimmer)	01.01.2009 →	1
5	1506671-0443	(Cross-brace single Hemi abduct., UltraLight 80° SB32 ST40, pearly sapphire)	01.01.2004 → 31.12.2009	1
5	1506671-3524	(Cross-brace single Hemi abduct., UltraLight 80° SB32 ST40, royal red)		1
5	1506671-5969	(Cross-brace single Hemi abduct., UltraLight 80° SB32 ST40, royal blue)		1
5	1506671-9005	(Cross-brace single Hemi abduct., UltraLight 80° SB32 ST40, black, glossy)		1
5	1506671-9119	(Cross-brace single Hemi abduct., UltraLight 80° SB32 ST40, black, bronze)		1
6	1506672-0419	(Cross-brace single Hemi abduct., UltraLight 80° SB32 ST42, silver grey)		1
6	1506672-0424	(Cross-brace single Hemi abduct., UltraLight 80° SB32 ST42, cyber green)	01.01.2004 → 31.12.2009	1
6	1506672-0427	(Cross-brace single Hemi abduct., UltraLight 80° SB32 ST42, mystic purple)	01.01.2004 → 31.12.2009	1
6	1506672-0442	(Cross-brace single Hemi abduct., UltraLight 80° SB32 ST42, night shimmer)	01.01.2009 →	1
6	1506672-0443	(Cross-brace single Hemi abduct., UltraLight 80° SB32 ST42, pearly sapphire)	01.01.2004 → 31.12.2009	1
6	1506672-3524	(Cross-brace single Hemi abduct., UltraLight 80° SB32 ST42, royal red)		1
6	1506672-5969	(Cross-brace single Hemi abduct., UltraLight 80° SB32 ST42, royal blue)		1
6	1506672-9005	(Cross-brace single Hemi abduct., UltraLight 80° SB32 ST42, black, glossy)		1
6	1506672-9119	(Cross-brace single Hemi abduct., UltraLight 80° SB32 ST42, black, bronze)		1
7	1506673-0419	(Cross-brace single Hemi abduct., UltraLight 80° SB32 ST44, silver grey)		1
7	1506673-0424	(Cross-brace single Hemi abduct., UltraLight 80° SB32 ST44, cyber green)	01.01.2004 → 31.12.2009	1
7	1506673-0427	(Cross-brace single Hemi abduct., UltraLight 80° SB32 ST44, mystic purple)	01.01.2004 → 31.12.2009	1

**(Cross brace to frame 80°, SB32-40)**

7	1506673-0442	(Cross-brace single Hemi abduct., UltraLight 80° SB32 ST44, night shimmer)	01.01.2009 →	1
7	1506673-0443	(Cross-brace single Hemi abduct., UltraLight 80° SB32 ST44, pearly sapphire)	01.01.2004 → 31.12.2009	1
7	1506673-3524	(Cross-brace single Hemi abduct., UltraLight 80° SB32 ST44, royal red)		1
7	1506673-5969	(Cross-brace single Hemi abduct., UltraLight 80° SB32 ST44, royal blue)		1
7	1506673-9005	(Cross-brace single Hemi abduct., UltraLight 80° SB32 ST44, black, glossy)		1
7	1506673-9119	(Cross-brace single Hemi abduct., UltraLight 80° SB32 ST44, black, bronze)		1
8	1506674-0419	(Cross-brace single Hemi abduct., UltraLight 80° SB32 ST46, silver grey)		1
8	1506674-0424	(Cross-brace single Hemi abduct., UltraLight 80° SB32 ST46, cyber green)	01.01.2004 → 31.12.2009	1
8	1506674-0427	(Cross-brace single Hemi abduct., UltraLight 80° SB32 ST46, mystic purple)	01.01.2004 → 31.12.2009	1
8	1506674-0442	(Cross-brace single Hemi abduct., UltraLight 80° SB32 ST46, night shimmer)	01.01.2009 →	1
8	1506674-0443	(Cross-brace single Hemi abduct., UltraLight 80° SB32 ST46, pearly sapphire)	01.01.2004 → 31.12.2009	1
8	1506674-3524	(Cross-brace single Hemi abduct., UltraLight 80° SB32 ST46, royal red)		1
8	1506674-5969	(Cross-brace single Hemi abduct., UltraLight 80° SB32 ST46, royal blue)		1
8	1506674-9005	(Cross-brace single Hemi abduct., UltraLight 80° SB32 ST46, black, glossy)		1
8	1506674-9119	(Cross-brace single Hemi abduct., UltraLight 80° SB32 ST46, black, bronze)		1
9	1506675-0419	(Cross-brace single Hemi abduct., UltraLight 80° SB32 ST48, silver grey)		1
9	1506675-0424	(Cross-brace single Hemi abduct., UltraLight 80° SB32 ST48, cyber green)	01.01.2004 → 31.12.2009	1
9	1506675-0427	(Cross-brace single Hemi abduct., UltraLight 80° SB32 ST48, mystic purple)	01.01.2004 → 31.12.2009	1
9	1506675-0442	(Cross-brace single Hemi abduct., UltraLight 80° SB32 ST48, night shimmer)	01.01.2009 →	1
9	1506675-0443	(Cross-brace single Hemi abduct., UltraLight 80° SB32 ST48, pearly sapphire)	01.01.2004 → 31.12.2009	1
9	1506675-3524	(Cross-brace single Hemi abduct., UltraLight 80° SB32 ST48, royal red)		1
9	1506675-5969	(Cross-brace single Hemi abduct., UltraLight 80° SB32 ST48, royal blue)		1
9	1506675-9005	(Cross-brace single Hemi abduct., UltraLight 80° SB32 ST48, black, glossy)		1
9	1506675-9119	(Cross-brace single Hemi abduct., UltraLight 80° SB32 ST48, black, bronze)		1
10	1506676-0419	(Cross-brace single Hemi abduct., UltraLight 80° SB32 ST50, silver grey)		1
10	1506676-0424	(Cross-brace single Hemi abduct., UltraLight 80° SB32 ST50, cyber green)	01.01.2004 → 31.12.2009	1
10	1506676-0427	(Cross-brace single Hemi abduct., UltraLight 80° SB32 ST50, mystic purple)	01.01.2004 → 31.12.2009	1
10	1506676-0442	(Cross-brace single Hemi abduct., UltraLight 80° SB32 ST50, night shimmer)	01.01.2009 →	1
10	1506676-0443	(Cross-brace single Hemi abduct., UltraLight 80° SB32 ST50, pearly sapphire)	01.01.2004 → 31.12.2009	1
10	1506676-3524	(Cross-brace single Hemi abduct., UltraLight 80° SB32 ST50, royal red)		1
10	1506676-5969	(Cross-brace single Hemi abduct., UltraLight 80° SB32 ST50, royal blue)		1
10	1506676-9005	(Cross-brace single Hemi abduct., UltraLight 80° SB32 ST50, black, glossy)		1
10	1506676-9119	(Cross-brace single Hemi abduct., UltraLight 80° SB32 ST50, black, bronze)		1
11	1506677-0419	(Cross-brace single Hemi abduct., UltraLight 80° SB34 ST32, silver grey)		1
11	1506677-0424	(Cross-brace single Hemi abduct., UltraLight 80° SB34 ST32, cyber green)	01.01.2004 → 31.12.2009	1
11	1506677-0427	(Cross-brace single Hemi abduct., UltraLight 80° SB34 ST32, mystic purple)	01.01.2004 → 31.12.2009	1

**(Cross brace to frame 80°, SB32-40)**

11	1506677-0442	(Cross-brace single Hemi abduct., UltraLight 80° SB34 ST32, night shimmer)	01.01.2009 →	1
11	1506677-0443	(Cross-brace single Hemi abduct., UltraLight 80° SB34 ST32, pearly sapphire)	01.01.2004 → 31.12.2009	1
11	1506677-3524	(Cross-brace single Hemi abduct., UltraLight 80° SB34 ST32, royal red)		1
11	1506677-5969	(Cross-brace single Hemi abduct., UltraLight 80° SB34 ST32, royal blue)		1
11	1506677-9005	(Cross-brace single Hemi abduct., UltraLight 80° SB34 ST32, black, glossy)		1
11	1506677-9119	(Cross-brace single Hemi abduct., UltraLight 80° SB34 ST32, black, bronze)		1
12	1506678-0419	(Cross-brace single Hemi abduct., UltraLight 80° SB34 ST34, silver grey)		1
12	1506678-0424	(Cross-brace single Hemi abduct., UltraLight 80° SB34 ST34, cyber green)	01.01.2004 → 31.12.2009	1
12	1506678-0427	(Cross-brace single Hemi abduct., UltraLight 80° SB34 ST34, mystic purple)	01.01.2004 → 31.12.2009	1
12	1506678-0442	(Cross-brace single Hemi abduct., UltraLight 80° SB34 ST34, night shimmer)	01.01.2009 →	1
12	1506678-0443	(Cross-brace single Hemi abduct., UltraLight 80° SB34 ST34, pearly sapphire)	01.01.2004 → 31.12.2009	1
12	1506678-3524	(Cross-brace single Hemi abduct., UltraLight 80° SB34 ST34, royal red)		1
12	1506678-5969	(Cross-brace single Hemi abduct., UltraLight 80° SB34 ST34, royal blue)		1
12	1506678-9005	(Cross-brace single Hemi abduct., UltraLight 80° SB34 ST34, black, glossy)		1
12	1506678-9119	(Cross-brace single Hemi abduct., UltraLight 80° SB34 ST34, black, bronze)		1
13	1506679-0419	(Cross-brace single Hemi abduct., UltraLight 80° SB34 ST36, silver grey)		1
13	1506679-0424	(Cross-brace single Hemi abduct., UltraLight 80° SB34 ST36, cyber green)	01.01.2004 → 31.12.2009	1
13	1506679-0427	(Cross-brace single Hemi abduct., UltraLight 80° SB34 ST36, mystic purple)	01.01.2004 → 31.12.2009	1
13	1506679-0442	(Cross-brace single Hemi abduct., UltraLight 80° SB34 ST36, night shimmer)	01.01.2009 →	1
13	1506679-0443	(Cross-brace single Hemi abduct., UltraLight 80° SB34 ST36, pearly sapphire)	01.01.2004 → 31.12.2009	1
13	1506679-3524	(Cross-brace single Hemi abduct., UltraLight 80° SB34 ST36, royal red)		1
13	1506679-5969	(Cross-brace single Hemi abduct., UltraLight 80° SB34 ST36, royal blue)		1
13	1506679-9005	(Cross-brace single Hemi abduct., UltraLight 80° SB34 ST36, black, glossy)		1
13	1506679-9119	(Cross-brace single Hemi abduct., UltraLight 80° SB34 ST36, black, bronze)		1
14	1506680-0419	(Cross-brace single Hemi abduct., UltraLight 80° SB34 ST38, silver grey)		1
14	1506680-0424	(Cross-brace single Hemi abduct., UltraLight 80° SB34 ST38, cyber green)	01.01.2004 → 31.12.2009	1
14	1506680-0427	(Cross-brace single Hemi abduct., UltraLight 80° SB34 ST38, mystic purple)	01.01.2004 → 31.12.2009	1
14	1506680-0442	(Cross-brace single Hemi abduct., UltraLight 80° SB34 ST38, night shimmer)	01.01.2009 →	1
14	1506680-0443	(Cross-brace single Hemi abduct., UltraLight 80° SB34 ST38, pearly sapphire)	01.01.2004 → 31.12.2009	1
14	1506680-3524	(Cross-brace single Hemi abduct., UltraLight 80° SB34 ST38, royal red)		1
14	1506680-5969	(Cross-brace single Hemi abduct., UltraLight 80° SB34 ST38, royal blue)		1
14	1506680-9005	(Cross-brace single Hemi abduct., UltraLight 80° SB34 ST38, black, glossy)		1
14	1506680-9119	(Cross-brace single Hemi abduct., UltraLight 80° SB34 ST38, black, bronze)		1
15	1506681-0419	(Cross-brace single Hemi abduct., UltraLight 80° SB34 ST40, silver grey)		1
15	1506681-0424	(Cross-brace single Hemi abduct., UltraLight 80° SB34 ST40, cyber green)	01.01.2004 → 31.12.2009	1
15	1506681-0427	(Cross-brace single Hemi abduct., UltraLight 80° SB34 ST40, mystic purple)	01.01.2004 → 31.12.2009	1

**(Cross brace to frame 80°, SB32-40)**

15	1506681-0442	(Cross-brace single Hemi abduct., UltraLight 80° SB34 ST40, night shimmer)	01.01.2009 →	1
15	1506681-0443	(Cross-brace single Hemi abduct., UltraLight 80° SB34 ST40, pearly sapphire)	01.01.2004 → 31.12.2009	1
15	1506681-3524	(Cross-brace single Hemi abduct., UltraLight 80° SB34 ST40, royal red)		1
15	1506681-5969	(Cross-brace single Hemi abduct., UltraLight 80° SB34 ST40, royal blue)		1
15	1506681-9005	(Cross-brace single Hemi abduct., UltraLight 80° SB34 ST40, black, glossy)		1
15	1506681-9119	(Cross-brace single Hemi abduct., UltraLight 80° SB34 ST40, black, bronze)		1
16	1506682-0419	(Cross-brace single Hemi abduct., UltraLight 80° SB34 ST42, silver grey)		1
16	1506682-0424	(Cross-brace single Hemi abduct., UltraLight 80° SB34 ST42, cyber green)	01.01.2004 → 31.12.2009	1
16	1506682-0427	(Cross-brace single Hemi abduct., UltraLight 80° SB34 ST42, mystic purple)	01.01.2004 → 31.12.2009	1
16	1506682-0442	(Cross-brace single Hemi abduct., UltraLight 80° SB34 ST42, night shimmer)	01.01.2009 →	1
16	1506682-0443	(Cross-brace single Hemi abduct., UltraLight 80° SB34 ST42, pearly sapphire)	01.01.2004 → 31.12.2009	1
16	1506682-3524	(Cross-brace single Hemi abduct., UltraLight 80° SB34 ST42, royal red)		1
16	1506682-5969	(Cross-brace single Hemi abduct., UltraLight 80° SB34 ST42, royal blue)		1
16	1506682-9005	(Cross-brace single Hemi abduct., UltraLight 80° SB34 ST42, black, glossy)		1
16	1506682-9119	(Cross-brace single Hemi abduct., UltraLight 80° SB34 ST42, black, bronze)		1
17	1506683-0419	(Cross-brace single Hemi abduct., UltraLight 80° SB34 ST44, silver grey)		1
17	1506683-0424	(Cross-brace single Hemi abduct., UltraLight 80° SB34 ST44, cyber green)	01.01.2004 → 31.12.2009	1
17	1506683-0427	(Cross-brace single Hemi abduct., UltraLight 80° SB34 ST44, mystic purple)	01.01.2004 → 31.12.2009	1
17	1506683-0442	(Cross-brace single Hemi abduct., UltraLight 80° SB34 ST44, night shimmer)	01.01.2009 →	1
17	1506683-0443	(Cross-brace single Hemi abduct., UltraLight 80° SB34 ST44, pearly sapphire)	01.01.2004 → 31.12.2009	1
17	1506683-3524	(Cross-brace single Hemi abduct., UltraLight 80° SB34 ST44, royal red)		1
17	1506683-5969	(Cross-brace single Hemi abduct., UltraLight 80° SB34 ST44, royal blue)		1
17	1506683-9005	(Cross-brace single Hemi abduct., UltraLight 80° SB34 ST44, black, glossy)		1
17	1506683-9119	(Cross-brace single Hemi abduct., UltraLight 80° SB34 ST44, black, bronze)		1
18	1506684-0419	(Cross-brace single Hemi abduct., UltraLight 80° SB34 ST46, silver grey)		1
18	1506684-0424	(Cross-brace single Hemi abduct., UltraLight 80° SB34 ST46, cyber green)	01.01.2004 → 31.12.2009	1
18	1506684-0427	(Cross-brace single Hemi abduct., UltraLight 80° SB34 ST46, mystic purple)	01.01.2004 → 31.12.2009	1
18	1506684-0442	(Cross-brace single Hemi abduct., UltraLight 80° SB34 ST46, night shimmer)	01.01.2009 →	1
18	1506684-0443	(Cross-brace single Hemi abduct., UltraLight 80° SB34 ST46, pearly sapphire)	01.01.2004 → 31.12.2009	1
18	1506684-3524	(Cross-brace single Hemi abduct., UltraLight 80° SB34 ST46, royal red)		1
18	1506684-5969	(Cross-brace single Hemi abduct., UltraLight 80° SB34 ST46, royal blue)		1
18	1506684-9005	(Cross-brace single Hemi abduct., UltraLight 80° SB34 ST46, black, glossy)		1
18	1506684-9119	(Cross-brace single Hemi abduct., UltraLight 80° SB34 ST46, black, bronze)		1
19	1506685-0419	(Cross-brace single Hemi abduct., UltraLight 80° SB34 ST48, silver grey)		1
19	1506685-0424	(Cross-brace single Hemi abduct., UltraLight 80° SB34 ST48, cyber green)	01.01.2004 → 31.12.2009	1
19	1506685-0427	(Cross-brace single Hemi abduct., UltraLight 80° SB34 ST48, mystic purple)	01.01.2004 → 31.12.2009	1



**(Cross brace to frame 80°, SB32-40)**

19	1506685-0442	(Cross-brace single Hemi abduct., UltraLight 80° SB34 ST48, night shimmer)	01.01.2009 →	1
19	1506685-0443	(Cross-brace single Hemi abduct., UltraLight 80° SB34 ST48, pearly sapphire)	01.01.2004 → 31.12.2009	1
19	1506685-3524	(Cross-brace single Hemi abduct., UltraLight 80° SB34 ST48, royal red)		1
19	1506685-5969	(Cross-brace single Hemi abduct., UltraLight 80° SB34 ST48, royal blue)		1
19	1506685-9005	(Cross-brace single Hemi abduct., UltraLight 80° SB34 ST48, black, glossy)		1
19	1506685-9119	(Cross-brace single Hemi abduct., UltraLight 80° SB34 ST48, black, bronze)		1
20	1506686-0419	(Cross-brace single Hemi abduct., UltraLight 80° SB34 ST50, silver grey)		1
20	1506686-0424	(Cross-brace single Hemi abduct., UltraLight 80° SB34 ST50, cyber green)	01.01.2004 → 31.12.2009	1
20	1506686-0427	(Cross-brace single Hemi abduct., UltraLight 80° SB34 ST50, mystic purple)	01.01.2004 → 31.12.2009	1
20	1506686-0442	(Cross-brace single Hemi abduct., UltraLight 80° SB34 ST50, night shimmer)	01.01.2009 →	1
20	1506686-0443	(Cross-brace single Hemi abduct., UltraLight 80° SB34 ST50, pearly sapphire)	01.01.2004 → 31.12.2009	1
20	1506686-3524	(Cross-brace single Hemi abduct., UltraLight 80° SB34 ST50, royal red)		1
20	1506686-5969	(Cross-brace single Hemi abduct., UltraLight 80° SB34 ST50, royal blue)		1
20	1506686-9005	(Cross-brace single Hemi abduct., UltraLight 80° SB34 ST50, black, glossy)		1
20	1506686-9119	(Cross-brace single Hemi abduct., UltraLight 80° SB34 ST50, black, bronze)		1
21	1506687-0419	(Cross-brace single Hemi abduct., UltraLight 80° SB36 ST32, silver grey)		1
21	1506687-0424	(Cross-brace single Hemi abduct., UltraLight 80° SB36 ST32, cyber green)	01.01.2004 → 31.12.2009	1
21	1506687-0427	(Cross-brace single Hemi abduct., UltraLight 80° SB36 ST32, mystic purple)	01.01.2004 → 31.12.2009	1
21	1506687-0442	(Cross-brace single Hemi abduct., UltraLight 80° SB36 ST32, night shimmer)	01.01.2009 →	1
21	1506687-0443	(Cross-brace single Hemi abduct., UltraLight 80° SB36 ST32, pearly sapphire)	01.01.2004 → 31.12.2009	1
21	1506687-3524	(Cross-brace single Hemi abduct., UltraLight 80° SB36 ST32, royal red)		1
21	1506687-5969	(Cross-brace single Hemi abduct., UltraLight 80° SB36 ST32, royal blue)		1
21	1506687-9005	(Cross-brace single Hemi abduct., UltraLight 80° SB36 ST32, black, glossy)		1
21	1506687-9119	(Cross-brace single Hemi abduct., UltraLight 80° SB36 ST32, black, bronze)		1
22	1506688-0419	(Cross-brace single Hemi abduct., UltraLight 80° SB36 ST34, silver grey)		1
22	1506688-0424	(Cross-brace single Hemi abduct., UltraLight 80° SB36 ST34, cyber green)	01.01.2004 → 31.12.2009	1
22	1506688-0427	(Cross-brace single Hemi abduct., UltraLight 80° SB36 ST34, mystic purple)	01.01.2004 → 31.12.2009	1
22	1506688-0442	(Cross-brace single Hemi abduct., UltraLight 80° SB36 ST34, night shimmer)	01.01.2009 →	1
22	1506688-0443	(Cross-brace single Hemi abduct., UltraLight 80° SB36 ST34, pearly sapphire)	01.01.2004 → 31.12.2009	1
22	1506688-3524	(Cross-brace single Hemi abduct., UltraLight 80° SB36 ST34, royal red)		1
22	1506688-5969	(Cross-brace single Hemi abduct., UltraLight 80° SB36 ST34, royal blue)		1
22	1506688-9005	(Cross-brace single Hemi abduct., UltraLight 80° SB36 ST34, black, glossy)		1
22	1506688-9119	(Cross-brace single Hemi abduct., UltraLight 80° SB36 ST34, black, bronze)		1
23	1506704-0419	(Cross-brace single Hemi abduct., UltraLight 80° SB36 ST36, silver grey)		1
23	1506704-0424	(Cross-brace single Hemi abduct., UltraLight 80° SB36 ST36, cyber green)	01.01.2004 → 31.12.2009	1
23	1506704-0427	(Cross-brace single Hemi abduct., UltraLight 80° SB36 ST36, mystic purple)	01.01.2004 → 31.12.2009	1

**(Cross brace to frame 80°, SB32-40)**

23	1506704-0442	(Cross-brace single Hemi abduct., UltraLight 80° SB36 ST36, night shimmer)	01.01.2009 →	1
23	1506704-0443	(Cross-brace single Hemi abduct., UltraLight 80° SB36 ST36, pearly sapphire)	01.01.2004 → 31.12.2009	1
23	1506704-3524	(Cross-brace single Hemi abduct., UltraLight 80° SB36 ST36, royal red)		1
23	1506704-5969	(Cross-brace single Hemi abduct., UltraLight 80° SB36 ST36, royal blue)		1
23	1506704-9005	(Cross-brace single Hemi abduct., UltraLight 80° SB36 ST36, black, glossy)		1
23	1506704-9119	(Cross-brace single Hemi abduct., UltraLight 80° SB36 ST36, black, bronze)		1
24	1506705-0419	(Cross-brace single Hemi abduct., UltraLight 80° SB36 ST38, silver grey)		1
24	1506705-0424	(Cross-brace single Hemi abduct., UltraLight 80° SB36 ST38, cyber green)	01.01.2004 → 31.12.2009	1
24	1506705-0427	(Cross-brace single Hemi abduct., UltraLight 80° SB36 ST38, mystic purple)	01.01.2004 → 31.12.2009	1
24	1506705-0442	(Cross-brace single Hemi abduct., UltraLight 80° SB36 ST38, night shimmer)	01.01.2009 →	1
24	1506705-0443	(Cross-brace single Hemi abduct., UltraLight 80° SB36 ST38, pearly sapphire)	01.01.2004 → 31.12.2009	1
24	1506705-3524	(Cross-brace single Hemi abduct., UltraLight 80° SB36 ST38, royal red)		1
24	1506705-5969	(Cross-brace single Hemi abduct., UltraLight 80° SB36 ST38, royal blue)		1
24	1506705-9005	(Cross-brace single Hemi abduct., UltraLight 80° SB36 ST38, black, glossy)		1
24	1506705-9119	(Cross-brace single Hemi abduct., UltraLight 80° SB36 ST38, black, bronze)		1
25	1506706-0419	(Cross-brace single Hemi abduct., UltraLight 80° SB36 ST40, silver grey)		1
25	1506706-0424	(Cross-brace single Hemi abduct., UltraLight 80° SB36 ST40, cyber green)	01.01.2004 → 31.12.2009	1
25	1506706-0427	(Cross-brace single Hemi abduct., UltraLight 80° SB36 ST40, mystic purple)	01.01.2004 → 31.12.2009	1
25	1506706-0442	(Cross-brace single Hemi abduct., UltraLight 80° SB36 ST40, night shimmer)	01.01.2009 →	1
25	1506706-0443	(Cross-brace single Hemi abduct., UltraLight 80° SB36 ST40, pearly sapphire)	01.01.2004 → 31.12.2009	1
25	1506706-3524	(Cross-brace single Hemi abduct., UltraLight 80° SB36 ST40, royal red)		1
25	1506706-5969	(Cross-brace single Hemi abduct., UltraLight 80° SB36 ST40, royal blue)		1
25	1506706-9005	(Cross-brace single Hemi abduct., UltraLight 80° SB36 ST40, black, glossy)		1
25	1506706-9119	(Cross-brace single Hemi abduct., UltraLight 80° SB36 ST40, black, bronze)		1
26	1506707-0419	(Cross-brace single Hemi abduct., UltraLight 80° SB36 ST42, silver grey)		1
26	1506707-0424	(Cross-brace single Hemi abduct., UltraLight 80° SB36 ST42, cyber green)	01.01.2004 → 31.12.2009	1
26	1506707-0427	(Cross-brace single Hemi abduct., UltraLight 80° SB36 ST42, mystic purple)	01.01.2004 → 31.12.2009	1
26	1506707-0442	(Cross-brace single Hemi abduct., UltraLight 80° SB36 ST42, night shimmer)	01.01.2009 →	1
26	1506707-0443	(Cross-brace single Hemi abduct., UltraLight 80° SB36 ST42, pearly sapphire)	01.01.2004 → 31.12.2009	1
26	1506707-3524	(Cross-brace single Hemi abduct., UltraLight 80° SB36 ST42, royal red)		1
26	1506707-5969	(Cross-brace single Hemi abduct., UltraLight 80° SB36 ST42, royal blue)		1
26	1506707-9005	(Cross-brace single Hemi abduct., UltraLight 80° SB36 ST42, black, glossy)		1
26	1506707-9119	(Cross-brace single Hemi abduct., UltraLight 80° SB36 ST42, black, bronze)		1
27	1506708-0419	(Cross-brace single Hemi abduct., UltraLight 80° SB36 ST44, silver grey)		1
27	1506708-0424	(Cross-brace single Hemi abduct., UltraLight 80° SB36 ST44, cyber green)	01.01.2004 → 31.12.2009	1
27	1506708-0427	(Cross-brace single Hemi abduct., UltraLight 80° SB36 ST44, mystic purple)	01.01.2004 → 31.12.2009	1

**(Cross brace to frame 80°, SB32-40)**

27	1506708-0442	(Cross-brace single Hemi abduct., UltraLight 80° SB36 ST44, night shimmer)	01.01.2009 →	1
27	1506708-0443	(Cross-brace single Hemi abduct., UltraLight 80° SB36 ST44, pearly sapphire)	01.01.2004 → 31.12.2009	1
27	1506708-3524	(Cross-brace single Hemi abduct., UltraLight 80° SB36 ST44, royal red)		1
27	1506708-5969	(Cross-brace single Hemi abduct., UltraLight 80° SB36 ST44, royal blue)		1
27	1506708-9005	(Cross-brace single Hemi abduct., UltraLight 80° SB36 ST44, black, glossy)		1
27	1506708-9119	(Cross-brace single Hemi abduct., UltraLight 80° SB36 ST44, black, bronze)		1
28	1506709-0419	(Cross-brace single Hemi abduct., UltraLight 80° SB36 ST46, silver grey)		1
28	1506709-0424	(Cross-brace single Hemi abduct., UltraLight 80° SB36 ST46, cyber green)	01.01.2004 → 31.12.2009	1
28	1506709-0427	(Cross-brace single Hemi abduct., UltraLight 80° SB36 ST46, mystic purple)	01.01.2004 → 31.12.2009	1
28	1506709-0442	(Cross-brace single Hemi abduct., UltraLight 80° SB36 ST46, night shimmer)	01.01.2009 →	1
28	1506709-0443	(Cross-brace single Hemi abduct., UltraLight 80° SB36 ST46, pearly sapphire)	01.01.2004 → 31.12.2009	1
28	1506709-3524	(Cross-brace single Hemi abduct., UltraLight 80° SB36 ST46, royal red)		1
28	1506709-5969	(Cross-brace single Hemi abduct., UltraLight 80° SB36 ST46, royal blue)		1
28	1506709-9005	KRYSS ENKEL KPL 80G SD36 SD46 KUSCHALL UL COMPACT		1
28	1506709-9119	(Cross-brace single Hemi abduct., UltraLight 80° SB36 ST46, black, bronze)		1
29	1506710-0419	(Cross-brace single Hemi abduct., UltraLight 80° SB36 ST48, silver grey)		1
29	1506710-0424	(Cross-brace single Hemi abduct., UltraLight 80° SB36 ST48, cyber green)	01.01.2004 → 31.12.2009	1
29	1506710-0427	(Cross-brace single Hemi abduct., UltraLight 80° SB36 ST48, mystic purple)	01.01.2004 → 31.12.2009	1
29	1506710-0442	(Cross-brace single Hemi abduct., UltraLight 80° SB36 ST48, night shimmer)	01.01.2009 →	1
29	1506710-0443	(Cross-brace single Hemi abduct., UltraLight 80° SB36 ST48, pearly sapphire)	01.01.2004 → 31.12.2009	1
29	1506710-3524	(Cross-brace single Hemi abduct., UltraLight 80° SB36 ST48, royal red)		1
29	1506710-5969	(Cross-brace single Hemi abduct., UltraLight 80° SB36 ST48, royal blue)		1
29	1506710-9005	(Cross-brace single Hemi abduct., UltraLight 80° SB36 ST48, black, glossy)		1
29	1506710-9119	(Cross-brace single Hemi abduct., UltraLight 80° SB36 ST48, black, bronze)		1
30	1506711-0419	(Cross-brace single Hemi abduct., UltraLight 80° SB36 ST50, silver grey)		1
30	1506711-0424	(Cross-brace single Hemi abduct., UltraLight 80° SB36 ST50, cyber green)	01.01.2004 → 31.12.2009	1
30	1506711-0427	(Cross-brace single Hemi abduct., UltraLight 80° SB36 ST50, mystic purple)	01.01.2004 → 31.12.2009	1
30	1506711-0442	(Cross-brace single Hemi abduct., UltraLight 80° SB36 ST50, night shimmer)	01.01.2009 →	1
30	1506711-0443	(Cross-brace single Hemi abduct., UltraLight 80° SB36 ST50, pearly sapphire)	01.01.2004 → 31.12.2009	1
30	1506711-3524	(Cross-brace single Hemi abduct., UltraLight 80° SB36 ST50, royal red)		1
30	1506711-5969	(Cross-brace single Hemi abduct., UltraLight 80° SB36 ST50, royal blue)		1
30	1506711-9005	(Cross-brace single Hemi abduct., UltraLight 80° SB36 ST50, black, glossy)		1
30	1506711-9119	(Cross-brace single Hemi abduct., UltraLight 80° SB36 ST50, black, bronze)		1
31	1506712-0419	(Cross-brace single Hemi abduct., UltraLight 80° SB38 ST32, silver grey)		1
31	1506712-0424	(Cross-brace single Hemi abduct., UltraLight 80° SB38 ST32, cyber green)	01.01.2004 → 31.12.2009	1
31	1506712-0427	(Cross-brace single Hemi abduct., UltraLight 80° SB38 ST32, mystic purple)	01.01.2004 → 31.12.2009	1
31	1506712-0442	(Cross-brace single Hemi abduct., UltraLight 80° SB38 ST32, night shimmer)	01.01.2009 →	1

**(Cross brace to frame 80°, SB32-40)**

31	1506712-0443	(Cross-brace single Hemi abduct, UltraLight 80° SB38 ST32, pearly sapphire)	01.01.2004 → 31.12.2009	1
31	1506712-3524	(Cross-brace single Hemi abduct., UltraLight 80° SB38 ST32, royal red)		1
31	1506712-5969	(Cross-brace single Hemi abduct., UltraLight 80° SB38 ST32, royal blue)		1
31	1506712-9005	(Cross-brace single Hemi abduct., UltraLight 80° SB38 ST32, black, glossy)		1
31	1506712-9119	(Cross-brace single Hemi abduct., UltraLight 80° SB38 ST32, black, bronze)		1
32	1506713-0419	(Cross-brace single Hemi abduct., UltraLight 80° SB38 ST34, silver grey)		1
32	1506713-0424	(Cross-brace single Hemi abduct., UltraLight 80° SB38 ST34, cyber green)	01.01.2004 → 31.12.2009	1
32	1506713-0427	(Cross-brace single Hemi abduct., UltraLight 80° SB38 ST34, mystic purple)	01.01.2004 → 31.12.2009	1
32	1506713-0442	(Cross-brace single Hemi abduct., UltraLight 80° SB38 ST34, night shimmer)	01.01.2009 →	1
32	1506713-0443	(Cross-brace single Hemi abduct, UltraLight 80° SB38 ST34, pearly sapphire)	01.01.2004 → 31.12.2009	1
32	1506713-3524	(Cross-brace single Hemi abduct., UltraLight 80° SB38 ST34, royal red)		1
32	1506713-5969	(Cross-brace single Hemi abduct., UltraLight 80° SB38 ST34, royal blue)		1
32	1506713-9005	(Cross-brace single Hemi abduct., UltraLight 80° SB38 ST34, black, glossy)		1
32	1506713-9119	(Cross-brace single Hemi abduct., UltraLight 80° SB38 ST34, black, bronze)		1
33	1506714-0419	(Cross-brace single Hemi abduct., UltraLight 80° SB38 ST36, silver grey)		1
33	1506714-0424	(Cross-brace single Hemi abduct., UltraLight 80° SB38 ST36, cyber green)	01.01.2004 → 31.12.2009	1
33	1506714-0427	(Cross-brace single Hemi abduct., UltraLight 80° SB38 ST36, mystic purple)	01.01.2004 → 31.12.2009	1
33	1506714-0442	(Cross-brace single Hemi abduct., UltraLight 80° SB38 ST36, night shimmer)	01.01.2009 →	1
33	1506714-0443	(Cross-brace single Hemi abduct, UltraLight 80° SB38 ST36, pearly sapphire)	01.01.2004 → 31.12.2009	1
33	1506714-3524	(Cross-brace single Hemi abduct., UltraLight 80° SB38 ST36, royal red)		1
33	1506714-5969	(Cross-brace single Hemi abduct., UltraLight 80° SB38 ST36, royal blue)		1
33	1506714-9005	(Cross-brace single Hemi abduct., UltraLight 80° SB38 ST36, black, glossy)		1
33	1506714-9119	(Cross-brace single Hemi abduct., UltraLight 80° SB38 ST36, black, bronze)		1
34	1506715-0419	(Cross-brace single Hemi abduct., UltraLight 80° SB38 ST38, silver grey)		1
34	1506715-0424	(Cross-brace single Hemi abduct., UltraLight 80° SB38 ST38, cyber green)	01.01.2004 → 31.12.2009	1
34	1506715-0427	(Cross-brace single Hemi abduct., UltraLight 80° SB38 ST38, mystic purple)	01.01.2004 → 31.12.2009	1
34	1506715-0442	(Cross-brace single Hemi abduct., UltraLight 80° SB38 ST38, night shimmer)	01.01.2009 →	1
34	1506715-0443	(Cross-brace single Hemi abduct, UltraLight 80° SB38 ST38, pearly sapphire)	01.01.2004 → 31.12.2009	1
34	1506715-3524	(Cross-brace single Hemi abduct., UltraLight 80° SB38 ST38, royal red)		1
34	1506715-5969	(Cross-brace single Hemi abduct., UltraLight 80° SB38 ST38, royal blue)		1
34	1506715-9005	(Cross-brace single Hemi abduct., UltraLight 80° SB38 ST38, black, glossy)		1
34	1506715-9119	(Cross-brace single Hemi abduct., UltraLight 80° SB38 ST38, black, bronze)		1
35	1506716-0419	(Cross-brace single Hemi abduct., UltraLight 80° SB38 ST40, silver grey)		1
35	1506716-0424	(Cross-brace single Hemi abduct., UltraLight 80° SB38 ST40, cyber green)	01.01.2004 → 31.12.2009	1
35	1506716-0427	(Cross-brace single Hemi abduct., UltraLight 80° SB38 ST40, mystic purple)	01.01.2004 → 31.12.2009	1
35	1506716-0442	(Cross-brace single Hemi abduct., UltraLight 80° SB38 ST40, night shimmer)	01.01.2009 →	1

**(Cross brace to frame 80°, SB32-40)**

35	1506716-0443	(Cross-brace single Hemi abduct, UltraLight 80° SB38 ST40, pearly sapphire)	01.01.2004 → 31.12.2009	1
35	1506716-3524	(Cross-brace single Hemi abduct., UltraLight 80° SB38 ST40, royal red)		1
35	1506716-5969	(Cross-brace single Hemi abduct., UltraLight 80° SB38 ST40, royal blue)		1
35	1506716-9005	KRYSS ENKEL KPL 80G SB38 SD40 KUSCHALL ULCP		1
35	1506716-9119	(Cross-brace single Hemi abduct., UltraLight 80° SB38 ST40, black, bronze)		1
36	1506717-0419	(Cross-brace single Hemi abduct., UltraLight 80° SB38 ST42, silver grey)		1
36	1506717-0424	(Cross-brace single Hemi abduct., UltraLight 80° SB38 ST42, cyber green)	01.01.2004 → 31.12.2009	1
36	1506717-0427	(Cross-brace single Hemi abduct., UltraLight 80° SB38 ST42, mystic purple)	01.01.2004 → 31.12.2009	1
36	1506717-0442	(Cross-brace single Hemi abduct., UltraLight 80° SB38 ST42, night shimmer)	01.01.2009 →	1
36	1506717-0443	(Cross-brace single Hemi abduct, UltraLight 80° SB38 ST42, pearly sapphire)	01.01.2004 → 31.12.2009	1
36	1506717-3524	(Cross-brace single Hemi abduct., UltraLight 80° SB38 ST42, royal red)		1
36	1506717-5969	(Cross-brace single Hemi abduct., UltraLight 80° SB38 ST42, royal blue)		1
36	1506717-9005	(Cross-brace single Hemi abduct., UltraLight 80° SB38 ST42, black, glossy)		1
36	1506717-9119	(Cross-brace single Hemi abduct., UltraLight 80° SB38 ST42, black, bronze)		1
37	1506718-0419	(Cross-brace single Hemi abduct., UltraLight 80° SB38 ST44, silver grey)		1
37	1506718-0424	(Cross-brace single Hemi abduct., UltraLight 80° SB38 ST44, cyber green)	01.01.2004 → 31.12.2009	1
37	1506718-0427	(Cross-brace single Hemi abduct., UltraLight 80° SB38 ST44, mystic purple)	01.01.2004 → 31.12.2009	1
37	1506718-0442	(Cross-brace single Hemi abduct., UltraLight 80° SB38 ST44, night shimmer)	01.01.2009 →	1
37	1506718-0443	(Cross-brace single Hemi abduct, UltraLight 80° SB38 ST44, pearly sapphire)	01.01.2004 → 31.12.2009	1
37	1506718-3524	(Cross-brace single Hemi abduct., UltraLight 80° SB38 ST44, royal red)		1
37	1506718-5969	(Cross-brace single Hemi abduct., UltraLight 80° SB38 ST44, royal blue)		1
37	1506718-9005	(Cross-brace single Hemi abduct., UltraLight 80° SB38 ST44, black, glossy)		1
37	1506718-9119	(Cross-brace single Hemi abduct., UltraLight 80° SB38 ST44, black, bronze)		1
38	1506719-0419	(Cross-brace single Hemi abduct., UltraLight 80° SB38 ST46, silver grey)		1
38	1506719-0424	(Cross-brace single Hemi abduct., UltraLight 80° SB38 ST46, cyber green)	01.01.2004 → 31.12.2009	1
38	1506719-0427	(Cross-brace single Hemi abduct., UltraLight 80° SB38 ST46, mystic purple)	01.01.2004 → 31.12.2009	1
38	1506719-0442	(Cross-brace single Hemi abduct., UltraLight 80° SB38 ST46, night shimmer)	01.01.2009 →	1
38	1506719-0443	(Cross-brace single Hemi abduct, UltraLight 80° SB38 ST46, pearly sapphire)	01.01.2004 → 31.12.2009	1
38	1506719-3524	(Cross-brace single Hemi abduct., UltraLight 80° SB38 ST46, royal red)		1
38	1506719-5969	(Cross-brace single Hemi abduct., UltraLight 80° SB38 ST46, royal blue)		1
38	1506719-9005	(Cross-brace single Hemi abduct., UltraLight 80° SB38 ST46, black, glossy)		1
38	1506719-9119	(Cross-brace single Hemi abduct., UltraLight 80° SB38 ST46, black, bronze)		1
39	1506720-0419	(Cross-brace single Hemi abduct., UltraLight 80° SB38 ST48, silver grey)		1
39	1506720-0424	(Cross-brace single Hemi abduct., UltraLight 80° SB38 ST48, cyber green)	01.01.2004 → 31.12.2009	1
39	1506720-0427	(Cross-brace single Hemi abduct., UltraLight 80° SB38 ST48, mystic purple)	01.01.2004 → 31.12.2009	1
39	1506720-0442	(Cross-brace single Hemi abduct., UltraLight 80° SB38 ST48, night shimmer)	01.01.2009 →	1
39	1506720-0443	(Cross-brace single Hemi abduct, UltraLight 80° SB38 ST48, pearly sapphire)	01.01.2004 → 31.12.2009	1

**(Cross brace to frame 80°, SB32-40)**

39	1506720-3524	(Cross-brace single Hemi abduct., UltraLight 80° SB38 ST48, royal red)		1
39	1506720-5969	(Cross-brace single Hemi abduct., UltraLight 80° SB38 ST48, royal blue)		1
39	1506720-9005	(Cross-brace single Hemi abduct., UltraLight 80° SB38 ST48, black, glossy)		1
39	1506720-9119	(Cross-brace single Hemi abduct., UltraLight 80° SB38 ST48, black, bronze)		1
40	1506721-0419	(Cross-brace single Hemi abduct., UltraLight 80° SB38 ST50, silver grey)		1
40	1506721-0424	(Cross-brace single Hemi abduct., UltraLight 80° SB38 ST50, cyber green)	01.01.2004 → 31.12.2009	1
40	1506721-0427	(Cross-brace single Hemi abduct., UltraLight 80° SB38 ST50, mystic purple)	01.01.2004 → 31.12.2009	1
40	1506721-0442	(Cross-brace single Hemi abduct., UltraLight 80° SB38 ST50, night shimmer)	01.01.2009 →	1
40	1506721-0443	(Cross-brace single Hemi abduct., UltraLight 80° SB38 ST50, pearly sapphire)	01.01.2004 → 31.12.2009	1
40	1506721-3524	(Cross-brace single Hemi abduct., UltraLight 80° SB38 ST50, royal red)		1
40	1506721-5969	(Cross-brace single Hemi abduct., UltraLight 80° SB38 ST50, royal blue)		1
40	1506721-9005	(Cross-brace single Hemi abduct., UltraLight 80° SB38 ST50, black, glossy)		1
40	1506721-9119	(Cross-brace single Hemi abduct., UltraLight 80° SB38 ST50, black, bronze)		1
41	1506722-0419	(Cross-brace single Hemi abduct., UltraLight 80° SB40 ST32, silver grey)		1
41	1506722-0424	(Cross-brace single Hemi abduct., UltraLight 80° SB40 ST32, cyber green)	01.01.2004 → 31.12.2009	1
41	1506722-0427	(Cross-brace single Hemi abduct., UltraLight 80° SB40 ST32, mystic purple)	01.01.2004 → 31.12.2009	1
41	1506722-0442	(Cross-brace single Hemi abduct., UltraLight 80° SB40 ST32, night shimmer)	01.01.2009 →	1
41	1506722-0443	(Cross-brace single Hemi abduct., UltraLight 80° SB40 ST32, pearly sapphire)	01.01.2004 → 31.12.2009	1
41	1506722-3524	(Cross-brace single Hemi abduct., UltraLight 80° SB40 ST32, royal red)		1
41	1506722-5969	(Cross-brace single Hemi abduct., UltraLight 80° SB40 ST32, royal blue)		1
41	1506722-9005	(Cross-brace single Hemi abduct., UltraLight 80° SB40 ST32, black, glossy)		1
41	1506722-9119	(Cross-brace single Hemi abduct., UltraLight 80° SB40 ST32, black, bronze)		1
42	1506723-0419	(Cross-brace single Hemi abduct., UltraLight 80° SB40 ST34, silver grey)		1
42	1506723-0424	(Cross-brace single Hemi abduct., UltraLight 80° SB40 ST34, cyber green)	01.01.2004 → 31.12.2009	1
42	1506723-0427	(Cross-brace single Hemi abduct., UltraLight 80° SB40 ST34, mystic purple)	01.01.2004 → 31.12.2009	1
42	1506723-0442	(Cross-brace single Hemi abduct., UltraLight 80° SB40 ST34, night shimmer)	01.01.2009 →	1
42	1506723-0443	(Cross-brace single Hemi abduct., UltraLight 80° SB40 ST34, pearly sapphire)	01.01.2004 → 31.12.2009	1
42	1506723-3524	(Cross-brace single Hemi abduct., UltraLight 80° SB40 ST34, royal red)		1
42	1506723-5969	(Cross-brace single Hemi abduct., UltraLight 80° SB40 ST34, royal blue)		1
42	1506723-9005	(Cross-brace single Hemi abduct., UltraLight 80° SB40 ST34, black, glossy)		1
42	1506723-9119	(Cross-brace single Hemi abduct., UltraLight 80° SB40 ST34, black, bronze)		1
43	1506724-0419	(Cross-brace single Hemi abduct., UltraLight 80° SB40 ST36, silver grey)		1
43	1506724-0424	(Cross-brace single Hemi abduct., UltraLight 80° SB40 ST36, cyber green)	01.01.2004 → 31.12.2009	1
43	1506724-0427	(Cross-brace single Hemi abduct., UltraLight 80° SB40 ST36, mystic purple)	01.01.2004 → 31.12.2009	1
43	1506724-0442	(Cross-brace single Hemi abduct., UltraLight 80° SB40 ST36, night shimmer)	01.01.2009 →	1
43	1506724-0443	(Cross-brace single Hemi abduct., UltraLight 80° SB40 ST36, pearly sapphire)	01.01.2004 → 31.12.2009	1
43	1506724-3524	(Cross-brace single Hemi abduct., UltraLight 80° SB40 ST36, royal red)		1

**(Cross brace to frame 80°, SB32-40)**

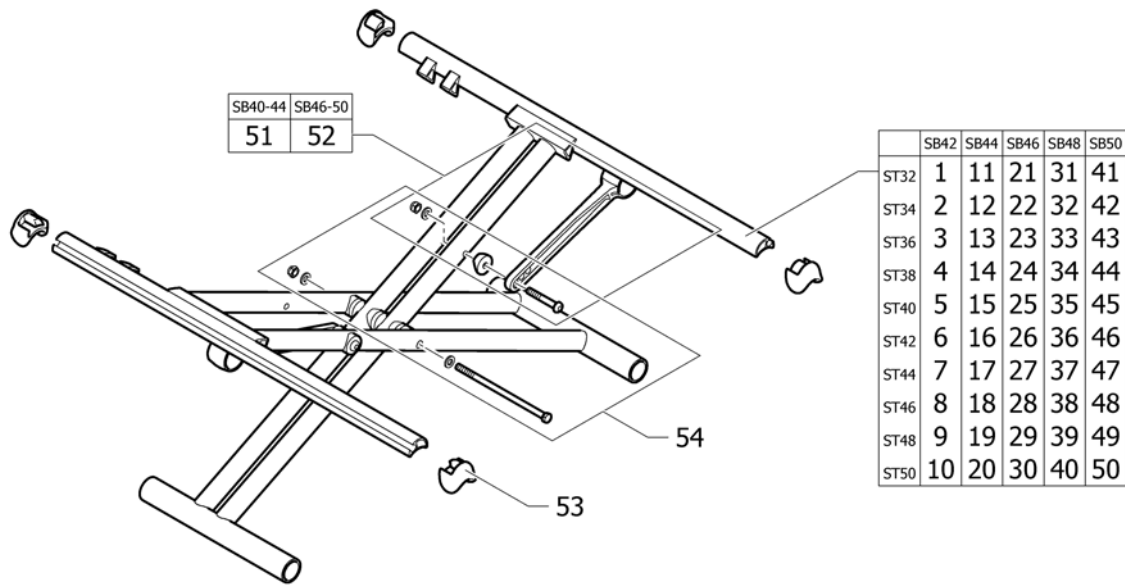
43	1506724-5969	(Cross-brace single Hemi abduct., UltraLight 80° SB40 ST36, royal blue)		1
43	1506724-9005	(Cross-brace single Hemi abduct., UltraLight 80° SB40 ST36, black, glossy)		1
43	1506724-9119	(Cross-brace single Hemi abduct., UltraLight 80° SB40 ST36, black, bronze)		1
44	1506725-0419	(Cross-brace single Hemi abduct., UltraLight 80° SB40 ST38, silver grey)		1
44	1506725-0424	(Cross-brace single Hemi abduct., UltraLight 80° SB40 ST38, cyber green)	01.01.2004 → 31.12.2009	1
44	1506725-0427	(Cross-brace single Hemi abduct., UltraLight 80° SB40 ST38, mystic purple)	01.01.2004 → 31.12.2009	1
44	1506725-0442	(Cross-brace single Hemi abduct., UltraLight 80° SB40 ST38, night shimmer)	01.01.2009 →	1
44	1506725-0443	(Cross-brace single Hemi abduct., UltraLight 80° SB40 ST38, pearly sapphire)	01.01.2004 → 31.12.2009	1
44	1506725-3524	(Cross-brace single Hemi abduct., UltraLight 80° SB40 ST38, royal red)		1
44	1506725-5969	(Cross-brace single Hemi abduct., UltraLight 80° SB40 ST38, royal blue)		1
44	1506725-9005	(Cross-brace single Hemi abduct., UltraLight 80° SB40 ST38, black, glossy)		1
44	1506725-9119	(Cross-brace single Hemi abduct., UltraLight 80° SB40 ST38, black, bronze)		1
45	1506726-0419	(Cross-brace single Hemi abduct., UltraLight 80° SB40 ST40, silver grey)		1
45	1506726-0424	(Cross-brace single Hemi abduct., UltraLight 80° SB40 ST40, cyber green)	01.01.2004 → 31.12.2009	1
45	1506726-0427	(Cross-brace single Hemi abduct., UltraLight 80° SB40 ST40, mystic purple)	01.01.2004 → 31.12.2009	1
45	1506726-0442	(Cross-brace single Hemi abduct., UltraLight 80° SB40 ST40, night shimmer)	01.01.2009 →	1
45	1506726-0443	(Cross-brace single Hemi abduct., UltraLight 80° SB40 ST40, pearly sapphire)	01.01.2004 → 31.12.2009	1
45	1506726-3524	(Cross-brace single Hemi abduct., UltraLight 80° SB40 ST40, royal red)		1
45	1506726-5969	(Cross-brace single Hemi abduct., UltraLight 80° SB40 ST40, royal blue)		1
45	1506726-9005	KRYSS ENKEL KPL 80G SD40 SD40 KUSCHALL ULCP		1
45	1506726-9119	(Cross-brace single Hemi abduct., UltraLight 80° SB40 ST40, black, bronze)		1
46	1506727-0419	(Cross-brace single Hemi abduct., UltraLight 80° SB40 ST42, silver grey)		1
46	1506727-0424	(Cross-brace single Hemi abduct., UltraLight 80° SB40 ST42, cyber green)	01.01.2004 → 31.12.2009	1
46	1506727-0427	(Cross-brace single Hemi abduct., UltraLight 80° SB40 ST42, mystic purple)	01.01.2004 → 31.12.2009	1
46	1506727-0442	(Cross-brace single Hemi abduct., UltraLight 80° SB40 ST42, night shimmer)	01.01.2009 →	1
46	1506727-0443	(Cross-brace single Hemi abduct., UltraLight 80° SB40 ST42, pearly sapphire)	01.01.2004 → 31.12.2009	1
46	1506727-3524	(Cross-brace single Hemi abduct., UltraLight 80° SB40 ST42, royal red)		1
46	1506727-5969	(Cross-brace single Hemi abduct., UltraLight 80° SB40 ST42, royal blue)		1
46	1506727-9005	(Cross-brace single Hemi abduct., UltraLight 80° SB40 ST42, black, glossy)		1
46	1506727-9119	(Cross-brace single Hemi abduct., UltraLight 80° SB40 ST42, black, bronze)		1
47	1506728-0419	(Cross-brace single Hemi abduct., UltraLight 80° SB40 ST44, silver grey)		1
47	1506728-0424	(Cross-brace single Hemi abduct., UltraLight 80° SB40 ST44, cyber green)	01.01.2004 → 31.12.2009	1
47	1506728-0427	(Cross-brace single Hemi abduct., UltraLight 80° SB40 ST44, mystic purple)	01.01.2004 → 31.12.2009	1
47	1506728-0442	(Cross-brace single Hemi abduct., UltraLight 80° SB40 ST44, night shimmer)	01.01.2009 →	1
47	1506728-0443	(Cross-brace single Hemi abduct., UltraLight 80° SB40 ST44, pearly sapphire)	01.01.2004 → 31.12.2009	1
47	1506728-3524	(Cross-brace single Hemi abduct., UltraLight 80° SB40 ST44, royal red)		1
47	1506728-5969	(Cross-brace single Hemi abduct., UltraLight 80° SB40 ST44, royal blue)		1

**(Cross brace to frame 80°, SB32-40)**

47	1506728-9005	(Cross-brace single Hemi abduct., UltraLight 80° SB40 ST44, black, glossy)		1
47	1506728-9119	(Cross-brace single Hemi abduct., UltraLight 80° SB40 ST44, black, bronze)		1
48	1506729-0419	(Cross-brace single Hemi abduct., UltraLight 80° SB40 ST46, silver grey)		1
48	1506729-0424	(Cross-brace single Hemi abduct., UltraLight 80° SB40 ST46, cyber green)	01.01.2004 → 31.12.2009	1
48	1506729-0427	(Cross-brace single Hemi abduct., UltraLight 80° SB40 ST46, mystic purple)	01.01.2004 → 31.12.2009	1
48	1506729-0442	(Cross-brace single Hemi abduct., UltraLight 80° SB40 ST46, night shimmer)	01.01.2009 →	1
48	1506729-0443	(Cross-brace single Hemi abduct., UltraLight 80° SB40 ST46, pearly sapphire)	01.01.2004 → 31.12.2009	1
48	1506729-3524	(Cross-brace single Hemi abduct., UltraLight 80° SB40 ST46, royal red)		1
48	1506729-5969	(Cross-brace single Hemi abduct., UltraLight 80° SB40 ST46, royal blue)		1
48	1506729-9005	(Cross-brace single Hemi abduct., UltraLight 80° SB40 ST46, black, glossy)		1
48	1506729-9119	(Cross-brace single Hemi abduct., UltraLight 80° SB40 ST46, black, bronze)		1
49	1506730-0419	(Cross-brace single Hemi abduct., UltraLight 80° SB40 ST48, silver grey)		1
49	1506730-0424	(Cross-brace single Hemi abduct., UltraLight 80° SB40 ST48, cyber green)	01.01.2004 → 31.12.2009	1
49	1506730-0427	(Cross-brace single Hemi abduct., UltraLight 80° SB40 ST48, mystic purple)	01.01.2004 → 31.12.2009	1
49	1506730-0442	(Cross-brace single Hemi abduct., UltraLight 80° SB40 ST48, night shimmer)	01.01.2009 →	1
49	1506730-0443	(Cross-brace single Hemi abduct., UltraLight 80° SB40 ST48, pearly sapphire)	01.01.2004 → 31.12.2009	1
49	1506730-3524	(Cross-brace single Hemi abduct., UltraLight 80° SB40 ST48, royal red)		1
49	1506730-5969	(Cross-brace single Hemi abduct., UltraLight 80° SB40 ST48, royal blue)		1
49	1506730-9005	(Cross-brace single Hemi abduct., UltraLight 80° SB40 ST48, black, glossy)		1
49	1506730-9119	(Cross-brace single Hemi abduct., UltraLight 80° SB40 ST48, black, bronze)		1
50	1506731-0419	(Cross-brace single Hemi abduct., UltraLight 80° SB40 ST50, silver grey)		1
50	1506731-0424	(Cross-brace single Hemi abduct., UltraLight 80° SB40 ST50, cyber green)	01.01.2004 → 31.12.2009	1
50	1506731-0427	(Cross-brace single Hemi abduct., UltraLight 80° SB40 ST50, mystic purple)	01.01.2004 → 31.12.2009	1
50	1506731-0442	(Cross-brace single Hemi abduct., UltraLight 80° SB40 ST50, night shimmer)	01.01.2009 →	1
50	1506731-0443	(Cross-brace single Hemi abduct., UltraLight 80° SB40 ST50, pearly sapphire)	01.01.2004 → 31.12.2009	1
50	1506731-3524	(Cross-brace single Hemi abduct., UltraLight 80° SB40 ST50, royal red)		1
50	1506731-5969	(Cross-brace single Hemi abduct., UltraLight 80° SB40 ST50, royal blue)		1
50	1506731-9005	(Cross-brace single Hemi abduct., UltraLight 80° SB40 ST50, black, glossy)		1
50	1506731-9119	(Cross-brace single Hemi abduct., UltraLight 80° SB40 ST50, black, bronze)		1
51	1437943	(Retaining lever SB32-38)		1
52	1437944	KRYSSHOLDER STAG SB 40-44 KUSCHALL ULCO		1
53	1507625	KLIPS/ENDESTOPPER KIT. COMPACT KUSCHALL		1
54	1439479	SKRUESETT FOR SETEKRYSS COMPACT 2004 MODELL		1



## (Cross brace to frame 80°, SB42-50)



1	1506732-0419	(Cross-brace double Hemi abduct., UltraLight 80° SB42 ST32, silver grey)		1
1	1506732-0424	(Cross-brace double Hemi abduct., UltraLight 80° SB42 ST32, cyber green)	01.01.2004 → 31.12.2009	1
1	1506732-0427	(Cross-brace double Hemi abduct., UltraLight 80° SB42 ST32, mystic purple)	01.01.2004 → 31.12.2009	1
1	1506732-0442	(Cross-brace double Hemi abduct., UltraLight 80° SB42 ST32, night shimmer)	01.01.2009 →	1
1	1506732-0443	(Cross-brace double Hemi abduct, UltraLight 80° SB42 ST32, pearly sapphire)	01.01.2004 → 31.12.2009	1
1	1506732-3524	(Cross-brace double Hemi abduct., UltraLight 80° SB42 ST32, royal red)		1
1	1506732-5969	(Cross-brace double Hemi abduct., UltraLight 80° SB42 ST32, royal blue)		1
1	1506732-9005	(Cross-brace double Hemi abduct., UltraLight 80° SB42 ST32, black, glossy)		1
1	1506732-9119	(Cross-brace double Hemi abduct., UltraLight 80° SB42 ST32, black, bronze)		1
2	1506733-0419	(Cross-brace double Hemi abduct., UltraLight 80° SB42 ST34, silver grey)		1
2	1506733-0424	(Cross-brace double Hemi abduct., UltraLight 80° SB42 ST34, cyber green)	01.01.2004 → 31.12.2009	1
2	1506733-0427	(Cross-brace double Hemi abduct., UltraLight 80° SB42 ST34, mystic purple)	01.01.2004 → 31.12.2009	1
2	1506733-0442	(Cross-brace double Hemi abduct., UltraLight 80° SB42 ST34, night shimmer)	01.01.2009 →	1
2	1506733-0443	(Cross-brace double Hemi abduct, UltraLight 80° SB42 ST34, pearly sapphire)	01.01.2004 → 31.12.2009	1
2	1506733-3524	(Cross-brace double Hemi abduct., UltraLight 80° SB42 ST34, royal red)		1
2	1506733-5969	(Cross-brace double Hemi abduct., UltraLight 80° SB42 ST34, royal blue)		1
2	1506733-9005	(Cross-brace double Hemi abduct., UltraLight 80° SB42 ST34, black, glossy)		1
2	1506733-9119	(Cross-brace double Hemi abduct., UltraLight 80° SB42 ST34, black, bronze)		1
3	1506734-0419	(Cross-brace double Hemi abduct., UltraLight 80° SB42 ST36, silver grey)		1
3	1506734-0424	(Cross-brace double Hemi abduct., UltraLight 80° SB42 ST36, cyber green)	01.01.2004 → 31.12.2009	1
3	1506734-0427	(Cross-brace double Hemi abduct., UltraLight 80° SB42 ST36, mystic purple)	01.01.2004 → 31.12.2009	1

**(Cross brace to frame 80°, SB42-50)**

3	1506734-0442	(Cross-brace double Hemi abduct., UltraLight 80° SB42 ST36, night shimmer)	01.01.2009 →	1
3	1506734-0443	(Cross-brace double Hemi abduct., UltraLight 80° SB42 ST36, pearly sapphire)	01.01.2004 → 31.12.2009	1
3	1506734-3524	(Cross-brace double Hemi abduct., UltraLight 80° SB42 ST36, royal red)		1
3	1506734-5969	(Cross-brace double Hemi abduct., UltraLight 80° SB42 ST36, royal blue)		1
3	1506734-9005	(Cross-brace double Hemi abduct., UltraLight 80° SB42 ST36, black, glossy)		1
3	1506734-9119	(Cross-brace double Hemi abduct., UltraLight 80° SB42 ST36, black, bronze)		1
4	1506735-0419	(Cross-brace double Hemi abduct., UltraLight 80° SB42 ST38, silver grey)		1
4	1506735-0424	(Cross-brace double Hemi abduct., UltraLight 80° SB42 ST38, cyber green)	01.01.2004 → 31.12.2009	1
4	1506735-0427	(Cross-brace double Hemi abduct., UltraLight 80° SB42 ST38, mystic purple)	01.01.2004 → 31.12.2009	1
4	1506735-0442	(Cross-brace double Hemi abduct., UltraLight 80° SB42 ST38, night shimmer)	01.01.2009 →	1
4	1506735-0443	(Cross-brace double Hemi abduct., UltraLight 80° SB42 ST38, pearly sapphire)	01.01.2004 → 31.12.2009	1
4	1506735-3524	(Cross-brace double Hemi abduct., UltraLight 80° SB42 ST38, royal red)		1
4	1506735-5969	(Cross-brace double Hemi abduct., UltraLight 80° SB42 ST38, royal blue)		1
4	1506735-9005	(Cross-brace double Hemi abduct., UltraLight 80° SB42 ST38, black, glossy)		1
4	1506735-9119	(Cross-brace double Hemi abduct., UltraLight 80° SB42 ST38, black, bronze)		1
5	1506736-0419	(Cross-brace double Hemi abduct., UltraLight 80° SB42 ST40, silver grey)		1
5	1506736-0424	(Cross-brace double Hemi abduct., UltraLight 80° SB42 ST40, cyber green)	01.01.2004 → 31.12.2009	1
5	1506736-0427	(Cross-brace double Hemi abduct., UltraLight 80° SB42 ST40, mystic purple)	01.01.2004 → 31.12.2009	1
5	1506736-0442	(Cross-brace double Hemi abduct., UltraLight 80° SB42 ST40, night shimmer)	01.01.2009 →	1
5	1506736-0443	(Cross-brace double Hemi abduct., UltraLight 80° SB42 ST40, pearly sapphire)	01.01.2004 → 31.12.2009	1
5	1506736-3524	(Cross-brace double Hemi abduct., UltraLight 80° SB42 ST40, royal red)		1
5	1506736-5969	(Cross-brace double Hemi abduct., UltraLight 80° SB42 ST40, royal blue)		1
5	1506736-9005	(Cross-brace double Hemi abduct., UltraLight 80° SB42 ST40, black, glossy)		1
5	1506736-9119	(Cross-brace double Hemi abduct., UltraLight 80° SB42 ST40, black, bronze)		1
6	1506737-0419	(Cross-brace double Hemi abduct., UltraLight 80° SB42 ST42, silver grey)		1
6	1506737-0424	(Cross-brace double Hemi abduct., UltraLight 80° SB42 ST42, cyber green)	01.01.2004 → 31.12.2009	1
6	1506737-0427	(Cross-brace double Hemi abduct., UltraLight 80° SB42 ST42, mystic purple)	01.01.2004 → 31.12.2009	1
6	1506737-0442	(Cross-brace double Hemi abduct., UltraLight 80° SB42 ST42, night shimmer)	01.01.2009 →	1
6	1506737-0443	(Cross-brace double Hemi abduct., UltraLight 80° SB42 ST42, pearly sapphire)	01.01.2004 → 31.12.2009	1
6	1506737-3524	(Cross-brace double Hemi abduct., UltraLight 80° SB42 ST42, royal red)		1
6	1506737-5969	(Cross-brace double Hemi abduct., UltraLight 80° SB42 ST42, royal blue)		1
6	1506737-9005	(Cross-brace double Hemi abduct., UltraLight 80° SB42 ST42, black, glossy)		1
6	1506737-9119	(Cross-brace double Hemi abduct., UltraLight 80° SB42 ST42, black, bronze)		1
7	1506738-0419	(Cross-brace double Hemi abduct., UltraLight 80° SB42 ST44, silver grey)		1
7	1506738-0424	(Cross-brace double Hemi abduct., UltraLight 80° SB42 ST44, cyber green)	01.01.2004 → 31.12.2009	1
7	1506738-0427	(Cross-brace double Hemi abduct., UltraLight 80° SB42 ST44, mystic purple)	01.01.2004 → 31.12.2009	1

**(Cross brace to frame 80°, SB42-50)**

7	1506738-0442	(Cross-brace double Hemi abduct., UltraLight 80° SB42 ST44, night shimmer)	01.01.2009 →	1
7	1506738-0443	(Cross-brace double Hemi abduct., UltraLight 80° SB42 ST44, pearly sapphire)	01.01.2004 → 31.12.2009	1
7	1506738-3524	(Cross-brace double Hemi abduct., UltraLight 80° SB42 ST44, royal red)		1
7	1506738-5969	(Cross-brace double Hemi abduct., UltraLight 80° SB42 ST44, royal blue)		1
7	1506738-9005	(Cross-brace double Hemi abduct., UltraLight 80° SB42 ST44, black, glossy)		1
7	1506738-9119	(Cross-brace double Hemi abduct., UltraLight 80° SB42 ST44, black, bronze)		1
8	1506739-0419	(Cross-brace double Hemi abduct., UltraLight 80° SB42 ST46, silver grey)		1
8	1506739-0424	(Cross-brace double Hemi abduct., UltraLight 80° SB42 ST46, cyber green)	01.01.2004 → 31.12.2009	1
8	1506739-0427	(Cross-brace double Hemi abduct., UltraLight 80° SB42 ST46, mystic purple)	01.01.2004 → 31.12.2009	1
8	1506739-0442	(Cross-brace double Hemi abduct., UltraLight 80° SB42 ST46, night shimmer)	01.01.2009 →	1
8	1506739-0443	(Cross-brace double Hemi abduct., UltraLight 80° SB42 ST46, pearly sapphire)	01.01.2004 → 31.12.2009	1
8	1506739-3524	(Cross-brace double Hemi abduct., UltraLight 80° SB42 ST46, royal red)		1
8	1506739-5969	(Cross-brace double Hemi abduct., UltraLight 80° SB42 ST46, royal blue)		1
8	1506739-9005	(Cross-brace double Hemi abduct., UltraLight 80° SB42 ST46, black, glossy)		1
8	1506739-9119	(Cross-brace double Hemi abduct., UltraLight 80° SB42 ST46, black, bronze)		1
9	1506740-0419	(Cross-brace double Hemi abduct., UltraLight 80° SB42 ST48, silver grey)		1
9	1506740-0424	(Cross-brace double Hemi abduct., UltraLight 80° SB42 ST48, cyber green)	01.01.2004 → 31.12.2009	1
9	1506740-0427	(Cross-brace double Hemi abduct., UltraLight 80° SB42 ST48, mystic purple)	01.01.2004 → 31.12.2009	1
9	1506740-0442	(Cross-brace double Hemi abduct., UltraLight 80° SB42 ST48, night shimmer)	01.01.2009 →	1
9	1506740-0443	(Cross-brace double Hemi abduct., UltraLight 80° SB42 ST48, pearly sapphire)	01.01.2004 → 31.12.2009	1
9	1506740-3524	(Cross-brace double Hemi abduct., UltraLight 80° SB42 ST48, royal red)		1
9	1506740-5969	(Cross-brace double Hemi abduct., UltraLight 80° SB42 ST48, royal blue)		1
9	1506740-9005	(Cross-brace double Hemi abduct., UltraLight 80° SB42 ST48, black, glossy)		1
9	1506740-9119	(Cross-brace double Hemi abduct., UltraLight 80° SB42 ST48, black, bronze)		1
10	1506741-0419	(Cross-brace double Hemi abduct., UltraLight 80° SB42 ST50, silver grey)		1
10	1506741-0424	(Cross-brace double Hemi abduct., UltraLight 80° SB42 ST50, cyber green)	01.01.2004 → 31.12.2009	1
10	1506741-0427	(Cross-brace double Hemi abduct., UltraLight 80° SB42 ST50, mystic purple)	01.01.2004 → 31.12.2009	1
10	1506741-0442	(Cross-brace double Hemi abduct., UltraLight 80° SB42 ST50, night shimmer)	01.01.2009 →	1
10	1506741-0443	(Cross-brace double Hemi abduct., UltraLight 80° SB42 ST50, pearly sapphire)	01.01.2004 → 31.12.2009	1
10	1506741-3524	(Cross-brace double Hemi abduct., UltraLight 80° SB42 ST50, royal red)		1
10	1506741-5969	(Cross-brace double Hemi abduct., UltraLight 80° SB42 ST50, royal blue)		1
10	1506741-9005	(Cross-brace double Hemi abduct., UltraLight 80° SB42 ST50, black, glossy)		1
10	1506741-9119	(Cross-brace double Hemi abduct., UltraLight 80° SB42 ST50, black, bronze)		1
11	1506742-0419	(Cross-brace double Hemi abduct., UltraLight 80° SB44 ST32, silver grey)		1
11	1506742-0424	(Cross-brace double Hemi abduct., UltraLight 80° SB44 ST32, cyber green)	01.01.2004 → 31.12.2009	1
11	1506742-0427	(Cross-brace double Hemi abduct., UltraLight 80° SB44 ST32, mystic purple)	01.01.2004 → 31.12.2009	1

**(Cross brace to frame 80°, SB42-50)**

11	1506742-0442	(Cross-brace double Hemi abduct., UltraLight 80° SB44 ST32, night shimmer)	01.01.2009 →	1
11	1506742-0443	(Cross-brace double Hemi abduct., UltraLight 80° SB44 ST32, pearly sapphire)	01.01.2004 → 31.12.2009	1
11	1506742-3524	(Cross-brace double Hemi abduct., UltraLight 80° SB44 ST32, royal red)		1
11	1506742-5969	(Cross-brace double Hemi abduct., UltraLight 80° SB44 ST32, royal blue)		1
11	1506742-9005	(Cross-brace double Hemi abduct., UltraLight 80° SB44 ST32, black, glossy)		1
11	1506742-9119	(Cross-brace double Hemi abduct., UltraLight 80° SB44 ST32, black, bronze)		1
12	1506743-0419	(Cross-brace double Hemi abduct., UltraLight 80° SB44 ST34, silver grey)		1
12	1506743-0424	(Cross-brace double Hemi abduct., UltraLight 80° SB44 ST34, cyber green)	01.01.2004 → 31.12.2009	1
12	1506743-0427	(Cross-brace double Hemi abduct., UltraLight 80° SB44 ST34, mystic purple)	01.01.2004 → 31.12.2009	1
12	1506743-0442	(Cross-brace double Hemi abduct., UltraLight 80° SB44 ST34, night shimmer)	01.01.2009 →	1
12	1506743-0443	(Cross-brace double Hemi abduct., UltraLight 80° SB44 ST34, pearly sapphire)	01.01.2004 → 31.12.2009	1
12	1506743-3524	(Cross-brace double Hemi abduct., UltraLight 80° SB44 ST34, royal red)		1
12	1506743-5969	(Cross-brace double Hemi abduct., UltraLight 80° SB44 ST34, royal blue)		1
12	1506743-9005	(Cross-brace double Hemi abduct., UltraLight 80° SB44 ST34, black, glossy)		1
12	1506743-9119	(Cross-brace double Hemi abduct., UltraLight 80° SB44 ST34, black, bronze)		1
13	1506744-0419	(Cross-brace double Hemi abduct., UltraLight 80° SB44 ST36, silver grey)		1
13	1506744-0424	(Cross-brace double Hemi abduct., UltraLight 80° SB44 ST36, cyber green)	01.01.2004 → 31.12.2009	1
13	1506744-0427	(Cross-brace double Hemi abduct., UltraLight 80° SB44 ST36, mystic purple)	01.01.2004 → 31.12.2009	1
13	1506744-0442	(Cross-brace double Hemi abduct., UltraLight 80° SB44 ST36, night shimmer)	01.01.2009 →	1
13	1506744-0443	(Cross-brace double Hemi abduct., UltraLight 80° SB44 ST36, pearly sapphire)	01.01.2004 → 31.12.2009	1
13	1506744-3524	(Cross-brace double Hemi abduct., UltraLight 80° SB44 ST36, royal red)		1
13	1506744-5969	(Cross-brace double Hemi abduct., UltraLight 80° SB44 ST36, royal blue)		1
13	1506744-9005	(Cross-brace double Hemi abduct., UltraLight 80° SB44 ST36, black, glossy)		1
13	1506744-9119	(Cross-brace double Hemi abduct., UltraLight 80° SB44 ST36, black, bronze)		1
14	1506745-0419	(Cross-brace double Hemi abduct., UltraLight 80° SB44 ST38, silver grey)		1
14	1506745-0424	(Cross-brace double Hemi abduct., UltraLight 80° SB44 ST38, cyber green)	01.01.2004 → 31.12.2009	1
14	1506745-0427	(Cross-brace double Hemi abduct., UltraLight 80° SB44 ST38, mystic purple)	01.01.2004 → 31.12.2009	1
14	1506745-0442	(Cross-brace double Hemi abduct., UltraLight 80° SB44 ST38, night shimmer)	01.01.2009 →	1
14	1506745-0443	(Cross-brace double Hemi abduct., UltraLight 80° SB44 ST38, pearly sapphire)	01.01.2004 → 31.12.2009	1
14	1506745-3524	(Cross-brace double Hemi abduct., UltraLight 80° SB44 ST38, royal red)		1
14	1506745-5969	(Cross-brace double Hemi abduct., UltraLight 80° SB44 ST38, royal blue)		1
14	1506745-9005	(Cross-brace double Hemi abduct., UltraLight 80° SB44 ST38, black, glossy)		1
14	1506745-9119	(Cross-brace double Hemi abduct., UltraLight 80° SB44 ST38, black, bronze)		1
15	1506746-0419	(Cross-brace double Hemi abduct., UltraLight 80° SB44 ST40, silver grey)		1
15	1506746-0424	(Cross-brace double Hemi abduct., UltraLight 80° SB44 ST40, cyber green)	01.01.2004 → 31.12.2009	1
15	1506746-0427	(Cross-brace double Hemi abduct., UltraLight 80° SB44 ST40, mystic purple)	01.01.2004 → 31.12.2009	1

**(Cross brace to frame 80°, SB42-50)**

15	1506746-0442	(Cross-brace double Hemi abduct., UltraLight 80° SB44 ST40, night shimmer)	01.01.2009 →	1
15	1506746-0443	(Cross-brace double Hemi abduct., UltraLight 80° SB44 ST40, pearly sapphire)	01.01.2004 → 31.12.2009	1
15	1506746-3524	(Cross-brace double Hemi abduct., UltraLight 80° SB44 ST40, royal red)		1
15	1506746-5969	(Cross-brace double Hemi abduct., UltraLight 80° SB44 ST40, royal blue)		1
15	1506746-9005	(Cross-brace double Hemi abduct., UltraLight 80° SB44 ST40, black, glossy)		1
15	1506746-9119	(Cross-brace double Hemi abduct., UltraLight 80° SB44 ST40, black, bronze)		1
16	1506747-0419	(Cross-brace double Hemi abduct., UltraLight 80° SB44 ST42, silver grey)		1
16	1506747-0424	(Cross-brace double Hemi abduct., UltraLight 80° SB44 ST42, cyber green)	01.01.2004 → 31.12.2009	1
16	1506747-0427	(Cross-brace double Hemi abduct., UltraLight 80° SB44 ST42, mystic purple)	01.01.2004 → 31.12.2009	1
16	1506747-0442	(Cross-brace double Hemi abduct., UltraLight 80° SB44 ST42, night shimmer)	01.01.2009 →	1
16	1506747-0443	(Cross-brace double Hemi abduct., UltraLight 80° SB44 ST42, pearly sapphire)	01.01.2004 → 31.12.2009	1
16	1506747-3524	(Cross-brace double Hemi abduct., UltraLight 80° SB44 ST42, royal red)		1
16	1506747-5969	(Cross-brace double Hemi abduct., UltraLight 80° SB44 ST42, royal blue)		1
16	1506747-9005	(Cross-brace double Hemi abduct., UltraLight 80° SB44 ST42, black, glossy)		1
16	1506747-9119	(Cross-brace double Hemi abduct., UltraLight 80° SB44 ST42, black, bronze)		1
17	1506748-0419	(Cross-brace double Hemi abduct., UltraLight 80° SB44 ST44, silver grey)		1
17	1506748-0424	(Cross-brace double Hemi abduct., UltraLight 80° SB44 ST44, cyber green)	01.01.2004 → 31.12.2009	1
17	1506748-0427	(Cross-brace double Hemi abduct., UltraLight 80° SB44 ST44, mystic purple)	01.01.2004 → 31.12.2009	1
17	1506748-0442	(Cross-brace double Hemi abduct., UltraLight 80° SB44 ST44, night shimmer)	01.01.2009 →	1
17	1506748-0443	(Cross-brace double Hemi abduct., UltraLight 80° SB44 ST44, pearly sapphire)	01.01.2004 → 31.12.2009	1
17	1506748-3524	(Cross-brace double Hemi abduct., UltraLight 80° SB44 ST44, royal red)		1
17	1506748-5969	(Cross-brace double Hemi abduct., UltraLight 80° SB44 ST44, royal blue)		1
17	1506748-9005	(Cross-brace double Hemi abduct., UltraLight 80° SB44 ST44, black, glossy)		1
17	1506748-9119	(Cross-brace double Hemi abduct., UltraLight 80° SB44 ST44, black, bronze)		1
18	1506749-0419	(Cross-brace double Hemi abduct., UltraLight 80° SB44 ST46, silver grey)		1
18	1506749-0424	(Cross-brace double Hemi abduct., UltraLight 80° SB44 ST46, cyber green)	01.01.2004 → 31.12.2009	1
18	1506749-0427	(Cross-brace double Hemi abduct., UltraLight 80° SB44 ST46, mystic purple)	01.01.2004 → 31.12.2009	1
18	1506749-0442	(Cross-brace double Hemi abduct., UltraLight 80° SB44 ST46, night shimmer)	01.01.2009 →	1
18	1506749-0443	(Cross-brace double Hemi abduct., UltraLight 80° SB44 ST46, pearly sapphire)	01.01.2004 → 31.12.2009	1
18	1506749-3524	(Cross-brace double Hemi abduct., UltraLight 80° SB44 ST46, royal red)		1
18	1506749-5969	(Cross-brace double Hemi abduct., UltraLight 80° SB44 ST46, royal blue)		1
18	1506749-9005	(Cross-brace double Hemi abduct., UltraLight 80° SB44 ST46, black, glossy)		1
18	1506749-9119	(Cross-brace double Hemi abduct., UltraLight 80° SB44 ST46, black, bronze)		1
19	1506750-0419	(Cross-brace double Hemi abduct., UltraLight 80° SB44 ST48, silver grey)		1
19	1506750-0424	(Cross-brace double Hemi abduct., UltraLight 80° SB44 ST48, cyber green)	01.01.2004 → 31.12.2009	1
19	1506750-0427	(Cross-brace double Hemi abduct., UltraLight 80° SB44 ST48, mystic purple)	01.01.2004 → 31.12.2009	1

**(Cross brace to frame 80°, SB42-50)**

19	1506750-0442	(Cross-brace double Hemi abduct., UltraLight 80° SB44 ST48, night shimmer)	01.01.2009 →	1
19	1506750-0443	(Cross-brace double Hemi abduct., UltraLight 80° SB44 ST48, pearly sapphire)	01.01.2004 → 31.12.2009	1
19	1506750-3524	(Cross-brace double Hemi abduct., UltraLight 80° SB44 ST48, royal red)		1
19	1506750-5969	(Cross-brace double Hemi abduct., UltraLight 80° SB44 ST48, royal blue)		1
19	1506750-9005	(Cross-brace double Hemi abduct., UltraLight 80° SB44 ST48, black, glossy)		1
19	1506750-9119	(Cross-brace double Hemi abduct., UltraLight 80° SB44 ST48, black, bronze)		1
20	1506751-0419	(Cross-brace double Hemi abduct., UltraLight 80° SB44 ST50, silver grey)		1
20	1506751-0424	(Cross-brace double Hemi abduct., UltraLight 80° SB44 ST50, cyber green)	01.01.2004 → 31.12.2009	1
20	1506751-0427	(Cross-brace double Hemi abduct., UltraLight 80° SB44 ST50, mystic purple)	01.01.2004 → 31.12.2009	1
20	1506751-0442	(Cross-brace double Hemi abduct., UltraLight 80° SB44 ST50, night shimmer)	01.01.2009 →	1
20	1506751-0443	(Cross-brace double Hemi abduct., UltraLight 80° SB44 ST50, pearly sapphire)	01.01.2004 → 31.12.2009	1
20	1506751-3524	(Cross-brace double Hemi abduct., UltraLight 80° SB44 ST50, royal red)		1
20	1506751-5969	(Cross-brace double Hemi abduct., UltraLight 80° SB44 ST50, royal blue)		1
20	1506751-9005	(Cross-brace double Hemi abduct., UltraLight 80° SB44 ST50, black, glossy)		1
20	1506751-9119	(Cross-brace double Hemi abduct., UltraLight 80° SB44 ST50, black, bronze)		1
21	1506752-0419	(Cross-brace double Hemi abduct., UltraLight 80° SB46 ST32, silver grey)		1
21	1506752-0424	(Cross-brace double Hemi abduct., UltraLight 80° SB46 ST32, cyber green)	01.01.2004 → 31.12.2009	1
21	1506752-0427	(Cross-brace double Hemi abduct., UltraLight 80° SB46 ST32, mystic purple)	01.01.2004 → 31.12.2009	1
21	1506752-0442	(Cross-brace double Hemi abduct., UltraLight 80° SB46 ST32, night shimmer)	01.01.2009 →	1
21	1506752-0443	(Cross-brace double Hemi abduct., UltraLight 80° SB46 ST32, pearly sapphire)	01.01.2004 → 31.12.2009	1
21	1506752-3524	(Cross-brace double Hemi abduct., UltraLight 80° SB46 ST32, royal red)		1
21	1506752-5969	(Cross-brace double Hemi abduct., UltraLight 80° SB46 ST32, royal blue)		1
21	1506752-9005	(Cross-brace double Hemi abduct., UltraLight 80° SB46 ST32, black, glossy)		1
21	1506752-9119	(Cross-brace double Hemi abduct., UltraLight 80° SB46 ST32, black, bronze)		1
22	1506753-0419	(Cross-brace double Hemi abduct., UltraLight 80° SB46 ST34, silver grey)		1
22	1506753-0424	(Cross-brace double Hemi abduct., UltraLight 80° SB46 ST34, cyber green)	01.01.2004 → 31.12.2009	1
22	1506753-0427	(Cross-brace double Hemi abduct., UltraLight 80° SB46 ST34, mystic purple)	01.01.2004 → 31.12.2009	1
22	1506753-0442	(Cross-brace double Hemi abduct., UltraLight 80° SB46 ST34, night shimmer)	01.01.2009 →	1
22	1506753-0443	(Cross-brace double Hemi abduct., UltraLight 80° SB46 ST34, pearly sapphire)	01.01.2004 → 31.12.2009	1
22	1506753-3524	(Cross-brace double Hemi abduct., UltraLight 80° SB46 ST34, royal red)		1
22	1506753-5969	(Cross-brace double Hemi abduct., UltraLight 80° SB46 ST34, royal blue)		1
22	1506753-9005	(Cross-brace double Hemi abduct., UltraLight 80° SB46 ST34, black, glossy)		1
22	1506753-9119	(Cross-brace double Hemi abduct., UltraLight 80° SB46 ST34, black, bronze)		1
23	1506754-0419	(Cross-brace double Hemi abduct., UltraLight 80° SB46 ST36, silver grey)		1
23	1506754-0424	(Cross-brace double Hemi abduct., UltraLight 80° SB46 ST36, cyber green)	01.01.2004 → 31.12.2009	1
23	1506754-0427	(Cross-brace double Hemi abduct., UltraLight 80° SB46 ST36, mystic purple)	01.01.2004 → 31.12.2009	1

**(Cross brace to frame 80°, SB42-50)**

23	1506754-0442	(Cross-brace double Hemi abduct., UltraLight 80° SB46 ST36, night shimmer)	01.01.2009 →	1
23	1506754-0443	(Cross-brace double Hemi abduct., UltraLight 80° SB46 ST36, pearly sapphire)	01.01.2004 → 31.12.2009	1
23	1506754-3524	(Cross-brace double Hemi abduct., UltraLight 80° SB46 ST36, royal red)		1
23	1506754-5969	(Cross-brace double Hemi abduct., UltraLight 80° SB46 ST36, royal blue)		1
23	1506754-9005	(Cross-brace double Hemi abduct., UltraLight 80° SB46 ST36, black, glossy)		1
23	1506754-9119	(Cross-brace double Hemi abduct., UltraLight 80° SB46 ST36, black, bronze)		1
24	1506755-0419	(Cross-brace double Hemi abduct., UltraLight 80° SB46 ST38, silver grey)		1
24	1506755-0424	(Cross-brace double Hemi abduct., UltraLight 80° SB46 ST38, cyber green)	01.01.2004 → 31.12.2009	1
24	1506755-0427	(Cross-brace double Hemi abduct., UltraLight 80° SB46 ST38, mystic purple)	01.01.2004 → 31.12.2009	1
24	1506755-0442	(Cross-brace double Hemi abduct., UltraLight 80° SB46 ST38, night shimmer)	01.01.2009 →	1
24	1506755-0443	(Cross-brace double Hemi abduct., UltraLight 80° SB46 ST38, pearly sapphire)	01.01.2004 → 31.12.2009	1
24	1506755-3524	(Cross-brace double Hemi abduct., UltraLight 80° SB46 ST38, royal red)		1
24	1506755-5969	(Cross-brace double Hemi abduct., UltraLight 80° SB46 ST38, royal blue)		1
24	1506755-9005	(Cross-brace double Hemi abduct., UltraLight 80° SB46 ST38, black, glossy)		1
24	1506755-9119	(Cross-brace double Hemi abduct., UltraLight 80° SB46 ST38, black, bronze)		1
25	1506756-0419	(Cross-brace double Hemi abduct., UltraLight 80° SB46 ST40, silver grey)		1
25	1506756-0424	(Cross-brace double Hemi abduct., UltraLight 80° SB46 ST40, cyber green)	01.01.2004 → 31.12.2009	1
25	1506756-0427	(Cross-brace double Hemi abduct., UltraLight 80° SB46 ST40, mystic purple)	01.01.2004 → 31.12.2009	1
25	1506756-0442	(Cross-brace double Hemi abduct., UltraLight 80° SB46 ST40, night shimmer)	01.01.2009 →	1
25	1506756-0443	(Cross-brace double Hemi abduct., UltraLight 80° SB46 ST40, pearly sapphire)	01.01.2004 → 31.12.2009	1
25	1506756-3524	(Cross-brace double Hemi abduct., UltraLight 80° SB46 ST40, royal red)		1
25	1506756-5969	(Cross-brace double Hemi abduct., UltraLight 80° SB46 ST40, royal blue)		1
25	1506756-9005	(Cross-brace double Hemi abduct., UltraLight 80° SB46 ST40, black, glossy)		1
25	1506756-9119	(Cross-brace double Hemi abduct., UltraLight 80° SB46 ST40, black, bronze)		1
26	1506757-0419	(Cross-brace double Hemi abduct., UltraLight 80° SB46 ST42, silver grey)		1
26	1506757-0424	(Cross-brace double Hemi abduct., UltraLight 80° SB46 ST42, cyber green)	01.01.2004 → 31.12.2009	1
26	1506757-0427	(Cross-brace double Hemi abduct., UltraLight 80° SB46 ST42, mystic purple)	01.01.2004 → 31.12.2009	1
26	1506757-0442	(Cross-brace double Hemi abduct., UltraLight 80° SB46 ST42, night shimmer)	01.01.2009 →	1
26	1506757-0443	(Cross-brace double Hemi abduct., UltraLight 80° SB46 ST42, pearly sapphire)	01.01.2004 → 31.12.2009	1
26	1506757-3524	(Cross-brace double Hemi abduct., UltraLight 80° SB46 ST42, royal red)		1
26	1506757-5969	(Cross-brace double Hemi abduct., UltraLight 80° SB46 ST42, royal blue)		1
26	1506757-9005	(Cross-brace double Hemi abduct., UltraLight 80° SB46 ST42, black, glossy)		1
26	1506757-9119	(Cross-brace double Hemi abduct., UltraLight 80° SB46 ST42, black, bronze)		1
27	1506758-0419	(Cross-brace double Hemi abduct., UltraLight 80° SB46 ST44, silver grey)		1
27	1506758-0424	(Cross-brace double Hemi abduct., UltraLight 80° SB46 ST44, cyber green)	01.01.2004 → 31.12.2009	1
27	1506758-0427	(Cross-brace double Hemi abduct., UltraLight 80° SB46 ST44, mystic purple)	01.01.2004 → 31.12.2009	1

**(Cross brace to frame 80°, SB42-50)**

27	1506758-0442	(Cross-brace double Hemi abduct., UltraLight 80° SB46 ST44, night shimmer)	01.01.2009 →	1
27	1506758-0443	(Cross-brace double Hemi abduct., UltraLight 80° SB46 ST44, pearly sapphire)	01.01.2004 → 31.12.2009	1
27	1506758-3524	(Cross-brace double Hemi abduct., UltraLight 80° SB46 ST44, royal red)		1
27	1506758-5969	(Cross-brace double Hemi abduct., UltraLight 80° SB46 ST44, royal blue)		1
27	1506758-9005	(Cross-brace double Hemi abduct., UltraLight 80° SB46 ST44, black, glossy)		1
27	1506758-9119	(Cross-brace double Hemi abduct., UltraLight 80° SB46 ST44, black, bronze)		1
28	1506759-0419	(Cross-brace double Hemi abduct., UltraLight 80° SB46 ST46, silver grey)		1
28	1506759-0424	(Cross-brace double Hemi abduct., UltraLight 80° SB46 ST46, cyber green)	01.01.2004 → 31.12.2009	1
28	1506759-0427	(Cross-brace double Hemi abduct., UltraLight 80° SB46 ST46, mystic purple)	01.01.2004 → 31.12.2009	1
28	1506759-0442	(Cross-brace double Hemi abduct., UltraLight 80° SB46 ST46, night shimmer)	01.01.2009 →	1
28	1506759-0443	(Cross-brace double Hemi abduct., UltraLight 80° SB46 ST46, pearly sapphire)	01.01.2004 → 31.12.2009	1
28	1506759-3524	(Cross-brace double Hemi abduct., UltraLight 80° SB46 ST46, royal red)		1
28	1506759-5969	(Cross-brace double Hemi abduct., UltraLight 80° SB46 ST46, royal blue)		1
28	1506759-9005	(Cross-brace double Hemi abduct., UltraLight 80° SB46 ST46, black, glossy)		1
28	1506759-9119	(Cross-brace double Hemi abduct., UltraLight 80° SB46 ST46, black, bronze)		1
29	1506760-0419	(Cross-brace double Hemi abduct., UltraLight 80° SB46 ST48, silver grey)		1
29	1506760-0424	(Cross-brace double Hemi abduct., UltraLight 80° SB46 ST48, cyber green)	01.01.2004 → 31.12.2009	1
29	1506760-0427	(Cross-brace double Hemi abduct., UltraLight 80° SB46 ST48, mystic purple)	01.01.2004 → 31.12.2009	1
29	1506760-0442	(Cross-brace double Hemi abduct., UltraLight 80° SB46 ST48, night shimmer)	01.01.2009 →	1
29	1506760-0443	(Cross-brace double Hemi abduct., UltraLight 80° SB46 ST48, pearly sapphire)	01.01.2004 → 31.12.2009	1
29	1506760-3524	(Cross-brace double Hemi abduct., UltraLight 80° SB46 ST48, royal red)		1
29	1506760-5969	(Cross-brace double Hemi abduct., UltraLight 80° SB46 ST48, royal blue)		1
29	1506760-9005	(Cross-brace double Hemi abduct., UltraLight 80° SB46 ST48, black, glossy)		1
29	1506760-9119	(Cross-brace double Hemi abduct., UltraLight 80° SB46 ST48, black, bronze)		1
30	1506761-0419	(Cross-brace double Hemi abduct., UltraLight 80° SB46 ST50, silver grey)		1
30	1506761-0424	(Cross-brace double Hemi abduct., UltraLight 80° SB46 ST50, cyber green)	01.01.2004 → 31.12.2009	1
30	1506761-0427	(Cross-brace double Hemi abduct., UltraLight 80° SB46 ST50, mystic purple)	01.01.2004 → 31.12.2009	1
30	1506761-0442	(Cross-brace double Hemi abduct., UltraLight 80° SB46 ST50, night shimmer)	01.01.2009 →	1
30	1506761-0443	(Cross-brace double Hemi abduct., UltraLight 80° SB46 ST50, pearly sapphire)	01.01.2004 → 31.12.2009	1
30	1506761-3524	(Cross-brace double Hemi abduct., UltraLight 80° SB46 ST50, royal red)		1
30	1506761-5969	(Cross-brace double Hemi abduct., UltraLight 80° SB46 ST50, royal blue)		1
30	1506761-9005	(Cross-brace double Hemi abduct., UltraLight 80° SB46 ST50, black, glossy)		1
30	1506761-9119	(Cross-brace double Hemi abduct., UltraLight 80° SB46 ST50, black, bronze)		1
31	1506762-0419	(Cross-brace double Hemi abduct., UltraLight 80° SB48 ST32, silver grey)		1
31	1506762-0424	(Cross-brace double Hemi abduct., UltraLight 80° SB48 ST32, cyber green)	01.01.2004 → 31.12.2009	1
31	1506762-0427	(Cross-brace double Hemi abduct., UltraLight 80° SB48 ST32, mystic purple)	01.01.2004 → 31.12.2009	1



**(Cross brace to frame 80°, SB42-50)**

31	1506762-0442	(Cross-brace double Hemi abduct., UltraLight 80° SB48 ST32, night shimmer)	01.01.2009 →	1
31	1506762-0443	(Cross-brace double Hemi abduct., UltraLight 80° SB48 ST32, pearly sapphire)	01.01.2004 → 31.12.2009	1
31	1506762-3524	(Cross-brace double Hemi abduct., UltraLight 80° SB48 ST32, royal red)		1
31	1506762-5969	(Cross-brace double Hemi abduct., UltraLight 80° SB48 ST32, royal blue)		1
31	1506762-9005	(Cross-brace double Hemi abduct., UltraLight 80° SB48 ST32, black, glossy)		1
31	1506762-9119	(Cross-brace double Hemi abduct., UltraLight 80° SB48 ST32, black, bronze)		1
32	1506763-0419	(Cross-brace double Hemi abduct., UltraLight 80° SB48 ST34, silver grey)		1
32	1506763-0424	(Cross-brace double Hemi abduct., UltraLight 80° SB48 ST34, cyber green)	01.01.2004 → 31.12.2009	1
32	1506763-0427	(Cross-brace double Hemi abduct., UltraLight 80° SB48 ST34, mystic purple)	01.01.2004 → 31.12.2009	1
32	1506763-0442	(Cross-brace double Hemi abduct., UltraLight 80° SB48 ST34, night shimmer)	01.01.2009 →	1
32	1506763-0443	(Cross-brace double Hemi abduct., UltraLight 80° SB48 ST34, pearly sapphire)	01.01.2004 → 31.12.2009	1
32	1506763-3524	(Cross-brace double Hemi abduct., UltraLight 80° SB48 ST34, royal red)		1
32	1506763-5969	(Cross-brace double Hemi abduct., UltraLight 80° SB48 ST34, royal blue)		1
32	1506763-9005	(Cross-brace double Hemi abduct., UltraLight 80° SB48 ST34, black, glossy)		1
32	1506763-9119	(Cross-brace double Hemi abduct., UltraLight 80° SB48 ST34, black, bronze)		1
33	1506764-0419	(Cross-brace double Hemi abduct., UltraLight 80° SB48 ST36, silver grey)		1
33	1506764-0424	(Cross-brace double Hemi abduct., UltraLight 80° SB48 ST36, cyber green)	01.01.2004 → 31.12.2009	1
33	1506764-0427	(Cross-brace double Hemi abduct., UltraLight 80° SB48 ST36, mystic purple)	01.01.2004 → 31.12.2009	1
33	1506764-0442	(Cross-brace double Hemi abduct., UltraLight 80° SB48 ST36, night shimmer)	01.01.2009 →	1
33	1506764-0443	(Cross-brace double Hemi abduct., UltraLight 80° SB48 ST36, pearly sapphire)	01.01.2004 → 31.12.2009	1
33	1506764-3524	(Cross-brace double Hemi abduct., UltraLight 80° SB48 ST36, royal red)		1
33	1506764-5969	(Cross-brace double Hemi abduct., UltraLight 80° SB48 ST36, royal blue)		1
33	1506764-9005	(Cross-brace double Hemi abduct., UltraLight 80° SB48 ST36, black, glossy)		1
33	1506764-9119	(Cross-brace double Hemi abduct., UltraLight 80° SB48 ST36, black, bronze)		1
34	1506765-0419	(Cross-brace double Hemi abduct., UltraLight 80° SB48 ST38, silver grey)		1
34	1506765-0424	(Cross-brace double Hemi abduct., UltraLight 80° SB48 ST38, cyber green)	01.01.2004 → 31.12.2009	1
34	1506765-0427	(Cross-brace double Hemi abduct., UltraLight 80° SB48 ST38, mystic purple)	01.01.2004 → 31.12.2009	1
34	1506765-0442	(Cross-brace double Hemi abduct., UltraLight 80° SB48 ST38, night shimmer)	01.01.2009 →	1
34	1506765-0443	(Cross-brace double Hemi abduct., UltraLight 80° SB48 ST38, pearly sapphire)	01.01.2004 → 31.12.2009	1
34	1506765-3524	(Cross-brace double Hemi abduct., UltraLight 80° SB48 ST38, royal red)		1
34	1506765-5969	(Cross-brace double Hemi abduct., UltraLight 80° SB48 ST38, royal blue)		1
34	1506765-9005	(Cross-brace double Hemi abduct., UltraLight 80° SB48 ST38, black, glossy)		1
34	1506765-9119	(Cross-brace double Hemi abduct., UltraLight 80° SB48 ST38, black, bronze)		1
35	1506766-0419	(Cross-brace double Hemi abduct., UltraLight 80° SB48 ST40, silver grey)		1
35	1506766-0424	(Cross-brace double Hemi abduct., UltraLight 80° SB48 ST40, cyber green)	01.01.2004 → 31.12.2009	1
35	1506766-0427	(Cross-brace double Hemi abduct., UltraLight 80° SB48 ST40, mystic purple)	01.01.2004 → 31.12.2009	1

**(Cross brace to frame 80°, SB42-50)**

35	1506766-0442	(Cross-brace double Hemi abduct., UltraLight 80° SB48 ST40, night shimmer)	01.01.2009 →	1
35	1506766-0443	(Cross-brace double Hemi abduct., UltraLight 80° SB48 ST40, pearly sapphire)	01.01.2004 → 31.12.2009	1
35	1506766-3524	(Cross-brace double Hemi abduct., UltraLight 80° SB48 ST40, royal red)		1
35	1506766-5969	(Cross-brace double Hemi abduct., UltraLight 80° SB48 ST40, royal blue)		1
35	1506766-9005	(Cross-brace double Hemi abduct., UltraLight 80° SB48 ST40, black, glossy)		1
35	1506766-9119	(Cross-brace double Hemi abduct., UltraLight 80° SB48 ST40, black, bronze)		1
36	1506767-0419	(Cross-brace double Hemi abduct., UltraLight 80° SB48 ST42, silver grey)		1
36	1506767-0424	(Cross-brace double Hemi abduct., UltraLight 80° SB48 ST42, cyber green)	01.01.2004 → 31.12.2009	1
36	1506767-0427	(Cross-brace double Hemi abduct., UltraLight 80° SB48 ST42, mystic purple)	01.01.2004 → 31.12.2009	1
36	1506767-0442	(Cross-brace double Hemi abduct., UltraLight 80° SB48 ST42, night shimmer)	01.01.2009 →	1
36	1506767-0443	(Cross-brace double Hemi abduct., UltraLight 80° SB48 ST42, pearly sapphire)	01.01.2004 → 31.12.2009	1
36	1506767-3524	(Cross-brace double Hemi abduct., UltraLight 80° SB48 ST42, royal red)		1
36	1506767-5969	(Cross-brace double Hemi abduct., UltraLight 80° SB48 ST42, royal blue)		1
36	1506767-9005	(Cross-brace double Hemi abduct., UltraLight 80° SB48 ST42, black, glossy)		1
36	1506767-9119	(Cross-brace double Hemi abduct., UltraLight 80° SB48 ST42, black, bronze)		1
37	1506768-0419	(Cross-brace double Hemi abduct., UltraLight 80° SB48 ST44, silver grey)		1
37	1506768-0424	(Cross-brace double Hemi abduct., UltraLight 80° SB48 ST44, cyber green)	01.01.2004 → 31.12.2009	1
37	1506768-0427	(Cross-brace double Hemi abduct., UltraLight 80° SB48 ST44, mystic purple)	01.01.2004 → 31.12.2009	1
37	1506768-0442	(Cross-brace double Hemi abduct., UltraLight 80° SB48 ST44, night shimmer)	01.01.2009 →	1
37	1506768-0443	(Cross-brace double Hemi abduct., UltraLight 80° SB48 ST44, pearly sapphire)	01.01.2004 → 31.12.2009	1
37	1506768-3524	(Cross-brace double Hemi abduct., UltraLight 80° SB48 ST44, royal red)		1
37	1506768-5969	(Cross-brace double Hemi abduct., UltraLight 80° SB48 ST44, royal blue)		1
37	1506768-9005	(Cross-brace double Hemi abduct., UltraLight 80° SB48 ST44, black, glossy)		1
37	1506768-9119	(Cross-brace double Hemi abduct., UltraLight 80° SB48 ST44, black, bronze)		1
38	1506769-0419	(Cross-brace double Hemi abduct., UltraLight 80° SB48 ST46, silver grey)		1
38	1506769-0424	(Cross-brace double Hemi abduct., UltraLight 80° SB48 ST46, cyber green)	01.01.2004 → 31.12.2009	1
38	1506769-0427	(Cross-brace double Hemi abduct., UltraLight 80° SB48 ST46, mystic purple)	01.01.2004 → 31.12.2009	1
38	1506769-0442	(Cross-brace double Hemi abduct., UltraLight 80° SB48 ST46, night shimmer)	01.01.2009 →	1
38	1506769-0443	(Cross-brace double Hemi abduct., UltraLight 80° SB48 ST46, pearly sapphire)	01.01.2004 → 31.12.2009	1
38	1506769-3524	(Cross-brace double Hemi abduct., UltraLight 80° SB48 ST46, royal red)		1
38	1506769-5969	(Cross-brace double Hemi abduct., UltraLight 80° SB48 ST46, royal blue)		1
38	1506769-9005	(Cross-brace double Hemi abduct., UltraLight 80° SB48 ST46, black, glossy)		1
38	1506769-9119	(Cross-brace double Hemi abduct., UltraLight 80° SB48 ST46, black, bronze)		1
39	1506770-0419	(Cross-brace double Hemi abduct., UltraLight 80° SB48 ST48, silver grey)		1
39	1506770-0424	(Cross-brace double Hemi abduct., UltraLight 80° SB48 ST48, cyber green)	01.01.2004 → 31.12.2009	1
39	1506770-0427	(Cross-brace double Hemi abduct., UltraLight 80° SB48 ST48, mystic purple)	01.01.2004 → 31.12.2009	1

**(Cross brace to frame 80°, SB42-50)**

39	1506770-0442	(Cross-brace double Hemi abduct., UltraLight 80° SB48 ST48, night shimmer)	01.01.2009 →	1
39	1506770-0443	(Cross-brace double Hemi abduct., UltraLight 80° SB48 ST48, pearly sapphire)	01.01.2004 → 31.12.2009	1
39	1506770-3524	(Cross-brace double Hemi abduct., UltraLight 80° SB48 ST48, royal red)		1
39	1506770-5969	(Cross-brace double Hemi abduct., UltraLight 80° SB48 ST48, royal blue)		1
39	1506770-9005	(Cross-brace double Hemi abduct., UltraLight 80° SB48 ST48, black, glossy)		1
39	1506770-9119	(Cross-brace double Hemi abduct., UltraLight 80° SB48 ST48, black, bronze)		1
40	1506771-0419	(Cross-brace double Hemi abduct., UltraLight 80° SB48 ST50, silver grey)		1
40	1506771-0424	(Cross-brace double Hemi abduct., UltraLight 80° SB48 ST50, cyber green)	01.01.2004 → 31.12.2009	1
40	1506771-0427	(Cross-brace double Hemi abduct., UltraLight 80° SB48 ST50, mystic purple)	01.01.2004 → 31.12.2009	1
40	1506771-0442	(Cross-brace double Hemi abduct., UltraLight 80° SB48 ST50, night shimmer)	01.01.2009 →	1
40	1506771-0443	(Cross-brace double Hemi abduct., UltraLight 80° SB48 ST50, pearly sapphire)	01.01.2004 → 31.12.2009	1
40	1506771-3524	(Cross-brace double Hemi abduct., UltraLight 80° SB48 ST50, royal red)		1
40	1506771-5969	(Cross-brace double Hemi abduct., UltraLight 80° SB48 ST50, royal blue)		1
40	1506771-9005	(Cross-brace double Hemi abduct., UltraLight 80° SB48 ST50, black, glossy)		1
40	1506771-9119	(Cross-brace double Hemi abduct., UltraLight 80° SB48 ST50, black, bronze)		1
41	1506772-0419	(Cross-brace double Hemi abduct., UltraLight 80° SB50 ST32, silver grey)		1
41	1506772-0424	(Cross-brace double Hemi abduct., UltraLight 80° SB50 ST32, cyber green)	01.01.2004 → 31.12.2009	1
41	1506772-0427	(Cross-brace double Hemi abduct., UltraLight 80° SB50 ST32, mystic purple)	01.01.2004 → 31.12.2009	1
41	1506772-0442	(Cross-brace double Hemi abduct., UltraLight 80° SB50 ST32, night shimmer)	01.01.2009 →	1
41	1506772-0443	(Cross-brace double Hemi abduct., UltraLight 80° SB50 ST32, pearly sapphire)	01.01.2004 → 31.12.2009	1
41	1506772-3524	(Cross-brace double Hemi abduct., UltraLight 80° SB50 ST32, royal red)		1
41	1506772-5969	(Cross-brace double Hemi abduct., UltraLight 80° SB50 ST32, royal blue)		1
41	1506772-9005	(Cross-brace double Hemi abduct., UltraLight 80° SB50 ST32, black, glossy)		1
41	1506772-9119	(Cross-brace double Hemi abduct., UltraLight 80° SB50 ST32, black, bronze)		1
42	1506773-0419	(Cross-brace double Hemi abduct., UltraLight 80° SB50 ST34, silver grey)		1
42	1506773-0424	(Cross-brace double Hemi abduct., UltraLight 80° SB50 ST34, cyber green)	01.01.2004 → 31.12.2009	1
42	1506773-0427	(Cross-brace double Hemi abduct., UltraLight 80° SB50 ST34, mystic purple)	01.01.2004 → 31.12.2009	1
42	1506773-0442	(Cross-brace double Hemi abduct., UltraLight 80° SB50 ST34, night shimmer)	01.01.2009 →	1
42	1506773-0443	(Cross-brace double Hemi abduct., UltraLight 80° SB50 ST34, pearly sapphire)	01.01.2004 → 31.12.2009	1
42	1506773-3524	(Cross-brace double Hemi abduct., UltraLight 80° SB50 ST34, royal red)		1
42	1506773-5969	(Cross-brace double Hemi abduct., UltraLight 80° SB50 ST34, royal blue)		1
42	1506773-9005	(Cross-brace double Hemi abduct., UltraLight 80° SB50 ST34, black, glossy)		1
42	1506773-9119	(Cross-brace double Hemi abduct., UltraLight 80° SB50 ST34, black, bronze)		1
43	1506774-0419	(Cross-brace double Hemi abduct., UltraLight 80° SB50 ST36, silver grey)		1
43	1506774-0424	(Cross-brace double Hemi abduct., UltraLight 80° SB50 ST36, cyber green)	01.01.2004 → 31.12.2009	1
43	1506774-0427	(Cross-brace double Hemi abduct., UltraLight 80° SB50 ST36, mystic purple)	01.01.2004 → 31.12.2009	1

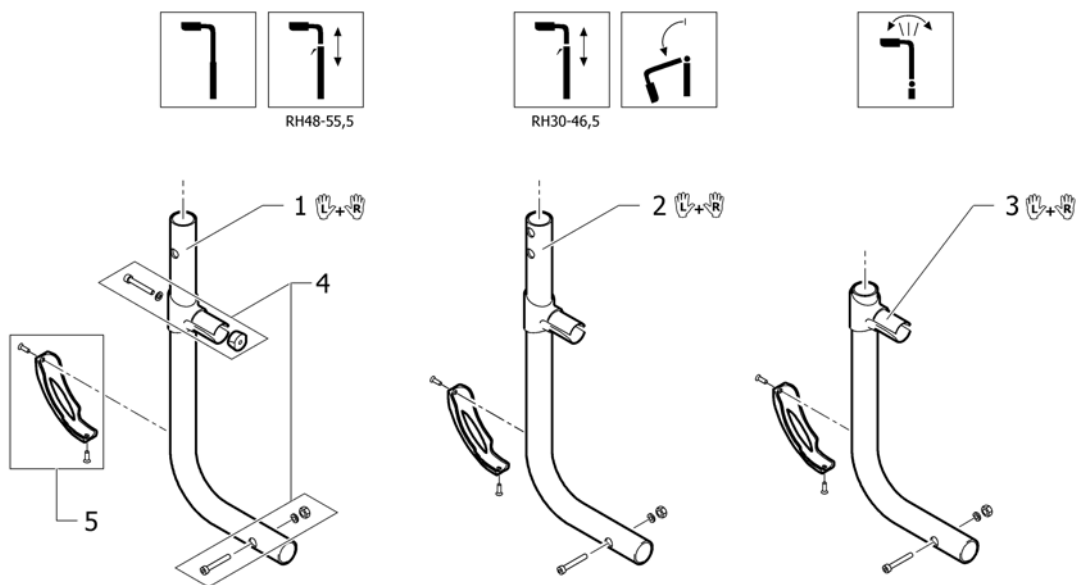
**(Cross brace to frame 80°, SB42-50)**

43	1506774-0442	(Cross-brace double Hemi abduct., UltraLight 80° SB50 ST36, night shimmer)	01.01.2009 →	1
43	1506774-0443	(Cross-brace double Hemi abduct., UltraLight 80° SB50 ST36, pearly sapphire)	01.01.2004 → 31.12.2009	1
43	1506774-3524	(Cross-brace double Hemi abduct., UltraLight 80° SB50 ST36, royal red)		1
43	1506774-5969	(Cross-brace double Hemi abduct., UltraLight 80° SB50 ST36, royal blue)		1
43	1506774-9005	(Cross-brace double Hemi abduct., UltraLight 80° SB50 ST36, black, glossy)		1
43	1506774-9119	(Cross-brace double Hemi abduct., UltraLight 80° SB50 ST36, black, bronze)		1
44	1506775-0419	(Cross-brace double Hemi abduct., UltraLight 80° SB50 ST38, silver grey)		1
44	1506775-0424	(Cross-brace double Hemi abduct., UltraLight 80° SB50 ST38, cyber green)	01.01.2004 → 31.12.2009	1
44	1506775-0427	(Cross-brace double Hemi abduct., UltraLight 80° SB50 ST38, mystic purple)	01.01.2004 → 31.12.2009	1
44	1506775-0442	(Cross-brace double Hemi abduct., UltraLight 80° SB50 ST38, night shimmer)	01.01.2009 →	1
44	1506775-0443	(Cross-brace double Hemi abduct., UltraLight 80° SB50 ST38, pearly sapphire)	01.01.2004 → 31.12.2009	1
44	1506775-3524	(Cross-brace double Hemi abduct., UltraLight 80° SB50 ST38, royal red)		1
44	1506775-5969	(Cross-brace double Hemi abduct., UltraLight 80° SB50 ST38, royal blue)		1
44	1506775-9005	(Cross-brace double Hemi abduct., UltraLight 80° SB50 ST38, black, glossy)		1
44	1506775-9119	(Cross-brace double Hemi abduct., UltraLight 80° SB50 ST38, black, bronze)		1
45	1506776-0419	(Cross-brace double Hemi abduct., UltraLight 80° SB50 ST40, silver grey)		1
45	1506776-0424	(Cross-brace double Hemi abduct., UltraLight 80° SB50 ST40, cyber green)	01.01.2004 → 31.12.2009	1
45	1506776-0427	(Cross-brace double Hemi abduct., UltraLight 80° SB50 ST40, mystic purple)	01.01.2004 → 31.12.2009	1
45	1506776-0442	(Cross-brace double Hemi abduct., UltraLight 80° SB50 ST40, night shimmer)	01.01.2009 →	1
45	1506776-0443	(Cross-brace double Hemi abduct., UltraLight 80° SB50 ST40, pearly sapphire)	01.01.2004 → 31.12.2009	1
45	1506776-3524	(Cross-brace double Hemi abduct., UltraLight 80° SB50 ST40, royal red)		1
45	1506776-5969	(Cross-brace double Hemi abduct., UltraLight 80° SB50 ST40, royal blue)		1
45	1506776-9005	(Cross-brace double Hemi abduct., UltraLight 80° SB50 ST40, black, glossy)		1
45	1506776-9119	(Cross-brace double Hemi abduct., UltraLight 80° SB50 ST40, black, bronze)		1
46	1506777-0419	(Cross-brace double Hemi abduct., UltraLight 80° SB50 ST42, silver grey)		1
46	1506777-0424	(Cross-brace double Hemi abduct., UltraLight 80° SB50 ST42, cyber green)	01.01.2004 → 31.12.2009	1
46	1506777-0427	(Cross-brace double Hemi abduct., UltraLight 80° SB50 ST42, mystic purple)	01.01.2004 → 31.12.2009	1
46	1506777-0442	(Cross-brace double Hemi abduct., UltraLight 80° SB50 ST42, night shimmer)	01.01.2009 →	1
46	1506777-0443	(Cross-brace double Hemi abduct., UltraLight 80° SB50 ST42, pearly sapphire)	01.01.2004 → 31.12.2009	1
46	1506777-3524	(Cross-brace double Hemi abduct., UltraLight 80° SB50 ST42, royal red)		1
46	1506777-5969	(Cross-brace double Hemi abduct., UltraLight 80° SB50 ST42, royal blue)		1
46	1506777-9005	(Cross-brace double Hemi abduct., UltraLight 80° SB50 ST42, black, glossy)		1
46	1506777-9119	(Cross-brace double Hemi abduct., UltraLight 80° SB50 ST42, black, bronze)		1
47	1506778-0419	(Cross-brace double Hemi abduct., UltraLight 80° SB50 ST44, silver grey)		1
47	1506778-0424	(Cross-brace double Hemi abduct., UltraLight 80° SB50 ST44, cyber green)	01.01.2004 → 31.12.2009	1
47	1506778-0427	(Cross-brace double Hemi abduct., UltraLight 80° SB50 ST44, mystic purple)	01.01.2004 → 31.12.2009	1

**(Cross brace to frame 80°, SB42-50)**

47	1506778-0442	(Cross-brace double Hemi abduct., UltraLight 80° SB50 ST44, night shimmer)	01.01.2009 →	1
47	1506778-0443	(Cross-brace double Hemi abduct, UltraLight 80° SB50 ST44, pearly sapphire)	01.01.2004 → 31.12.2009	1
47	1506778-3524	(Cross-brace double Hemi abduct., UltraLight 80° SB50 ST44, royal red)		1
47	1506778-5969	(Cross-brace double Hemi abduct., UltraLight 80° SB50 ST44, royal blue)		1
47	1506778-9005	KRYSS DOBBEL 80G SB50 SD44 COMPACT HEMI		1
47	1506778-9119	(Cross-brace double Hemi abduct., UltraLight 80° SB50 ST44, black, bronze)		1
48	1506779-0419	(Cross-brace double Hemi abduct., UltraLight 80° SB50 ST46, silver grey)		1
48	1506779-0424	(Cross-brace double Hemi abduct., UltraLight 80° SB50 ST46, cyber green)	01.01.2004 → 31.12.2009	1
48	1506779-0427	(Cross-brace double Hemi abduct., UltraLight 80° SB50 ST46, mystic purple)	01.01.2004 → 31.12.2009	1
48	1506779-0442	(Cross-brace double Hemi abduct., UltraLight 80° SB50 ST46, night shimmer)	01.01.2009 →	1
48	1506779-0443	(Cross-brace double Hemi abduct, UltraLight 80° SB50 ST46, pearly sapphire)	01.01.2004 → 31.12.2009	1
48	1506779-3524	(Cross-brace double Hemi abduct., UltraLight 80° SB50 ST46, royal red)		1
48	1506779-5969	(Cross-brace double Hemi abduct., UltraLight 80° SB50 ST46, royal blue)		1
48	1506779-9005	(Cross-brace double Hemi abduct., UltraLight 80° SB50 ST46, black, glossy)		1
48	1506779-9119	(Cross-brace double Hemi abduct., UltraLight 80° SB50 ST46, black, bronze)		1
49	1506780-0419	(Cross-brace double Hemi abduct., UltraLight 80° SB50 ST48, silver grey)		1
49	1506780-0424	(Cross-brace double Hemi abduct., UltraLight 80° SB50 ST48, cyber green)	01.01.2004 → 31.12.2009	1
49	1506780-0427	(Cross-brace double Hemi abduct., UltraLight 80° SB50 ST48, mystic purple)	01.01.2004 → 31.12.2009	1
49	1506780-0442	(Cross-brace double Hemi abduct., UltraLight 80° SB50 ST48, night shimmer)	01.01.2009 →	1
49	1506780-0443	(Cross-brace double Hemi abduct, UltraLight 80° SB50 ST48, pearly sapphire)	01.01.2004 → 31.12.2009	1
49	1506780-3524	(Cross-brace double Hemi abduct., UltraLight 80° SB50 ST48, royal red)		1
49	1506780-5969	(Cross-brace double Hemi abduct., UltraLight 80° SB50 ST48, royal blue)		1
49	1506780-9005	(Cross-brace double Hemi abduct., UltraLight 80° SB50 ST48, black, glossy)		1
49	1506780-9119	(Cross-brace double Hemi abduct., UltraLight 80° SB50 ST48, black, bronze)		1
50	1506781-0419	(Cross-brace double Hemi abduct., UltraLight 80° SB50 ST50, silver grey)		1
50	1506781-0424	(Cross-brace double Hemi abduct., UltraLight 80° SB50 ST50, cyber green)	01.01.2004 → 31.12.2009	1
50	1506781-0427	(Cross-brace double Hemi abduct., UltraLight 80° SB50 ST50, mystic purple)	01.01.2004 → 31.12.2009	1
50	1506781-0442	(Cross-brace double Hemi abduct., UltraLight 80° SB50 ST50, night shimmer)	01.01.2009 →	1
50	1506781-0443	(Cross-brace double Hemi abduct, UltraLight 80° SB50 ST50, pearly sapphire)	01.01.2004 → 31.12.2009	1
50	1506781-3524	(Cross-brace double Hemi abduct., UltraLight 80° SB50 ST50, royal red)		1
50	1506781-5969	(Cross-brace double Hemi abduct., UltraLight 80° SB50 ST50, royal blue)		1
50	1506781-9005	(Cross-brace double Hemi abduct., UltraLight 80° SB50 ST50, black, glossy)		1
50	1506781-9119	(Cross-brace double Hemi abduct., UltraLight 80° SB50 ST50, black, bronze)		1
51	1437944	KRYSSHOLDER STAG SB 40-44 KUSCHALL ULCO		1
52	1437945	(Retaining lever SB46-50)		1
53	1507625	KLIPS/ENDESTOPPER KIT. COMPACT KUSCHALL		1
54	1439480	SKRUESETT FOR DOBBELT SETEKRYSS COMPACT 2004		1

## (Rear frames)



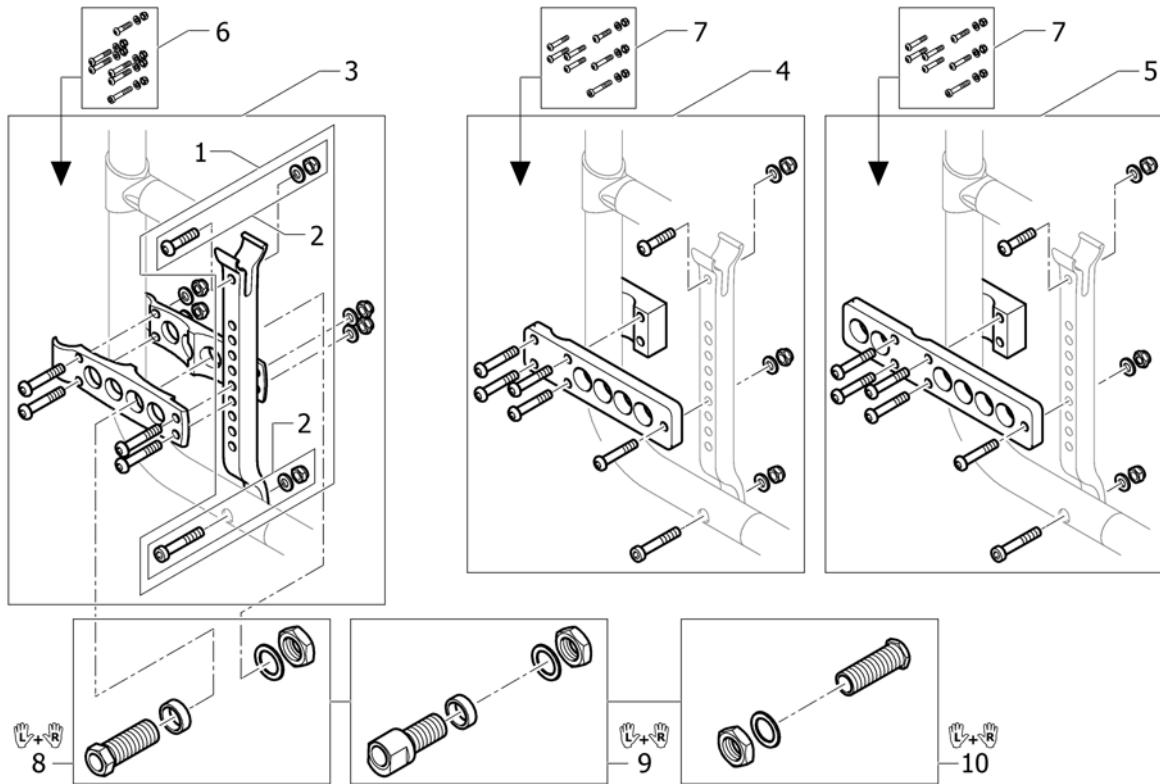
1	1437840-0419	(Rear frame, silver grey)		1
1	1437840-0424	(Rear frame, cyber green)	01.01.2004 → 31.12.2009	1
1	1437840-0427	(Rear frame, mystic purple)	01.01.2004 → 31.12.2009	1
1	1437840-0442	(Rear frame, night shimmer)	01.01.2009 →	1
1	1437840-0443	(Rear frame, pearly sapphire)	01.01.2004 → 31.12.2009	1
1	1437840-3524	(Rear frame, royal red)		1
1	1437840-5969	(Rear frame, royal blue)		1
1	1437840-9005	BAK RAMME SVART		1
1	1437840-9119	(Rear frame, black, bronze)		1
2	1488457-0419	(Rear frame to foldable back silver grey)		1
2	1488457-0424	(Rear frame to foldable back cyber green)	01.01.2004 → 31.12.2009	1
2	1488457-0427	(Rear frame to foldable back Myst.purple)	01.01.2004 → 31.12.2009	1
2	1488457-0442	(Rear frame to foldable back night shimmer)	01.01.2009 →	1
2	1488457-0443	(Rear frame to foldable back Pearly Sapphire)	01.01.2004 → 31.12.2009	1
2	1488457-3524	(Rear frame to foldable back royal Red)		1
2	1488457-5969	(Rear frame to foldable back royal Blue)		1
2	1488457-9005	(Rear frame to foldable back Black Glossy)		1
2	1488457-9119	(Rear frame to foldable back Black Bronze)		1
3	1488458-0419	(Rear frame to angle adjustable back Silver grey)		1
3	1488458-0424	(Rear frame to angle adjustable back cyber gruen)	01.01.2004 → 31.12.2009	1
3	1488458-0427	BAKRAMME SB32 SD36 MYSTIC PURPLE COMPACT	01.01.2004 → 31.12.2009	1
3	1488458-0442	(Rear frame to angle adjustable back night shimmer)	01.01.2009 →	1
3	1488458-0443	(Rear frame to angle adjustable back Pearly Sapphire)	01.01.2004 → 31.12.2009	1
3	1488458-3524	(Rear frame to angle adjustable back royal Red)		1

**(Rear frames)**

---

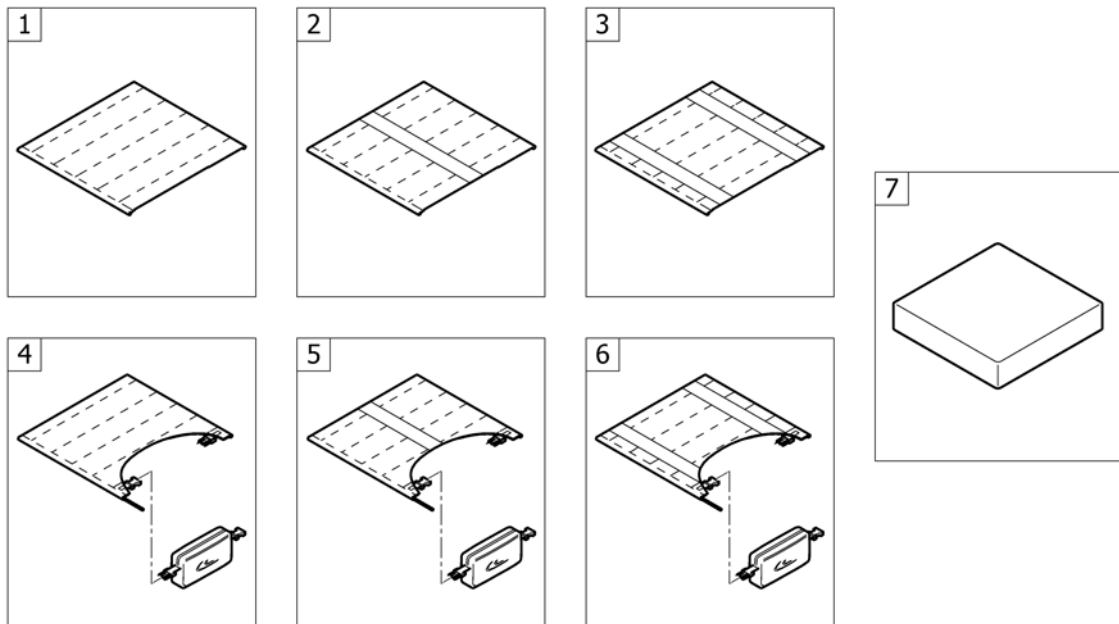
3	1488458-5969	(Rear frame to angle adjustable back royal Blue)	1
3	1488458-9005	BAKRAMME SB32 SD36 BLACK	1
3	1488458-9119	(Rear frame to angle adjustable back Black Bronze)	1
4	1437842	MONTERINGSSETT BAKRAMME	1
5	1498774	BAKRAMME BESKYTTELSE KUSCHALL	1

## (Rear wheel fixation)



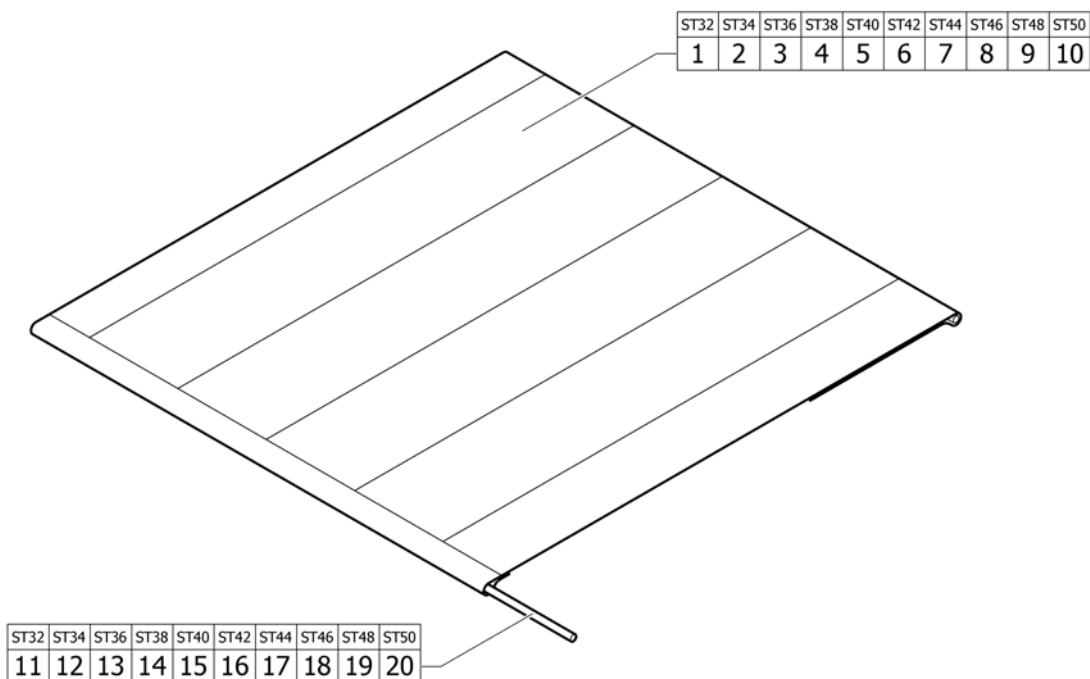
1	1437977-0004	HOLDER ADAPTERPLATE SETT		2
1	1437977-0400	(Adapterplate support kit, techno-anthrazit)		2
1	1437977-0401	(Adapterplate support kit, lemon)		2
1	1437977-0402	(Adapterplate support kit, apricot)		2
1	1437977-0404	(Adapterplate support kit, b-blue)		2
1	1437977-0440	(Adapterplate support kit, comet red)	01.01.2007 →	2
2	1437978	\$FESTE KIT ADAPTERPLATE HOLDER UL/CO		1
3	1445275-0004	ADAPTERPLATE SUPPORT KIT STD UL CO		2
3	1445275-0400	(adapterplate set Tecno)		2
3	1445275-0401	(adapterplate set Lemon)		2
3	1445275-0402	(adapterplate set Apricot)		2
3	1445275-0404	(adapterplate set B-Blue)		2
3	1445275-0440	ADAPTERPLATE SUPPORT KPL COMET RØD UL/C04	01.01.2007 →	2
4	1437980-0004	DRIVHJULSFEST.LED.BREMS EL.4G HJULCAMB.CO/UL->08		2
5	1439466	ADAPTERPLATE KIT FORLENG BAKHJUL		2
6	1437981	FESTE KIT ADAPTERPLATE SETT		1
7	1439481	FIXASJONSKIT SPESIAL FOR ADAPTERPLATE		1
8	1437982	CAMBER MUTTERSTYKKE 1 GR CO UL PAR		1
9	1437983	CAMBER MUTTERSTYKKE 4GR CO UL PAR +1437980-0004		1
10	1527082	(Adaptersleeve set 1° for siderest with desc function, pair)	08.12.2008 →	1





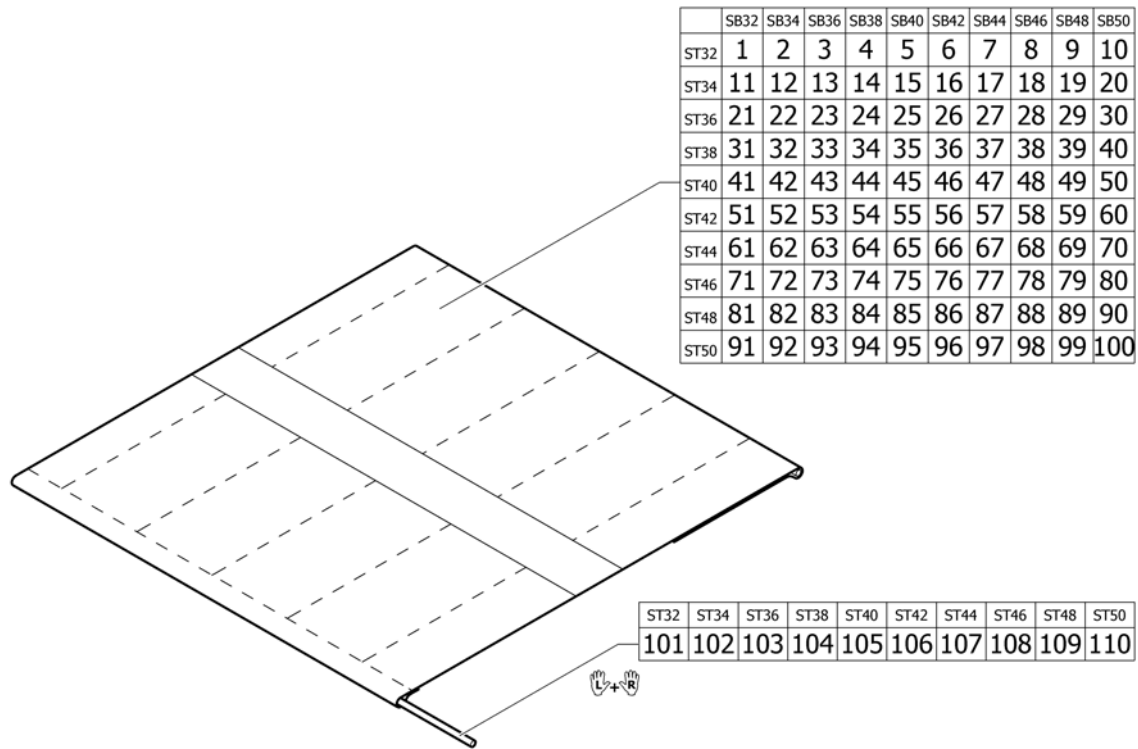
1	-	(Seat cover standard)	01.01.2004 → 31.12.2012	1
2	-	(Seat cover with 1 Velcro band (soft band))	01.01.2004 → 31.12.2012	1
3	-	(Seat cover with 2 Velcro bands (rough band))	01.01.2004 → 31.12.2012	1
4	-	(Seat cover standard for seat bag)	01.07.2008 → 31.12.2012	1
5	-	(Seat cover with 1 Velcro band (soft band) for seat bag)	01.07.2008 → 31.12.2012	1
6	-	(Seat cover with 2 Velcro bands (rough band) for seat bag)	01.07.2008 → 31.12.2012	1
7	-	(Seat cushion standard)	01.07.2012 → 31.12.2012	1

**(Seat cover standard)**



1	1437946	SETETREKK SD32 VELCRO KPL CO UL	1
2	1437947	SETETREKK SD34 VELCRO KPL CO UL	1
3	1437948	SETETREKK SD36 VELCRO KPL CO UL	1
4	1437949	SETETREKK JUST.BART SB38 KÜSCHALL LIFE	1
5	1437950	SETETREKK SB36->50 SD40 KÜSCHALL LIFE	1
6	1437951	SETETREKK SB36->50 SD42 KÜSCHALL LIFE	1
7	1437952	SETETREKK SB36->50 SD45 KÜSCHALL LIFE	1
8	1437953	SETETREKK SD46 VELCRO KPL CO UL	1
9	1437954	SETETREKK SD48 VELCRO KPL CO UL	1
10	1437955	SETETREKK SD50 VELCRO KPL CO UL	1
11	1437966	SETETREKK STANG SD32 ULT RALIGHT COMPACT	1
12	1437967	SETETREKK STANG SD34 ULT RALIGHT COMPACT	1
13	1437968	SETETREKK STANG SD36 ULT RALIGHT COMPACT	1
14	1437969	SETETREKK FESTEKIT SD38 KÜSCHALL LIFE	1
15	1437970	SETETREKK FESTEKIT SD40 KÜSCHALL LIFE	1
16	1437971	SETETREKK FESTEKIT SD42 KÜSCHALL LIFE	1
17	1437972	SETETREKK FESTEKIT SD44 KÜSCHALL LIFE	1
18	1437973	SETETREKK FESTEKIT SD46 COMPACT NEO	1
19	1437974	SETETREKK STANG SD48 ULT RALIGHT COMPACT	1
20	1437975	SETETREKK STANG SD50 ULT RALIGHT COMPACT	1

## (Seat cover with 1 Velcro band (soft band))



1	1509138	(Seat cover SB32 ST32 with 1 Velcro band (soft band))	1
2	1509139	(Seat cover SB34 ST32 with 1 Velcro band (soft band))	1
3	1509140	(Seat cover SB36 ST32 with 1 Velcro band (soft band))	1
4	1509141	(Seat cover SB38 ST32 with 1 Velcro band (soft band))	1
5	1509142	(Seat cover SB40 ST32 with 1 Velcro band (soft band))	1
6	1509143	(Seat cover SB42 ST32 with 1 Velcro band (soft band))	1
7	1509144	(Seat cover SB44 ST32 with 1 Velcro band (soft band))	1
8	1509145	(Seat cover SB46 ST32 with 1 Velcro band (soft band))	1
9	1509146	(Seat cover SB48 ST32 with 1 Velcro band (soft band))	1
10	1509147	(Seat cover SB50 ST32 with 1 Velcro band (soft band))	1
11	1509148	(Seat cover SB32 ST34 with 1 Velcro band (soft band))	1
12	1509149	(Seat cover SB34 ST34 with 1 Velcro band (soft band))	1
13	1509150	(Seat cover SB36 ST34 with 1 Velcro band (soft band))	1
14	1509152	(Seat cover SB38 ST34 with 1 Velcro band (soft band))	1
15	1509153	(Seat cover SB40 ST34 with 1 Velcro band (soft band))	1
16	1509154	(Seat cover SB42 ST34 with 1 Velcro band (soft band))	1
17	1509155	(Seat cover SB44 ST34 with 1 Velcro band (soft band))	1
18	1509156	(Seat cover SB46 ST34 with 1 Velcro band (soft band))	1
19	1509157	(Seat cover SB48 ST34 with 1 Velcro band (soft band))	1
20	1509158	(Seat cover SB50 ST34 with 1 Velcro band (soft band))	1
21	1509160	(Seat cover SB32 ST36 with 1 Velcro band (soft band))	1
22	1509161	(Seat cover SB34 ST36 with 1 Velcro band (soft band))	1
23	1509162	(Seat cover SB36 ST36 with 1 Velcro band (soft band))	1
24	1509163	(Seat cover SB38 ST36 with 1 Velcro band (soft band))	1
25	1509164	(Seat cover SB40 ST36 with 1 Velcro band (soft band))	1
26	1509165	(Seat cover SB42 ST36 with 1 Velcro band (soft band))	1
27	1509166	(Seat cover SB44 ST36 with 1 Velcro band (soft band))	1
28	1509167	(Seat cover SB46 ST36 with 1 Velcro band (soft band))	1
29	1509168	(Seat cover SB48 ST36 with 1 Velcro band (soft band))	1
30	1509169	(Seat cover SB50 ST36 with 1 Velcro band (soft band))	1
31	1509170	(Seat cover SB32 ST38 with 1 Velcro band (soft band))	1

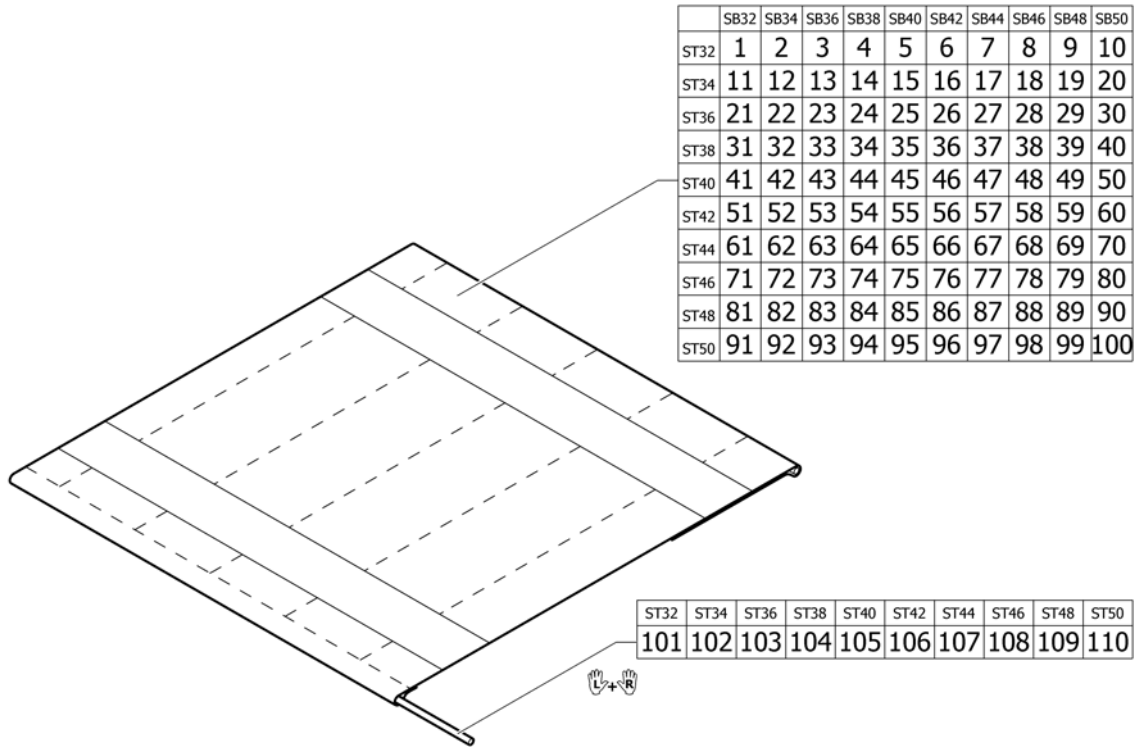
## (Seat cover with 1 Velcro band (soft band))

32	1509171	(Seat cover SB34 ST38 with 1 Velcro band (soft band))	1
33	1509172	(Seat cover SB36 ST38 with 1 Velcro band (soft band))	1
34	1509173	(Seat cover SB38 ST38 with 1 Velcro band (soft band))	1
35	1509174	(Seat cover SB40 ST38 with 1 Velcro band (soft band))	1
36	1509175	(Seat cover SB42 ST38 with 1 Velcro band (soft band))	1
37	1509176	(Seat cover SB44 ST38 with 1 Velcro band (soft band))	1
38	1509177	(Seat cover SB46 ST38 with 1 Velcro band (soft band))	1
39	1509178	(Seat cover SB48 ST38 with 1 Velcro band (soft band))	1
40	1509179	(Seat cover SB50 ST38 with 1 Velcro band (soft band))	1
41	1509181	(Seat cover SB32 ST40 with 1 Velcro band (soft band))	1
42	1509182	(Seat cover SB34 ST40 with 1 Velcro band (soft band))	1
43	1509183	(Seat cover SB36 ST40 with 1 Velcro band (soft band))	1
44	1509184	(Seat cover SB38 ST40 with 1 Velcro band (soft band))	1
45	1509185	(Seat cover SB40 ST40 with 1 Velcro band (soft band))	1
46	1509186	SETETREKK SB42 SD40 MED 1 VELCROBÅND	1
47	1509187	(Seat cover SB44 ST40 with 1 Velcro band (soft band))	1
48	1509188	(Seat cover SB46 ST40 with 1 Velcro band (soft band))	1
49	1509189	(Seat cover SB48 ST40 with 1 Velcro band (soft band))	1
50	1509190	(Seat cover SB50 ST40 with 1 Velcro band (soft band))	1
51	1509191	(Seat cover SB32 ST42 with 1 Velcro band (soft band))	1
52	1509192	(Seat cover SB34 ST42 with 1 Velcro band (soft band))	1
53	1509193	(Seat cover SB36 ST42 with 1 Velcro band (soft band))	1
54	1509194	(Seat cover SB38 ST42 with 1 Velcro band (soft band))	1
55	1509195	(Seat cover SB40 ST42 with 1 Velcro band (soft band))	1
56	1509196	SETETREKK SB42 SD42 MED 1 VELCROBÅND	1
57	1509197	(Seat cover SB44 ST42 with 1 Velcro band (soft band))	1
58	1509198	(Seat cover SB46 ST42 with 1 Velcro band (soft band))	1
59	1509199	(Seat cover SB48 ST42 with 1 Velcro band (soft band))	1
60	1509200	(Seat cover SB50 ST42 with 1 Velcro band (soft band))	1
61	1509201	(Seat cover SB32 ST44 with 1 Velcro band (soft band))	1
62	1509202	(Seat cover SB34 ST44 with 1 Velcro band (soft band))	1
63	1509203	(Seat cover SB36 ST44 with 1 Velcro band (soft band))	1
64	1509204	(Seat cover SB38 ST44 with 1 Velcro band (soft band))	1
65	1509205	(Seat cover SB40 ST44 with 1 Velcro band (soft band))	1
66	1509206	(Seat cover SB42 ST44 with 1 Velcro band (soft band))	1
67	1509207	(Seat cover SB44 ST44 with 1 Velcro band (soft band))	1
68	1509208	(Seat cover SB46 ST44 with 1 Velcro band (soft band))	1
69	1509209	(Seat cover SB48 ST44 with 1 Velcro band (soft band))	1
70	1509211	(Seat cover SB50 ST44 with 1 Velcro band (soft band))	1
71	1509212	(Seat cover SB32 ST46 with 1 Velcro band (soft band))	1
72	1509213	(Seat cover SB34 ST46 with 1 Velcro band (soft band))	1
73	1509214	(Seat cover SB36 ST46 with 1 Velcro band (soft band))	1
74	1509215	(Seat cover SB38 ST46 with 1 Velcro band (soft band))	1
75	1509216	(Seat cover SB40 ST46 with 1 Velcro band (soft band))	1
76	1509217	(Seat cover SB42 ST46 with 1 Velcro band (soft band))	1
77	1509218	(Seat cover SB44 ST46 with 1 Velcro band (soft band))	1
78	1509219	(Seat cover SB46 ST46 with 1 Velcro band (soft band))	1
79	1509220	(Seat cover SB48 ST46 with 1 Velcro band (soft band))	1
80	1509221	(Seat cover SB50 ST46 with 1 Velcro band (soft band))	1
81	1509222	(Seat cover SB32 ST48 with 1 Velcro band (soft band))	1
82	1509223	(Seat cover SB34 ST48 with 1 Velcro band (soft band))	1
83	1509224	(Seat cover SB36 ST48 with 1 Velcro band (soft band))	1
84	1509225	(Seat cover SB38 ST48 with 1 Velcro band (soft band))	1
85	1509226	(Seat cover SB40 ST48 with 1 Velcro band (soft band))	1
86	1509227	(Seat cover SB42 ST48 with 1 Velcro band (soft band))	1

**(Seat cover with 1 Velcro band (soft band))**

87	1509228	(Seat cover SB44 ST48 with 1 Velcro band (soft band))	1
88	1509229	(Seat cover SB46 ST48 with 1 Velcro band (soft band))	1
89	1509230	(Seat cover SB48 ST48 with 1 Velcro band (soft band))	1
90	1509231	(Seat cover SB50 ST48 with 1 Velcro band (soft band))	1
91	1509232	(Seat cover SB32 ST50 with 1 Velcro band (soft band))	1
92	1509233	(Seat cover SB34 ST50 with 1 Velcro band (soft band))	1
93	1509234	(Seat cover SB36 ST50 with 1 Velcro band (soft band))	1
94	1509235	(Seat cover SB38 ST50 with 1 Velcro band (soft band))	1
95	1509236	(Seat cover SB40 ST50 with 1 Velcro band (soft band))	1
96	1509237	(Seat cover SB42 ST50 with 1 Velcro band (soft band))	1
97	1509238	(Seat cover SB44 ST50 with 1 Velcro band (soft band))	1
98	1509239	(Seat cover SB46 ST50 with 1 Velcro band (soft band))	1
99	1509240	(Seat cover SB48 ST50 with 1 Velcro band (soft band))	1
100	1509241	(Seat cover SB50 ST50 with 1 Velcro band (soft band))	1
101	1437966	SETETREKK STANG SD32 ULT RALIGHT COMPACT	1
102	1437967	SETETREKK STANG SD34 ULT RALIGHT COMPACT	1
103	1437968	SETETREKK STANG SD36 ULT RALIGHT COMPACT	1
104	1437969	SETETREKK FESTEKIT SD38 KÜSCHALL LIFE	1
105	1437970	SETETREKK FESTEKIT SD40 KÜSCHALL LIFE	1
106	1437971	SETETREKK FESTEKIT SD42 KÜSCHALL LIFE	1
107	1437972	SETETREKK FESTEKIT SD44 KÜSCHALL LIFE	1
108	1437973	SETETREKK FESTEKIT SD46 COMPACT NEO	1
109	1437974	SETETREKK STANG SD48 ULT RALIGHT COMPACT	1
110	1437975	SETETREKK STANG SD50 ULT RALIGHT COMPACT	1

## (Seat cover with 2 Velcro bands (rough band))



1	1509242	(Seat cover SB32 ST32 with 2 Velcro bands (rough band))	1
2	1509243	(Seat cover SB34 ST32 with 2 Velcro bands (rough band))	1
3	1509244	(Seat cover SB36 ST32 with 2 Velcro bands (rough band))	1
4	1509245	(Seat cover SB38 ST32 with 2 Velcro bands (rough band))	1
5	1509246	(Seat cover SB40 ST32 with 2 Velcro bands (rough band))	1
6	1509247	(Seat cover SB42 ST32 with 2 Velcro bands (rough band))	1
7	1509248	(Seat cover SB44 ST32 with 2 Velcro bands (rough band))	1
8	1509249	(Seat cover SB46 ST32 with 2 Velcro bands (rough band))	1
9	1509250	(Seat cover SB48 ST32 with 2 Velcro bands (rough band))	1
10	1509251	(Seat cover SB50 ST32 with 2 Velcro bands (rough band))	1
11	1509252	(Seat cover SB32 ST34 with 2 Velcro bands (rough band))	1
12	1509253	(Seat cover SB34 ST34 with 2 Velcro bands (rough band))	1
13	1509254	(Seat cover SB36 ST34 with 2 Velcro bands (rough band))	1
14	1509255	(Seat cover SB38 ST34 with 2 Velcro bands (rough band))	1
15	1509256	(Seat cover SB40 ST34 with 2 Velcro bands (rough band))	1
16	1509257	(Seat cover SB42 ST34 with 2 Velcro bands (rough band))	1
17	1509258	(Seat cover SB44 ST34 with 2 Velcro bands (rough band))	1
18	1509259	(Seat cover SB46 ST34 with 2 Velcro bands (rough band))	1
19	1509260	(Seat cover SB48 ST34 with 2 Velcro bands (rough band))	1
20	1509261	(Seat cover SB50 ST34 with 2 Velcro bands (rough band))	1
21	1509262	(Seat cover SB32 ST36 with 2 Velcro bands (rough band))	1
22	1509263	(Seat cover SB34 ST36 with 2 Velcro bands (rough band))	1
23	1509264	(Seat cover SB36 ST36 with 2 Velcro bands (rough band))	1
24	1509265	(Seat cover SB38 ST36 with 2 Velcro bands (rough band))	1
25	1509266	(Seat cover SB40 ST36 with 2 Velcro bands (rough band))	1
26	1509267	SETETREKK SB42 SD36 MED 2 VELCROBÅND	1
27	1509268	(Seat cover SB44 ST36 with 2 Velcro bands (rough band))	1
28	1509269	(Seat cover SB46 ST36 with 2 Velcro bands (rough band))	1
29	1509270	(Seat cover SB48 ST36 with 2 Velcro bands (rough band))	1
30	1509271	(Seat cover SB50 ST36 with 2 Velcro bands (rough band))	1
31	1509272	(Seat cover SB32 ST38 with 2 Velcro bands (rough band))	1

**(Seat cover with 2 Velcro bands (rough band))**

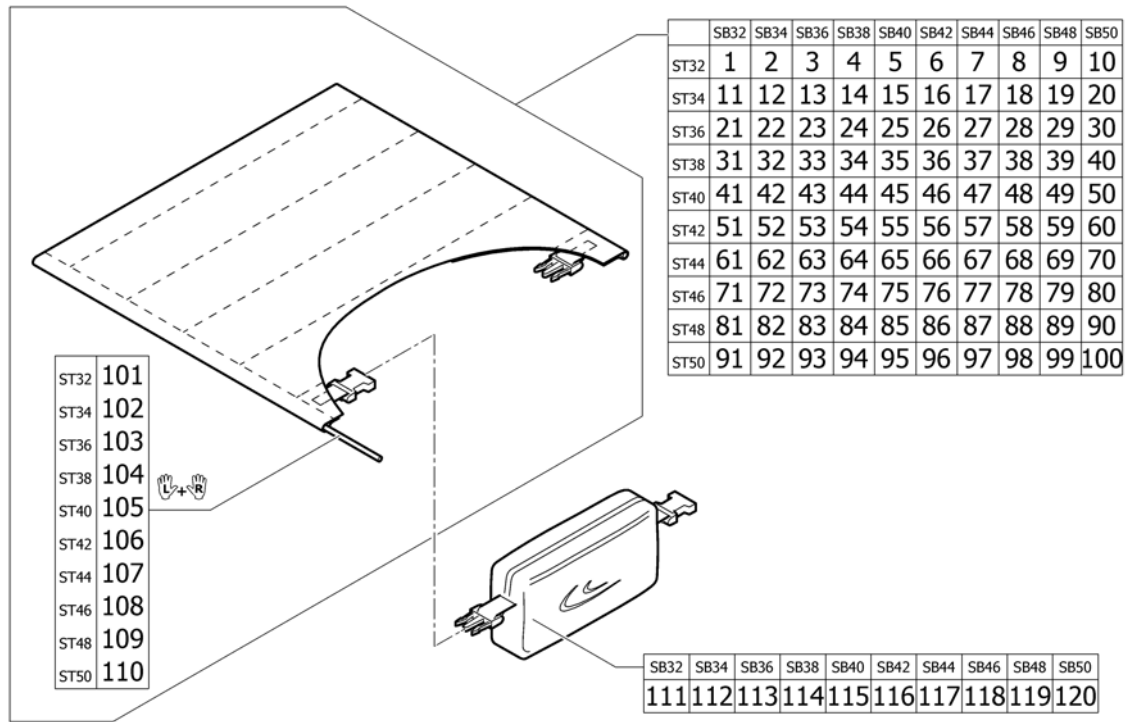
32	1509273	(Seat cover SB34 ST38 with 2 Velcro bands (rough band))	1
33	1509274	(Seat cover SB36 ST38 with 2 Velcro bands (rough band))	1
34	1509275	(Seat cover SB38 ST38 with 2 Velcro bands (rough band))	1
35	1509276	(Seat cover SB40 ST38 with 2 Velcro bands (rough band))	1
36	1509277	(Seat cover SB42 ST38 with 2 Velcro bands (rough band))	1
37	1509278	(Seat cover SB44 ST38 with 2 Velcro bands (rough band))	1
38	1509279	(Seat cover SB46 ST38 with 2 Velcro bands (rough band))	1
39	1509280	(Seat cover SB48 ST38 with 2 Velcro bands (rough band))	1
40	1509281	(Seat cover SB50 ST38 with 2 Velcro bands (rough band))	1
41	1509282	(Seat cover SB32 ST40 with 2 Velcro bands (rough band))	1
42	1509283	(Seat cover SB34 ST40 with 2 Velcro bands (rough band))	1
43	1509284	(Seat cover SB36 ST40 with 2 Velcro bands (rough band))	1
44	1509285	SETETREKK SB38 SD40 MED 2 VELCROBÄND	1
45	1509286	SETETREKK SB40 SD40 MED 2 VELCROBÄND	1
46	1509287	(Seat cover SB42 ST40 with 2 Velcro bands (rough band))	1
47	1509288	SETETREKK SB44 SD40 MED 2 VELCROBÄND	1
48	1509289	SETETREKK SB46 SD40 MED 2 VELCROBÄND	1
49	1509290	(Seat cover SB48 ST40 with 2 Velcro bands (rough band))	1
50	1509291	(Seat cover SB50 ST40 with 2 Velcro bands (rough band))	1
51	1509292	(Seat cover SB32 ST42 with 2 Velcro bands (rough band))	1
52	1509293	(Seat cover SB34 ST42 with 2 Velcro bands (rough band))	1
53	1509294	(Seat cover SB36 ST42 with 2 Velcro bands (rough band))	1
54	1509295	(Seat cover SB38 ST42 with 2 Velcro bands (rough band))	1
55	1509296	(Seat cover SB40 ST42 with 2 Velcro bands (rough band))	1
56	1509297	(Seat cover SB42 ST42 with 2 Velcro bands (rough band))	1
57	1509298	(Seat cover SB44 ST42 with 2 Velcro bands (rough band))	1
58	1509299	(Seat cover SB46 ST42 with 2 Velcro bands (rough band))	1
59	1509300	(Seat cover SB48 ST42 with 2 Velcro bands (rough band))	1
60	1509301	(Seat cover SB50 ST42 with 2 Velcro bands (rough band))	1
61	1509302	(Seat cover SB32 ST44 with 2 Velcro bands (rough band))	1
62	1509303	(Seat cover SB34 ST44 with 2 Velcro bands (rough band))	1
63	1509304	(Seat cover SB36 ST44 with 2 Velcro bands (rough band))	1
64	1509305	(Seat cover SB38 ST44 with 2 Velcro bands (rough band))	1
65	1509306	(Seat cover SB40 ST44 with 2 Velcro bands (rough band))	1
66	1509319	(Seat cover SB42 ST44 with 2 Velcro bands (rough band))	1
67	1509320	(Seat cover SB44 ST44 with 2 Velcro bands (rough band))	1
68	1509321	(Seat cover SB46 ST44 with 2 Velcro bands (rough band))	1
69	1509431	SETETREKK SB48 SD44 MED 2 VELCROSTRIPER	1
70	1509432	(Seat cover SB50 ST44 with 2 Velcro bands (rough band))	1
71	1509433	(Seat cover SB32 ST46 with 2 Velcro bands (rough band))	1
72	1509526	(Seat cover SB34 ST46 with 2 Velcro bands (rough band))	1
73	1509527	(Seat cover SB36 ST46 with 2 Velcro bands (rough band))	1
74	1509528	(Seat cover SB38 ST46 with 2 Velcro bands (rough band))	1
75	1509529	(Seat cover SB40 ST46 with 2 Velcro bands (rough band))	1
76	1509530	(Seat cover SB42 ST46 with 2 Velcro bands (rough band))	1
77	1509531	(Seat cover SB44 ST46 with 2 Velcro bands (rough band))	1
78	1509532	SETETREKK SB46 SD46 MED 2 VELCROBÄND	1
79	1509533	SETETREKK SB48 SD46 MED 2 VELCROBÄND	1
80	1509534	(Seat cover SB50 ST46 with 2 Velcro bands (rough band))	1
81	1509535	(Seat cover SB32 ST48 with 2 Velcro bands (rough band))	1
82	1509536	(Seat cover SB34 ST48 with 2 Velcro bands (rough band))	1
83	1509537	(Seat cover SB36 ST48 with 2 Velcro bands (rough band))	1
84	1509538	(Seat cover SB38 ST48 with 2 Velcro bands (rough band))	1
85	1509539	SETETREKK SB40 SD48 MED 2 VELCROBÄND	1
86	1509540	(Seat cover SB42 ST48 with 2 Velcro bands (rough band))	1

**(Seat cover with 2 Velcro bands (rough band))**

87	1509541	SETETREKK SB44 SD48 MED 2 VELCROBÅND	1
88	1509542	(Seat cover SB46 ST48 with 2 Velcro bands (rough band))	1
89	1509543	SETETREKK SB48 SD48 MED 2 VELCROBÅND	1
90	1509544	(Seat cover SB50 ST48 with 2 Velcro bands (rough band))	1
91	1509545	(Seat cover SB32 ST50 with 2 Velcro bands (rough band))	1
92	1509546	(Seat cover SB34 ST50 with 2 Velcro bands (rough band))	1
93	1509547	(Seat cover SB36 ST50 with 2 Velcro bands (rough band))	1
94	1509548	(Seat cover SB38 ST50 with 2 Velcro bands (rough band))	1
95	1509549	(Seat cover SB40 ST50 with 2 Velcro bands (rough band))	1
96	1509550	SETETREKK SB42 SD50 MED 2 VELCROBÅND	1
97	1509551	SETETREKK SB44 SD50 MED 2 VELCROBÅND	1
98	1509552	(Seat cover SB46 ST50 with 2 Velcro bands (rough band))	1
99	1509553	(Seat cover SB48 ST50 with 2 Velcro bands (rough band))	1
100	1509554	SETETREKK SB50 SD50 MED 2 VELCROBÅND	1
101	1437966	SETETREKK STANG SD32 ULT RALIGHT COMPACT	1
102	1437967	SETETREKK STANG SD34 ULT RALIGHT COMPACT	1
103	1437968	SETETREKK STANG SD36 ULT RALIGHT COMPACT	1
104	1437969	SETETREKK FESTEKIT SD38 KÜSCHALL LIFE	1
105	1437970	SETETREKK FESTEKIT SD40 KÜSCHALL LIFE	1
106	1437971	SETETREKK FESTEKIT SD42 KÜSCHALL LIFE	1
107	1437972	SETETREKK FESTEKIT SD44 KÜSCHALL LIFE	1
108	1437973	SETETREKK FESTEKIT SD46 COMPACT NEO	1
109	1437974	SETETREKK STANG SD48 ULT RALIGHT COMPACT	1
110	1437975	SETETREKK STANG SD50 ULT RALIGHT COMPACT	1



**(Seat cover standard for seat bag)**



1	1571358	(Seat cover SB32 ST32 for seat bag)	1
2	1571359	(Seat cover SB34 ST32 for seat bag)	1
3	1571360	(Seat cover SB36 ST32 for seat bag)	1
4	1571361	(Seat cover SB38 ST32 for seat bag)	1
5	1571362	(Seat cover SB40 ST32 for seat bag)	1
6	1571363	(Seat cover SB42 ST32 for seat bag)	1
7	1571364	(Seat cover SB44 ST32 for seat bag)	1
8	1571365	(Seat cover SB46 ST32 for seat bag)	1
9	1571366	(Seat cover SB48 ST32 for seat bag)	1
10	1571367	(Seat cover SB50 ST32 for seat bag)	1
11	1571368	(Seat cover SB32 ST34 for seat bag)	1
12	1571369	(Seat cover SB34 ST34 for seat bag)	1
13	1571370	(Seat cover SB36 ST34 for seat bag)	1
14	1571371	(Seat cover SB38 ST34 for seat bag)	1
15	1571372	(Seat cover SB40 ST34 for seat bag)	1
16	1571373	(Seat cover SB42 ST34 for seat bag)	1
17	1571374	(Seat cover SB44 ST34 for seat bag)	1
18	1571375	(Seat cover SB46 ST34 for seat bag)	1
19	1571376	(Seat cover SB48 ST34 for seat bag)	1
20	1571377	(Seat cover SB50 ST34 for seat bag)	1
21	1571378	(Seat cover SB32 ST36 for seat bag)	1
22	1571379	(Seat cover SB34 ST36 for seat bag)	1
23	1571380	(Seat cover SB36 ST36 for seat bag)	1
24	1571381	(Seat cover SB38 ST36 for seat bag)	1
25	1571382	(Seat cover SB40 ST36 for seat bag)	1
26	1571383	(Seat cover SB42 ST36 for seat bag)	1
27	1571384	(Seat cover SB44 ST36 for seat bag)	1
28	1571385	(Seat cover SB46 ST36 for seat bag)	1
29	1571386	(Seat cover SB48 ST36 for seat bag)	1
30	1571387	(Seat cover SB50 ST36 for seat bag)	1
31	1571388	(Seat cover SB32 ST38 for seat bag)	1

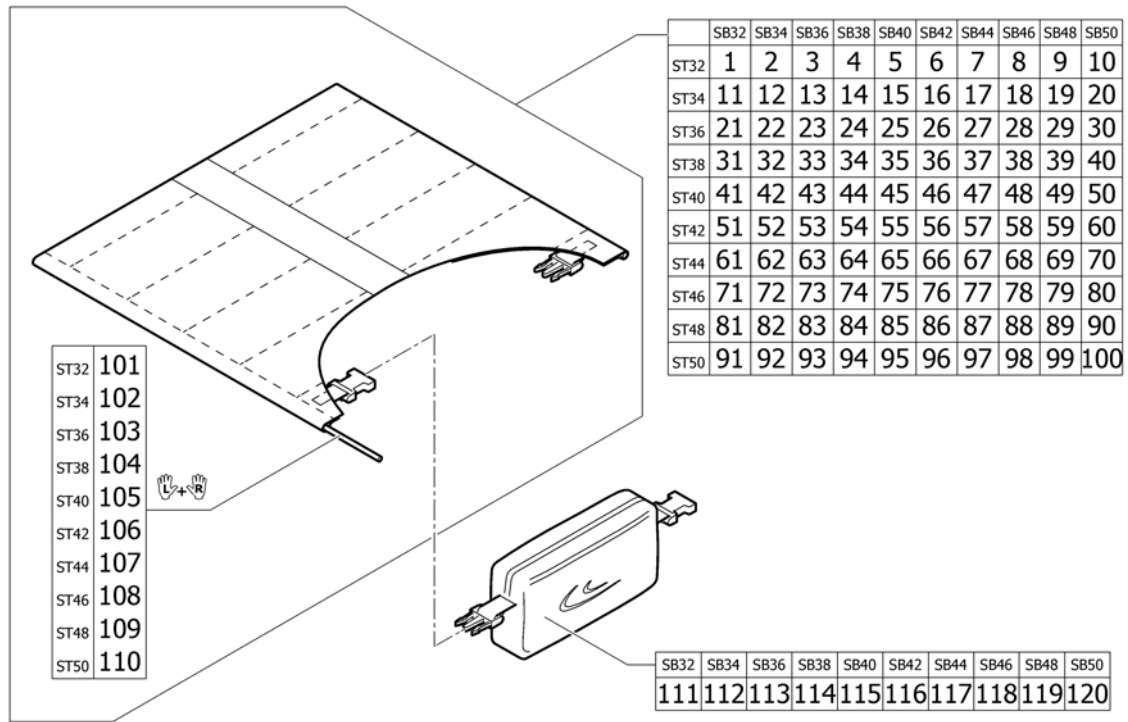
**(Seat cover standard for seat bag)**

32	1571389	(Seat cover SB34 ST38 for seat bag)	1
33	1571390	(Seat cover SB36 ST38 for seat bag)	1
34	1571391	(Seat cover SB38 ST38 for seat bag)	1
35	1571411	(Seat cover SB40 ST38 for seat bag)	1
36	1571412	(Seat cover SB42 ST38 for seat bag)	1
37	1571413	(Seat cover SB44 ST38 for seat bag)	1
38	1571509	(Seat cover SB46 ST38 for seat bag)	1
39	1571581	(Seat cover SB48 ST38 for seat bag)	1
40	1571612	(Seat cover SB50 ST38 for seat bag)	1
41	1571613	(Seat cover SB32 ST40 for seat bag)	1
42	1571636	(Seat cover SB34 ST40 for seat bag)	1
43	1571637	(Seat cover SB36 ST40 for seat bag)	1
44	1571638	(Seat cover SB38 ST40 for seat bag)	1
45	1571729	(Seat cover SB40 ST40 for seat bag)	1
46	1571730	(Seat cover SB42 ST40 for seat bag)	1
47	1571731	(Seat cover SB44 ST40 for seat bag)	1
48	1571732	(Seat cover SB46 ST40 for seat bag)	1
49	1571759	(Seat cover SB48 ST40 for seat bag)	1
50	1571760	(Seat cover SB50 ST40 for seat bag)	1
51	1571765	(Seat cover SB32 ST42 for seat bag)	1
52	1571766	(Seat cover SB34 ST42 for seat bag)	1
53	1571767	(Seat cover SB36 ST42 for seat bag)	1
54	1572002	(Seat cover SB38 ST42 for seat bag)	1
55	1572003	(Seat cover SB40 ST42 for seat bag)	1
56	1572082	(Seat cover SB42 ST42 for seat bag)	1
57	1572083	(Seat cover SB44 ST42 for seat bag)	1
58	1572084	(Seat cover SB46 ST42 for seat bag)	1
59	1572085	(Seat cover SB48 ST42 for seat bag)	1
60	1572162	(Seat cover SB50 ST42 for seat bag)	1
61	1572163	(Seat cover SB32 ST44 for seat bag)	1
62	1572164	(Seat cover SB34 ST44 for seat bag)	1
63	1572194	(Seat cover SB36 ST44 for seat bag)	1
64	1572195	(Seat cover SB38 ST44 for seat bag)	1
65	1572196	(Seat cover SB40 ST44 for seat bag)	1
66	1572197	(Seat cover SB42 ST44 for seat bag)	1
67	1572354	(Seat cover SB44 ST44 for seat bag)	1
68	1572355	(Seat cover SB46 ST44 for seat bag)	1
69	1572356	(Seat cover SB48 ST44 for seat bag)	1
70	1572357	(Seat cover SB50 ST44 for seat bag)	1
71	1572358	(Seat cover SB32 ST46 for seat bag)	1
72	1572359	(Seat cover SB34 ST46 for seat bag)	1
73	1572360	(Seat cover SB36 ST46 for seat bag)	1
74	1572361	(Seat cover SB38 ST46 for seat bag)	1
75	1572362	(Seat cover SB40 ST46 for seat bag)	1
76	1572363	(Seat cover SB42 ST46 for seat bag)	1
77	1572364	(Seat cover SB44 ST46 for seat bag)	1
78	1572365	(Seat cover SB46 ST46 for seat bag)	1
79	1572406	(Seat cover SB48 ST46 for seat bag)	1
80	1572407	(Seat cover SB50 ST46 for seat bag)	1
81	1572408	(Seat cover SB32 ST48 for seat bag)	1
82	1572409	(Seat cover SB34 ST48 for seat bag)	1
83	1572410	(Seat cover SB36 ST48 for seat bag)	1
84	1572411	(Seat cover SB38 ST48 for seat bag)	1
85	1572412	(Seat cover SB40 ST48 for seat bag)	1
86	1572413	(Seat cover SB42 ST48 for seat bag)	1

**(Seat cover standard for seat bag)**

87	1572414	(Seat cover SB44 ST48 for seat bag)	1
88	1572415	(Seat cover SB46 ST48 for seat bag)	1
89	1572416	(Seat cover SB48 ST48 for seat bag)	1
90	1572417	(Seat cover SB50 ST48 for seat bag)	1
91	1572418	(Seat cover SB32 ST50 for seat bag)	1
92	1572419	(Seat cover SB34 ST50 for seat bag)	1
93	1572420	(Seat cover SB36 ST50 for seat bag)	1
94	1572421	(Seat cover SB38 ST50 for seat bag)	1
95	1572422	(Seat cover SB40 ST50 for seat bag)	1
96	1572423	(Seat cover SB42 ST50 for seat bag)	1
97	1572424	(Seat cover SB44 ST50 for seat bag)	1
98	1572425	(Seat cover SB46 ST50 for seat bag)	1
99	1572426	(Seat cover SB48 ST50 for seat bag)	1
100	1572427	(Seat cover SB50 ST50 for seat bag)	1
101	1437966	SETETREKK STANG SD32 ULT RALIGHT COMPACT	1
102	1437967	SETETREKK STANG SD34 ULT RALIGHT COMPACT	1
103	1437968	SETETREKK STANG SD36 ULT RALIGHT COMPACT	1
104	1437969	SETETREKK FESTEKIT SD38 KÜSCHALL LIFE	1
105	1437970	SETETREKK FESTEKIT SD40 KÜSCHALL LIFE	1
106	1437971	SETETREKK FESTEKIT SD42 KÜSCHALL LIFE	1
107	1437972	SETETREKK FESTEKIT SD44 KÜSCHALL LIFE	1
108	1437973	SETETREKK FESTEKIT SD46 COMPACT NEO	1
109	1437974	SETETREKK STANG SD48 ULT RALIGHT COMPACT	1
110	1437975	SETETREKK STANG SD50 ULT RALIGHT COMPACT	1
111	1578786	(Seat bag SB32)	1
112	1578787	(Seat bag SB34)	1
113	1578788	(Seat bag SB36)	1
114	1578789	(Seat bag SB38)	1
115	1578790	(Seat bag SB40)	1
116	1578791	(Seat bag SB42)	1
117	1578792	(Seat bag SB44)	1
118	1578793	(Seat bag SB46)	1
119	1578794	(Seat bag SB48)	1
120	1578795	(Seat bag SB50)	1

**(Seat cover with 1 Velcro band (soft band) for seat bag)**



1	1572428	(Seat cover SB32 ST32 for seat bag with 1 Velcro band (soft band))	1
2	1572429	(Seat cover SB34 ST32 for seat bag with 1 Velcro band (soft band))	1
3	1572430	(Seat cover SB36 ST32 for seat bag with 1 Velcro band (soft band))	1
4	1572431	(Seat cover SB38 ST32 for seat bag with 1 Velcro band (soft band))	1
5	1572432	(Seat cover SB40 ST32 for seat bag with 1 Velcro band (soft band))	1
6	1572433	(Seat cover SB42 ST32 for seat bag with 1 Velcro band (soft band))	1
7	1572434	(Seat cover SB44 ST32 for seat bag with 1 Velcro band (soft band))	1
8	1572435	(Seat cover SB46 ST32 for seat bag with 1 Velcro band (soft band))	1
9	1572436	(Seat cover SB48 ST32 for seat bag with 1 Velcro band (soft band))	1
10	1572437	(Seat cover SB50 ST32 for seat bag with 1 Velcro band (soft band))	1
11	1572438	(Seat cover SB32 ST34 for seat bag with 1 Velcro band (soft band))	1
12	1572464	(Seat cover SB34 ST34 for seat bag with 1 Velcro band (soft band))	1
13	1572465	(Seat cover SB36 ST34 for seat bag with 1 Velcro band (soft band))	1
14	1572466	(Seat cover SB38 ST34 for seat bag with 1 Velcro band (soft band))	1
15	1572467	(Seat cover SB40 ST34 for seat bag with 1 Velcro band (soft band))	1
16	1572468	(Seat cover SB42 ST34 for seat bag with 1 Velcro band (soft band))	1
17	1572469	(Seat cover SB44 ST34 for seat bag with 1 Velcro band (soft band))	1
18	1572470	(Seat cover SB46 ST34 for seat bag with 1 Velcro band (soft band))	1
19	1572471	(Seat cover SB48 ST34 for seat bag with 1 Velcro band (soft band))	1
20	1572472	(Seat cover SB50 ST34 for seat bag with 1 Velcro band (soft band))	1
21	1572473	(Seat cover SB32 ST36 for seat bag with 1 Velcro band (soft band))	1
22	1572474	(Seat cover SB34 ST36 for seat bag with 1 Velcro band (soft band))	1
23	1572475	(Seat cover SB36 ST36 for seat bag with 1 Velcro band (soft band))	1
24	1572476	(Seat cover SB38 ST36 for seat bag with 1 Velcro band (soft band))	1
25	1572477	(Seat cover SB40 ST36 for seat bag with 1 Velcro band (soft band))	1
26	1572478	(Seat cover SB42 ST36 for seat bag with 1 Velcro band (soft band))	1
27	1572479	(Seat cover SB44 ST36 for seat bag with 1 Velcro band (soft band))	1
28	1572480	(Seat cover SB46 ST36 for seat bag with 1 Velcro band (soft band))	1
29	1572481	(Seat cover SB48 ST36 for seat bag with 1 Velcro band (soft band))	1
30	1572482	(Seat cover SB50 ST36 for seat bag with 1 Velcro band (soft band))	1
31	1572483	(Seat cover SB32 ST38 for seat bag with 1 Velcro band (soft band))	1

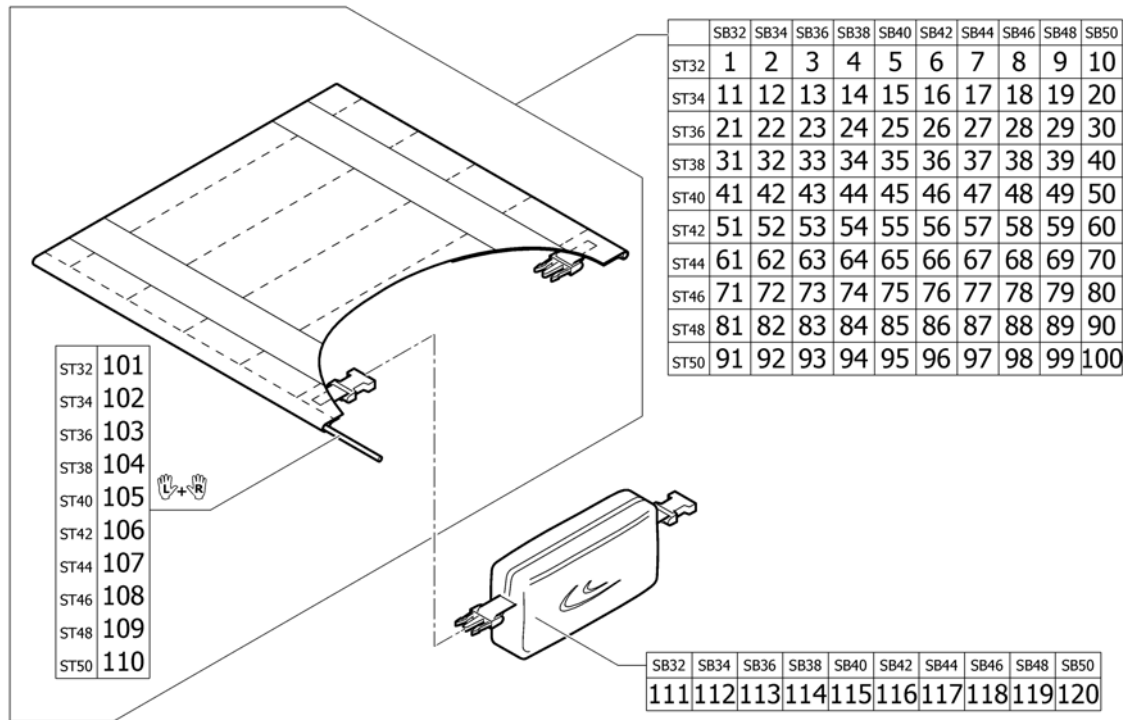
**(Seat cover with 1 Velcro band (soft band) for seat bag)**

32	1572484	(Seat cover SB34 ST38 for seat bag with 1 Velcro band (soft band))	1
33	1572485	(Seat cover SB36 ST38 for seat bag with 1 Velcro band (soft band))	1
34	1572676	(Seat cover SB38 ST38 for seat bag with 1 Velcro band (soft band))	1
35	1572863	(Seat cover SB40 ST38 for seat bag with 1 Velcro band (soft band))	1
36	1572864	(Seat cover SB42 ST38 for seat bag with 1 Velcro band (soft band))	1
37	1572865	(Seat cover SB44 ST38 for seat bag with 1 Velcro band (soft band))	1
38	1572866	(Seat cover SB46 ST38 for seat bag with 1 Velcro band (soft band))	1
39	1572867	(Seat cover SB48 ST38 for seat bag with 1 Velcro band (soft band))	1
40	1572868	(Seat cover SB50 ST38 for seat bag with 1 Velcro band (soft band))	1
41	1572869	(Seat cover SB32 ST40 for seat bag with 1 Velcro band (soft band))	1
42	1572870	(Seat cover SB34 ST40 for seat bag with 1 Velcro band (soft band))	1
43	1572871	(Seat cover SB36 ST40 for seat bag with 1 Velcro band (soft band))	1
44	1572872	(Seat cover SB38 ST40 for seat bag with 1 Velcro band (soft band))	1
45	1572873	(Seat cover SB40 ST40 for seat bag with 1 Velcro band (soft band))	1
46	1572874	(Seat cover SB42 ST40 for seat bag with 1 Velcro band (soft band))	1
47	1572875	(Seat cover SB44 ST40 for seat bag with 1 Velcro band (soft band))	1
48	1572876	(Seat cover SB46 ST40 for seat bag with 1 Velcro band (soft band))	1
49	1572877	(Seat cover SB48 ST40 for seat bag with 1 Velcro band (soft band))	1
50	1572878	(Seat cover SB50 ST40 for seat bag with 1 Velcro band (soft band))	1
51	1572879	(Seat cover SB32 ST42 for seat bag with 1 Velcro band (soft band))	1
52	1572880	(Seat cover SB34 ST42 for seat bag with 1 Velcro band (soft band))	1
53	1572881	(Seat cover SB36 ST42 for seat bag with 1 Velcro band (soft band))	1
54	1572900	(Seat cover SB38 ST42 for seat bag with 1 Velcro band (soft band))	1
55	1572901	(Seat cover SB40 ST42 for seat bag with 1 Velcro band (soft band))	1
56	1572902	(Seat cover SB42 ST42 for seat bag with 1 Velcro band (soft band))	1
57	1572903	(Seat cover SB44 ST42 for seat bag with 1 Velcro band (soft band))	1
58	1572904	(Seat cover SB46 ST42 for seat bag with 1 Velcro band (soft band))	1
59	1572905	(Seat cover SB48 ST42 for seat bag with 1 Velcro band (soft band))	1
60	1572906	(Seat cover SB50 ST42 for seat bag with 1 Velcro band (soft band))	1
61	1572907	(Seat cover SB32 ST44 for seat bag with 1 Velcro band (soft band))	1
62	1572908	(Seat cover SB34 ST44 for seat bag with 1 Velcro band (soft band))	1
63	1572909	(Seat cover SB36 ST44 for seat bag with 1 Velcro band (soft band))	1
64	1572921	(Seat cover SB38 ST44 for seat bag with 1 Velcro band (soft band))	1
65	1572959	(Seat cover SB40 ST44 for seat bag with 1 Velcro band (soft band))	1
66	1572960	(Seat cover SB42 ST44 for seat bag with 1 Velcro band (soft band))	1
67	1572961	(Seat cover SB44 ST44 for seat bag with 1 Velcro band (soft band))	1
68	1572962	(Seat cover SB46 ST44 for seat bag with 1 Velcro band (soft band))	1
69	1572963	(Seat cover SB48 ST44 for seat bag with 1 Velcro band (soft band))	1
70	1572964	(Seat cover SB50 ST44 for seat bag with 1 Velcro band (soft band))	1
71	1572965	(Seat cover SB32 ST46 for seat bag with 1 Velcro band (soft band))	1
72	1573142	(Seat cover SB34 ST46 for seat bag with 1 Velcro band (soft band))	1
73	1573143	(Seat cover SB36 ST46 for seat bag with 1 Velcro band (soft band))	1
74	1573452	(Seat cover SB38 ST46 for seat bag with 1 Velcro band (soft band))	1
75	1573453	(Seat cover SB40 ST46 for seat bag with 1 Velcro band (soft band))	1
76	1573454	(Seat cover SB42 ST46 for seat bag with 1 Velcro band (soft band))	1
77	1573455	(Seat cover SB44 ST46 for seat bag with 1 Velcro band (soft band))	1
78	1573456	(Seat cover SB46 ST46 for seat bag with 1 Velcro band (soft band))	1
79	1573457	(Seat cover SB48 ST46 for seat bag with 1 Velcro band (soft band))	1
80	1573458	(Seat cover SB50 ST46 for seat bag with 1 Velcro band (soft band))	1
81	1573459	(Seat cover SB32 ST48 for seat bag with 1 Velcro band (soft band))	1
82	1573460	(Seat cover SB34 ST48 for seat bag with 1 Velcro band (soft band))	1
83	1573461	(Seat cover SB36 ST48 for seat bag with 1 Velcro band (soft band))	1
84	1573462	(Seat cover SB38 ST48 for seat bag with 1 Velcro band (soft band))	1
85	1573463	(Seat cover SB40 ST48 for seat bag with 1 Velcro band (soft band))	1
86	1573464	(Seat cover SB42 ST48 for seat bag with 1 Velcro band (soft band))	1

**(Seat cover with 1 Velcro band (soft band) for seat bag)**

87	1573465	(Seat cover SB44 ST48 for seat bag with 1 Velcro band (soft band))	1
88	1573466	(Seat cover SB46 ST48 for seat bag with 1 Velcro band (soft band))	1
89	1573467	(Seat cover SB48 ST48 for seat bag with 1 Velcro band (soft band))	1
90	1573468	(Seat cover SB50 ST48 for seat bag with 1 Velcro band (soft band))	1
91	1573469	(Seat cover SB32 ST50 for seat bag with 1 Velcro band (soft band))	1
92	1573470	(Seat cover SB34 ST50 for seat bag with 1 Velcro band (soft band))	1
93	1573471	(Seat cover SB36 ST50 for seat bag with 1 Velcro band (soft band))	1
94	1573496	(Seat cover SB38 ST50 for seat bag with 1 Velcro band (soft band))	1
95	1573497	(Seat cover SB40 ST50 for seat bag with 1 Velcro band (soft band))	1
96	1573498	(Seat cover SB42 ST50 for seat bag with 1 Velcro band (soft band))	1
97	1573499	(Seat cover SB44 ST50 for seat bag with 1 Velcro band (soft band))	1
98	1573500	(Seat cover SB46 ST50 for seat bag with 1 Velcro band (soft band))	1
99	1573501	(Seat cover SB48 ST50 for seat bag with 1 Velcro band (soft band))	1
100	1573502	(Seat cover SB50 ST50 for seat bag with 1 Velcro band (soft band))	1
101	1437966	SETETREKK STANG SD32 ULT RALIGHT COMPACT	1
102	1437967	SETETREKK STANG SD34 ULT RALIGHT COMPACT	1
103	1437968	SETETREKK STANG SD36 ULT RALIGHT COMPACT	1
104	1437969	SETETREKK FESTEKIT SD38 KÜSCHALL LIFE	1
105	1437970	SETETREKK FESTEKIT SD40 KÜSCHALL LIFE	1
106	1437971	SETETREKK FESTEKIT SD42 KÜSCHALL LIFE	1
107	1437972	SETETREKK FESTEKIT SD44 KÜSCHALL LIFE	1
108	1437973	SETETREKK FESTEKIT SD46 COMPACT NEO	1
109	1437974	SETETREKK STANG SD48 ULT RALIGHT COMPACT	1
110	1437975	SETETREKK STANG SD50 ULT RALIGHT COMPACT	1
111	1578786	(Seat bag SB32)	1
112	1578787	(Seat bag SB34)	1
113	1578788	(Seat bag SB36)	1
114	1578789	(Seat bag SB38)	1
115	1578790	(Seat bag SB40)	1
116	1578791	(Seat bag SB42)	1
117	1578792	(Seat bag SB44)	1
118	1578793	(Seat bag SB46)	1
119	1578794	(Seat bag SB48)	1
120	1578795	(Seat bag SB50)	1

## (Seat cover with 2 Velcro bands (rough band) for seat bag)



1	1573503	(Seat cover SB32 ST32 for seat bag with 2 Velcro bands (rough band))	1
2	1573504	(Seat cover SB34 ST32 for seat bag with 2 Velcro bands (rough band))	1
3	1573505	(Seat cover SB36 ST32 for seat bag with 2 Velcro bands (rough band))	1
4	1573506	(Seat cover SB38 ST32 for seat bag with 2 Velcro bands (rough band))	1
5	1573507	(Seat cover SB40 ST32 for seat bag with 2 Velcro bands (rough band))	1
6	1573508	(Seat cover SB42 ST32 for seat bag with 2 Velcro bands (rough band))	1
7	1573509	(Seat cover SB44 ST32 for seat bag with 2 Velcro bands (rough band))	1
8	1573510	(Seat cover SB46 ST32 for seat bag with 2 Velcro bands (rough band))	1
9	1573511	(Seat cover SB48 ST32 for seat bag with 2 Velcro bands (rough band))	1
10	1573512	(Seat cover SB50 ST32 for seat bag with 2 Velcro bands (rough band))	1
11	1573513	(Seat cover SB32 ST34 for seat bag with 2 Velcro bands (rough band))	1
12	1573514	(Seat cover SB34 ST34 for seat bag with 2 Velcro bands (rough band))	1
13	1573515	(Seat cover SB36 ST34 for seat bag with 2 Velcro bands (rough band))	1
14	1573516	(Seat cover SB38 ST34 for seat bag with 2 Velcro bands (rough band))	1
15	1573517	(Seat cover SB40 ST34 for seat bag with 2 Velcro bands (rough band))	1
16	1573518	(Seat cover SB42 ST34 for seat bag with 2 Velcro bands (rough band))	1
17	1573519	(Seat cover SB44 ST34 for seat bag with 2 Velcro bands (rough band))	1
18	1573520	(Seat cover SB46 ST34 for seat bag with 2 Velcro bands (rough band))	1
19	1573521	(Seat cover SB48 ST34 for seat bag with 2 Velcro bands (rough band))	1
20	1573522	(Seat cover SB50 ST34 for seat bag with 2 Velcro bands (rough band))	1
21	1573523	(Seat cover SB32 ST36 for seat bag with 2 Velcro bands (rough band))	1
22	1573524	(Seat cover SB34 ST36 for seat bag with 2 Velcro bands (rough band))	1
23	1573525	(Seat cover SB36 ST36 for seat bag with 2 Velcro bands (rough band))	1
24	1573526	(Seat cover SB38 ST36 for seat bag with 2 Velcro bands (rough band))	1
25	1573527	(Seat cover SB40 ST36 for seat bag with 2 Velcro bands (rough band))	1
26	1573528	(Seat cover SB42 ST36 for seat bag with 2 Velcro bands (rough band))	1
27	1573529	(Seat cover SB44 ST36 for seat bag with 2 Velcro bands (rough band))	1
28	1573530	(Seat cover SB46 ST36 for seat bag with 2 Velcro bands (rough band))	1
29	1573531	(Seat cover SB48 ST36 for seat bag with 2 Velcro bands (rough band))	1
30	1573532	(Seat cover SB50 ST36 for seat bag with 2 Velcro bands (rough band))	1
31	1573533	(Seat cover SB32 ST38 for seat bag with 2 Velcro bands (rough band))	1

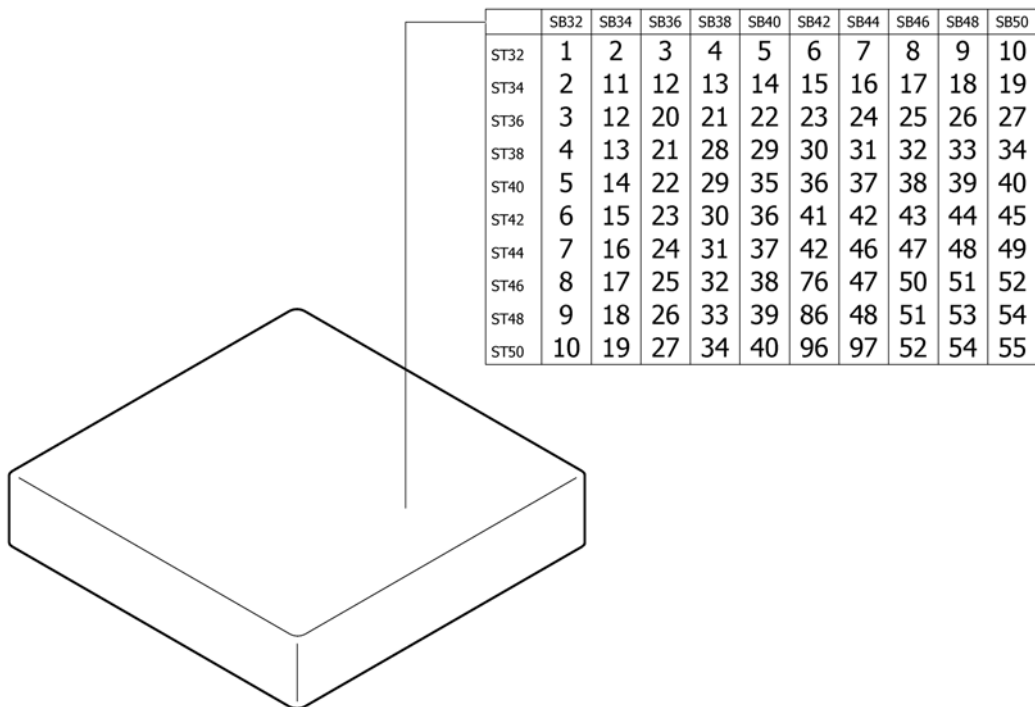




**(Seat cover with 2 Velcro bands (rough band) for seat bag)**

87	1573817	(Seat cover SB44 ST48 for seat bag with 2 Velcro bands (rough band))	1
88	1573818	(Seat cover SB46 ST48 for seat bag with 2 Velcro bands (rough band))	1
89	1573819	(Seat cover SB48 ST48 for seat bag with 2 Velcro bands (rough band))	1
90	1573820	(Seat cover SB50 ST48 for seat bag with 2 Velcro bands (rough band))	1
91	1573821	(Seat cover SB32 ST50 for seat bag with 2 Velcro bands (rough band))	1
92	1573822	(Seat cover SB34 ST50 for seat bag with 2 Velcro bands (rough band))	1
93	1573823	(Seat cover SB36 ST50 for seat bag with 2 Velcro bands (rough band))	1
94	1573824	(Seat cover SB38 ST50 for seat bag with 2 Velcro bands (rough band))	1
95	1573825	(Seat cover SB40 ST50 for seat bag with 2 Velcro bands (rough band))	1
96	1573826	(Seat cover SB42 ST50 for seat bag with 2 Velcro bands (rough band))	1
97	1573827	(Seat cover SB44 ST50 for seat bag with 2 Velcro bands (rough band))	1
98	1573828	(Seat cover SB46 ST50 for seat bag with 2 Velcro bands (rough band))	1
99	1573829	(Seat cover SB48 ST50 for seat bag with 2 Velcro bands (rough band))	1
100	1573830	(Seat cover SB50 ST50 for seat bag with 2 Velcro bands (rough band))	1
101	1437966	SETETREKK STANG SD32 ULT RALIGHT COMPACT	1
102	1437967	SETETREKK STANG SD34 ULT RALIGHT COMPACT	1
103	1437968	SETETREKK STANG SD36 ULT RALIGHT COMPACT	1
104	1437969	SETETREKK FESTEKIT SD38 KÜSCHALL LIFE	1
105	1437970	SETETREKK FESTEKIT SD40 KÜSCHALL LIFE	1
106	1437971	SETETREKK FESTEKIT SD42 KÜSCHALL LIFE	1
107	1437972	SETETREKK FESTEKIT SD44 KÜSCHALL LIFE	1
108	1437973	SETETREKK FESTEKIT SD46 COMPACT NEO	1
109	1437974	SETETREKK STANG SD48 ULT RALIGHT COMPACT	1
110	1437975	SETETREKK STANG SD50 ULT RALIGHT COMPACT	1
111	1578786	(Seat bag SB32)	1
112	1578787	(Seat bag SB34)	1
113	1578788	(Seat bag SB36)	1
114	1578789	(Seat bag SB38)	1
115	1578790	(Seat bag SB40)	1
116	1578791	(Seat bag SB42)	1
117	1578792	(Seat bag SB44)	1
118	1578793	(Seat bag SB46)	1
119	1578794	(Seat bag SB48)	1
120	1578795	(Seat bag SB50)	1

**(Seat cushion standard)**



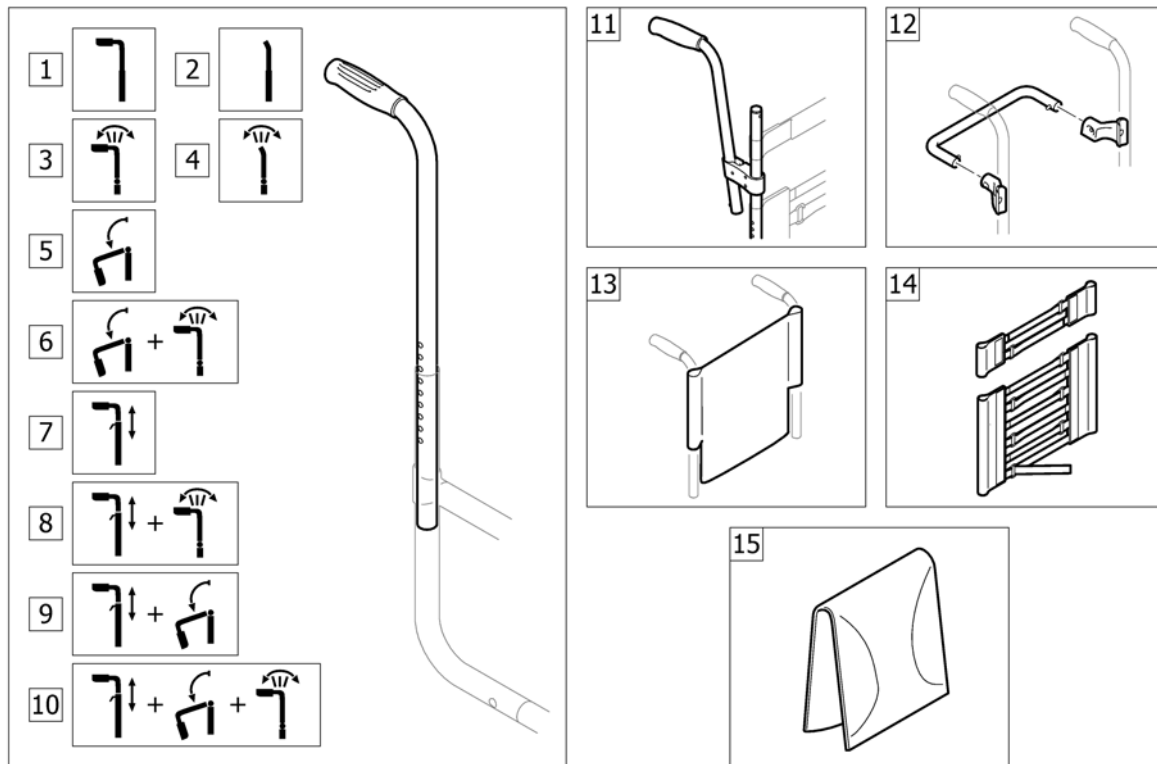
1	1556235	(Seat cushion 320mm x 320mm)	1
2	1556236	(Seat cushion 320mm x 340mm)	1
3	1556316	(Seat cushion 320mm x 360mm)	1
4	1556317	(Seat cushion 320mm x 380mm)	1
5	1556318	(Seat cushion 320mm x 400mm)	1
6	1556319	(Seat cushion 320mm x 420mm)	1
7	1556320	(Seat cushion 320mm x 440mm)	1
8	1556321	(Seat cushion 320mm x 460mm)	1
9	1556322	(Seat cushion 320mm x 480mm)	1
10	1556323	(Seat cushion 320mm x 500mm)	1
11	1556325	SETEPUTE 34/34/5 SVART KUSCHALL	1
12	1556326	(Seat cushion 340mm x 360mm)	1
13	1556327	(Seat cushion 340mm x 380mm)	1
14	1556328	(Seat cushion 340mm x 400mm)	1
15	1556329	(Seat cushion 340mm x 420mm)	1
16	1556330	(Seat cushion 340mm x 440mm)	1
17	1556331	(Seat cushion 340mm x 460mm)	1
18	1556332	(Seat cushion 340mm x 480mm)	1
19	1556333	(Seat cushion 340mm x 500mm)	1
20	1556335	SETEPUTE 36X36X5 KUSCHALL	1
21	1556336	PUTE SETE SB 36 SD38 KUSCHALL	1
22	1556337	SETEPUTE 360mm x 400mm KUSCHALL	1
23	1556338	(Seat cushion 360mm x 420mm)	1
24	1556339	(Seat cushion 360mm x 440mm)	1
25	1556340	(Seat cushion 360mm x 460mm)	1
26	1556341	(Seat cushion 360mm x 480mm)	1
27	1556342	(Seat cushion 360mm x 500mm)	1
28	1556344	(Seat cushion 380mm x 380mm)	1
29	1556345	(Seat cushion 380mm x 400mm)	1
30	1556346	(Seat cushion 380mm x 420mm)	1
31	1556347	(Seat cushion 380mm x 440mm)	1

**(Seat cushion standard)**

---

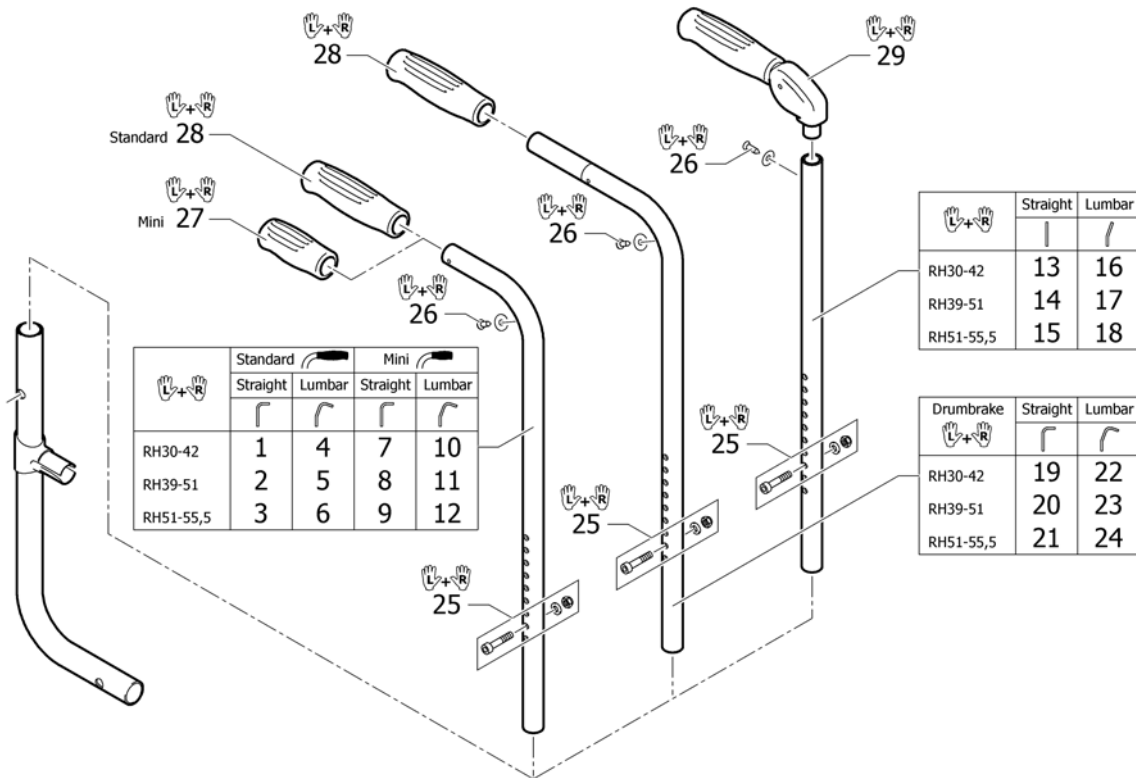
32	1556348	(Seat cushion 380mm x 460mm)	1
33	1556349	(Seat cushion 380mm x 480mm)	1
34	1556350	(Seat cushion 380mm x 500mm)	1
35	1556352	SETEPUTE 40/40/5 SORT KUSCHALL	1
36	1556353	SETEPUTE 40/42/5 SORT KUSCHALL	1
37	1556354	SETEPUTE 40X44X5 SORT KUSCHALL	1
38	1556355	SETEPUTE 400mm x 460mm KUSCHALL	1
39	1556356	(Seat cushion 400mm x 480mm)	1
40	1556357	SETEPUTE 40X50 KUSCHALL	1
41	1556359	SETEPUTE 420mm x 420mm KUSCHALL	1
42	1556360	(Seat cushion 420mm x 440mm)	1
43	1556361	(Seat cushion 420mm x 460mm)	1
44	1556362	(Seat cushion 420mm x 480mm)	1
45	1556363	(Seat cushion 420mm x 500mm)	1
46	1556365	SETEPUTE 44/44/5 SORT KUSCHALL	1
47	1556366	SETEPUTE 46/44/5 SORT KUSCHALL	1
48	1556367	SETEPUTE 44/48/5 SORT KUSCHALL	1
49	1556368	(Seat cushion 440mm x 500mm)	1
50	1556370	SETEPUTE 46/46/5 SORT KUSCHALL	1
51	1556371	(Seat cushion 460mm x 480mm)	1
52	1556372	(Seat cushion 460mm x 500mm)	1
53	1556374	SETEPUTE 48/48/5 SORT KUSCHALL	1
54	1556375	(Seat cushion 480mm x 500mm)	1
55	1556377	(Seat cushion 500mm x 500mm)	1

**(BACKREST)**



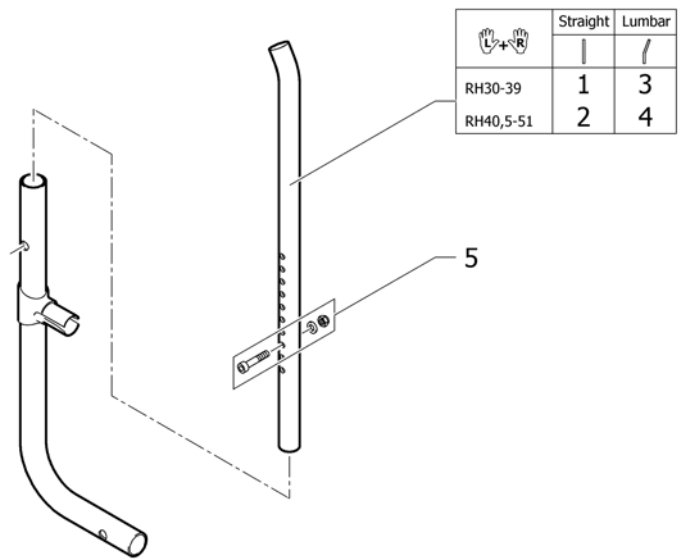
1	-	(Push handles for backrest standard)	01.01.2004 → 31.12.2012	1
2	-	(Backrest tubes without push handles for standard backrest)	01.07.2008 → 31.12.2012	1
3	-	(Push handles for backrest angle adjustable)	01.01.2004 → 31.12.2012	1
4	-	(Backrest tubes without push handles for angle adjustable backrest)	01.07.2008 → 31.12.2012	1
5	-	(Push handles for backrest foldable)	01.01.2004 → 31.12.2012	1
6	-	(Push handles for backrest foldable + angle adjustable)	01.01.2004 → 31.12.2012	1
7	-	(Push handles height adjustable)	01.01.2004 → 31.12.2012	1
8	-	(Push handles height adjustable for backrest angle adjustable)	01.01.2004 → 31.12.2012	1
9	-	(Push handles height adjustable for backrest foldable)	01.01.2004 → 31.12.2012	1
10	-	(Push handles height adjustable for backrest foldable + angle adjustable)	01.01.2004 → 31.12.2012	1
11	-	(Push handles, inclined)	01.01.2004 → 31.12.2012	1
12	-	(Backrest stabilization bar)	01.07.2008 → 31.12.2012	1
13	-	(Back cover, standard)	01.01.2004 → 31.12.2012	1
14	-	(Bands to adjustable backrest)	01.01.2004 → 31.12.2012	1
15	-	(Cover to adjustable backrest)	01.01.2004 → 31.12.2012	1

**(Push handles for backrest standard)**



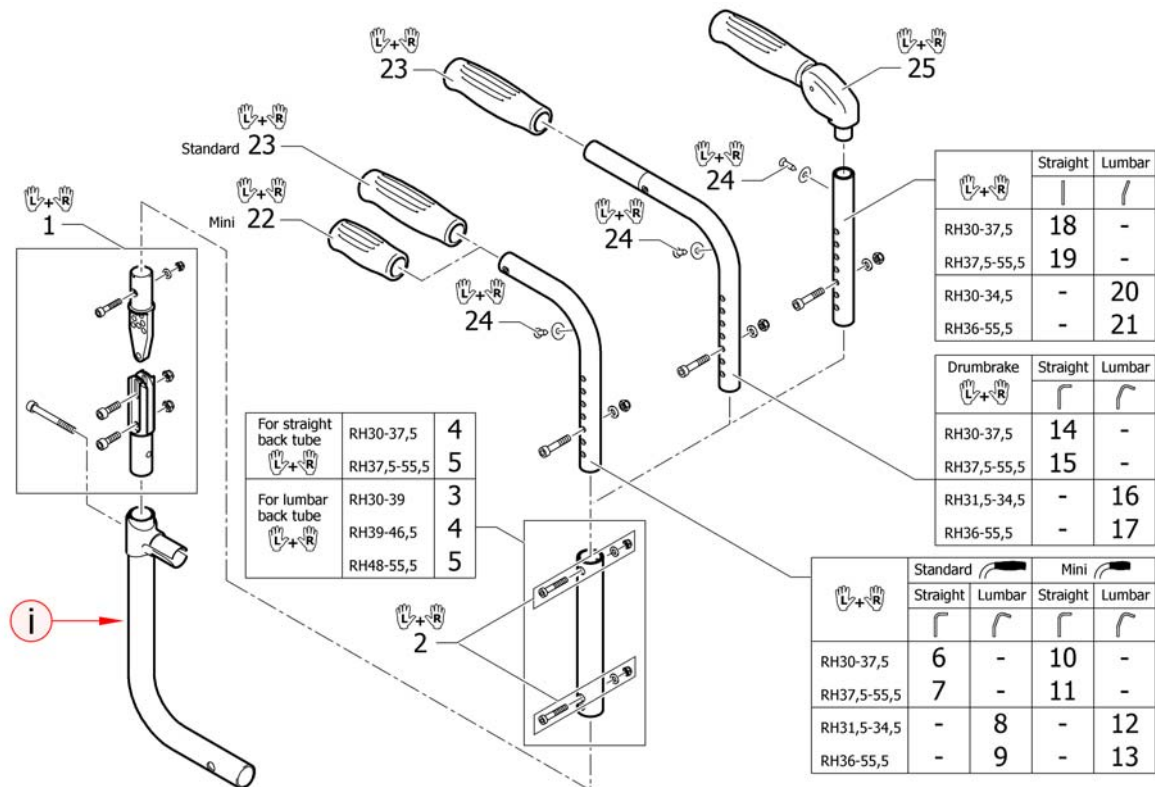
1	1507721	RYGGRØR COMPACT KORT PAR	1
2	1507722	RYGGRØR COMPACT MEDIUM PAR	1
3	1507723	RYGGRØR COMPACT LANG PAR	1
4	1507724	(Push handles standard lumbar short, pair)	1
5	1507725	RYGGRØR COMPACT LUMBAL MEDIUM PAR	1
6	1507726	RYGGRØR COMPACT LUMBAL LANG COMP ULTRAL	1
7	1525336	(Push handles mini, short, pair)	1
8	1525337	(Push handles mini, medium, pair)	1
9	1525338	(Push handles mini, long, pair)	1
10	1525339	(Push handles mini lumbar short, pair)	1
11	1525340	(Push handles mini lumbar medium, pair)	1
12	1525341	(Push handles mini lumbar long, pair)	1
13	1507715	(Backrest tube straight short to foldable push handles, pair)	1
14	1507716	(Backrest tube straight medium to foldable push handles, pair)	1
15	1507717	(Backrest tube straight long to foldable push handles, pair)	1
16	1507718	RYGGRØR KORT PAR	1
17	1507719	(Backrest tube lumbar medium to foldable push handles, pair)	1
18	1507720	(Backrest tube lumbar long to foldable push handles, pair)	1
19	1507727	RYGGRØR KORT FUSION/K4/A IRLITE PAR LEDSAGERBREMS	1
20	1507728	(Push handles medium to drum brake, pair)	1
21	1507729	(Push handles long to drum brake, pair)	1
22	1507730	(Push handles lumbar short to drum brake, pair)	1
23	1507731	(Push handles lumbar medium to drum brake, pair)	1
24	1507732	(Push handles lumbar long to drum brake, pair)	1
25	1439279	SKRUER TIL RYGGRØR COMPACT	1
26	1432083	FESTEKIT FOR RYGGBÅND CHAMPION KÜSCHALL	1
27	1525126	KJØREHÅNDTAK MINI SORT PLAST KUSCHALL	1
28	1507734	KJØREHÅNDTAK SVART PLAST PAR KUSCHALL	1
29	1507733	KJØREHÅNDTAK FOLDBARE KUSCHALL CO PAR	1

**(Backrest tubes without push handles for standard backrest)**



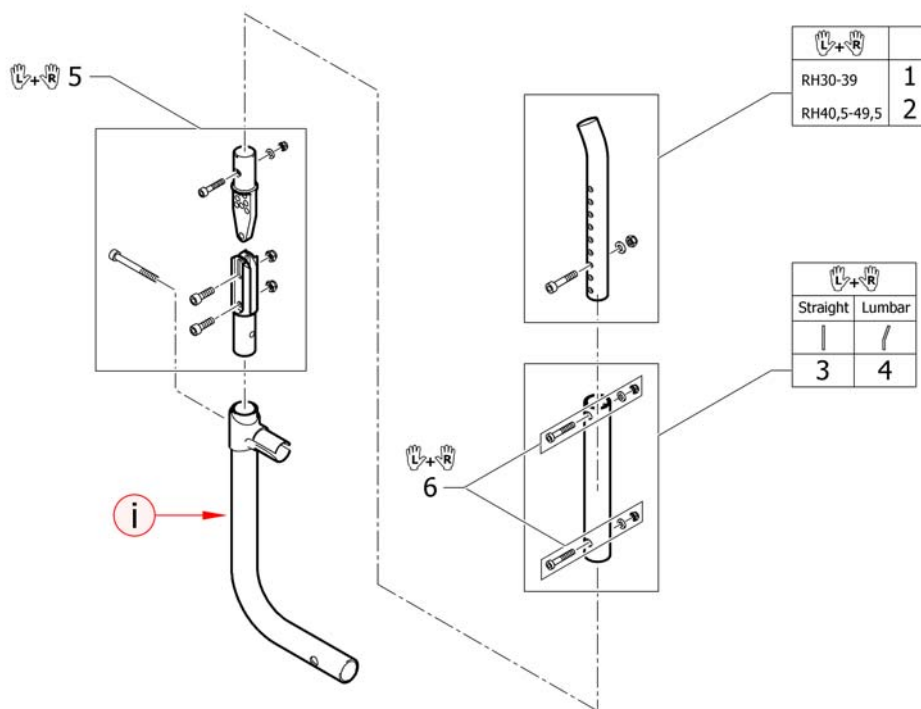
1	1518292	RYGGRØR RETT TELESKOP RH30-39 PAR	1
2	1518293	RYGGRØR UTEN KJØRE HÅNDTAK XL PAR KUSCHALL	1
3	1518294	RYGGRØR UTEN KJØRE HÅNDTAK L PAR KUSCHALL	1
4	1518295	RYGGRØR UTEN KJØRE HÅNDTAK XL PAR KUSCHALL	1
5	1439279	SKRUER TIL RYGGRØR COMPACT	1

## (Push handles for backrest angle adjustable)



i	-	(A special rear frame is necessary. Please see chapter CHASSIS.)	0
1	1438208	RYGG VREG KIT PAR CO KUN LEDD.	1
2	1509134	(Screw kit for telescopic tube)	1
3	1439459	RYGGRØR MIDTRE DEL VREG RYGG UL CO	1
4	1438209	RYGGRØR TELESKOPISK KIT 34,5 - 43,5 KUSCHALL CO	1
5	1439460	RYGGRØR VREG KIT PAR LANG CO UL	1
6	1507739	HÅNDTAK STD XS PAR	1
7	1507740	KJØREH FOR VREG RYGG PAR	1
8	1507741	(Push handles standard lumbar XS, pair)	1
9	1507742	(Push handles standard lumbar S, pair)	1
10	1525342	(Push handles mini, XS, pair)	1
11	1525343	(Push handles mini, S, pair)	1
12	1525344	(Push handles mini lumbar XS, pair)	1
13	1525345	(Push handles mini lumbar S, pair)	1
14	1507743	(Push handles XS to drum brake, pair)	1
15	1507744	(Push handles S to drum brake, pair)	1
16	1507745	(Push handles lumbar XS to drum brake, pair)	1
17	1507746	(Push handles lumbar S to drum brake, pair)	1
18	1507735	RYGGRØR RAK KJØREHÅNDTAK FOLDBARE XS KUSCHALL CO	1
19	1507736	(Backrest tube straight S to foldable push handles, pair)	1
20	1507737	(Backrest tube lumbar XS to foldable push handles, pair)	1
21	1507738	(Backrest tube lumbar S to foldable push handles, pair)	1
22	1525126	KJØREHÅNDTAK MINI SORT PLAST KUSCHALL	1
23	1507734	KJØREHÅNDTAK SVART PLAST PAR KUSCHALL	1
24	1432083	FESTEKIT FOR RYGGBÅND CHAMPION KUSCHALL	1
25	1507733	KJØREHÅNDTAK FOLDBARE KUSCHALL CO PAR	1

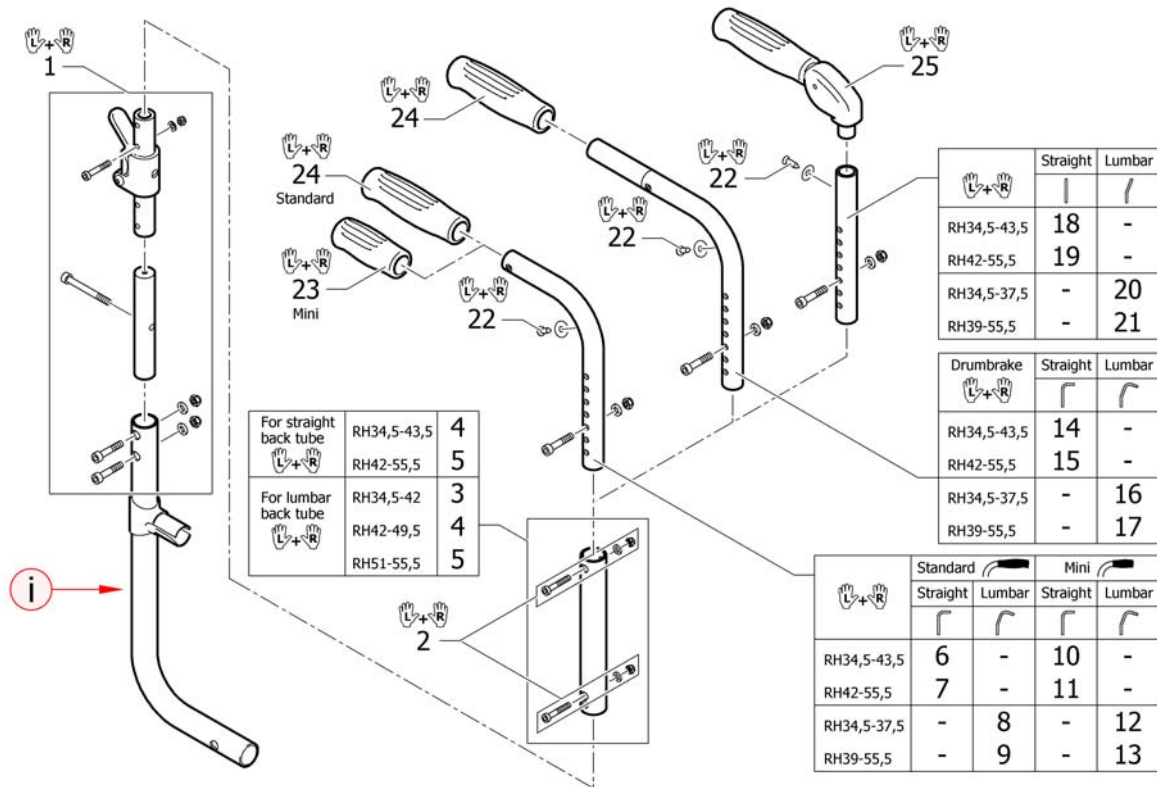
## (Backrest tubes without push handles for angle adjustable backrest)



i	-	(A special rear frame is necessary. Please see chapter CHASSIS.)	0
1	1518290	RYGGRØR UTEN KJØRE HÅNDTAK S PAR KUSCHALL	1
2	1518291	RYGGRØR UTEN KJØRE HÅNDTAK M PAR KUSCHALL	1
3	1438209	RYGGRØR TELESKOPISK KIT 34,5 - 43,5 KUSCHALL CO	1
4	1518296	(Tube kit lumbar to angle adjustable back)	1
5	1438208	RYGG VREG KIT PAR CO KUN LEDD.	1
6	1509134	(Screw kit for telescopic tube)	1

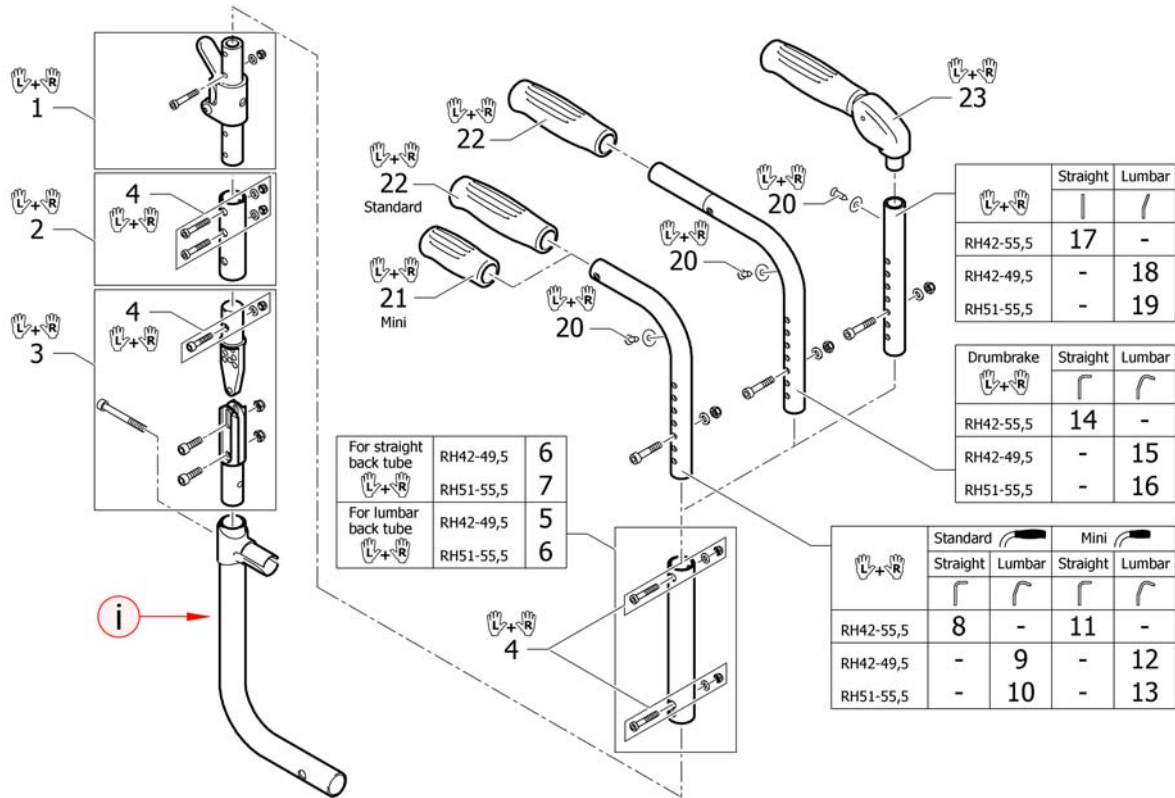


**(Push handles for backrest foldable)**

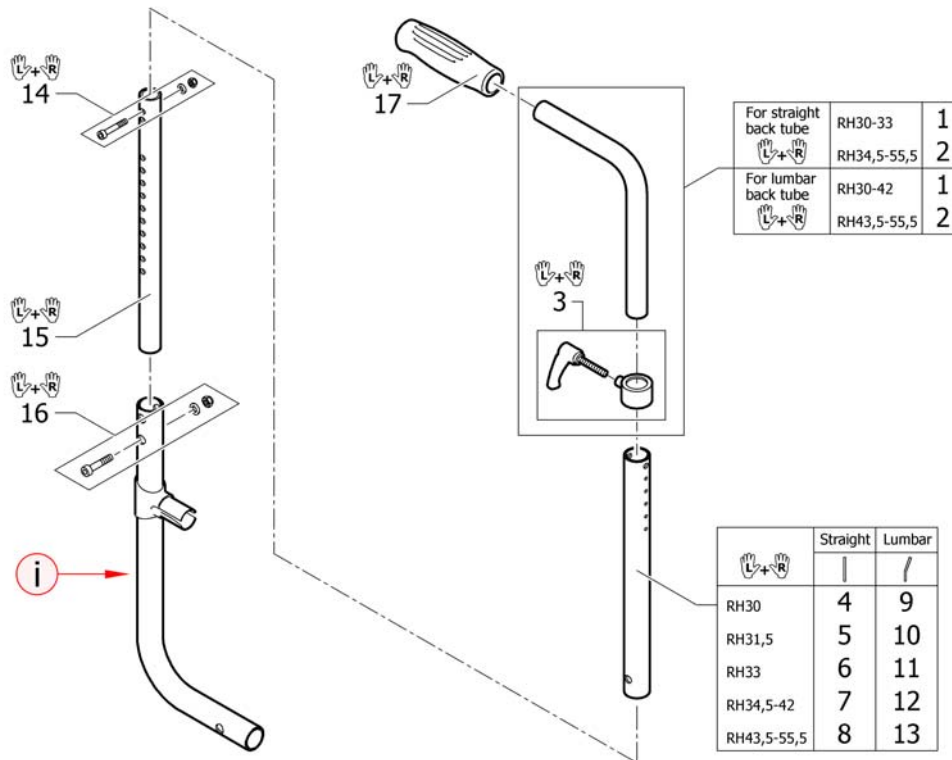


i	-	(A special rear frame is necessary. Please see chapter CHASSIS.)	0
1	1438207	RYGG FOLDBAR SETT CO UL+ 1438209	1
2	1509134	(Screw kit for telescopic tube)	1
3	1439459	RYGGRØR MIDTRE DEL VREG RYGG UL CO	1
4	1438209	RYGGRØR TELESKOPISK KIT 34,5 - 43,5 KUSCHALL CO	1
5	1439460	RYGGRØR VREG KIT PAR LANG CO UL	1
6	1507739	HÅNDTAK STD XS PAR	1
7	1507740	KJØREH FOR VREG RYGG PAR	1
8	1507741	(Push handles standard lumbar XS, pair)	1
9	1507742	(Push handles standard lumbar S, pair)	1
10	1525342	(Push handles mini, XS, pair)	1
11	1525343	(Push handles mini, S, pair)	1
12	1525344	(Push handles mini lumbar XS, pair)	1
13	1525345	(Push handles mini lumbar S, pair)	1
14	1507743	(Push handles XS to drum brake, pair)	1
15	1507744	(Push handles S to drum brake, pair)	1
16	1507745	(Push handles lumbar XS to drum brake, pair)	1
17	1507746	(Push handles lumbar S to drum brake, pair)	1
18	1507735	RYGGRØR RAK KJØREHÅNDTAK FOLDBARE XS KUSCHALL CO	1
19	1507736	(Backrest tube straight S to foldable push handles, pair)	1
20	1507737	(Backrest tube lumbar XS to foldable push handles, pair)	1
21	1507738	(Backrest tube lumbar S to foldable push handles, pair)	1
22	1432083	FESTEKIT FOR RYGGBÅND CHAMPION KUSCHALL	1
23	1525126	KJØREHÅNDTAK MINI SORT PLAST KUSCHALL	1
24	1507734	KJØREHÅNDTAK SVART PLAST PAR KUSCHALL	1
25	1507733	KJØREHÅNDTAK FOLDBARE KUSCHALL CO PAR	1

**(Push handles for backrest foldable + angle adjustable)**

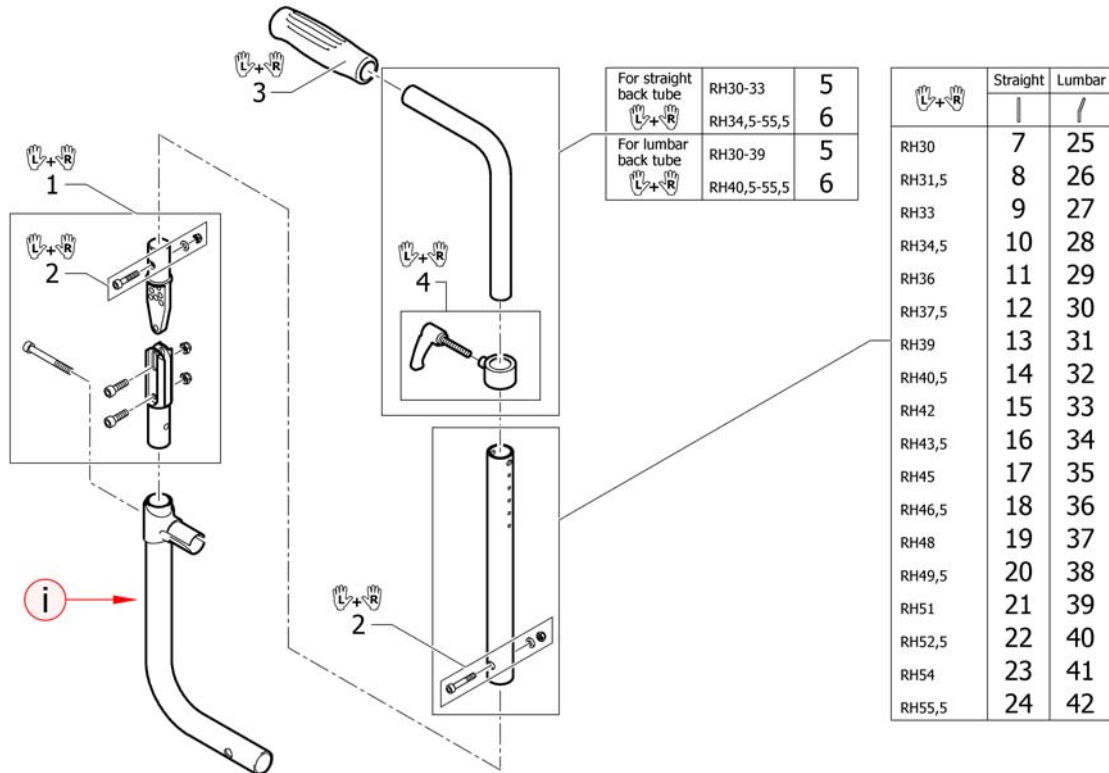


i	-	(A special rear frame is necessary. Please see chapter CHASSIS.)	0
1	1507749	LEDD TIL FELLBAR OG VREG RYGG PAR CO	1
2	1507748	KOBLINGSRØR FELLBAR OG VREG RYGG PAR CO	1
3	1438208	RYGG VREG KIT PAR CO KUN LEDD.	1
4	1509135	SKRUE KIT TIL KOBLINGSRØR VREG OG FELL	1
5	1439459	RYGGRØR MIDTRE DEL VREG RYGG UL CO	1
6	1438209	RYGGRØR TELESKOPIST KIT 34,5 - 43,5 KUSCHALL CO	1
7	1439460	RYGGRØR VREG KIT PAR LANG CO UL	1
8	1507739	HÅNDTAK STD XS PAR	1
9	1507741	(Push handles standard lumbar XS, pair)	1
10	1507742	(Push handles standard lumbar S, pair)	1
11	1525342	(Push handles mini, XS, pair)	1
12	1525344	(Push handles mini lumbar XS, pair)	1
13	1525345	(Push handles mini lumbar S, pair)	1
14	1507743	(Push handles XS to drum brake, pair)	1
15	1507745	(Push handles lumbar XS to drum brake, pair)	1
16	1507746	(Push handles lumbar S to drum brake, pair)	1
17	1507735	RYGGRØR RAK KJØREHÅNDTAK FOLDBARE XS KUSCHALL CO	1
18	1507737	(Backrest tube lumbar XS to foldable push handles, pair)	1
19	1507738	(Backrest tube lumbar S to foldable push handles, pair)	1
20	1432083	FESTEKIT FOR RYGGBÅND CHAMPION KUSCHALL	1
21	1525126	KJØREHÅNDTAK MINI SORT PLAST KUSCHALL	1
22	1507734	KJØREHÅNDTAK SVART PLAST PAR KUSCHALL	1
23	1507733	KJØREHÅNDTAK FOLDBARE KUSCHALL CO PAR	1



i	-	(A special rear frame is necessary. Please see chapter CHASSIS.)	0
14	1438203	KJØREHÅNDTAK INTERGRERT KORT 20CM KÜSCHALL PAR	1
2	1438204	KJØREHÅNDT INTERGR.HØREG KÜSPAR	1
3	1549985	(Adjusting lever for height adjustable, integrated push handles, pair)	1
4	1507750	(Backrest tube L.235mm straight to integrated push handles, pair)	1
5	1507751	RYGGRØR L 250MM KUSCHALL PAR	1
6	1507752	RYGGRØR L 265MM KUSCHALL PAR	1
7	1507753	RYGGRØR L 280MM KUSCHALL PAR FOR 1438204	1
8	1509103	RYGGRØR I355 RETTE PAR	1
9	1509114	(Backrest tube L.235mm lumbar to integrated push handles, pair)	1
10	1509115	(Backrest tube L.250mm lumbar to integrated push handles, pair)	1
11	1509116	(Backrest tube L.265mm lumbar to integrated push handles, pair)	1
12	1509117	(Backrest tube L.280mm lumbar to integrated push handles, pair)	1
13	1509122	(Backrest tube L.355mm lumbar to integrated push handles, pair)	1
14	1509136	SKRUE KIT FOR RYGGRØR KUSCHALL	1
15	1507747	TELESKOP RYGGRØR PAR KÜS.PAR	1
16	1439279	SKRUER TIL RYGGRØR COMPACT	1
17	1507734	KJØREHÅNDTAK SVART PLAST PAR KUSCHALL	1

**(Push handles height adjustable for backrest angle adjustable)**



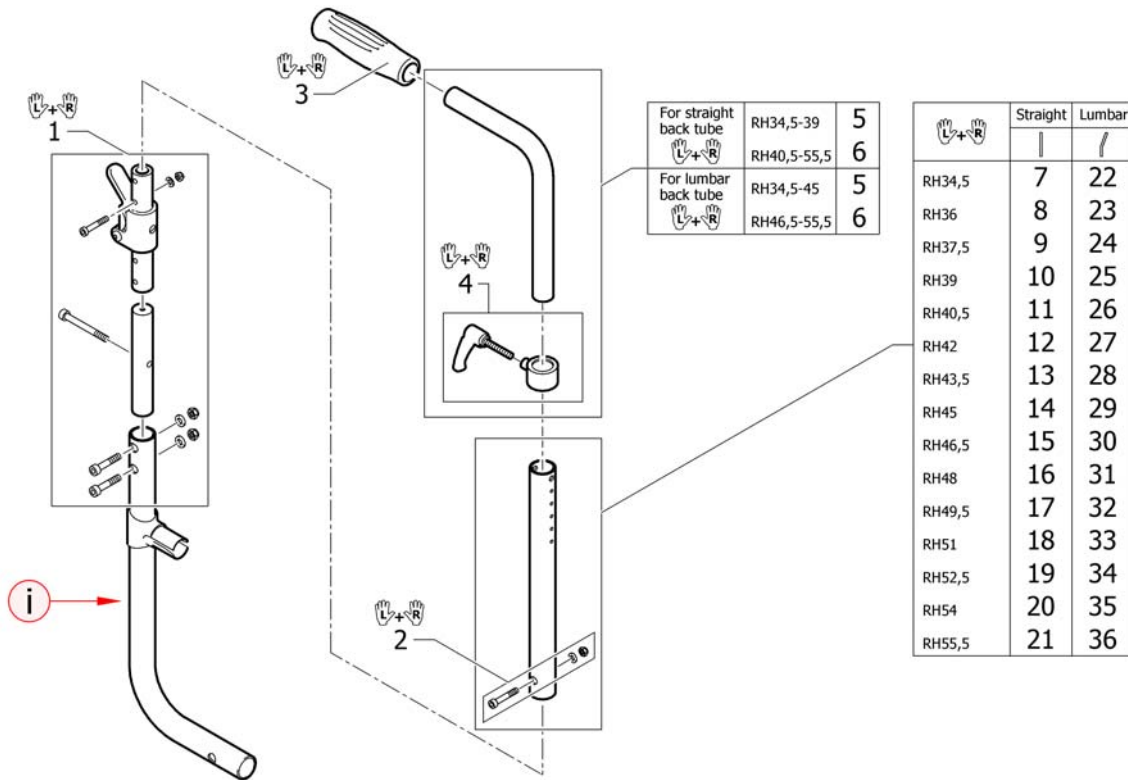
i	-	(A special rear frame is necessary. Please see chapter CHASSIS.)	0
1	1438208	RYGG VREG KIT PAR CO KUN LEDD.	1
2	1509136	SKRUE KIT FOR RYGGRØR KUSCHALL	1
3	1507734	KJØREHÅNDTAK SVART PLAST PAR KUSCHALL	1
4	1549985	(Adjusting lever for height adjustable, integrated push handles, pair)	1
5	1438203	KJØREHÅNDTAK INTERGRERT KORT 20CM KUSCHALL PAR	1
6	1438204	KJØREHÅNDT INTERGR.HØREG KÜSPAR	1
7	1507751	RYGGRØR L 250MM KUSCHALL PAR	1
8	1507752	RYGGRØR L 265MM KUSCHALL PAR	1
9	1507753	RYGGRØR L 280MM KUSCHALL PAR FOR 1438204	1
10	1507862	RYGGRØR RAK 295MM FOR INT KJØRHÅNDT PAR	1
11	1508438	(Backrest tube L.310mm straight to integrated push handles, pair)	1
12	1508466	(Backrest tube L.325mm straight to integrated push handles, pair)	1
13	1508498	(Backrest tube L.340mm straight to integrated push handles, pair)	1
14	1509103	RYGGRØR I355 RETTE PAR	1
15	1509104	RYGGRØR FOR INTEGR. KJØREH VREG RYGGH 42 PAR	1
16	1509105	RYGGRØR FOR INTEGR. KJØREH VRG RYGGH 43,5PAR	1
17	1509106	RYGGRØR FOR INTEGR. KJØREH VRG RYGGH 45PAR	1
18	1509107	(Backrest tube L.415mm straight to integrated push handles, pair)	1
19	1509108	RYGGRØR RH 48 RETT FOR INTEGRERTE KJØREH PAR	1
20	1509109	(Backrest tube L.445mm straight to integrated push handles, pair)	1
21	1509110	RYGGRØR FOR INTEGR. KJØREH VRG RYGGH 51 PAR	1
22	1509111	(Backrest tube L.475mm straight to integrated push handles, pair)	1
23	1509112	(Backrest tube L.490mm straight to integrated push handles, pair)	1
24	1509113	(Backrest tube L.505mm straight to integrated push handles, pair)	1
25	1509115	(Backrest tube L.250mm lumbar to integrated push handles, pair)	1
26	1509116	(Backrest tube L.265mm lumbar to integrated push handles, pair)	1
27	1509117	(Backrest tube L.280mm lumbar to integrated push handles, pair)	1
28	1509118	(Backrest tube L.295mm lumbar to integrated push handles, pair)	1
29	1509119	(Backrest tube L.310mm lumbar to integrated push handles, pair)	1
30	1509120	(Backrest tube L.325mm lumbar to integrated push handles, pair)	1

**(Push handles height adjustable for backrest angle adjustable)**

---

31	1509121	(Backrest tube L.340mm lumbar to integrated push handles, pair)	1
32	1509122	(Backrest tube L.355mm lumbar to integrated push handles, pair)	1
33	1509123	(Backrest tube L.370mm lumbar to integrated push handles, pair)	1
34	1509124	(Backrest tube L.385mm lumbar to integrated push handles, pair)	1
35	1509125	(Backrest tube L.400mm lumbar to integrated push handles, pair)	1
36	1509126	(Backrest tube L.415mm lumbar to integrated push handles, pair)	1
37	1509127	(Backrest tube L.430mm lumbar to integrated push handles, pair)	1
38	1509128	(Backrest tube L.445mm lumbar to integrated push handles, pair)	1
39	1509129	(Backrest tube L.460mm lumbar to integrated push handles, pair)	1
40	1509130	(Backrest tube L.475mm lumbar to integrated push handles, pair)	1
41	1509131	(Backrest tube L.490mm lumbar to integrated push handles, pair)	1
42	1509132	(Backrest tube L.505mm lumbar to integrated push handles, pair)	1

**(Push handles height adjustable for backrest foldable)**



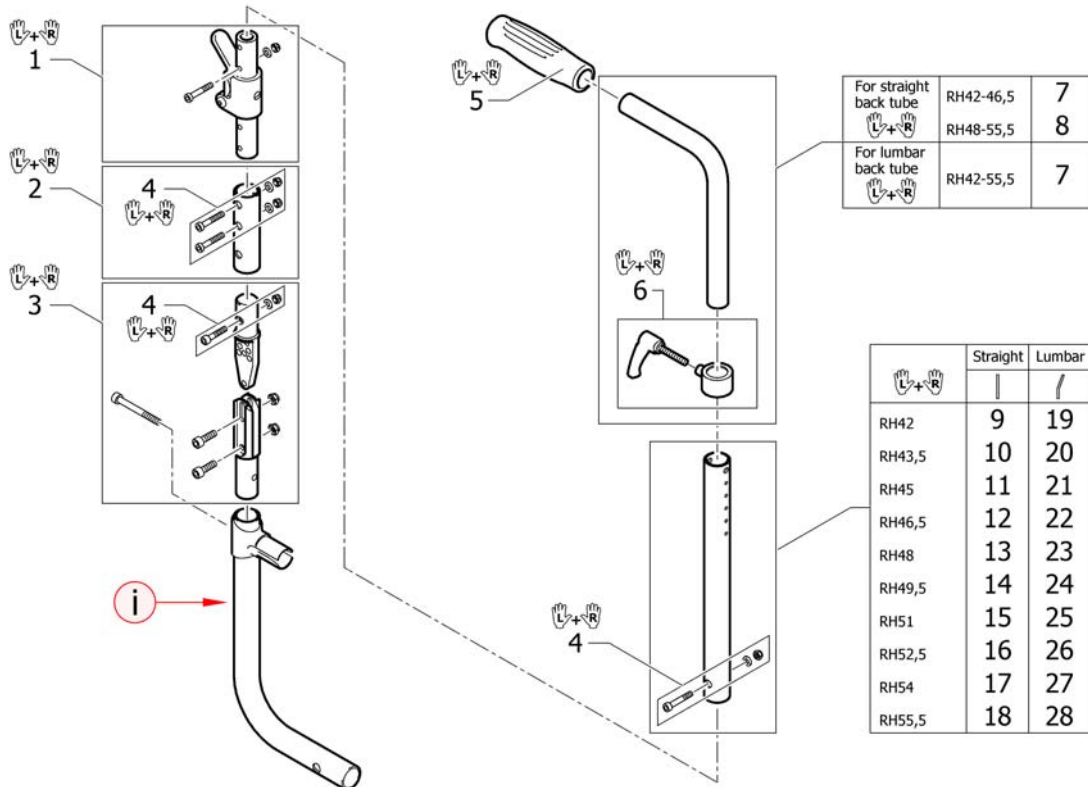
i	-	(A special rear frame is necessary. Please see chapter CHASSIS.)	0
1	1438207	RYGG FOLDBAR SETT CO UL+ 1438209	1
2	1509136	SKRUE KIT FOR RYGGRØR KUSCHALL	1
3	1507734	KJØREHÅNDTAK SVART PLAST PAR KUSCHALL	1
4	1549985	(Adjusting lever for height adjustable, integrated push handles, pair)	1
5	1438203	KJØREHÅNDTAK INTERGRERT KORT 20CM KUSCHALL PAR	1
6	1438204	KJØREHÅNDT INTERGR.HØREG KÜSPAR	1
7	1507750	(Backrest tube L.235mm straight to integrated push handles, pair)	1
8	1507751	RYGGRØR L 250MM KUSCHALL PAR	1
9	1507752	RYGGRØR L 265MM KUSCHALL PAR	1
10	1507753	RYGGRØR L 280MM KUSCHALL PAR FOR 1438204	1
11	1507862	RYGGRØR RAK 295MM FOR INT KJØRHÅNDT PAR	1
12	1508438	(Backrest tube L.310mm straight to integrated push handles, pair)	1
13	1508466	(Backrest tube L.325mm straight to integrated push handles, pair)	1
14	1508498	(Backrest tube L.340mm straight to integrated push handles, pair)	1
15	1509103	RYGGRØR I355 RETTE PAR	1
16	1509104	RYGGRØR FOR INTEGR. KJØREH VREG RYGGH 42 PAR	1
17	1509105	RYGGRØR FOR INTEGR. KJØREH VRG RYGGH 43,5PAR	1
18	1509106	RYGGRØR FOR INTEGR. KJØREH VRG RYGGH 45PAR	1
19	1509107	(Backrest tube L.415mm straight to integrated push handles, pair)	1
20	1509108	RYGGRØR RH 48 RETT FOR INTEGRERTE KJØREH PAR	1
21	1509109	(Backrest tube L.445mm straight to integrated push handles, pair)	1
22	1509114	(Backrest tube L.235mm lumbar to integrated push handles, pair)	1
23	1509115	(Backrest tube L.250mm lumbar to integrated push handles, pair)	1
24	1509116	(Backrest tube L.265mm lumbar to integrated push handles, pair)	1
25	1509117	(Backrest tube L.280mm lumbar to integrated push handles, pair)	1
26	1509118	(Backrest tube L.295mm lumbar to integrated push handles, pair)	1
27	1509119	(Backrest tube L.310mm lumbar to integrated push handles, pair)	1
28	1509120	(Backrest tube L.325mm lumbar to integrated push handles, pair)	1
29	1509121	(Backrest tube L.340mm lumbar to integrated push handles, pair)	1
30	1509122	(Backrest tube L.355mm lumbar to integrated push handles, pair)	1

**(Push handles height adjustable for backrest foldable)**

---

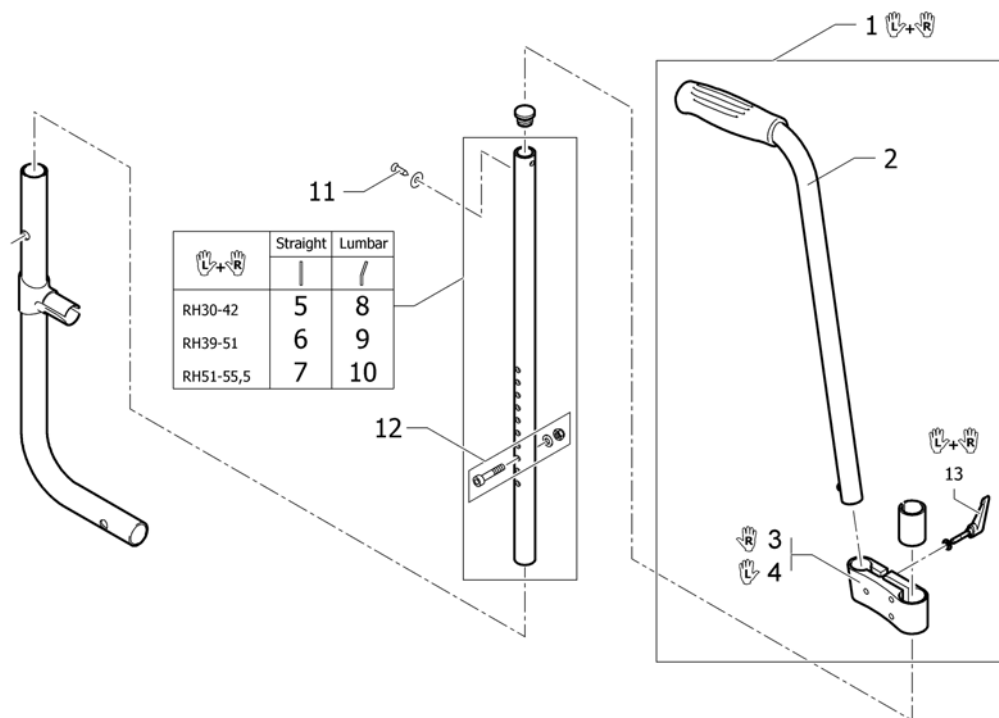
31	1509123	(Backrest tube L.370mm lumbar to integrated push handles, pair)	1
32	1509124	(Backrest tube L.385mm lumbar to integrated push handles, pair)	1
33	1509125	(Backrest tube L.400mm lumbar to integrated push handles, pair)	1
34	1509126	(Backrest tube L.415mm lumbar to integrated push handles, pair)	1
35	1509127	(Backrest tube L.430mm lumbar to integrated push handles, pair)	1
36	1509128	(Backrest tube L.445mm lumbar to integrated push handles, pair)	1

**(Push handles height adjustable for backrest foldable + angle adjustable)**



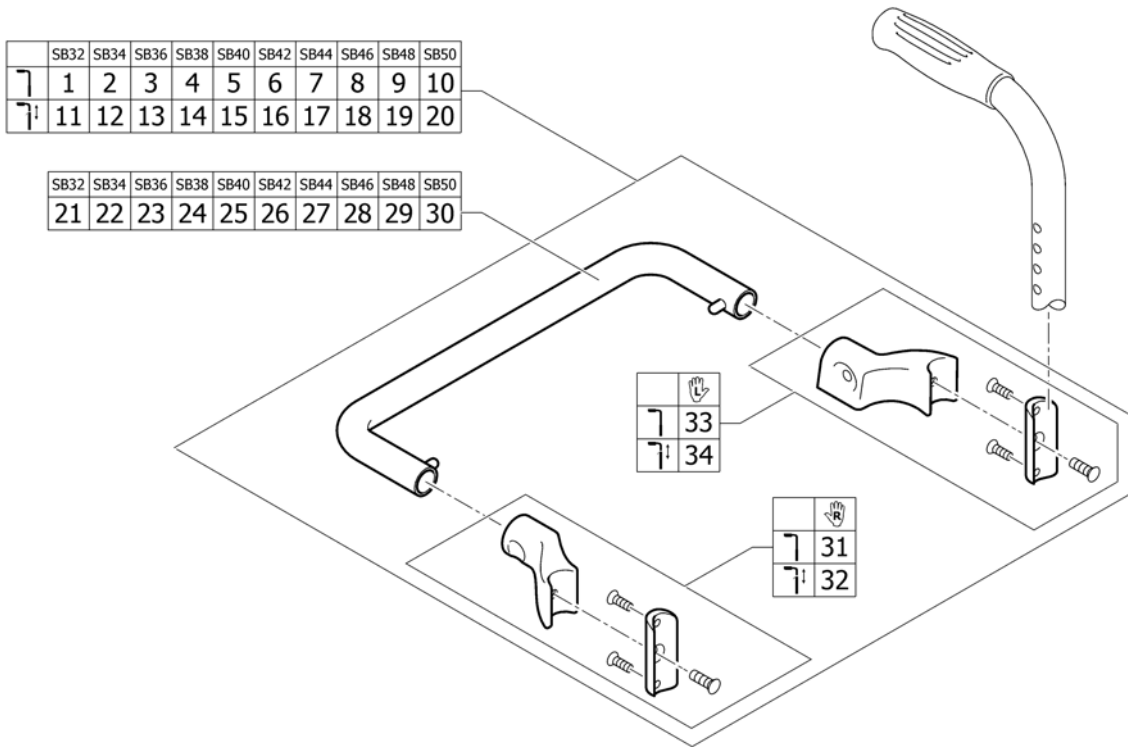
i	-	(A special rear frame is necessary. Please see chapter CHASSIS.)	0
1	1507749	LEDD TIL FELLBAR OG VREG RYGG PAR CO	1
2	1507748	KOBLINGSRØR FELLBAR OG VREG RYGG PAR CO	1
3	1438208	RYGG VREG KIT PAR CO KUN LEDD.	1
4	1509135	SKRUE KIT TIL KOBLINGSRØR VREG OG FELL	1
5	1507734	KJØREHÅNDTAK SVART PLAST PAR KUSCHALL	1
6	1549985	(Adjusting lever for height adjustable, integrated push handles, pair)	1
7	1438203	KJØREHÅNDTAK INTERGRERT KORT 20CM KUSCHALL PAR	1
8	1438204	KJØREHÅNDT INTERGR.HØREG KÜSPAR	1
9	1507750	(Backrest tube L.235mm straight to integrated push handles, pair)	1
10	1507751	RYGGRØR L 250MM KUSCHALL PAR	1
11	1507752	RYGGRØR L 265MM KUSCHALL PAR	1
12	1507753	RYGGRØR L 280MM KUSCHALL PAR FOR 1438204	1
13	1507862	RYGGRØR RAK 295MM FOR INT KJØRHÅNDT PAR	1
14	1508438	(Backrest tube L.310mm straight to integrated push handles, pair)	1
15	1508466	(Backrest tube L.325mm straight to integrated push handles, pair)	1
16	1508498	(Backrest tube L.340mm straight to integrated push handles, pair)	1
17	1509103	RYGGRØR I355 RETTE PAR	1
18	1509104	RYGGRØR FOR INTEGR. KJØREH VREG RYGGH 42 PAR	1
19	1509114	(Backrest tube L.235mm lumbar to integrated push handles, pair)	1
20	1509115	(Backrest tube L.250mm lumbar to integrated push handles, pair)	1
21	1509116	(Backrest tube L.265mm lumbar to integrated push handles, pair)	1
22	1509117	(Backrest tube L.280mm lumbar to integrated push handles, pair)	1
23	1509118	(Backrest tube L.295mm lumbar to integrated push handles, pair)	1
24	1509119	(Backrest tube L.310mm lumbar to integrated push handles, pair)	1
25	1509120	(Backrest tube L.325mm lumbar to integrated push handles, pair)	1
26	1509121	(Backrest tube L.340mm lumbar to integrated push handles, pair)	1
27	1509122	(Backrest tube L.355mm lumbar to integrated push handles, pair)	1
28	1509123	(Backrest tube L.370mm lumbar to integrated push handles, pair)	1



**(Push handles, inclined)**

1	1517876	KJØREHÅNDTAK KOMPL PAR FESTE PÅ RYGGALLE <i>Replaces 907.1157</i>	1
2	1438938	BAKENFORLIG KJØREH KPL UTEN FESTE KUSCHALL	1
3	1438939	FESTE BAKENFORLIG KJØREH HØYRE ALLE STOLER	1
4	1438940	FESTE BAKENFORLIG KJØREH VENSTRE ALLE STOLER	1
5	1507715	(Backrest tube straight short to foldable push handles, pair)	1
6	1507716	(Backrest tube straight medium to foldable push handles, pair)	1
7	1507717	(Backrest tube straight long to foldable push handles, pair)	1
8	1507718	RYGGRØR KORT PAR	1
9	1507719	(Backrest tube lumbar medium to foldable push handles, pair)	1
10	1507720	(Backrest tube lumbar long to foldable push handles, pair)	1
11	1432083	FESTEKIT FOR RYGGBÅND CHAMPION KÜSCHALL	1
12	1439279	SKRUER TIL RYGGRØR COMPACT	1
13	1529799	PLASTHÅNDTAK FOR REG AV BEKENFORL KJØREHÅNDTAK	1

## (Backrest stabilization bar)



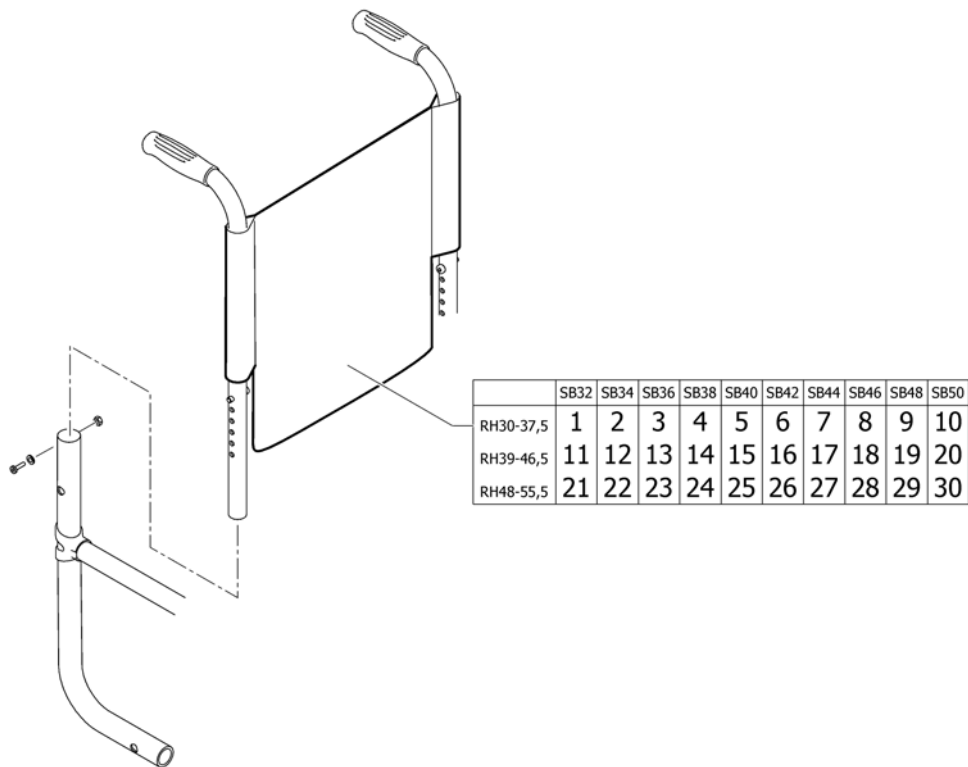
1	1517978	AVSTIVERBØYLE SB32 RYGGR ØR KPL	1
2	1517979	AVSTIVERBØYLE SB34 RYGGR ØR KPL	1
3	1517980	AVSTIVERBØYLE RYGG SB36 M/FESTE KUSCHALL	1
4	1517981	(Stabilizing bar complete SB38 for backrest tubes Ø20)	1
5	1517982	AVSTIVERBØYLE RYGG SB40T M/FESTE KUSCHALL COMPAKT	1
6	1517983	AVSTIVERBØYLE RYGG SB42T M/FESTE KUSCHALL COMPAKT	1
7	1517984	(Stabilizing bar complete SB44 for backrest tubes Ø20)	1
8	1517985	AVSTIVERBØYLE RYGG SB46T M/FESTE KUSCHALL COMPAKT	1
9	1517986	AVSTIVERBØYLE RYGG SB48 M/FESTE KUSCHALL	1
10	1517987	AVSTIVERBØYLE RYGG SB50 M/FESTE KUSCHALL	1
11	1517988	AVSTIVERBØYLE SB32 RYGGR KPL	1
12	1517989	AVSTIVERBØYLE SB34 RYGGR KPL	1
13	1517990	AVSTIVERBØYLE RYGG SB36 M/FESTE HREG HANDTAK	1
14	1517991	AVSTIVERBØYLE RYGG SB38 m/FESTE HREG HANDTAK	1
15	1517992	(Stabilizing bar complete SB40 for backrest tubes Ø25)	1
16	1517993	(Stabilizing bar complete SB42 for backrest tubes Ø25)	1
17	1517994	(Stabilizing bar complete SB44 for backrest tubes Ø25)	1
18	1517995	(Stabilizing bar complete SB46 for backrest tubes Ø25)	1
19	1517996	(Stabilizing bar complete SB48 for backrest tubes Ø25)	1
20	1517997	(Stabilizing bar complete SB50 for backrest tubes Ø25)	1
21	1517998	(Stabilizing bar SB32)	1
22	1517999	(Stabilizing bar SB34)	1
23	1518000	(Stabilizing bar SB36)	1
24	1518001	(Stabilizing bar SB38)	1
25	1518002	(Stabilizing bar SB40)	1
26	1518003	(Stabilizing bar SB42)	1
27	1518004	(Stabilizing bar SB44)	1
28	1518005	(Stabilizing bar SB46)	1
29	1518006	(Stabilizing bar SB48)	1
30	1518007	(Stabilizing bar SB50)	1
31	1518009	(Fixation kit to stabilizing bar, right, for backrest tubes Ø20)	1

**(Backrest stabilization bar)**

---

32	1518088	(Fixation kit to stabilizing bar, right, for backrest tubes Ø25)	1
33	1518008	(Fixation kit to stabilizing bar, left, for backrest tubes Ø20)	1
34	1518010	(Fixation kit to stabilizing bar, left, for backrest tubes Ø25)	1

**(Back cover, standard)**



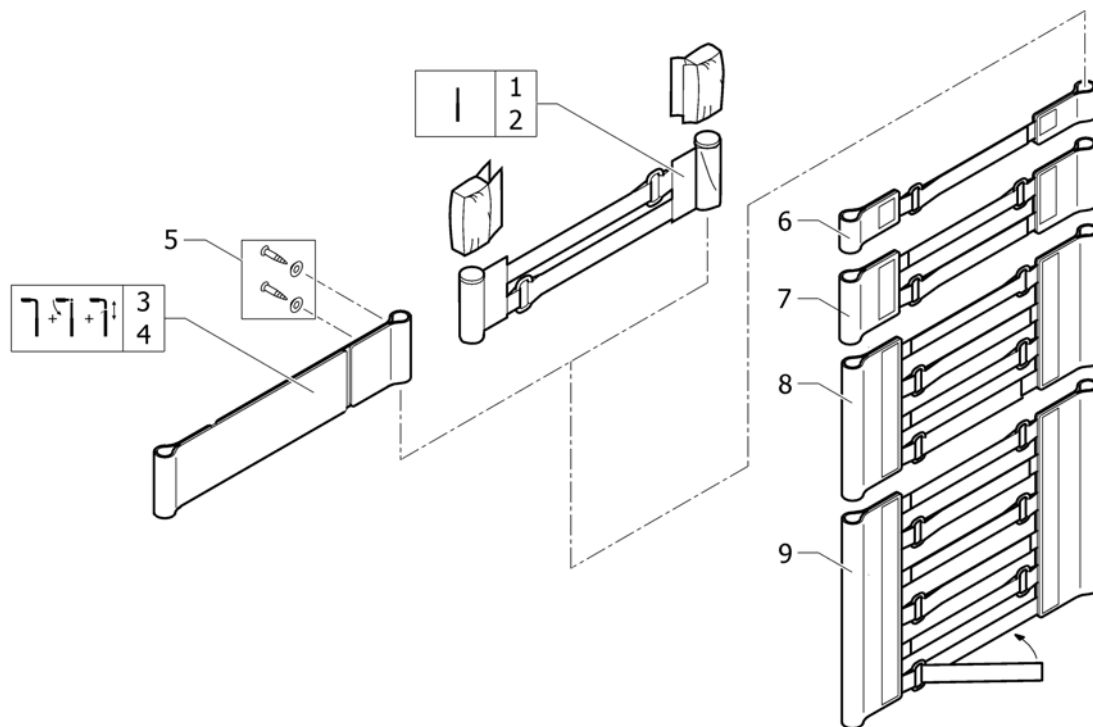
1	1517552	(Backrest cover SB32 short) <i>Replaces 1438180</i>	1
2	1517553	(Backrest cover SB34 short) <i>Replaces 1438181</i>	1
3	1517554	(Backrest cover SB36 short) <i>Replaces 1438182</i>	1
4	1517555	(Backrest cover SB38 short) <i>Replaces 1438183</i>	1
5	1517556	(Backrest cover SB40 short) <i>Replaces 1438184</i>	1
6	1517557	(Backrest cover SB42 short) <i>Replaces 1438185</i>	1
7	1517558	(Backrest cover SB44 short) <i>Replaces 1438186</i>	1
8	1517559	(Backrest cover SB46 short) <i>Replaces 1438187</i>	1
9	1517560	(Backrest cover SB48 short) <i>Replaces 1438188</i>	1
10	1517561	(Backrest cover SB50 short) <i>Replaces 1438189</i>	1
11	1517562	(Backrest cover SB32 medium) <i>Replaces 1438418</i>	1
12	1517563	(Backrest cover SB34 medium) <i>Replaces 1438419</i>	1
13	1517564	(Backrest cover SB36 medium) <i>Replaces 1438420</i>	1
14	1517565	(Backrest cover SB38 medium) <i>Replaces 1438421</i>	1
15	1517566	(Backrest cover SB40 medium) <i>Replaces 1438422</i>	1
16	1517567	(Backrest cover SB42 medium) <i>Replaces 1438423</i>	1
17	1517568	(Backrest cover SB44 medium) <i>Replaces 1438424</i>	1
18	1517569	(Backrest cover SB46 medium) <i>Replaces 1438425</i>	1

**(Back cover, standard)**

---

19	1517570	(Backrest cover SB48 medium) <i>Replaces 1438426</i>	1
20	1517571	(Backrest cover SB50 medium) <i>Replaces 1438427</i>	1
21	1517572	(Backrest cover SB32 long) <i>Replaces 1438190</i>	1
22	1517573	(Backrest cover SB34 long) <i>Replaces 1438191</i>	1
23	1517574	(Backrest cover SB36 long) <i>Replaces 1438192</i>	1
24	1517575	(Backrest cover SB38 long) <i>Replaces 1438193</i>	1
25	1517576	(Backrest cover SB40 long) <i>Replaces 1438194</i>	1
26	1517577	(Backrest cover SB42 long) <i>Replaces 1438195</i>	1
27	1517578	(Backrest cover SB44 long) <i>Replaces 1438196</i>	1
28	1517579	(Backrest cover SB46 long) <i>Replaces 1438197</i>	1
29	1517580	(Backrest cover SB48 long) <i>Replaces 1438198</i>	1
30	1517581	(Backrest cover SB50 long) <i>Replaces 1438199</i>	1

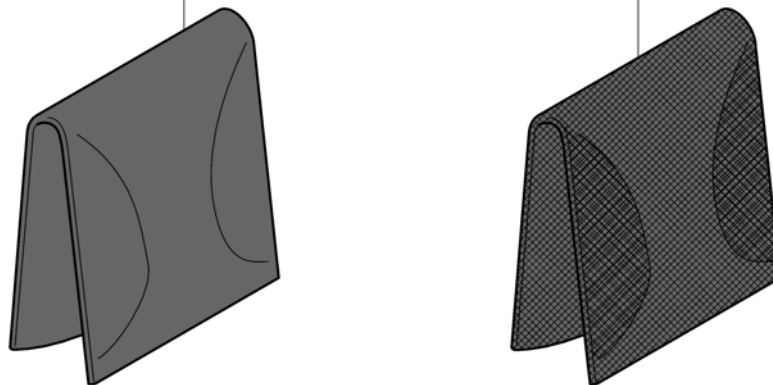
**(Bands to adjustable backrest)**



1	1513172	VELCROBÅND ENDESTYKKE 5 CM <i>Replaces 1416975</i>	1
2	1513173	VELCROBÅND ENDESTYKKE 10 CM <i>Replaces 1416974</i>	1
3	1513170	VELCROREM 2-DELT 5 CM PAR <i>Replaces 709.1009</i>	1
4	1513171	VELCROBÅND TOPP 10 CM 2-DELT ALLE 2008-> <i>Replaces 709.1018</i>	1
5	1432083	FESTEKIT FOR RYGGBÅND CHAMPION KÜSCHALL	1
6	1513167	VELCROBÅND JUSTERBART M 1 STROPP K4 2008-MOD <i>Replaces 1439291</i>	1
7	1513168	VELCROBÅND JUSTERBART M 2 STROPP COMPACT-2004M <i>Replaces 707.1088</i>	1
8	1513169	VELCROBÅND JUSTERBART M 4 STROPP KUSCHALL <i>Replaces 707.1087</i>	1
9	1517520	VELCRODEL 6 BÅND <i>Replaces 707.1075</i>	1

Standard	SB32-34	SB36-38	SB40-42	SB44-46	SB48-50
RH30-37,5	1	2	3	4	5
RH39-46,5	6	7	8	9	10
RH48-55,5	11	12	13	14	15

AeroBack	SB32-34	SB36-38	SB40-42	SB44-46	SB48-50
RH30-37,5	16	17	18	19	20
RH39-46,5	21	22	23	24	25
RH48-55,5	26	27	28	29	30



1	1517522	RYGGTREKK O DRAG KORT SB32-34 <i>Replaces 1438161</i>	1
2	1517523	(Cover to adjustable backrest SB36-38 short) <i>Replaces 1438163</i>	1
3	1517524	RYGGTREKK SB40-42 RH30-37,5 KUSCHALL <i>Replaces 1438165</i>	1
4	1517525	RYGGTREKK SB44-46 KORT TIL VELCRO RYGG <i>Replaces 1438167</i>	1
5	1517526	RYGGTREKK SB48-50 KORT TIL VELCRO RYGG <i>Replaces 1438169</i>	1
6	1517527	(Cover to adjustable backrest SB32-34 medium) <i>Replaces 1438378</i>	1
7	1517528	RYGGTREKK SB36-38 MEDIUM TIL VELCRO RYGG <i>Replaces 1438380</i>	1
8	1517529	RYGGTREKK SB40-42 MEDIUM VELCRO RYGG KUSCHALL <i>Replaces 1438382</i>	1
9	1517530	RYGGTREKK SB44-46 MEDIUM VELCRO RYGG KUSCHALL <i>Replaces 1438384</i>	1
10	1517531	RYGGTREKK SB48-50 MEDIUM VELCRO RYGG <i>Replaces 1438386</i>	1
11	1517532	RYGGTREKK SB32-34 REG RYGG LANG <i>Replaces 1438171</i>	1
12	1517533	RYGGTREKK SB36-38 LONG VELCRO RYGG <i>Replaces 1438173</i>	1
13	1517534	RYGGTREKK SB40-42 LANG TIL VELCRO RYGG <i>Replaces 1438175</i>	1
14	1517535	RYGGTRYKK SB44-46 LANG TIL VELCRO RYGG <i>Replaces 1438177</i>	1
15	1517536	RYGGTREKK SB48-50 REG RYGG LANG <i>Replaces 1438179</i>	1
16	1517537	RYGGTREKK SB32-34 REG RYGG KORT AERO <i>Replaces 1438389</i>	1
17	1517538	RYGGTREKK SB36-38 REG RYGG KORT AERO <i>Replaces 1438391</i>	1
18	1517539	RYGGTREKK SB40-42 REG RYGG KORT AERO <i>Replaces 1438393</i>	1

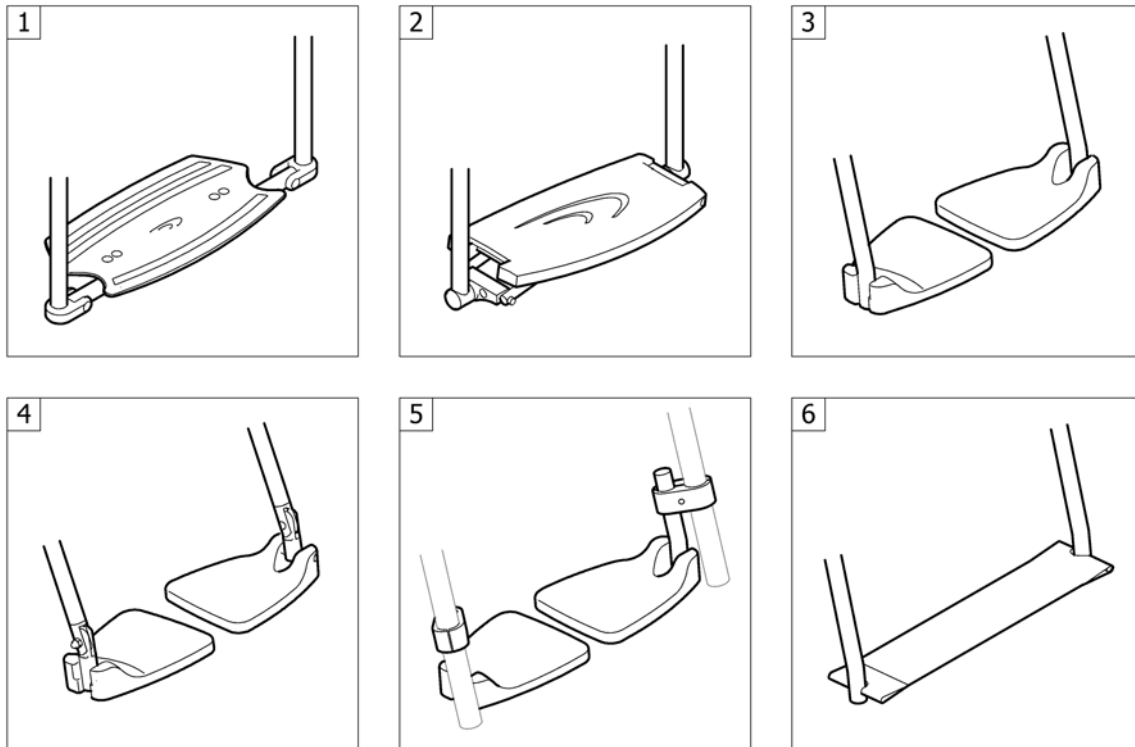
**(Cover to adjustable backrest)**

---

19	1517540	RYGGTREKK SB44-46 REG RYGG KORT AERO <i>Replaces 1438395</i>	1
20	1517541	RYGGTREKK AERO SB48-50 MED CO UL <i>Replaces 1438397</i>	1
21	1517542	RYGGTREKK SB32-34 REG RYGG MEDIUM AERO <i>Replaces 1438399</i>	1
22	1517543	RYGGTREKK AERO SB36-38 MED CO UL <i>Replaces 1438401</i>	1
23	1517544	RYGGTREKK AERO SB40-42 MED CO UL <i>Replaces 1438403</i>	1
24	1517545	RYGGTREKK AERO SB46 MED CO UL <i>Replaces 1438405</i>	1
25	1517546	RYGGTREKK AERO SB48-50 MEDIUM CO UL <i>Replaces 1438407</i>	1
26	1517547	RYGGTREKK SB32-34 REG RYGG LANG AERO <i>Replaces 1438409</i>	1
27	1517548	RYGGTREKK AERO SB38 LANG CO UL <i>Replaces 1438411</i>	1
28	1517549	RYGGTREKK AERO SB40-42 LANG CU CO <i>Replaces 1438413</i>	1
29	1517550	RYGGTREKK SB44-46 REG RYGG LANG AERO <i>Replaces 1438415</i>	1
30	1517551	RYGGTREKK AERO SB50 LANG CO UL <i>Replaces 1438417</i>	1

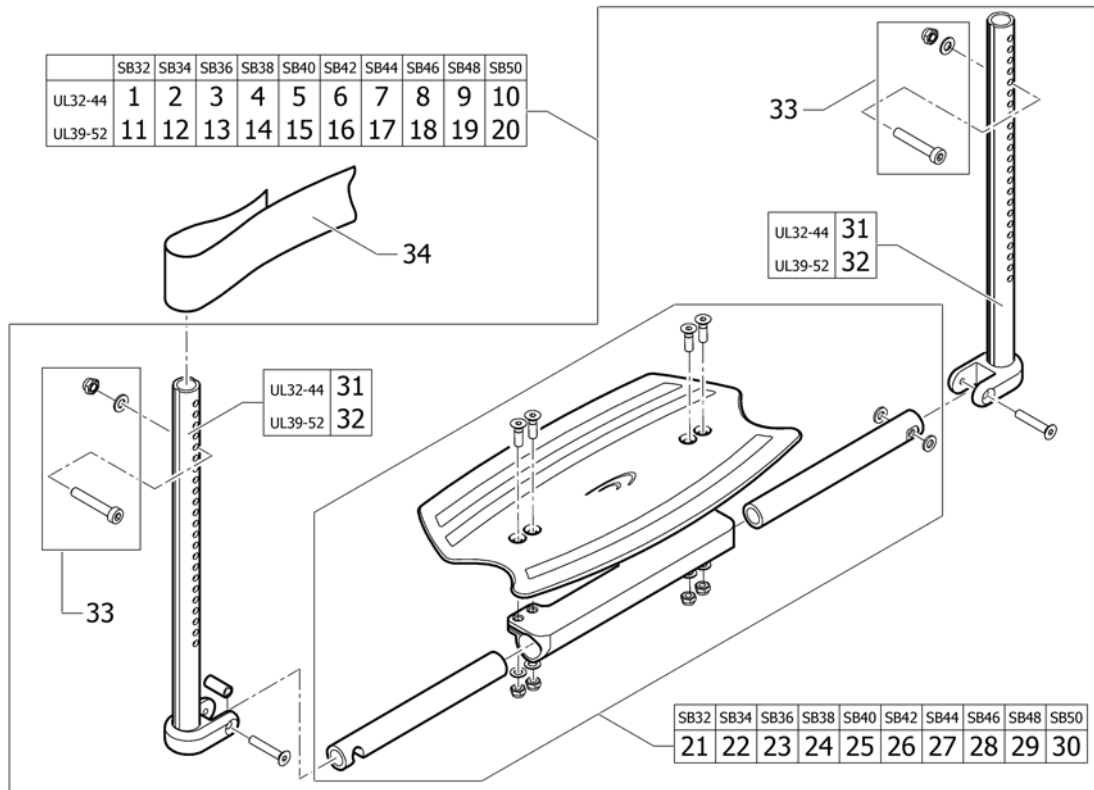


**(FOOTREST)**



1	-	(Footrest 1-piece)	01.01.2004 → 31.12.2012	1
2	-	(Footrest 1-piece, foldable)	01.01.2004 → 31.12.2012	1
3	-	(Footrest 2-piece)	01.01.2004 → 31.12.2012	1
4	-	(Footrest 2-piece, angle adjustable)	01.01.2004 → 31.12.2012	1
5	-	(Footrest high mounted)	01.07.2008 → 31.12.2012	1
6	-	(Footband)	01.01.2004 → 31.12.2012	1

**(Footrest 1-piece)**



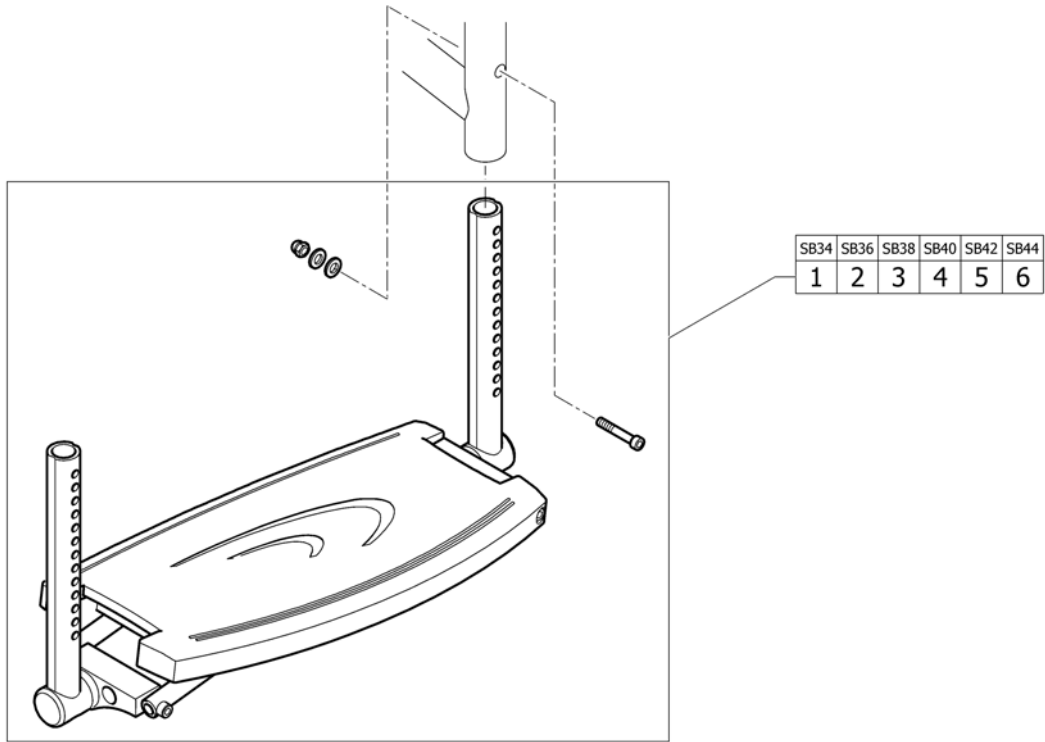
1	1493772	FOTPLATE HEL SB 32 KORT KOMPL M TELESKOPRØR	1
2	1493773	FOTPLATE HEL SB 32 KORT KOMPL M TELESKOPRØR	1
3	1493774	FOTBRETT HEL SB 36 KPL COMPACT	1
4	1493775	FOTBRETT HEL SB 38 KPL COMPACT	1
5	1493776	FOTBRETT HEL SB 40 KPL COMPACT	1
6	1493777	(Footrest 1-piece complete short SB42)	1
7	1493778	(Footrest 1-piece complete short SB44)	1
8	1493779	FOTBRETT HEL SB 46 KPL COMPACT	1
9	1493780	(Footrest 1-piece complete short SB48)	1
10	1493781	(Footrest 1-piece complete short SB50)	1
11	1493782	FOTPLATE HEL SB 32 LANG KOMPL M TELESKOPRØR	1
12	1493783	FOTPLATE MP SB34 HEL ABD KID KIDCOMP	1
13	1493784	FOTPLATE SB 36 VREG HEL FELLBAR UL	1
14	1493785	FOTPLATE SB 38 VREG HEL FELLBAR UL	1
15	1493786	FOTPLATE SB 40 VREG HEL FELLBAR UL	1
16	1493787	FOTPLATE SB 42 VREG HEL FELLBAR UL	1
17	1493788	FOTPLATE SB 44 VREG HEL FELLBAR U	1
18	1493789	FOTPLATE SB 46 VREG HEL FELLBAR UL	1
19	1493790	FOTPLATE SB 48 VREG HEL FELLBAR UL	1
20	1493791	FOTPLATE SB 50 VREG HEL FELLBAR UL	1
21	1493758	(Footrest 1-piece SB32)	1
22	1493759	(Footrest 1-piece SB34)	1
23	1493760	(Footrest 1-piece SB36)	1
24	1493761	(Footrest 1-piece SB38)	1
25	1493762	(Footrest 1-piece SB40)	1
26	1493763	(Footrest 1-piece SB42)	1
27	1493764	(Footrest 1-piece SB44)	1
28	1493765	(Footrest 1-piece SB46)	1
29	1493766	(Footrest 1-piece SB48)	1
30	1493767	(Footrest 1-piece SB50)	1
31	1493756	TELESKOPRØRSETT KORT FOR FOTPL.HEL OPPSVING.04->	1

**(Footrest 1-piece)**

---

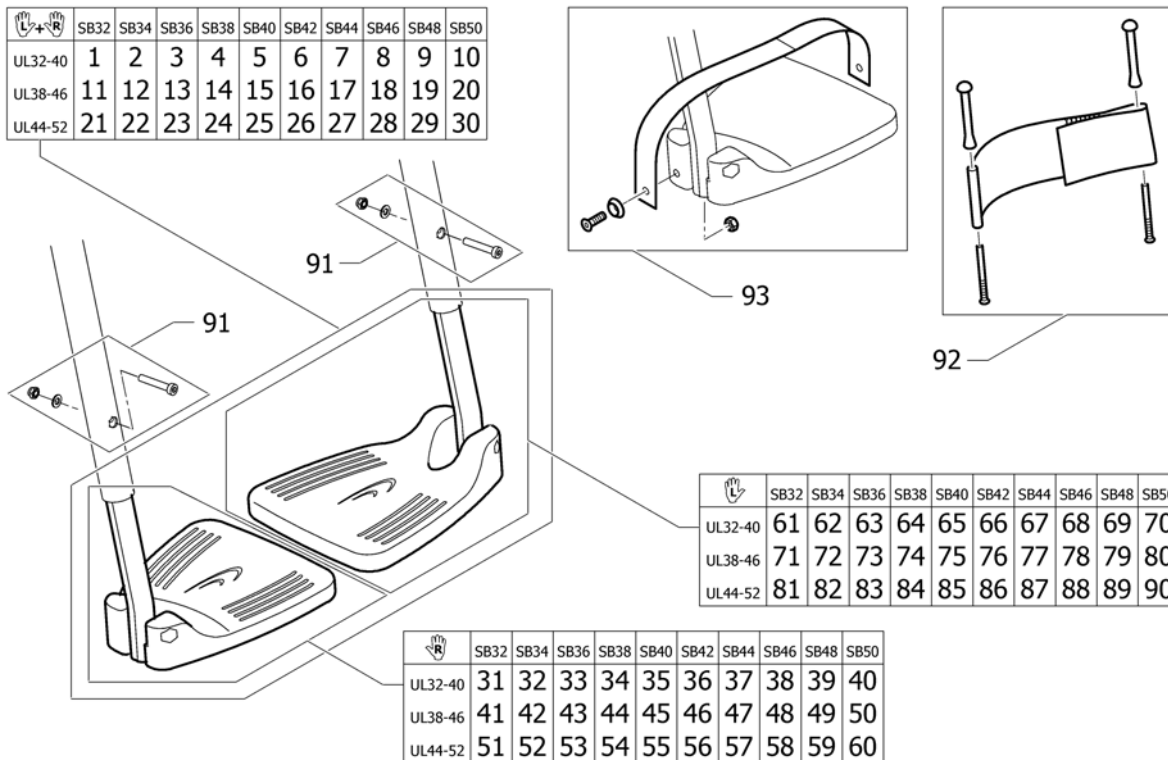
32	1493757	TELESKOPRØRSETT LANG FOR FOTPL.HEL OPPSVING.04->	1
33	1437989	FESTE KIT FOTPLATER UL	1
34	1517817	LEGGBÅND SORT KUSCHALL	1

**(Footrest 1-piece, foldable)**



1	1488733	FOTPLATE HEL OPPSVINGBAR SB 34 ULCPAC	1
2	1488734	FOTPLATE HEL OPPSVINGBAR SB 36 ULCPAC	1
3	1488735	FOTPLATE HEL OPPSVINGBAR SB 38 ULCPAC	1
4	1451756	FOTPLATE OPPFELLBAR SB40 ULTRA LIGHT	1
5	1451757	FOTPLATE OPPFELLBAR SB42 ULTRA LIGHT	1
6	1451758	FOTPLATE OPPFELLBAR SB44 ULTRA LIGHT	1

**(Footrest 2-piece)**



1	1437990	FOTPLATE SB32 KORT PAR CO UL	1
2	1437991	FOTPLATE SB34 KORT PAR CO UL	1
3	1437992	FOTPLATE SB36 KORT PAR CO UL	1
4	1437993	FOTPLATE SB38 KORT PAR CO UL	1
5	1437994	FOTPLATE SB40 KORT PAR CO UL	1
6	1437995	FOTPLATE SB42 KORT PAR CO UL	1
7	1437996	FOTPLATE SB 44 DELT PAR KORT ULTRA LIGHT 04	1
8	1437997	FOTPLATE SB46 KORT PAR CO UL	1
9	1437998	FOTPLATE SB48 KORT PAR CO UL	1
10	1437999	FOTPLATE SB 50 DELT PAR KORT ULTRA LIGHT 04	1
11	1438831	FOTPLATE SB32 MED PAR CO UL	1
12	1438832	FOTPLATE SB34 MED PAR CO UL	1
13	1438833	FOTPLATE SB 36 DELT PAR MEDIUM ULTRA LIGHT	1
14	1438834	FOTPLATE SB 38 DELT PAR MEDIUM ULTRA LIGHT	1
15	1438835	FOTPLATE SB 40 DELT PAR MEDIUM ULTRA LIGHT	1
16	1438836	FOTPLATE SB 42 DELT PAR MEDIUM ULTRA LIGHT	1
17	1438837	FOTPLATE SB 44 DELT PAR MEDIUM ULTRA LIGHT04	1
18	1438838	FOTPLATE SB 46 DELT PAR MEDIUM ULTRA LIGHT	1
19	1438839	FOTPLATE SB48 MED PAR CO UL	1
20	1438840	FOTPLATE SB 50 DELT PAR MEDIUM ULTRA LIGHT	1
21	1438000	FOTPLATE SB32 FELLBAR INNERRØR LANG PAR	1
22	1438001	FOTPLATE SB34 FELLBAR INNERRØR LANG PAR	1
23	1438002	FOTPLATE SB36 FELLBAR INNERRØR LANG PAR	1
24	1438003	FOTPLATE SB38 FELLBAR INNERRØR LANG PAR	1
25	1438004	FOTPLATE SB40 FELLBAR INNERRØR LANG PAR	1
26	1438005	FOTPLATE SB42 FELLBAR INNERRØR LANG PAR	1
27	1438006	FOTPLATE SB44 FELLBAR INNERRØR LANG PAR	1
28	1438007	FOTPLATE SB46 FELLBAR INNERRØR LANG PAR	1
29	1438008	FOTPLATE SB48 FELLBAR INNERRØR LANG PAR	1
30	1438009	FOTPLATE SB50 FELLBAR INNERRØR LANG PAR	1
31	1438010	FOTPLATE SB32 KORT HØ CO UL	1

**(Footrest 2-piece)**

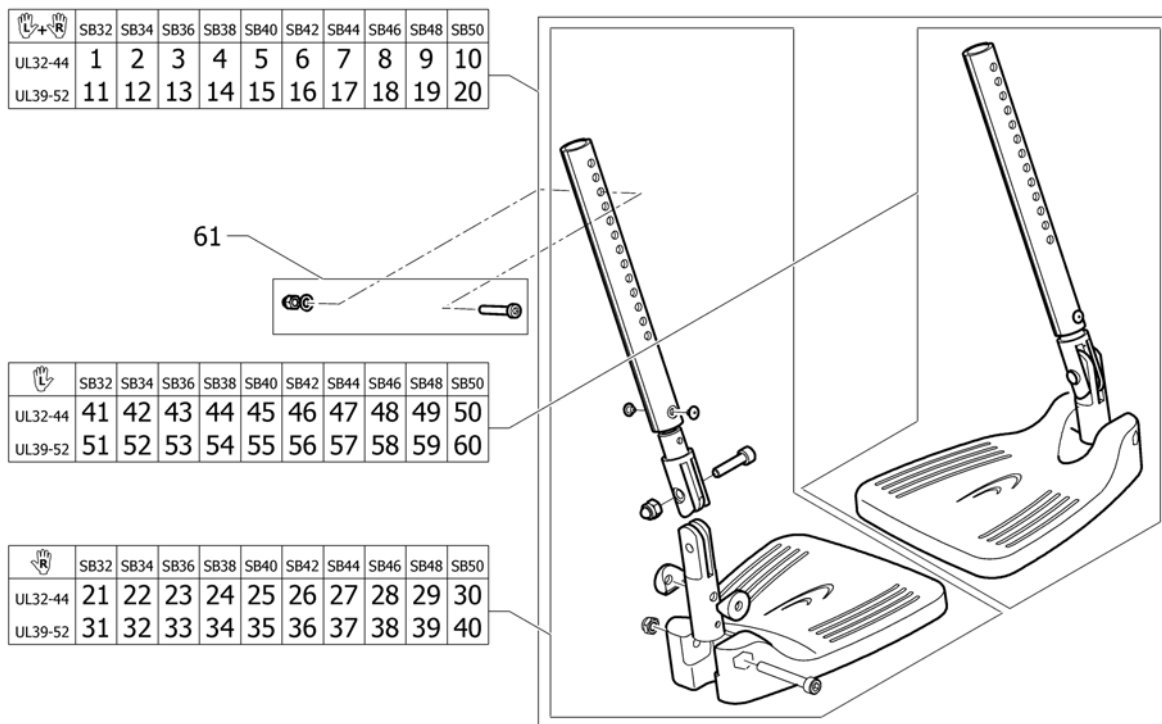
32	1438012	FOTPLATE SB34 KORT HØ CO UL	1
33	1438014	FOTPLATE SB36 FELLBAR INNERRØR KORT HØ CO UL	1
34	1438016	FOTPLATE SB38 FELLBAR INNERRØR KORT HØ CO UL	1
35	1438018	FOTPLATE SB40 FELLBAR INNERRØR KORT HØ CO UL	1
36	1438020	FOTPLATE SB42 FELLBAR INNERRØR KORT HØ CO UL	1
37	1438022	FOTPLATE SB44 FELLBAR INNERRØR KORT HØ CO UL	1
38	1438024	FOTPLATE SB46 FELLBAR INNERRØR KORT HØ CO UL	1
39	1438026	FOTPLATE SB48 FELLBAR INNERRØR KORT HØ CO UL	1
40	1438028	FOTPLATE SB50 FELLBAR INNERRØR KORT HØ CO UL	1
41	1438841	FOTPLATE SB32 MED HØ CO UL	1
42	1438843	FOTPLATE SB34 MED HØ CO UL	1
43	1438845	FOTPLATE SB36 MED HØ CO UL	1
44	1438847	FOTPLATE SB 38 HØYRE ULTRA LIGHT	1
45	1438849	FOTPLATE SB 40 HØYRE ULTRA LIGHT	1
46	1438851	FOTPLATE SB42 MED HØ CO UL	1
47	1438853	FOTPLATE SB44 MED HØ CO UL	1
48	1438855	FOTPLATE SB46 MED HØ CO UL	1
49	1438857	FOTPLATE SB48 MED HØ CO UL	1
50	1438859	FOTPLATE SB50 MED HØ CO UL	1
51	1438030	FOTPLATE SB32 LANG HØ CO UL	1
52	1438032	FOTPLATE SB34 LANG HØ CO UL	1
53	1438034	FOTPLATE SB36 FELLBAR INNERRØR LANG HØ CO UL	1
54	1438036	FOTPLATE SB38 FELLBAR INNERRØR LANG HØ CO UL	1
55	1438038	FOTPLATE SB40 FELLBAR INNERRØR LANG HØ CO UL	1
56	1438040	FOTPLATE SB42 FELLBAR INNERRØR LANG HØ CO UL	1
57	1438042	FOTPLATE SB44 FELLBAR INNERRØR LANG HØ CO UL	1
58	1438044	FOTPLATE SB46 FELLBAR INNERRØR LANG HØ CO UL	1
59	1438046	FOTPLATE SB48 FELLBAR INNERRØR LANG HØ CO UL	1
60	1438048	FOTPLATE SB50 FELLBAR INNERRØR LANG HØ CO UL	1
61	1438011	FOTPLATE SB32 KORT VE CO UL	1
62	1438013	FOTPLATE SB34 KORT VE CO UL	1
63	1438015	FOTPLATE SB36 FELLBAR INNERRØR KORT VE CO UL	1
64	1438017	FOTPLATE SB38 FELLBAR INNERRØR KORT VE CO UL	1
65	1438019	FOTPLATE SB40 FELLBAR INNERRØR KORT VE CO UL	1
66	1438021	FOTPLATE SB42 FELLBAR INNERRØR KORT VE CO UL	1
67	1438023	FOTPLATE SB44 FELLBAR INNERRØR KORT VE CO UL	1
68	1438025	FOTPLATE SB46 FELLBAR INNERRØR KORT VE CO UL	1
69	1438027	FOTPLATE SB48 FELLBAR INNERRØR KORT VE CO UL	1
70	1438029	FOTPLATE SB50 FELLBAR INNERRØR KORT VE CO UL	1
71	1438842	FOTPLATE SB32 MED VE CO UL	1
72	1438844	FOTPLATE SB34 MED VE CO UL	1
73	1438846	FOTPLATE SB36 MED VE CO UL	1
74	1438848	FOTPLATE SB 38 VENSTRE ULTRA LIGHT	1
75	1438850	FOTPLATE SB40 MED VE CO UL	1
76	1438852	FOTPLATE SB42 MED VE CO UL	1
77	1438854	FOTPLATE SB44 MED VE CO UL	1
78	1438856	FOTPLATE SB46 MED VE CO UL	1
79	1438858	FOTPLATE SB48 MED VE CO UL	1
80	1438860	FOTPLATE SB50 MED VE CO UL	1
81	1438031	FOTPLATE SB32 LANG VE CO UL	1
82	1438033	FOTPLATE SB34 LANG VE CO UL	1
83	1438035	FOTPLATE SB36 FELLBAR INNERRØR LANG VE CO UL	1
84	1438037	FOTPLATE SB38 FELLBAR INNERRØR LANG VE CO UL	1
85	1438039	FOTPLATE SB40 FELLBAR INNERRØR LANG VE CO UL	1
86	1438041	FOTPLATE SB42 FELLBAR INNERRØR LANG VE CO UL	1

**(Footrest 2-piece)**

---

87	1438043	FOTPLATE SB44 FELLBAR INNERRØR LANG VE CO UL	1
88	1438045	FOTPLATE SB46 FELLBAR INNERRØR LANG VE CO UL	1
89	1438047	FOTPLATE SB48 FELLBAR INNERRØR LANG VE CO UL	1
90	1438049	FOTPLATE SB50 FELLBAR INNERRØR LANG VE CO UL	1
91	1437989	FESTE KIT FOTPLATER UL	1
92	1437834	HÆLBÅND PAR. M/SKRUER KUSCHALL LIFE	1
93	1438143	INSTEP STRAP UL/CO	1

### (Footrest 2-piece, angle adjustable)



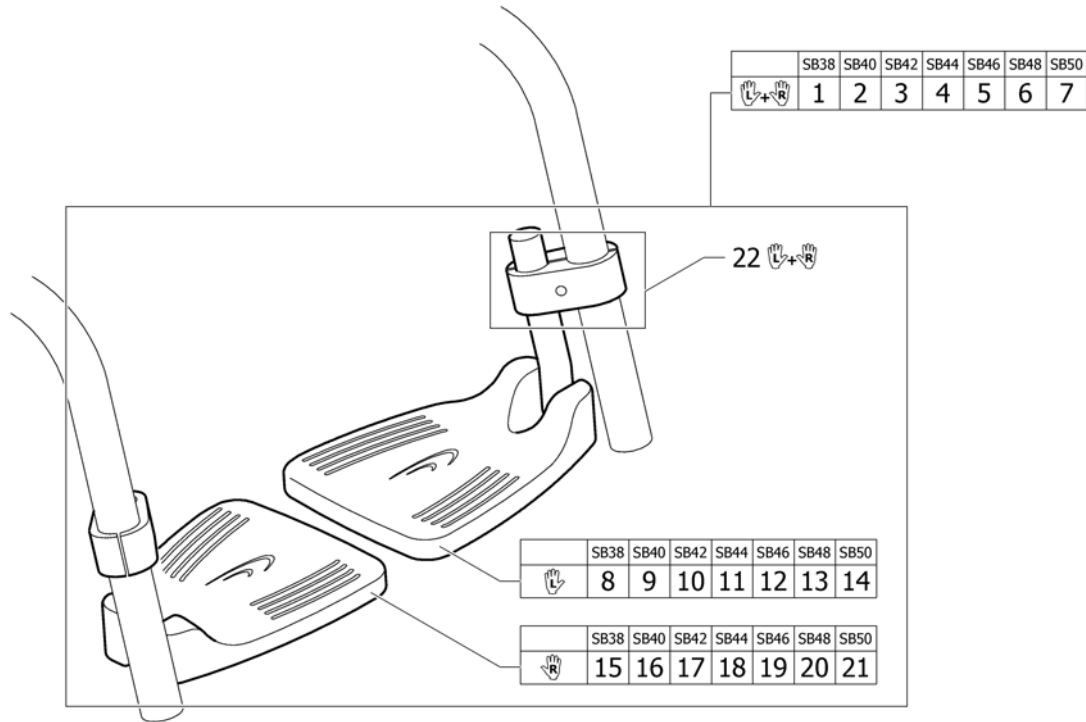
1	1438050	FOTPLATE SB32 VREG KORT PAR CO UL	1
2	1438051	FOTPLATE SB34 VREG KORT PAR CO UL	1
3	1438052	FOTPLATE SB36 VREG KORT PAR CO UL	1
4	1438053	FOTPLATE SB38 VREG KORT PAR CO UL	1
5	1438054	FOTPLATE SB40 VREG KORT PAR CO UL	1
6	1438055	FOTPLATE SB42 VREG FELLB INNERRØR KORT PAR UL CO	1
7	1438056	FOTPLATE SB44 VREG KORT PAR CO UL	1
8	1438057	FOTPLATE SB46 VREG KORT PAR CO UL	1
9	1438058	FOTPLATE SB48 VREG KORT PAR CO UL	1
10	1438059	FOTPLATE SB50 VREG KORT PAR CO UL	1
11	1438060	FOTPLATE SB32 VREG LANG PAR CO UL	1
12	1438061	FOTPLATE SB34 VREG LANG PAR CO UL	1
13	1438062	FOTPLATE SB36 VREG LANG PAR CO UL	1
14	1438063	FOTPLATE SB38 VREG LANG PAR CO UL	1
15	1438064	FOTPLATE SB40 VREG LANG PAR CO UL	1
16	1438065	FOTPLATE SB42 VREG FELLB INNERRØR LANG PAR CO UL	1
17	1438066	FOTPLATE SB44 VREG LANG PAR CO UL	1
18	1438067	FOTPLATE SB46 VREG LANG PAR CO UL	1
19	1438068	FOTPLATE SB48 VREG LANG PAR CO UL	1
20	1438069	FOTPLATE VREG KPL SB50 LANG COMPACT U.LIGHT	1
21	1438070	FOTPLATE SB32 VREG KORT HØ CO UL	1
22	1438072	FOTPLATE SB34 VREG KORT HØ CO UL	1
23	1438074	FOTPLATE SB36 VREG KORT HØ CO UL	1
24	1438076	FOTPLATE SB38 VREG KORT HØ CO UL	1
25	1438078	FOTPLATE SB40 VREG FELLB INNERRØR KORT HØ CO UL	1
26	1438080	FOTPLATE SB42 VREG KORT HØ CO UL	1
27	1438082	FOTPLATE SB44 VREG KORT HØ CO UL	1
28	1438084	FOTPLATE SB46 VREG KORT HØ CO UL	1
29	1438086	FOTPLATE SB48 VREG KORT HØ CO UL	1
30	1438088	FOTPLATE SB50 VREG KORT HØ CO UL	1
31	1438090	FOTPLATE SB32 VREG LANG HØ CO UL	1



**(Footrest 2-piece, angle adjustable)**

32	1438092	FOTPLATE SB34 VREG LANG HØ CO UL	1
33	1438094	FOTPLATE SB36 VREG FELLB INNERRØR LANG HØ CO UL	1
34	1438096	FOTPLATE SB38 VREG FELLB INNERRØR LANG HØ CO UL	1
35	1438098	FOTPLATE SB40 VREG FELLB INNERRØR LANG HØ CO UL	1
36	1438100	FOTPLATE SB42 VREG FELLB INNERRØR LANG HØ CO UL	1
37	1438102	FOTPLATE SB44 VREG FELLB INNERRØR LANG HØ CO UL	1
38	1438104	FOTPLATE SB46 VREG FELLB INNERRØR LANG HØ CO UL	1
39	1438106	FOTPLATE SB48 VREG FELLB INNERRØR LANG HØ CO UL	1
40	1438108	FOTPLATE SB50 VREG FELLB INNERRØR LANG HØ CO UL	1
41	1438071	FOTPLATE SB32 VREG KORT VE CO UL	1
42	1438073	FOTPLATE SB34 VREG KORT VE CO UL	1
43	1438075	FOTPLATE SB36 VREG KORT VE CO UL	1
44	1438077	FOTPLATE SB38 VREG KORT VE CO UL	1
45	1438079	FOTPLATE SB40 VREG FELLB INNERRØR KORT VE CO UL	1
46	1438081	FOTPLATE SB42 VREG KORT VE CO UL	1
47	1438083	FOTPLATE SB44 VREG KORT VE CO UL	1
48	1438085	FOTPLATE SB46 VREG KORT VE CO UL	1
49	1438087	FOTPLATE SB48 VREG KORT VE CO UL	1
50	1438089	FOTPLATE SB50 VREG KORT VE CO UL	1
51	1438091	FOTPLATE SB32 VREG LANG VE CO UL	1
52	1438093	FOTPLATE SB34 VREG LANG VE CO UL	1
53	1438095	FOTPLATE SB36 VREG FELLB INNERRØR LANG VE CO UL	1
54	1438097	FOTPLATE SB38 VREG FELLB INNERRØR LANG VE CO UL	1
55	1438099	FOTPLATE SB40 VREG FELLB INNERRØR LANG VE CO UL	1
56	1438101	FOTPLATE SB42 VREG FELLB INNERRØR LANG VE CO UL	1
57	1438103	FOTPLATE SB44 VREG FELLB INNERRØR LANG VE CO UL	1
58	1438105	FOTPLATE SB46 VREG FELLB INNERRØR LANG VE CO UL	1
59	1438107	FOTPLATE SB48 VREG FELLB INNERRØR LANG VE CO UL	1
60	1438109	FOTPLATE SB50 VREG FELLB INNERRØR LANG VE CO UL	1
61	1437989	FESTE KIT FOTPLATER UL	1

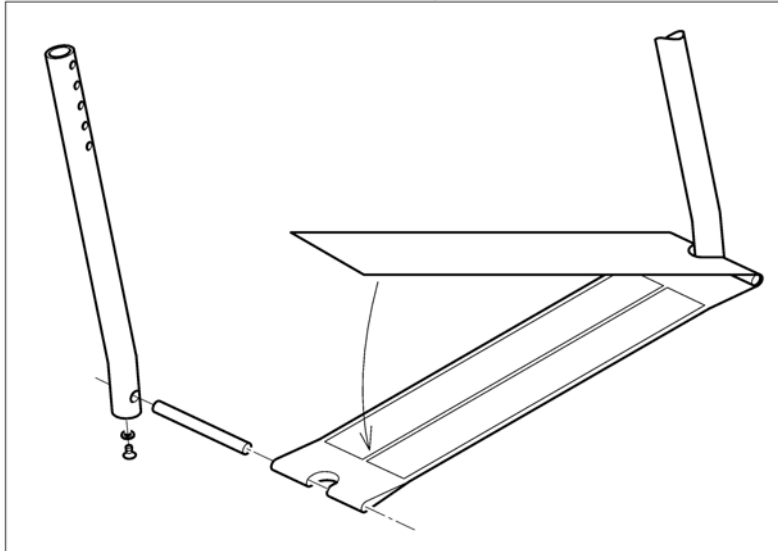
**(Footrest high mounted)**



1	1518152	(Footrest 2-pc. high mounted SB38 complete,pair)	1
2	1518153	(Footrest 2-pc. high mounted SB40 complete,pair)	1
3	1518154	(Footrest 2-pc. high mounted SB42 complete,pair)	1
4	1518155	FOTPLATE HØYT MONT PAR KPL SB44 COMPACT	1
5	1518156	(Footrest 2-pc. high mounted SB46 complete,pair)	1
6	1518157	(Footrest 2-pc. high mounted SB48 complete,pair)	1
7	1518158	(Footrest 2-pc. high mounted SB50 complete,pair)	1
8	1518174	FOTPLATE HØYT MONT VE SB38 COMPACT	1
9	1518175	FOTPLATE HØYT MONT VE SB40 COMPACT	1
10	1518176	(Footrest 2-pc. high mounted SB42 left)	1
11	1518177	(Footrest 2-pc. high mounted SB44 left)	1
12	1518236	(Footrest 2-pc. high mounted SB46 left)	1
13	1518282	(Footrest 2-pc. high mounted SB48 left)	1
14	1518283	(Footrest 2-pc. high mounted SB50 left)	1
15	1518159	FOTPLATE HØYT MONT HØ SB38 COMPACT	1
16	1518160	FOTPLATE HØYT MONT HØ SB40 COMPACT	1
17	1518161	(Footrest 2-pc. high mounted SB42 right)	1
18	1518162	(Footrest 2-pc. high mounted SB44 right)	1
19	1518163	(Footrest 2-pc. high mounted SB46 right)	1
20	1518164	(Footrest 2-pc. high mounted SB48 right)	1
21	1518165	(Footrest 2-pc. high mounted SB50 right)	1
22	1518284	FESTESETT FOR HØYT MONT FOTBRETT PAR CO <i>Replaces 1439132</i>	1

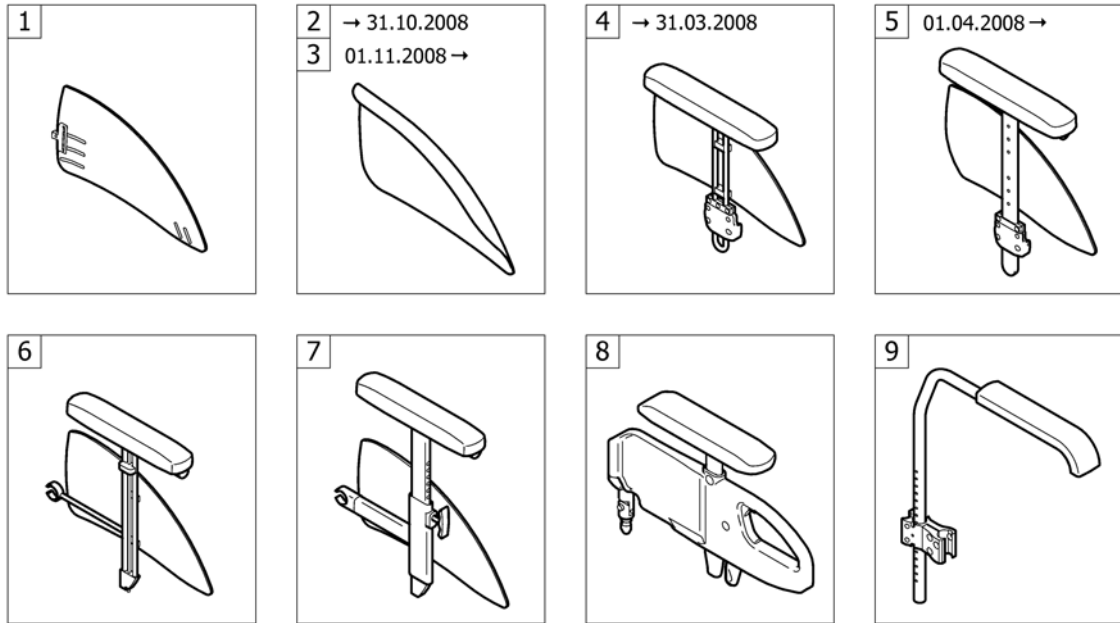
**(Footband)**

	SB32-34	SB36-38	SB40-42	SB44-46	SB48-50
UL32-40	1	2	3	4	5
UL38-46	6	7	8	9	10
UL44-52	11	12	13	14	15



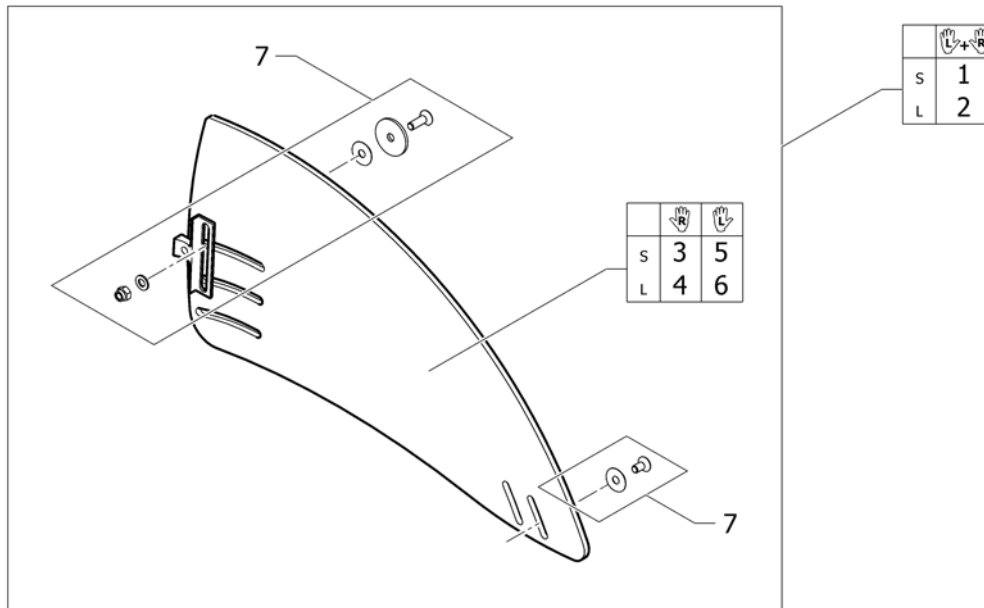
1	1438127	\$FOTBÄND KPL SB32-34 KOR UL/CO	1
2	1438128	\$FOTBÄND KPL SB36-38 KOR UL/CO	1
3	1438129	FOTBÄND KPL SB40-42 KORT UL/CO	1
4	1438130	\$FOTBÄND KPL SB44-46 KOR UL/CO	1
5	1438131	\$FOTBÄND KPL SB48-50 KOR UL/CO	1
6	1439461	\$FOTBÄND KPL SB32-34 MED UL/CO	1
7	1439462	\$FOTBÄND KPL SB36-38 MED UL/CO	1
8	1439463	\$FOTBÄND KPL SB40-42 MED UL/CO	1
9	1439464	\$FOTBÄND KPL SB44-46 MED UL/CO	1
10	1439465	\$FOTBÄND KPL SB48-50 MED UL/CO	1
11	1438122	(Footstrap complete SB32-34 long)	1
12	1438123	(Footstrap complete SB36-38 long)	1
13	1438124	\$FOTBÄND KPL SB40-42 LAN UL/CO	1
14	1438125	FOTBÄND KPL SB44-46 LANG UL/CO	1
15	1438126	\$FOTBÄND KPL SB48-50 LAN UL/CO	1

# (SIDERESTS)



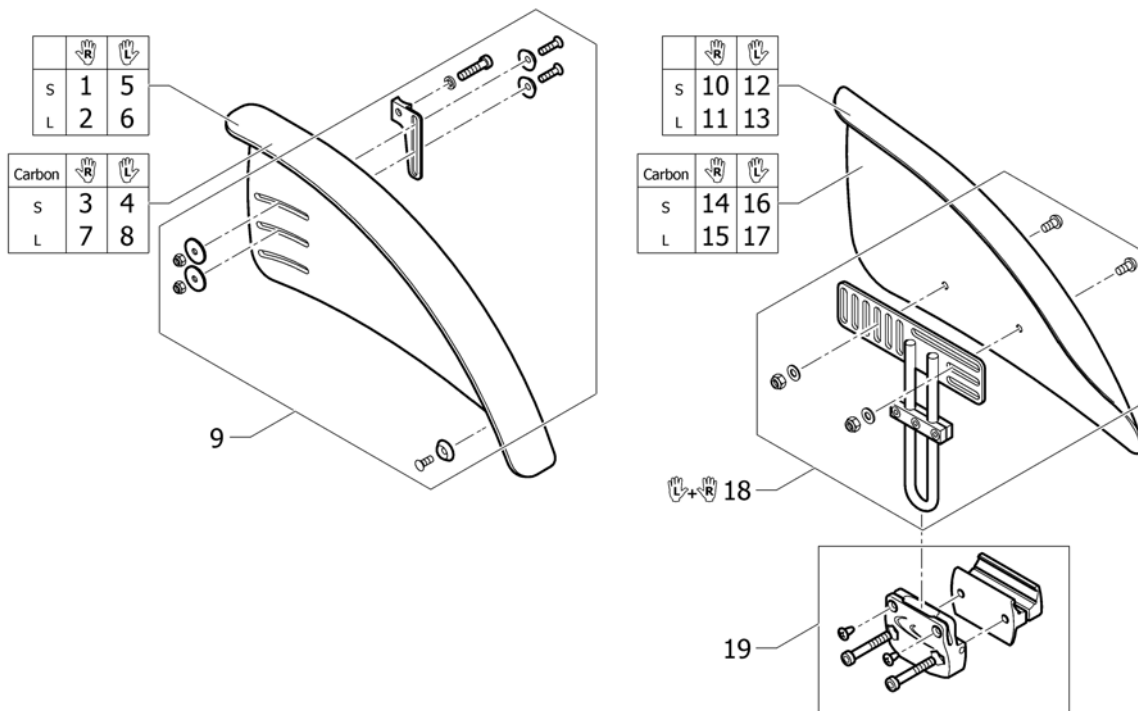
1	-	(Clothes-guards)	01.01.2004 → 31.12.2012	1
3	-	(Mudguards 01.11.2008=>)	01.11.2008 → 31.12.2012	1
5	-	(Siderest height adjustable 01.04.2008=>)	01.04.2008 → 31.12.2012	1
7	-	(Siderest fold back, height adjustable)	01.01.2004 → 31.12.2012	1
8	-	(Siderest with desk function)	01.02.2007 → 31.12.2012	1
9	-	(Tubular armrest)	01.01.2004 → 31.12.2012	1

**(Clothes-guards)**

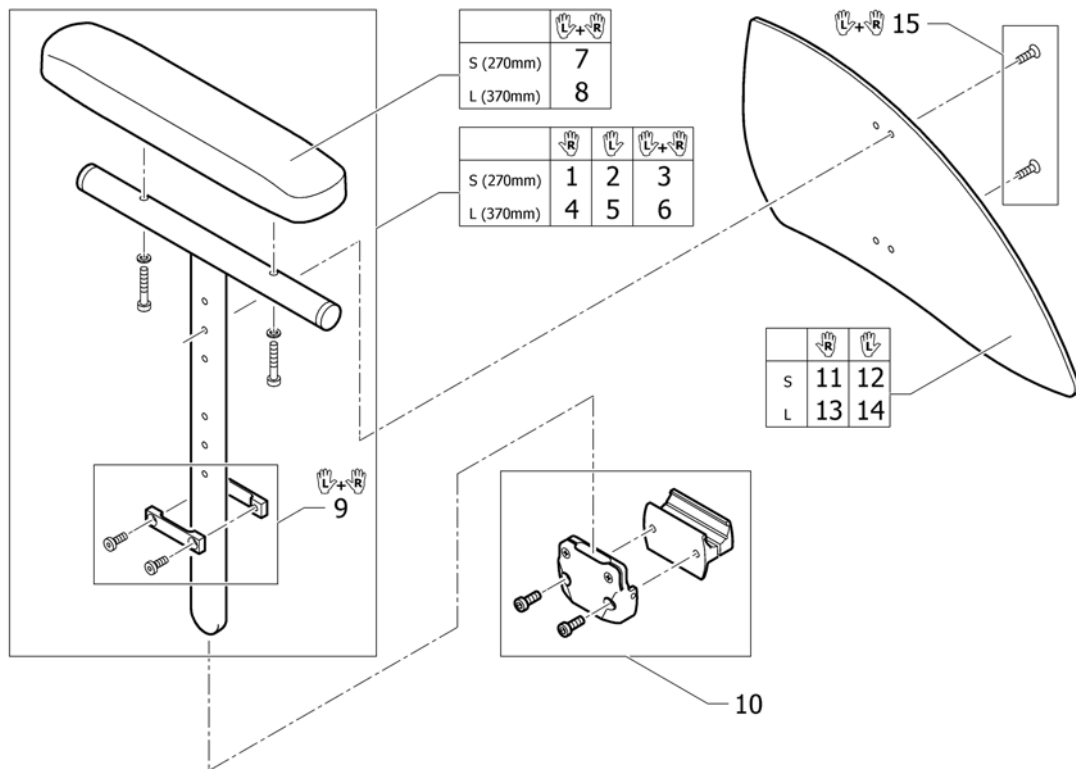


1	1517825	(Clothes-guards S with fixation kit, pair)	1
2	1517826	(Clothes-guards L with fixation kit, pair)	1
3	1517828	KLESBESKYTTER HREG LITEN HØ CO UL 01.04.2008-> <i>Replaces 1432471</i>	1
4	1517830	KLESBESKYTTER STOR HØ CO UL 2008-> <i>Replaces 1432473</i>	1
5	1517827	KLESBESKYTTER HREG LITEN VE CO UL 01.04.2008-> <i>Replaces 1432470</i>	1
6	1517829	KLESBESKYTTER STOR VE CO UL 2008-> <i>Replaces 1432472</i>	1
7	1438144	FESTE KLESBESKYTTER PAR CO UL	1

**(Mudguards 01.11.2008=>)**

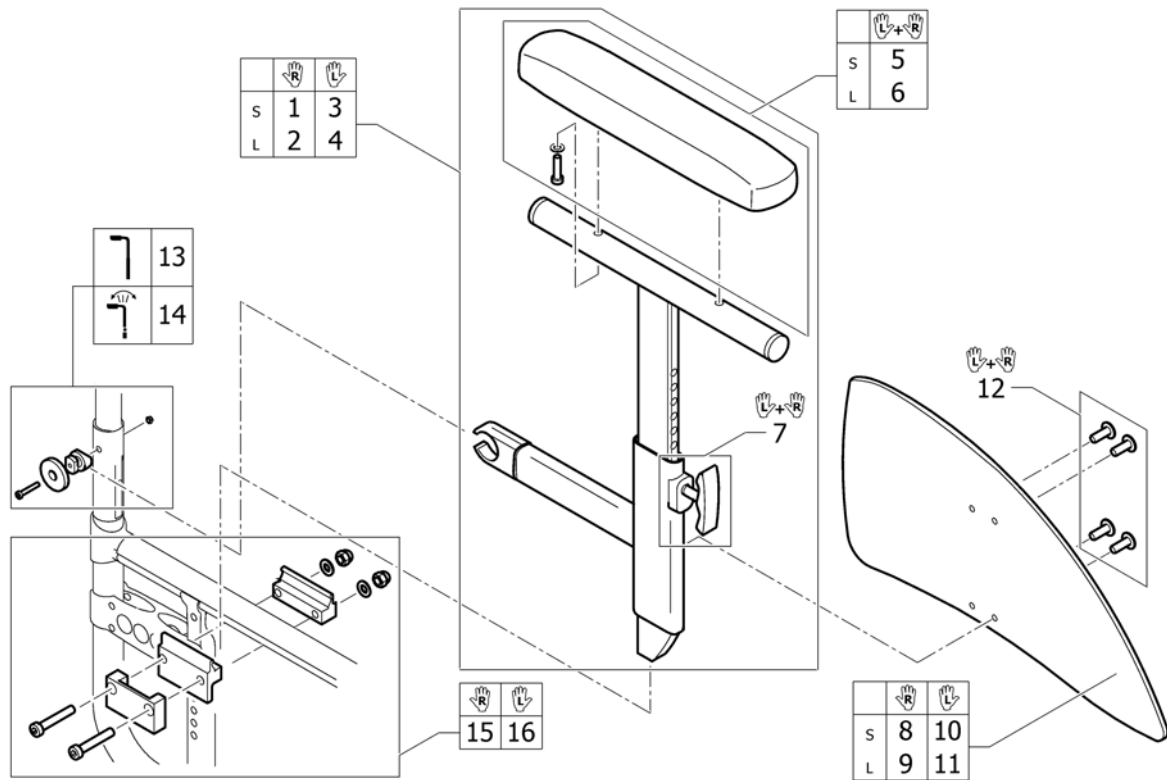


1	1432475	HJULSKJERM FAST HØ LITEN CO UL		1
2	1432477	HJULSKJERM FAST HØ STOR CO UL		1
3	1529782	HJULSKJERM FAST KARBON S HORT HØ UL CO <i>Replaces 1439160</i>		1
4	1529781	HJULSKJERM FAST KARBON S HORT VE UL CO <i>Replaces 1439161</i>		1
5	1432474	HJULSKJERM FAST VE LITEN CO UL		1
6	1432476	HJULSKJERM FAST VE STOR CO UL		1
7	1529784	(Mudguard Carbon L long right) <i>Replaces 1439162</i>		1
8	1529783	(Mudguard Carbon L long left) <i>Replaces 1439163</i>		1
9	1438144	FESTE KLESBESKYTTER PAR CO UL		1
10	1438807	HJULSKJERM HREG LITEN HØ CO UL AVTAGBAR		1
11	1438809	HJULSKJERM HREG STOR HØ CO UL AVTAGBAR		1
12	1438808	HJULSKJERM HREG LITEN VE CO UL AVTAGBAR		1
13	1438810	HJULSKJERM HREG STOR VE CO UL AVTAGBAR		1
14	1510276	HJULSKJERM KARBON VE MEDIUM KUSCHALL	01.11.2008 →	1
15	1510278	HJULSKJERM KARBON HØ LARGE KUSCHALL	01.11.2008 →	1
16	1510275	HJULSKJERM KARBON HØ MEDIUM KUSCHALL	01.11.2008 →	1
17	1510277	HJULSKJERM KARBON VE LARGE KUSCHALL	01.11.2008 →	1
18	1438149	FESTE HJULSSKJERM HREG PAR CO UL		1
19	1439301	HOLDER ARMLEN/HJULSKJERM TIL RAMME CO/UL		2

**(Siderest height adjustable 01.04.2008=>)**

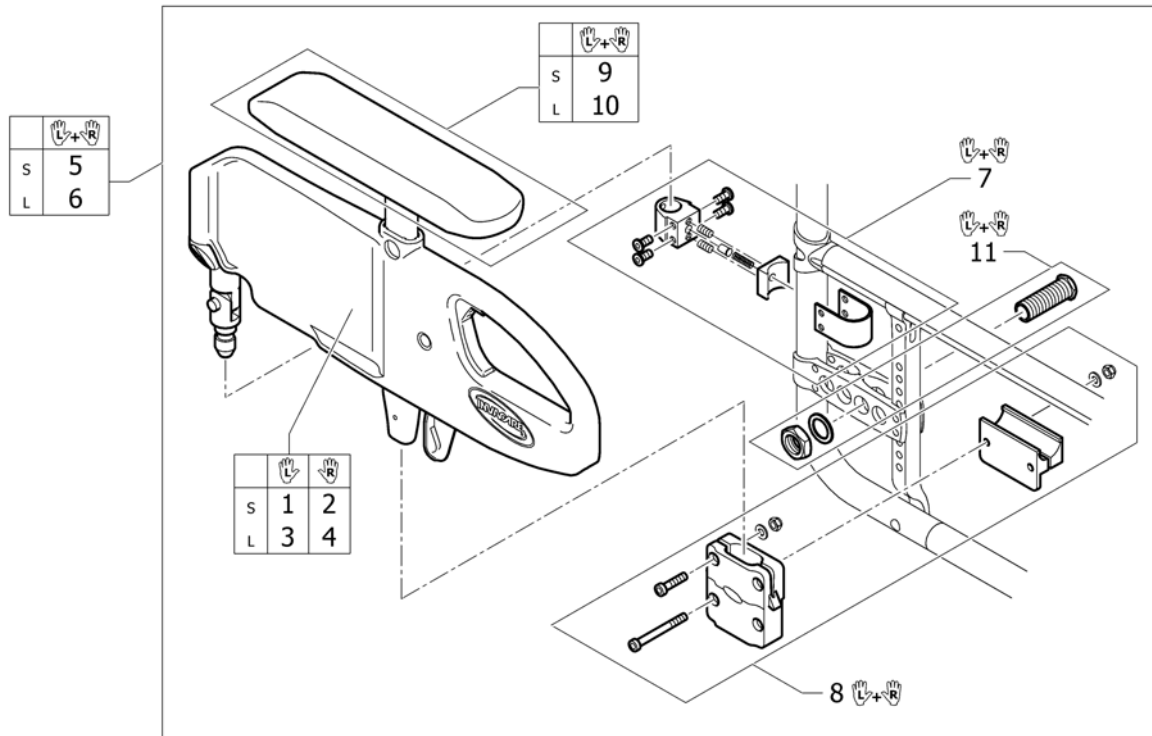
1	1517677	ARMLÉN KORT HREG HØ CO UL 1.4.8->	1
2	1517678	ARMLÉN KORT HREG VE CO UL	1
3	1517682	ARMLÉNE REG KORT PAR	1
4	1517679	ARMLÉN HREG HØ LANGT POLSTER CO UL FU 1.4.8->	1
5	1517680	ARMLÉN HREG VE LANGT POLSTER CO UL FU 1.4.8->	1
6	1517683	ARMLÉN LONG HREG PAR	1
7	1439497	ARMLÉNSPOLSTER KORT 27 C CO UL 2004 -> PAR	1
8	1439498	ARMLÉNSPOLSTER LANG CO UL 2004-> PAR 36CM.	1
9	1517681	FESTE FOR HREG ARMLÉN PAR	1
10	1439301	HOLDER ARMLÉN/HJULSKJERM TIL RAMME CO/UL	2
11	1517690	KLESBESKYTTER S HØ FOR ARMLÉN CO UL 2008->	1
12	1517689	KLESBESKYTTER S VE FOR ARMLÉN CO UL 2008->	1
13	1517692	KLESBESKYTTER L HØ FOR ARMLÉN CO UL 2008->	1
14	1517691	KLESBESKYTTER L VE FOR ARMLÉN CO UL 2008->	1
15	1517693	FESTE KLESBESKYTTER FOR ARMLÉN CO UL 2008->	1

**(Siderest fold back, height adjustable)**



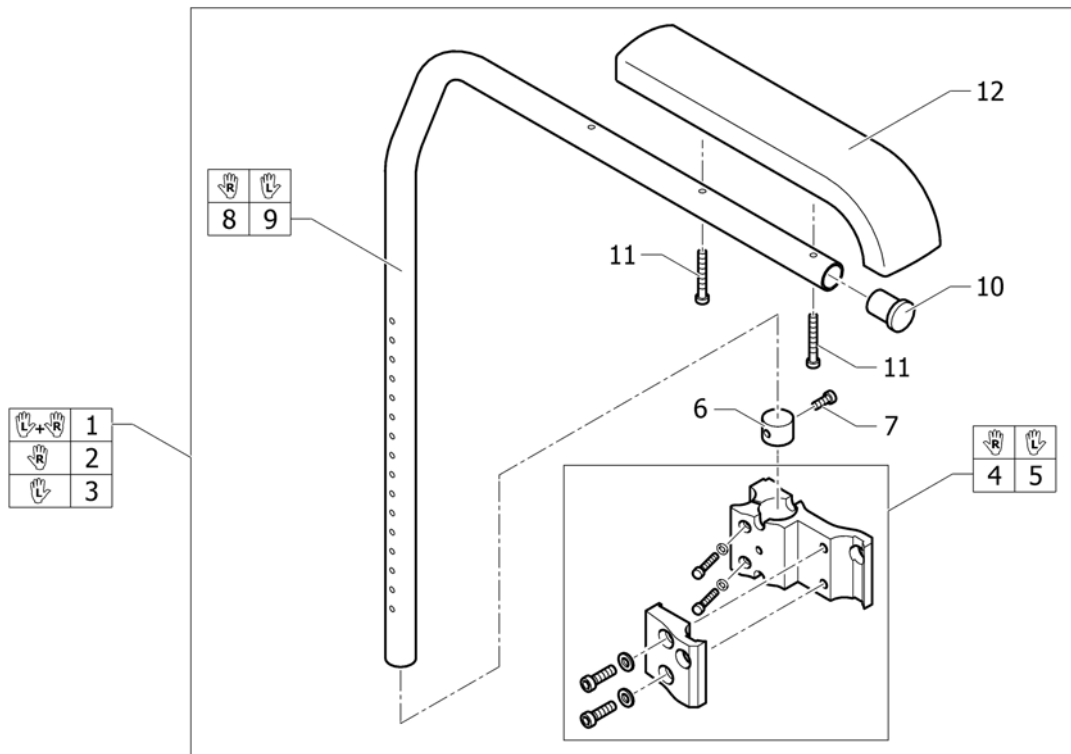
1	1439577	ARMLENE HREG OPPFELL KOR T HØ CO UL	1
2	1439579	ARMLEN HREG OPPFELL LANG HØ CO KID U/FESTE/KLESB	1
3	1439578	ARMLENE HREG OPPFELL KOR T VE CO UL	1
4	1439580	ARMLEN HREG OPPFELL LANG VE CO KID U/FESTE/KLESBE	1
5	1439497	ARMLENSPOLSTER KORT 27 C CO UL 2004 -> PAR	1
6	1439498	ARMLENSPOLSTER LANG CO UL 2004-> PAR 36CM.	1
7	1439581	LÅS ARMLEN KPL UL/CO	1
8	1517690	KLESBESKYTTER S HØ FOR ARMLEN CO UL 2008-> <i>Replaces 1438732</i>	1
9	1517692	KLESBESKYTTER L HØ FOR ARMLEN CO UL 2008-> <i>Replaces 1438734</i>	1
10	1517689	KLESBESKYTTER S VE FOR ARMLEN CO UL 2008-> <i>Replaces 1438731</i>	1
11	1517691	KLESBESKYTTER L VE FOR ARMLEN CO UL 2008-> <i>Replaces 1438733</i>	1
12	1445274	FESTE KIT FOR KLESBE.PAR TER TIL OPPFELL HØYDEREG	1
13	1438159	FESTE KIT ARMLEN BAK.PAR OPPFELLBAR CO UL 2004->	1
14	1439490	ARMLEN OPPFELLB FESTE FOR RYGG VREG UL/CO	1
15	1439488	FESTE KIT ARMLEN FORAN HØ OPPFELLBAR CO UL 2004	1
16	1439489	FESTE KIT ARMLEN FORAN VE OPPFELLGAR CO UL 2004	1





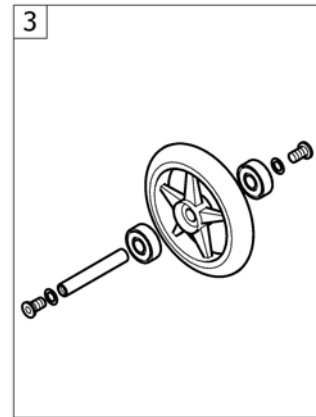
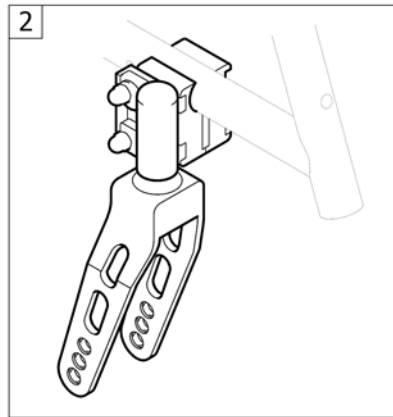
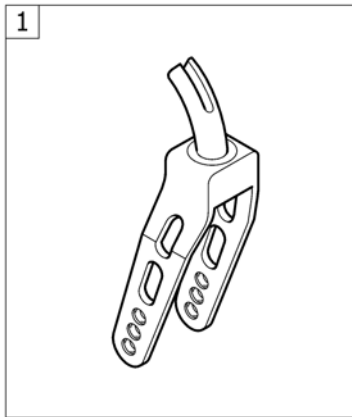
1	1506096	(Siderest with desk function, flip-back, height adj., removable, short, left)	1
2	1506095	(Siderest with desk function, flip-back, height adj., removable, short, right)	1
3	1506098	(Siderest with desk function, flip-back, height adj., removable, long left)	1
4	1506097	(Siderest with desk function, flip-back, height adj., removable, long, right)	1
5	1506099	ARMLÉN KORT HREG FLIP UP PAR.KPL.M FESTE KUSCHALL	1
6	1506100	SIDESTØTTE M ARMLÉN ULTRA LIGHT PAR	1
7	1506101	(Fixation kit backrest for siderest with desc function, pair)	1
8	1506102	(Fixation kit frame for siderest with desc function, pair)	1
9	1521532	(Armpad short incl. Screws, pair)	1
10	1521533	(Armpad long incl. Screws, pair)	1
11	1527082	(Adaptersleeve set 1° for siderest with desc function, pair)	1

## (Tubular armrest)



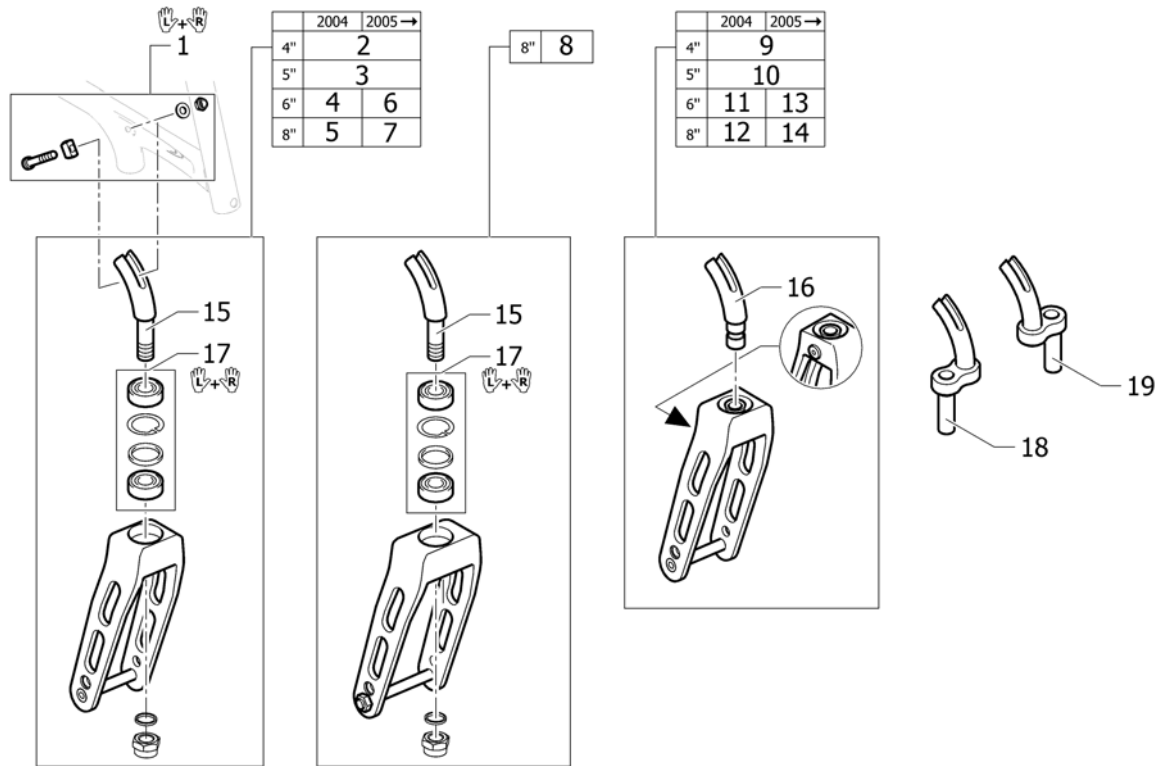
1	913.1004	ARMLÉN SPORT PADS KPL ULCPAC KID NEOCHEMI PAR	1
2	913.1157.000	ARMLÉN KPL ST POLSTER HØ KÜSCHALL	1
3	913.1158.000	(Tubular armrest left, complete, with standard cushion)	1
4	913.1103	ARMLÉN FESTE HØYRE KÜSCHALL	1
5	913.1009	ARMLÉN FESTE VENSTRE KÜSCHALL	1
6	305.1063	HYLSE INNV HØYDEREG SPORTSARML KÜSCHALLE	2
7	100.1084	SKRUE SORTSARMLÉN M5X12 129	2
8	456.1516.956	ARMLÉN SRØR SPORT KORT VE ALLE KÜSCHALL	1
9	456.1517.956	ARMLÉN SRØR SPORT KORT HØ ALLE KÜSCHALL	1
10	220.1013	PLASTPROPP, SETERØR, 24MM KÜSCHALL, CP, KID	2
11	100.5091	SKRUE SYLINDER M5X35 8.8 KÜSCHALL	4
12	702.1004	ARMLÉN SPOLSTER SPORT KÜSCHALL ALLE 27cm	2

## (FRONT WHEELS)



1	-	(Front forks for flow system)	01.01.2004 → 31.12.2012	1
2	-	(Front forks for bearing blocks)	01.07.2006 → 31.12.2012	1
3	-	(Front wheels)	01.01.2004 → 31.12.2012	1

**(Front forks for flow system)**

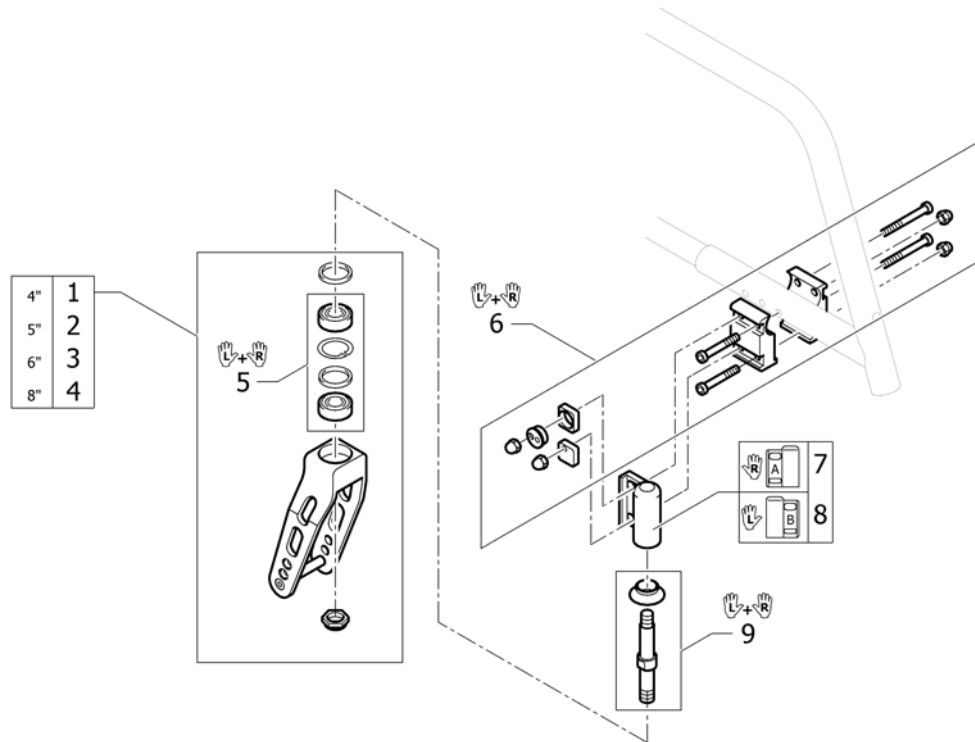


1	1438230	FESTE SVINGHJULSGAFFEL KIT LIFE 2004		1
2	1437984-0004	GAFFEL 4 CO UL SVART KOMPLETT		2
2	1437984-0400	(Fork 4" Compact/Ultra-Light, techno-anthrazit)		2
2	1437984-0401	(Fork 4" Compact/Ultra-Light, lemon)		2
2	1437984-0402	(Fork 4" Compact/Ultra-Light, apricot)		2
2	1437984-0404	(Fork 4" Compact/Ultra-Light, b-blue)		2
2	1437984-0440	(Fork 4" Compact/Ultra-Light, comet red)	01.01.2007 →	2
3	1437985-0004	GAFFEL 5 CO UL SVART KOMPLETT		2
3	1437985-0400	(Fork 5" Compact/Ultra-Light, techno-anthrazit)		2
3	1437985-0401	(Fork 5" Compact/Ultra-Light, lemon)		2
3	1437985-0402	(Fork 5" Compact/Ultra-Light, apricot)		2
3	1437985-0404	(Fork 5" Compact/Ultra-Light, b-blue)		2
3	1437985-0440	(Fork 5" Compact/Ultra-Light, comet red)	01.01.2007 →	2
6	1439573-0004	GAFFEL 6 CO UL SVART KOMPLETT FRA 2005	01.01.2005 →	2
6	1439573-0400	(Fork 6" Compact/Ultra-Light, techno-anthrazit)	01.01.2005 →	2
6	1439573-0401	(Fork 6" Compact/Ultra-Light, lemon)	01.01.2005 →	2
6	1439573-0402	(Fork 6" Compact/Ultra-Light, apricot)	01.01.2005 →	2
6	1439573-0404	(Fork 6" Compact/Ultra-Light, b-blue)	01.01.2005 →	2
6	1439573-0440	(Fork 6" Compact/Ultra-Light, comet red)	01.01.2007 →	2
7	1439574-0004	GAFFEL 8 CO UL SVART KOMPLETT FRA 2005	01.01.2005 →	2
7	1439574-0400	(Fork 8" Compact/Ultra-Light, techno-anthrazit)	01.01.2005 →	2
7	1439574-0401	(Fork 8" Compact/Ultra-Light, lemon)	01.01.2005 →	2
7	1439574-0402	(Fork 8" Compact/Ultra-Light, apricot)	01.01.2005 →	2
7	1439574-0404	(Fork 8" Compact/Ultra-Light, b-blue)	01.01.2005 →	2
7	1439574-0440	(Fork 8" Compact/Ultra-Light, comet red)	01.01.2007 →	2
8	1439529-0004	GAFFEL 8" F 7" LUFTHJUL COMPACT/ULTRALIGHT		2
9	1439482-0004	GAFFEL 4 HURTIGKOBLING UL/CO		2
9	1439482-0400	(Fork 4" Compact/Ultra-Light quick release, techno-anthrazit)		2
9	1439482-0401	(Fork 4" Compact/Ultra-Light quick release, lemon)		2
9	1439482-0402	(Fork 4" Compact/Ultra-Light quick release, apricot)		2
9	1439482-0404	(Fork 4" Compact/Ultra-Light quick release, b-blue)		2

**(Front forks for flow system)**

9	1439482-0440	(Fork 4" Compact/Ultra-Light quick release, comet red)	01.01.2007 →	2
10	1439483-0004	(Fork 5" Compact/Ultra-Light quick release, black anodized)		2
10	1439483-0400	(Fork 5" Compact/Ultra-Light quick release, techno-anthrazit)		2
10	1439483-0401	(Fork 5" Compact/Ultra-Light quick release, lemon)		2
10	1439483-0402	(Fork 5" Compact/Ultra-Light quick release, apricot)		2
10	1439483-0404	(Fork 5" Compact/Ultra-Light quick release, b-blue)		2
10	1439483-0440	(Fork 5" Compact/Ultra-Light quick release, comet red)	01.01.2007 →	2
13	1439575-0004	GAFFEL 6 HURTIGKOBLING SVART KOMPLETT FRA 2005	01.01.2005 →	2
13	1439575-0400	(Fork 6" Compact/Ultra-Light quick release, techno-anthrazit)	01.01.2005 →	2
13	1439575-0401	(Fork 6" Compact/Ultra-Light quick release, lemon)	01.01.2005 →	2
13	1439575-0402	(Fork 6" Compact/Ultra-Light quick release, apricot)	01.01.2005 →	2
13	1439575-0404	(Fork 6" Compact/Ultra-Light quick release, b-blue)	01.01.2005 →	2
13	1439575-0440	(Fork 6" Compact/Ultra-Light quick release, comet red)	01.01.2007 →	2
14	1439576-0004	GAFFEL 8 HURTIGKOBLING SVART KOMPLETT FRA 2005	01.01.2005 →	2
14	1439576-0400	(Fork 8" Compact/Ultra-Light quick release, techno-anthrazit)	01.01.2005 →	2
14	1439576-0401	(Fork 8" Compact/Ultra-Light quick release, lemon)	01.01.2005 →	2
14	1439576-0402	(Fork 8" Compact/Ultra-Light quick release, apricot)	01.01.2005 →	2
14	1439576-0404	(Fork 8" Compact/Ultra-Light quick release, b-blue)	01.01.2005 →	2
14	1439576-0440	(Fork 8" Compact/Ultra-Light quick release, comet red)	01.01.2007 →	2
15	1432422	GAFFELTAPP STANDARD COMPACT 04		2
16	1439389-0003	GAFFELFESTE HURTIGKOBLING UL/CO		2
17	1510219	KULELAGER KIT		1
18	1438754-0003	(front wheel extension right)		1
19	1438753-0003	(front wheel extension left)		1

## (Front forks for bearing blocks)



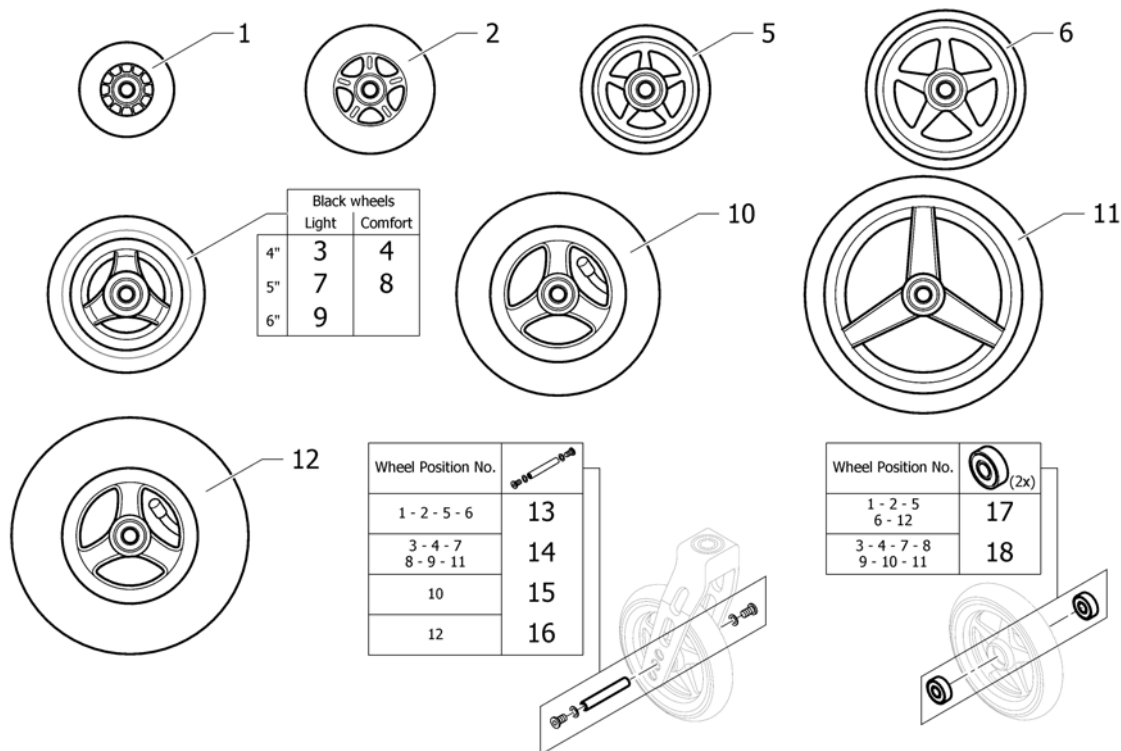
1	1495565-0004	GAFFEL 4" "BEARING BLOCKS" UL SORT		2
1	1495565-0400	(Front fork 4" to Frame ext., techno-anthrazit)		2
1	1495565-0401	(Front fork 4" to Frame ext., lemon)		2
1	1495565-0402	(Front fork 4" to Frame ext., apricot)		2
1	1495565-0404	(Front fork 5" to Frame ext., b-blue)		2
1	1495565-0440	(Front fork 4" to Frame ext., comet red)	01.01.2007 →	2
2	1495566-0004	GAFFEL 5" "BEARING BLOCKS" UL SORT		2
2	1495566-0400	(Front fork 5" to Frame ext., techno-anthrazit)		2
2	1495566-0401	(Front fork 5" to Frame ext., lemon)		2
2	1495566-0402	(Front fork 5" to Frame ext., apricot)		2
2	1495566-0404	(Front fork 5" to Frame ext., b-blue)		2
2	1495566-0440	(Front fork 5" to Frame ext., comet red)	01.01.2007 →	2
3	1495567-0004	GAFFEL 6" "BEARING BLOCKS" UL SORT		2
3	1495567-0400	(Front fork 6" to Frame ext., techno-anthrazit)		2
3	1495567-0401	(Front fork 6" to Frame ext., lemon)		2
3	1495567-0402	(Front fork 6" to Frame ext., apricot)		2
3	1495567-0404	(Front fork 6" to Frame ext., b-blue)		2
3	1495567-0440	(Front fork 6" to Frame ext., comet red)	01.01.2007 →	2
4	1495568-0004	GAFFEL 8" "BEARING BLOCKS" UL SORT		2
4	1495568-0400	(Front fork 8" to Frame ext., techno-anthrazit)		2
4	1495568-0401	(Front fork 8" to Frame ext., lemon)		2
4	1495568-0402	(Front fork 8" to Frame ext., apricot)		2
4	1495568-0404	(Front fork 8" to Frame ext., b-blue)		2
4	1495568-0440	(Front fork 8" to Frame ext., comet red)	01.01.2007 →	2
5	1510219	KULELAGER KIT		1
6	1495571	FIKSERINGS KIT FOR GAFFEL ULTRA-LIGHT		1
7	1495563-0004	GAFFEL FESTE HØ SORT UL KUSCHALL		1
7	1495563-0400	(Front fork castor right to Frame ext., techno-anthrazit)		1
7	1495563-0401	(Front fork castor right to Frame ext., lemon)		1
7	1495563-0402	(Front fork castor right to Frame ext., apricot)		1
7	1495563-0404	(Front fork castor right to Frame ext., b-blue)		1

**(Front forks for bearing blocks)**

---

7	1495563-0440	(Front fork castor right to Frame ext., comet red)	01.01.2007 →	1
8	1495564-0004	GAFFEL FESTE VE SORT UL KUSCHALL		1
8	1495564-0400	(Front fork castor left to Frame ext., techno-anthrazit)		1
8	1495564-0401	(Front fork castor left to Frame ext., lemon)		1
8	1495564-0402	(Front fork castor left to Frame ext., apricot)		1
8	1495564-0404	(Front fork castor left to Frame ext., b-blue)		1
8	1495564-0440	(Front fork castor left to Frame ext., comet red)	01.01.2007 →	1
9	1495569	GAFFELTAPP KUSCHALL		1

# (Front wheels)



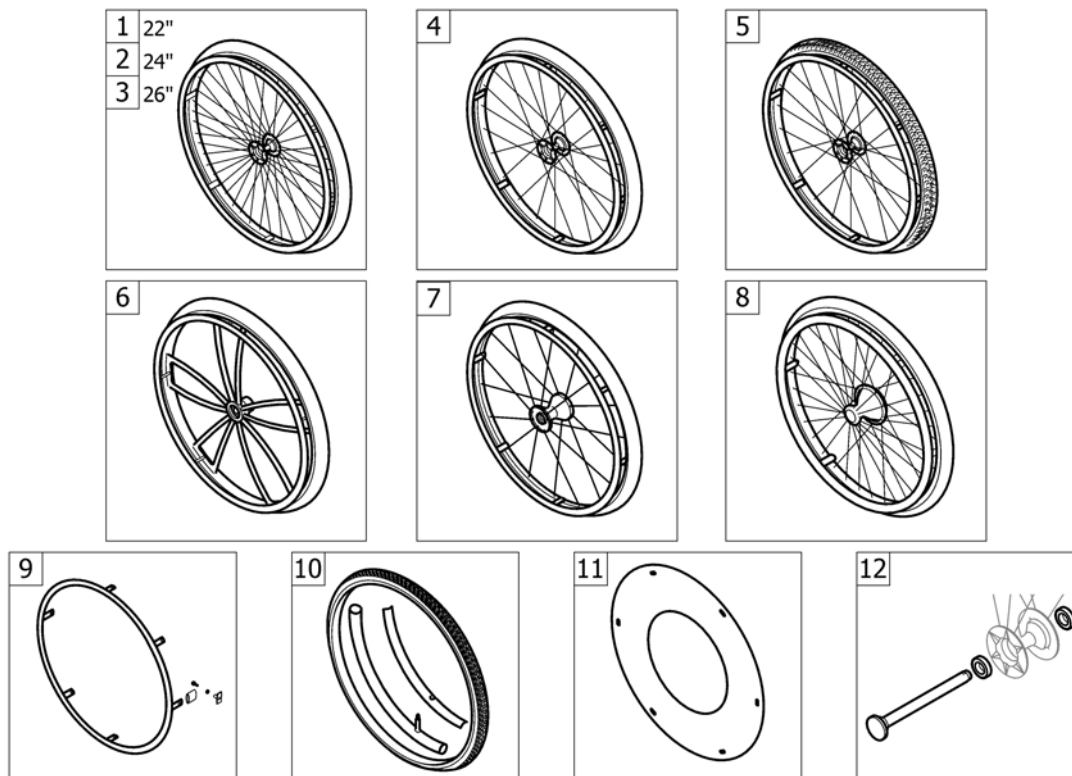
1	1513180	SVINGHJUL 3 KPL PLUS AKSLING 1420972 <i>Replaces 732.1026</i>		2
2	1513181	SVINGHJUL 4 SKATER TRANS PARENT <i>Replaces 1416805</i>		2
3	1562626	SVINGHJUL 4 EVERYDAY 3 EIKER SORT <i>Replaces 1513182</i>	01.07.2012 →	2
4	1561139	(4" Comfort wheel, black)	01.07.2012 →	2
5	1513183-0400	SVINGHJUL 4 STAREC TECHNO-ANTHRACITE <i>Replaces 1420968-0400</i>		2
5	1513183-0401	SVINGHJUL 4 STAREC LEMON KUSCHALL <i>Replaces 1420968-0401</i>		2
5	1513183-0402	(4" Starec wheel, apricot) <i>Replaces 1420968-0402</i>		2
5	1513183-0404	SVINGHJUL 4 STAREC B-BLÅ KUSCHALL <i>Replaces 1420968-0404</i>		2
5	1513183-0440	SVINGHJUL 4 STAREC COMET RØD <i>Replaces 1420968-0440</i>	01.01.2007 →	2
5	1513183-0408	SVINGHJUL 4 STAREC SORT KUSCHALL <i>Replaces 1420968-0408</i>		2
6	1513187-0400	SVINGHJUL 5 STAREC KUSCHALL TECHNO-ANTRACIT <i>Replaces 732.1032.950</i>		2
6	1513187-0401	SVINGHJUL 5 STAREC LEMON KUSCHALL <i>Replaces 732.1032.951</i>		2
6	1513187-0402	SVINGHJUL 5 STAREC KUSCHALL APRIKOS <i>Replaces 732.1032.954</i>		2
6	1513187-0404	SVINGHJUL 5 STAREC KUSCHALL B-BLUE <i>Replaces 732.1032.957</i>		2
6	1513187-0440	SVINGHJUL 5 STAREC COMET RØD <i>Replaces 732.1032-0440</i>	01.01.2007 →	2
6	1513187-0408	SVINGHJUL 5 STAREC KUSCHALL SVART <i>Replaces 732.1032.961</i>		2
7	1562627	5 SVINGHJUL EVERYDAY 3 EIKER SORT <i>Replaces 1513185</i>	01.07.2012 →	2
8	1542640	SVINGHJUL 5 SORT 4 CM KUSCHALL <i>Replaces 1513186</i>	01.07.2012 →	2



**(Front wheels)**

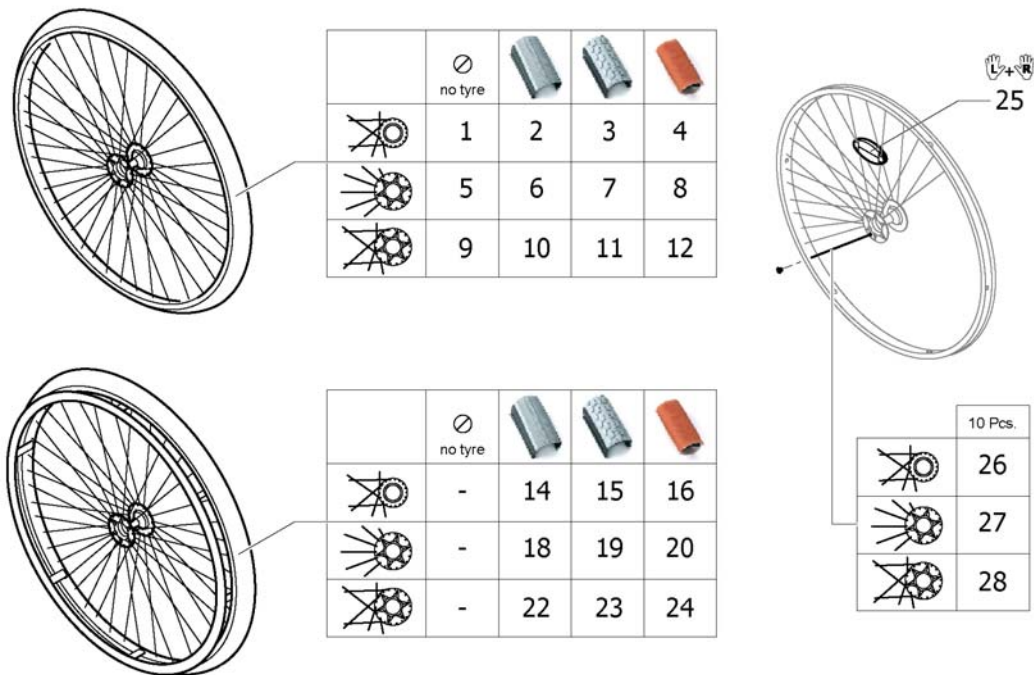
9	1562628	6" EVERYDAY 3 EIKER SORT GUMMI <i>Replaces 1513190</i>	01.07.2012 →	2
10	1513189	SVINGHJUL 6"LUFTFYLT KUSCHALL <i>Replaces 732.1020</i>		2
11	1513192	SVINGHJUL 7 SPORT KUSCHALL <i>Replaces 732.1014</i>		2
12	1513191	SVINGHJUL 7x1 3/4 KPL M/AKSLING BALLO <i>Only with Fork 8" wide - Replaces 732.1006</i>		2
13	1420972	AKSLINGSETT KPL STAREC/SKATE HJUL		2
14	1570108	AKSELSETT SVINGHJUL U DISTANSESKIVER		2
15	1570109	(Axle set complete 6" pneumatic wheel)		2
16	1420977	AKSLINGSSETT KPL 7 LUFT HJUL ALLE KÜSCHALL <i>Only with Fork 8" wide</i>		2
17	1570104	(Ball bearing 608-2RS 8/22*7, pair)		2
18	1570105	(Ball bearing 6000-2RS, pair)		2

**(REAR WHEELS)**



1	-	(22" Küschall rear wheels complete)	01.01.2004 → 31.12.2012	1
2	-	(24" Küschall rear wheels complete)	01.01.2004 → 31.12.2012	1
3	-	(26" Küschall rear wheels complete)	01.01.2004 → 31.12.2012	1
4	-	(High Performance wheel)	01.01.2004 → 31.12.2012	1
5	-	(Mountain bike wheel)	01.01.2004 → 31.12.2012	1
6	-	(Spider wheel)	01.01.2004 → 31.12.2012	1
7	-	(Spinergy wheel)	01.01.2004 → 31.12.2012	1
8	-	(Drumbrake wheel)	01.01.2004 → 31.12.2012	1
9	-	(Handrim)	01.01.2004 → 31.12.2012	1
10	-	(Tyre)	01.01.2004 → 31.12.2012	1
11	-	(Spokes guard)	01.01.2004 → 31.12.2012	1
12	-	(Quick release axle and bearing)	01.01.2004 → 31.12.2012	1

## (22" Küschall rear wheels complete)

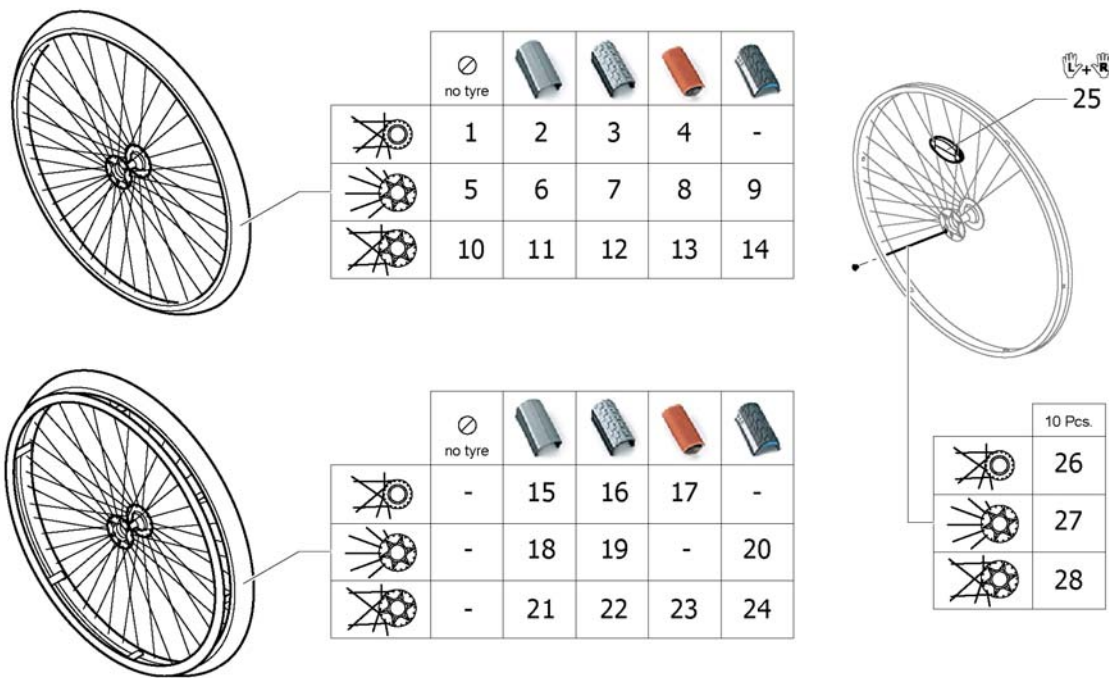


1	904.1077	DRIVHJUL 22 FELG STD KUSCHALLALLE U/DEKK/DRIV	01.01.2004 → 30.06.2010	2
2	904.1180	DRIVHJUL 22 STD NAV UTEN DRIVR SMOOTH RUNNING	01.01.2004 → 30.06.2010	2
3	904.1169	DRIVHJUL 22 STD NAV UTEN DRIVR TREAD	01.01.2004 → 30.06.2010	2
4	904.1170	DRIVHJUL 22 STD NAV UTEN DRIVR INDOOR SPORTS	01.01.2004 → 30.06.2010	2
5	1559082-0407	(Rear wheel 22" Starec R, colourless, without handrim, without tyre) <i>Replaces 904.1081</i>		2
5	1559082-0400	(Rear wheel 22" Starec R, tecno, without handrim, without tyre) <i>Replaces 904.1081.950</i>		2
5	1559082-0401	(Rear wheel 22" Starec R, lemon, without handrim, without tyre) <i>Replaces 904.1081.951</i>		2
5	1559082-0402	BAKHJUL 22"STAREC R U/DRIVR OG DEKK,APRIKOS <i>Replaces 904.1081.954</i>		2
5	1559082-0404	(Rear wheel 22" Starec R, b-blue, without handrim, without tyre) <i>Replaces 904.1081.957</i>		2
5	1559082-0440	(Rear wheel 22" Starec R, comet red, without handrim, without tyre) <i>Replaces 904.1081-0440</i>	01.01.2007 →	2
6	904.1195	DRIVHJUL 22 STAREC NAV U TEN DRIVR SMOOTH RUNNING		2
7	904.1158	DRIVHJUL 22 STAREC NAV U TEN DRIVR TREAD		2
8	904.1159	DRIVHJUL 22 STAREC NAV U TEN DRIVR INDOOR SPORTS	01.01.2004 → 30.06.2010	2
9	1559083-0407	(Rear wheel 22", Starec X, colourless, without handrim, without tyre) <i>Replaces 904.1131</i>		2
9	1559083-0400	(Rear wheel 22" Starec X, Tecno, without handrim, without tyre) <i>Replaces 904.1131.950</i>		2
9	1559083-0401	(Rear wheel 22" Starec X, Lemon, without handrim, without tyre) <i>Replaces 904.1131.951</i>		2
9	1559083-0402	(Rear wheel 22" Starec X, Apricot, without handrim, without tyre) <i>Replaces 904.1131.954</i>		2
9	1559083-0404	(Rear wheel 22" Starec X, B-blue, without handrim, without tyre) <i>Replaces 904.1131.957</i>		2
9	1559083-0440	(Rear wheel 22" Starec X, Comet red, without handrim, without tyre) <i>Replaces 904.1131-0440</i>	01.01.2007 →	2

**(22" Küschall rear wheels complete)**

10	904.1189	DRIVHJUL 22 STAREC NAV U TEN DRIVR SMOOTH RUNNING		2
11	904.1139	DRIVHJUL 22 STAREC NAV U TEN DRIVR TREAD		2
12	904.1140	DRIVHJUL 22 STAREC NAV U TEN DRIVR INDOOR SPORTS	01.01.2004 → 30.06.2010	2
14	904.1178	DRIVHJUL 22 STD NAV ALU DRIVRING GRÅ HØYTRYKK	01.01.2004 → 30.06.2010	2
15	904.1054	DRIVHJUL 22 STD NAV DRIV R TREAD	01.01.2004 → 30.06.2010	2
16	904.1066	DRIVHJUL 22 STD NAV DRIV R INDOOR SPORTS	01.01.2004 → 30.06.2010	2
18	904.1192	DRIVHJUL 22 STAREC NAV D RIVR SMOOTH RUNNING		2
19	904.1149	DRIVHJUL 22 STAREC NAV D RIVR TREAD		2
20	904.1150	DRIVHJUL 22 STAREC NAV D RIVR INDOOR SPORTS	01.01.2004 → 30.06.2010	2
22	904.1186	DRIVHJUL 22 STAREC GRÅ HØYTR & ALU DRIVRING		2
23	904.1123	DRIVHJUL 22 STAREC NAV D RIVR TREAD		2
24	904.1124	DRIVHJUL 22 STAREC SPORT HALL & ALU DRIVRING	01.01.2004 → 30.06.2010	2
25	1571073	(Spokereflection, pair) <i>Replaces 220.1033</i>		1
26	1579083	(Spokes 230mm complete, kit 10 Pcs.)		1
27	1579081	(Spokes 211mm complete, kit 10 Pcs.)		1
28	1579082	(Spokes 228mm complete, kit 10 Pcs.)		1

## (24" Küschall rear wheels complete)

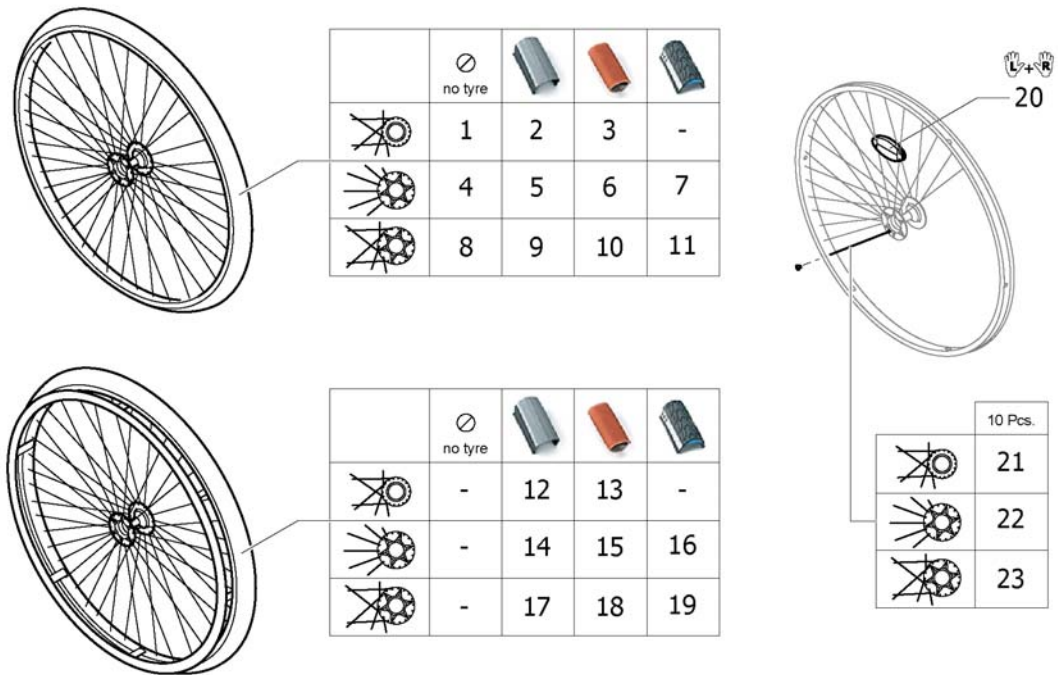


1	1416882	DRIVHJUL 24 STD NAV UTEN DEKK UTEN DRIVR	01.01.2004 → 30.06.2010	2
2	1416883	DRIVHJUL 24 STD NAV UTEN DRIVR SMOOTH RUNNING	01.01.2004 → 30.06.2010	2
3	904.1171	DRIVHJUL 24 STD NAV UTEN DRIVR TREAD	01.01.2004 → 30.06.2010	2
4	904.1174	DRIVHJUL 24 STD NAV UTEN DRIVR INDOOR SPORTS	01.01.2004 → 30.06.2010	2
5	1567103-0407	(Rear wheel 24" Starec R, colourless, without handrim, without tyre) <i>Replaces 904.1082</i>		2
5	1567103-0400	(Rear wheel 24" Starec R, tecno, without handrim, without tyre) <i>Replaces 904.1082.950</i>		2
5	1567103-0401	(Rear wheel 24" Starec R, lemon, without handrim, without tyre) <i>Replaces 904.1082.951</i>		2
5	1567103-0402	(Rear wheel 24" Starec R, apricot, without handrim, without tyre) <i>Replaces 904.1082.954</i>		2
5	1567103-0404	(Rear wheel 24" Starec R, b-blue, without handrim, without tyre) <i>Replaces 904.1082.957</i>		2
5	1567103-0440	(Rear wheel 24" Starec R, comet red, without handrim, without tyre) <i>Replaces 904.1082-0440</i>	01.01.2007 →	2
6	904.1161	DRIVHJUL 24 STAREC NAV RADIAL M DEKK U DRIVR		2
7	904.1160	DRIVHJUL 24 STAREC NAV U TEN DRIVR TREAD		2
8	904.1163	DRIVHJUL 24 STAREC NAV U TEN DRIVR INDOOR SPORTS		2
9	1554397-0007	(Rear wheel 24", Starec R, colourless, without handrim, marathon evolution)		2
9	1554397-0400	(Rear wheel 24" Starec R, tecno, without handrim, marathon evolution)		2
9	1554397-0401	(Rear wheel 24" Starec R, lemon, without handrim, marathon evolution)		2
9	1554397-0402	(Rear wheel 24" Starec R, apricot, without handrim, marathon evolution)		2
9	1554397-0404	(Rear wheel 24" Starec R, b-blue, without handrim, marathon evolution)		2
9	1554397-0440	(Rear wheel 24" Starec R, comet red, without handrim, marathon evolution)	01.01.2007 →	2
10	1567104-0407	DRIVHJUL 24 STAREC U/DRIVR U/DEKK U/FARGE <i>Replaces 1416885</i>		2
10	1567104-0400	(Rear wheel 24" Starec X, Tecno, without handrim, without tyre) <i>Replaces 904.1132.950</i>		2

**(24" Küschall rear wheels complete)**

10	1567104-0401	(Rear wheel 24" Starec X, Lemon, without handrim, without tyre) <i>Replaces 904.1132.951</i>		2
10	1567104-0402	(Rear wheel 24" Starec X, Apricot, without handrim, without tyre) <i>Replaces 904.1132.954</i>		2
10	1567104-0404	(Rear wheel 24" Starec X, B-blue, without handrim, without tyre) <i>Replaces 904.1132.957</i>		2
10	1567104-0440	(Rear wheel 24" Starec X, Comet red, without handrim, without tyre) <i>Replaces 904.1132-0440</i>	01.01.2007 →	2
11	1570471	(Rear wheel 24", Starec hub X, without handrim, light wall tyre)		2
12	904.1141	DRIVHJUL 24 STAREC NAV U TEN DRIVR TREAD		2
13	904.1144	DRIVHJUL 24 STAREC MED DEKK UTEN DRIVRING KÜSCH		2
14	1554399-0007	(Rear wheel 24", Starec X, colourless, without handrim, marathon evolution)		2
14	1554399-0400	(Rear wheel 24" Starec X, tecno, without handrim, marathon evolution)		2
14	1554399-0401	(Rear wheel 24" Starec X, lemon, without handrim, marathon evolution)		2
14	1554399-0402	(Rear wheel 24" Starec X, apricot, without handrim, marathon evolution)		2
14	1554399-0404	(Rear wheel 24" Starec X, b-blue, without handrim, marathon evolution)		2
14	1554399-0440	(Rear wheel 24" Starec X, comet red, without handrim, marathon evolution)	01.01.2007 →	2
15	1416881	DRIVHJUL 24 STD NAV ALU DRIVRING GRÅ HØYTRYKK	01.01.2004 → 30.06.2010	2
16	904.1005	DRIVHJUL 24 STD NAV DRIV R TREAD	01.01.2004 → 30.06.2010	2
17	904.1006	DRIVHJUL 24 STD NAV DRIV R INDOOR SPORTS	01.01.2004 → 30.06.2010	2
18	904.1152	DRIVHJUL 24 STAREC NAV RADIAL M.DEKK DRIVRING		2
19	904.1151	DRIVHJUL 24 STAREC NAV D RIVR TREAD		2
20	1554398-0007	(Rear wheel 24", Starec R, colourless, handrim, marathon evolution)		2
20	1554398-0400	(Rear wheel 24" Starec R, tecno, handrim, marathon evolution)		2
20	1554398-0401	(Rear wheel 24" Starec R, lemon, handrim, marathon evolution)		2
20	1554398-0402	(Rear wheel 24" Starec R, apricot, handrim, marathon evolution)		2
20	1554398-0404	(Rear wheel 24" Starec R, b-blue, handrim, marathon evolution)		2
20	1554398-0440	(Rear wheel 24" Starec R, comet red, handrim, marathon evolution)	01.01.2007 →	2
21	1570472	(Rear wheel 24", Starec hub X, handrim, light wall tyre)		2
22	904.1125	DRIVHJUL 24 STAREC NAV D RIVR TREAD		2
23	904.1135	DRIVHJUL 24 STAREC SPORT HALL & ALU DRIVRINGKK		2
24	1554400-0007	(Rear wheel 24", Starec X, colourless, handrim, marathon evolution)		2
24	1554400-0400	(Rear wheel 24" Starec X, tecno, handrim, marathon evolution)		2
24	1554400-0401	(Rear wheel 24" Starec X, lemon, handrim, marathon evolution)		2
24	1554400-0402	(Rear wheel 24" Starec X, apricot, handrim, marathon evolution)		2
24	1554400-0404	(Rear wheel 24" Starec X, b-blue, handrim, marathon evolution)		2
24	1554400-0440	(Rear wheel 24" Starec X, comet red, handrim, marathon evolution)	01.01.2007 →	2
25	1571073	(Spokereflection, pair) <i>Replaces 220.1033</i>		1
26	1579087	(Spokes 256mm complete, kit 10 Pcs.)		1
27	1579084	(Spokes 238mm complete, kit 10 Pcs.)		1
28	1579086	(Spokes 253mm complete, kit 10 Pcs.)		1

## (26" Küschall rear wheels complete)



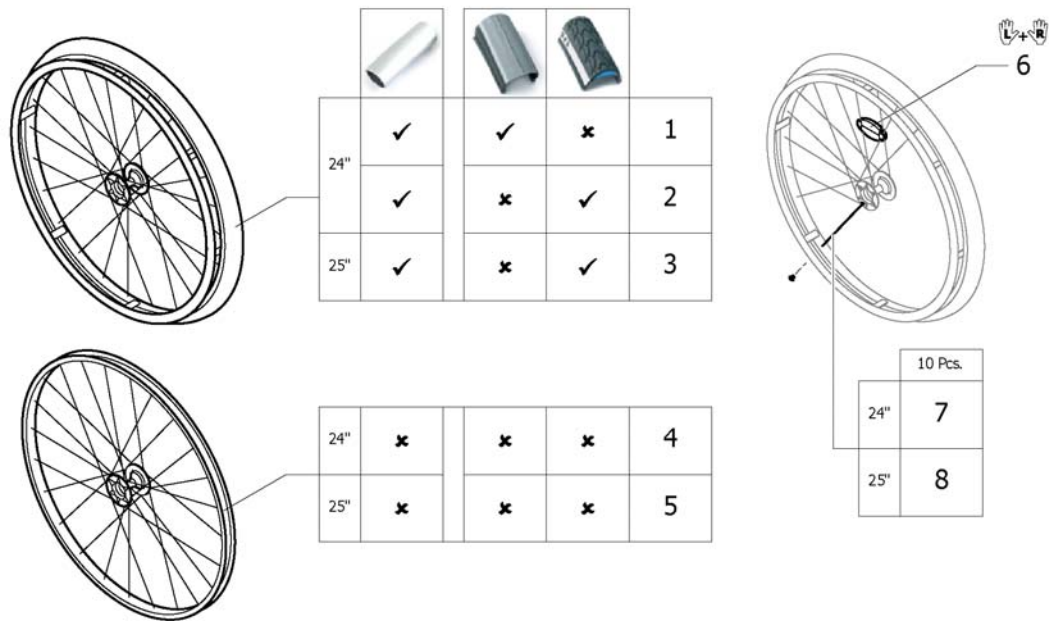
1	904.1079	DRIVHJUL 26 STD NAV UTEN DEKK UTEN DRIVR	01.01.2004 → 30.06.2010	2
2	904.1184	DRIVHJUL 26 STD NAV UTEN DRIVR.M/GRÅ HØYTRY.DEKK	01.01.2004 → 30.06.2010	2
3	904.1176	DRIVHJUL 26 STD NAV MED DRIVR INDOOR SPORTS	01.01.2004 → 30.06.2010	2
4	1567098-0407	(Rear wheel 26" Starec R, colourless, without handrim, without tyre) <i>Replaces 904.1083</i>		2
4	1567098-0400	(Rear wheel 26" Starec R, tecno, without handrim, without tyre) <i>Replaces 904.1083.950</i>		2
4	1567098-0401	(Rear wheel 26" Starec R, lemon, without handrim, without tyre) <i>Replaces 904.1083.951</i>		2
4	1567098-0402	(Rear wheel 26" Starec R, apricot, without handrim, without tyre) <i>Replaces 904.1083.954</i>		2
4	1567098-0404	(Rear wheel 26" Starec R, b-blue, without handrim, without tyre) <i>Replaces 904.1083.957</i>		2
4	1567098-0440	(Rear wheel 26" Starec R, comet red, without handrim, without tyre) <i>Replaces 904.1083-0440</i>	01.01.2007 →	2
5	904.1196	DRIVHJUL 26 STAREC NAV U TEN DRIVR SMOOTH RUNNING		2
6	904.1165	DRIVHJUL 26 STAREC NAV U TEN DRIVR SMOOTH RUNNING		2
7	1554401-0007	(Rear wheel 26", Starec R, colourless, without handrim, marathon evolution)		2
7	1554401-0400	(Rear wheel 26" Starec R, tecno, without handrim, marathon evolution)		2
7	1554401-0401	(Rear wheel 26" Starec R, lemon, without handrim, marathon evolution)		2
7	1554401-0402	(Rear wheel 26" Starec R, apricot, without handrim, marathon evolution)		2
7	1554401-0404	(Rear wheel 26" Starec R, b-blue, without handrim, marathon evolution)		2
7	1554401-0440	(Rear wheel 26" Starec R, comet red, without handrim, marathon evolution)	01.01.2007 →	2
8	1567099-0407	DRIVHJUL 26 STAREC NAV UTEN DRIVRING OG DEKK <i>Replaces 904.1133</i>		2
8	1567099-0400	(Rear wheel 26" Starec X, Tecno, without handrim, without tyre) <i>Replaces 904.1133.950</i>		2
8	1567099-0401	(Rear wheel 26" Starec X, Lemon, without handrim, without tyre) <i>Replaces 904.1133.951</i>		2

**(26" Küschall rear wheels complete)**

8	1567099-0402	(Rear wheel 26" Starec X, Apricot, without handrim, without tyre) <i>Replaces 904.1133.954</i>		2
8	1567099-0404	(Rear wheel 26" Starec X, B-blue, without handrim, without tyre) <i>Replaces 904.1133.957</i>		2
8	1567099-0440	(Rear wheel 26" Starec X, Comet red, without handrim, without tyre) <i>Replaces 904.1133-0440</i>	01.01.2007 →	2
9	904.1190	DRIVHJUL 26 STAREC NAV U TEN DRIVR SMOOTH RUNNING		2
10	904.1146	DRIVHJUL 26 STAREC NAV U TEN DRIVR INDOOR SPORTS		2
11	1554403-0007	(Rear wheel 26", Starec X, colourless, without handrim, marathon evolution)		2
11	1554403-0400	(Rear wheel 26" Starec X, tecno, without handrim, marathon evolution)		2
11	1554403-0401	(Rear wheel 26" Starec X, lemon, without handrim, marathon evolution)		2
11	1554403-0402	(Rear wheel 26" Starec X, apricot, without handrim, marathon evolution)		2
11	1554403-0404	(Rear wheel 26" Starec X, b-blue, without handrim, marathon evolution)		2
11	1554403-0440	(Rear wheel 26" Starec X, comet red, without handrim, marathon evolution)	01.01.2007 →	2
12	904.1183	DRIVHJUL 26 STD.NAV M/ ALU DRIVRING GRÅ HØYTRY.	01.01.2004 → 30.06.2010	2
13	904.1088	DRIVHJUL 26 M/GULE HØYTR. ALU DRRING 3CM KU	01.01.2004 → 30.06.2010	2
14	904.1193	DRIVHJUL 26 STAREC NAV D RIVR SMOOTH RUNNING		2
15	904.1155	DRIVHJUL 26 STAREC NAV D RIVR INDOOR SPORTS		2
16	1554402-0007	(Rear wheel 26", Starec R, colourless, handrim, marathon evolution)		2
16	1554402-0400	(Rear wheel 26" Starec R, tecno, handrim, marathon evolution)		2
16	1554402-0401	(Rear wheel 26" Starec R, lemon, handrim, marathon evolution)		2
16	1554402-0402	(Rear wheel 26" Starec R, apricot, handrim, marathon evolution)		2
16	1554402-0404	(Rear wheel 26" Starec R, b-blue, handrim, marathon evolution)		2
16	1554402-0440	(Rear wheel 26" Starec R, comet red, handrim, marathon evolution)	01.01.2007 →	2
17	904.1187	DRIVHJUL 26 STAREC NAV ALU DRIVRING DEKK STD		2
18	904.1129	DRIVHJUL 26 STAREC SPORT HALL & ALU DRIVRING		2
19	1554417-0007	(Rear wheel 26", Starec X, colourless, handrim, marathon evolution)		2
19	1554417-0400	(Rear wheel 26" Starec X, tecno, handrim, marathon evolution)		2
19	1554417-0401	(Rear wheel 26" Starec X, lemon, handrim, marathon evolution)		2
19	1554417-0402	(Rear wheel 26" Starec X, apricot, handrim, marathon evolution)		2
19	1554417-0404	(Rear wheel 26" Starec X, b-blue, handrim, marathon evolution)		2
19	1554417-0440	(Rear wheel 26" Starec X, comet red, handrim, marathon evolution)	01.01.2007 →	2
20	1571073	(Spokereflection, pair) <i>Replaces 220.1033</i>		1
21	1579091	(Spokes 280mm complete, kit 10 Pcs.)		1
22	1579089	(Spokes 262mm complete, kit 10 Pcs.)		1
23	1579090	(Spokes 278mm complete, kit 10 Pcs.)		1



## (High Performance wheel)

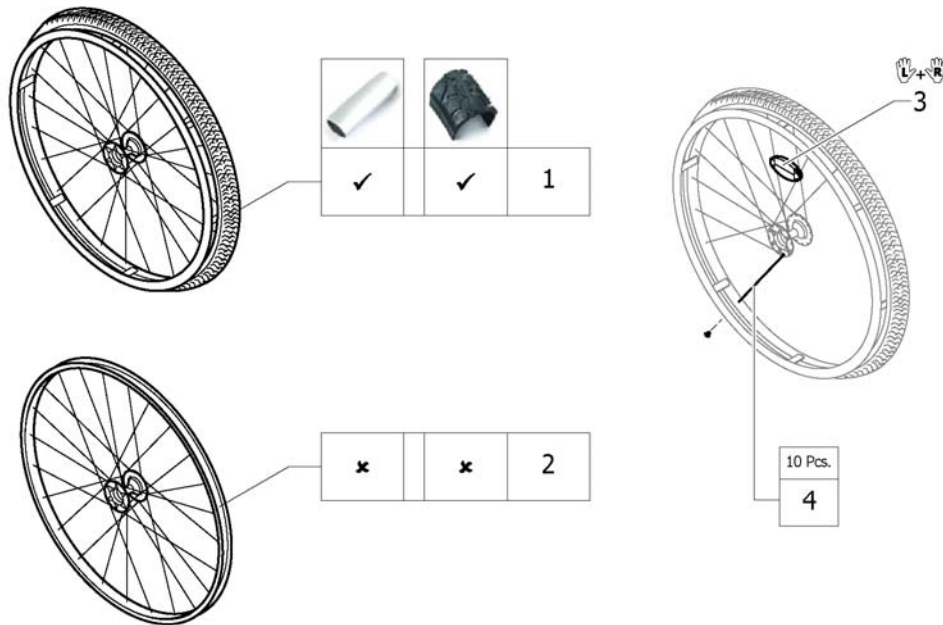


1	1420958	DRIVHJUL 24 HIGH PERFORM SVARTE EIKER KUN GRÅ HT	01.01.2004 → 31.12.2009	2
1	1420958-0004	DRIVHJUL 24 HIGH PERFORM GRÅ EIKER KUN GRÅ HT	01.01.2010 →	2
1	1420958-0400	DRIVHJUL 24 HØY PERMANCE TECH-ANT DRIVR ALU DEKK	01.01.2009 →	2
1	1420958-0401	DRIVHJUL 24 HØY PERMANCE SITRON DRIVR ALU DEK LE	01.01.2009 →	2
1	1420958-0402	(Wheel 24", High Performance, apricot, handrim alu, tyre light wall)	01.01.2009 →	2
1	1420958-0404	DRIVHJUL 24 HØY PERMANCE B-BLÅ DRIVRING ALU DEKK	01.01.2009 →	2
1	1420958-0440	DRIVHJUL 24 HØY PERMANCE COMET RØD DRIV ALU DEKK	01.01.2009 →	2
2	1527046	HIGH PERF. DRIVHJUL 24" MARAT.DEKK ALU DRIV KOMP	01.07.2006 → 31.12.2009	2
2	1527046-0004	DRIVHJUL 24 HØY PERMANCE SORT DRIV ALU DEKK ME	01.01.2010 →	2
2	1527046-0400	DRIVHJUL 24 HØY PERMANCE TECHNO-ANTHRACITE DRIVR	01.01.2009 →	2
2	1527046-0401	DRIVHJUL 24 HØY PERMANCE SITRON DRIVRING ALU DEK	01.01.2009 →	2
2	1527046-0402	(Wheel 24", High Performance, apricot, handrim alu, tyre Marathon Evolution)	01.01.2009 →	2
2	1527046-0404	DRIVHJUL 24 HØY PERMANCE B-BLÅ DRIVRING ALU DEKK	01.01.2009 →	2
2	1527046-0440	DRIVHJUL 24 HØY PERMANCE COMET RØD DRIVRING ALU	01.01.2009 →	2
3	1445479	DRIVHJUL 25 HIGH PERFORM KPL ALLE KÜSCHALL	01.01.2005 → 31.12.2009	2
3	1445479-0004	DRIVHJUL 25 HØY PERMANCE SORT DRIVRING ALU DEKK	01.01.2010 →	2
3	1445479-0400	DRIVHJUL 25 HØY PERMANCE TECHNO-ANTHRACITE DRIVR	01.01.2009 →	2
3	1445479-0401	DRIVHJUL 25 HØY PERMANCE SITRON DRIVRING ALU DEK	01.01.2009 →	2
3	1445479-0402	DRIVHJUL 25 HØY PERMANCE APRIKOS DRIVRING ALU DE	01.01.2009 →	2
3	1445479-0404	DRIVHJUL 25 HØY PERMANCE B-BLÅ DRIVRING ALU DEKK	01.01.2009 →	2
3	1445479-0440	DRIVHJUL 25 HØY PERMANCE COMET RØD DRIVRING ALU	01.01.2009 →	2
4	1517723-0407	HIGH PERFORMANCE 24" KUN FELG KUSCHALL	01.01.2004 → 31.12.2009	2
4	1517723-0004	(Wheel 24", High Performance, black, without handrim, without tyre)	01.01.2010 →	2
4	1517723-0400	(Wheel 24", High Performance, techno-anthracite, without handrim, without tyre)	01.01.2009 →	2
4	1517723-0401	(Wheel 24", High Performance, lemon, without handrim, without tyre)	01.01.2009 →	2
4	1517723-0402	(Wheel 24", High Performance, apricot, without handrim, without tyre)	01.01.2009 →	2
4	1517723-0404	DRIVHJUL 24 HØY PERMANCE B-BLÅ UTEN DRIVRING UTE	01.01.2009 →	2

**(High Performance wheel)**

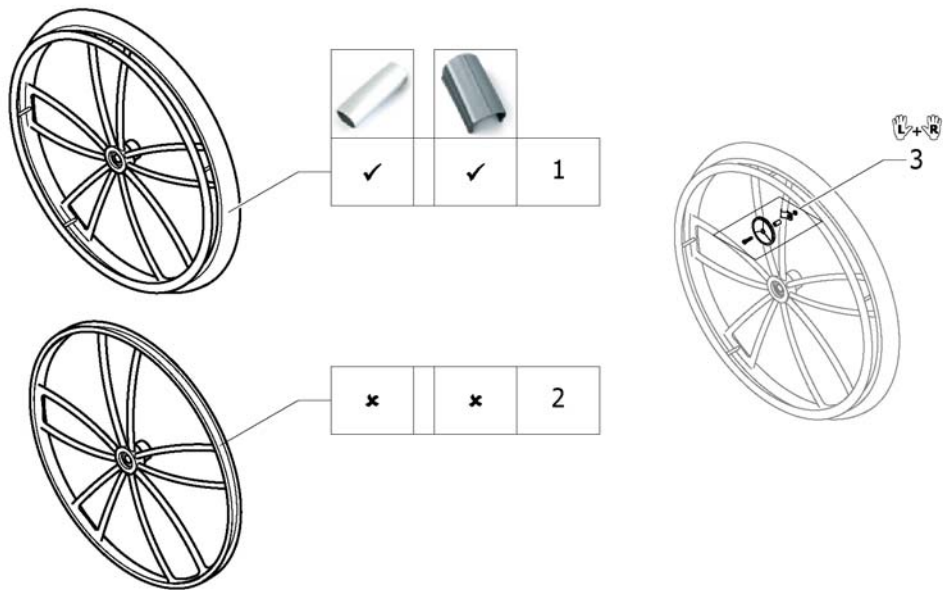
4	1517723-0440	DRIVHJUL 24 HØY PERMANCE COMET RØD UTEN DRIVRING	01.01.2009 →	2
5	1562937-0407	(Wheel 25", High Performance, colourless, without handrim, without tyre)	01.01.2005 → 31.12.2009	2
5	1562937-0004	(Wheel 25", High Performance, black, without handrim, without tyre)	01.01.2010 →	2
5	1562937-0400	(Wheel 25", High Performance, techno-anthrac., without handrim, without tyre)	01.01.2009 →	2
5	1562937-0401	(Wheel 25", High Performance, lemon, without handrim, without tyre)	01.01.2009 →	2
5	1562937-0402	(Wheel 25", High Performance, apricot, without handrim, without tyre)	01.01.2009 →	2
5	1562937-0404	(Wheel 25", High Performance, b-blue, without handrim, without tyre)	01.01.2009 →	2
5	1562937-0440	(Wheel 25", High Performance, comet red, without handrim, without tyre)	01.01.2009 →	2
6	1571073	(Spokereflection, pair) <i>Replaces 220.1033</i>		1
7	1578867	(Spokes kit for High Performance wheel 24", 10 Pcs.)		1
8	1578868	(Spokes kit for High Performance wheel 25", 10 Pcs.)		1

**(Mountain bike wheel)**



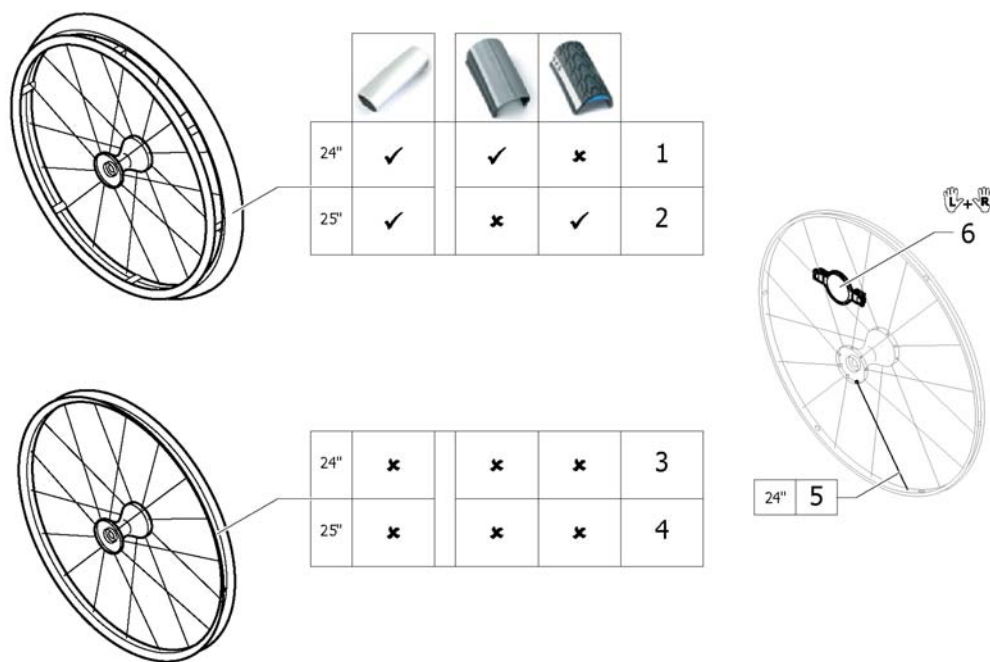
1	1517875	DRIVHJUL 24 MOUTAINDRIVE 22 DRIVRING SVARTE EIKER <i>Replaces 1420959</i>	2
2	1529327	(Rear wheel Mountain Bike 24", without handrim, without tyre) <i>Replaces 1439420</i>	2
3	1571073	(Spokereflection, pair) <i>Replaces 220.1033</i>	1
4	1579085	(Spokes kit for Mountain Bike wheel, 10 Pcs.)	1

## (Spider wheel)



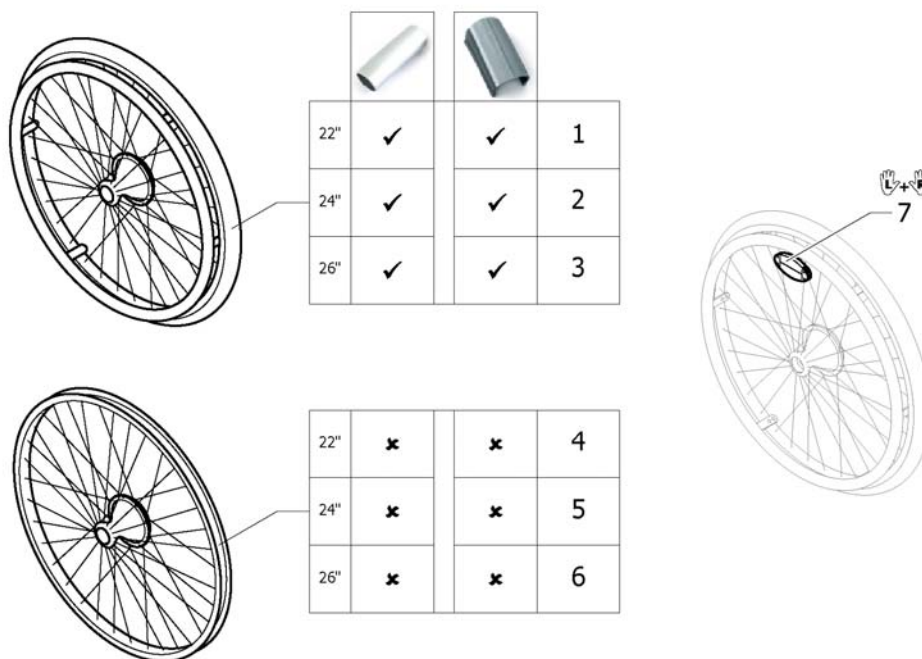
1	904.1201.000	DRIVHJUL 24 SPIDER KÜSCHALL ALU DRIVRING	2
2	1424944	DRIVHJUL 24 SPIDER U DEKK OG DRIVRING KUSCH	2
3	1571074	(Spoke reflection set for Spider wheel, pair) <i>Replaces 1439352</i>	1

## (Spinergy wheel)



1	1485805	DRIVHJUL 24 SPINERGY KPL GRÅ HØYTRYKK ALU DRIV.		2
2	1525127	DRIVHJUL 25 SPINERGY ALU DRIVR MARATHON EVOLUTION	01.01.2009 →	2
3	1570426	(Rear wheel 24", Spinergy, without handrim, without tyre)		2
4	1525128	DRIVHJUL SPINERGY 25" KUSCHALL	01.01.2009 →	2
5	1579092	(Spoke for Spinergy wheel 24", 1 Pcs.)		36
6	1571088	(Spoke reflection for Spinergy wheel, pair) <i>Replaces 1451931</i>		1

### (Drumbrake wheel)

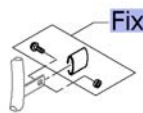



---

1	1445495	DRIVHJUL LED BREM 22 OCTOPUS KPL M DRIVR	2
4	1445492	DRIVHJUL LED BREM 22 OCTOPUS UTEN DRIVR OG D	2
2	1445496	DRIVHJUL LED BREM 24 OCTOPUS KPL MED DRIVR A	2
5	1445493	DRIVHJUL LED BREM 24 OCTOPUS UTEN DRIVR OG D	2
3	1445497	DRIVHJUL LED BREM 26 OCTOPUS KPL MED DRIVR A	2
6	1445494	DRIVHJUL LED BREM 26 OCTOPUSUTEN DRIVR OG DE	2
7	1571073	(Spokereflection, pair) <i>Replaces 220.1033</i>	1

# (Handrim)

		3cm		4cm		22"		24"		25"		26"		24"		24"		26"		22"		24"		26"		24"	
		1	2	3	4	5	6	7	8	9	10	11	12	13	14	15	16	17	18	19	20						
 Küschall wheel	3cm	1	3	5	7	9	11	13	15	16	17	18	19	20													
	4cm	2	4	6	8	10	12	14																			
 High Performance	3cm	-	3	5	-	9	11	-	-	16	-	18	-	20													
	4cm	-	4	6	-	10	12	-	-	16	-	18	-	20													
 Mountainbike	3cm	1	-	-	-	-	-	-	15	-	-	-	-	-													
	4cm	2	-	-	-	-	-	-	15	-	-	-	-	-													
 Spiderwheel	3cm	-	21	-	-	22	-	-	-	23	-	-	-	-													
	4cm	-	21	-	-	22	-	-	-	23	-	-	-	-													
 Spinergy	3cm	-	3	5	-	9	11	-	-	16	-	18	-	20													
	4cm	-	4	6	-	10	12	-	-	16	-	18	-	20													
 Drumbrake	3cm	1	3	-	7	9	11	13	15	16	17	18	19	20													
	4cm	2	4	-	8	10	12	14																			



Fix	-	(Fixation handrim)	1
1	1568713-0005	(Handrim 22" Aluminium, distance 3cm)	2
2	1568700	(Handrim 22" Alu, 4cm) <i>Replaces 457.1023</i>	2
3	1568714-0005	DRIVRING 24 ALU ELOKsert KÜSCHALL st.SPINERGY	2
4	1568702	DRIVRING 24 ELOKsert STD KUSCHALL <i>Replaces 1432287-0005</i>	2
5	1568730-0005	(Handrim 25" Aluminium, distance 3cm)	2
6	1568708	(Handrim 25" Alu light for high performance, 4cm) <i>Replaces 1420890-0005</i>	2
7	1568731-0005	(Handrim 26" Aluminium, distance 3cm)	2
8	1568709	(Handrim 26" Alu, 4cm) <i>Replaces 457.1043</i>	2
9	1568716	(Handrim 24" Titanium, distance 3cm)	2
10	1568705	(Handrim 24" Titanium, 4cm) <i>Replaces 457.1051</i>	2
11	1568715	(Handrim 24" steel polished, distance 3cm)	2
12	1568704	(Handrim 24" steel polished, 4cm) <i>Replaces 457.1009</i>	2
13	1568777	(Handrim 26" steel polished, distance 3cm)	2
14	1568711	(Handrim 26" steel polished, 4cm) <i>Replaces 457.1010</i>	2
15	1568701	(Handrim 22" Super-Grip) <i>Replaces 457.1045.429</i>	2
16	1568703	DRIVRING 24 SUPERGRIP <i>Replaces 457.1017.429</i>	2
17	1568710	(Handrim 26" Super-Grip) <i>Replaces 457.1046.429</i>	2
18	1568706	(Handrim 24" Tetra) <i>Replaces 457.1052.000</i>	01.01.2004 → 31.12.2011
19	1568712	(Handrim 26" Tetra) <i>Replaces 1436971</i>	2
20	1568707	(Handrim 24" Maxgrip) <i>Replaces 905.5002</i>	01.01.2004 → 31.12.2011

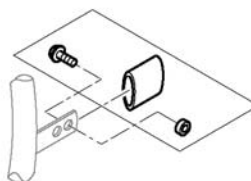
**(Handrim)**

---

21	457.1053.000	DRIVRING 24 ALU ELOKSERT SPIDER WHEEL	2
22	1416801	DRIVRING 24 TITAN KUSCHALL TIL SPIDERHJUL	2
23	1416802	DRIVRING 24 SUPERGRIP KUSCHALL SPIDERWHEEL	2



**(Fixation handrim)**

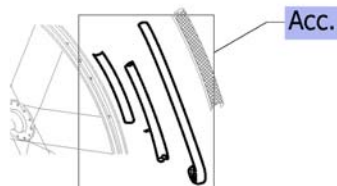


		Aluminium	Titanium	Steel	Supergrip	Tetra	Maxgrip						
	3cm												
	4cm												
	3cm	1	1	1	1	1	1	1	1	12	12	1	1
	4cm	2	3	2	3	2	3	2	3	-	-	2	3
	3cm	4	4	4	4	4	4	4	4	12	12	4	4
	4cm	5	6	5	6	5	6	5	6	-	-	5	6
	3cm	7	7	-	-	-	-	7	7	-	-	-	-
	4cm	8	9	-	-	-	-	8	9	-	-	-	-
	3cm	10	-	10	-	-	-	10	-	-	-	-	-
	4cm	11	-	11	-	-	-	11	-	-	-	-	-
	3cm	7	-	7	-	7	-	7	-	12	-	7	-
	4cm	8	-	8	-	8	-	8	-	-	-	8	-
	3cm	1	-	1	-	1	-	1	-	12	-	1	-
	4cm	2	-	2	-	2	-	2	-	-	-	2	-

1	1495958	(Fixation kit handrim, 3 cm)	2
2	1495959	DRIVRINGSFESTE KIT STD KUSCGHALL HJUL 4CM	2
3	1495961	(Fixation kit handrim, 4 cm with spokes guard)	2
4	1496019	FIKSERINGSKIT FOR DRIVRING HIGH PERFORM 3	2
5	1496020	(Fixation kit handrim for High Performance wheel, 4 cm)	2
6	1497111	(Fixation kit handrim for High Performance wheel, 4 cm with spokes guard)	2
7	1496015	(Fixation kit handrim for Mountain bike wheel, 3 cm)	2
8	1496016	(Fixation kit handrim for Mountain bike wheel, 4 cm)	2
9	1496018	(Fixation kit handrim for Mountain bike wheel, 4 cm with spokes guard)	2
10	1418931	DISTANSEKIT 3 CM DRIVRING SPIDER WHEEL	2
11	1418932	DISTANSEKIT 4 CM DRIVRING SPIDER WHEEL	2
12	1570759	(Fixation kit handrim Tetra, 3 cm)	2

# (Tyre)

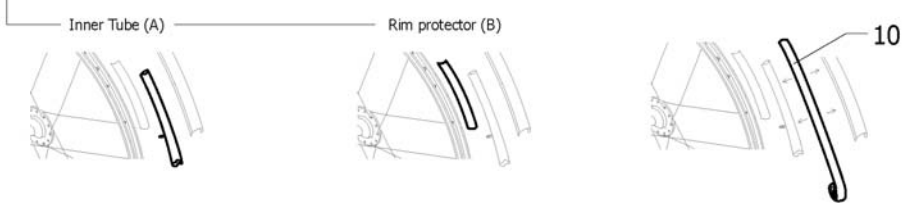
	22"			24"			25"			26"							
	22"	24"	25"	26"	22"	24"	24"	25"	26"	24"	22"	24"	24"	24"	22"	24"	26"
Küschall Räder	1	5	-	15	2	6	7	-	16	-	3	9	10	11	4	12	17
High Performance	-	5	13	-	-	6	7	14	-	-	-	-	-	-	-	12	-
Mountainbike	-	-	-	-	-	-	-	-	-	8	-	-	-	-	-	-	-
Spiderwheel	-	5	-	-	-	6	7	-	-	-	-	9	10	11	-	12	-
Spinergy	-	5	13	-	-	6	7	14	-	-	-	-	-	-	-	12	-
Drumbrake	1	5	13	15	2	6	7	14	16	-	3	9	10	11	4	12	17



Acc.	-	(Inner tube and rim protector)	1	
1	1570776	(Tyre Lightwall 22") <i>Replaces 728.1027</i>	2	
2	1570836	(Treaded tyre 22") <i>Replaces 1493768</i>	2	
3	1570837	(Solid tyre 22", light, grey) <i>Replaces 728.1031</i>	2	
4	1570790	(Indoor sports tyre 22" / 10 bar)  <i>Replaces 729.1006</i>	2	01.01.2004 → 30.06.2010
5	1570828	(Tyre Light wall 24") <i>Replaces 1424749</i>	2	
6	1570829	(Treaded Tyre 24") <i>Replaces 728.1002</i>	2	
7	1570838	DEKK 24 MARATHON KUSHALL PKT SIKKER <i>Replaces 1438521</i>	2	01.07.2006 →
8	1570830	(Tyre Mountain bike, 24") <i>Replaces 1420887</i>	2	
9	1570839	DEKK 24 MASSE GRÅ R-401 FINT MØNSTER.KUSCHAL <i>Replaces 728.1032</i>	2	
10	1570831	DEKK 24 MASSIV GRÅ GROVT MØNSTER <i>Replaces 728.1029</i>	2	
11	1570840	(KIK-Type 24", black, fail-safe) <i>Replaces 728.1015</i>	2	
12	1570832	DEKK 24 HØYTRYKK 10 BAR INDOOR SPORT <i>Replaces 729.1001</i>	2	
13	1570833	(Tyre Lightwall 25") <i>Replaces 1420888</i>	2	
14	1570841	(Tyre 25" Marathon Evolution) <i>Replaces 1493769</i>	2	01.07.2006 →
15	1570834	(Tyre Lightwall 26") <i>Replaces 728.1007</i>	2	
16	1570842	(Tyre 26" Marathon Evolution) <i>Replaces 1517977</i>	2	14.11.2008 →
17	1570835	(Indoor sports tyre 26" / 10 bar) <i>Replaces 729.1002</i>	2	

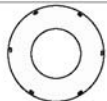











**(Inner tube and rim protector)**

		22"		24"		25"		26"		24"		22"		24"		26"	
Küschall Räder	A	1	2	-	5	1	2	2	-	5	-	-	-	-	-	-	-
	B	6	7	-	9	6	7	7	-	9	-	6	7	7	7	6	7
High Performance	A	-	2	4	-	-	2	2	4	-	-	-	-	-	-	-	-
	B	-	8	8	-	-	8	8	8	-	-	-	-	-	-	-	-
Mountainbike	A	-	-	-	-	-	-	-	-	3	-	-	-	-	-	-	-
	B	-	-	-	-	-	-	-	-	6	-	-	-	-	-	-	-
Spiderwheel	A	-	2	-	-	-	2	2	-	-	-	-	-	-	-	-	-
	B	-	7	-	-	-	7	7	-	-	-	7	7	7	-	7	-
Spinergy	A	-	2	4	-	-	2	2	4	-	-	-	-	-	-	-	-
	B	-	8	8	-	-	8	8	8	-	-	8	8	8	-	8	-
Drumbrake	A	1	2	-	5	1	2	2	-	5	-	-	-	-	-	-	-
	B	6	7	-	9	6	7	7	-	9	-	6	7	7	7	6	7


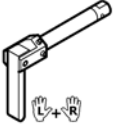
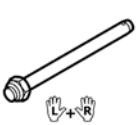





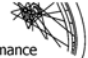








1	1570848	(Inner Tube 22" x 1") <i>Replaces 727.1007</i>	2
2	1570849	SLANGE 24"X1 <i>Replaces 727.1002</i>	2
3	1570852	(Inner tube for Mountain bike) <i>Replaces 1420884</i>	2
4	1570851	(Inner tube 26" for High-Performance wheel) <i>Replaces 1430886</i>	2
5	1570850	(Inner Tube 26" x 1") <i>Replaces 727.1003</i>	2
6	1570844	(Rim protection 22") <i>Replaces 726.1005</i>	2
7	1570845	(Rim protection 24" Large) <i>Replaces 726.1008.000</i>	2
8	1495962	(Rim Protection for High Performance / Spinergy wheel)	2
9	1570846	(Rim protection 26") <i>Replaces 726.1003</i>	2
10	1571072	(Rear wheel inset anti-flat for 20,22,24,26" tyre) <i>Replaces 1424917</i>	2

# (Spokes guard)

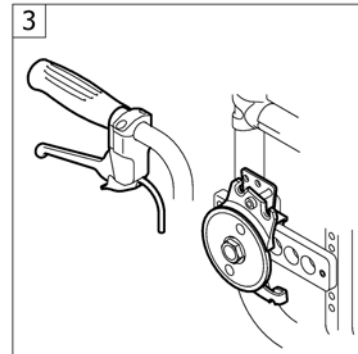
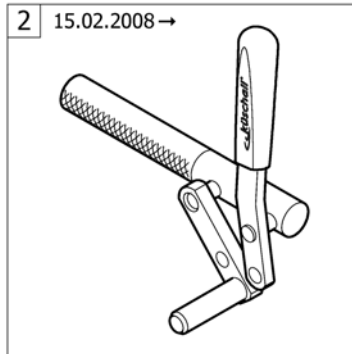
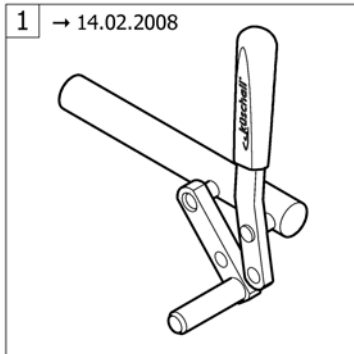
										
	22"	24"	26"	24"	24"	24"	24"	24"	22"	24"
 Küschall wheel	1	2	3	4	5	6	7	8	9	10
 High Performance	-	2	-	4	5	6	7	8	-	10
 Mountainbike	1	-	-	-	-	-	-	-	9	-
 Spiderwheel	-	-	-	-	-	-	-	-	-	-
 Spinerger	-	2	-	4	5	6	7	8	-	10
 Drumbrake	1	2	3	4	5	6	7	8	9	10

1	1564453	(Spokes guard Transparent 22") <i>Replaces 736.1005</i>	2
2	1564457	EIKEBESKYTTER 24 TRANSPERENT KUSCHALL <i>Replaces 736.1004</i>	2
3	1564492	EIKEBESKYTTER 26 TRANSPARENT <i>Replaces 736.1003</i>	2
4	1564456	(Spokes guard Küschall, black 24") <i>Replaces 736.1002</i>	2
5	1564459	(Spokes guard Carbon 24") <i>Replaces 736.1014</i>	01.01.2004 → 31.12.2012 2
6	1564462	(Spokes guard Switzerland 24") <i>Replaces 1497108</i>	01.01.2007 → 2
7	1564463	(Spokes guard Pirates 24") <i>Replaces 1497109</i>	01.01.2007 → 2
8	1564460	(Spokes guard Boa Boa 24") <i>Replaces 736.1015</i>	01.01.2004 → 31.12.2009 2

	 L+R	 L+R	 L+R	 L+R	Küschall wheel		
							
 Küschall wheel	1	2	3	7		✓	✓
 High Performance	1	2	3	7		x	✓
 Mountainbike	1	2	3	7		✓	✓
 Spiderwheel	-	2	3	8			
 Spinergy	5	6	-	7			
 Drumbrake	4	-	-	8			

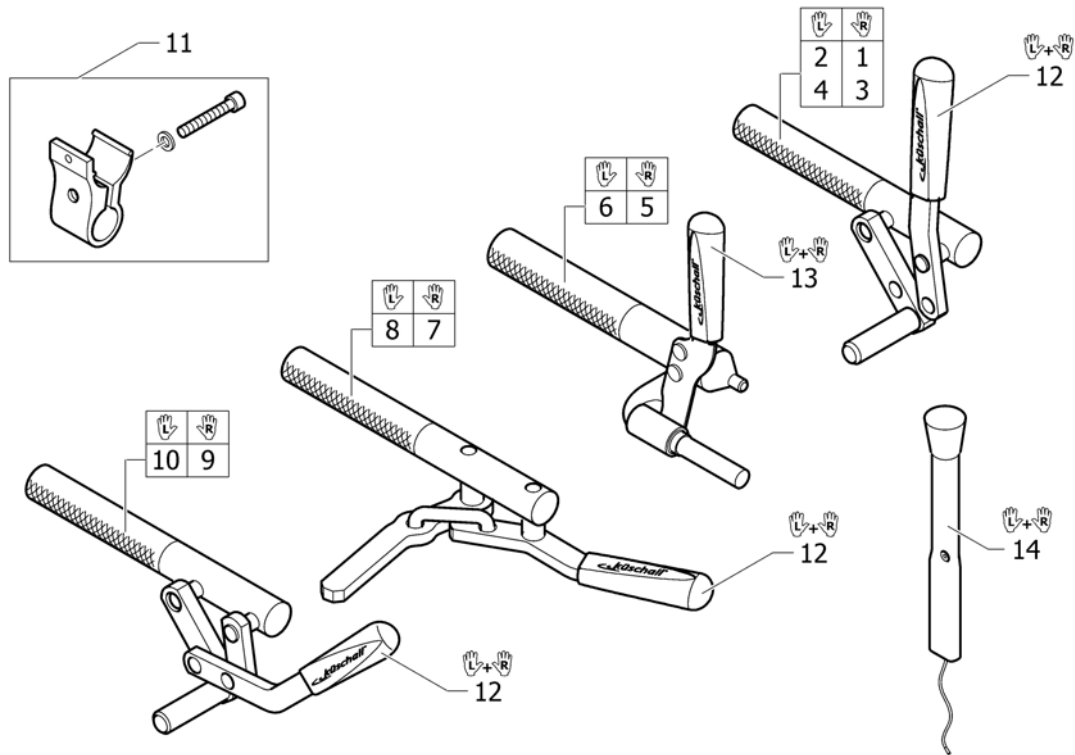
1	1509137-0004	HURTIGKOBLINGSBOLT L 128 M SORT KNAPP KUSCHAL PAR	01.01.2010 →	1
1	1509137-0400	HURTIGKOBLING LANG KNAPP TECNO PAR	01.01.2008 →	1
1	1509137-0401	HURTIGKOBLING LANG KNAPP SITRON PAR	01.01.2008 →	1
1	1509137-0404	HURTIGKOBLING LANG KNAPP B-BLÅ PAR	01.01.2008 →	1
1	1509137-0407	HURTIGKOBLINGSBOLT L 128 FARGELØS KNAPP KUSCH.PAR	01.01.2008 →	1
1	1509137-0440	HURTIGKOBLING LANG KNAPP COMET PAR	01.01.2008 →	1
2	1493755	HURTIGKOBLINGSBOLT L 128 TETRA KUSCHALL		1
3	1512031	QR LONG AKSEL PAR	01.01.2004 → 30.06.2010	1
4	1571103	(Quickrelease axle for drum brake, pair) <i>Replaces 1438987</i>		1
5	1507627	QR AKSEL FOR SPINERGY HJUL PAR		1
6	1512029	HURTIGKOBLINGSAKSEL HURT IGTKOBLING AKSEL AKSEL LA		1
7	1571069	(Bearing R8-2RS 1/2"/1.1/8"x5/16", pair)		2
8	1571070	(Bearing for Spider wheel, pair)		2

**(BRAKES)**



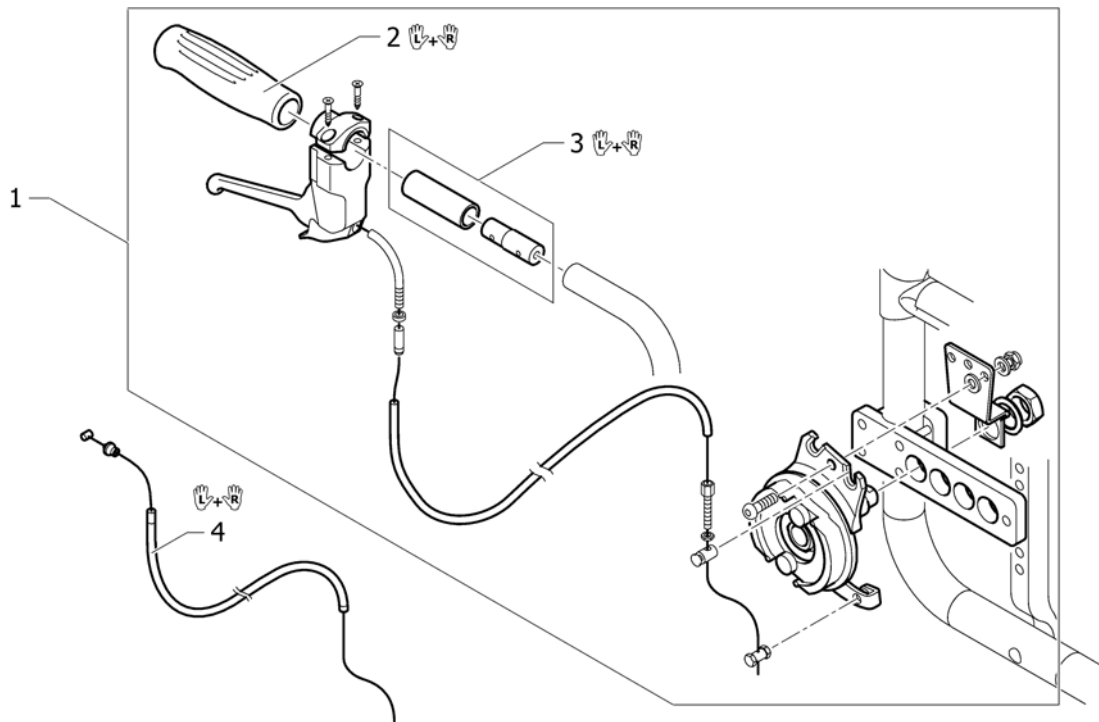

---

2	-	(Brakes 15.02.2008=>)	15.02.2008 → 31.12.2012	1
3	-	(Drum brake)	01.01.2004 → 31.12.2012	1

**(Brakes 15.02.2008=>)**

1	1512128	BREMSESPAK RETT HØ STD COUL NY 150208	1
2	1512127	BREMSESPAK RETT VE STD COUL FRA 150208	1
3	1512126	BREMS SPAK FORMET HØ STD COUL FRA 150208	1
4	1512125	BREMS SPAK FORMET VE STD COUL FRA 150208	1
5	1512132	BREMS PERFORMANCE HØ DEL UTEN KLEMME FRA 150208	1
6	1512131	BREMS PERFORMANCE VE UTEN KLEMME FRA 150208	1
7	1512134	BREMS SAKSE HØ KUSCHALL FRA 150208	1
8	1512133	BREMS SAKSE VE KUSCHALL FRA 150208	1
9	1512130	BREMS DRA FOR Å LÅSE HØ STD ULCPAKID FRA 150208	1
10	1512129	BREMS DRA FOR Å LÅSE VE STD ULCPAKID FRA 150208	1
11	1513363	KLEMME BREMS KPL COUL 110708 STK	2
12	1513177	HÅNDTAK BREMS PAR KUSCHALL <i>Replaces 1432056</i>	1
13	1513178	HÅNDTAK BREMS PERFORMANCE PAR KUSCHALL <i>Replaces 1432055</i>	1
14	1513179	BREMSEFORLENGER PAR KUSCHALL K-JUN COMPACT <i>Replaces 901.1095</i>	1

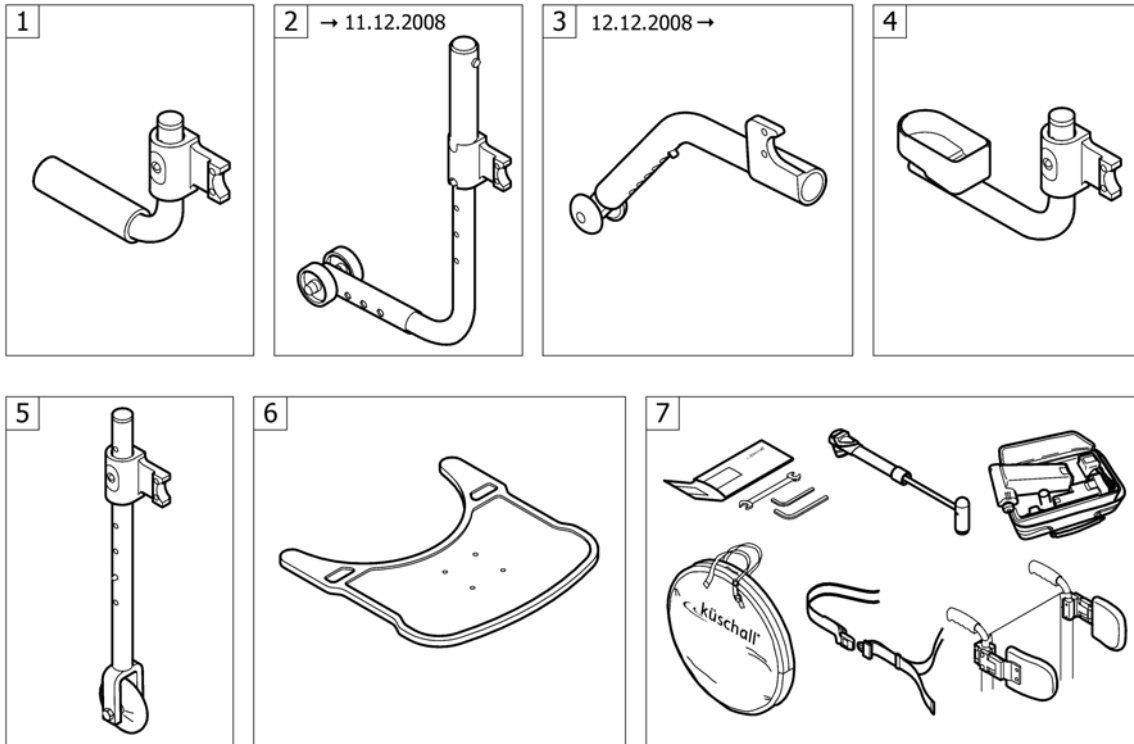
## (Drum brake)



1	1439456	LEDSAGERBREMS KIT LIFE 2004 PAR2004->U/1445496	1
2	1507734	KJØREHÅNDTAK SVART PLAST PAR KUSCHALL	1
3	1527108	KØREHANDTAKS FORLENGER ASSMAN BREMS KUSCHALL	1
4	1564310	WIRE TIL LEDESAGERBEMS	1

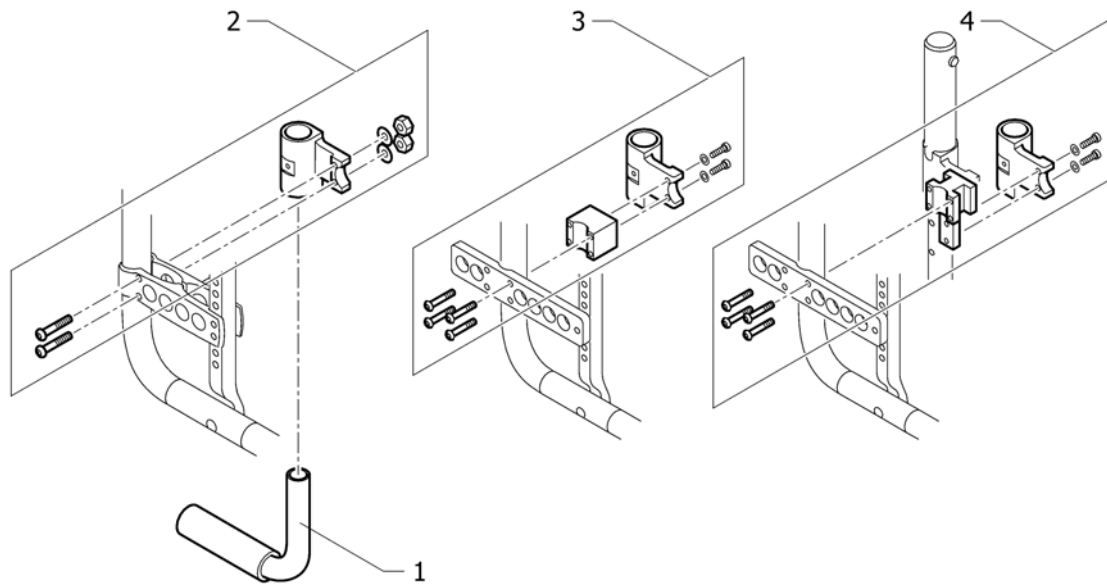


**(OPTIONS & ACCESSORIES)**



1	-	(Tipper aid)	01.01.2004 → 31.12.2012	1
3	-	(Antitipper 12.12.2008=>)	12.12.2008 → 31.12.2012	1
4	-	(Cane holder)	01.01.2004 → 31.12.2012	1
5	-	(Transit wheels)	01.01.2004 → 31.12.2012	1
6	-	(Therapy table)	01.01.2004 → 31.12.2012	1
7	-	(Chair accessories)	01.01.2004 → 31.12.2012	1

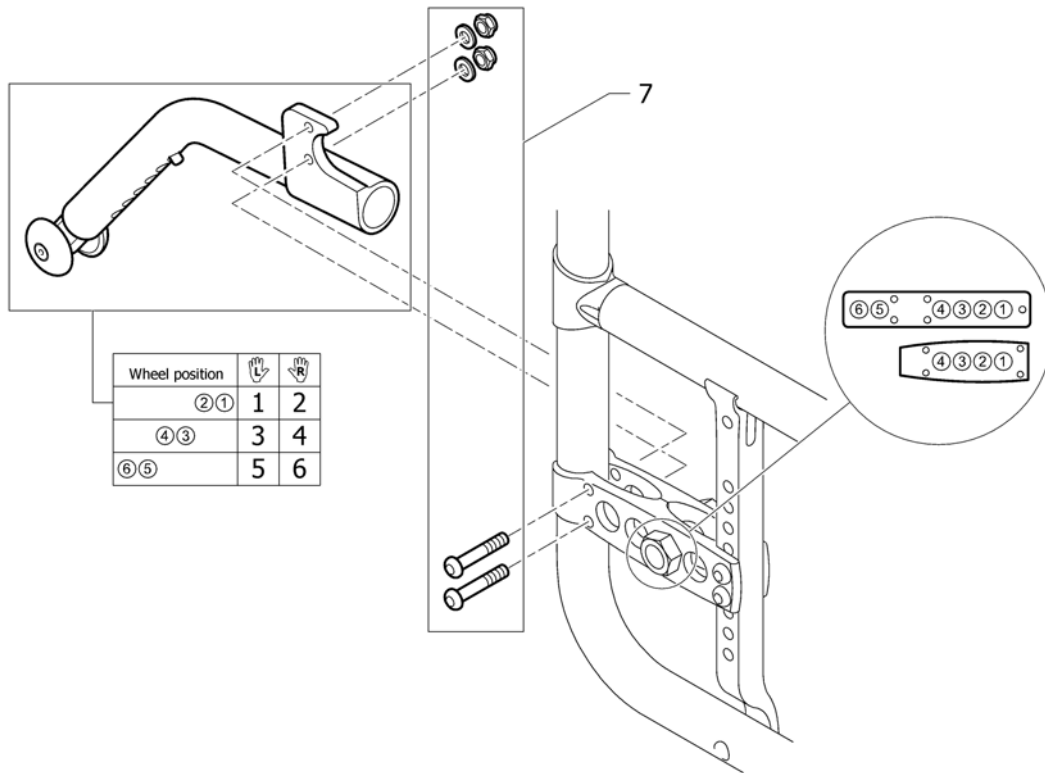
**(Tipper aid)**




---

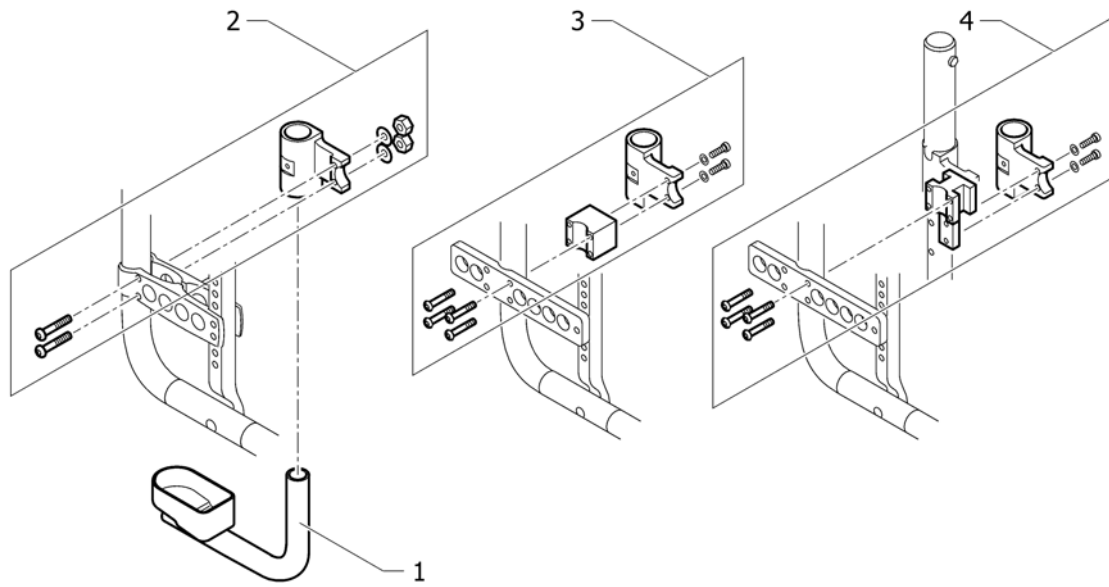
1	1438213	VIPPERØR U/HOLDER 1438217 CO UL 2004->	1
2	1438217	FESTE/HOLDER TIL KRYKKEH M/SKRUER CO UL	1
3	1439468	HOLDER FOR TIPPESIKRING ENKEL COMPACT ULIGHT	2
4	1439467	HOLDER DOBBEL FOR TIPPES EN SIDE UL/CO	2

**(Antitipper 12.12.2008=>)**



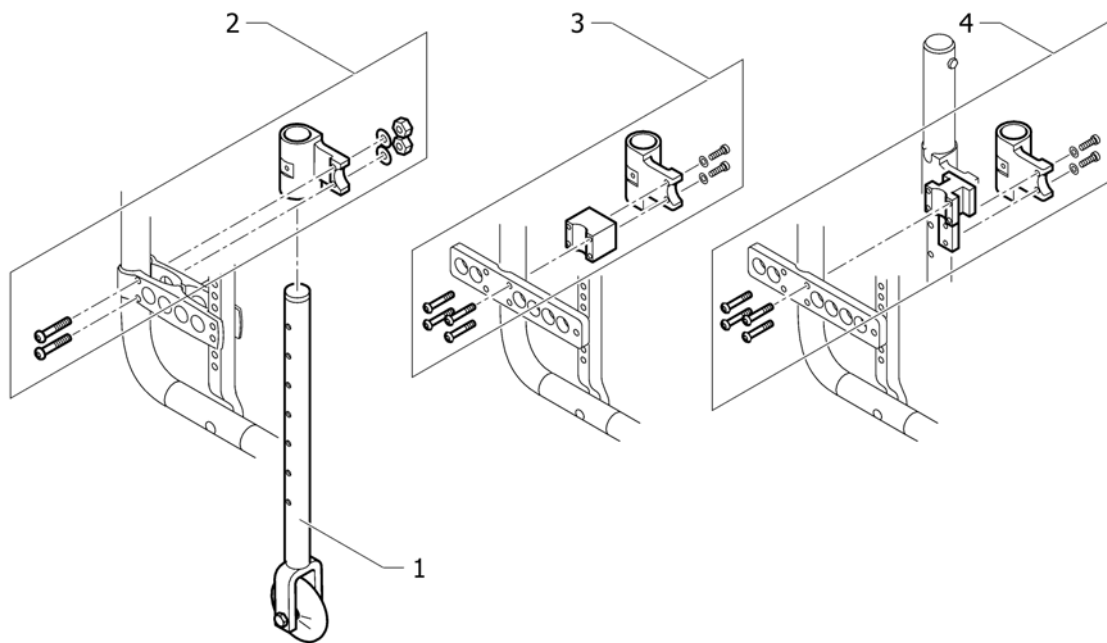
1	1524910	TIPPESIKRING VE KPL HREG KORT HØ CO UL	1
2	1524909	TIPPESIKRING HØ KPL HREG KORT HØ CO UL	1
3	1524912	TIPPESIKRING VENSTRE MED COMPACT FRA DES 08	1
4	1524911	TIPPESIKRING HØYRE MED COMPACT FRA DES 08	1
5	1524914	TIPPESIKRING VE KP LHREG OPPFEL SVINGB VE CO UL	1
6	1524913	TIPPESIKRING HØ KPL HREG OPPFEL SVINGB HØ CO UL	1
7	1445447	FESTE FOR TIPPESIKRING UL/CO	1

**(Cane holder)**



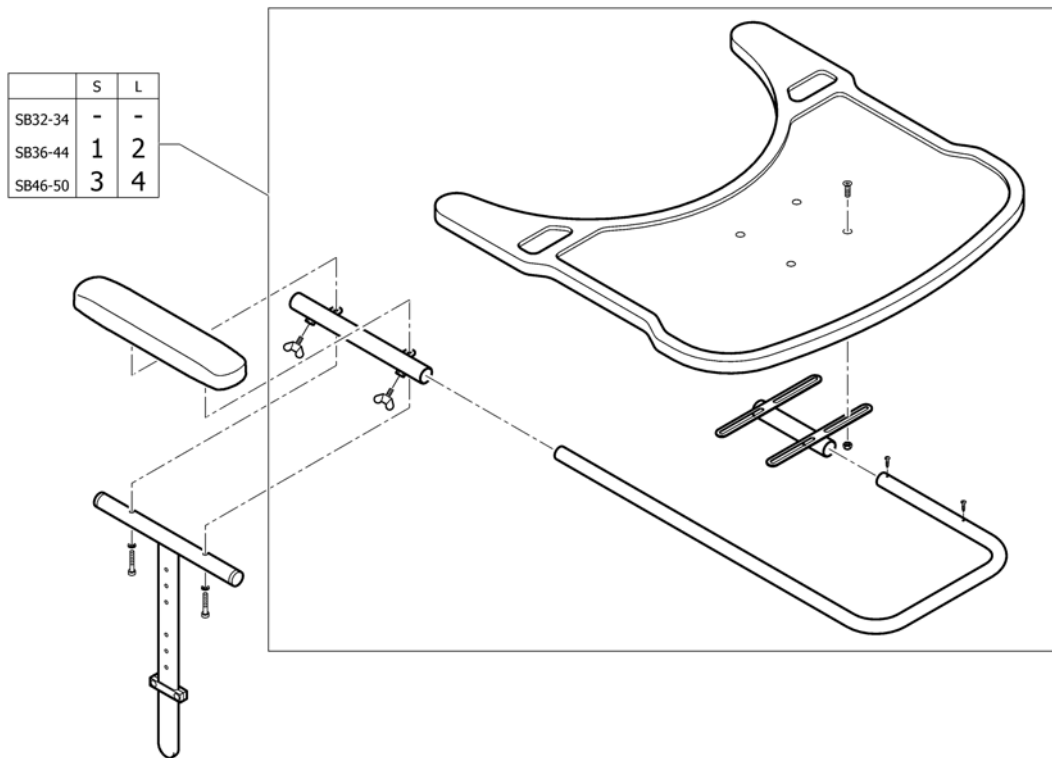
1	1438214	KRYKKEHOLDER U/FESTE 1438217 ULCPAK 2004->	1
2	1438217	FESTE/HOLDER TIL KRYKKEH M/SKRUER CO UL	1
3	1439468	HOLDER FOR TIPPESIKRING ENKEL COMPACT ULIGHT	2
4	1439467	HOLDER DOBBEL FOR TIPPES EN SIDE UL/CO	2

**(Transit wheels)**



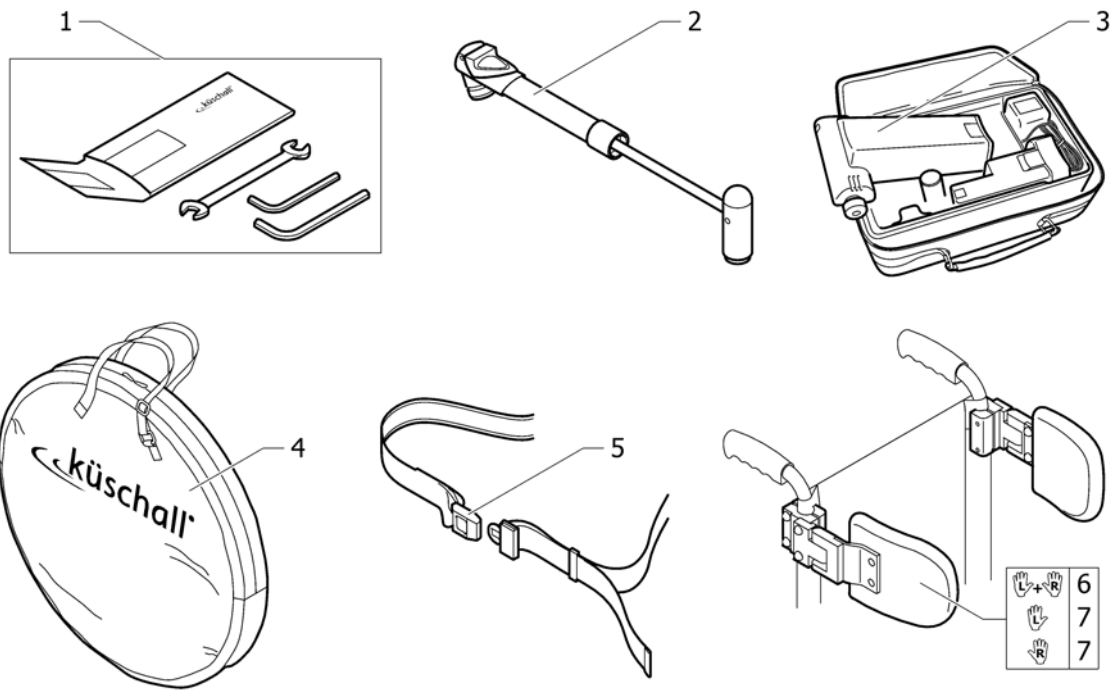
1	1438215	TRANSPORTHJUL PAR CO UL	1
2	1438217	FESTE/HOLDER TIL KRYKKEH M/SKRUER CO UL	1
3	1439468	HOLDER FOR TIPPESIKRING ENKEL COMPACT ULIGHT	2
4	1439467	HOLDER DOBBEL FOR TIPPES EN SIDE UL/CO	2

## (Therapy table)



1	1439492	BORD MEDIUM KUSCHALL CO SB36-44 KORT POLSTER	1
2	1438374	BORD TERAPI M KPL SB 36-44 LANG POLSTER	1
3	1439493	BORD TERAPI L KPL FOR ARMLEN KORT	1
4	1438375	BORD TERAPI L KPL TIL SB 46-50 LANG POLSTER	1

**(Chair accessories)**



1	1518285	VERKTØYSETT KUSCHALL <i>Replaces 800.1013</i>	1
2	1517924	(Air pump) <i>Replaces 800.1013</i>	1
3	1518286	(Air man) <i>Replaces 801.1006.000</i>	1
4	1518287	VESKE FOR 24 OG 26 HJUL KÜSCHALL LOGO <i>Replaces 1420922</i>	1
5	1518288	HOFTEBELTE M LÅSEMEK K-JUNIOR	1
6	1518289	SIDESTØTTE PAR COMPACT	1
7	1564299	SIDESTØTTE hø/ve COMPACT	2



Yes, you can.®



---

**Belgium & Luxemburg:**

Invacare nv, Autobaan 22, B-8210 Loppem  
Tel: (32) (0)50 83 10 10, Fax: (32) (0)50 83 10 11  
belgium@invacare.com / www.invacare.be

**Denmark:**

Invacare A/S, Sdr. Ringvej 37, DK-2605 Brøndby  
Tel: (45) (0)36 90 00 00, Fax: (45) (0)36 90 00 01  
denmark@invacare.com / www.invacare.dk

**Deutschland:**

Invacare Aquatec GmbH, Alemannenstraße 10, D-88316 Isny  
Tel: (49) (0)75 62 7 00 0, Fax: (49) (0)75 62 7 00 66  
info@invacare-aquatec.com / www.invacare-aquatec.de

**European Distributor Organisation:**

Invacare, Kleiststraße 49, D-32457 Porta Westfalica  
Tel: (49) (0)57 31 754 540, Fax: (49) (0)57 31 754 541  
edo@invacare.com / www.invacare.eu.com

**España:**

Invacare SA, c/Areny s/n, Polígon Industrial de Celrà, E-17460 Celrà (Girona)  
Tel: (34) (0)972 49 32 00, Fax: (34) (0)972 49 32 20  
contactsp@invacare.com / www.invacare.es

**France:**

Invacare Poirier SAS, Route de St Roch, F-37230 Fondettes  
Tel: (33) (0)2 47 62 64 66, Fax: (33) (0)2 47 42 12 24  
contactfr@invacare.com / www.invacare.fr

**Ireland:**

Invacare Ireland Ltd, Unit 5 Seatown Business Campus, Seatown Road, Swords, County Dublin - Ireland  
Tel: (353) 1 810 7084, Fax: (353) 1 810 7085  
ireland@invacare.com / www.invacare.ie

**Italia:**

Invacare Mecc San s.r.l., Via dei Pini 62, I-36016 Thiene (VI)  
Tel: (39) 0445 38 00 59, Fax: (39) 0445 38 00 34  
italia@invacare.com / www.invacare.it

**Nederland:**

Invacare BV, Celsiusstraat 46, NL-6716 BZ Ede  
Tel: (31) (0)318 695 757, Fax: (31) (0)318 695 758  
nederland@invacare.com, csede@invacare.com / www.invacare.nl

**Norge:**

Invacare AS, Grensesvingen 9, Postboks 6230, Etterstad, N-0603 Oslo  
Tel: (47) (0)22 57 95 00, Fax: (47) (0)22 57 95 01  
norway@invacare.com, island@invacare.com / www.invacare.no

**Österreich:**

Invacare Austria GmbH, Herzog Odilostrasse 101, A-5310 Mondsee  
Tel: (43) 6232 5535 0, Fax: (43) 6232 5535 4  
info-austria@invacare.com / www.invacare.at

**Portugal:**

Invacare Lda, Rua Estrada Velha, 949, P-4465-784 Leça do Balio  
Tel: (351) (0)225 1059 46/47, Fax: (351) (0)225 1057 39  
portugal@invacare.com / www.invacare.pt

**Sverige & Suomi:**

Invacare AB, Fagerstagatan 9, S-163 91 Spånga  
Tel: (46) (0)8 761 70 90, Fax: (46) (0)8 761 81 08  
sweden@invacare.com, finland@invacare.com / www.invacare.se

**Switzerland:**

Invacare AG, Benkenstrasse 260, CH-4108 Witterswil  
Tel: (41) (0)61 487 70 80, Fax: (41) (0)61 487 70 81  
switzerland@invacare.com / www.invacare.ch

**United Kingdom:**

Invacare Limited, Pencoed Technology Park, Pencoed, Bridgend CF35 5AQ  
Switchboard Tel: (44) (0)1656 776200, Fax: (44) (0)1656 776201  
Customer services Tel: (44) (0)1656 776222, Fax: (44) (0)1656 776220  
uk@invacare.com / www.invacare.co.uk