

# Spare Parts Catalogue

---

Version: 2016/09/15a NO



küschall® **K-SERIES**



**Yes, you can.®**

## **General Information**

*For any order of spare parts the following information is required:*

- Product type*
- Product name & model*
- Serial Number*
- Part-Number*
- Part-Description*

*Exploded view drawings and code numbers are not contractual and subject to modification, in relation to Invacare® continuous product improvement policy to meet end users needs.*

*The reproduction or use of this work, or of any substantial part of this work, in any form or by any electronic, mechanical or other means, including photocopying, scanning and recording, and in any information storage and retrieval system, including electronic transmission, is forbidden without the prior written permission of Invacare® International Sarl.*



Yes, you can.®

## TABLE OF CONTENTS

---

### Informasjon

(Abbreviations) .....	7
(Frame colours) .....	8
(CPS colours) .....	9

### Chassis

Chassis .....	10
(Frame Aluminium K4 75° standard) .....	11
(Configuration table for frame Aluminium K4 75° standard) .....	15
(Frame Aluminium K4 75° adducted) .....	16
(Configuration table for frame Aluminium K4 75° adducted) .....	18
(Frame Titanium K4 75° standard) .....	19
(Configuration table for frame Titanium K4 75° standard) .....	20
(Frame Carbon K4 75° standard) .....	21
(Configuration table for frame Carbon K4 75° standard) .....	22
(Frame Aluminium AirLite 90° standard) .....	23
(Configuration table for frame Aluminium AirLite 90° standard) .....	27
(Frame Aluminium AirLite 90° adducted) .....	28
(Configuration table for frame Aluminium AirLite 90° adducted) .....	30
(Frame Titanium AirLite 90° standard) .....	31
(Configuration table for frame Titanium AirLite 90° standard) .....	32
(Axle tube Aluminium) .....	33
(Axle tube Carbon) .....	34
(Vario-Ax) .....	35
(Axle holder) .....	36
(Rear wheel extension standard) .....	37
(Rear wheel extension for Vario-Ax) .....	38

### Sete

Sete .....	39
(Seat module) .....	40
(Seat frame, cover standard) .....	42
(Seat frame, cover tension adjustable) .....	46
(Seat frame, cover light) .....	49
(Seat frame, cover light for seat upholstery bag) .....	52
(Seat cushion standard) .....	57
(Seat cushion Alcantara) .....	59

### Rygg

Rygg .....	60
(Backrest (rounded bar)) .....	61
(Lady backrest) .....	63
(Straight bar backrest) .....	64
(Küschall backrest parts for Matrix backs) .....	66
(Backrest cover light) .....	68
(Bands to adjustable backrest) .....	71
(Cover to adjustable backrest) .....	72
(Push handles, height adjustable, rear set) .....	74



Yes, you can.®

## TABLE OF CONTENTS

---

### Fotplater

Fotplater	75
(Footrest standard mounted on frame aluminium short)	76
(Configuration table for footrest standard mounted on frame aluminium short)	78
(Footrest standard mounted on frame aluminium Std. or +5cm)	79
(Configuration table for footrest standard mounted on frame aluminium Std. or +5cm)	81
(Footrest standard mounted on frame Titanium)	82
(Configuration table for footrest standard mounted on frame Titanium)	84
(Footrest standard mounted on frame Carbon)	85
(Configuration table for footrest standard mounted on frame Carbon)	87
(Footrest standard for adducted frame)	88
(Configuration table for footrest standard mounted on adducted frame)	90
(Footrest angle adjustable)	91
(Configuration table for footrest angle adjustable)	93
(Footrest angle adjustable for adducted frame)	94
(Configuration table for footrest angle adjustable mounted on adducted frame)	95
(Footrest highmounted)	96
(Footrest highmounted for adducted frame)	97
(Footrest flip-to-side)	98
(Configuration table for footrest flip-to-side)	99
(Calf strap)	100

### Armlen

Armlen	101
(Clothes-guards carbon)	102
(Configuration table clothes-guard carbon)	103
(Clothes-guards economy)	104
(Configuration table clothes-guard economy)	105
(Mudguards carbon)	106
(Configuration and size table mudguards carbon)	107
(Mudguards economy)	108
(Configuration table mudguards Economy)	109
(Siderest height adjustable)	110
(Tubular armrest)	111

### Svinghjul

Svinghjul	112
(Front forks standard)	113
(Configuration table for front fork size)	115
(Front wheels)	116

### Drivhjul

Drivhjul	118
(24" Kuschall rear wheels complete)	119
(26" Kuschall rear wheels complete)	122
(High Performance wheel)	125
(Mountainbike wheel)	127
(Ultra-light fibre wheel)	128



Yes, you can.®

## TABLE OF CONTENTS

---

(Spinergy wheel) .....	129
(Spinergy L XK wheel) .....	130
(Economy wheel 01.07.2014=>) .....	131
(Spider wheel) .....	132
(Hub brake wheel) .....	133
(Handrim) .....	134
(Fixation handrim) .....	136
(Tyre) .....	137
(Inner tube and rim protector) .....	138
(Spokes guard) .....	139
(Quick release axle and bearing) .....	140

### Bremser

Bremser .....	141
(Brakes) .....	142
(One arm brake) .....	143

### Sikkerhetsutstyr

Sikkerhetsutstyr .....	144
(Seatbelt for transportation) .....	145

### Setetilbehør

Setetilbehør .....	146
(Suspension) .....	147
(Seat upholstery bag) .....	148
(Seat frame bag) .....	149

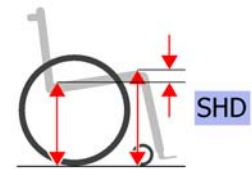
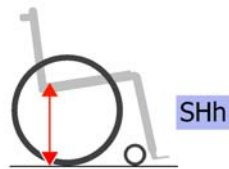
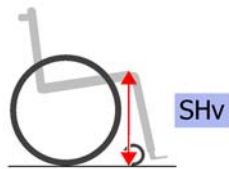
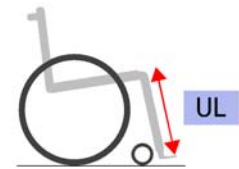
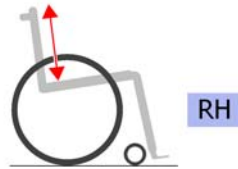
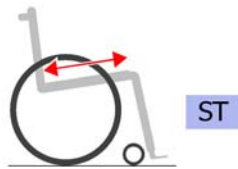
### Alternativ fremdrift valg

Alternativ fremdrift valg .....	150
(One arm drive) .....	151

### Tilbehør og valg

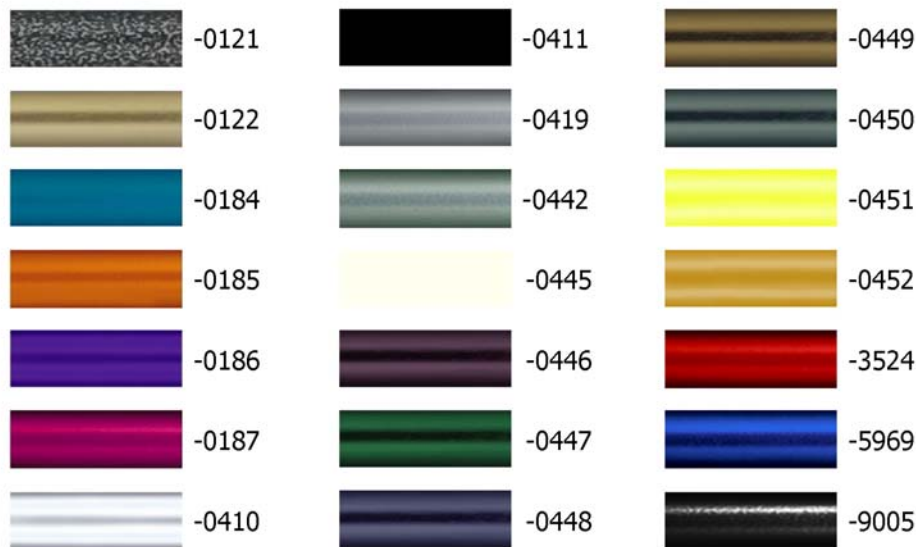
Tilbehør og valg .....	152
(Antitipper) .....	153
(Active Antitipper) .....	154
(Transit wheel) .....	155
(Luggage holder) .....	156
(Winter accessories) .....	157
(Chair accessories) .....	158
(Fixation: screws, ...) .....	159
(Socket head cap screws) .....	160
(Countersunk screws) .....	163
(Button head screws) .....	165
(Hex-head screws, diverse, ...) .....	167
(Washers) .....	169
(Nuts) .....	171
(Pins, rivets, ...) .....	173





L	-	(Left side (sitting in the wheelchair))	0
R	-	(Right side (sitting in the wheelchair))	0
L+R	-	(Left and right sides (pair))	0
SB	-	(Seat width (2 digits in cm or 3 digits in mm))	0
ST	-	(Seat depth (2 digits in cm or 3 digits in mm))	0
RH	-	(Backrest height (2 digits in cm or 3 digits in mm))	0
UL	-	(Knee-to-heel length (2 digits in cm or 3 digits in mm))	0
SHv	-	(Front seat-to-floor height (2 digits in cm or 3 digits in mm))	0
SHh	-	(Rear seat-to-floor height (2 digits in cm or 3 digits in mm))	0
SHD	-	(Front and rear seat-to-floor height difference (2 digits in cm or 3 digits in mm))	0

## (Frame colours)



-0121	-	(Color code for black-grey rustico frames)	01.01.2012 → 31.12.2014	0
-0122	-	(Color code for golden beach frames)	01.01.2013 → 31.12.2014	0
-0184	-	(Color code for mercury blue frames)	01.01.2015 →	0
-0185	-	(Color code for dynamite orange frames)	01.01.2015 →	0
-0186	-	(Color code for atomic violet frames)	01.01.2015 →	0
-0187	-	(Color code for nitro pink frames)	01.01.2015 →	0
-0410	-	(Color code for polished frames)		0
-0411	-	(Color code for black matt frames)		0
-0419	-	(Color code for silver grey frames)		0
-0442	-	(Color code for night shimmer frames)		0
-0445	-	(Color code for ivory white frames)		0
-0446	-	(Color code for purple fire frames)		0
-0447	-	(Color code for emerald green frames)	01.11.2010 → 31.12.2012	0
-0448	-	(Color code for midnight blue frames)	01.11.2010 → 31.12.2012	0
-0449	-	(Color code for umber glaze frames)	01.11.2010 → 31.12.2014	0
-0450	-	(Color code for smokey grey frames)		0
-0451	-	(Color code for flashy yellow frames)		0
-0452	-	(Color code for terra magic frames)	01.11.2010 → 31.12.2011	0
-3524	-	(Color code for royal red frames)		0
-5969	-	(Color code for royal blue frames)		0
-9005	-	(Color code for glossy black frames)		0

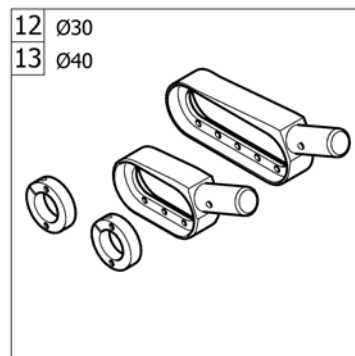
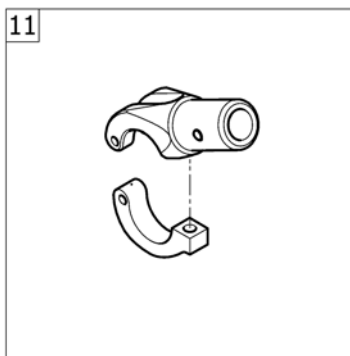
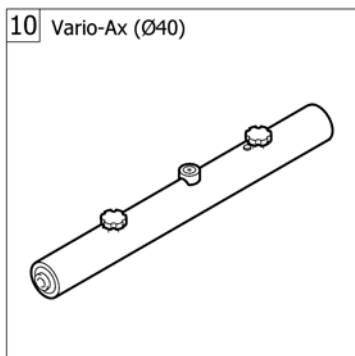
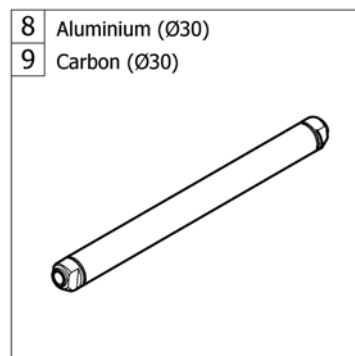
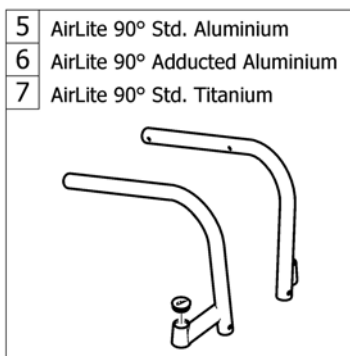
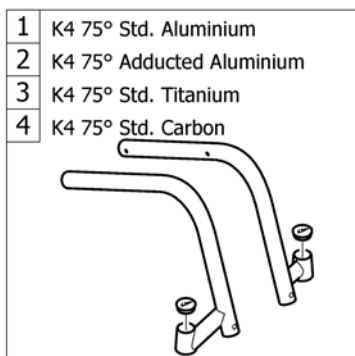





---

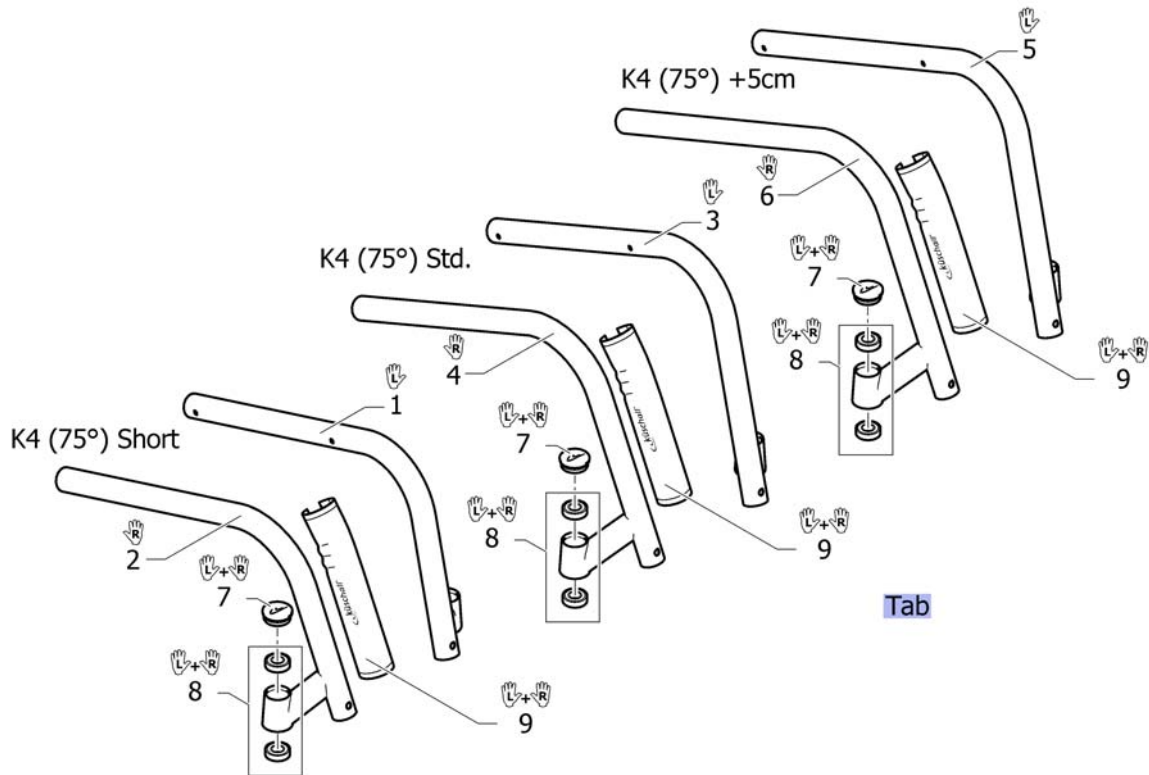
-0004	-	(Color code for black anodized CPS)		0
-0001	-	(Color code for chrome CPS)		0
-0182	-	(Color code for champagne CPS)	01.01.2013 →	0
-0183	-	(Color code for olive CPS)	01.01.2013 →	0
-0400	-	(Color code for techno-anthrazit CPS)		0
-0401	-	(Color code for lemon CPS)	01.11.2010 → 31.12.2012	0
-0402	-	(Color code for apricot CPS)	01.11.2010 → 31.12.2012	0
-0404	-	(Color code for b-blue CPS)		0
-0440	-	(Color code for comet red CPS)		0
-0441	-	(Color code for arctic blue CPS)		0
-0444	-	(Color code for copper glaze CPS)		0

# Chassis



1	-	(Frame Aluminium K4 75° standard)	1
2	-	(Frame Aluminium K4 75° adducted)	1
3	-	(Frame Titanium K4 75° standard)	1
4	-	(Frame Carbon K4 75° standard)	1
5	-	(Frame Aluminium AirLite 90° standard)	1
6	-	(Frame Aluminium AirLite 90° adducted)	1
7	-	(Frame Titanium AirLite 90° standard)	1
8	-	(Axle tube Aluminium)	1
9	-	(Axle tube Carbon)	1
10	-	(Vario-Ax)	1
11	-	(Axle holder)	1
12	-	(Rear wheel extension standard)	1
13	-	(Rear wheel extension for Vario-Ax)	1

# (Frame Aluminium K4 75° standard)



Tab	-	(Configuration table for frame Aluminium K4 75° standard)		1
1	1545787-0121	(Front frame K4 short, left, black-grey rustico)	01.01.2012 → 31.12.2014	1
1	1545787-0122	(Front frame K4 short, left, golden beach)	01.01.2013 → 31.12.2014	1
1	1545787-0184	(Front frame K4 short, left, mercury blue)	01.01.2015 →	1
1	1545787-0185	(Front frame K4 short, left, dynamite orange)	01.01.2015 →	1
1	1545787-0186	(Front frame K4 short, left, atomic violet)	01.01.2015 →	1
1	1545787-0187	(Front frame K4 short, left, nitro pink)	01.01.2015 →	1
1	1545787-0410	(Front frame K4 short, left, polished)		1
1	1545787-0411	(Front frame K4 short, left, black, matt)		1
1	1545787-0419	(Front frame K4 short, left, silver grey)		1
1	1545787-0442	(Front frame K4 short, left, night shimmer)		1
1	1545787-0445	(Front frame K4 short, left, ivory white)		1
1	1545787-0446	(Front frame K4 short, left, purple fire)		1
1	1545787-0447	(Front frame K4 short, left, emerald green)	01.11.2010 → 31.12.2012	1
1	1545787-0448	(Front frame K4 short, left, midnight blue)	01.11.2010 → 31.12.2012	1
1	1545787-0449	(Front frame K4 short, left, umber glaze)	01.11.2010 → 31.12.2014	1
1	1545787-0450	(Front frame K4 short, left, smokey grey)		1
1	1545787-0451	(Front frame K4 short, left, flashy yellow)		1
1	1545787-0452	(Front frame K4 short, left, terra magic)	01.11.2010 → 31.12.2011	1
1	1545787-3524	(Front frame K4 short, left, royal red)		1
1	1545787-5969	(Front frame K4 short, left, royal blue)		1
1	1545787-9005	(Front frame K4 short, left, black, glossy)		1
2	1545788-0121	(Front frame K4 short, right, black-grey rustico)	01.01.2012 → 31.12.2014	1
2	1545788-0122	(Front frame K4 short, right, golden beach)	01.01.2013 → 31.12.2014	1
2	1545788-0184	(Front frame K4 short, right, mercury blue)	01.01.2015 →	1

**(Frame Aluminium K4 75° standard)**

2	1545788-0185	(Front frame K4 short, right, dynamite orange)	01.01.2015 →	1
2	1545788-0186	(Front frame K4 short, right, atomic violet)	01.01.2015 →	1
2	1545788-0187	(Front frame K4 short, right, nitro pink)	01.01.2015 →	1
2	1545788-0410	(Front frame K4 short, right, polished)		1
2	1545788-0411	(Front frame K4 short, right, black, matt)		1
2	1545788-0419	(Front frame K4 short, right, silver grey)		1
2	1545788-0442	(Front frame K4 short, right, night shimmer)		1
2	1545788-0445	(Front frame K4 short, right, ivory white)		1
2	1545788-0446	(Front frame K4 short, right, purple fire)		1
2	1545788-0447	(Front frame K4 short, right, emerald green)	01.11.2010 → 31.12.2012	1
2	1545788-0448	(Front frame K4 short, right, midnight blue)	01.11.2010 → 31.12.2012	1
2	1545788-0449	(Front frame K4 short, right, umber glaze)	01.11.2010 → 31.12.2014	1
2	1545788-0450	(Front frame K4 short, right, smokey grey)		1
2	1545788-0451	(Front frame K4 short, right, flashy yellow)		1
2	1545788-0452	(Front frame K4 short, right, terra magic)	01.11.2010 → 31.12.2011	1
2	1545788-3524	(Front frame K4 short, right, royal red)		1
2	1545788-5969	(Front frame K4 short, right, royal blue)		1
2	1545788-9005	(Front frame K4 short, right, black, glossy)		1
3	1545791-0121	(Front frame K4, left, black-grey rustico)	01.01.2012 → 31.12.2014	1
3	1545791-0122	(Front frame K4, left, golden beach)	01.01.2013 → 31.12.2014	1
3	1545791-0184	(Front frame K4, left, mercury blue)	01.01.2015 →	1
3	1545791-0185	(Front frame K4, left, dynamite orange)	01.01.2015 →	1
3	1545791-0186	(Front frame K4, left, atomic violet)	01.01.2015 →	1
3	1545791-0187	(Front frame K4, left, nitro pink)	01.01.2015 →	1
3	1545791-0410	(Front frame K4, left, polished)		1
3	1545791-0411	(Front frame K4, left, black, matt)		1
3	1545791-0419	(Front frame K4, left, silver grey)		1
3	1545791-0442	(Front frame K4, left, night shimmer)		1
3	1545791-0445	(Front frame K4, left, ivory white)		1
3	1545791-0446	(Front frame K4, left, purple fire)		1
3	1545791-0447	(Front frame K4, left, emerald green)	01.11.2010 → 31.12.2012	1
3	1545791-0448	(Front frame K4, left, midnight blue)	01.11.2010 → 31.12.2012	1
3	1545791-0449	(Front frame K4, left, umber glaze)	01.11.2010 → 31.12.2014	1
3	1545791-0450	(Front frame K4, left, smokey grey)		1
3	1545791-0451	(Front frame K4, left, flashy yellow)		1
3	1545791-0452	(Front frame K4, left, terra magic)	01.11.2010 → 31.12.2011	1
3	1545791-3524	(Front frame K4, left, royal red)		1
3	1545791-5969	(Front frame K4, left, royal blue)		1
3	1545791-9005	(Front frame K4, left, black, glossy)		1
4	1545792-0121	(Front frame K4, right, black-grey rustico)	01.01.2012 → 31.12.2014	1
4	1545792-0122	(Front frame K4, right, golden beach)	01.01.2013 → 31.12.2014	1
4	1545792-0184	(Front frame K4, right, mercury blue)	01.01.2015 →	1
4	1545792-0185	(Front frame K4, right, dynamite orange)	01.01.2015 →	1
4	1545792-0186	(Front frame K4, right, atomic violet)	01.01.2015 →	1
4	1545792-0187	(Front frame K4, right, nitro pink)	01.01.2015 →	1
4	1545792-0410	(Front frame K4, right, polished)		1

**(Frame Aluminium K4 75° standard)**

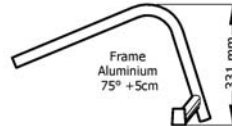
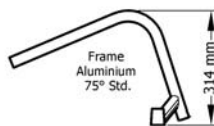
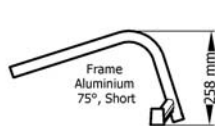
4	1545792-0411	(Front frame K4, right, black, matt)		1
4	1545792-0419	(Front frame K4, right, silver grey)		1
4	1545792-0442	(Front frame K4, right, night shimmer)		1
4	1545792-0445	(Front frame K4, right, ivory white)		1
4	1545792-0446	(Front frame K4, right, purple fire)		1
4	1545792-0447	(Front frame K4, right, emerald green)	01.11.2010 → 31.12.2012	1
4	1545792-0448	(Front frame K4, right, midnight blue)	01.11.2010 → 31.12.2012	1
4	1545792-0449	(Front frame K4, right, umber glaze)	01.11.2010 → 31.12.2014	1
4	1545792-0450	(Front frame K4, right, smokey grey)		1
4	1545792-0451	(Front frame K4, right, flashy yellow)		1
4	1545792-0452	(Front frame K4, right, terra magic)	01.11.2010 → 31.12.2011	1
4	1545792-3524	(Front frame K4, right, royal red)		1
4	1545792-5969	(Front frame K4, right, royal blue)		1
4	1545792-9005	(Front frame K4, right, black, glossy)		1
5	1545795-0121	(Front frame K4 +5, left, black-grey rustico)	01.01.2012 → 31.12.2014	1
5	1545795-0122	(Front frame K4 +5, left, golden beach)	01.01.2013 → 31.12.2014	1
5	1545795-0184	(Front frame K4 +5, left, mercury blue)	01.01.2015 →	1
5	1545795-0185	(Front frame K4 +5, left, dynamite orange)	01.01.2015 →	1
5	1545795-0186	(Front frame K4 +5, left, atomic violet)	01.01.2015 →	1
5	1545795-0187	(Front frame K4 +5, left, nitro pink)	01.01.2015 →	1
5	1545795-0410	(Front frame K4 +5, left, polished)		1
5	1545795-0411	(Front frame K4 +5, left, black, matt)		1
5	1545795-0419	(Front frame K4 +5, left, silver grey)		1
5	1545795-0442	(Front frame K4 +5, left, night shimmer)		1
5	1545795-0445	(Front frame K4 +5, left, ivory white)		1
5	1545795-0446	(Front frame K4 +5, left, purple fire)		1
5	1545795-0447	(Front frame K4 +5, left, emerald green)	01.11.2010 → 31.12.2012	1
5	1545795-0448	(Front frame K4 +5, left, midnight blue)	01.11.2010 → 31.12.2012	1
5	1545795-0449	(Front frame K4 +5, left, umber glaze)	01.11.2010 → 31.12.2014	1
5	1545795-0450	(Front frame K4 +5, left, smokey grey)		1
5	1545795-0451	(Front frame K4 +5, left, flashy yellow)		1
5	1545795-0452	(Front frame K4 +5, left, terra magic)	01.11.2010 → 31.12.2011	1
5	1545795-3524	(Front frame K4 +5, left, royal red)		1
5	1545795-5969	(Front frame K4 +5, left, royal blue)		1
5	1545795-9005	(Front frame K4 +5, left, black, glossy)		1
6	1545796-0121	(Front frame K4 +5, right, black-grey rustico)	01.01.2012 → 31.12.2014	1
6	1545796-0122	(Front frame K4 +5, right, golden beach)	01.01.2013 → 31.12.2014	1
6	1545796-0184	(Front frame K4 +5, right, mercury blue)	01.01.2015 →	1
6	1545796-0185	(Front frame K4 +5, right, dynamite orange)	01.01.2015 →	1
6	1545796-0186	(Front frame K4 +5, right, atomic violet)	01.01.2015 →	1
6	1545796-0187	(Front frame K4 +5, right, nitro pink)	01.01.2015 →	1
6	1545796-0410	(Front frame K4 +5, right, polished)		1
6	1545796-0411	(Front frame K4 +5, right, black, matt)		1
6	1545796-0419	(Front frame K4 +5, right, silver grey)		1
6	1545796-0442	(Front frame K4 +5, right, night shimmer)		1
6	1545796-0445	(Front frame K4 +5, right, ivory white)		1

**(Frame Aluminium K4 75° standard)**

6	1545796-0446	(Front frame K4 +5, right, purple fire)		1
6	1545796-0447	(Front frame K4 +5, right, emerald green)	01.11.2010 → 31.12.2012	1
6	1545796-0448	(Front frame K4 +5, right, midnight blue)	01.11.2010 → 31.12.2012	1
6	1545796-0449	(Front frame K4 +5, right, umber glaze)	01.11.2010 → 31.12.2014	1
6	1545796-0450	(Front frame K4 +5, right, smokey grey)		1
6	1545796-0451	(Front frame K4 +5, right, flashy yellow)		1
6	1545796-0452	(Front frame K4 +5, right, terra magic)	01.11.2010 → 31.12.2011	1
6	1545796-3524	(Front frame K4 +5, right, royal red)		1
6	1545796-5969	(Front frame K4 +5, right, royal blue)		1
6	1545796-9005	(Front frame K4 +5, right, black, glossy)		1
7	1487961-0004	STØVKAPPE GAFFELHUS SORT KUSCHALL K4 PAR		1
7	1487961-0001	(Bearing block cap pair, chrome)		1
7	1487961-0182	(Bearing block cap pair, champagne)	01.01.2013 →	1
7	1487961-0183	(Bearing block cap pair, olive)	01.01.2013 →	1
7	1487961-0400	(Bearing block cap pair, techno-anthrazit)		1
7	1487961-0401	(Bearing block cap pair, lemon)	01.11.2010 → 31.12.2012	1
7	1487961-0402	(Bearing block cap pair, apricot)	01.11.2010 → 31.12.2012	1
7	1487961-0404	STØVKAPPE GAFFELHUS BLÅ KUSCHALL K4 PAR		1
7	1487961-0440	(Bearing block cap pair, comet red)		1
7	1487961-0441	(Bearing block cap pair, arctic blue)		1
7	1487961-0444	(Bearing block cap, pair, copper glaze)		1
8	1451718	KULELAGER KO5 KUSCHALL		1
9	1529372	RAMMEBESKYTTER FRONT KSL		1

## (Configuration table for frame Aluminium K4 75° standard)

i	Rear Wheel 24"			Rear Wheel 25"			Rear Wheel 26"		
	SHv	UL	UL	SHv	UL	UL	SHv	UL	UL
Frame Aluminium 75° Short (258 mm)	SHv 45	UL29 -> UL32	UL33 -> UL42	SHv 46	UL29 -> UL32	UL33 -> UL43	SHv 47	UL29 -> UL32	UL33 -> UL44
	SHv 46	UL29 -> UL33	UL34 -> UL43	SHv 47	UL29 -> UL33	UL34 -> UL44	SHv 48	UL29 -> UL33	UL34 -> UL45
	SHv 47	UL29 -> UL34	UL35 -> UL44	SHv 48	UL29 -> UL34	UL35 -> UL45	SHv 49	UL29 -> UL34	UL35 -> UL46
Frame Aluminium 75° Std. (314 mm)	SHv 48	UL29 -> UL36	UL37 -> UL45	SHv 49	UL29 -> UL36	UL37 -> UL46	SHv 50	UL29 -> UL36	UL37 -> UL47
	SHv 49	UL29 -> UL37	UL38 -> UL46	SHv 50	UL29 -> UL37	UL38 -> UL47	SHv 51	UL29 -> UL37	UL38 -> UL48
	SHv 50	UL29 -> UL38	UL39 -> UL47	SHv 51	UL29 -> UL38	UL39 -> UL48	SHv 52	UL29 -> UL38	UL39 -> UL49
Frame Aluminium 75° +5cm (331 mm)	SHv 50	UL29 -> UL38	UL39 -> UL47	SHv 51	UL29 -> UL38	UL39 -> UL48	SHv 52	UL29 -> UL38	UL39 -> UL49
	SHv 51	UL29 -> UL39	UL40 -> UL48	SHv 52	UL29 -> UL39	UL40 -> UL49	SHv 53	UL29 -> UL39	UL40 -> UL50
	SHv 52	UL29 -> UL40	UL41 -> UL49	SHv 53	UL29 -> UL40	UL41 -> UL50	SHv 54	UL29 -> UL40	UL41 -> UL51

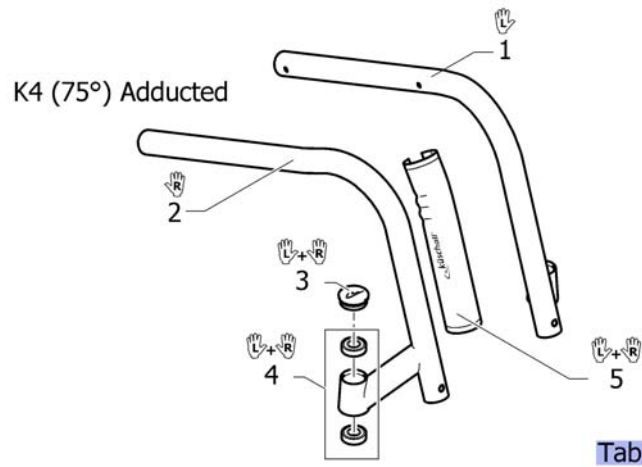


i -

(Type of frame in relation to footrest, knee to heel length (UL), front seat height (SHv) and rear wheel size)

1

# (Frame Aluminium K4 75° adducted)



Tab	-	(Configuration table for frame Aluminium K4 75° adducted)		
1	1545803-0121	(Front frame K4 adducted, left, black-grey rustico)	01.01.2012 → 31.12.2014	1
1	1545803-0122	(Front frame K4 adducted, left, golden beach)	01.01.2013 → 31.12.2014	1
1	1545803-0184	(Front frame K4 adducted, left, mercury blue)	01.01.2015 →	1
1	1545803-0185	(Front frame K4 adducted, left, dynamite orange)	01.01.2015 →	1
1	1545803-0186	(Front frame K4 adducted, left, atomic violet)	01.01.2015 →	1
1	1545803-0187	(Front frame K4 adducted, left, nitro pink)	01.01.2015 →	1
1	1545803-0410	(Front frame K4 adducted, left, polished)		1
1	1545803-0411	(Front frame K4 adducted, left, black, matt)		1
1	1545803-0419	(Front frame K4 adducted, left, silver grey)		1
1	1545803-0442	(Front frame K4 adducted, left, night shimmer)		1
1	1545803-0445	(Front frame K4 adducted, left, ivory white)		1
1	1545803-0446	(Front frame K4 adducted, left, purple fire)		1
1	1545803-0447	(Front frame K4 adducted, left, emerald green)	01.11.2010 → 31.12.2012	1
1	1545803-0448	(Front frame K4 adducted, left, midnight blue)	01.11.2010 → 31.12.2012	1
1	1545803-0449	(Front frame K4 adducted, left, umber glaze)	01.11.2010 → 31.12.2014	1
1	1545803-0450	(Front frame K4 adducted, left, smokey grey)		1
1	1545803-0451	(Front frame K4 adducted, left, flashy yellow)		1
1	1545803-0452	(Front frame K4 adducted, left, terra magic)	01.11.2010 → 31.12.2011	1
1	1545803-3524	(Front frame K4 adducted, left, royal red)		1
1	1545803-5969	(Front frame K4 adducted, left, royal blue)		1
1	1545803-9005	(Front frame K4 adducted, left, black, glossy)		1
2	1545804-0121	(Front frame K4 adducted, right, black-grey rustico)	01.01.2012 → 31.12.2014	1
2	1545804-0122	(Front frame K4 adducted, right, golden beach)	01.01.2013 → 31.12.2014	1
2	1545804-0184	(Front frame K4 adducted, right, mercury blue)	01.01.2015 →	1

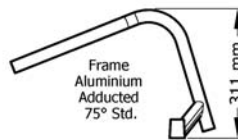


**(Frame Aluminium K4 75° adducted)**

2	1545804-0185	(Front frame K4 adducted, right, dynamite orange)	01.01.2015 →	1
2	1545804-0186	(Front frame K4 adducted, right, atomic violet)	01.01.2015 →	1
2	1545804-0187	(Front frame K4 adducted, right, nitro pink)	01.01.2015 →	1
2	1545804-0410	(Front frame K4 adducted, right, polished)		1
2	1545804-0411	(Front frame K4 adducted, right, black, matt)		1
2	1545804-0419	(Front frame K4 adducted, right, silver grey)		1
2	1545804-0442	(Front frame K4 adducted, right, night shimmer)		1
2	1545804-0445	(Front frame K4 adducted, right, ivory white)		1
2	1545804-0446	(Front frame K4 adducted, right, purple fire)		1
2	1545804-0447	(Front frame K4 adducted, right, emerald green)	01.11.2010 → 31.12.2012	1
2	1545804-0448	(Front frame K4 adducted, right, midnight blue)	01.11.2010 → 31.12.2012	1
2	1545804-0449	(Front frame K4 adducted, right, umber glaze)	01.11.2010 → 31.12.2014	1
2	1545804-0450	(Front frame K4 adducted, right, smokey grey)		1
2	1545804-0451	(Front frame K4 adducted, right, flashy yellow)		1
2	1545804-0452	(Front frame K4 adducted, right, terra magic)	01.11.2010 → 31.12.2011	1
2	1545804-3524	(Front frame K4 adducted, right, royal red)		1
2	1545804-5969	(Front frame K4 adducted, right, royal blue)		1
2	1545804-9005	(Front frame K4 adducted, right, black, glossy)		1
3	1487961-0004	STØVKAPPE GAFFELHUS SORT KUSCHALL K4 PAR		1
3	1487961-0001	(Bearing block cap pair, chrome)		1
3	1487961-0182	(Bearing block cap pair, champagne)	01.01.2013 →	1
3	1487961-0183	(Bearing block cap pair, olive)	01.01.2013 →	1
3	1487961-0400	(Bearing block cap pair, techno-anthrazit)		1
3	1487961-0401	(Bearing block cap pair, lemon)	01.11.2010 → 31.12.2012	1
3	1487961-0402	(Bearing block cap pair, apricot)	01.11.2010 → 31.12.2012	1
3	1487961-0404	STØVKAPPE GAFFELHUS BLÅ KUSCHALL K4 PAR		1
3	1487961-0440	(Bearing block cap pair, comet red)		1
3	1487961-0441	(Bearing block cap pair, arctic blue)		1
3	1487961-0444	(Bearing block cap, pair, copper glaze)		1
4	1451718	KULELAGER KO5 KUSCHALL		1
5	1529372	RAMMEBESKYTTER FRONT KSL		1

# (Configuration table for frame Aluminium K4 75° adducted)

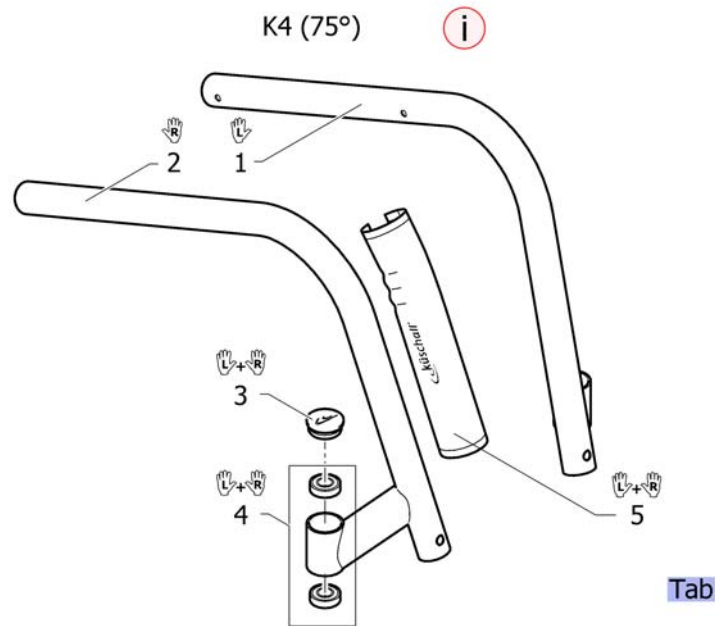
		Rear Wheel 24"		Rear Wheel 25"		Rear Wheel 26"			
 Frame Aluminium Adducted 75° (311 mm)	SHv 48	UL29 -> UL36	UL37 -> UL45	SHv 49	UL29 -> UL36	UL37 -> UL46	SHv 50	UL29 -> UL36	UL37 -> UL47
	SHv 49	UL29 -> UL37	UL38 -> UL46	SHv 50	UL29 -> UL37	UL38 -> UL47	SHv 51	UL29 -> UL37	UL38 -> UL48
	SHv 50	UL29 -> UL38	UL39 -> UL47	SHv 51	UL29 -> UL38	UL39 -> UL48	SHv 52	UL29 -> UL38	UL39 -> UL49



i -

(Type of frame in relation to footrest, knee to heel length (UL), front seat height (SHv) and rear wheel size)

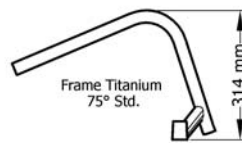
1

**(Frame Titanium K4 75° standard)**

i	-	(Special sleeves for footplates and sleeves for brakes clamping pieces are necessary (See pages footplates and brakes).)		0
Tab	-	(Configuration table for frame Titanium K4 75° standard)		1
1	1545799	(Front frame Titanium K4, 75°, left)		1
2	1545800	(Front frame Titanium K4, 75°, right)		1
3	1487961-0004	STØVKAPPE GAFFELHUS SORT KUSCHALL K4 PAR		1
3	1487961-0001	(Bearing block cap pair, chrome)		1
3	1487961-0182	(Bearing block cap pair, champagne)	01.01.2013 →	1
3	1487961-0183	(Bearing block cap pair, olive)	01.01.2013 →	1
3	1487961-0400	(Bearing block cap pair, techno-anthrazit)		1
3	1487961-0401	(Bearing block cap pair, lemon)	01.11.2010 → 31.12.2012	1
3	1487961-0402	(Bearing block cap pair, apricot)	01.11.2010 → 31.12.2012	1
3	1487961-0404	STØVKAPPE GAFFELHUS BLÅ KUSCHALL K4 PAR		1
3	1487961-0440	(Bearing block cap pair, comet red)		1
3	1487961-0441	(Bearing block cap pair, arctic blue)		1
3	1487961-0444	(Bearing block cap, pair, copper glaze)		1
4	1451718	KULELAGER KO5 KUSCHALL		1
5	1529372	RAMMEBESKYTTER FRONT KSL		1

# (Configuration table for frame Titanium K4 75° standard)

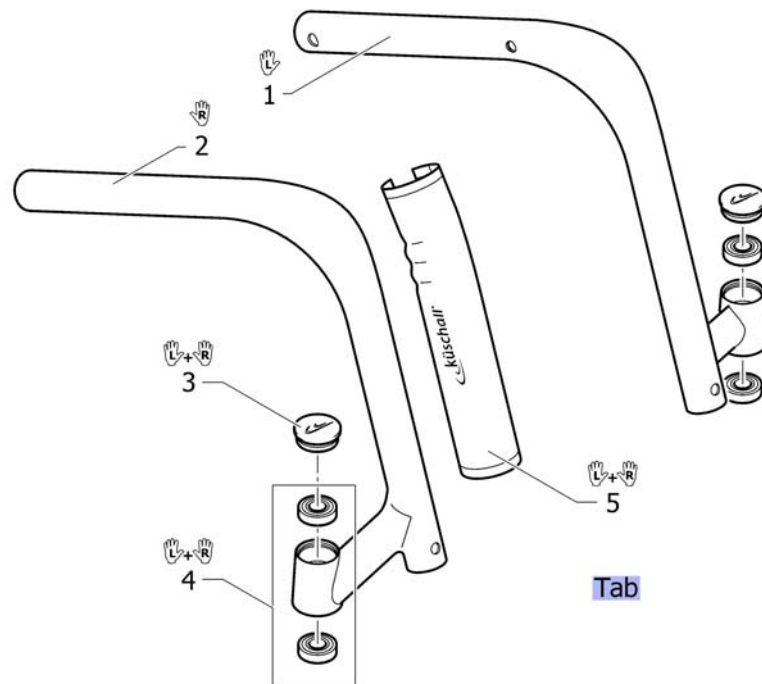
i	Rear Wheel 24"				Rear Wheel 25"				Rear Wheel 26"			
	SHv	UL	UL	UL	SHv	UL	UL	UL	SHv	UL	UL	UL
Frame Titanium 75° Std. (314 mm)	SHv 48	UL29 -> UL36	UL37 -> UL45		SHv 49	UL29 -> UL36	UL37 -> UL46		SHv 50	UL29 -> UL36	UL37 -> UL47	
	SHv 49	UL29 -> UL37	UL38 -> UL46		SHv 50	UL29 -> UL37	UL38 -> UL47		SHv 51	UL29 -> UL37	UL38 -> UL48	
	SHv 50	UL29 -> UL38	UL39 -> UL47		SHv 51	UL29 -> UL38	UL39 -> UL48		SHv 52	UL29 -> UL38	UL39 -> UL49	



i -

(Type of frame in relation to footrest, knee to heel length (UL), front seat height (SHv) and rear wheel size)

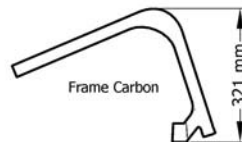
1

**(Frame Carbon K4 75° standard)**

Tab	-	(Configuration table for frame Carbon K4 75° standard)	1
1	1545807	(Front frame Carbon K4, left)	1
2	1545808	(Front frame Carbon K4, right)	1
3	1487961-0004	STØVKAPPE GAFFELHUS SORT KUSCHALL K4 PAR	1
3	1487961-0001	(Bearing block cap pair, chrome)	1
3	1487961-0182	(Bearing block cap pair, champagne)	01.01.2013 → 1
3	1487961-0183	(Bearing block cap pair, olive)	01.01.2013 → 1
3	1487961-0400	(Bearing block cap pair, techno-anthrazit)	1
3	1487961-0401	(Bearing block cap pair, lemon)	01.11.2010 → 31.12.2012 1
3	1487961-0402	(Bearing block cap pair, apricot)	01.11.2010 → 31.12.2012 1
3	1487961-0404	STØVKAPPE GAFFELHUS BLÅ KUSCHALL K4 PAR	1
3	1487961-0440	(Bearing block cap pair, comet red)	1
3	1487961-0441	(Bearing block cap pair, arctic blue)	1
3	1487961-0444	(Bearing block cap, pair, copper glaze)	1
4	1451718	KULELAGER KO5 KUSCHALL	1
5	1529372	RAMMEBESKYTTER FRONT KSL	1

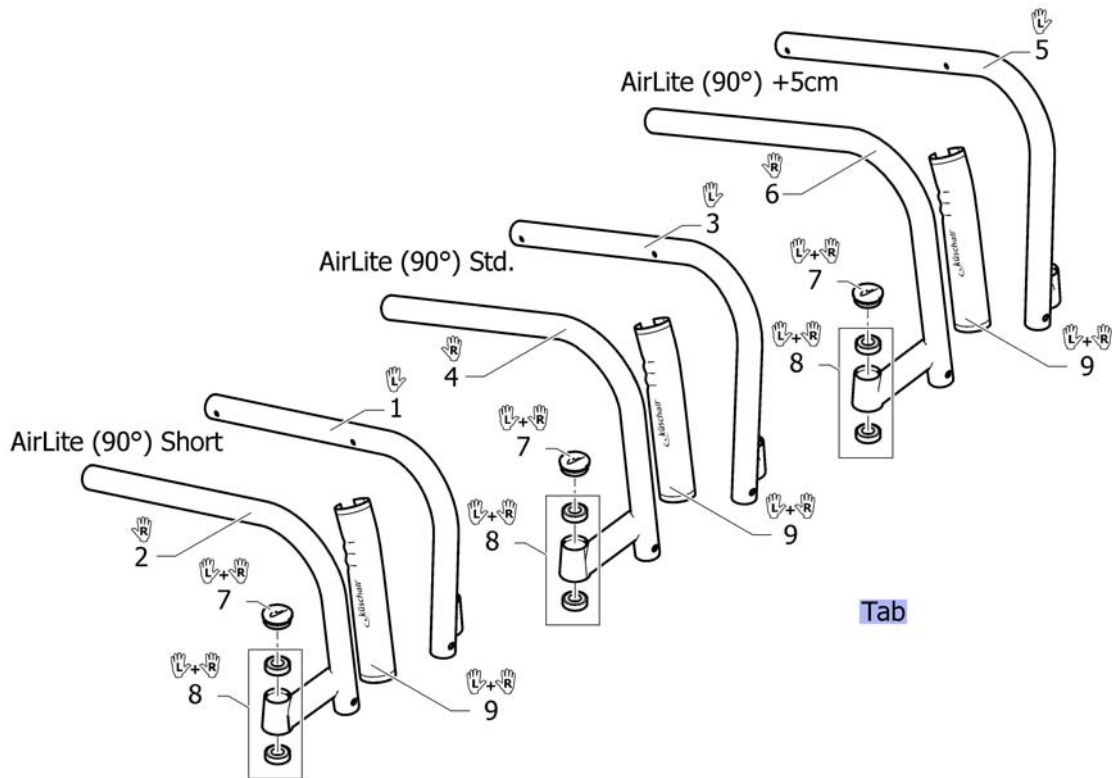
# (Configuration table for frame Carbon K4 75° standard)

		Rear Wheel 24"		Rear Wheel 25"		Rear Wheel 26"			
Frame Carbon (321 mm)	SHv 49	UL29 -> UL37	UL38 -> UL46	SHv 49	UL29 -> UL37	UL38 -> UL47	SHv 50	UL29 -> UL37	UL38 -> UL48
	SHv 50	UL29 -> UL38	UL39 -> UL47	SHv 50	UL29 -> UL38	UL39 -> UL48	SHv 51	UL29 -> UL38	UL39 -> UL49



i - (Type of frame in relation to footrest, knee to heel length (UL), front seat height (SHv) and rear wheel size)

## (Frame Aluminium AirLite 90° standard)



Tab	-	(Configuration table for frame Aluminium AirLite 90° standard)		1
1	1545789-0121	(Front frame AirLite short, left, black-grey rustico)	01.01.2013 → 31.12.2014	1
1	1545789-0122	(Front frame AirLite short, left, golden beach)	01.01.2013 → 31.12.2014	1
1	1545789-0184	(Front frame AirLite short, left, mercury blue)	01.01.2015 →	1
1	1545789-0185	(Front frame AirLite short, left, dynamite orange)	01.01.2015 →	1
1	1545789-0186	(Front frame AirLite short, left, atomic violet)	01.01.2015 →	1
1	1545789-0187	(Front frame AirLite short, left, nitro pink)	01.01.2015 →	1
1	1545789-0410	(Front frame AirLite short, left, polished)		1
1	1545789-0411	(Front frame AirLite short, left, black, matt)		1
1	1545789-0419	(Front frame AirLite short, left, silver grey)		1
1	1545789-0442	(Front frame AirLite short, left, night shimmer)		1
1	1545789-0445	(Front frame AirLite short, left, ivory white)		1
1	1545789-0446	(Front frame AirLite short, left, purple fire)		1
1	1545789-0447	(Front frame AirLite short, left, emerald green)	01.11.2010 → 31.12.2012	1
1	1545789-0448	(Front frame AirLite short, left, midnight blue)	01.11.2010 → 31.12.2012	1
1	1545789-0449	(Front frame AirLite short, left, umber glaze)	01.11.2010 → 31.12.2014	1
1	1545789-0450	(Front frame AirLite short, left, smokey grey)		1
1	1545789-0451	(Front frame AirLite short, left, flashy yellow)		1
1	1545789-0452	(Front frame AirLite short, left, terra magic)	01.11.2010 → 31.12.2011	1
1	1545789-3524	(Front frame AirLite short, left, royal red)		1
1	1545789-5969	(Front frame AirLite short, left, royal blue)		1
1	1545789-9005	(Front frame AirLite short, left, black, glossy)		1
2	1545790-0121	(Front frame AirLite short, right, black-grey rustico)	01.01.2012 → 31.12.2014	1
2	1545790-0122	(Front frame AirLite short, right, golden beach)	01.01.2013 → 31.12.2014	1
2	1545790-0184	(Front frame AirLite short, right, mercury blue)	01.01.2015 →	1

**(Frame Aluminium AirLite 90° standard)**

2	1545790-0185	(Front frame AirLite short, right, dynamite orange)	01.01.2015 →	1
2	1545790-0186	(Front frame AirLite short, right, atomic violet)	01.01.2015 →	1
2	1545790-0187	(Front frame AirLite short, right, nitro pink)	01.01.2015 →	1
2	1545790-0410	(Front frame AirLite short, right, polished)		1
2	1545790-0411	(Front frame AirLite short, right, black, matt)		1
2	1545790-0419	(Front frame AirLite short, right, silver grey)		1
2	1545790-0442	(Front frame AirLite short, right, night shimmer)		1
2	1545790-0445	(Front frame AirLite short, right, ivory white)		1
2	1545790-0446	(Front frame AirLite short, right, purple fire)		1
2	1545790-0447	(Front frame AirLite short, right, emerald green)	01.11.2010 → 31.12.2012	1
2	1545790-0448	(Front frame AirLite short, right, midnight blue)	01.11.2010 → 31.12.2012	1
2	1545790-0449	(Front frame AirLite short, right, umber glaze)	01.11.2010 → 31.12.2014	1
2	1545790-0450	(Front frame AirLite short, right, smokey grey)		1
2	1545790-0451	(Front frame AirLite short, right, flashy yellow)		1
2	1545790-0452	(Front frame AirLite short, right, terra magic)	01.11.2010 → 31.12.2011	1
2	1545790-3524	(Front frame AirLite short, right, royal red)		1
2	1545790-5969	(Front frame AirLite short, right, royal blue)		1
2	1545790-9005	(Front frame AirLite short, right, black, glossy)		1
3	1545793-0121	(Front frame AirLite, left, black-grey rustico)	01.01.2012 → 31.12.2014	1
3	1545793-0122	(Front frame AirLite, left, golden beach)	01.01.2013 → 31.12.2014	1
3	1545793-0184	(Front frame AirLite, left, mercury blue)	01.01.2015 →	1
3	1545793-0185	(Front frame AirLite, left, dynamite orange)	01.01.2015 →	1
3	1545793-0186	(Front frame AirLite, left, atomic violet)	01.01.2015 →	1
3	1545793-0187	(Front frame AirLite, left, nitro pink)	01.01.2015 →	1
3	1545793-0410	(Front frame AirLite, left, polished)		1
3	1545793-0411	(Front frame AirLite, left, black, matt)		1
3	1545793-0419	(Front frame AirLite, left, silver grey)		1
3	1545793-0442	(Front frame AirLite, left, night shimmer)		1
3	1545793-0445	(Front frame AirLite, left, ivory white)		1
3	1545793-0446	(Front frame AirLite, left, purple fire)		1
3	1545793-0447	(Front frame AirLite, left, emerald green)	01.11.2010 → 31.12.2012	1
3	1545793-0448	(Front frame AirLite, left, midnight blue)	01.11.2010 → 31.12.2012	1
3	1545793-0449	(Front frame AirLite, left, umber glaze)	01.11.2010 → 31.12.2014	1
3	1545793-0450	(Front frame AirLite, left, smokey grey)		1
3	1545793-0451	(Front frame AirLite, left, flashy yellow)		1
3	1545793-0452	(Front frame AirLite, left, terra magic)	01.11.2010 → 31.12.2011	1
3	1545793-3524	(Front frame AirLite, left, royal red)		1
3	1545793-5969	(Front frame AirLite, left, royal blue)		1
3	1545793-9005	(Front frame AirLite, left, black, glossy)		1
4	1545794-0121	(Front frame AirLite, right, black-grey rustico)	01.01.2012 → 31.12.2014	1
4	1545794-0122	(Front frame AirLite, right, golden beach)	01.01.2013 → 31.12.2014	1
4	1545794-0184	(Front frame AirLite, right, mercury blue)	01.01.2015 →	1
4	1545794-0185	(Front frame AirLite, right, dynamite orange)	01.01.2015 →	1
4	1545794-0186	(Front frame AirLite, right, atomic violet)	01.01.2015 →	1
4	1545794-0187	(Front frame AirLite, right, nitro pink)	01.01.2015 →	1
4	1545794-0410	(Front frame AirLite, right, polished)		1



**(Frame Aluminium AirLite 90° standard)**

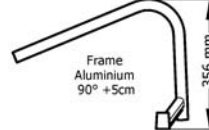
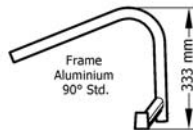
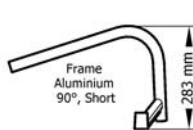
4	1545794-0411	(Front frame AirLite, right, black, matt)		1
4	1545794-0419	(Front frame AirLite, right, silver grey)		1
4	1545794-0442	(Front frame AirLite, right, night shimmer)		1
4	1545794-0445	(Front frame AirLite, right, ivory white)		1
4	1545794-0446	(Front frame AirLite, right, purple fire)		1
4	1545794-0447	(Front frame AirLite, right, emerald green)	01.11.2010 → 31.12.2012	1
4	1545794-0448	(Front frame AirLite, right, midnight blue)	01.11.2010 → 31.12.2012	1
4	1545794-0449	(Front frame AirLite, right, umber glaze)	01.11.2010 → 31.12.2014	1
4	1545794-0450	(Front frame AirLite, right, smokey grey)		1
4	1545794-0451	(Front frame AirLite, right, flashy yellow)		1
4	1545794-0452	(Front frame AirLite, right, terra magic)	01.11.2010 → 31.12.2011	1
4	1545794-3524	(Front frame AirLite, right, royal red)		1
4	1545794-5969	(Front frame AirLite, right, royal blue)		1
4	1545794-9005	(Front frame AirLite, right, black, glossy)		1
5	1545797-0121	(Front frame AirLite +5, left, black-grey rustico)	01.01.2012 → 31.12.2014	1
5	1545797-0122	(Front frame AirLite +5, left, golden beach)	01.01.2013 → 31.12.2014	1
5	1545797-0184	(Front frame AirLite +5, left, mercury blue)	01.01.2015 →	1
5	1545797-0185	(Front frame AirLite +5, left, dynamite orange)	01.01.2015 →	1
5	1545797-0186	(Front frame AirLite +5, left, atomic violet)	01.01.2015 →	1
5	1545797-0187	(Front frame AirLite +5, left, nitro pink)	01.01.2015 →	1
5	1545797-0410	(Front frame AirLite +5, left, polished)		1
5	1545797-0411	(Front frame AirLite +5, left, black, matt)		1
5	1545797-0419	(Front frame AirLite +5, left, silver grey)		1
5	1545797-0442	(Front frame AirLite +5, left, night shimmer)		1
5	1545797-0445	(Front frame AirLite +5, left, ivory white)		1
5	1545797-0446	(Front frame AirLite +5, left, purple fire)		1
5	1545797-0447	(Front frame AirLite +5, left, emerald green)	01.11.2010 → 31.12.2012	1
5	1545797-0448	(Front frame AirLite +5, left, midnight blue)	01.11.2010 → 31.12.2012	1
5	1545797-0449	(Front frame AirLite +5, left, umber glaze)	01.11.2010 → 31.12.2014	1
5	1545797-0450	(Front frame AirLite +5, left, smokey grey)		1
5	1545797-0451	(Front frame AirLite +5, left, flashy yellow)		1
5	1545797-0452	(Front frame AirLite +5, left, terra magic)	01.11.2010 → 31.12.2011	1
5	1545797-3524	(Front frame AirLite +5, left, royal red)		1
5	1545797-5969	(Front frame AirLite +5, left, royal blue)		1
5	1545797-9005	(Front frame AirLite +5, left, black, glossy)		1
6	1545798-0121	(Front frame AirLite +5, right, black-grey rustico)	01.01.2012 → 31.12.2014	1
6	1545798-0122	(Front frame AirLite +5, right, golden beach)	01.01.2013 → 31.12.2014	1
6	1545798-0184	(Front frame AirLite +5, right, mercury blue)	01.01.2015 →	1
6	1545798-0185	(Front frame AirLite +5, right, dynamite orange)	01.01.2015 →	1
6	1545798-0186	(Front frame AirLite +5, right, atomic violet)	01.01.2015 →	1
6	1545798-0187	(Front frame AirLite +5, right, nitro pink)	01.01.2015 →	1
6	1545798-0410	(Front frame AirLite +5, right, polished)		1
6	1545798-0411	(Front frame AirLite +5, right, black, matt)		1
6	1545798-0419	(Front frame AirLite +5, right, silver grey)		1
6	1545798-0442	(Front frame AirLite +5, right, night shimmer)		1
6	1545798-0445	(Front frame AirLite +5, right, ivory white)		1

**(Frame Aluminium AirLite 90° standard)**

6	1545798-0446	(Front frame AirLite +5, right, purple fire)		1
6	1545798-0447	(Front frame AirLite +5, right, emerald green)	01.11.2010 → 31.12.2012	1
6	1545798-0448	(Front frame AirLite +5, right, midnight blue)	01.11.2010 → 31.12.2012	1
6	1545798-0449	(Front frame AirLite +5, right, umber glaze)	01.11.2010 → 31.12.2014	1
6	1545798-0450	(Front frame AirLite +5, right, smokey grey)		1
6	1545798-0451	(Front frame AirLite +5, right, flashy yellow)		1
6	1545798-0452	(Front frame AirLite +5, right, terra magic)	01.11.2010 → 31.12.2011	1
6	1545798-3524	(Front frame AirLite +5, right, royal red)		1
6	1545798-5969	(Front frame AirLite +5, right, royal blue)		1
6	1545798-9005	(Front frame AirLite +5, right, black, glossy)		1
7	1487961-0004	STØVKAPPE GAFFELHUS SORT KUSCHALL K4 PAR		1
7	1487961-0001	(Bearing block cap pair, chrome)		1
7	1487961-0182	(Bearing block cap pair, champagne)	01.01.2013 →	1
7	1487961-0183	(Bearing block cap pair, olive)	01.01.2013 →	1
7	1487961-0400	(Bearing block cap pair, techno-anthrazit)		1
7	1487961-0401	(Bearing block cap pair, lemon)	01.11.2010 → 31.12.2012	1
7	1487961-0402	(Bearing block cap pair, apricot)	01.11.2010 → 31.12.2012	1
7	1487961-0404	STØVKAPPE GAFFELHUS BLÅ KUSCHALL K4 PAR		1
7	1487961-0440	(Bearing block cap pair, comet red)		1
7	1487961-0441	(Bearing block cap pair, arctic blue)		1
7	1487961-0444	(Bearing block cap, pair, copper glaze)		1
8	1451718	KULELAGER KO5 KUSCHALL		1
9	1529372	RAMMEBESKYTTER FRONT KSL		1

## (Configuration table for frame Aluminium AirLite 90° standard)

i	Rear Wheel 24"			Rear Wheel 25"			Rear Wheel 26"		
	SHv	UL	UL	SHv	UL	UL	SHv	UL	UL
Frame Aluminium 90° Short (283 mm)	SHv 45	UL29 -> UL32	UL33 -> UL41	SHv 46	UL29 -> UL32	UL33 -> UL42	SHv 47	UL29 -> UL32	UL33 -> UL43
	SHv 46	UL29 -> UL33	UL34 -> UL42	SHv 47	UL29 -> UL33	UL34 -> UL43	SHv 48	UL29 -> UL33	UL34 -> UL44
	SHv 47	UL29 -> UL34	UL35 -> UL43	SHv 48	UL29 -> UL34	UL35 -> UL44	SHv 49	UL29 -> UL34	UL35 -> UL45
Frame Aluminium 90° Std. (333 mm)	SHv 48	UL29 -> UL36	UL37 -> UL44	SHv 49	UL29 -> UL36	UL37 -> UL45	SHv 50	UL29 -> UL36	UL37 -> UL46
	SHv 49	UL29 -> UL37	UL38 -> UL45	SHv 50	UL29 -> UL37	UL38 -> UL46	SHv 51	UL29 -> UL37	UL38 -> UL47
	SHv 50	UL29 -> UL38	UL39 -> UL46	SHv 51	UL29 -> UL38	UL39 -> UL47	SHv 52	UL29 -> UL38	UL39 -> UL48
Frame Aluminium 90° +5cm (356 mm)	SHv 50	UL29 -> UL39	UL40 -> UL46	SHv 51	UL29 -> UL38	UL40 -> UL47	SHv 52	UL29 -> UL38	UL40 -> UL48
	SHv 51	UL29 -> UL40	UL41 -> UL47	SHv 52	UL29 -> UL39	UL41 -> UL48	SHv 53	UL29 -> UL39	UL41 -> UL49
	SHv 52	UL29 -> UL41	UL42 -> UL48	SHv 53	UL29 -> UL40	UL42 -> UL49	SHv 54	UL29 -> UL40	UL42 -> UL50

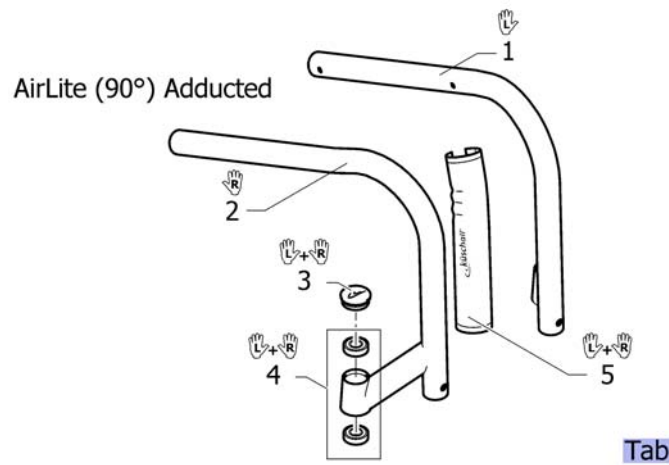


i -

(Type of frame in relation to footrest, knee to heel length (UL), front seat height (SHv) and rear wheel size)

1

# (Frame Aluminium AirLite 90° adducted)



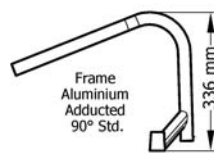
Tab		(Configuration table for frame Aluminium AirLite 90° adducted)		
1	1545805-0121	(Front frame AirLite adducted, left, black-grey rustico)	01.01.2013 → 31.12.2014	1
1	1545805-0122	(Front frame AirLite adducted, left, golden beach)	01.01.2013 → 31.12.2014	1
1	1545805-0184	(Front frame AirLite adducted, left, mercury blue)	01.01.2015 →	1
1	1545805-0185	(Front frame AirLite adducted, left, dynamite orange)	01.01.2015 →	1
1	1545805-0186	(Front frame AirLite adducted, left, atomic violet)	01.01.2015 →	1
1	1545805-0187	(Front frame AirLite adducted, left, nitro pink)	01.01.2015 →	1
1	1545805-0410	(Front frame AirLite adducted, left, polished)		1
1	1545805-0411	(Front frame AirLite adducted, left, black, matt)		1
1	1545805-0419	(Front frame AirLite adducted, left, silver grey)		1
1	1545805-0442	(Front frame AirLite adducted, left, night shimmer)		1
1	1545805-0445	(Front frame AirLite adducted, left, ivory white)		1
1	1545805-0446	(Front frame AirLite adducted, left, purple fire)		1
1	1545805-0447	(Front frame AirLite adducted, left, emerald green)	01.11.2010 → 31.12.2012	1
1	1545805-0448	(Front frame AirLite adducted, left, midnight blue)	01.11.2010 → 31.12.2012	1
1	1545805-0449	(Front frame AirLite adducted, left, umber glaze)	01.11.2010 → 31.12.2014	1
1	1545805-0450	(Front frame AirLite adducted, left, smokey grey)		1
1	1545805-0451	(Front frame AirLite adducted, left, flashy yellow)		1
1	1545805-0452	(Front frame AirLite adducted, left, terra magic)	01.11.2010 → 31.12.2011	1
1	1545805-3524	(Front frame AirLite adducted, left, royal red)		1
1	1545805-5969	(Front frame AirLite adducted, left, royal blue)		1
1	1545805-9005	(Front frame AirLite adducted, left, black, glossy)		1
2	1545806-0121	(Front frame AirLite adducted, right, black-grey rustico)	01.01.2012 → 31.12.2014	1
2	1545806-0122	(Front frame AirLite adducted, right, golden beach)	01.01.2013 → 31.12.2014	1
2	1545806-0184	(Front frame AirLite adducted, right, mercury blue)	01.01.2015 →	1

**(Frame Aluminium AirLite 90° adducted)**

2	1545806-0185	(Front frame AirLite adducted, right, dynamite orange)	01.01.2015 →	1
2	1545806-0186	(Front frame AirLite adducted, right, atomic violet)	01.01.2015 →	1
2	1545806-0187	(Front frame AirLite adducted, right, nitro pink)	01.01.2015 →	1
2	1545806-0410	(Front frame AirLite adducted, right, polished)		1
2	1545806-0411	(Front frame AirLite adducted, right, black, matt)		1
2	1545806-0419	(Front frame AirLite adducted, right, silver grey)		1
2	1545806-0442	(Front frame AirLite adducted, right, night shimmer)		1
2	1545806-0445	(Front frame AirLite adducted, right, ivory white)		1
2	1545806-0446	(Front frame AirLite adducted, right, purple fire)		1
2	1545806-0447	(Front frame AirLite adducted, right, emerald green)	01.11.2010 → 31.12.2012	1
2	1545806-0448	(Front frame AirLite adducted, right, midnight blue)	01.11.2010 → 31.12.2012	1
2	1545806-0449	(Front frame AirLite adducted, right, umber glaze)	01.11.2010 → 31.12.2014	1
2	1545806-0450	(Front frame AirLite adducted, right, smokey grey)		1
2	1545806-0451	(Front frame AirLite adducted, right, flashy yellow)		1
2	1545806-0452	(Front frame AirLite adducted, right, terra magic)	01.11.2010 → 31.12.2011	1
2	1545806-3524	(Front frame AirLite adducted, right, royal red)		1
2	1545806-5969	(Front frame AirLite adducted, right, royal blue)		1
2	1545806-9005	(Front frame AirLite adducted, right, black, glossy)		1
3	1487961-0004	STØVKAPPE GAFFELHUS SORT KUSCHALL K4 PAR		1
3	1487961-0001	(Bearing block cap pair, chrome)		1
3	1487961-0182	(Bearing block cap pair, champagne)	01.01.2013 →	1
3	1487961-0183	(Bearing block cap pair, olive)	01.01.2013 →	1
3	1487961-0400	(Bearing block cap pair, techno-anthrazit)		1
3	1487961-0401	(Bearing block cap pair, lemon)	01.11.2010 → 31.12.2012	1
3	1487961-0402	(Bearing block cap pair, apricot)	01.11.2010 → 31.12.2012	1
3	1487961-0404	STØVKAPPE GAFFELHUS BLÅ KUSCHALL K4 PAR		1
3	1487961-0440	(Bearing block cap pair, comet red)		1
3	1487961-0441	(Bearing block cap pair, arctic blue)		1
3	1487961-0444	(Bearing block cap, pair, copper glaze)		1
4	1451718	KULELAGER KO5 KUSCHALL		1
5	1529372	RAMMEBESKYTTER FRONT KSL		1

## (Configuration table for frame Aluminium AirLite 90° adducted)

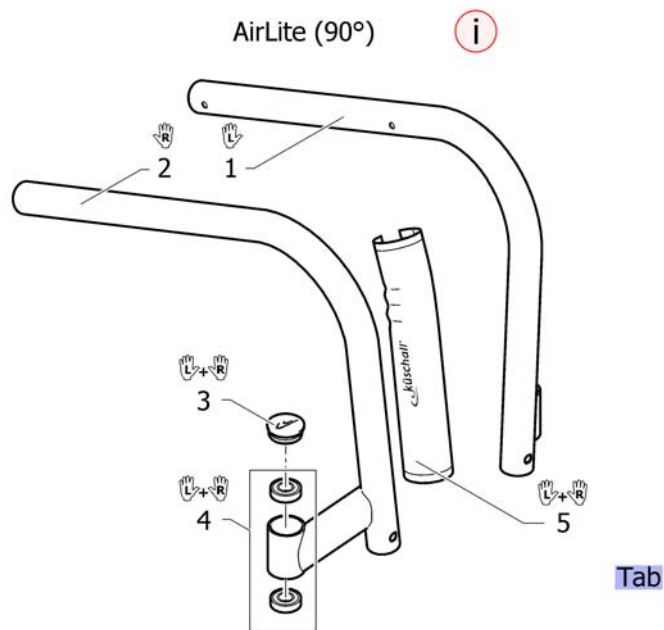
i	Rear Wheel 24"				Rear Wheel 25"				Rear Wheel 26"			
	SHv	UL	UL	UL	SHv	UL	UL	UL	SHv	UL	UL	UL
Frame Aluminium Adducted 90° (336 mm)	SHv 48	UL29 -> UL36	UL39 -> UL44		SHv 49	UL29 -> UL36	UL39 -> UL45		SHv 50	UL29 -> UL36	UL39 -> UL46	
	SHv 49	UL29 -> UL37	UL40 -> UL45		SHv 50	UL29 -> UL37	UL40 -> UL46		SHv 51	UL29 -> UL37	UL40 -> UL47	
	SHv 50	UL29 -> UL38	UL41 -> UL46		SHv 51	UL29 -> UL38	UL41 -> UL47		SHv 52	UL29 -> UL38	UL41 -> UL48	



i -

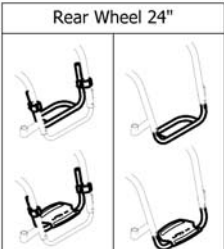
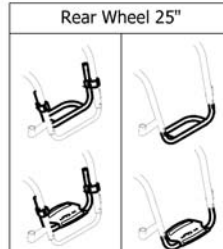

(Type of frame in relation to footrest, knee to heel length (UL), front seat height (SHv) and rear wheel size)

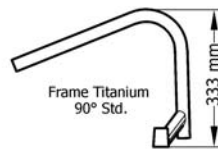
1

**(Frame Titanium AirLite 90° standard)**

i	-	(Special sleeves for footplates and sleeves for brakes clamping pieces are necessary (See pages footplates and brakes).)		0
Tab	-	(Configuration table for frame Titanium AirLite 90° standard)		1
1	1545801	(Front frame Titanium Air Lite, 90°, left)		1
2	1545802	(Front frame Titanium Air Lite, 90°, right)		1
3	1487961-0004	STØVKAPPE GAFFELHUS SORT KUSCHALL K4 PAR		1
3	1487961-0001	(Bearing block cap pair, chrome)		1
3	1487961-0182	(Bearing block cap pair, champagne)	01.01.2013 →	1
3	1487961-0183	(Bearing block cap pair, olive)	01.01.2013 →	1
3	1487961-0400	(Bearing block cap pair, techno-anthrazit)		1
3	1487961-0401	(Bearing block cap pair, lemon)	01.11.2010 → 31.12.2012	1
3	1487961-0402	(Bearing block cap pair, apricot)	01.11.2010 → 31.12.2012	1
3	1487961-0404	STØVKAPPE GAFFELHUS BLÅ KUSCHALL K4 PAR		1
3	1487961-0440	(Bearing block cap pair, comet red)		1
3	1487961-0441	(Bearing block cap pair, arctic blue)		1
3	1487961-0444	(Bearing block cap, pair, copper glaze)		1
4	1451718	KULELAGER KO5 KUSCHALL		1
5	1529372	RAMMEBESKYTTER FRONT KSL		1

# (Configuration table for frame Titanium AirLite 90° standard)

i	Rear Wheel 24"			Rear Wheel 25"			Rear Wheel 26"		
	  	SHv 48	UL29 -> UL36	UL37 -> UL44	SHv 49	UL29 -> UL36	UL37 -> UL45	SHv 50	UL29 -> UL36
Frame Titanium 90° Std. (333 mm)	SHv 49	UL29 -> UL37	UL38 -> UL45	SHv 50	UL29 -> UL37	UL38 -> UL46	SHv 51	UL29 -> UL37	UL38 -> UL47
	SHv 50	UL29 -> UL38	UL39 -> UL46	SHv 51	UL29 -> UL38	UL39 -> UL47	SHv 52	UL29 -> UL38	UL39 -> UL48

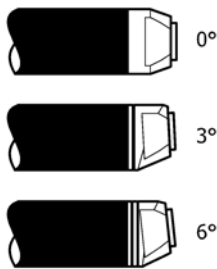
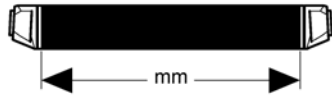
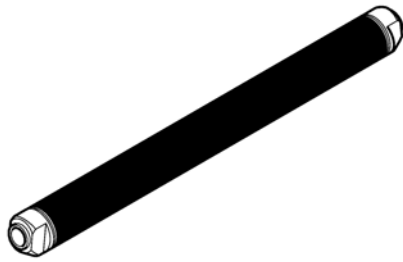


i -

(Type of frame in relation to footrest, knee to heel length (UL), front seat height (SHv) and rear wheel size)

1



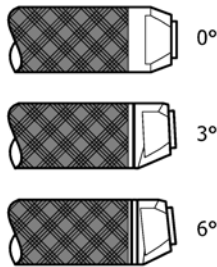
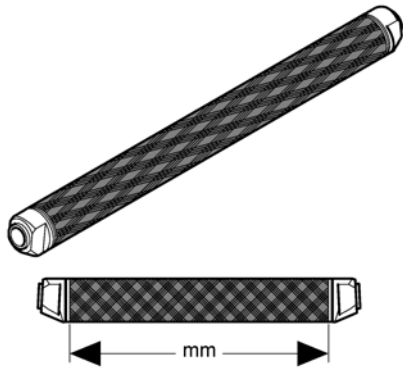


	In combination with:			SB34	SB36	SB38	SB40	SB42	SB44	SB46	SB48
0°	✓	✓		1	2	3	4	5	6	7	8
3°	✓	✗		10	11	12	13	14	15	16	17
	✗	✓		11	12	13	14	15	16	17	18
6°	✓	✗		20	21	22	23	24	25	26	27
	✗	✓		21	22	23	24	25	26	27	28

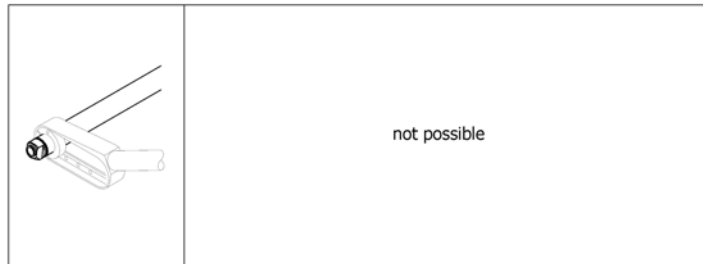
	In combination with:				SB34	SB36	SB38	SB40	SB42	SB44	SB46	SB48
0°	✓	✓		0°/3°/Vario	1	2	3	4	5	6	7	8
	✓	✗		3°	1	2	3	4	5	6	7	8
	✗	✓		3°	2	3	4	5	6	7	8	9
3°	✓	✗		0°/3°/Vario	10	11	12	13	14	15	16	17
	✗	✓		0°/3°/Vario	11	12	13	14	15	16	17	18
	✓	✗		6°	11	12	13	14	15	16	17	18
	✗	✓		6°	12	13	14	15	16	17	18	19
6°	✓	✗		3°/6°	20	21	22	23	24	25	26	27
	✗	✓		3°/6°	21	22	23	24	25	26	27	28

1	1545827	(Axle tube Aluminium 0° complete, 318mm)	1
2	1545828	(Axle tube Aluminium 0° complete, 338mm)	1
3	1545829	(Axle tube Aluminium 0° complete, 358mm)	1
4	1545830	(Axle tube Aluminium 0° complete, 378mm)	1
5	1545831	(Axle tube Aluminium 0° complete, 398mm)	1
6	1545832	(Axle tube Aluminium 0° complete, 418mm)	1
7	1545833	(Axle tube Aluminium 0° complete, 438mm)	1
8	1545834	(Axle tube Aluminium 0° complete, 458mm)	1
9	1545835	(Axle tube Aluminium 0° complete, 478mm)	1
10	1545836	(Axle tube Aluminium 3° complete, 324mm)	1
11	1545837	(Axle tube Aluminium 3° complete, 344mm)	1
12	1545838	(Axle tube Aluminium 3° complete, 364mm)	1
13	1545839	(Axle tube Aluminium 3° complete, 384mm)	1
14	1545840	AKSLINGSRØR ALU 404mm/3° KOMPLETT	1
15	1545841	(Axle tube Aluminium 3° complete, 424mm)	1
16	1545842	(Axle tube Aluminium 3° complete, 444mm)	1
17	1545843	(Axle tube Aluminium 3° complete, 464mm)	1
18	1545844	(Axle tube Aluminium 3° complete, 484mm)	1
19	1545845	(Axle tube Aluminium 3° complete, 504mm)	1
20	1545846	(Axle tube Aluminium 6° complete, 354mm)	1
21	1545847	(Axle tube Aluminium 6° complete, 374mm)	1
22	1545848	(Axle tube Aluminium 6° complete, 394mm)	1
23	1545849	(Axle tube Aluminium 6° complete, 414mm)	1
24	1545850	(Axle tube Aluminium 6° complete, 434mm)	1
25	1545851	(Axle tube Aluminium 6° complete, 454mm)	1
26	1545852	(Axle tube Aluminium 6° complete, 474mm)	1
27	1545853	(Axle tube Aluminium 6° complete, 494mm)	1
28	1545854	(Axle tube Aluminium 6° complete, 514mm)	1

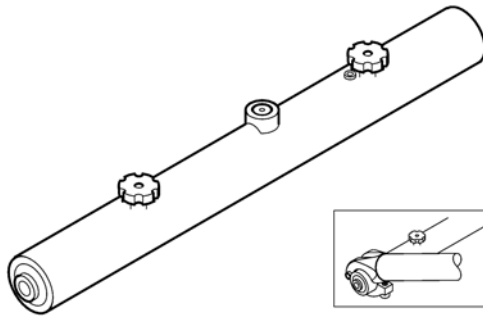
# (Axle tube Carbon)

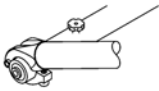



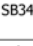


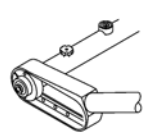




	In combination with:			SB34	SB36	SB38	SB40	SB42	SB44	SB46	SB48
0°	✓	✓		1	2	3	4	5	6	7	8
3°	✓	✗		9	10	11	12	13	14	15	16
	✗	✓		10	11	12	13	14	15	16	17
6°	✓	✗		18	19	20	21	22	23	24	25
	✗	✓		19	20	21	22	23	24	25	26



1	1507565	(Axle tube Carbon 0° complete, 318mm)	1
2	1507566	AKSLINGSRØR SB36 M/0G CAMBER KUSCHALL	1
3	1507567	AKSLINGSRØR CARBON K4 SB40 0G.CAMBRING	1
4	1507568	AKSLINGSRØR CARBON K4 SB38 0G.CAMBRING	1
5	1507569	(Axle tube Carbon 0° complete, 398mm)	1
6	1507570	AKSLING KARBON 0GR.KPL SB42 K4 AIRLITE	1
7	1507571	RØR AKSEL KARBON 0 GRADER 438 MM KPL	1
8	1507572	(Axle tube Carbon 0° complete, 458mm)	1
9	1507575	(Axle tube Carbon 3° complete, 324mm)	1
10	1507576	KARBON AKSLING K4 SB 36 3 CAMBRING	1
11	1507577	KARBON AKSLING K4 SB 38 3 CAMBRING	1
12	1507578	KARBON AKSLING K4 SB 40 3 CAMBRING	1
13	1507579	AKSLING KARBON FUSION /AIRLITE SB 42 3GRADER	1
14	1507580	KARBON AKSLING K4 SB 44 3 CAMBRING	1
15	1507581	KARBON AKSLING K4 SB 46 3 CAMBRING	1
16	1507582	(Axle tube Carbon 3° complete, 464mm)	1
17	1507583	(Axle tube Carbon 3° complete, 484mm)	1
18	1507585	(Axle tube Carbon 6° complete, 354mm)	1
19	1507586	KARBON AKSLING K4 6 GR 374 MM	1
20	1507587	KARBON AKSLING K4 6 GR 394 MM	1
21	1507588	KARBON AKSLING K4 6 GR 414 MM	1
22	1507589	(Axle tube Carbon 6° complete, 434mm)	1
23	1507590	(Axle tube Carbon 6° complete, 454mm)	1
24	1507591	KARBON AKSLING K4 474 MM	1
25	1507592	(Axle tube Carbon 6° complete, 494mm)	1
26	1507593	(Axle tube Carbon 6° complete, 514mm)	1

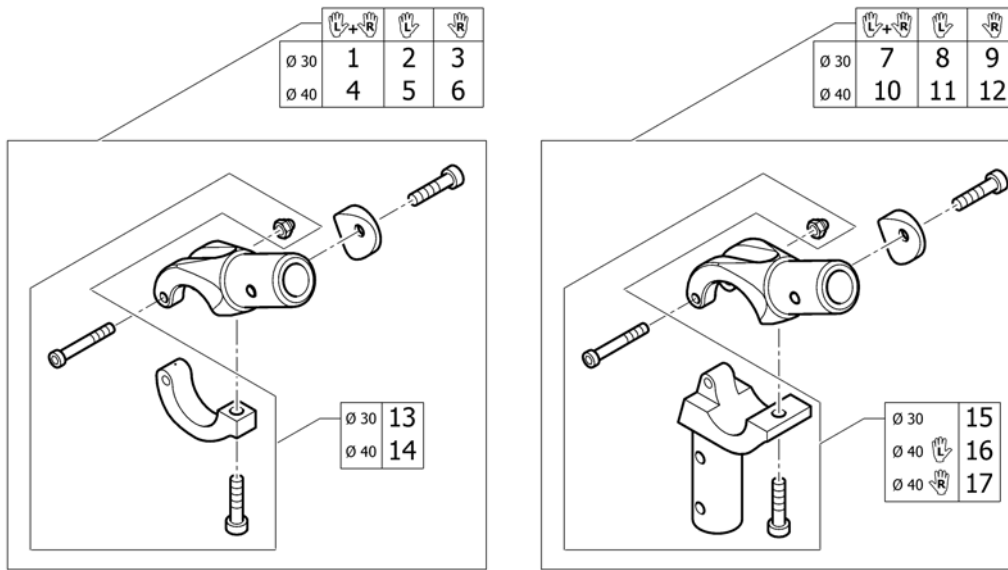


	In combination with:				SB34	SB36	SB38	SB40	SB42	SB44	SB46	SB48
												
	✓	✓			1	2	3	4	5	6	7	8

	In combination with:				SB34	SB36	SB38	SB40	SB42	SB44	SB46	SB48
												
	✓	✓		0°/Vario	1	2	3	4	5	6	7	8
	✓	✗		3°	1	2	3	4	5	6	7	8
	✗	✓		3°	2	3	4	5	6	7	8	9

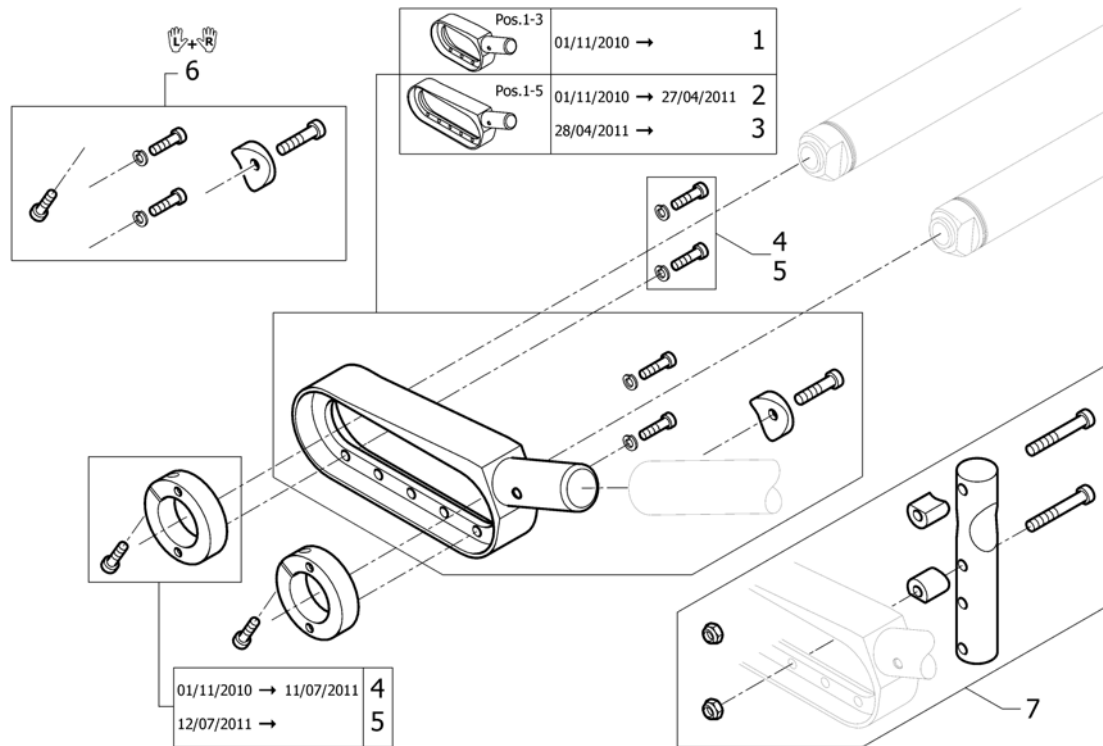
1	1507611	VARIO-AX FOR SB 36 SB 34 HVIS HJULSKJERM	1
2	1507612	VARIO-AX FOR SB 38 SB 36 HVIS HJULSKJERM	1
3	1507613	VARIO-AX 395 mm K4 SB 38 (SB 36 HVIS HJULSKJERM)	1
4	1507615	VARIO-AX 415 mm K4 SB 42 SB 40 M HJULSKJERM	1
5	1507616	VARIO-AX SB42 435MM K-SERIES KUSCHALL	1
6	1507617	VARIO-AX FOR SB 44 KUSCHALL	1
7	1507619	VARIO-AX 475 mm K4 SB 46	1
8	1507620	VARIO-AX 495mm K4 SB 46	1
9	1507621	(Vario-Ax complete 515mm)	1

# (Axle holder)



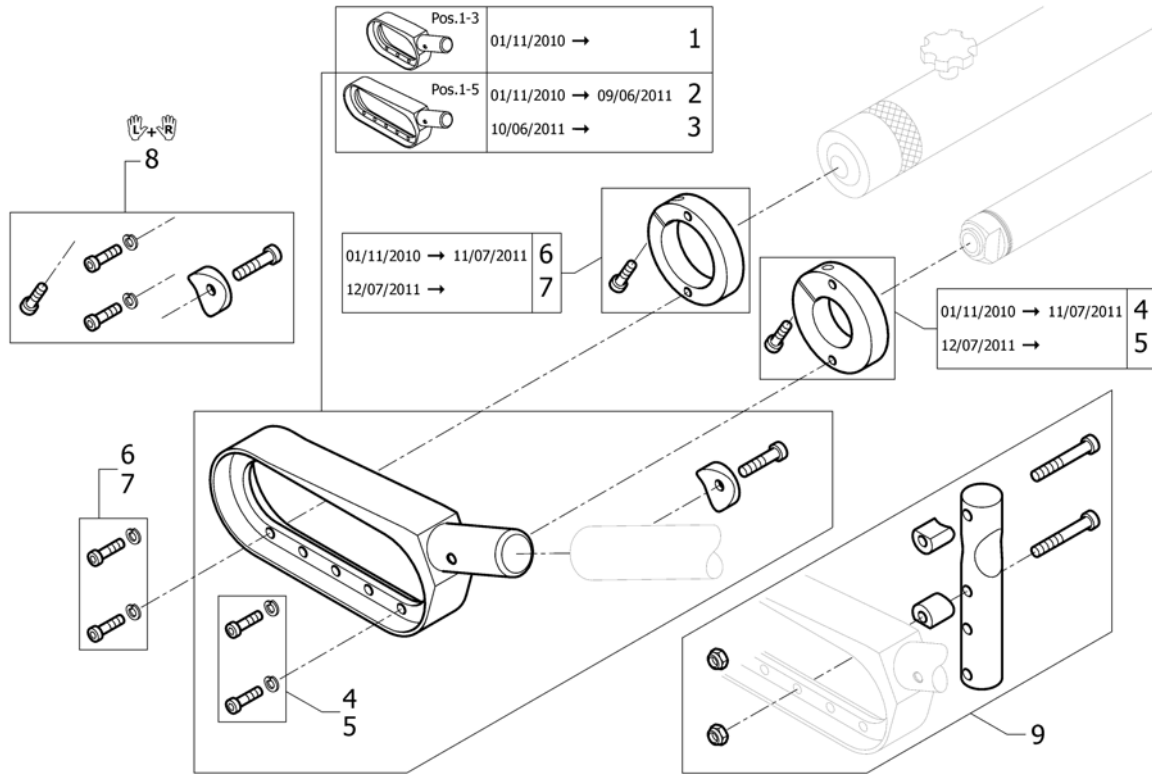
1	1545809	(Axle holder complete Ø30, pair)	1
2	1545811	(Axle holder complete Ø30, left)	1
3	1545812	(Axle holder complete Ø30, right)	1
4	1545810	(Axle holder complete Ø40, pair)	1
5	1545813	(Axle holder complete Ø40, left)	1
6	1545814	(Axle holder complete Ø40, right)	1
7	1545815	(Axle holder for adaptations Ø30, pair)	1
8	1545818	(Axle holder for adaptations Ø30, left)	1
9	1545817	(Axle holder for adaptations Ø30, right)	1
10	1545816	(Axle holder for adaptations Ø40, pair)	1
11	1545820	(Axle holder for adaptations Ø40, left)	1
12	1545819	(Axle holder for adaptations Ø40, right)	1
13	1545821	(Axle holder latch Ø30)	2
14	1545822	(Axle holder latch Ø40)	2
15	1545823	HOLDER TIPPESIKRING NDRE DEL K4 G3	2
16	1545825	(Axle holder latch for Adaptations left, Ø40)	1
17	1545824	(Axle holder latch for Adaptations right, Ø40)	1

## (Rear wheel extension standard)

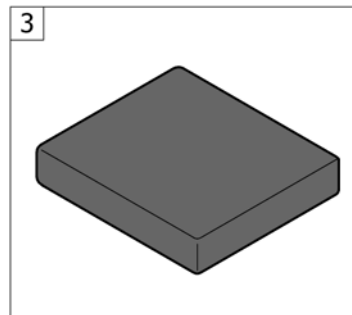
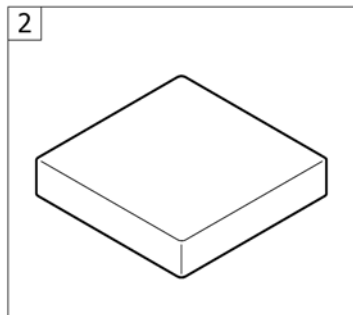
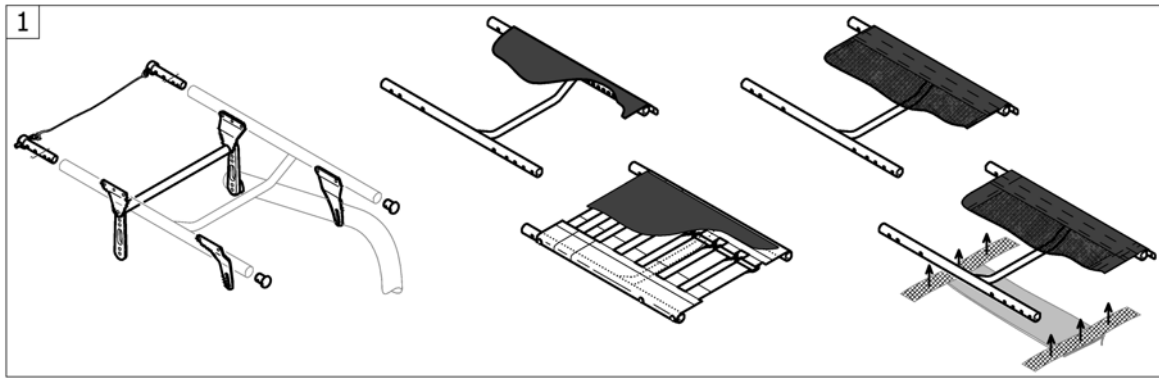


1	1545863	(Rear wheel extension short (Pos. 1-3) standard complete) <i>Black part</i>		0
3	1553204	(Rear wheel extension standard, black, complete) <i>Black part</i>	28.04.2011 →	2
5	1553205	(Clamping ring Ø50/30, black, incl. screw kit) <i>Black part</i>	12.07.2011 →	2
6	1545860	(Assembly kit for pair rear wheel extension)		1
7	1545861	(Adaptation holder, kit for rear wheel extension standard)		2

# (Rear wheel extension for Vario-Ax)

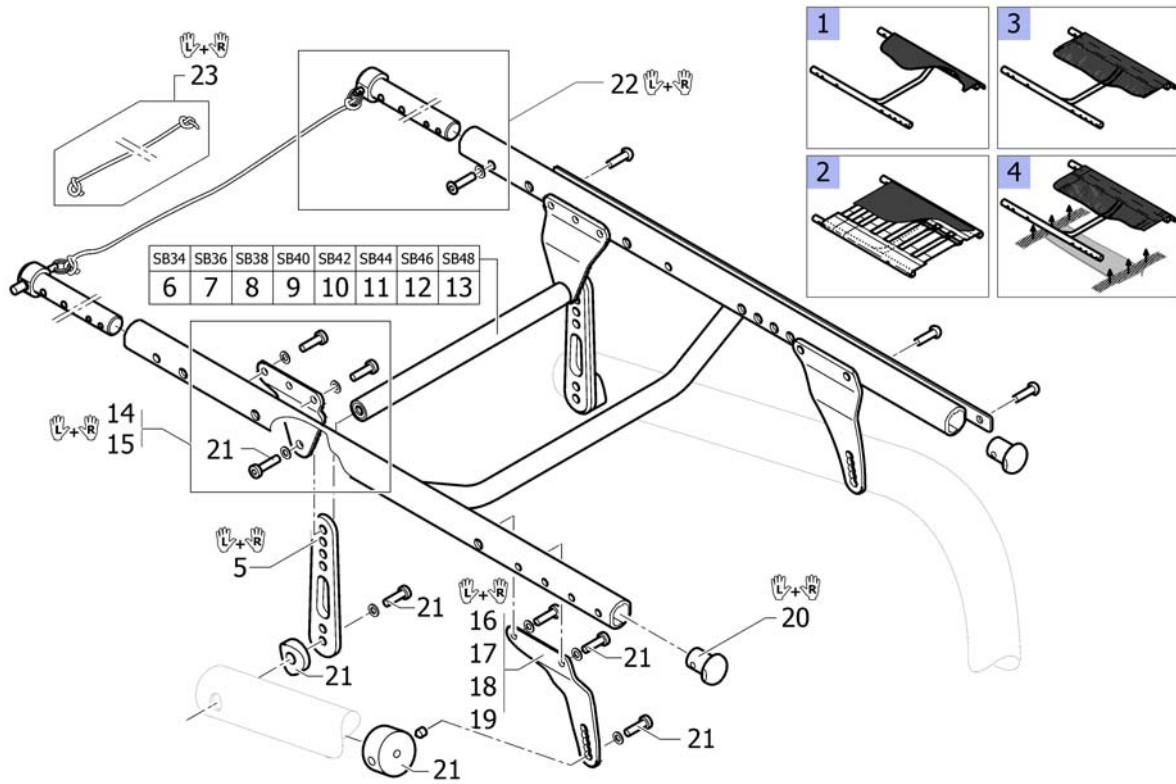


1	1545864	(Rear wheel extension (Pos.1-3) Vario-Ax complete) <i>Black part</i>		2
3	1553206	FORLENGER DRIVHJUL FOR VARIO AX SORT KPL <i>Black part</i>	10.06.2011 →	2
5	1553207	(Clamping ring Ø60/30, black, incl. screw kit) <i>Black part</i>	12.07.2011 →	2
7	1553246	KLEMRING 60/40 SORT INKL SKRUESETT <i>Black part</i>	12.07.2011 →	2
8	1545860	(Assembly kit for pair rear wheel extension)		1
9	1545862	(Adaptation holder, kit for rear wheel extension Vario-Ax)		2



1	-	(Seat module)		1
2	-	(Seat cushion standard)	01.07.2012 →	1
3	-	(Seat cushion Alcantara)		1

**(Seat module)**



1	-	(Seat frame, cover standard)		1
2	-	(Seat frame, cover tension adjustable)		1
3	-	(Seat frame, cover light)		1
4	-	(Seat frame, cover light for seat upholstery bag)		1
		<i>Required for seat upholstery bags</i>		
5	1545881	(Seat brace-Set vertical (S, M, L))		1
6	1545865	(Seat brace horizontal SB34)		1
7	1545866	(Seat brace horizontal SB36)		1
8	1545867	(Seat brace horizontal SB38)		1
9	1545868	(Seat brace horizontal SB40)		1
10	1545869	(Seat brace horizontal SB42)		1
11	1545870	(Seat brace horizontal SB44)		1
12	1545871	(Seat brace horizontal SB46)		1
13	1545872	(Seat brace horizontal SB48)		1
14	1545874	(Hinge bracket-Set Seat Frame, rear)		1
15	1546693	HENGSELEDD BAK PAR K-SERIE G3		1
16	1545876	(Hinge bracket-Set Front Seat Frame S)		1
17	1545877	FESTE FREMRE SETERAMME TIL RAMME L		1
18	1546691	HENGSELEDD FORAN S K-SERIES G3		1
19	1546692	HENGSELEDD FORAN L TIL K-SERIES G3		1
20	1486539-0004	PLASTPLUGG SETERAMME FRONT K-SERIEN		1
20	1486539-0001	(Seatmodule plug, pair, chrome)		1
20	1486539-0182	(Seatmodule plug, pair, champagne)	01.01.2013 →	1
20	1486539-0183	(Seatmodule plug, pair, olive)	01.01.2013 →	1
20	1486539-0400	(Seatmodule plug, pair, techno-anthrazit)		1
20	1486539-0401	(Seatmodule plug, pair, lemon)	01.07.2012 → 31.12.2012	1
20	1486539-0402	(Seatmodule plug, pair, apricot)	01.07.2012 → 31.12.2012	1
20	1486539-0404	PLASTPLUGG SETERAMME FRONT K-SERIEN BLÅ		1
20	1486539-0440	(Seatmodule plug, pair, comet red)		1
20	1486539-0441	(Seatmodule plug, pair, arctic blue)		1



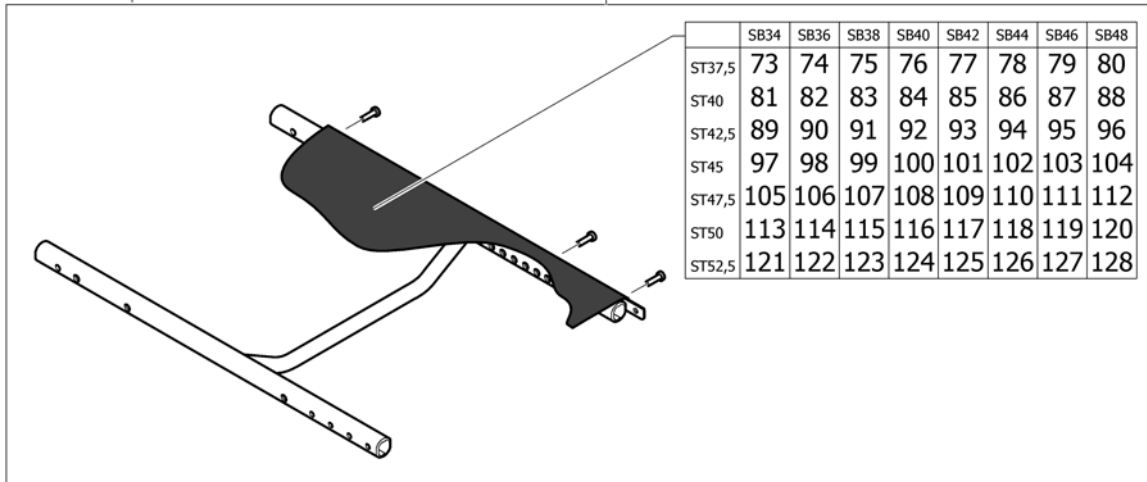
---

20	1486539-0444	(Seatmodule plug, pair, copper glaze)	1
21	1545880	FIKSERINGSKIT KUSCHALL K-SERIES	1
22	1545873	(Backrest-Bolt Set)	1
23	1554427	TAU UTLØSERMEKNISME RYGG K4 SERIEN	1

**(Seat frame, cover standard)**

	SB34	SB36	SB38	SB40	SB42	SB44	SB46	SB48
ST37,5	1	2	3	4	5	6	7	8
ST40	9	10	11	12	13	14	15	16
ST42,5	17	18	19	20	21	22	23	24
ST45	25	26	27	28	29	30	31	32

	+5	SB34	SB36	SB38	SB40	SB42	SB44	SB46	SB48
ST42,5	33	34	35	36	37	38	39	40	
ST45	41	42	43	44	45	46	47	48	
ST47,5	49	50	51	52	53	54	55	56	
ST50	57	58	59	60	61	62	63	64	
ST52,5	65	66	67	68	69	70	71	72	



1	1545887	(Seat module complete with cover standard for standard frame SB34 ST37,5)	1
2	1545888	(Seat module complete with cover standard for standard frame SB36 ST37,5)	1
3	1545889	(Seat module complete with cover standard for standard frame SB38 ST37,5)	1
4	1545890	(Seat module complete with cover standard for standard frame SB40 ST37,5)	1
5	1545891	(Seat module complete with cover standard for standard frame SB42 ST37,5)	1
6	1545892	(Seat module complete with cover standard for standard frame SB44 ST37,5)	1
7	1545893	(Seat module complete with cover standard for standard frame SB46 ST37,5)	1
8	1545894	(Seat module complete with cover standard for standard frame SB48 ST37,5)	1
9	1545895	(Seat module complete with cover standard for standard frame SB34 ST40)	1
10	1545896	(Seat module complete with cover standard for standard frame SB36 ST40)	1
11	1545897	(Seat module complete with cover standard for standard frame SB38 ST40)	1
12	1545898	(Seat module complete with cover standard for standard frame SB40 ST40)	1
13	1545899	(Seat module complete with cover standard for standard frame SB42 ST40)	1
14	1545900	(Seat module complete with cover standard for standard frame SB44 ST40)	1
15	1545901	(Seat module complete with cover standard for standard frame SB46 ST40)	1
16	1545902	(Seat module complete with cover standard for standard frame SB48 ST40)	1
17	1545903	(Seat module complete with cover standard for standard frame SB34 ST42,5)	1
18	1545904	(Seat module complete with cover standard for standard frame SB36 ST42,5)	1

**(Seat frame, cover standard)**

19	1545905	(Seat module complete with cover standard for standard frame SB38 ST42,5)		1
20	1545906	(Seat module complete with cover standard for standard frame SB40 ST42,5)		1
21	1545907	(Seat module complete with cover standard for standard frame SB42 ST42,5)		1
22	1545908	(Seat module complete with cover standard for standard frame SB44 ST42,5)		1
23	1545909	(Seat module complete with cover standard for standard frame SB46 ST42,5)		1
24	1545910	(Seat module complete with cover standard for standard frame SB48 ST42,5)		1
25	1545911	(Seat module complete with cover standard for standard frame SB34 ST45)		1
26	1545912	(Seat module complete with cover standard for standard frame SB36 ST45)		1
27	1545913	(Seat module complete with cover standard for standard frame SB38 ST45)		1
28	1545914	(Seat module complete with cover standard for standard frame SB40 ST45)		1
29	1545915	(Seat module complete with cover standard for standard frame SB42 ST45)		1
30	1545916	SETEMODUL KPL SB44 SD45 K4 G3		1
31	1545917	(Seat module complete with cover standard for standard frame SB46 ST45)		1
32	1545918	(Seat module complete with cover standard for standard frame SB48 ST45)		1
33	1589054	(Seat module complete with cover standard for frame+5 SB34 ST42,5)	01.07.2015 →	1
34	1589055	(Seat module complete with cover standard for frame+5 SB36 ST42,5)	01.07.2015 →	1
35	1589056	(Seat module complete with cover standard for frame+5 SB38 ST42,5)	01.07.2015 →	1
36	1589057	(Seat module complete with cover standard for frame+5 SB40 ST42,5)	01.07.2015 →	1
37	1589058	(Seat module complete with cover standard for frame+5 SB42 ST42,5)	01.07.2015 →	1
38	1589059	(Seat module complete with cover standard for frame+5 SB44 ST42,5)	01.07.2015 →	1
39	1589060	(Seat module complete with cover standard for frame+5 SB46 ST42,5)	01.07.2015 →	1
40	1589061	(Seat module complete with cover standard for frame+5 SB48 ST42,5)	01.07.2015 →	1
41	1545983	(Seat module complete with cover standard for frame+5 SB34 ST45)		1
42	1545984	(Seat module complete with cover standard for frame+5 SB36 ST45)		1
43	1545985	(Seat module complete with cover standard for frame+5 SB38 ST45)		1
44	1545986	(Seat module complete with cover standard for frame+5 SB40 ST45)		1
45	1545987	(Seat module complete with cover standard for frame+5 SB42 ST45)		1
46	1546046	(Seat module complete with cover standard for frame+5 SB44 ST45)		1
47	1546047	(Seat module complete with cover standard for frame+5 SB46 ST45)		1
48	1546048	(Seat module complete with cover standard for frame+5 SB48 ST45)		1
49	1546049	(Seat module complete with cover standard for frame+5 SB34 ST47,5)		1
50	1546060	(Seat module complete with cover standard for frame+5 SB36 ST47,5)		1
51	1546089	(Seat module complete with cover standard for frame+5 SB38 ST47,5)		1
52	1546090	(Seat module complete with cover standard for frame+5 SB40 ST47,5)		1
53	1546091	(Seat module complete with cover standard for frame+5 SB42 ST47,5)		1
54	1546092	(Seat module complete with cover standard for frame+5 SB44 ST47,5)		1
55	1546093	(Seat module complete with cover standard for frame+5 SB46 ST47,5)		1
56	1546094	(Seat module complete with cover standard for frame+5 SB48 ST47,5)		1
57	1546095	(Seat module complete with cover standard for frame+5 SB34 ST50)		1
58	1546096	(Seat module complete with cover standard for frame+5 SB36 ST50)		1
59	1546097	(Seat module complete with cover standard for frame+5 SB38 ST50)		1
60	1546098	(Seat module complete with cover standard for frame+5 SB40 ST50)		1
61	1546099	(Seat module complete with cover standard for frame+5 SB42 ST50)		1
62	1546100	(Seat module complete with cover standard for frame+5 SB44 ST50)		1
63	1546101	(Seat module complete with cover standard for frame+5 SB46 ST50)		1

**(Seat frame, cover standard)**


64	1546102	(Seat module complete with cover standard for frame+5 SB48 ST50)	1
65	1546103	(Seat module complete with cover standard for frame+5 SB34 ST52,5)	1
66	1546104	(Seat module complete with cover standard for frame+5 SB36 ST52,5)	1
67	1546105	(Seat module complete with cover standard for frame+5 SB38 ST52,5)	1
68	1546106	(Seat module complete with cover standard for frame+5 SB40 ST52,5)	1
69	1546107	(Seat module complete with cover standard for frame+5 SB42 ST52,5)	1
70	1546108	(Seat module complete with cover standard for frame+5 SB44 ST52,5)	1
71	1546109	(Seat module complete with cover standard for frame+5 SB46 ST52,5)	1
72	1546110	(Seat module complete with cover standard for frame+5 SB48 ST52,5)	1
73	1546307	(Seatcover standard complete SB34 ST37,5 for frame standard)	1
74	1546308	(Seatcover standard complete SB36 ST37,5 for frame standard)	1
75	1546309	(Seatcover standard complete SB38 ST37,5 for frame standard)	1
76	1546310	(Seatcover standard complete SB40 ST37,5 for frame standard)	1
77	1546344	(Seatcover standard complete SB42 ST37,5 for frame standard)	1
78	1546345	(Seatcover standard complete SB44 ST37,5 for frame standard)	1
79	1546346	(Seatcover standard complete SB46 ST37,5 for frame standard)	1
80	1546347	(Seatcover standard complete SB48 ST37,5 for frame standard)	1
81	1546348	(Seatcover standard complete SB34 ST40 for frame standard)	1
82	1546349	(Seatcover standard complete SB36 ST40 for frame standard)	1
83	1546350	(Seatcover standard complete SB38 ST40 for frame standard)	1
84	1546351	(Seatcover standard complete SB40 ST40 for frame standard)	1
85	1546352	(Seatcover standard complete SB42 ST40 for frame standard)	1
86	1546353	(Seatcover standard complete SB44 ST40 for frame standard)	1
87	1546354	(Seatcover standard complete SB46 ST40 for frame standard)	1
88	1546355	(Seatcover standard complete SB48 ST40 for frame standard)	1
89	1546356	(Seatcover standard complete SB34 ST42,5 for frame standard)	1
90	1546357	(Seatcover standard complete SB36 ST42,5 for frame standard)	1
91	1546358	(Seatcover standard complete SB38 ST42,5 for frame standard)	1
92	1546359	SETETREKK K4 SB40 ST42,5 K4	1
93	1546360	(Seatcover standard complete SB42 ST42,5 for frame standard)	1
94	1546361	(Seatcover standard complete SB44 ST42,5 for frame standard)	1
95	1546362	(Seatcover standard complete SB46 ST42,5 for frame standard)	1
96	1546363	(Seatcover standard complete SB48 ST42,5 for frame standard)	1
97	1546364	(Seatcover standard complete SB34 ST45 for frame standard/+5)	1
98	1546365	(Seatcover standard complete SB36 ST45 for frame standard/+5)	1
99	1546366	(Seatcover standard complete SB38 ST45 for frame standard/+5)	1
100	1546367	SETETREKK STANDARD SB40 SD45 K4G3	1
101	1546368	(Seatcover standard complete SB42 ST45 for frame standard/+5)	1
102	1546369	(Seatcover standard complete SB44 ST45 for frame standard/+5)	1
103	1546370	(Seatcover standard complete SB46 ST45 for frame standard/+5)	1
104	1546371	(Seatcover standard complete SB48 ST45 for frame standard/+5)	1
105	1546372	(Seatcover standard complete SB34 ST47,5 for frame +5)	1
106	1546373	(Seatcover standard complete SB36 ST47,5 for frame +5)	1
107	1546374	(Seatcover standard complete SB38 ST47,5 for frame +5)	1
108	1546375	(Seatcover standard complete SB40 ST47,5 for frame +5)	1
109	1546376	(Seatcover standard complete SB42 ST47,5 for frame +5)	1
110	1546377	(Seatcover standard complete SB44 ST47,5 for frame +5)	1
111	1546378	(Seatcover standard complete SB46 ST47,5 for frame +5)	1
112	1546379	(Seatcover standard complete SB48 ST47,5 for frame +5)	1
113	1546380	(Seatcover standard complete SB34 ST50 for frame +5)	1
114	1546381	(Seatcover standard complete SB36 ST50 for frame +5)	1
115	1546382	(Seatcover standard complete SB38 ST50 for frame +5)	1
116	1546383	(Seatcover standard complete SB40 ST50 for frame +5)	1
117	1546384	(Seatcover standard complete SB42 ST50 for frame +5)	1
118	1546385	(Seatcover standard complete SB44 ST50 for frame +5)	1

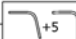
**(Seat frame, cover standard)**

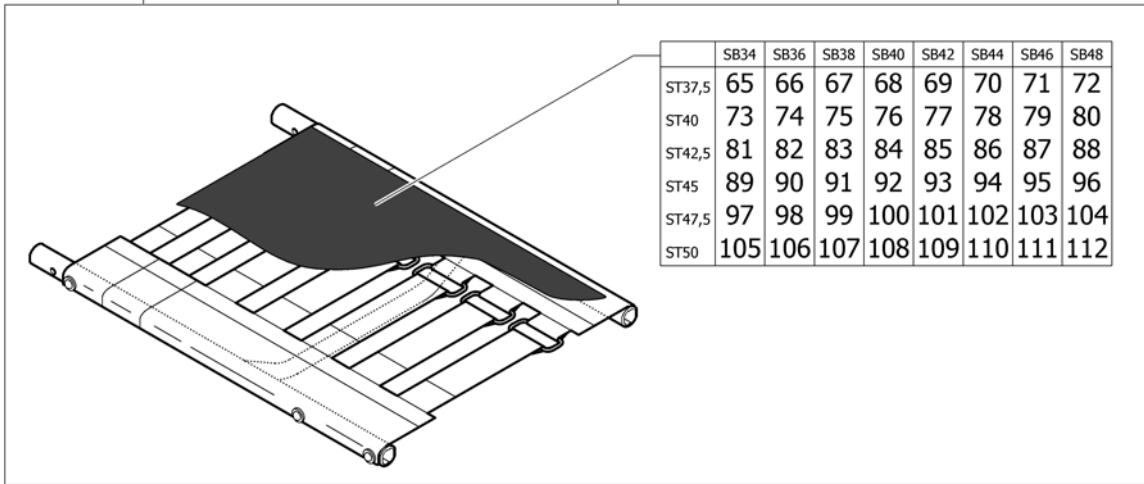
---

119	1546386	(Seatcover standard complete SB46 ST50 for frame +5)	1
120	1546387	(Seatcover standard complete SB48 ST50 for frame +5)	1
121	1546388	(Seatcover standard complete SB34 ST52,5 for frame +5)	1
122	1546389	(Seatcover standard complete SB36 ST52,5 for frame +5)	1
123	1546390	(Seatcover standard complete SB38 ST52,5 for frame +5)	1
124	1546391	(Seatcover standard complete SB40 ST52,5 for frame +5)	1
125	1546392	(Seatcover standard complete SB42 ST52,5 for frame +5)	1
126	1546393	(Seatcover standard complete SB44 ST52,5 for frame +5)	1
127	1546394	(Seatcover standard complete SB46 ST52,5 for frame +5)	1
128	1546395	(Seatcover standard complete SB48 ST52,5 for frame +5)	1

**(Seat frame, cover tension adjustable)**

	SB34	SB36	SB38	SB40	SB42	SB44	SB46	SB48
ST37,5	1	2	3	4	5	6	7	8
ST40	9	10	11	12	13	14	15	16
ST42,5	17	18	19	20	21	22	23	24
ST45	25	26	27	28	29	30	31	32

	+5	SB34	SB36	SB38	SB40	SB42	SB44	SB46	SB48
ST42,5	33	34	35	36	37	38	39	40	
ST45	41	42	43	44	45	46	47	48	
ST47,5	49	50	51	52	53	54	55	56	
ST50	57	58	59	60	61	62	63	64	



1	1545919	(Seat module complete with cover adjustable for standard frame SB34 ST37,5)	1
2	1545920	(Seat module complete with cover adjustable for standard frame SB36 ST37,5)	1
3	1545921	(Seat module complete with cover adjustable for standard frame SB38 ST37,5)	1
4	1545922	(Seat module complete with cover adjustable for standard frame SB40 ST37,5)	1
5	1545923	(Seat module complete with cover adjustable for standard frame SB42 ST37,5)	1
6	1545924	(Seat module complete with cover adjustable for standard frame SB44 ST37,5)	1
7	1545925	(Seat module complete with cover adjustable for standard frame SB46 ST37,5)	1
8	1545926	(Seat module complete with cover adjustable for standard frame SB48 ST37,5)	1
9	1545927	(Seat module complete with cover adjustable for standard frame SB34 ST40)	1
10	1545928	(Seat module complete with cover adjustable for standard frame SB36 ST40)	1
11	1545929	(Seat module complete with cover adjustable for standard frame SB38 ST40)	1
12	1545930	(Seat module complete with cover adjustable for standard frame SB40 ST40)	1
13	1545931	(Seat module complete with cover adjustable for standard frame SB42 ST40)	1
14	1545932	(Seat module complete with cover adjustable for standard frame SB44 ST40)	1
15	1545933	(Seat module complete with cover adjustable for standard frame SB46 ST40)	1
16	1545934	(Seat module complete with cover adjustable for standard frame SB48 ST40)	1
17	1545935	(Seat module complete with cover adjustable for standard frame SB34 ST42,5)	1
18	1545936	(Seat module complete with cover adjustable for standard frame SB36 ST42,5)	1

**(Seat frame, cover tension adjustable)**

19	1545937	(Seat module complete with cover adjustable for standard frame SB38 ST42,5)		1
20	1545938	(Seat module complete with cover adjustable for standard frame SB40 ST42,5)		1
21	1545939	(Seat module complete with cover adjustable for standard frame SB42 ST42,5)		1
22	1545940	(Seat module complete with cover adjustable for standard frame SB44 ST42,5)		1
23	1545941	(Seat module complete with cover adjustable for standard frame SB46 ST42,5)		1
24	1545942	(Seat module complete with cover adjustable for standard frame SB48 ST42,5)		1
25	1545943	(Seat module complete with cover adjustable for standard frame SB34 ST45)		1
26	1545944	(Seat module complete with cover adjustable for standard frame SB36 ST45)		1
27	1545945	(Seat module complete with cover adjustable for standard frame SB38 ST45)		1
28	1545946	(Seat module complete with cover adjustable for standard frame SB40 ST45)		1
29	1545947	(Seat module complete with cover adjustable for standard frame SB42 ST45)		1
30	1545948	(Seat module complete with cover adjustable for standard frame SB44 ST45)		1
31	1545949	(Seat module complete with cover adjustable for standard frame SB46 ST45)		1
32	1545950	(Seat module complete with cover adjustable for standard frame SB48 ST45)		1
33	1589062	(Seat module complete with cover adjustable for frame+5 SB34 ST42,5)	01.07.2015 →	1
34	1589063	(Seat module complete with cover adjustable for frame+5 SB36 ST42,5)	01.07.2015 →	1
35	1589064	(Seat module complete with cover adjustable for frame+5 SB38 ST42,5)	01.07.2015 →	1
36	1589065	(Seat module complete with cover adjustable for frame+5 SB40 ST42,5)	01.07.2015 →	1
37	1589066	(Seat module complete with cover adjustable for frame+5 SB42 ST42,5)	01.07.2015 →	1
38	1589067	(Seat module complete with cover adjustable for frame+5 SB44 ST42,5)	01.07.2015 →	1
39	1589068	(Seat module complete with cover adjustable for frame+5 SB46 ST42,5)	01.07.2015 →	1
40	1589069	(Seat module complete with cover adjustable for frame+5 SB48 ST42,5)	01.07.2015 →	1
41	1546111	(Seat module complete with cover adjustable for frame+5 SB34 ST45)		1
42	1546112	(Seat module complete with cover adjustable for frame+5 SB36 ST45)		1
43	1546113	(Seat module complete with cover adjustable for frame+5 SB38 ST45)		1
44	1546114	(Seat module complete with cover adjustable for frame+5 SB40 ST45)		1
45	1546115	(Seat module complete with cover adjustable for frame+5 SB42 ST45)		1
46	1546116	(Seat module complete with cover adjustable for frame+5 SB44 ST45)		1
47	1546117	(Seat module complete with cover adjustable for frame+5 SB46 ST45)		1
48	1546118	(Seat module complete with cover adjustable for frame+5 SB48 ST45)		1
49	1546119	(Seat module complete with cover adjustable for frame+5 SB34 ST47,5)		1
50	1546120	(Seat module complete with cover adjustable for frame+5 SB36 ST47,5)		1
51	1546121	(Seat module complete with cover adjustable for frame+5 SB38 ST47,5)		1
52	1546122	(Seat module complete with cover adjustable for frame+5 SB40 ST47,5)		1
53	1546123	(Seat module complete with cover adjustable for frame+5 SB42 ST47,5)		1
54	1546124	(Seat module complete with cover adjustable for frame+5 SB44 ST47,5)		1
55	1546125	(Seat module complete with cover adjustable for frame+5 SB46 ST47,5)		1
56	1546126	(Seat module complete with cover adjustable for frame+5 SB48 ST47,5)		1
57	1546127	(Seat module complete with cover adjustable for frame+5 SB34 ST50)		1
58	1546128	(Seat module complete with cover adjustable for frame+5 SB36 ST50)		1
59	1546129	(Seat module complete with cover adjustable for frame+5 SB38 ST50)		1
60	1546130	(Seat module complete with cover adjustable for frame+5 SB40 ST50)		1
61	1546131	(Seat module complete with cover adjustable for frame+5 SB42 ST50)		1
62	1546132	(Seat module complete with cover adjustable for frame+5 SB44 ST50)		1
63	1546133	(Seat module complete with cover adjustable for frame+5 SB46 ST50)		1

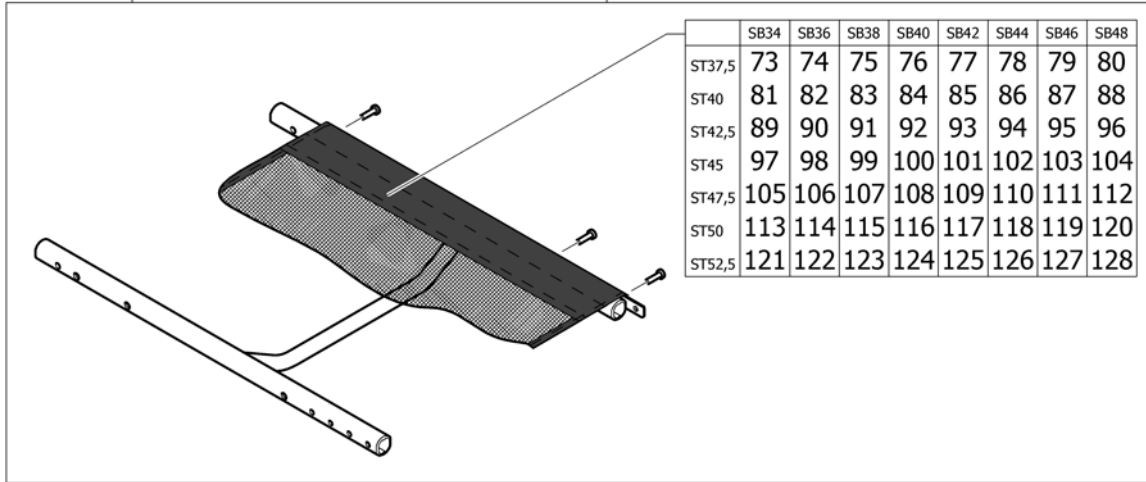
**(Seat frame, cover tension adjustable)**

64	1546134	(Seat module complete with cover adjustable for frame+5 SB48 ST50)	1
65	1546396	(Seatcover adjustable complete SB34 ST37,5 for frame standard)	1
66	1546397	(Seatcover adjustable complete SB36 ST37,5 for frame standard)	1
67	1546398	(Seatcover adjustable complete SB38 ST37,5 for frame standard)	1
68	1546399	(Seatcover adjustable complete SB40 ST37,5 for frame standard)	1
69	1546400	(Seatcover adjustable complete SB42 ST37,5 for frame standard)	1
70	1546401	(Seatcover adjustable complete SB44 ST37,5 for frame standard)	1
71	1546402	(Seatcover adjustable complete SB46 ST37,5 for frame standard)	1
72	1546403	(Seatcover adjustable complete SB48 ST37,5 for frame standard)	1
73	1546455	(Seatcover adjustable complete SB34 ST40 for frame standard)	1
74	1546456	(Seatcover adjustable complete SB36 ST40 for frame standard)	1
75	1546457	(Seatcover adjustable complete SB38 ST40 for frame standard)	1
76	1546458	(Seatcover adjustable complete SB40 ST40 for frame standard)	1
77	1546459	(Seatcover adjustable complete SB42 ST40 for frame standard)	1
78	1546460	(Seatcover adjustable complete SB44 ST40 for frame standard)	1
79	1546461	(Seatcover adjustable complete SB46 ST40 for frame standard)	1
80	1546462	(Seatcover adjustable complete SB48 ST40 for frame standard)	1
81	1546463	(Seatcover adjustable complete SB34 ST42,5 for frame standard)	1
82	1546464	(Seatcover adjustable complete SB36 ST42,5 for frame standard)	1
83	1546465	(Seatcover adjustable complete SB38 ST42,5 for frame standard)	1
84	1546466	(Seatcover adjustable complete SB40 ST42,5 for frame standard)	1
85	1546467	(Seatcover adjustable complete SB42 ST42,5 for frame standard)	1
86	1546468	(Seatcover adjustable complete SB44 ST42,5 for frame standard)	1
87	1546469	(Seatcover adjustable complete SB46 ST42,5 for frame standard)	1
88	1546470	(Seatcover adjustable complete SB48 ST42,5 for frame standard)	1
89	1546471	(Seatcover adjustable complete SB34 ST45 for frame standard/+5)	1
90	1546472	(Seatcover adjustable complete SB36 ST45 for frame standard/+5)	1
91	1546473	(Seatcover adjustable complete SB38 ST45 for frame standard/+5)	1
92	1546474	(Seatcover adjustable complete SB40 ST45 for frame standard/+5)	1
93	1546475	(Seatcover adjustable complete SB42 ST45 for frame standard/+5)	1
94	1546476	(Seatcover adjustable complete SB44 ST45 for frame standard/+5)	1
95	1546477	(Seatcover adjustable complete SB46 ST45 for frame standard/+5)	1
96	1546478	(Seatcover adjustable complete SB48 ST45 for frame standard/+5)	1
97	1546479	(Seatcover adjustable complete SB34 ST47,5 for frame +5)	1
98	1546480	(Seatcover adjustable complete SB36 ST47,5 for frame +5)	1
99	1546481	(Seatcover adjustable complete SB38 ST47,5 for frame +5)	1
100	1546482	(Seatcover adjustable complete SB40 ST47,5 for frame +5)	1
101	1546483	(Seatcover adjustable complete SB42 ST47,5 for frame +5)	1
102	1546484	(Seatcover adjustable complete SB44 ST47,5 for frame +5)	1
103	1546485	(Seatcover adjustable complete SB46 ST47,5 for frame +5)	1
104	1546486	(Seatcover adjustable complete SB48 ST47,5 for frame +5)	1
105	1546487	(Seatcover adjustable complete SB34 ST50 for frame +5)	1
106	1546488	(Seatcover adjustable complete SB36 ST50 for frame +5)	1
107	1546489	(Seatcover adjustable complete SB38 ST50 for frame +5)	1
108	1546490	(Seatcover adjustable complete SB40 ST50 for frame +5)	1
109	1546491	(Seatcover adjustable complete SB42 ST50 for frame +5)	1
110	1546492	(Seatcover adjustable complete SB44 ST50 for frame +5)	1
111	1546493	(Seatcover adjustable complete SB46 ST50 for frame +5)	1
112	1546494	(Seatcover adjustable complete SB48 ST50 for frame +5)	1



	SB34	SB36	SB38	SB40	SB42	SB44	SB46	SB48
ST37,5	1	2	3	4	5	6	7	8
ST40	9	10	11	12	13	14	15	16
ST42,5	17	18	19	20	21	22	23	24
ST45	25	26	27	28	29	30	31	32

	+5	SB34	SB36	SB38	SB40	SB42	SB44	SB46	SB48
ST42,5	33	34	35	36	37	38	39	40	
ST45	41	42	43	44	45	46	47	48	
ST47,5	49	50	51	52	53	54	55	56	
ST50	57	58	59	60	61	62	63	64	
ST52,5	65	66	67	68	69	70	71	72	



1	1545951	(Seat module complete with cover light for standard frame SB34 ST37,5)	1
2	1545952	(Seat module complete with cover light for standard frame SB36 ST37,5)	1
3	1545953	(Seat module complete with cover light for standard frame SB38 ST37,5)	1
4	1545954	(Seat module complete with cover light for standard frame SB40 ST37,5)	1
5	1545955	(Seat module complete with cover light for standard frame SB42 ST37,5)	1
6	1545956	(Seat module complete with cover light for standard frame SB44 ST37,5)	1
7	1545957	(Seat module complete with cover light for standard frame SB46 ST37,5)	1
8	1545958	(Seat module complete with cover light for standard frame SB48 ST37,5)	1
9	1545959	(Seat module complete with cover light for standard frame SB34 ST40)	1
10	1545960	(Seat module complete with cover light for standard frame SB36 ST40)	1
11	1545961	(Seat module complete with cover light for standard frame SB38 ST40)	1
12	1545962	(Seat module complete with cover light for standard frame SB40 ST40)	1
13	1545963	(Seat module complete with cover light for standard frame SB42 ST40)	1
14	1545964	(Seat module complete with cover light for standard frame SB44 ST40)	1
15	1545965	(Seat module complete with cover light for standard frame SB46 ST40)	1
16	1545966	(Seat module complete with cover light for standard frame SB48 ST40)	1
17	1545967	(Seat module complete with cover light for standard frame SB34 ST42,5)	1
18	1545968	(Seat module complete with cover light for standard frame SB36 ST42,5)	1
19	1545969	(Seat module complete with cover light for standard frame SB38 ST42,5)	1
20	1545970	(Seat module complete with cover light for standard frame SB40 ST42,5)	1
21	1545971	(Seat module complete with cover light for standard frame SB42 ST42,5)	1
22	1545972	(Seat module complete with cover light for standard frame SB44 ST42,5)	1
23	1545973	(Seat module complete with cover light for standard frame SB46 ST42,5)	1
24	1545974	(Seat module complete with cover light for standard frame SB48 ST42,5)	1
25	1545975	(Seat module complete with cover light for standard frame SB34 ST45)	1
26	1545976	(Seat module complete with cover light for standard frame SB36 ST45)	1
27	1545977	(Seat module complete with cover light for standard frame SB38 ST45)	1
28	1545978	(Seat module complete with cover light for standard frame SB40 ST45)	1
29	1545979	(Seat module complete with cover light for standard frame SB42 ST45)	1
30	1545980	(Seat module complete with cover light for standard frame SB44 ST45)	1
31	1545981	(Seat module complete with cover light for standard frame SB46 ST45)	1

**(Seat frame, cover light)**

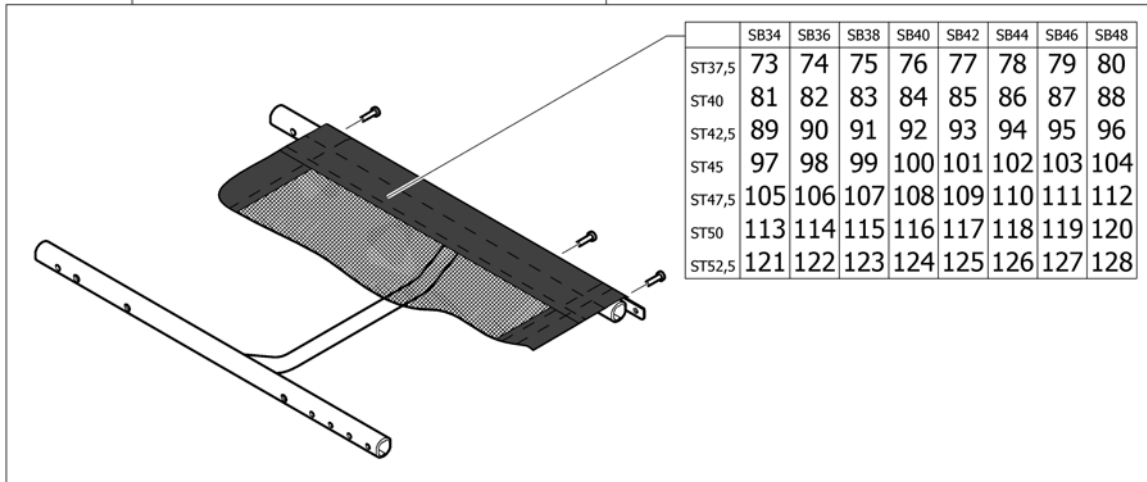
32	1545982	(Seat module complete with cover light for standard frame SB48 ST45)		1
33	1589070	(Seat module complete with cover light for frame+5 SB34 ST42,5)	01.07.2015 →	1
34	1589071	(Seat module complete with cover light for frame+5 SB36 ST42,5)	01.07.2015 →	1
35	1589072	(Seat module complete with cover light for frame+5 SB38 ST42,5)	01.07.2015 →	1
36	1589073	(Seat module complete with cover light for frame+5 SB40 ST42,5)	01.07.2015 →	1
37	1589074	(Seat module complete with cover light for frame+5 SB42 ST42,5)	01.07.2015 →	1
38	1589075	(Seat module complete with cover light for frame+5 SB44 ST42,5)	01.07.2015 →	1
39	1589076	(Seat module complete with cover light for frame+5 SB46 ST42,5)	01.07.2015 →	1
40	1589077	(Seat module complete with cover light for frame+5 SB48 ST42,5)	01.07.2015 →	1
41	1546143	(Seat module complete with cover light for frame+5 SB34 ST45)		1
42	1546144	(Seat module complete with cover light for frame+5 SB36 ST45)		1
43	1546145	(Seat module complete with cover light for frame+5 SB38 ST45)		1
44	1546146	(Seat module complete with cover light for frame+5 SB40 ST45)		1
45	1546147	(Seat module complete with cover light for frame+5 SB42 ST45)		1
46	1546148	(Seat module complete with cover light for frame+5 SB44 ST45)		1
47	1546266	(Seat module complete with cover light for frame+5 SB46 ST45)		1
48	1546267	(Seat module complete with cover light for frame+5 SB48 ST45)		1
49	1546268	(Seat module complete with cover light for frame+5 SB34 ST47,5)		1
50	1546269	(Seat module complete with cover light for frame+5 SB36 ST47,5)		1
51	1546270	(Seat module complete with cover light for frame+5 SB38 ST47,5)		1
52	1546271	(Seat module complete with cover light for frame+5 SB40 ST47,5)		1
53	1546272	(Seat module complete with cover light for frame+5 SB42 ST47,5)		1
54	1546273	(Seat module complete with cover light for frame+5 SB44 ST47,5)		1
55	1546274	(Seat module complete with cover light for frame+5 SB46 ST47,5)		1
56	1546275	(Seat module complete with cover light for frame+5 SB48 ST47,5)		1
57	1546276	(Seat module complete with cover light for frame+5 SB34 ST50)		1
58	1546277	(Seat module complete with cover light for frame+5 SB36 ST50)		1
59	1546278	(Seat module complete with cover light for frame+5 SB38 ST50)		1
60	1546279	(Seat module complete with cover light for frame+5 SB40 ST50)		1
61	1546280	(Seat module complete with cover light for frame+5 SB42 ST50)		1
62	1546281	(Seat module complete with cover light for frame+5 SB44 ST50)		1
63	1546282	(Seat module complete with cover light for frame+5 SB46 ST50)		1
64	1546283	(Seat module complete with cover light for frame+5 SB48 ST50)		1
65	1546284	(Seat module complete with cover light for frame+5 SB34 ST52,5)		1
66	1546285	(Seat module complete with cover light for frame+5 SB36 ST52,5)		1
67	1546301	(Seat module complete with cover light for frame+5 SB38 ST52,5)		1
68	1546302	(Seat module complete with cover light for frame+5 SB40 ST52,5)		1
69	1546303	(Seat module complete with cover light for frame+5 SB42 ST52,5)		1
70	1546304	(Seat module complete with cover light for frame+5 SB44 ST52,5)		1
71	1546305	(Seat module complete with cover light for frame+5 SB46 ST52,5)		1
72	1546306	(Seat module complete with cover light for frame+5 SB48 ST52,5)		1
73	1546503	(Seatcover light complete SB34 ST37,5 for frame standard)		1
74	1546504	(Seatcover light complete SB36 ST37,5 for frame standard)		1
75	1546505	(Seatcover light complete SB38 ST37,5 for frame standard)		1
76	1546506	(Seatcover light complete SB40 ST37,5 for frame standard)		1
77	1546507	(Seatcover light complete SB42 ST37,5 for frame standard)		1
78	1546508	(Seatcover light complete SB44 ST37,5 for frame standard)		1
79	1546509	(Seatcover light complete SB46 ST37,5 for frame standard)		1
80	1546510	(Seatcover light complete SB48 ST37,5 for frame standard)		1
81	1546511	(Seatcover light complete SB34 ST40 for frame standard)		1
82	1546512	(Seatcover light complete SB36 ST40 for frame standard)		1
83	1546513	(Seatcover light complete SB38 ST40 for frame standard)		1
84	1546514	(Seatcover light complete SB40 ST40 for frame standard)		1
85	1546515	(Seatcover light complete SB42 ST40 for frame standard)		1
86	1546516	(Seatcover light complete SB44 ST40 for frame standard)		1

87	1546517	(Seatcover light complete SB46 ST40 for frame standard)	1
88	1546518	(Seatcover light complete SB48 ST40 for frame standard)	1
89	1546519	(Seatcover light complete SB34 ST42,5 for frame standard)	1
90	1546520	(Seatcover light complete SB36 ST42,5 for frame standard)	1
91	1546521	(Seatcover light complete SB38 ST42,5 for frame standard)	1
92	1546522	(Seatcover light complete SB40 ST42,5 for frame standard)	1
93	1546523	(Seatcover light complete SB42 ST42,5 for frame standard)	1
94	1546524	(Seatcover light complete SB44 ST42,5 for frame standard)	1
95	1546525	(Seatcover light complete SB46 ST42,5 for frame standard)	1
96	1546526	(Seatcover light complete SB48 ST42,5 for frame standard)	1
97	1546527	(Seatcover light complete SB34 ST45 for frame standard/+5)	1
98	1546528	(Seatcover light complete SB36 ST45 for frame standard/+5)	1
99	1546529	(Seatcover light complete SB38 ST45 for frame standard/+5)	1
100	1546530	(Seatcover light complete SB40 ST45 for frame standard/+5)	1
101	1546531	(Seatcover light complete SB42 ST45 for frame standard/+5)	1
102	1546532	(Seatcover light complete SB44 ST45 for frame standard/+5)	1
103	1546533	(Seatcover light complete SB46 ST45 for frame standard/+5)	1
104	1546534	(Seatcover light complete SB48 ST45 for frame standard/+5)	1
105	1546535	(Seatcover light complete SB34 ST47,5 for frame +5)	1
106	1546536	(Seatcover light complete SB36 ST47,5 for frame +5)	1
107	1546537	(Seatcover light complete SB38 ST47,5 for frame +5)	1
108	1546538	(Seatcover light complete SB40 ST47,5 for frame +5)	1
109	1546539	(Seatcover light complete SB42 ST47,5 for frame +5)	1
110	1546540	(Seatcover light complete SB44 ST47,5 for frame +5)	1
111	1546541	(Seatcover light complete SB46 ST47,5 for frame +5)	1
112	1546542	(Seatcover light complete SB48 ST47,5 for frame +5)	1
113	1546543	(Seatcover light complete SB34 ST50 for frame +5)	1
114	1546544	(Seatcover light complete SB36 ST50 for frame +5)	1
115	1546574	(Seatcover light complete SB38 ST50 for frame +5)	1
116	1546575	(Seatcover light complete SB40 ST50 for frame +5)	1
117	1546576	(Seatcover light complete SB42 ST50 for frame +5)	1
118	1546577	(Seatcover light complete SB44 ST50 for frame +5)	1
119	1546578	(Seatcover light complete SB46 ST50 for frame +5)	1
120	1546609	(Seatcover light complete SB48 ST50 for frame +5)	1
121	1546610	(Seatcover light complete SB34 ST52,5 for frame +5)	1
122	1546659	(Seatcover light complete SB36 ST52,5 for frame +5)	1
123	1546660	(Seatcover light complete SB38 ST52,5 for frame +5)	1
124	1546661	(Seatcover light complete SB40 ST52,5 for frame +5)	1
125	1546662	(Seatcover light complete SB42 ST52,5 for frame +5)	1
126	1546663	(Seatcover light complete SB44 ST52,5 for frame +5)	1
127	1546664	(Seatcover light complete SB46 ST52,5 for frame +5)	1
128	1546665	(Seatcover light complete SB48 ST52,5 for frame +5)	1

## (Seat frame, cover light for seat upholstery bag)

	SB34	SB36	SB38	SB40	SB42	SB44	SB46	SB48
ST37,5	1	2	3	4	5	6	7	8
ST40	9	10	11	12	13	14	15	16
ST42,5	17	18	19	20	21	22	23	24
ST45	25	26	27	28	29	30	31	32

	+5	SB34	SB36	SB38	SB40	SB42	SB44	SB46	SB48
ST42,5	33	34	35	36	37	38	39	40	
ST45	41	42	43	44	45	46	47	48	
ST47,5	49	50	51	52	53	54	55	56	
ST50	57	58	59	60	61	62	63	64	
ST52,5	65	66	67	68	69	70	71	72	



1	SP1590438	(Seat module complete with seatcover light for seat upholstery bag for standard frame SB34 ST37,5)	1
2	SP1590439	(Seat module complete with seatcover light for seat upholstery bag for standard frame SB36 ST37,5)	1
3	SP1590440	(Seat module complete with seatcover light for seat upholstery bag for standard frame SB38 ST37,5)	1
4	SP1590467	(Seat module complete with seatcover light for seat upholstery bag for standard frame SB40 ST37,5)	1
5	SP1590468	(Seat module complete with seatcover light for seat upholstery bag for standard frame SB42 ST37,5)	1
6	SP1590469	(Seat module complete with seatcover light for seat upholstery bag for standard frame SB44 ST37,5)	1
7	SP1590470	(Seat module complete with seatcover light for seat upholstery bag for standard frame SB46 ST37,5)	1
8	SP1590471	(Seat module complete with seatcover light for seat upholstery bag for standard frame SB48 ST37,5)	1
9	SP1590472	(Seat module complete with seatcover light for seat upholstery bag for standard frame SB34 ST40)	1
10	SP1590473	(Seat module complete with seatcover light for seat upholstery bag for standard frame SB36 ST40)	1
11	SP1590474	(Seat module complete with seatcover light for seat upholstery bag for standard frame SB38 ST40)	1
12	SP1590475	(Seat module complete with seatcover light for seat upholstery bag for standard frame SB40 ST40)	1
13	SP1590476	(Seat module complete with seatcover light for seat upholstery bag for standard frame SB42 ST40)	1
14	SP1590477	(Seat module complete with seatcover light for seat upholstery bag for standard frame SB44 ST40)	1
15	SP1590478	(Seat module complete with seatcover light for seat upholstery bag for standard frame SB46 ST40)	1
16	SP1590479	(Seat module complete with seatcover light for seat upholstery bag for standard frame SB48 ST40)	1
17	SP1590485	(Seat module complete with seatcover light for seat upholstery bag for standard frame SB34 ST42,5)	1
18	SP1590486	(Seat module complete with seatcover light for seat upholstery bag for standard frame SB36 ST42,5)	1

**(Seat frame, cover light for seat upholstery bag)**

19	SP1590487	(Seat module complete with seatcover light for seat upholstery bag for standard frame SB38 ST42,5)		1
20	SP1590488	(Seat module complete with seatcover light for seat upholstery bag for standard frame SB40 ST42,5)		1
21	SP1590489	(Seat module complete with seatcover light for seat upholstery bag for standard frame SB42 ST42,5)		1
22	SP1590490	(Seat module complete with seatcover light for seat upholstery bag for standard frame SB44 ST42,5)		1
23	SP1590491	(Seat module complete with seatcover light for seat upholstery bag for standard frame SB46 ST42,5)		1
24	SP1590492	(Seat module complete with seatcover light for seat upholstery bag for standard frame SB48 ST42,5)		1
25	SP1590493	(Seat module complete with seatcover light for seat upholstery bag for standard frame SB34 ST45)		1
26	SP1590494	(Seat module complete with seatcover light for seat upholstery bag for standard frame SB36 ST45)		1
27	SP1590495	(Seat module complete with seatcover light for seat upholstery bag for standard frame SB38 ST45)		1
28	SP1590496	(Seat module complete with seatcover light for seat upholstery bag for standard frame SB40 ST45)		1
29	SP1590497	(Seat module complete with seatcover light for seat upholstery bag for standard frame SB42 ST45)		1
30	SP1590498	(Seat module complete with seatcover light for seat upholstery bag for standard frame SB44 ST45)		1
31	SP1590499	(Seat module complete with seatcover light for seat upholstery bag for standard frame SB46 ST45)		1
32	SP1590500	(Seat module complete with seatcover light for seat upholstery bag for standard frame SB48 ST45)		1
33	SP1590849	(Seat module complete with seatcover light for seat upholstery bag for frame+5 SB34 ST42,5)	01.07.2015 →	1
34	SP1590984	(Seat module complete with seatcover light for seat upholstery bag for frame+5 SB36 ST42,5)	01.07.2015 →	1
35	SP1590985	(Seat module complete with seatcover light for seat upholstery bag for frame+5 SB38 ST42,5)	01.07.2015 →	1
36	SP1590986	(Seat module complete with seatcover light for seat upholstery bag for frame+5 SB40 ST42,5)	01.07.2015 →	1
37	SP1590987	(Seat module complete with seatcover light for seat upholstery bag for frame+5 SB42 ST42,5)	01.07.2015 →	1
38	SP1590988	(Seat module complete with seatcover light for seat upholstery bag for frame+5 SB44 ST42,5)	01.07.2015 →	1
39	SP1591179	(Seat module complete with seatcover light for seat upholstery bag for frame+5 SB46 ST42,5)	01.07.2015 →	1
40	SP1591180	(Seat module complete with seatcover light for seat upholstery bag for frame+5 SB48 ST42,5)	01.07.2015 →	1
41	SP1591271	(Seat module complete with seatcover light for seat upholstery bag for frame+5 SB34 ST45)		1
42	SP1591272	(Seat module complete with seatcover light for seat upholstery bag for frame+5 SB36 ST45)		1
43	SP1591273	(Seat module complete with seatcover light for seat upholstery bag for frame+5 SB38 ST45)		1
44	SP1591274	(Seat module complete with seatcover light for seat upholstery bag for frame+5 SB40 ST45)		1
45	SP1591275	(Seat module complete with seatcover light for seat upholstery bag for frame+5 SB42 ST45)		1
46	SP1591276	(Seat module complete with seatcover light for seat upholstery bag for frame+5 SB44 ST45)		1
47	SP1591277	(Seat module complete with seatcover light for seat upholstery bag for frame+5 SB46 ST45)		1
48	SP1591278	(Seat module complete with seatcover light for seat upholstery bag for frame+5 SB48 ST45)		1
49	SP1591285	(Seat module complete with seatcover light for seat upholstery bag for frame+5 SB34 ST47,5)		1

**(Seat frame, cover light for seat upholstery bag)**

50	SP1591286	(Seat module complete with seatcover light for seat upholstery bag for frame+5 SB36 ST47,5)	1
51	SP1591287	(Seat module complete with seatcover light for seat upholstery bag for frame+5 SB38 ST47,5)	1
52	SP1591288	(Seat module complete with seatcover light for seat upholstery bag for frame+5 SB40 ST47,5)	1
53	SP1591289	(Seat module complete with seatcover light for seat upholstery bag for frame+5 SB42 ST47,5)	1
54	SP1591302	(Seat module complete with seatcover light for seat upholstery bag for frame+5 SB44 ST47,5)	1
55	SP1601568	(Seat module complete with seatcover light for seat upholstery bag for frame+5 SB46 ST47,5)	1
56	SP1601569	(Seat module complete with seatcover light for seat upholstery bag for frame+5 SB48 ST47,5)	1
57	SP1601570	(Seat module complete with seatcover light for seat upholstery bag for frame+5 SB34 ST50)	1
58	SP1601571	(Seat module complete with seatcover light for seat upholstery bag for frame+5 SB36 ST50)	1
59	SP1601572	(Seat module complete with seatcover light for seat upholstery bag for frame+5 SB38 ST50)	1
60	SP1601573	(Seat module complete with seatcover light for seat upholstery bag for frame+5 SB40 ST50)	1
61	SP1601574	(Seat module complete with seatcover light for seat upholstery bag for frame+5 SB42 ST50)	1
62	SP1601575	(Seat module complete with seatcover light for seat upholstery bag for frame+5 SB44 ST50)	1
63	SP1601576	(Seat module complete with seatcover light for seat upholstery bag for frame+5 SB46 ST50)	1
64	SP1601577	(Seat module complete with seatcover light for seat upholstery bag for frame+5 SB48 ST50)	1
65	SP1601578	(Seat module complete with seatcover light for seat upholstery bag for frame+5 SB34 ST52,5)	1
66	SP1601579	(Seat module complete with seatcover light for seat upholstery bag for frame+5 SB36 ST52,5)	1
67	SP1601580	(Seat module complete with seatcover light for seat upholstery bag for frame+5 SB38 ST52,5)	1
68	SP1601581	(Seat module complete with seatcover light for seat upholstery bag for frame+5 SB40 ST52,5)	1
69	SP1601582	(Seat module complete with seatcover light for seat upholstery bag for frame+5 SB42 ST52,5)	1
70	SP1601583	(Seat module complete with seatcover light for seat upholstery bag for frame+5 SB44 ST52,5)	1
71	SP1601627	(Seat module complete with seatcover light for seat upholstery bag for frame+5 SB46 ST52,5)	1
72	SP1601730	(Seat module complete with seatcover light for seat upholstery bag for frame+5 SB48 ST52,5)	1
73	SP1590126	(Seatcover light for Seat upholstery bag complete SB34 ST37,5 for frame standard)	1
74	SP1590127	(Seatcover light for Seat upholstery bag complete SB36 ST37,5 for frame standard)	1
75	SP1590128	(Seatcover light for Seat upholstery bag complete SB38 ST37,5 for frame standard)	1
76	SP1590129	(Seatcover light for Seat upholstery bag complete SB40 ST37,5 for frame standard)	1
77	SP1590217	(Seatcover light for Seat upholstery bag complete SB42 ST37,5 for frame standard)	1
78	SP1590218	(Seatcover light for Seat upholstery bag complete SB44 ST37,5 for frame standard)	1
79	SP1590219	(Seatcover light for Seat upholstery bag complete SB46 ST37,5 for frame standard)	1
80	SP1590220	(Seatcover light for Seat upholstery bag complete SB48 ST37,5 for frame standard)	1

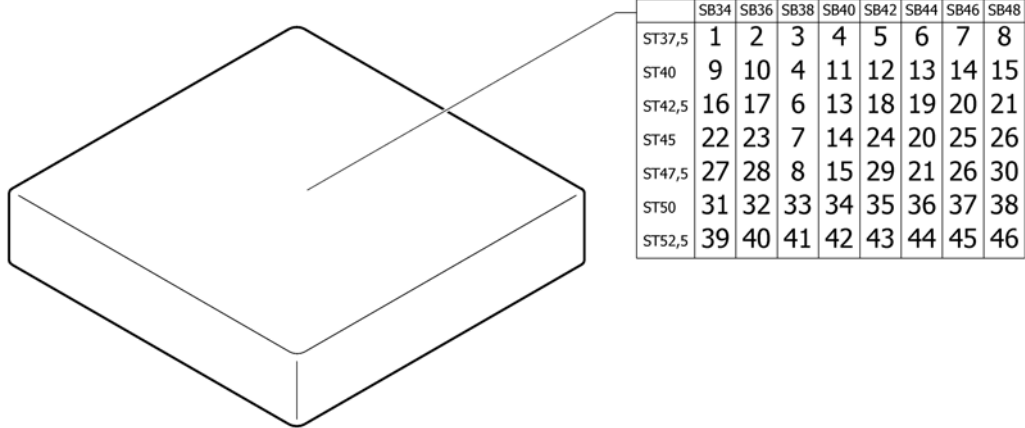
**(Seat frame, cover light for seat upholstery bag)**

81	SP1590221	(Seatcover light for Seat upholstery bag complete SB34 ST40 for frame standard)	1
82	SP1590222	(Seatcover light for Seat upholstery bag complete SB36 ST40 for frame standard)	1
83	SP1590223	(Seatcover light for Seat upholstery bag complete SB38 ST40 for frame standard)	1
84	SP1590224	(Seatcover light for Seat upholstery bag complete SB40 ST40 for frame standard)	1
85	SP1590225	(Seatcover light for Seat upholstery bag complete SB42 ST40 for frame standard)	1
86	SP1590226	(Seatcover light for Seat upholstery bag complete SB44 ST40 for frame standard)	1
87	SP1590267	(Seatcover light for Seat upholstery bag complete SB46 ST40 for frame standard)	1
88	SP1590268	(Seatcover light for Seat upholstery bag complete SB48 ST40 for frame standard)	1
89	SP1590269	(Seatcover light for Seat upholstery bag complete SB34 ST42,5 for frame standard)	1
90	SP1590270	(Seatcover light for Seat upholstery bag complete SB36 ST42,5 for frame standard)	1
91	SP1590271	(Seatcover light for Seat upholstery bag complete SB38 ST42,5 for frame standard)	1
92	SP1590304	(Seatcover light for Seat upholstery bag complete SB40 ST42,5 for frame standard)	1
93	SP1590305	(Seatcover light for Seat upholstery bag complete SB42 ST42,5 for frame standard)	1
94	SP1590306	(Seatcover light for Seat upholstery bag complete SB44 ST42,5 for frame standard)	1
95	SP1590307	(Seatcover light for Seat upholstery bag complete SB46 ST42,5 for frame standard)	1
96	SP1590308	(Seatcover light for Seat upholstery bag complete SB48 ST42,5 for frame standard)	1
97	SP1590309	(Seatcover light for Seat upholstery bag complete SB34 ST45 for frame standard/+5)	1
98	SP1590310	(Seatcover light for Seat upholstery bag complete SB36 ST45 for frame standard/+5)	1
99	SP1590311	(Seatcover light for Seat upholstery bag complete SB38 ST45 for frame standard/+5)	1
100	SP1590312	(Seatcover light for Seat upholstery bag complete SB40 ST45 for frame standard/+5)	1
101	SP1590313	(Seatcover light for Seat upholstery bag complete SB42 ST45 for frame standard/+5)	1
102	SP1590314	(Seatcover light for Seat upholstery bag complete SB44 ST45 for frame standard/+5)	1
103	SP1590315	(Seatcover light for Seat upholstery bag complete SB46 ST45 for frame standard/+5)	1
104	SP1590316	(Seatcover light for Seat upholstery bag complete SB48 ST45 for frame standard/+5)	1
105	SP1590317	(Seatcover light for Seat upholstery bag complete SB34 ST47,5 for frame +5)	1
106	SP1590318	(Seatcover light for Seat upholstery bag complete SB36 ST47,5 for frame +5)	1
107	SP1590319	(Seatcover light for Seat upholstery bag complete SB38 ST47,5 for frame +5)	1
108	SP1590320	(Seatcover light for Seat upholstery bag complete SB40 ST47,5 for frame +5)	1
109	SP1590321	(Seatcover light for Seat upholstery bag complete SB42 ST47,5 for frame +5)	1
110	SP1590322	(Seatcover light for Seat upholstery bag complete SB44 ST47,5 for frame +5)	1
111	SP1590323	(Seatcover light for Seat upholstery bag complete SB46 ST47,5 for frame +5)	1

**(Seat frame, cover light for seat upholstery bag)**

112	SP1590324	(Seatcover light for Seat upholstery bag complete SB48 ST47,5 for frame +5)	1
113	SP1590325	(Seatcover light for Seat upholstery bag complete SB34 ST50 for frame +5)	1
114	SP1590326	(Seatcover light for Seat upholstery bag complete SB36 ST50 for frame +5)	1
115	SP1590327	(Seatcover light for Seat upholstery bag complete SB38 ST50 for frame +5)	1
116	SP1590328	(Seatcover light for Seat upholstery bag complete SB40 ST50 for frame +5)	1
117	SP1590329	(Seatcover light for Seat upholstery bag complete SB42 ST50 for frame +5)	1
118	SP1590330	(Seatcover light for Seat upholstery bag complete SB44 ST50 for frame +5)	1
119	SP1590331	(Seatcover light for Seat upholstery bag complete SB46 ST50 for frame +5)	1
120	SP1590332	(Seatcover light for Seat upholstery bag complete SB48 ST50 for frame +5)	1
121	SP1590333	(Seatcover light for Seat upholstery bag complete SB34 ST52,5 for frame +5)	1
122	SP1590334	(Seatcover light for Seat upholstery bag complete SB36 ST52,5 for frame +5)	1
123	SP1590382	(Seatcover light for Seat upholstery bag complete SB38 ST52,5 for frame +5)	1
124	SP1590407	(Seatcover light for Seat upholstery bag complete SB40 ST52,5 for frame +5)	1
125	SP1590408	(Seatcover light for Seat upholstery bag complete SB42 ST52,5 for frame +5)	1
126	SP1590409	(Seatcover light for Seat upholstery bag complete SB44 ST52,5 for frame +5)	1
127	SP1590410	(Seatcover light for Seat upholstery bag complete SB46 ST52,5 for frame +5)	1
128	SP1590411	(Seatcover light for Seat upholstery bag complete SB48 ST52,5 for frame +5)	1



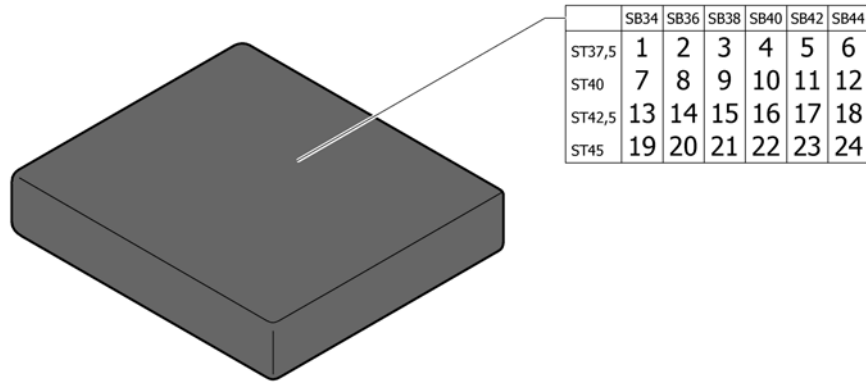


1	1556327	(Seat cushion 340mm x 380mm)	1
2	1556336	PUTE SETE SB 36 SD38 KUSCHALL	1
3	1556344	SETEPUTE 380mm x 380mm KUSCHALL	1
4	1556345	SETEPUTE STD 380mm x 400mm	1
5	1556346	SETEPUTE 42/38/5 SORT KUSCHALL	1
6	1556347	(Seat cushion 380mm x 440mm)	1
7	1556348	(Seat cushion 380mm x 460mm)	1
8	1556349	(Seat cushion 380mm x 480mm)	1
9	1556328	(Seat cushion 340mm x 400mm)	1
10	1556337	SETEPUTE 360mm x 400mm KUSCHALL	1
11	1556352	SETEPUTE 40/40/5 SORT KUSCHALL	1
12	1556353	SETEPUTE 42/40/5 SORT KUSCHALL	1
13	1556354	SETEPUTE 40X44X5 SORT KUSCHALL	1
14	1556355	SETEPUTE 400mm x 460mm KUSCHALL	1
15	1556356	(Seat cushion 400mm x 480mm)	1
16	1556330	(Seat cushion 340mm x 440mm)	1
17	1556339	(Seat cushion 360mm x 440mm)	1
18	1556360	(Seat cushion 420mm x 440mm)	1
19	1556365	SETEPUTE 44/44/5 SORT KUSCHALL	1
20	1556366	SETEPUTE 46/44/5 SORT KUSCHALL	1
21	1556367	SETEPUTE 44/48/5 SORT KUSCHALL	1
22	1556331	(Seat cushion 340mm x 460mm)	1
23	1556340	(Seat cushion 360mm x 460mm)	1
24	1556361	SETEPUTE 420mm x 460mm KUSCHALL	1
25	1556370	SETEPUTE 46/46/5 SORT KUSCHALL	1
26	1556371	(Seat cushion 460mm x 480mm)	1
27	1556332	(Seat cushion 340mm x 480mm)	1
28	1556341	(Seat cushion 360mm x 480mm)	1
29	1556362	(Seat cushion 420mm x 480mm)	1
30	1556374	SETEPUTE 48/48/5 SORT KUSCHALL	1
31	1556333	(Seat cushion 340mm x 500mm)	1

**(Seat cushion standard)**

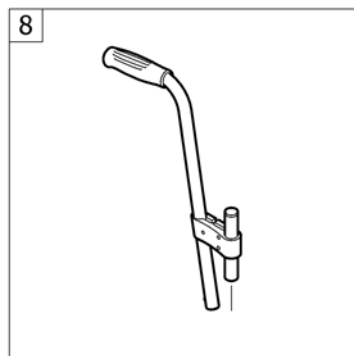
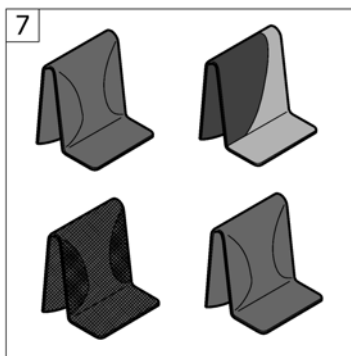
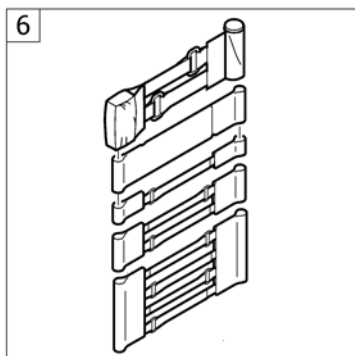
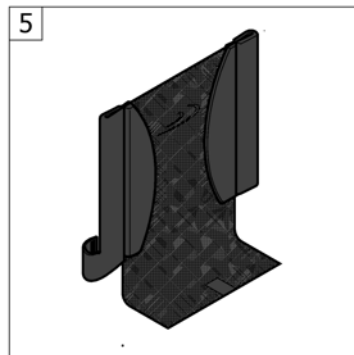
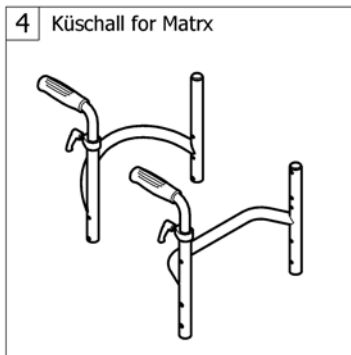
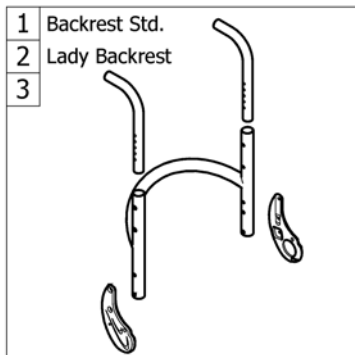
---

32	1556342	(Seat cushion 360mm x 500mm)	1
33	1556350	(Seat cushion 380mm x 500mm)	1
34	1556357	SETEPUTE 40X50 KUSCHALL	1
35	1556363	(Seat cushion 420mm x 500mm)	1
36	1556368	(Seat cushion 440mm x 500mm)	1
37	1556372	(Seat cushion 460mm x 500mm)	1
38	1556375	(Seat cushion 480mm x 500mm)	1
39	1556334	(Seat cushion 340mm x 520mm)	1
40	1556343	(Seat cushion 360mm x 520mm)	1
41	1556351	(Seat cushion 380mm x 520mm)	1
42	1556358	(Seat cushion 400mm x 520mm)	1
43	1556364	(Seat cushion 420mm x 520mm)	1
44	1556369	(Seat cushion 440mm x 520mm)	1
45	1556373	(Seat cushion 460mm x 520mm)	1
46	1556376	(Seat cushion 480mm x 520mm)	1



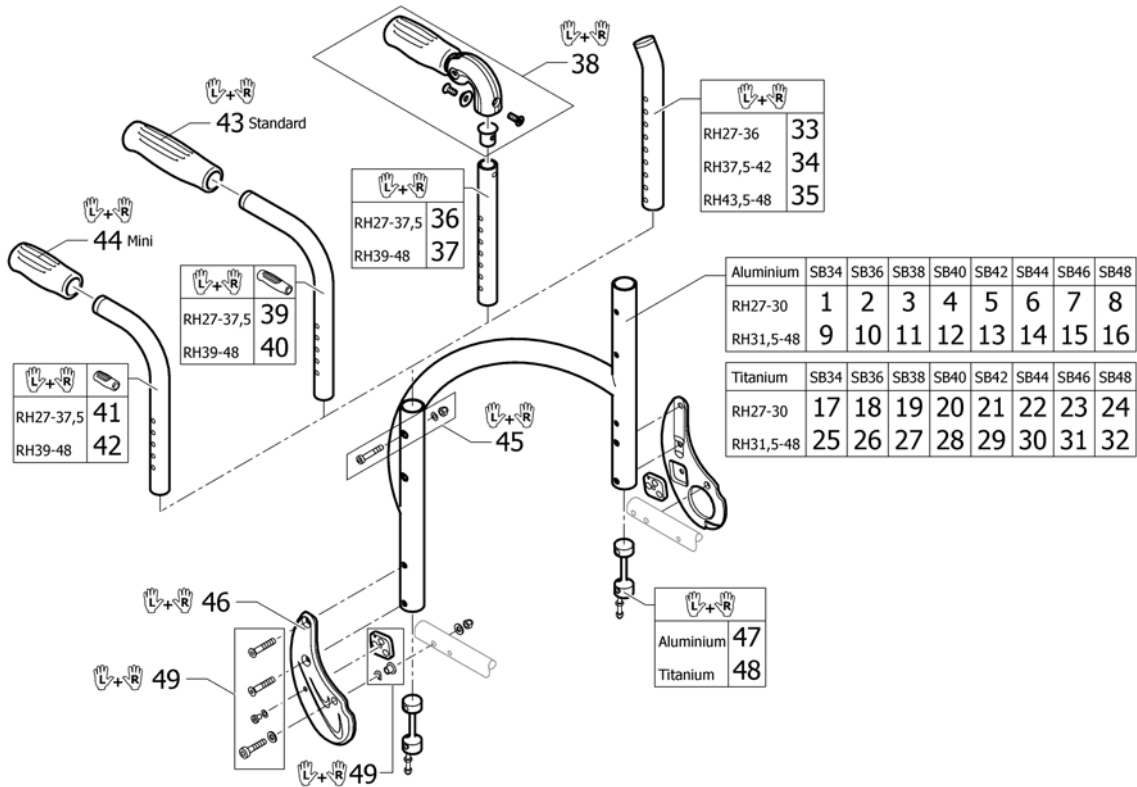
1	1517144	SETEPUTE 34/37,5/5 SORT ALCANTARA	1
2	1517145	(Seat cushion SB36 ST37.5 Alcantara black R33)	1
3	1517146	(Seat cushion SB38 ST37.5 Alcantara black R33)	1
4	1517147	(Seat cushion SB40 ST37.5 Alcantara black R33)	1
5	1517148	(Seat cushion SB42 ST37.5 Alcantara black R33)	1
6	1517169	(Seat cushion SB44 ST37.5 Alcantara black R33)	1
7	1517170	(Seat cushion SB34 ST40 Alcantara black R33)	1
8	1517171	(Seat cushion SB36 ST40 Alcantara black R33)	1
9	1517172	(Seat cushion SB38 ST40 Alcantara black R33)	1
10	1517173	(Seat cushion SB40 ST40 Alcantara black R33)	1
11	1517174	(Seat cushion SB42 ST40 Alcantara black R33)	1
12	1517175	(Seat cushion SB44 ST40 Alcantara black R33)	1
13	1517176	(Seat cushion SB34 ST42.5 Alcantara black R33)	1
14	1517177	(Seat cushion SB36 ST42.5 Alcantara black R33)	1
15	1517178	(Seat cushion SB38 ST42.5 Alcantara black R33)	1
16	1517182	(Seat cushion SB40 ST42.5 Alcantara black R33)	1
17	1517183	(Seat cushion SB42 ST42.5 Alcantara black R33)	1
18	1517184	(Seat cushion SB44 ST42.5 Alcantara black R33)	1
19	1517185	(Seat cushion SB34 ST45 Alcantara black R33)	1
20	1517186	(Seat cushion SB36 ST45 Alcantara black R33)	1
21	1517187	(Seat cushion SB38 ST45 Alcantara black R33)	1
22	1517188	SETEPUTE 40/45 ALCANTARA SORT KUSCHALL	1
23	1517189	(Seat cushion SB42 ST45 Alcantara black R33)	1
24	1517190	(Seat cushion SB44 ST45 Alcantara black R33)	1

# Rygg



1	-	(Backrest (rounded bar))		1
2	-	(Lady backrest)	01.07.2012 →	1
3	-	(Straight bar backrest)	01.07.2014 →	1
4	-	(Küschall backrest parts for Matrix backs)		1
5	-	(Backrest cover light)		1
6	-	(Bands to adjustable backrest)		1
7	-	(Cover to adjustable backrest)		1
8	-	(Push handles, height adjustable, rear set)		1

**(Backrest (rounded bar))**

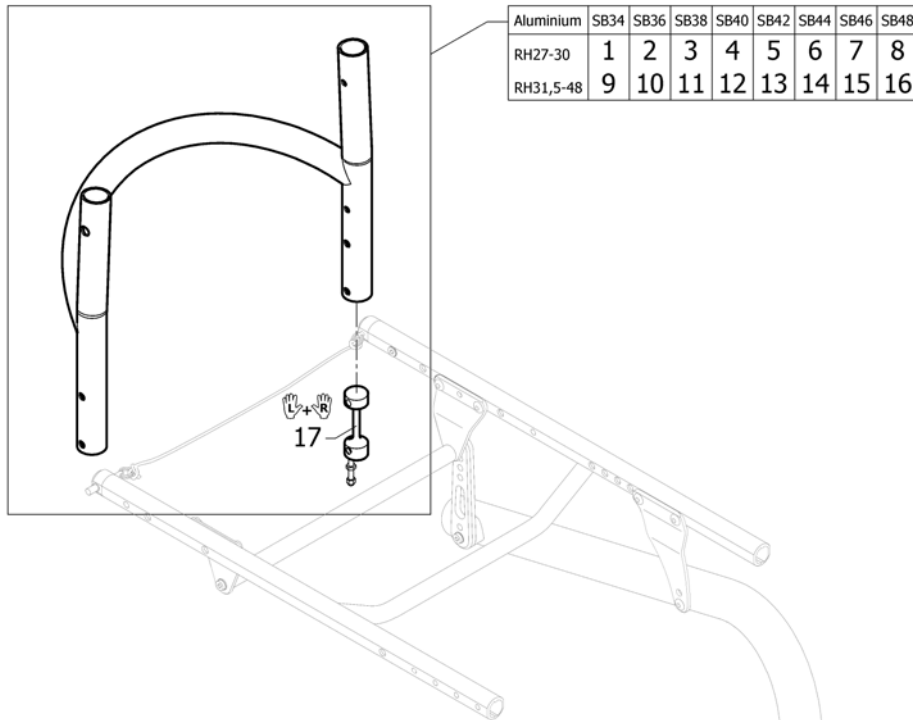


1	1546694	(Backrest tube Alu SB34 short)	1
2	1546695	(Backrest tube Alu SB36 short)	1
3	1546696	(Backrest tube Alu SB38 short)	1
4	1546697	(Backrest tube Alu SB40 short)	1
5	1546698	(Backrest tube Alu SB42 short)	1
6	1546699	(Backrest tube Alu SB44 short)	1
7	1546700	(Backrest tube Alu SB46 short)	1
8	1546701	(Backrest tube Alu SB48 short)	1
9	1546702	(Backrest tube Alu SB34 Long)	1
10	1546739	(Backrest tube Alu SB36 Long)	1
11	1546740	(Backrest tube Alu SB38 Long)	1
12	1546741	(Backrest tube Alu SB40 Long)	1
13	1546806	(Backrest tube Alu SB42 Long)	1
14	1546807	(Backrest tube Alu SB44 Long)	1
15	1546808	(Backrest tube Alu SB46 Long)	1
16	1546809	(Backrest tube Alu SB48 Long)	1
17	1546810	(Backrest tube Titan SB34 short)	1
18	1546811	(Backrest tube Titan SB36 short)	1
19	1546812	(Backrest tube Titan SB38 short)	1
20	1546813	(Backrest tube Titan SB40 short)	1
21	1546814	(Backrest tube Titan SB42 short)	1
22	1546815	(Backrest tube Titan SB44 short)	1
23	1546816	(Backrest tube Titan SB46 short)	1
24	1546817	(Backrest tube Titan SB48 short)	1
25	1546818	(Backrest tube Titan SB34 Long)	1
26	1546819	(Backrest tube Titan SB36 Long)	1
27	1546820	(Backrest tube Titan SB38 Long)	1
28	1546821	(Backrest tube Titan SB40 Long)	1
29	1546822	(Backrest tube Titan SB42 Long)	1
30	1546823	(Backrest tube Titan SB44 Long)	1
31	1546824	(Backrest tube Titan SB46 Long)	1

**(Backrest (rounded bar))**

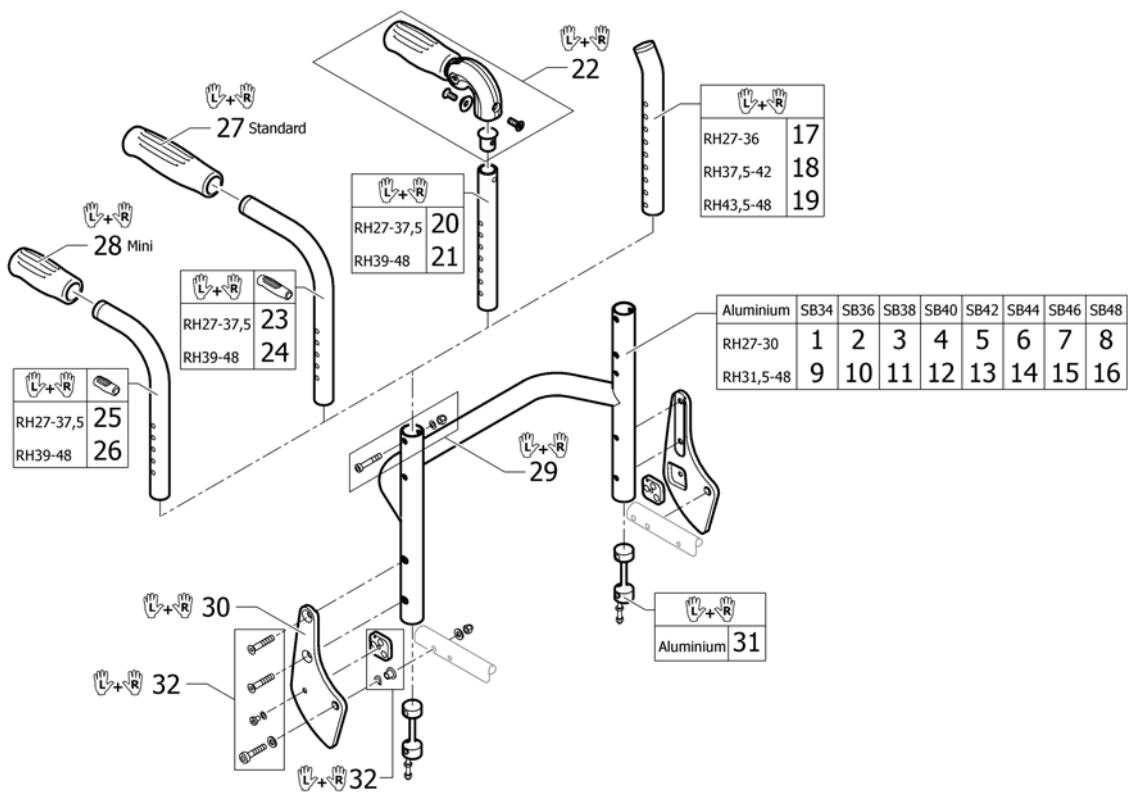
32	1546825	(Backrest tube Titan SB48 Long)		1
33	1546913	(Telescopic back tube standard short, pair)		1
34	1546914	(Telescopic back tube standard medium, pair)		1
35	1546946	(Telescopic back tube standard long, pair)		1
36	1524956	TELESKOPRØR KORT PAR FOR FOLDB.KJØREHÅNDTAK K 4		1
37	1525121	TELESKOPRØR MED. PAR FOR FOLDB.KJØREHÅNDTAK K 4		1
38	1507733	KJØREHÅNDTAK FOLDBARE KUSCHALL CO PAR		1
39	1525122	RYGG RØR KJØREH PAR KORT K SERIE		1
40	1525123	RYGG RØR KJØREH PAR STANDARD LANG K-SERIE		1
41	1525124	RYGG RØR MINI KORT PAR K-SERIES		1
42	1525125	RYGG RØR MINI LANG PAR K-SERIES		1
43	1507734	KJØREHÅNDTAK SVART PLAST PAR KUSCHALL		1
44	1525126	KJØREHÅNDTAK MINI SORT PLAST KUSCHALL		1
45	1546947	SKRUER TIL RYGGRØR K-SERIEN		1
46	1546951-0004	FESTEPLATE RYGG K-SERIEN, SORT, PAR		1
46	1546951-0001	(Backrest joint plate, pair, chrome)		1
46	1546951-0182	(Backrest joint plate, pair, champagne)	01.01.2013 →	1
46	1546951-0183	(Backrest joint plate, pair, olive)	01.01.2013 →	1
46	1546951-0400	(Backrest joint plate, pair, techno-anthrazit)		1
46	1546951-0401	(Backrest joint plate, pair, lemon)	01.07.2012 → 31.12.2012	1
46	1546951-0402	(Backrest joint plate, pair, apricot)	01.07.2012 → 31.12.2012	1
46	1546951-0404	(Backrest joint plate, pair, b-blue)		1
46	1546951-0440	(Backrest joint plate, pair, comet red)		1
46	1546951-0441	(Backrest joint plate, pair, arctic blue)		1
46	1546951-0444	(Backrest joint plate, pair, copper glaze)		1
47	1546948	(Sleeves for backrest tube alu, pair complete)		1
48	1546949	(Sleeves for backrest tube Titan, pair complete)		1
49	1546950	FIKSERINGSSETT RYGGLEDD K-SERIEN		1

**(Lady backrest)**



1	1563800	(Lady backrest tube Alu SB34 short)	1
2	1563801	(Lady backrest tube Alu SB36 short)	1
3	1563802	(Lady backrest tube Alu SB38 short)	1
4	1563803	(Lady backrest tube Alu SB40 short)	1
5	1563804	(Lady backrest tube Alu SB42 short)	1
6	1563805	(Lady backrest tube Alu SB44 short)	1
7	1563806	(Lady backrest tube Alu SB46 short)	1
8	1563807	(Lady backrest tube Alu SB48 short)	1
9	1563808	(Lady backrest tube Alu SB34 long)	1
10	1563809	(Lady backrest tube Alu SB36 long)	1
11	1563810	(Lady backrest tube Alu SB38 long)	1
12	1563811	(Lady backrest tube Alu SB40 long)	1
13	1563812	(Lady backrest tube Alu SB42 long)	1
14	1563813	(Lady backrest tube Alu SB44 long)	1
15	1563814	(Lady backrest tube Alu SB46 long)	1
16	1563815	(Lady backrest tube Alu SB48 long)	1
17	1546948	(Sleeves for backrest tube alu, pair complete)	1

# (Straight bar backrest)

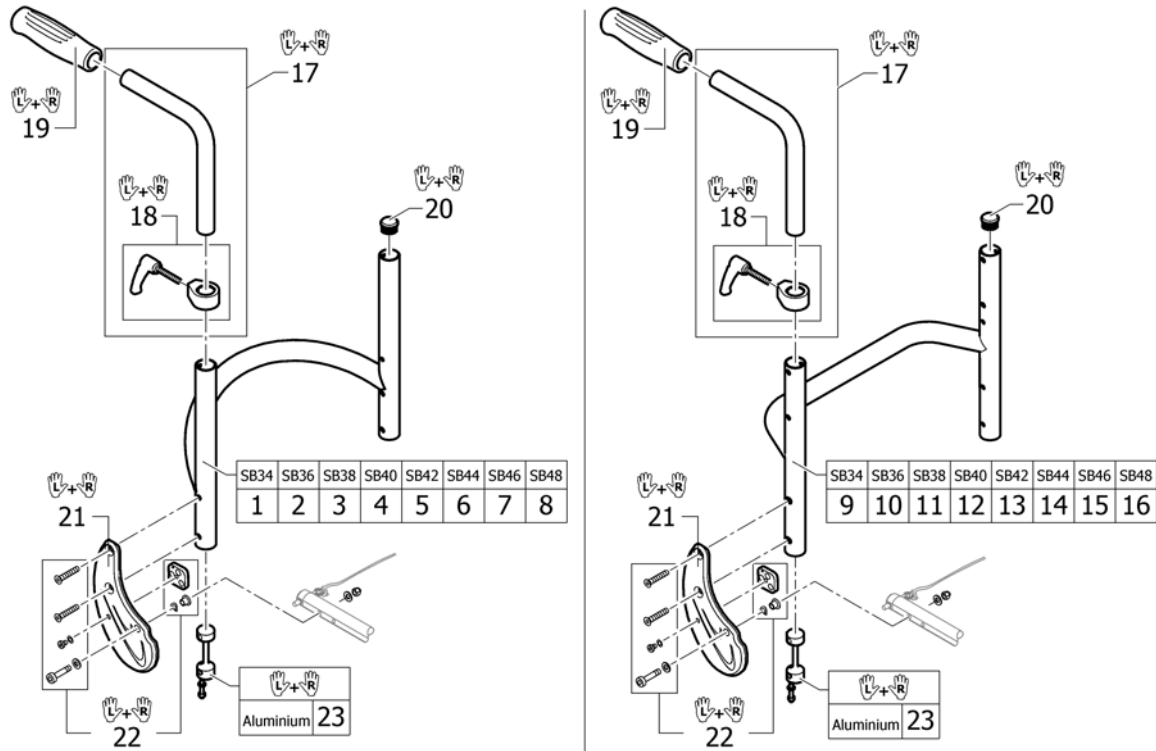


1	1582690	(Straight bar backrest tube Alu SB34 short)	1
2	1582691	(Straight bar backrest tube Alu SB36 short)	1
3	1582692	(Straight bar backrest tube Alu SB38 short)	1
4	1582693	(Straight bar backrest tube Alu SB40 short)	1
5	1582694	(Straight bar backrest tube Alu SB42 short)	1
6	1582695	(Straight bar backrest tube Alu SB44 short)	1
7	1582696	(Straight bar backrest tube Alu SB46 short)	1
8	1582697	(Straight bar backrest tube Alu SB48 short)	1
9	1582698	(Straight bar backrest tube Alu SB34 Long)	1
10	1582699	(Straight bar backrest tube Alu SB36 Long)	1
11	1582700	(Straight bar backrest tube Alu SB38 Long)	1
12	1582701	(Straight bar backrest tube Alu SB40 Long)	1
13	1582702	(Straight bar backrest tube Alu SB42 Long)	1
14	1582703	(Straight bar backrest tube Alu SB44 Long)	1
15	1582704	(Straight bar backrest tube Alu SB46 Long)	1
16	1582732	(Straight bar backrest tube Alu SB48 Long)	1
17	1546913	(Telescopic back tube standard short, pair)	1
18	1546914	(Telescopic back tube standard medium, pair)	1
19	1546946	(Telescopic back tube standard long, pair)	1
20	1524956	TELESKOPRØR KORT PAR FOR FOLDB.KJØREHÅNDTAK K 4	1
21	1525121	TELESKOPRØR MED. PAR FOR FOLDB.KJØREHÅNDTAK K 4	1
22	1507733	KJØREHÅNDTAK FOLDBARE KUSCHALL CO PAR	1
23	1525122	RYGG RØR KJØREH PAR KORT K SERIE	1
24	1525123	RYGG RØR KJØREH PAR STANDARD LANG K-SERIE	1
25	1525124	RYGG RØR MINI KORT PAR K-SERIES	1
26	1525125	RYGG RØR MINI LANG PAR K-SERIES	1
27	1507734	KJØREHÅNDTAK SVART PLAST PAR KUSCHALL	1
28	1525126	KJØREHÅNDTAK MINI SORT PLAST KUSCHALL	1
29	1546947	SKRUER TIL RYGGRØR K-SERIEN	1
30	1582733-0004	(Backrest joint plate, pair, black anodized)	1
31	1546948	(Sleeves for backrest tube alu, pair complete)	1





**(Küschall backrest parts for Matrix backs)**



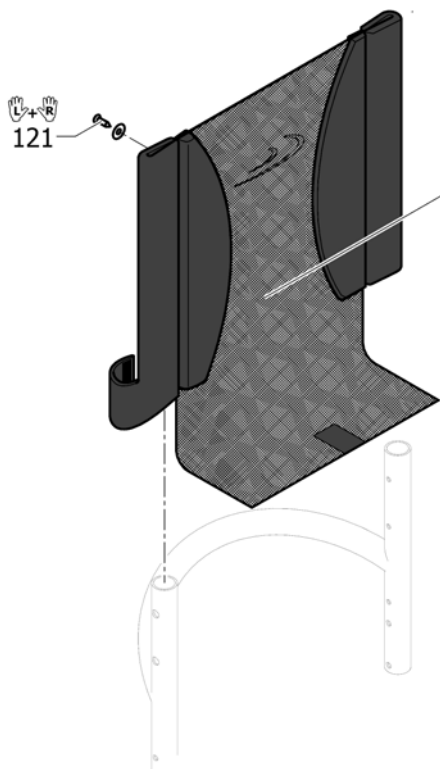
1	1560914	(Backrest SB34 for fixed backrest)		1
2	1561012	(Backrest SB36 for fixed backrest)		1
3	1561013	(Backrest SB38 for fixed backrest)		1
4	1561014	(Backrest SB40 for fixed backrest)		1
5	1561015	(Backrest SB42 for fixed backrest)		1
6	1561016	(Backrest SB44 for fixed backrest)		1
7	1561017	(Backrest SB46 for fixed backrest)		1
8	1564344	(Backrest SB48 for fixed backrest)		1
9	1582698	(Straight bar backrest tube Alu SB34 Long)	01.01.2016 →	1
10	1582699	(Straight bar backrest tube Alu SB36 Long)	01.01.2016 →	1
11	1582700	(Straight bar backrest tube Alu SB38 Long)	01.01.2016 →	1
12	1582701	(Straight bar backrest tube Alu SB40 Long)	01.01.2016 →	1
13	1582702	(Straight bar backrest tube Alu SB42 Long)	01.01.2016 →	1
14	1582703	(Straight bar backrest tube Alu SB44 Long)	01.01.2016 →	1
15	1582704	(Straight bar backrest tube Alu SB46 Long)	01.01.2016 →	1
16	1582732	(Straight bar backrest tube Alu SB48 Long)	01.01.2016 →	1
17	1438203	KJØREHÅNDTAK INTERGRERT KORT 20CM KÜSCHALL PAR		1
18	1549985	JUSTERING HREG PAR KJØREHÅNDTAK KUSCHALL .		1
19	1507734	KJØREHÅNDTAK SVART PLAST PAR KUSCHALL		1
20	1561018	ENDEPLUGG RYGGRØR KUSCHALL Ø24MM		1
21	1546951-0004	FESTEPLATE RYGG K-SERIEN, SORT, PAR		1
21	1546951-0001	(Backrest joint plate, pair, chrome)		1
21	1546951-0182	(Backrest joint plate, pair, champagne)	01.01.2013 →	1
21	1546951-0183	(Backrest joint plate, pair, olive)	01.01.2013 →	1
21	1546951-0400	(Backrest joint plate, pair, techno-anthrazit)		1
21	1546951-0401	(Backrest joint plate, pair, lemon)	01.07.2012 → 31.12.2012	1
21	1546951-0402	(Backrest joint plate, pair, apricot)	01.07.2012 → 31.12.2012	1
21	1546951-0404	(Backrest joint plate, pair, b-blue)		1
21	1546951-0440	(Backrest joint plate, pair, comet red)		1
21	1546951-0441	(Backrest joint plate, pair, arctic blue)		1

**(Küschall backrest parts for Matrx backs)**

---

21	1546951-0444	(Backrest joint plate, pair, copper glaze)	1
22	1546950	FIKSERINGSSETT RYGGLEDD K-SERIEN	1
23	1546948	(Sleeves for backrest tube alu, pair complete)	1

**(Backrest cover light)**



	SB34	SB36	SB38	SB40	SB42	SB44	SB46	SB48
RH27	1	2	3	4	5	6	7	8
RH28,5	9	10	11	12	13	14	15	16
RH30	17	18	19	20	21	22	23	24
RH31,5	25	26	27	28	29	30	31	32
RH33	33	34	35	36	37	38	39	40
RH34,5	41	42	43	44	45	46	47	48
RH36	49	50	51	52	53	54	55	56
RH37,5	57	58	59	60	61	62	63	64
RH39	65	66	67	68	69	70	71	72
RH40,5	73	74	75	76	77	78	79	80
RH42	81	82	83	84	85	86	87	88
RH43,5	89	90	91	92	93	94	95	96
RH45	97	98	99	100	101	102	103	104
RH46,5	105	106	107	108	109	110	111	112
RH48	113	114	115	116	117	118	119	120

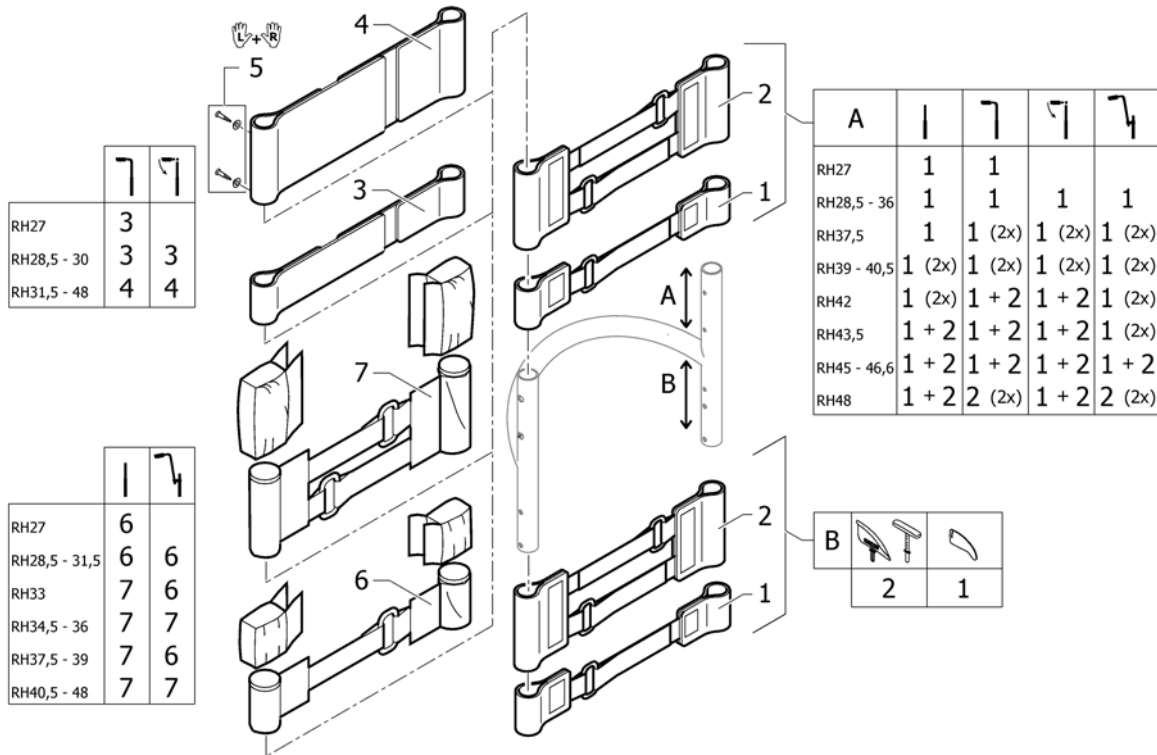
1	1546952	(Backrest cover light SB34 RH27)	1
2	1546992	(Backrest cover light SB36 RH27)	1
3	1547007	(Backrest cover light SB38 RH27)	1
4	1547033	RYGGTREKK SB40 RH27 EKSTRA LETT K4G3	1
5	1547093	(Backrest cover light SB42 RH27)	1
6	1547108	(Backrest cover light SB44 RH27)	1
7	1547123	(Backrest cover light SB46 RH27)	1
8	1547138	(Backrest cover light SB48 RH27)	1
9	1546953	(Backrest cover light SB34 RH28,5)	1
10	1546993	(Backrest cover light SB36 RH28,5)	1
11	1547008	(Backrest cover light SB38 RH28,5)	1
12	1547034	(Backrest cover light SB40 RH28,5)	1
13	1547094	(Backrest cover light SB42 RH28,5)	1
14	1547109	(Backrest cover light SB44 RH28,5)	1
15	1547124	(Backrest cover light SB46 RH28,5)	1
16	1547139	(Backrest cover light SB48 RH28,5)	1
17	1546954	(Backrest cover light SB34 RH30)	1
18	1546994	(Backrest cover light SB36 RH30)	1
19	1547009	(Backrest cover light SB38 RH30)	1
20	1547035	(Backrest cover light SB40 RH30)	1
21	1547095	(Backrest cover light SB42 RH30)	1
22	1547110	(Backrest cover light SB44 RH30)	1
23	1547125	(Backrest cover light SB46 RH30)	1
24	1547140	(Backrest cover light SB48 RH30)	1
25	1546955	(Backrest cover light SB34 RH31,5)	1
26	1546995	(Backrest cover light SB36 RH31,5)	1
27	1547010	(Backrest cover light SB38 RH31,5)	1
28	1547036	(Backrest cover light SB40 RH31,5)	1
29	1547096	(Backrest cover light SB42 RH31,5)	1
30	1547111	(Backrest cover light SB44 RH31,5)	1
31	1547126	(Backrest cover light SB46 RH31,5)	1

32	1547141	(Backrest cover light SB48 RH31,5)	1
33	1546956	(Backrest cover light SB34 RH33)	1
34	1546996	(Backrest cover light SB36 RH33)	1
35	1547011	(Backrest cover light SB38 RH33)	1
36	1547037	(Backrest cover light SB40 RH33)	1
37	1547097	(Backrest cover light SB42 RH33)	1
38	1547112	(Backrest cover light SB44 RH33)	1
39	1547127	(Backrest cover light SB46 RH33)	1
40	1547142	(Backrest cover light SB48 RH33)	1
41	1546957	(Backrest cover light SB34 RH34,5)	1
42	1546997	(Backrest cover light SB36 RH34,5)	1
43	1547012	(Backrest cover light SB38 RH34,5)	1
44	1547048	(Backrest cover light SB40 RH34,5)	1
45	1547098	(Backrest cover light SB42 RH34,5)	1
46	1547113	(Backrest cover light SB44 RH34,5)	1
47	1547128	(Backrest cover light SB46 RH34,5)	1
48	1547143	(Backrest cover light SB48 RH34,5)	1
49	1546958	(Backrest cover light SB34 RH36)	1
50	1546998	(Backrest cover light SB36 RH36)	1
51	1547013	(Backrest cover light SB38 RH36)	1
52	1547049	(Backrest cover light SB40 RH36)	1
53	1547099	(Backrest cover light SB42 RH36)	1
54	1547114	(Backrest cover light SB44 RH36)	1
55	1547129	(Backrest cover light SB46 RH36)	1
56	1547144	(Backrest cover light SB48 RH36)	1
57	1546959	(Backrest cover light SB34 RH37,5)	1
58	1546999	(Backrest cover light SB36 RH37,5)	1
59	1547014	(Backrest cover light SB38 RH37,5)	1
60	1547050	(Backrest cover light SB40 RH37,5)	1
61	1547100	(Backrest cover light SB42 RH37,5)	1
62	1547115	(Backrest cover light SB44 RH37,5)	1
63	1547130	(Backrest cover light SB46 RH37,5)	1
64	1547145	(Backrest cover light SB48 RH37,5)	1
65	1546960	(Backrest cover light SB34 RH39)	1
66	1547000	(Backrest cover light SB36 RH39)	1
67	1547015	(Backrest cover light SB38 RH39)	1
68	1547051	(Backrest cover light SB40 RH39)	1
69	1547101	(Backrest cover light SB42 RH39)	1
70	1547116	(Backrest cover light SB44 RH39)	1
71	1547131	(Backrest cover light SB46 RH39)	1
72	1547146	(Backrest cover light SB48 RH39)	1
73	1546961	(Backrest cover light SB34 RH40,5)	1
74	1547001	(Backrest cover light SB36 RH40,5)	1
75	1547016	(Backrest cover light SB38 RH40,5)	1
76	1547052	(Backrest cover light SB40 RH40,5)	1
77	1547102	(Backrest cover light SB42 RH40,5)	1
78	1547117	(Backrest cover light SB44 RH40,5)	1
79	1547132	(Backrest cover light SB46 RH40,5)	1
80	1547147	(Backrest cover light SB48 RH40,5)	1
81	1546962	(Backrest cover light SB34 RH42)	1
82	1547002	(Backrest cover light SB36 RH42)	1
83	1547028	(Backrest cover light SB38 RH42)	1
84	1547053	(Backrest cover light SB40 RH42)	1
85	1547103	(Backrest cover light SB42 RH42)	1
86	1547118	(Backrest cover light SB44 RH42)	1

**(Backrest cover light)**

87	1547133	(Backrest cover light SB46 RH42)	1
88	1547148	(Backrest cover light SB48 RH42)	1
89	1546988	(Backrest cover light SB34 RH43,5)	1
90	1547003	(Backrest cover light SB36 RH43,5)	1
91	1547029	(Backrest cover light SB38 RH43,5)	1
92	1547054	(Backrest cover light SB40 RH43,5)	1
93	1547104	(Backrest cover light SB42 RH43,5)	1
94	1547119	RYGGOVERDRAG SB44 RH43,5 EXTRA LETT K4G3	1
95	1547134	(Backrest cover light SB46 RH43,5)	1
96	1547149	(Backrest cover light SB48 RH43,5)	1
97	1546989	(Backrest cover light SB34 RH45)	1
98	1547004	(Backrest cover light SB36 RH45)	1
99	1547030	(Backrest cover light SB38 RH45)	1
100	1547055	(Backrest cover light SB40 RH45)	1
101	1547105	(Backrest cover light SB42 RH45)	1
102	1547120	(Backrest cover light SB44 RH45)	1
103	1547135	(Backrest cover light SB46 RH45)	1
104	1547150	(Backrest cover light SB48 RH45)	1
105	1546990	(Backrest cover light SB34 RH46,5)	1
106	1547005	(Backrest cover light SB36 RH46,5)	1
107	1547031	(Backrest cover light SB38 RH46,5)	1
108	1547091	(Backrest cover light SB40 RH46,5)	1
109	1547106	(Backrest cover light SB42 RH46,5)	1
110	1547121	RYGGOVERDAG SB44 RH46,5 EXTRA LETT K4GS	1
111	1547136	(Backrest cover light SB46 RH46,5)	1
112	1547151	RYGGOVERDRAG SB48 RH46,5 EXTRA LETT K4G3	1
113	1546991	(Backrest cover light SB34 RH48)	1
114	1547006	(Backrest cover light SB36 RH48)	1
115	1547032	(Backrest cover light SB38 RH48)	1
116	1547092	(Backrest cover light SB40 RH48)	1
117	1547107	(Backrest cover light SB42 RH48)	1
118	1547122	(Backrest cover light SB44 RH48)	1
119	1547137	(Backrest cover light SB46 RH48)	1
120	1547152	(Backrest cover light SB48 RH48)	1
121	1432083	FESTEKIT FOR RYGGBÅND CHAMPION KÜSCHALL	1

**(Bands to adjustable backrest)**



1	1513167	VELCROBÅND JUSTERBART M 1 STROPP K4 2008-MOD	1
2	1513168	VELCROBÅND JUSTERBART M 2 STROPP COMPACT-2004M	1
3	1513170	VELCROREM 2-DELT 5 CM PAR	1
4	1513171	VELCROBÅND TOPP 10 CM 2-DELT ALLE 2008->	1
5	1432083	FESTEKIT FOR RYGGBÅND CHAMPION KÜSCHALL	1
6	1513172	VELCROBÅND ENDESTYKKE 5 CM	1
7	1513173	VELCROBÅND ENDESTYKKE 10 CM	1

**(Cover to adjustable backrest)**

Std. (black)	SB34	SB36-38	SB40-42	SB44-46	SB48
RH27-33	1	2	3	4	5
RH34,5-40,5	6	7	8	9	10
RH42-48	11	12	13	14	15

Std. (black / grey)	SB34	SB36-38	SB40-42	SB44-46	SB48
RH27-33	16	17	18	19	20
RH34,5-40,5	21	22	23	24	25
RH42-48	26	27	28	29	30

AeroBack	SB34	SB36-38	SB40-42	SB44-46	SB48
RH27-33	31	32	33	34	35
RH34,5-40,5	36	37	38	39	40
RH42-48	41	42	43	44	45

Alcantara	SB34	SB36-38	SB40-42	SB44-46	SB48
RH27-33	46	47	48	49	-
RH34,5-40,5	50	51	52	53	-
RH42-48	54	55	56	57	-

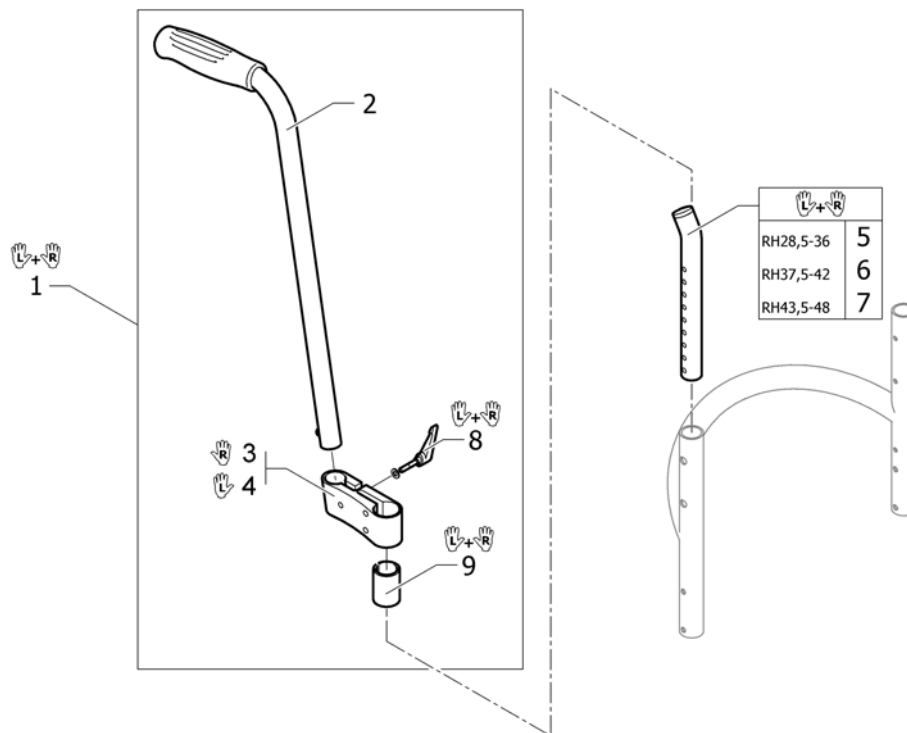
1	1512137	RYGGOVERDRAG STD SB32-34 RH 27-33	1
2	1512138	RYGGOVERDRAG KORT SB36-38	1
3	1512139	RYGGOVERDRAG STD SB40-42 KORT	1
4	1512140	RYGGOVERDRAG STD SB44-46 RH 27-33	1
5	1512141	(Cover to adjustable backrest, SB48-50, short)	1
6	1512144	RYGGOVERDRAG STD SB32-34 KUSCHALL R33 K4 AIRLITE	1
7	1512145	RYGGOVERDRAG STD SB36-38 KUSCHALL R33 K4 AIRLITE	1
8	1512146	RYGGOVERDRAG STD SB40-42 KUSCHALL R33 K4 AIRLITE	1
9	1512147	RYGGOVERDRAG 44-46 MEDIU CHAMPION SB 44	1
10	1512148	(Cover to adjustable backrest, SB48-50, medium)	1
11	1512151	RYGGTREKK SB 32-34 REG RYGG LANG	1
12	1512152	RYGGTREKK SB36-38 LANG FOR VELCRO KUSCHALL	1
13	1512153	RYGGTREKK SB40-42 LANG FOR VELCRO KUSCHALL	1
14	1512154	RYGGTREKK KPL SB44-46 LANG CHAMPION KUSCHALL	1
15	1512155	(Cover to adjustable backrest, SB48-50, long)	1
16	1547153	(Cover black and grey to adjustable backrest, SB32-34, short)	1
17	1547154	(Cover black and grey to adjustable backrest, SB36-38, short)	1
18	1547155	(Cover black and grey to adjustable backrest, SB40-42, short)	1
19	1547156	(Cover black and grey to adjustable backrest, SB44-46, short)	1
20	1547157	(Cover black and grey to adjustable backrest, SB48-50, short)	1
21	1547158	(Cover black and grey to adjustable backrest, SB32-34, medium)	1
22	1547159	(Cover black and grey to adjustable backrest, SB36-38, medium)	1
23	1547160	(Cover black and grey to adjustable backrest, SB40-42, medium)	1
24	1547161	(Cover black and grey to adjustable backrest, SB44-46, medium)	1
25	1547162	(Cover black and grey to adjustable backrest, SB48-50, medium)	1
26	1547163	(Cover black and grey to adjustable backrest, SB32-34, long)	1
27	1547164	(Cover black and grey to adjustable backrest, SB36-38, long)	1
28	1547165	RYGGOVERDRAG SB40-42 LANG SORT/GRÅ	1
29	1547166	(Cover black and grey to adjustable backrest, SB44-46, long)	1
30	1547167	(Cover black and grey to adjustable backrest, SB48-50, long)	1
31	1512156	(Cover 'Aero' to adjustable backrest, SB32-34, short)	1



**(Cover to adjustable backrest)**

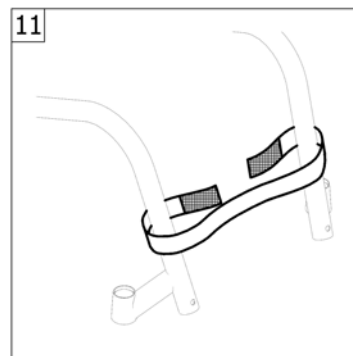
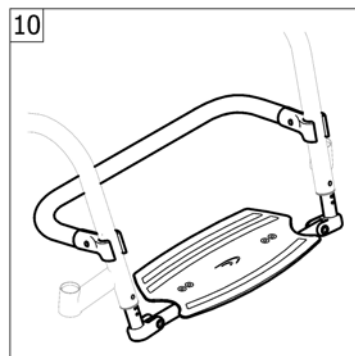
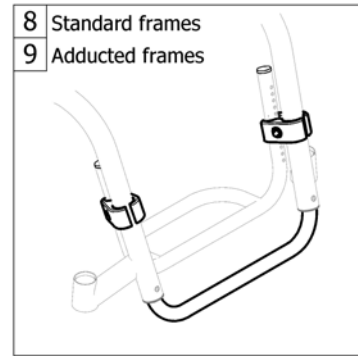
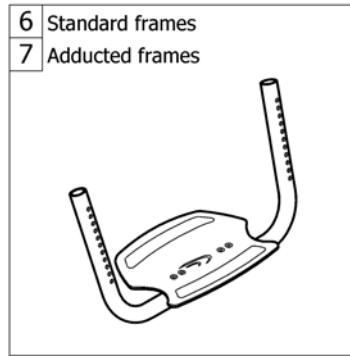
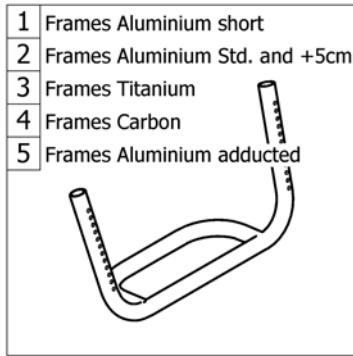
32	1512157	(Cover 'Aero' to adjustable backrest, SB36-38, short)	1
33	1512158	RYGGTREKK SB40-42 KORT AEROBACK	1
34	1512159	(Cover 'Aero' to adjustable backrest, SB44-46, short)	1
35	1512160	(Cover 'Aero' to adjustable backrest, SB48-50, short)	1
36	1512161	RYGGTREKK SB32-34 MEDIUM AEROBACK KUSCHALL	1
37	1512162	RYGGTREKK SB36-38 MEDIUM AEROBACK KUSCHALL	1
38	1512163	RYGGTREKK SB40-42 MEDIUM AEROBACK KUSCHALL	1
39	1512164	RYGGTREKK SB44-46 MEDIUM AEROBACK KUSCHALL	1
40	1512165	RYGGTREKK SB48-50 MEDIUM AEROBACK KUSCHALL	1
41	1512166	RYGGTREKK SB 32-34 REG RYGG AERO LANG	1
42	1512167	RYGGTREKK AEROBACK SB36-38 LANG VELCRO RYGG	1
43	1512168	RYGGTREKK SB40-42 LANG AEROBACK CHAMPION-2008	1
44	1512169	RYGGTREKK SB44-46 LANG AEROBACK KUSCHALL	1
45	1512170	(Cover 'Aero' to adjustable backrest, SB48-50, long)	1
46	1517466	(Cover to adjustable backrest Alcantara black SB 34 short)	1
47	1517467	(Cover to adjustable backrest Alcantara black SB 36-38 short)	1
48	1517468	(Cover to adjustable backrest Alcantara black SB 40-42 short)	1
49	1517469	(Cover to adjustable backrest Alcantara black SB 44-46 short)	1
50	1517470	(Cover to adjustable backrest Alcantara black SB 34 medium)	1
51	1517471	(Cover to adjustable backrest Alcantara black SB 36-38 medium)	1
52	1517472	RYGGTR. SB40-42 RH34,5-40,5 ALC. SORT	1
53	1517473	(Cover to adjustable backrest Alcantara black SB 44-46 medium)	1
54	1517474	(Cover to adjustable backrest Alcantara black SB 34 long)	1
55	1517475	(Cover to adjustable backrest Alcantara black SB 36-38 long)	1
56	1517476	RYGGOVERDRAG SB 40-42 lang ALCANTERA SORT	1
57	1517477	(Cover to adjustable backrest Alcantara black SB 44-46 long)	1

**(Push handles, height adjustable, rear set)**



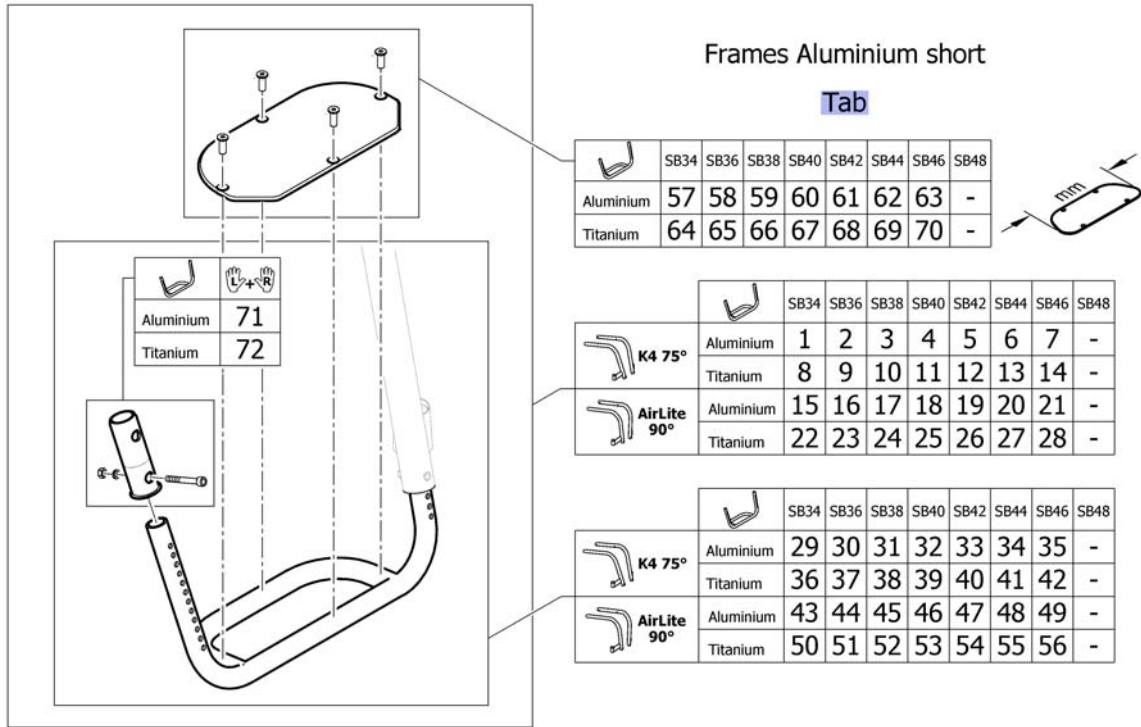
1	1517876	KJØREHÅNDTAK KOMPL PAR FESTE PÅ RYGGALLE	1
2	1438938	BAKENFORLIG KJØREH KPL UTEN FESTE KUSCHALL	2
3	1438939	FESTE BAKENFORLIG KJØREH HØYRE ALLE STOLER	1
4	1438940	FESTE BAKENFORLIG KJØREH VENSTRE ALLE STOLER	1
5	1546913	(Telescopic back tube standard short, pair)	1
6	1546914	(Telescopic back tube standard medium, pair)	1
7	1546946	(Telescopic back tube standard long, pair)	1
8	1529799	PLASTHÅNDTAK FOR REG AV BEKENFORL KJØREHÅNDTAK	1
9	1581293	(Sleeves for mounting fixture, for rearsset push handles, pair)	1

# Fotplater



1	-	(Footrest standard mounted on frame aluminium short)	1
2	-	(Footrest standard mounted on frame aluminium Std. or +5cm)	1
3	-	(Footrest standard mounted on frame Titanium)	1
4	-	(Footrest standard mounted on frame Carbon)	1
5	-	(Footrest standard for adducted frame)	1
6	-	(Footrest angle adjustable)	1
7	-	(Footrest angle adjustable for adducted frame)	1
8	-	(Footrest highmounted)	1
9	-	(Footrest highmounted for adducted frame)	1
10	-	(Footrest flip-to-side)	1
11	-	(Calf strap)	1

**(Footrest standard mounted on frame aluminium short)**



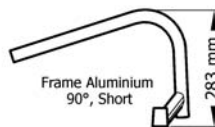
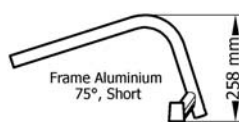
Tab	-	(Configuration table for footrest standard mounted on frame aluminium short)	1
1	1547276	(Footrest K4 Aluminium with plate complete SB36)	1
2	1547277	FOTPLATE S38 K4 Alu	1
3	1547278	(Footrest K4 Aluminium with plate complete SB40)	1
4	1547279	(Footrest K4 Aluminium with plate complete SB42)	1
5	1547280	(Footrest K4 Aluminium with plate complete SB44)	1
6	1547281	(Footrest K4 Aluminium with plate complete SB46)	1
7	1547183	(Footrest K4 Aluminium with plate complete SB48)	1
8	1517792	(Footrest K4 Titanium with plate complete SB36)	1
9	1517793	(Footrest K4 Titanium with plate complete SB38)	1
10	1517794	FOTSTØTTE SB40 TITAN K-SERIES KUSCHALL	1
11	1517795	(Footrest K4 Titanium with plate complete SB42)	1
12	1517796	(Footrest K4 Titanium with plate complete SB44)	1
13	1547184	(Footrest K4 Titanium with plate complete SB46)	1
14	1547185	(Footrest K4 Titanium with plate complete SB48)	1
15	1547283	(Footrest AirLite Aluminium with plate complete SB36)	1
16	1547284	(Footrest AirLite Aluminium with plate complete SB38)	1
17	1547285	(Footrest AirLite Aluminium with plate complete SB40)	1
18	1547286	(Footrest AirLite Aluminium with plate complete SB42)	1
19	1547287	(Footrest AirLite Aluminium with plate complete SB44)	1
20	1547288	(Footrest AirLite Aluminium with plate complete SB46)	1
21	1547189	(Footrest AirLite Aluminium with plate complete SB48)	1
22	1517805	(Footrest AirLite Titanium with plate complete SB36)	1
23	1517806	(Footrest AirLite Titanium with plate complete SB38)	1
24	1517807	FOTSTØTTE SB40 TITAN K-SERIES KUSCHALL AIRLIT	1
25	1517808	(Footrest AirLite Titanium with plate complete SB42)	1
26	1517809	FOTBØYLE TITAN SB44 MED PLATE TIL K-SERIEN	1
27	1547190	(Footrest AirLite Titanium with plate complete SB46)	1
28	1547191	(Footrest AirLite Titanium with plate complete SB48)	1
29	1547290	(Footrest K4 Aluminium complete SB36)	1
30	1547291	(Footrest K4 Aluminium complete SB38)	1

**(Footrest standard mounted on frame aluminium short)**

31	1547292	FOTBØYLE K4 SB40 Alu KPL	1
32	1547293	(Footrest K4 Aluminium complete SB42)	1
33	1547294	(Footrest K4 Aluminium complete SB44)	1
34	1547295	FOTBØYLE ALU SB46 K4	1
35	1547195	(Footrest K4 Aluminium complete SB48)	1
36	1485854	FOTBØYLE TITAN SB36 K4 2005	1
37	1485855	FOTBØYLE TITAN SB38 K4 2005	1
38	1485856	FOTBØYLE TITAN SB40 K4 2005	1
39	1485857	FOTBØYLE TITAN SB42 K4 2005	1
40	1485858	FOTBØYLE TITAN SB44 K4 2005	1
41	1547196	(Footrest K4 Titanium complete SB46)	1
42	1547197	(Footrest K4 Titanium complete SB48)	1
43	1547321	(Footrest AirLite Aluminium complete SB36)	1
44	1547322	(Footrest AirLite Aluminium complete SB38)	1
45	1547323	(Footrest AirLite Aluminium complete SB40)	1
46	1547324	(Footrest AirLite Aluminium complete SB42)	1
47	1547325	(Footrest AirLite Aluminium complete SB44)	1
48	1547326	(Footrest AirLite Aluminium complete SB46)	1
49	1547201	(Footrest AirLite Aluminium complete SB48)	1
50	1485860	FOTBØYLE TITAN SB36 AIRLITE 2005	1
51	1485861	(Footrest AirLite Titanium complete SB38)	1
52	1485862	FOTBØYLE TITAN SB40 AIRLITE 2005	1
53	1485863	FOTBØYLE TITAN SB40 SB42 AIRLITE 2005	1
54	1485864	FOTBØYLE TITAN SB44 KUSCHALL	1
55	1547202	(Footrest AirLite Titanium complete SB46)	1
56	1547203	(Footrest AirLite Titanium complete SB48)	1
57	1583595	(Footplate 174mm)	1
58	1583596	(Footplate 194mm)	1
59	1583597	(Footplate 214mm)	1
60	1583598	(Footplate 234mm)	1
61	1583599	(Footplate 254mm)	1
62	1583600	(Footplate 274mm)	1
63	1583601	(Footplate 294mm)	1
64	SP1589856	(Footplate Titanium 184mm)	1
65	SP1589857	(Footplate Titanium 204mm)	1
66	SP1589858	(Footplate Titanium 224mm)	1
67	SP1589859	(Footplate Titanium 244mm)	1
68	SP1589860	(Footplate Titanium 264mm)	1
69	SP1589861	(Footplate Titanium 284mm)	1
70	SP1589862	(Footplate Titanium 304mm)	1
71	1547274	(Footplate sleeve Alu)	1
72	1451717	FESTE FOTBØYLE TITAN K4	1

# (Configuration table for footrest standard mounted on frame aluminium short)

		Rear Wheel 24"			Rear Wheel 25"			Rear Wheel 26"		
Frame Aluminium 75° Short (258 mm)	SHv 45	UL29 -> UL32	UL33 -> UL42	SHv 46	UL29 -> UL32	UL33 -> UL43	SHv 47	UL29 -> UL32	UL33 -> UL44	
	SHv 46	UL29 -> UL33	UL34 -> UL43	SHv 47	UL29 -> UL33	UL34 -> UL44	SHv 48	UL29 -> UL33	UL34 -> UL45	
	SHv 47	UL29 -> UL34	UL35 -> UL44	SHv 48	UL29 -> UL34	UL35 -> UL45	SHv 49	UL29 -> UL34	UL35 -> UL46	
Frame Aluminium 90° Short (283 mm)	SHv 45	UL29 -> UL32	UL33 -> UL41	SHv 46	UL29 -> UL32	UL33 -> UL42	SHv 47	UL29 -> UL32	UL33 -> UL43	
	SHv 46	UL29 -> UL33	UL34 -> UL42	SHv 47	UL29 -> UL33	UL34 -> UL43	SHv 48	UL29 -> UL33	UL34 -> UL44	
	SHv 47	UL29 -> UL34	UL35 -> UL43	SHv 48	UL29 -> UL34	UL35 -> UL44	SHv 49	UL29 -> UL34	UL35 -> UL45	

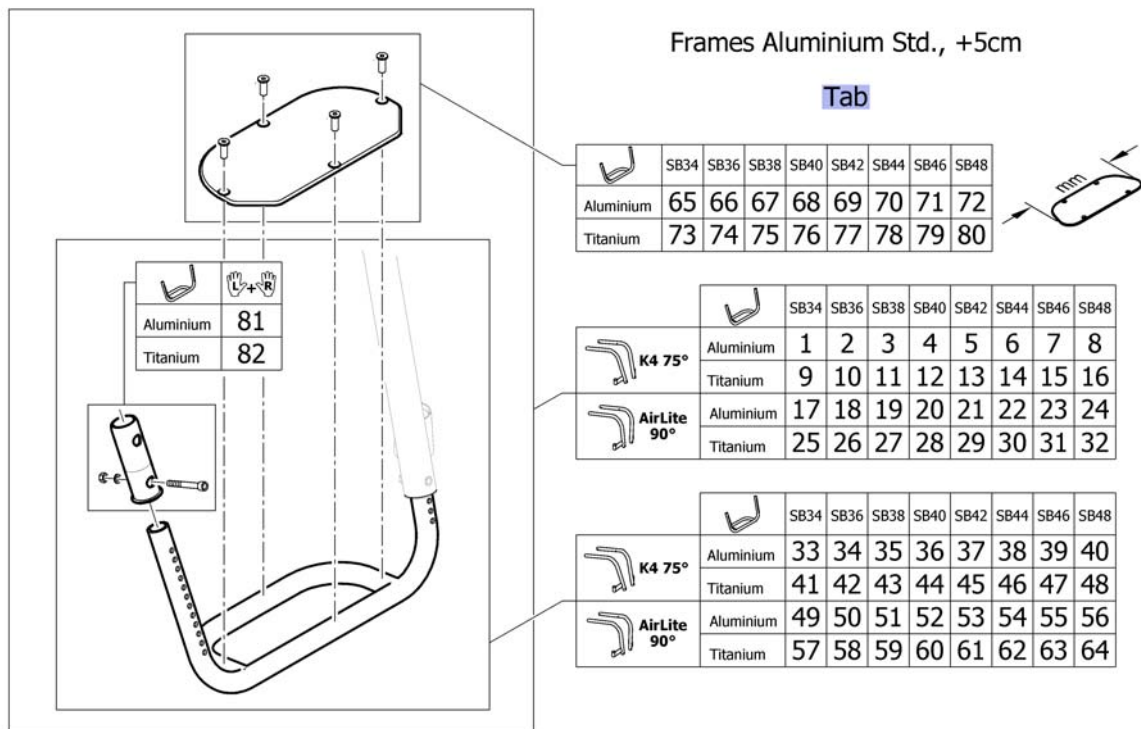


i -

(Knee to heel length (UL) in relationship to frame type, front seat height (SHv) and rear wheel size)

1

## (Footrest standard mounted on frame aluminium Std. or +5cm)



Tab	-	(Configuration table for footrest standard mounted on frame aluminium Std. or +5cm)	1
1	1547275	(Footrest K4 Aluminium with plate complete SB34)	1
2	1547276	(Footrest K4 Aluminium with plate complete SB36)	1
3	1547277	FOTPLATE S38 K4 Alu	1
4	1547278	(Footrest K4 Aluminium with plate complete SB40)	1
5	1547279	(Footrest K4 Aluminium with plate complete SB42)	1
6	1547280	(Footrest K4 Aluminium with plate complete SB44)	1
7	1547281	(Footrest K4 Aluminium with plate complete SB46)	1
8	1547183	(Footrest K4 Aluminium with plate complete SB48)	1
9	1517791	(Footrest K4 Titanium with plate complete SB34)	1
10	1517792	(Footrest K4 Titanium with plate complete SB36)	1
11	1517793	(Footrest K4 Titanium with plate complete SB38)	1
12	1517794	FOTSTØTTE SB40 TITAN K-SERIES KUSCHALL	1
13	1517795	(Footrest K4 Titanium with plate complete SB42)	1
14	1517796	(Footrest K4 Titanium with plate complete SB44)	1
15	1547184	(Footrest K4 Titanium with plate complete SB46)	1
16	1547185	(Footrest K4 Titanium with plate complete SB48)	1
17	1547282	(Footrest AirLite Aluminium with plate complete SB34)	1
18	1547283	(Footrest AirLite Aluminium with plate complete SB36)	1
19	1547284	(Footrest AirLite Aluminium with plate complete SB38)	1
20	1547285	(Footrest AirLite Aluminium with plate complete SB40)	1
21	1547286	(Footrest AirLite Aluminium with plate complete SB42)	1
22	1547287	(Footrest AirLite Aluminium with plate complete SB44)	1
23	1547288	(Footrest AirLite Aluminium with plate complete SB46)	1
24	1547189	(Footrest AirLite Aluminium with plate complete SB48)	1
25	1517804	(Footrest AirLite Titanium with plate complete SB34)	1
26	1517805	(Footrest AirLite Titanium with plate complete SB36)	1
27	1517806	(Footrest AirLite Titanium with plate complete SB38)	1
28	1517807	FOTSTØTTE SB40 TITAN K-SERIES KUSCHALL AIRLIT	1
29	1517808	(Footrest AirLite Titanium with plate complete SB42)	1
30	1517809	FOTBØYLE TITAN SB44 MED PLATE TIL K-SERIEN	1

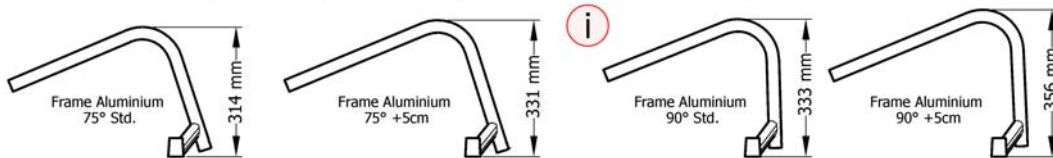
**(Footrest standard mounted on frame aluminium Std. or +5cm)**

31	1547190	(Footrest AirLite Titanium with plate complete SB46)	1
32	1547191	(Footrest AirLite Titanium with plate complete SB48)	1
33	1547289	(Footrest K4 Aluminium complete SB34)	1
34	1547290	(Footrest K4 Aluminium complete SB36)	1
35	1547291	(Footrest K4 Aluminium complete SB38)	1
36	1547292	FOTBØYLE K4 SB40 Alu KPL	1
37	1547293	(Footrest K4 Aluminium complete SB42)	1
38	1547294	(Footrest K4 Aluminium complete SB44)	1
39	1547295	FOTBØYLE ALU SB46 K4	1
40	1547195	(Footrest K4 Aluminium complete SB48)	1
41	1485853	(Footrest K4 Titanium complete SB34)	1
42	1485854	FOTBØYLE TITAN SB36 K4 2005	1
43	1485855	FOTBØYLE TITAN SB38 K4 2005	1
44	1485856	FOTBØYLE TITAN SB40 K4 2005	1
45	1485857	FOTBØYLE TITAN SB42 K4 2005	1
46	1485858	FOTBØYLE TITAN SB44 K4 2005	1
47	1547196	(Footrest K4 Titanium complete SB46)	1
48	1547197	(Footrest K4 Titanium complete SB48)	1
49	1547296	(Footrest AirLite Aluminium complete SB34)	1
50	1547321	(Footrest AirLite Aluminium complete SB36)	1
51	1547322	(Footrest AirLite Aluminium complete SB38)	1
52	1547323	(Footrest AirLite Aluminium complete SB40)	1
53	1547324	(Footrest AirLite Aluminium complete SB42)	1
54	1547325	(Footrest AirLite Aluminium complete SB44)	1
55	1547326	(Footrest AirLite Aluminium complete SB46)	1
56	1547201	(Footrest AirLite Aluminium complete SB48)	1
57	1485859	FOTBØYLE TITAN SB44 AIRLITE 2005	1
58	1485860	FOTBØYLE TITAN SB36 AIRLITE 2005	1
59	1485861	(Footrest AirLite Titanium complete SB38)	1
60	1485862	FOTBØYLE TITAN SB40 AIRLITE 2005	1
61	1485863	FOTBØYLE TITAN SB40 SB42 AIRLITE 2005	1
62	1485864	FOTBØYLE TITAN SB44 KUSCHALL	1
63	1547202	(Footrest AirLite Titanium complete SB46)	1
64	1547203	(Footrest AirLite Titanium complete SB48)	1
65	1583594	(Footplate 154mm)	1
66	1583595	(Footplate 174mm)	1
67	1583596	(Footplate 194mm)	1
68	1583597	(Footplate 214mm)	1
69	1583598	(Footplate 234mm)	1
70	1583599	(Footplate 254mm)	1
71	1583600	(Footplate 274mm)	1
72	1583601	(Footplate 294mm)	1
73	SP1589855	(Footplate Titanium 164mm)	1
74	SP1589856	(Footplate Titanium 184mm)	1
75	SP1589857	(Footplate Titanium 204mm)	1
76	SP1589858	(Footplate Titanium 224mm)	1
77	SP1589859	(Footplate Titanium 244mm)	1
78	SP1589860	(Footplate Titanium 264mm)	1
79	SP1589861	(Footplate Titanium 284mm)	1
80	SP1589862	(Footplate Titanium 304mm)	1
81	1547274	(Footplate sleeve Alu)	1
82	1451717	FESTE FOTBØYLE TITAN K4	1



# (Configuration table for footrest standard mounted on frame aluminium Std. or +5cm)

		Rear Wheel 24"			Rear Wheel 25"			Rear Wheel 26"		
Frame Aluminium 75° Std. (314 mm)	SHv 48	UL29 -> UL36	UL37 -> UL45	SHv 49	UL29 -> UL36	UL37 -> UL46	SHv 50	UL29 -> UL36	UL37 -> UL47	
	SHv 49	UL29 -> UL37	UL38 -> UL46	SHv 50	UL29 -> UL37	UL38 -> UL47	SHv 51	UL29 -> UL37	UL38 -> UL48	
	SHv 50	UL29 -> UL38	UL39 -> UL47	SHv 51	UL29 -> UL38	UL39 -> UL48	SHv 52	UL29 -> UL38	UL39 -> UL49	
Frame Aluminium 75° +5cm (331 mm)	SHv 50	UL29 -> UL38	UL39 -> UL47	SHv 51	UL29 -> UL38	UL39 -> UL48	SHv 52	UL29 -> UL38	UL39 -> UL49	
	SHv 51	UL29 -> UL39	UL40 -> UL48	SHv 52	UL29 -> UL39	UL40 -> UL49	SHv 53	UL29 -> UL39	UL40 -> UL50	
	SHv 52	UL29 -> UL40	UL41 -> UL49	SHv 53	UL29 -> UL40	UL41 -> UL50	SHv 54	UL29 -> UL40	UL41 -> UL51	
Frame Aluminium 90° Std. (333 mm)	SHv 48	UL29 -> UL36	UL37 -> UL44	SHv 49	UL29 -> UL36	UL37 -> UL45	SHv 50	UL29 -> UL36	UL37 -> UL46	
	SHv 49	UL29 -> UL37	UL38 -> UL45	SHv 50	UL29 -> UL37	UL38 -> UL46	SHv 51	UL29 -> UL37	UL38 -> UL47	
	SHv 50	UL29 -> UL38	UL39 -> UL46	SHv 51	UL29 -> UL38	UL39 -> UL47	SHv 52	UL29 -> UL38	UL39 -> UL48	
Frame Aluminium 90° +5cm (356 mm)	SHv 50	UL29 -> UL39	UL40 -> UL46	SHv 51	UL29 -> UL39	UL40 -> UL47	SHv 52	UL29 -> UL39	UL40 -> UL48	
	SHv 51	UL29 -> UL40	UL41 -> UL47	SHv 52	UL29 -> UL40	UL41 -> UL48	SHv 53	UL29 -> UL40	UL41 -> UL49	
	SHv 52	UL29 -> UL41	UL42 -> UL48	SHv 53	UL29 -> UL41	UL42 -> UL49	SHv 54	UL29 -> UL41	UL42 -> UL50	

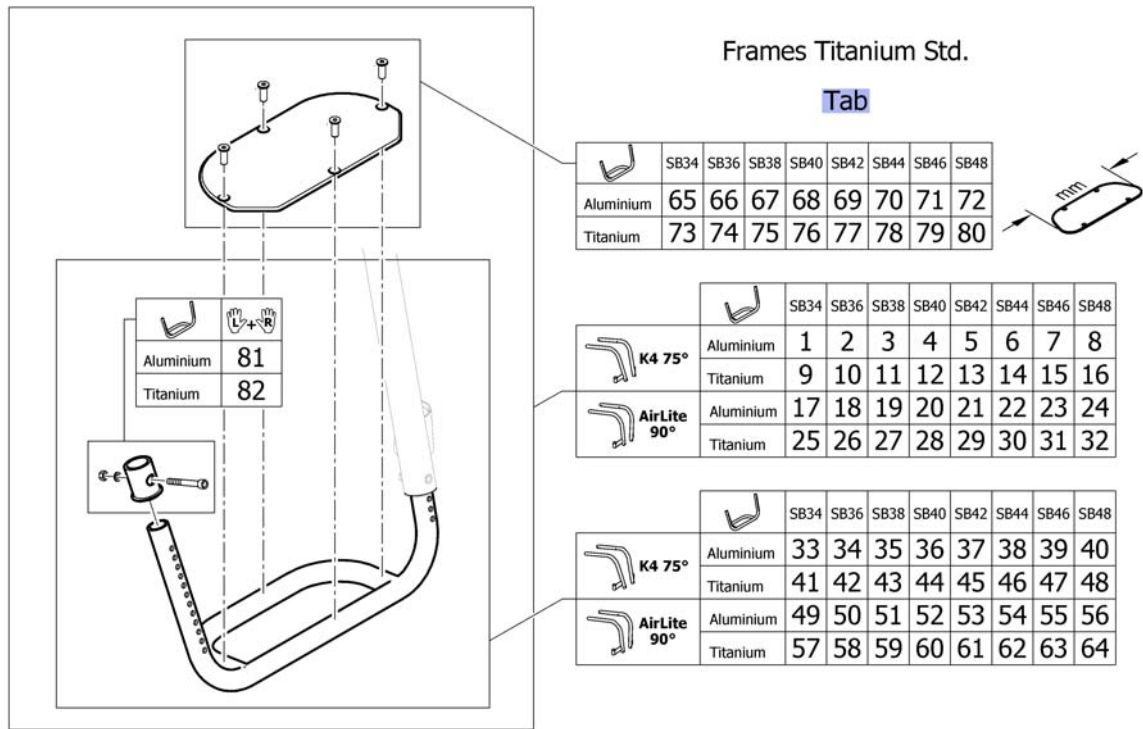


i -

(Knee to heel length (UL) in relationship to frame type, front seat height (SHv) and rear wheel size)

1

# (Footrest standard mounted on frame Titanium)



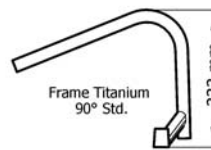
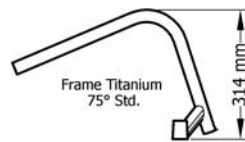
Tab	-	(Configuration table for footrest standard mounted on frame Titanium)	1
1	1544559	(Footrest K4 Aluminium with plate complete SB34 to titanium frames)	1
2	1544560	(Footrest K4 Aluminium with plate complete SB36 to titanium frames)	1
3	1544561	(Footrest K4 Aluminium with plate complete SB38 to titanium frames)	1
4	1544562	(Footrest K4 Aluminium with plate complete SB40 to titanium frames)	1
5	1544563	(Footrest K4 Aluminium with plate complete SB42 to titanium frames)	1
6	1544564	(Footrest K4 Aluminium with plate complete SB44 to titanium frames)	1
7	1544565	(Footrest K4 Aluminium with plate complete SB46 to titanium frames)	1
8	1547186	(Footrest K4 Aluminium with plate complete SB48 to titanium frames)	1
9	1544566	(Footrest K4 Titanium with plate complete SB34 to titanium frames)	1
10	1544567	(Footrest K4 Titanium with plate complete SB36 to titanium frames)	1
11	1544568	(Footrest K4 Titanium with plate complete SB38 to titanium frames)	1
12	1544569	(Footrest K4 Titanium with plate complete SB40 to titanium frames)	1
13	1544570	(Footrest K4 Titanium with plate complete SB42 to titanium frames)	1
14	1544571	(Footrest K4 Titanium with plate complete SB44 to titanium frames)	1
15	1547187	(Footrest K4 Titanium with plate complete SB46 to titanium frames)	1
16	1547188	(Footrest K4 Titanium with plate complete SB48 to titanium frames)	1
17	1544572	(Footrest AirLite Aluminium with plate complete SB34 to titanium frames)	1
18	1544573	(Footrest AirLite Aluminium with plate complete SB36 to titanium frames)	1
19	1544574	(Footrest AirLite Aluminium with plate complete SB38 to titanium frames)	1
20	1544575	(Footrest AirLite Aluminium with plate complete SB40 to titanium frames)	1
21	1544576	(Footrest AirLite Aluminium with plate complete SB42 to titanium frames)	1
22	1544577	(Footrest AirLite Aluminium with plate complete SB44 to titanium frames)	1
23	1544578	(Footrest AirLite Aluminium with plate complete SB46 to titanium frames)	1
24	1547192	(Footrest AirLite Aluminium with plate complete SB48 to titanium frames)	1
25	1544579	(Footrest AirLite Titanium with plate complete SB34 to titanium frames)	1
26	1544580	(Footrest AirLite Titanium with plate complete SB36 to titanium frames)	1
27	1544581	(Footrest AirLite Titanium with plate complete SB38 to titanium frames)	1
28	1544582	(Footrest AirLite Titanium with plate complete SB40 to titanium frames)	1
29	1544583	(Footrest AirLite Titanium with plate complete SB42 to titanium frames)	1
30	1544584	(Footrest AirLite Titanium with plate complete SB44 to titanium frames)	1

**(Footrest standard mounted on frame Titanium)**

31	1547193	(Footrest AirLite Titanium with plate complete SB46 to titanium frames)	1
32	1547194	(Footrest AirLite Titanium with plate complete SB48 to titanium frames)	1
33	1544425	(Footrest K4 Aluminium complete SB34 to titanium frames)	1
34	1544426	(Footrest K4 Aluminium complete SB36 to titanium frames)	1
35	1544427	(Footrest K4 Aluminium complete SB38 to titanium frames)	1
36	1544428	(Footrest K4 Aluminium complete SB40 to titanium frames)	1
37	1544429	(Footrest K4 Aluminium complete SB42 to titanium frames)	1
38	1544430	(Footrest K4 Aluminium complete SB44 to titanium frames)	1
39	1544431	(Footrest K4 Aluminium complete SB46 to titanium frames)	1
40	1547198	(Footrest K4 Aluminium complete SB48 to titanium frames)	1
41	1544432	(Footrest K4 Titanium complete SB34 to titanium frames)	1
42	1544433	(Footrest K4 Titanium complete SB36 to titanium frames)	1
43	1544434	(Footrest K4 Titanium complete SB38 to titanium frames)	1
44	1544543	(Footrest K4 Titanium complete SB40 to titanium frames)	1
45	1544544	(Footrest K4 Titanium complete SB42 to titanium frames)	1
46	1544545	(Footrest K4 Titanium complete SB44 to titanium frames)	1
47	1547199	(Footrest K4 Titanium complete SB46 to titanium frames)	1
48	1547200	(Footrest K4 Titanium complete SB48 to titanium frames)	1
49	1544546	(Footrest AirLite Aluminium complete SB34 to titanium frames)	1
50	1544547	(Footrest AirLite Aluminium complete SB36 to titanium frames)	1
51	1544548	(Footrest AirLite Aluminium complete SB38 to titanium frames)	1
52	1544549	(Footrest AirLite Aluminium complete SB40 to titanium frames)	1
53	1544550	(Footrest AirLite Aluminium complete SB42 to titanium frames)	1
54	1544551	(Footrest AirLite Aluminium complete SB44 to titanium frames)	1
55	1544552	FOTSTØTTE HREG KPL SB46 FOR TITAN RAMME	1
56	1547204	(Footrest AirLite Aluminium complete SB48 to titanium frames)	1
57	1544553	(Footrest AirLite Titanium complete SB34 to titanium frames)	1
58	1544554	(Footrest AirLite Titanium complete SB36 to titanium frames)	1
59	1544555	(Footrest AirLite Titanium complete SB38 to titanium frames)	1
60	1544556	(Footrest AirLite Titanium complete SB40 to titanium frames)	1
61	1544557	(Footrest AirLite Titanium complete SB42 to titanium frames)	1
62	1544558	(Footrest AirLite Titanium complete SB44 to titanium frames)	1
63	1547205	(Footrest AirLite Titanium complete SB46 to titanium frames)	1
64	1547206	(Footrest AirLite Titanium complete SB48 to titanium frames)	1
65	1583594	(Footplate 154mm)	1
66	1583595	(Footplate 174mm)	1
67	1583596	(Footplate 194mm)	1
68	1583597	(Footplate 214mm)	1
69	1583598	(Footplate 234mm)	1
70	1583599	(Footplate 254mm)	1
71	1583600	(Footplate 274mm)	1
72	1583601	(Footplate 294mm)	1
73	SP1589855	(Footplate Titanium 164mm)	1
74	SP1589856	(Footplate Titanium 184mm)	1
75	SP1589857	(Footplate Titanium 204mm)	1
76	SP1589858	(Footplate Titanium 224mm)	1
77	SP1589859	(Footplate Titanium 244mm)	1
78	SP1589860	(Footplate Titanium 264mm)	1
79	SP1589861	(Footplate Titanium 284mm)	1
80	SP1589862	(Footplate Titanium 304mm)	1
81	1544585	(Footplate sleeve Alu to titanium frames)	1
82	1451717	FESTE FOTBØYLE TITAN K4	1

## (Configuration table for footrest standard mounted on frame Titanium)

		Rear Wheel 24"		Rear Wheel 25"		Rear Wheel 26"			
Frame Titanium 75° Std. (314 mm)	SHv 48	UL29 -> UL36	UL37 -> UL45	SHv 49	UL29 -> UL36	UL37 -> UL46	SHv 50	UL29 -> UL36	UL37 -> UL47
	SHv 49	UL29 -> UL37	UL38 -> UL46	SHv 50	UL29 -> UL37	UL38 -> UL47	SHv 51	UL29 -> UL37	UL38 -> UL48
	SHv 50	UL29 -> UL38	UL39 -> UL47	SHv 51	UL29 -> UL38	UL39 -> UL48	SHv 52	UL29 -> UL38	UL39 -> UL49
Frame Titanium 90° Std. (333 mm)	SHv 48	UL29 -> UL36	UL37 -> UL44	SHv 49	UL29 -> UL36	UL37 -> UL45	SHv 50	UL29 -> UL36	UL37 -> UL46
	SHv 49	UL29 -> UL37	UL38 -> UL45	SHv 50	UL29 -> UL37	UL38 -> UL46	SHv 51	UL29 -> UL37	UL38 -> UL47
	SHv 50	UL29 -> UL38	UL39 -> UL46	SHv 51	UL29 -> UL38	UL39 -> UL47	SHv 52	UL29 -> UL38	UL39 -> UL48

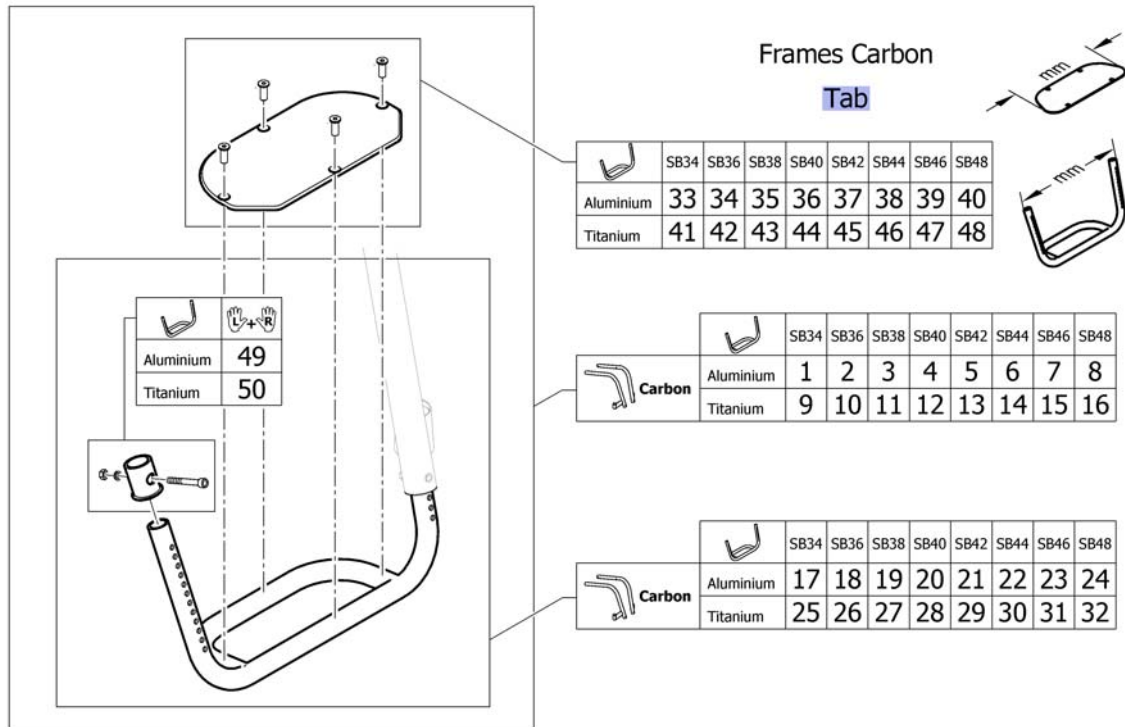


i -

(Knee to heel length (UL) in relationship to frame type, front seat height (SHv) and rear wheel size)

1

## (Footrest standard mounted on frame Carbon)



Tab	-	(Configuration table for footrest standard mounted on frame Carbon)	1
1	SP1589308	(Footrest K4 Aluminium with plate complete 283mm for frame carbon)	1
2	SP1589506	(Footrest K4 Aluminium with plate complete 303mm for frame carbon)	1
3	SP1589507	(Footrest K4 Aluminium with plate complete 323mm for frame carbon)	1
4	SP1589508	(Footrest K4 Aluminium with plate complete 343mm for frame carbon)	1
5	SP1589509	(Footrest K4 Aluminium with plate complete 363mm for frame carbon)	1
6	SP1589510	(Footrest K4 Aluminium with plate complete 383mm for frame carbon)	1
7	SP1589511	(Footrest K4 Aluminium with plate complete 403mm for frame carbon)	1
8	SP1589512	(Footrest K4 Aluminium with plate complete 423mm for frame carbon)	1
9	1517791	(Footrest K4 Titanium with plate complete SB34)	1
10	1517792	(Footrest K4 Titanium with plate complete SB36)	1
11	1517793	(Footrest K4 Titanium with plate complete SB38)	1
12	1517794	FOTSTØTTE SB40 TITAN K-SERIES KUSCHALL	1
13	1517795	(Footrest K4 Titanium with plate complete SB42)	1
14	1517796	(Footrest K4 Titanium with plate complete SB44)	1
15	1547184	(Footrest K4 Titanium with plate complete SB46)	1
16	1547185	(Footrest K4 Titanium with plate complete SB48)	1
17	SP1589513	(Footrest K4 Aluminium complete 283mm for frame carbon)	1
18	SP1589514	(Footrest K4 Aluminium complete 303mm for frame carbon)	1
19	SP1589515	(Footrest K4 Aluminium complete 323mm for frame carbon)	1
20	SP1589516	(Footrest K4 Aluminium complete 343mm for frame carbon)	1
21	SP1589517	(Footrest K4 Aluminium complete 363mm for frame carbon)	1
22	SP1589518	(Footrest K4 Aluminium complete 383mm for frame carbon)	1
23	SP1589519	(Footrest K4 Aluminium complete 403mm for frame carbon)	1
24	SP1589795	(Footrest K4 Aluminium complete 423mm for frame carbon)	1
25	1485853	(Footrest K4 Titanium complete SB34)	1
26	1485854	FOTBØYLE TITAN SB36 K4 2005	1
27	1485855	FOTBØYLE TITAN SB38 K4 2005	1
28	1485856	FOTBØYLE TITAN SB40 K4 2005	1
29	1485857	FOTBØYLE TITAN SB42 K4 2005	1
30	1485858	FOTBØYLE TITAN SB44 K4 2005	1

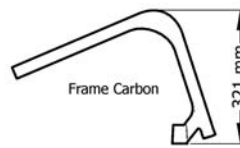
**(Footrest standard mounted on frame Carbon)**

---

31	1547196	(Footrest K4 Titanium complete SB46)	1
32	1547197	(Footrest K4 Titanium complete SB48)	1
33	1583594	(Footplate 154mm)	1
34	1583595	(Footplate 174mm)	1
35	1583596	(Footplate 194mm)	1
36	1583597	(Footplate 214mm)	1
37	1583598	(Footplate 234mm)	1
38	1583599	(Footplate 254mm)	1
39	1583600	(Footplate 274mm)	1
40	1583601	(Footplate 294mm)	1
41	SP1589855	(Footplate Titanium 164mm)	1
42	SP1589856	(Footplate Titanium 184mm)	1
43	SP1589857	(Footplate Titanium 204mm)	1
44	SP1589858	(Footplate Titanium 224mm)	1
45	SP1589859	(Footplate Titanium 244mm)	1
46	SP1589860	(Footplate Titanium 264mm)	1
47	SP1589861	(Footplate Titanium 284mm)	1
48	SP1589862	(Footplate Titanium 304mm)	1
49	SP1589796	(Footplate sleeve Alu for frame carbon)	1
50	1451717	FESTE FOTBØYLE TITAN K4	1

# (Configuration table for footrest standard mounted on frame Carbon)

		Rear Wheel 24"		Rear Wheel 25"		Rear Wheel 26"			
Frame Carbon (321 mm)	SHv 49	UL29 -> UL37	UL38 -> UL46	SHv 49	UL29 -> UL37	UL38 -> UL47	SHv 50	UL29 -> UL37	UL38 -> UL48
	SHv 50	UL29 -> UL38	UL39 -> UL47	SHv 50	UL29 -> UL38	UL39 -> UL48	SHv 51	UL29 -> UL38	UL39 -> UL49



i -

(Knee to heel length (UL) in relationship to frame type, front seat height (SHv) and rear wheel size)

1

**(Footrest standard for adducted frame)**

	SB34	SB36	SB38	SB40	SB42	SB44	SB46	SB48
Aluminium	65	66	67	68	69	70	71	72
Titanium	73	74	75	76	77	78	79	80

**Tab**

Frame adducted		SB34	SB36	SB38	SB40	SB42	SB44	SB46	SB48
	Aluminium	1	2	3	4	5	6	7	8
	Titanium	9	10	11	12	13	14	15	16
	Aluminium	17	18	19	20	21	22	23	24
	Titanium	25	26	27	28	29	30	31	32

Frame adducted		SB34	SB36	SB38	SB40	SB42	SB44	SB46	SB48
	Aluminium	33	34	35	36	37	38	39	40
	Titanium	41	42	43	44	45	46	47	48
	Aluminium	49	50	51	52	53	54	55	56
	Titanium	57	58	59	60	61	62	63	64

Tab	-	(Configuration table for footrest standard mounted on adducted frame)	1
1	1547210	(Footrest K4 Aluminium with plate complete SB34 for adducted frame)	1
2	1547211	(Footrest K4 Aluminium with plate complete SB36 for adducted frame)	1
3	1547212	(Footrest K4 Aluminium with plate complete SB38 for adducted frame)	1
4	1547213	(Footrest K4 Aluminium with plate complete SB40 for adducted frame)	1
5	1547214	(Footrest K4 Aluminium with plate complete SB42 for adducted frame)	1
6	1547215	(Footrest K4 Aluminium with plate complete SB44 for adducted frame)	1
7	1547216	(Footrest K4 Aluminium with plate complete SB46 for adducted frame)	1
8	1547217	(Footrest K4 Aluminium with plate complete SB48 for adducted frame)	1
9	1547218	(Footrest K4 Titanium with plate complete SB34 for adducted frame)	1
10	1547219	(Footrest K4 Titanium with plate complete SB36 for adducted frame)	1
11	1547220	(Footrest K4 Titanium with plate complete SB38 for adducted frame)	1
12	1547221	(Footrest K4 Titanium with plate complete SB40 for adducted frame)	1
13	1547222	(Footrest K4 Titanium with plate complete SB42 for adducted frame)	1
14	1547223	(Footrest K4 Titanium with plate complete SB44 for adducted frame)	1
15	1547224	(Footrest K4 Titanium with plate complete SB46 for adducted frame)	1
16	1547225	(Footrest K4 Titanium with plate complete SB48 for adducted frame)	1
17	1547226	(Footrest AirLite Aluminium with plate complete SB34 for adducted frame)	1
18	1547227	(Footrest AirLite Aluminium with plate complete SB36 for adducted frame)	1
19	1547228	(Footrest AirLite Aluminium with plate complete SB38 for adducted frame)	1
20	1547229	(Footrest AirLite Aluminium with plate complete SB40 for adducted frame)	1
21	1547230	(Footrest AirLite Aluminium with plate complete SB42 for adducted frame)	1
22	1547231	(Footrest AirLite Aluminium with plate complete SB44 for adducted frame)	1
23	1547232	(Footrest AirLite Aluminium with plate complete SB46 for adducted frame)	1
24	1547233	(Footrest AirLite Aluminium with plate complete SB48 for adducted frame)	1
25	1547234	(Footrest AirLite Titanium with plate complete SB34 for adducted frame)	1
26	1547235	(Footrest AirLite Titanium with plate complete SB36 for adducted frame)	1
27	1547236	(Footrest AirLite Titanium with plate complete SB38 for adducted frame)	1
28	1547237	(Footrest AirLite Titanium with plate complete SB40 for adducted frame)	1
29	1547238	(Footrest AirLite Titanium with plate complete SB42 for adducted frame)	1
30	1547239	(Footrest AirLite Titanium with plate complete SB44 for adducted frame)	1

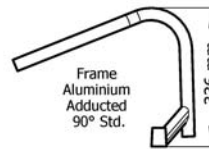
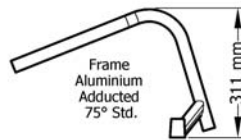


**(Footrest standard for adducted frame)**

31	1547240	(Footrest AirLite Titanium with plate complete SB46 for adducted frame)	1
32	1547241	(Footrest AirLite Titanium with plate complete SB48 for adducted frame)	1
33	1547242	(Footrest K4 Aluminium complete SB34 for adducted frame)	1
34	1547243	(Footrest K4 Aluminium complete SB36 for adducted frame)	1
35	1547244	(Footrest K4 Aluminium complete SB38 for adducted frame)	1
36	1547245	(Footrest K4 Aluminium complete SB40 for adducted frame)	1
37	1547246	(Footrest K4 Aluminium complete SB42 for adducted frame)	1
38	1547247	(Footrest K4 Aluminium complete SB44 for adducted frame)	1
39	1547248	(Footrest K4 Aluminium complete SB46 for adducted frame)	1
40	1547249	(Footrest K4 Aluminium complete SB48 for adducted frame)	1
41	1547250	(Footrest K4 Titanium complete SB34 for adducted frame)	1
42	1547251	(Footrest K4 Titanium complete SB36 for adducted frame)	1
43	1547252	(Footrest K4 Titanium complete SB38 for adducted frame)	1
44	1547253	(Footrest K4 Titanium complete SB40 for adducted frame)	1
45	1547254	(Footrest K4 Titanium complete SB42 for adducted frame)	1
46	1547255	(Footrest K4 Titanium complete SB44 for adducted frame)	1
47	1547256	(Footrest K4 Titanium complete SB46 for adducted frame)	1
48	1547257	(Footrest K4 Titanium complete SB48 for adducted frame)	1
49	1547258	(Footrest AirLite Aluminium complete SB34 for adducted frame)	1
50	1547259	(Footrest AirLite Aluminium complete SB36 for adducted frame)	1
51	1547260	(Footrest AirLite Aluminium complete SB38 for adducted frame)	1
52	1547261	(Footrest AirLite Aluminium complete SB40 for adducted frame)	1
53	1547262	(Footrest AirLite Aluminium complete SB42 for adducted frame)	1
54	1547263	(Footrest AirLite Aluminium complete SB44 for adducted frame)	1
55	1547264	(Footrest AirLite Aluminium complete SB46 for adducted frame)	1
56	1547265	(Footrest AirLite Aluminium complete SB48 for adducted frame)	1
57	1547266	(Footrest AirLite Titanium complete SB34 for adducted frame)	1
58	1547267	(Footrest AirLite Titanium complete SB36 for adducted frame)	1
59	1547268	(Footrest AirLite Titanium complete SB38 for adducted frame)	1
60	1547269	(Footrest AirLite Titanium complete SB40 for adducted frame)	1
61	1547270	(Footrest AirLite Titanium complete SB42 for adducted frame)	1
62	1547271	(Footrest AirLite Titanium complete SB44 for adducted frame)	1
63	1547272	(Footrest AirLite Titanium complete SB46 for adducted frame)	1
64	1547273	(Footrest AirLite Titanium complete SB48 for adducted frame)	1
65	1547396	(Footplate Aluminium SB34 for adducted frame)	1
66	1547397	(Footplate Aluminium SB36 for adducted frame)	1
67	1547398	(Footplate Aluminium SB38 for adducted frame)	1
68	1547399	(Footplate Aluminium SB40 for adducted frame)	1
69	1547400	(Footplate Aluminium SB42 for adducted frame)	1
70	1547401	(Footplate Aluminium SB44 for adducted frame)	1
71	1547402	(Footplate Aluminium SB46 for adducted frame)	1
72	1547403	(Footplate Aluminium SB48 for adducted frame)	1
73	1547404	(Footplate Titanium SB34 for adducted frame)	1
74	1547405	(Footplate Titanium SB36 for adducted frame)	1
75	1547406	(Footplate Titanium SB38 for adducted frame)	1
76	1547407	(Footplate Titanium SB40 for adducted frame)	1
77	1547408	(Footplate Titanium SB42 for adducted frame)	1
78	1547409	(Footplate Titanium SB44 for adducted frame)	1
79	1547410	(Footplate Titanium SB46 for adducted frame)	1
80	1547411	(Footplate Titanium SB48 for adducted frame)	1
81	1547274	(Footplate sleeve Alu)	1
82	1451717	FESTE FOTBØYLE TITAN K4	1

**(Configuration table for footrest standard mounted on adducted frame)**

		Rear Wheel 24"		Rear Wheel 25"		Rear Wheel 26"			
Frame Aluminium Adducted 75° (311 mm)	SHv 48	UL29 -> UL36	UL37 -> UL45	SHv 49	UL29 -> UL36	UL37 -> UL46	SHv 50	UL29 -> UL36	UL37 -> UL47
	SHv 49	UL29 -> UL37	UL38 -> UL46	SHv 50	UL29 -> UL37	UL38 -> UL47	SHv 51	UL29 -> UL37	UL38 -> UL48
	SHv 50	UL29 -> UL38	UL39 -> UL47	SHv 51	UL29 -> UL38	UL39 -> UL48	SHv 52	UL29 -> UL38	UL39 -> UL49
Frame Aluminium Adducted 90° (336 mm)	SHv 48	UL29 -> UL36	UL39 -> UL44	SHv 49	UL29 -> UL36	UL39 -> UL45	SHv 50	UL29 -> UL36	UL39 -> UL46
	SHv 49	UL29 -> UL37	UL40 -> UL45	SHv 50	UL29 -> UL37	UL40 -> UL46	SHv 51	UL29 -> UL37	UL40 -> UL47
	SHv 50	UL29 -> UL38	UL41 -> UL46	SHv 51	UL29 -> UL38	UL41 -> UL47	SHv 52	UL29 -> UL38	UL41 -> UL48

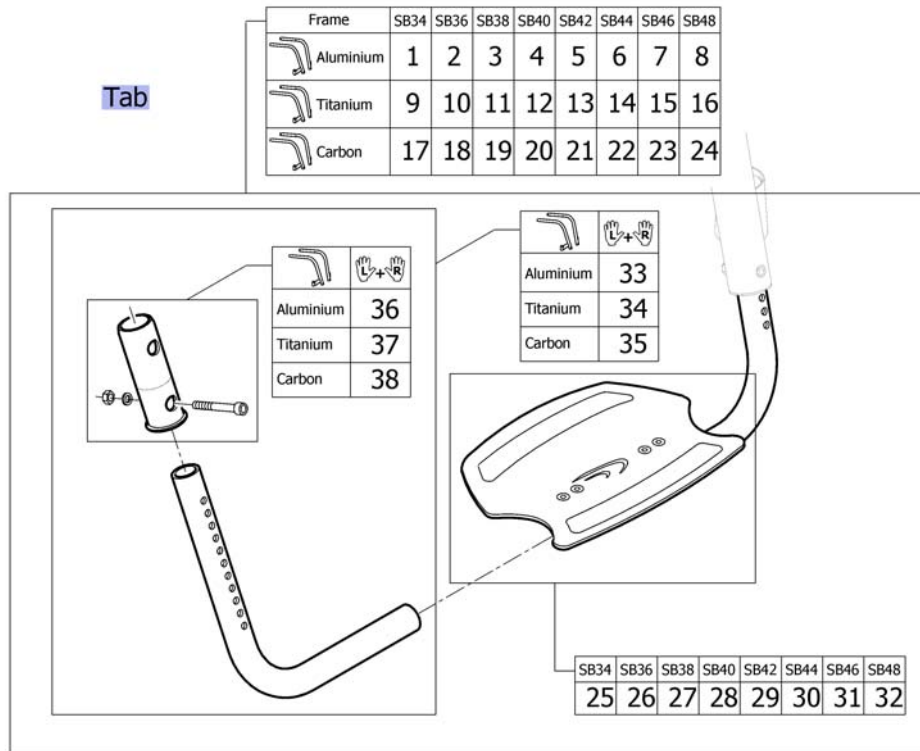


i -

(Knee to heel length (UL) in relationship to frame type, front seat height (SHv) and rear wheel size)

1

**(Footrest angle adjustable)**



Tab	-	(Configuration table for footrest angle adjustable)	1
1	1547352	(Footrest angle adjustable complete SB34 to aluminium frames)	1
2	1547353	(Footrest angle adjustable complete SB36 to aluminium frames)	1
3	1547354	FOTBØYLE SB38 KARBON VINKELJU. Kpl. SB40 KSL	1
4	1547355	FOTBØYLE SB40 KARBON VINKELJU. Kpl. SB40 KSL	1
5	1547356	(Footrest angle adjustable complete SB42 to aluminium frames)	1
6	1547357	(Footrest angle adjustable complete SB44 to aluminium frames)	1
7	1547358	(Footrest angle adjustable complete SB46 to aluminium frames)	1
8	1547359	(Footrest angle adjustable complete SB48 to aluminium frames)	1
9	1547360	(Footrest angle adjustable complete SB34 to titanium frames)	1
10	1547361	(Footrest angle adjustable complete SB36 to titanium frames)	1
11	1547362	(Footrest angle adjustable complete SB38 to titanium frames)	1
12	1547363	(Footrest angle adjustable complete SB40 to titanium frames)	1
13	1547364	(Footrest angle adjustable complete SB42 to titanium frames)	1
14	1547365	(Footrest angle adjustable complete SB44 to titanium frames)	1
15	1547366	(Footrest angle adjustable complete SB46 to titanium frames)	1
16	1547367	(Footrest angle adjustable complete SB48 to titanium frames)	1
17	SP1589864	(Footrest angle adjustable complete SB34 to carbon frames)	1
18	SP1589865	(Footrest angle adjustable complete SB36 to carbon frames)	1
19	SP1589866	(Footrest angle adjustable complete SB38 to carbon frames)	1
20	SP1589867	(Footrest angle adjustable complete SB40 to carbon frames)	1
21	SP1589868	(Footrest angle adjustable complete SB42 to carbon frames)	1
22	SP1589869	(Footrest angle adjustable complete SB44 to carbon frames)	1
23	SP1589870	(Footrest angle adjustable complete SB46 to carbon frames)	1
24	SP1589871	(Footrest angle adjustable complete SB48 to carbon frames)	1
25	1547369	(footplate with clamping part SB34)	1
26	1547370	FOTPLATE KARBON SB36 KPL K10	1
27	1547371	(footplate with clamping part SB38)	1
28	1547372	FOTPLATE KARBON SB40 KSL	1
29	1547373	(footplate with clamping part SB42)	1
30	1547374	(footplate with clamping part SB44)	1

## (Footrest angle adjustable)

---

31	1547375	(footplate with clamping part SB46)	1
32	1547376	(footplate with clamping part SB48)	1
33	1547368	(Telescopic tube kit to footrest angle adjustable to aluminium frames)	1
34	1547394	(Telescopic tube kit to footrest angle adjustable to titanium frames)	1
35	SP1589872	(Telescopic tube kit to footrest angle adjustable to carbon frames)	1
36	1547274	(Footplate sleeve Alu)	1
37	1544585	(Footplate sleeve Alu to titanium frames)	1
38	SP1589796	(Footplate sleeve Alu for frame carbon)	1

## (Configuration table for footrest angle adjustable)

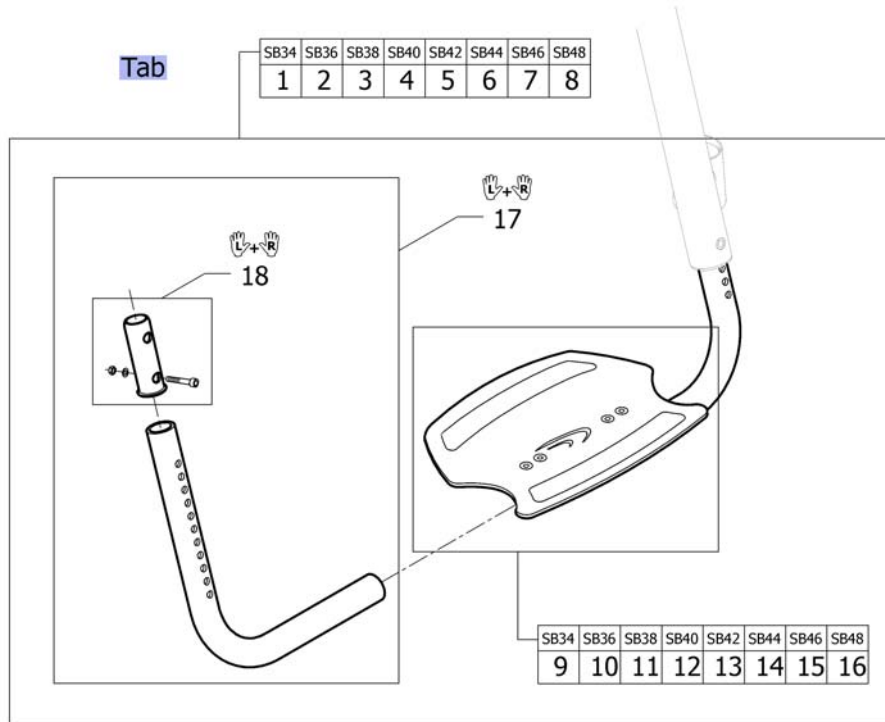
		Rear Wheel 24"		Rear Wheel 25"		Rear Wheel 26"			
		SHv	UL	SHv	UL	SHv	UL		
Frame Aluminium 75° Short (258 mm)	SHv 45	UL29 -> UL32	UL33 -> UL42	SHv 46	UL29 -> UL32	UL33 -> UL43	SHv 47	UL29 -> UL32	UL33 -> UL44
	SHv 46	UL29 -> UL33	UL34 -> UL43	SHv 47	UL29 -> UL33	UL34 -> UL44	SHv 48	UL29 -> UL33	UL34 -> UL45
	SHv 47	UL29 -> UL34	UL35 -> UL44	SHv 48	UL29 -> UL34	UL35 -> UL45	SHv 49	UL29 -> UL34	UL35 -> UL46
Frame Aluminium Titanium 75° Std. (314 mm)	SHv 48	UL29 -> UL36	UL37 -> UL45	SHv 49	UL29 -> UL36	UL37 -> UL46	SHv 50	UL29 -> UL36	UL37 -> UL47
	SHv 49	UL29 -> UL37	UL38 -> UL46	SHv 50	UL29 -> UL37	UL38 -> UL47	SHv 51	UL29 -> UL37	UL38 -> UL48
	SHv 50	UL29 -> UL38	UL39 -> UL47	SHv 51	UL29 -> UL38	UL39 -> UL48	SHv 52	UL29 -> UL38	UL39 -> UL49
Frame Aluminium 75° +5cm (331 mm)	SHv 50	UL29 -> UL38	UL39 -> UL47	SHv 51	UL29 -> UL38	UL39 -> UL48	SHv 52	UL29 -> UL38	UL39 -> UL49
	SHv 51	UL29 -> UL39	UL40 -> UL48	SHv 52	UL29 -> UL39	UL40 -> UL49	SHv 53	UL29 -> UL39	UL40 -> UL50
	SHv 52	UL29 -> UL40	UL41 -> UL49	SHv 53	UL29 -> UL40	UL41 -> UL50	SHv 54	UL29 -> UL40	UL41 -> UL51
Frame Aluminium 90° Short (283 mm)	SHv 45	UL29 -> UL32	UL33 -> UL41	SHv 46	UL29 -> UL32	UL33 -> UL42	SHv 47	UL29 -> UL32	UL33 -> UL43
	SHv 46	UL29 -> UL33	UL34 -> UL42	SHv 47	UL29 -> UL33	UL34 -> UL43	SHv 48	UL29 -> UL33	UL34 -> UL44
	SHv 47	UL29 -> UL34	UL35 -> UL43	SHv 48	UL29 -> UL34	UL35 -> UL44	SHv 49	UL29 -> UL34	UL35 -> UL45
Frame Aluminium Titanium 90° Std. (333 mm)	SHv 48	UL29 -> UL36	UL37 -> UL44	SHv 49	UL29 -> UL36	UL37 -> UL45	SHv 50	UL29 -> UL36	UL37 -> UL46
	SHv 49	UL29 -> UL37	UL38 -> UL45	SHv 50	UL29 -> UL37	UL38 -> UL46	SHv 51	UL29 -> UL37	UL38 -> UL47
	SHv 50	UL29 -> UL38	UL39 -> UL46	SHv 51	UL29 -> UL38	UL39 -> UL47	SHv 52	UL29 -> UL38	UL39 -> UL48
Frame Aluminium 90° +5cm (356 mm)	SHv 50	UL29 -> UL39	UL40 -> UL46	SHv 51	UL29 -> UL39	UL40 -> UL47	SHv 52	UL29 -> UL39	UL40 -> UL48
	SHv 51	UL29 -> UL40	UL41 -> UL47	SHv 52	UL29 -> UL40	UL41 -> UL48	SHv 53	UL29 -> UL40	UL41 -> UL49
	SHv 52	UL29 -> UL41	UL42 -> UL48	SHv 53	UL29 -> UL41	UL42 -> UL49	SHv 54	UL29 -> UL41	UL42 -> UL50
Frame Carbon (321 mm)	SHv 49	UL29 -> UL37	UL38 -> UL46	SHv 46	UL29 -> UL37	UL38 -> UL47	SHv 47	UL29 -> UL37	UL38 -> UL48
	SHv 50	UL29 -> UL38	UL39 -> UL47	SHv 47	UL29 -> UL38	UL39 -> UL48	SHv 48	UL29 -> UL38	UL39 -> UL49

i -

(Knee to heel length (UL) in relationship to frame type, front seat height (SHv) and rear wheel size)

1

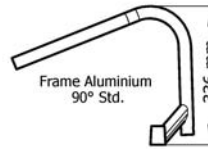
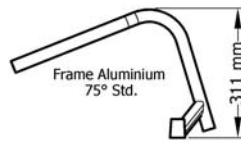
**(Footrest angle adjustable for adducted frame)**



Tab	-	(Configuration table for footrest angle adjustable mounted on adducted frame)	1
1	1547377	(Footrest angle adjustable complete SB34 for adducted frame)	1
2	1547378	(Footrest angle adjustable complete SB36 for adducted frame)	1
3	1547379	(Footrest angle adjustable complete SB38 for adducted frame)	1
4	1547380	(Footrest angle adjustable complete SB40 for adducted frame)	1
5	1547381	(Footrest angle adjustable complete SB42 for adducted frame)	1
6	1547382	(Footrest angle adjustable complete SB44 for adducted frame)	1
7	1547383	(Footrest angle adjustable complete SB46 for adducted frame)	1
8	1547384	(Footrest angle adjustable complete SB48 for adducted frame)	1
9	1547386	(footplate with clamping part SB34 for adducted frame)	1
10	1547387	(footplate with clamping part SB36 for adducted frame)	1
11	1547388	(footplate with clamping part SB38 for adducted frame)	1
12	1547389	(footplate with clamping part SB40 for adducted frame)	1
13	1547390	(footplate with clamping part SB42 for adducted frame)	1
14	1547391	(footplate with clamping part SB44 for adducted frame)	1
15	1547392	(footplate with clamping part SB46 for adducted frame)	1
16	1547393	(footplate with clamping part SB48 for adducted frame)	1
17	1547385	(Telescopic tube kit to footrest angle adjustable to adducted frame)	1
18	1547274	(Footplate sleeve Alu)	1

# (Configuration table for footrest angle adjustable mounted on adducted frame)

		Rear Wheel 24"		Rear Wheel 25"		Rear Wheel 26"			
Frame Aluminium Adducted 75° (311 mm)	SHv 48	UL29 -> UL36	UL37 -> UL45	SHv 49	UL29 -> UL36	UL37 -> UL46	SHv 50	UL29 -> UL36	UL37 -> UL47
	SHv 49	UL29 -> UL37	UL38 -> UL46	SHv 50	UL29 -> UL37	UL38 -> UL47	SHv 51	UL29 -> UL37	UL38 -> UL48
	SHv 50	UL29 -> UL38	UL39 -> UL47	SHv 51	UL29 -> UL38	UL39 -> UL48	SHv 52	UL29 -> UL38	UL39 -> UL49
Frame Aluminium Adducted 90° (336 mm)	SHv 48	UL29 -> UL36	UL39 -> UL44	SHv 49	UL29 -> UL36	UL39 -> UL45	SHv 50	UL29 -> UL36	UL39 -> UL46
	SHv 49	UL29 -> UL37	UL40 -> UL45	SHv 50	UL29 -> UL37	UL40 -> UL46	SHv 51	UL29 -> UL37	UL40 -> UL47
	SHv 50	UL29 -> UL38	UL41 -> UL46	SHv 51	UL29 -> UL38	UL41 -> UL47	SHv 52	UL29 -> UL38	UL41 -> UL48

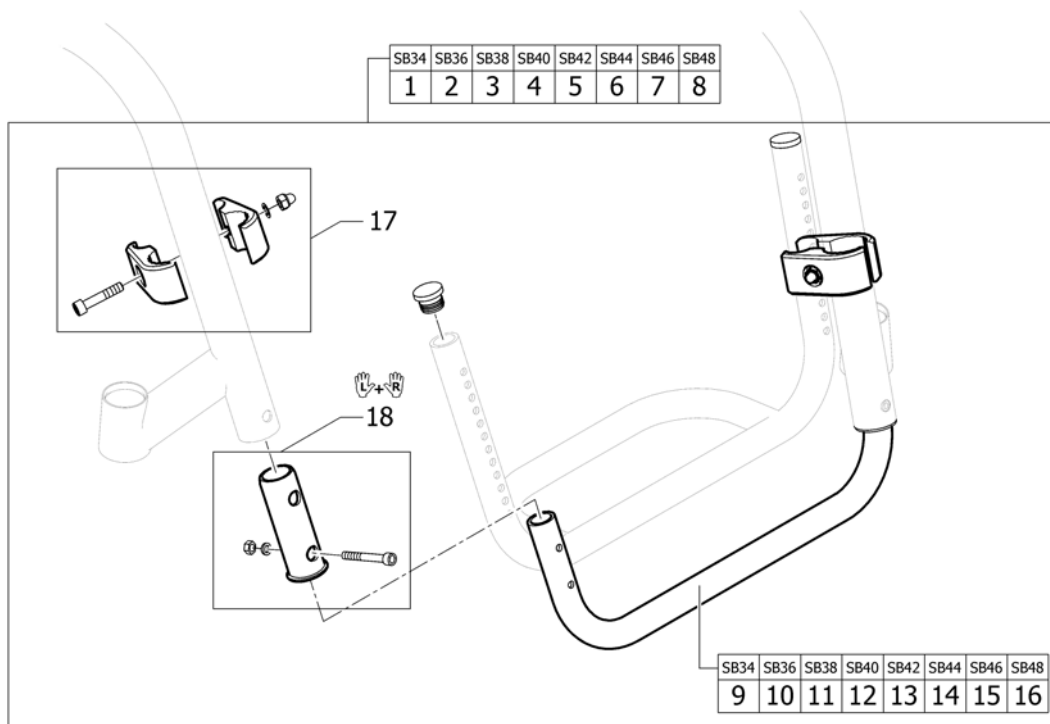


i -

(Knee to heel length (UL) in relationship to frame type, front seat height (SHv) and rear wheel size)

1

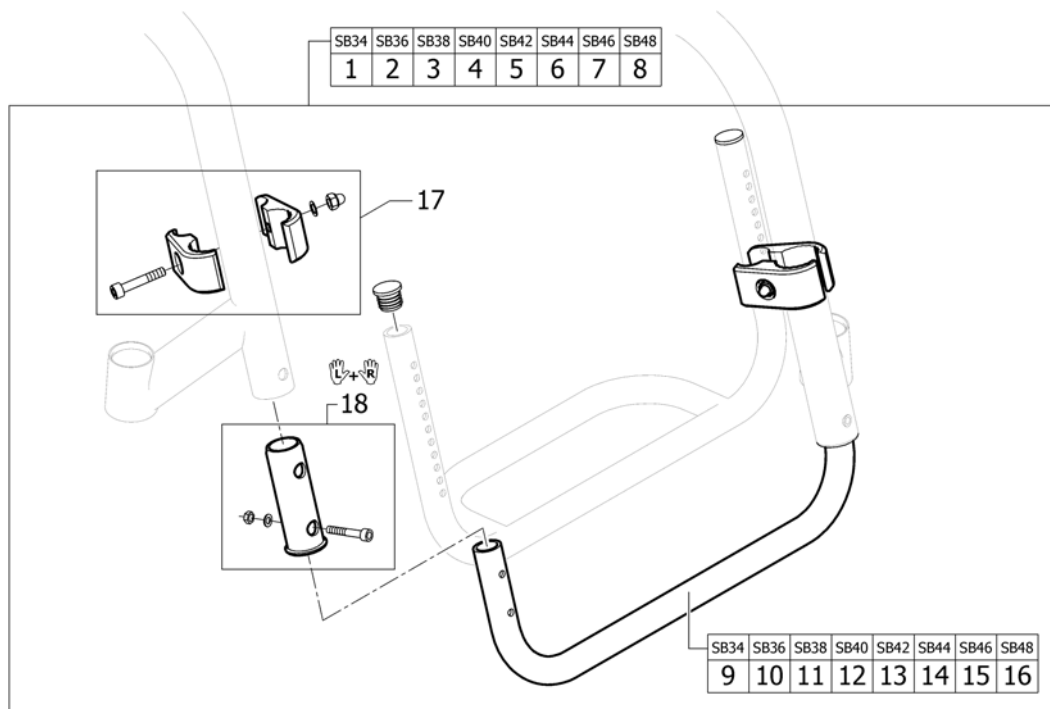
**(Footrest highmounted)**



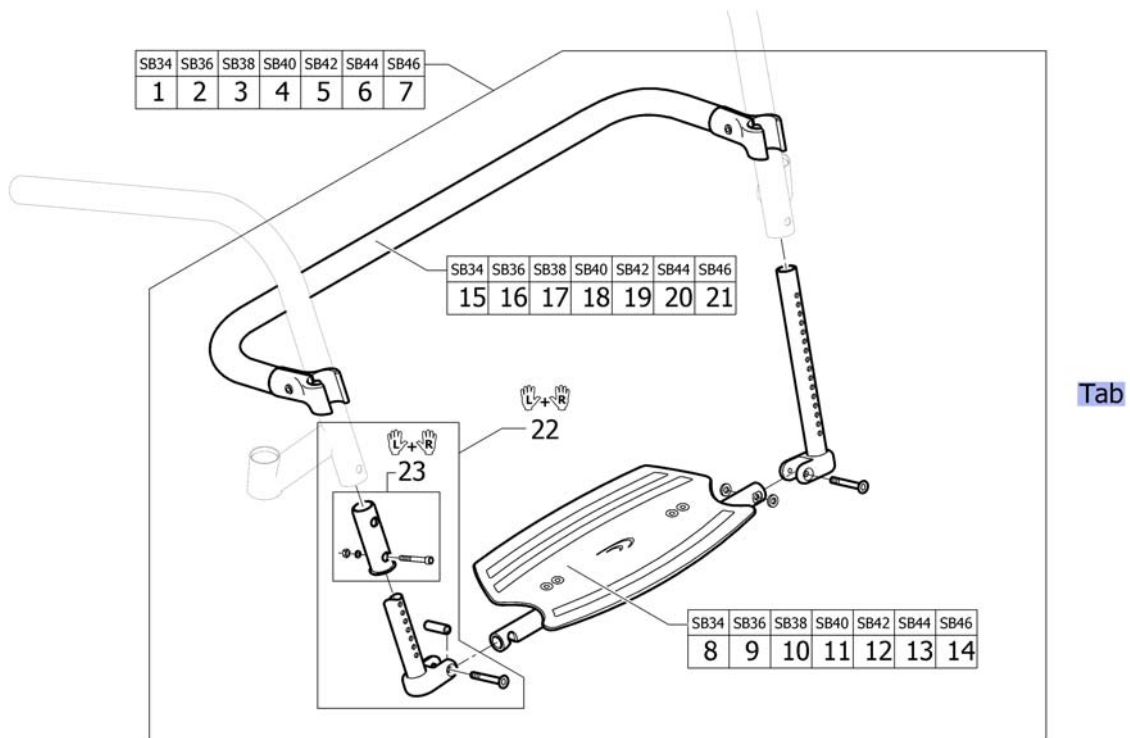
1	1547420	(Tube set for footrest, mounted in high position, SB34)	1
2	1547421	(Tube set for footrest, mounted in high position, SB36)	1
3	1547422	(Tube set for footrest, mounted in high position, SB38)	1
4	1547423	(Tube set for footrest, mounted in high position, SB40)	1
5	1547424	(Tube set for footrest, mounted in high position, SB42)	1
6	1547425	(Tube set for footrest, mounted in high position, SB44)	1
7	1547426	(Tube set for footrest, mounted in high position, SB46)	1
8	1547427	(Tube set for footrest, mounted in high position, SB48)	1
9	1547428	(Tube for footrest, mounted in high position, SB34)	1
10	1547429	(Tube for footrest, mounted in high position, SB36)	1
11	1547430	(Tube for footrest, mounted in high position, SB38)	1
12	1547431	(Tube for footrest, mounted in high position, SB40)	1
13	1547432	(Tube for footrest, mounted in high position, SB42)	1
14	1547433	(Tube for footrest, mounted in high position, SB44)	1
15	1547434	(Tube for footrest, mounted in high position, SB46)	1
16	1547435	(Tube for footrest, mounted in high position, SB48)	1
17	1495577	(Kit clamping pieces, footrest mounted in high position)	2
18	1547274	(Footplate sleeve Alu)	1



## (Footrest highmounted for adducted frame)



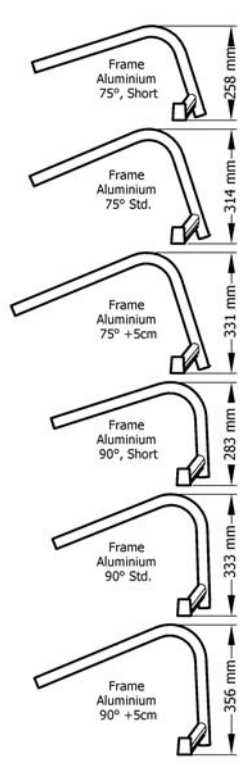
1	1547436	(Tube set for footrest, mounted in high position, SB34 for adducted frame)	1
2	1547437	(Tube set for footrest, mounted in high position, SB36 for adducted frame)	1
3	1547438	(Tube set for footrest, mounted in high position, SB38 for adducted frame)	1
4	1547439	(Tube set for footrest, mounted in high position, SB40 for adducted frame)	1
5	1547440	(Tube set for footrest, mounted in high position, SB42 for adducted frame)	1
6	1547441	(Tube set for footrest, mounted in high position, SB44 for adducted frame)	1
7	1547442	(Tube set for footrest, mounted in high position, SB46 for adducted frame)	1
8	1547443	(Tube set for footrest, mounted in high position, SB48 for adducted frame)	1
9	1547444	(Tube for footrest, mounted in high position, SB34 for adducted frame)	1
10	1547445	(Tube for footrest, mounted in high position, SB36 for adducted frame)	1
11	1547446	(Tube for footrest, mounted in high position, SB38 for adducted frame)	1
12	1547447	(Tube for footrest, mounted in high position, SB40 for adducted frame)	1
13	1547448	(Tube for footrest, mounted in high position, SB42 for adducted frame)	1
14	1547449	(Tube for footrest, mounted in high position, SB44 for adducted frame)	1
15	1547450	(Tube for footrest, mounted in high position, SB46 for adducted frame)	1
16	1547451	(Tube for footrest, mounted in high position, SB48 for adducted frame)	1
17	1495577	(Kit clamping pieces, footrest mounted in high position)	2
18	1547274	(Footplate sleeve Alu)	1



Tab

Tab	-	(Configuration table for footrest flip-to-side)	1
1	1547327	(Footrest flip-to-side SB34 complete)	1
2	1547328	(Footrest flip-to-side SB36 complete)	1
3	1547329	(Footrest flip-to-side SB38 complete)	1
4	1547330	(Footrest flip-to-side SB40 complete)	1
5	1547331	(Footrest flip-to-side SB42 complete)	1
6	1547332	(Footrest flip-to-side SB44 complete)	1
7	1547333	(Footrest flip-to-side SB46 complete)	1
8	1547336	(Footplate to footrest flip-to-side SB34)	1
9	1547337	(Footplate to footrest flip-to-side SB36)	1
10	1547338	(Footplate to footrest flip-to-side SB38)	1
11	1547339	(Footplate to footrest flip-to-side SB40)	1
12	1547340	(Footplate to footrest flip-to-side SB42)	1
13	1547341	(Footplate to footrest flip-to-side SB44)	1
14	1547342	(Footplate to footrest flip-to-side SB46)	1
15	1547344	(Reinforcement bar SB34 to Footrest flip to side)	1
16	1547345	(Reinforcement bar SB36 to Footrest flip to side)	1
17	1547346	(Reinforcement bar SB38 to Footrest flip to side)	1
18	1547347	(Reinforcement bar SB40 to Footrest flip to side)	1
19	1547348	(Reinforcement bar SB42 to Footrest flip to side)	1
20	1547349	(Reinforcement bar SB44 to Footrest flip to side)	1
21	1547350	(Reinforcement bar SB46 to Footrest flip to side)	1
22	1547335	(Telescopic tube kit to footrest flip-to-side)	1
23	1547274	(Footplate sleeve Alu)	1

# (Configuration table for footrest flip-to-side)



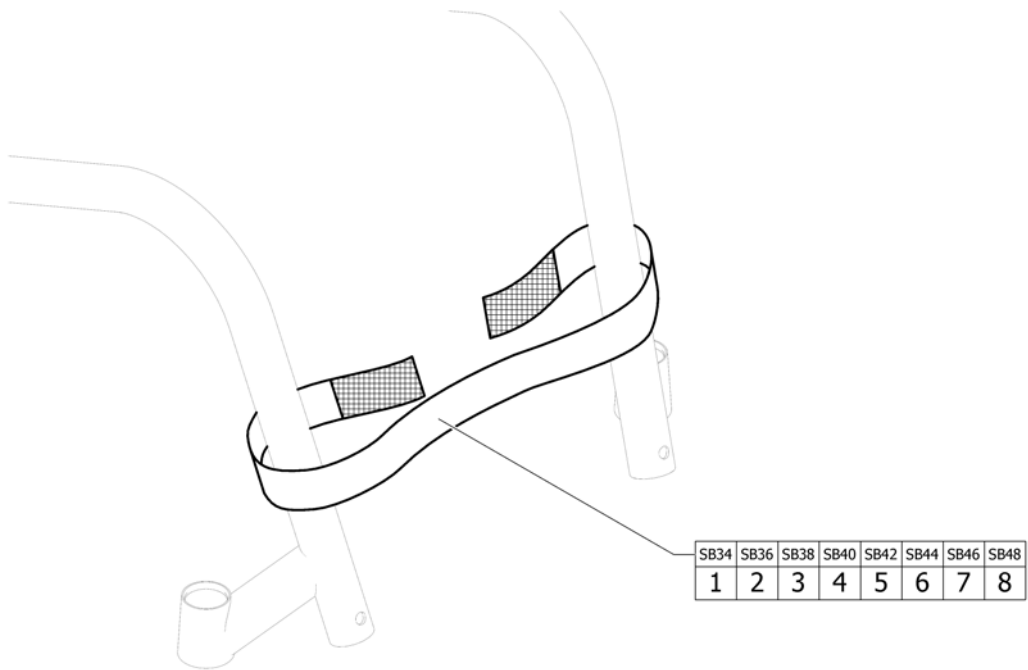
		Rear Wheel 24"		Rear Wheel 25"		Rear Wheel 26"	
Frame Aluminium 75° Short (258 mm)	SHv 45	UL29 -> UL42		SHv 46	UL29 -> UL43	SHv 47	UL29 -> UL44
	SHv 46	UL30 -> UL43		SHv 47	UL30 -> UL44	SHv 48	UL30 -> UL45
	SHv 47	UL31 -> UL44		SHv 48	UL31 -> UL45	SHv 49	UL31 -> UL46
Frame Aluminium 75° Std. (314 mm)	SHv 48	UL33 -> UL45		SHv 49	UL33 -> UL46	SHv 50	UL33 -> UL47
	SHv 49	UL34 -> UL46		SHv 50	UL34 -> UL47	SHv 51	UL34 -> UL48
	SHv 50	UL35 -> UL47		SHv 51	UL35 -> UL48	SHv 52	UL35 -> UL49
Frame Aluminium 75° +5cm (331 mm)	SHv 50	UL35 -> UL47		SHv 51	UL35 -> UL48	SHv 52	UL35 -> UL49
	SHv 51	UL36 -> UL48		SHv 52	UL36 -> UL49	SHv 53	UL36 -> UL50
	SHv 52	UL37 -> UL49		SHv 53	UL37 -> UL50	SHv 54	UL37 -> UL51
Frame Aluminium 90° Short (283 mm)	SHv 45	UL29 -> UL41		SHv 46	UL29 -> UL42	SHv 47	UL29 -> UL43
	SHv 46	UL30 -> UL42		SHv 47	UL30 -> UL43	SHv 48	UL30 -> UL44
	SHv 47	UL31 -> UL43		SHv 48	UL31 -> UL44	SHv 49	UL31 -> UL45
Frame Aluminium 90° Std. (333 mm)	SHv 48	UL33 -> UL44		SHv 49	UL33 -> UL45	SHv 50	UL33 -> UL46
	SHv 49	UL34 -> UL45		SHv 50	UL34 -> UL46	SHv 51	UL34 -> UL47
	SHv 50	UL35 -> UL46		SHv 51	UL35 -> UL47	SHv 52	UL35 -> UL48
Frame Aluminium 90° +5cm (356 mm)	SHv 50	UL36 -> UL46		SHv 51	UL36 -> UL47	SHv 52	UL36 -> UL48
	SHv 51	UL37 -> UL47		SHv 52	UL37 -> UL48	SHv 53	UL37 -> UL49
	SHv 52	UL38 -> UL48		SHv 53	UL38 -> UL49	SHv 54	UL38 -> UL50

i -

(Knee to heel length (UL) in relationship to frame type, front seat height (SHv) and rear wheel size)

1

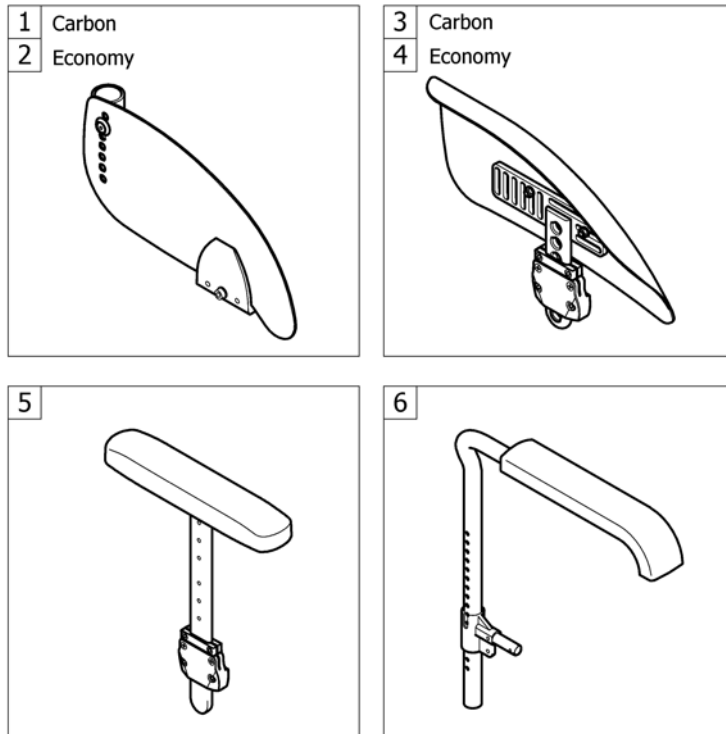
**(Calf strap)**




---

1	1547412	(Calf strap complete, SB34)	1
2	1547413	(Calf strap complete, SB36)	1
3	1547414	(Calf strap complete, SB38)	1
4	1547415	LEGGBÄND SB40 1 DEL K SERIEN	1
5	1547416	(Calf strap complete, SB42)	1
6	1547417	(Calf strap complete, SB44)	1
7	1547418	(Calf strap complete, SB46)	1
8	1547419	(Calf strap complete, SB48)	1

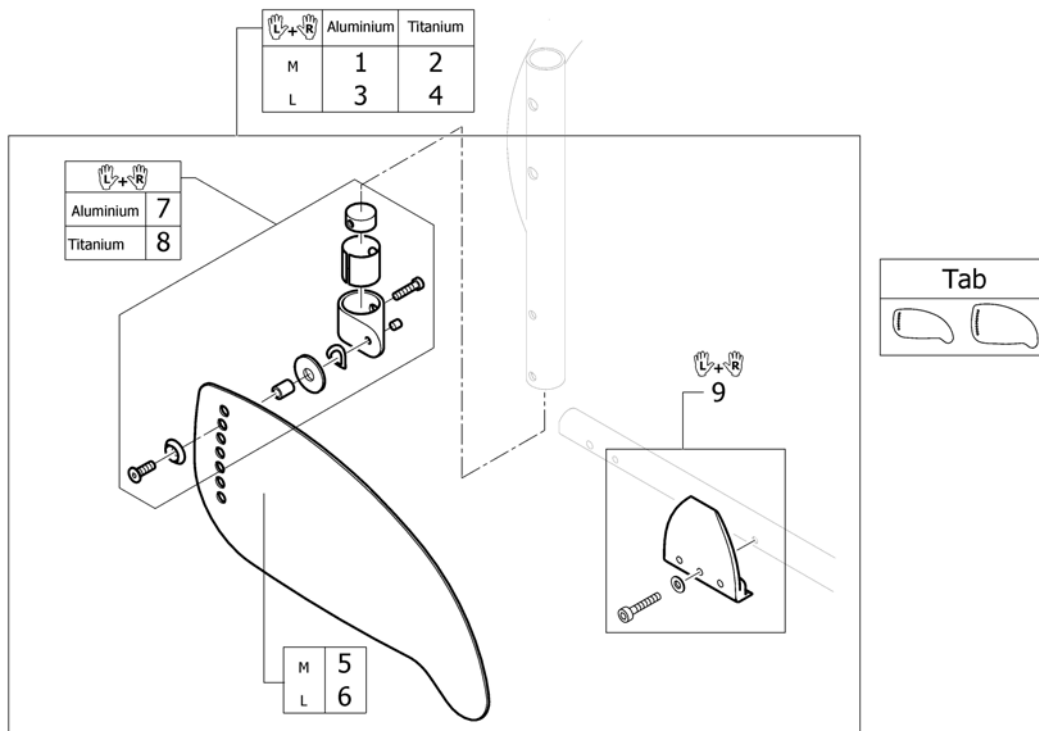
# Armlen




---

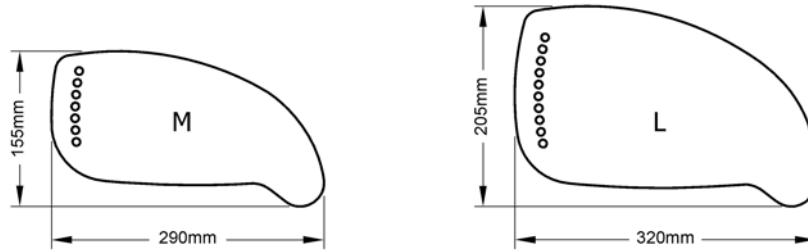
1	-	(Clothes-guards carbon)	1
2	-	(Clothes-guards economy)	1
3	-	(Mudguards carbon)	1
4	-	(Mudguards economy)	1
5	-	(Siderest height adjustable)	1
6	-	(Tubular armrest)	1

# (Clothes-guards carbon)



Tab	-	(Configuration table clothes-guard carbon)	1
1	1547457	(Clothes-guards carbon M with fixation kit to backrest Aluminium, pair)	1
2	1547459	KLESBESKYTTER CARBON M K-SERIEN PAR INKL FESTE	1
3	1547458	(Clothes-guards carbon L with fixation kit to backrest Aluminium, pair)	1
4	1547460	(Clothes-guards carbon L with fixation kit to backrest Titan, pair)	1
5	1547461	(Clothes-guard carbon M)	1
6	1547462	KLESBESKYTTER KARBON L PAR	1
7	1547452	FESTEKIT KLESBESKYTTER HJULSKJERM K-SERIEN	1
8	1547453	(Fixation kit clothes-guard carbon to backrest Titanium)	1
9	1547456	FESTEKIT KLESBESKYTTER K-SERIEN, PAR	1

## (Configuration table clothes-guard carbon)

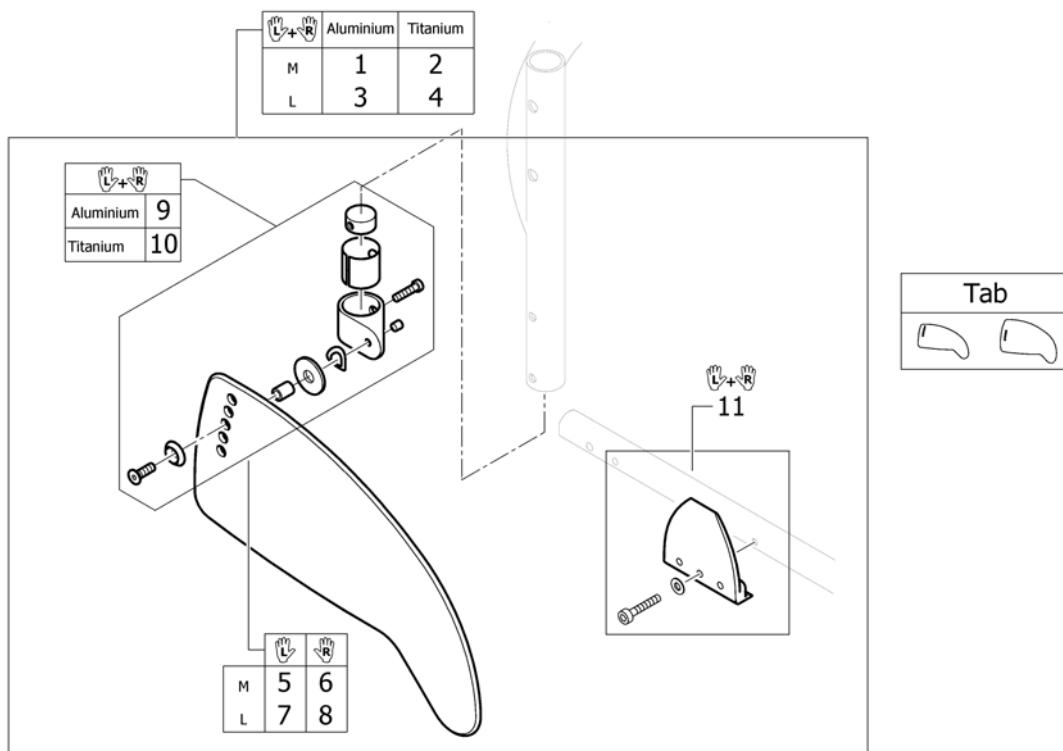


	Rear wheel		
	24"	25"	26"
Rear SH 38cm	L	-	-
Rear SH 39cm	L	L	-
Rear SH 40cm	L	L	L
Rear SH 41cm	L	L	L
Rear SH 42cm	L	L	L
Rear SH 43cm	L	L	L
Rear SH 44cm	L	L	L
Rear SH 45cm	L	L	L
Rear SH 46cm	M	L	L
Rear SH 47cm	M	M	L
Rear SH 48cm	M	M	L
Rear SH 49cm	M	M	L

---

M	-	(Clothes-guard Size M)	1
L	-	(Clothes-guard Size L)	1

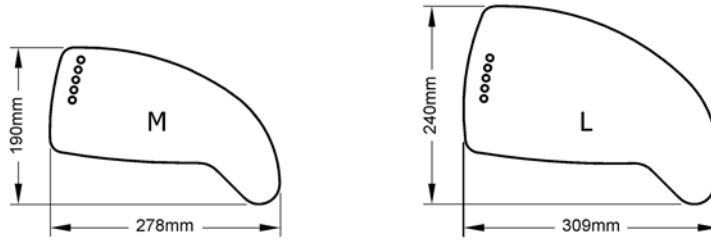
## (Clothes-guards economy)



Tab	-	(Configuration table clothes-guard economy)	1
1	1547463	KLESBESKYTTER ØKONOMI M K-SERIEN PAR INKL FESTE	1
2	1547465	(Clothes-guards economy M with fixation kit to backrest Titan, pair)	1
3	1547464	KLESBESKYTTER ØKONOMI L K-SERIEN PAR INKL FESTE	1
4	1547466	(Clothes-guards economy L with fixation kit to backrest Titan, pair)	1
5	1547467	(Clothes-guard economy M left)	1
6	1547469	(Clothes-guard economy M right)	1
7	1547468	(Clothes-guard economy L left)	1
8	1547470	(Clothes-guard economy L right)	1
9	1547454	(Fixation kit clothes-guard economy to backrest Aluminium)	1
10	1547455	(Fixation kit clothes-guard economy to backrest Titanium)	1
11	1547456	FESTEKIT KLESBESKYTTER K-SERIEN, PAR	1



## (Configuration table clothes-guard economy)

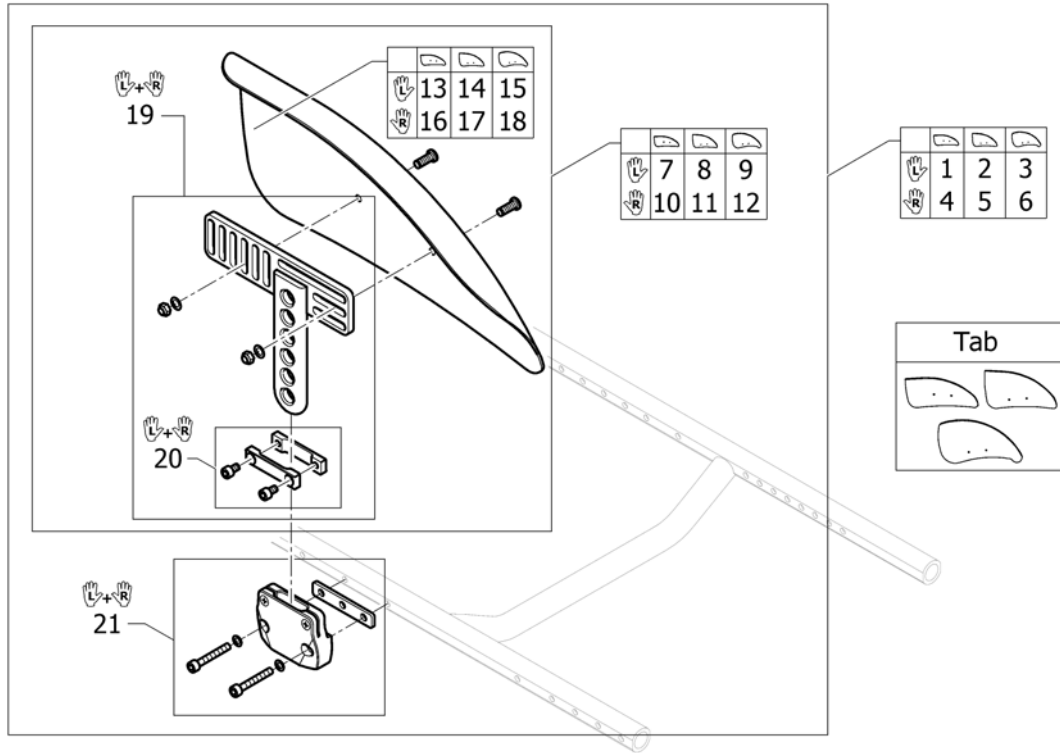


	Rear wheel		
	24"	25"	26"
Rear SH 38cm	L	-	-
Rear SH 39cm	L	L	-
Rear SH 40cm	L	L	L
Rear SH 41cm	L	L	L
Rear SH 42cm	L	L	L
Rear SH 43cm	L	L	L
Rear SH 44cm	L	L	L
Rear SH 45cm	L	L	L
Rear SH 46cm	M	L	L
Rear SH 47cm	M	M	L
Rear SH 48cm	M	M	L
Rear SH 49cm	M	M	L

---

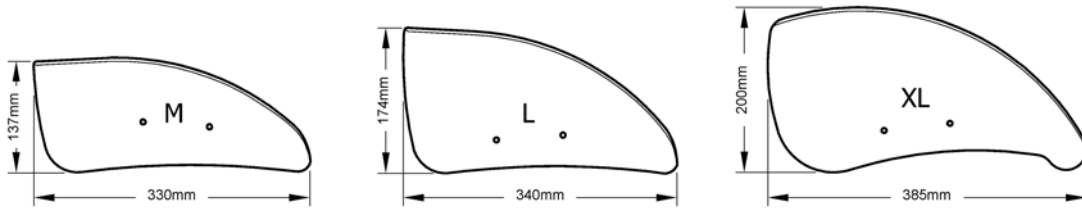
M	-	(Clothes-guard Size M)	1
L	-	(Clothes-guard Size L)	1

**(Mudguards carbon)**



Tab	-	(Configuration and size table mudguards carbon)	1
1	1547471	(Mudguard carbon left M short complete)	1
2	1547472	(Mudguard carbon left L short complete)	1
3	1553139	(Mudguard carbon left XL short complete)	1
4	1547475	(Mudguard carbon right M short complete)	1
5	1547476	(Mudguard carbon right L short complete)	1
6	1553140	(Mudguard carbon right XL short complete)	1
7	1547479	(Mudguard carbon left M short)	1
8	1547480	(Mudguard carbon left L short)	1
9	1553158	(Mudguard carbon left XL short)	1
10	1547483	(Mudguard carbon right M short)	1
11	1547484	(Mudguard carbon right L short)	1
12	1553203	(Mudguard carbon right XL short)	1
13	1547533	(Mudguard carbon left M)	1
14	1547534	(Mudguard carbon left L)	1
15	1553137	(Mudguard carbon left XL)	1
16	1547535	(Mudguard carbon right M)	1
17	1547536	(Mudguard carbon right L)	1
18	1553138	(Mudguard carbon right XL)	1
19	1547488	(Mudguard carbon holder short, pair)	1
20	1547537	(Siderests height clamp kit, pair)	1
21	1547487	(Fixationset mudguard frame)	1

## (Configuration and size table mudguards carbon)

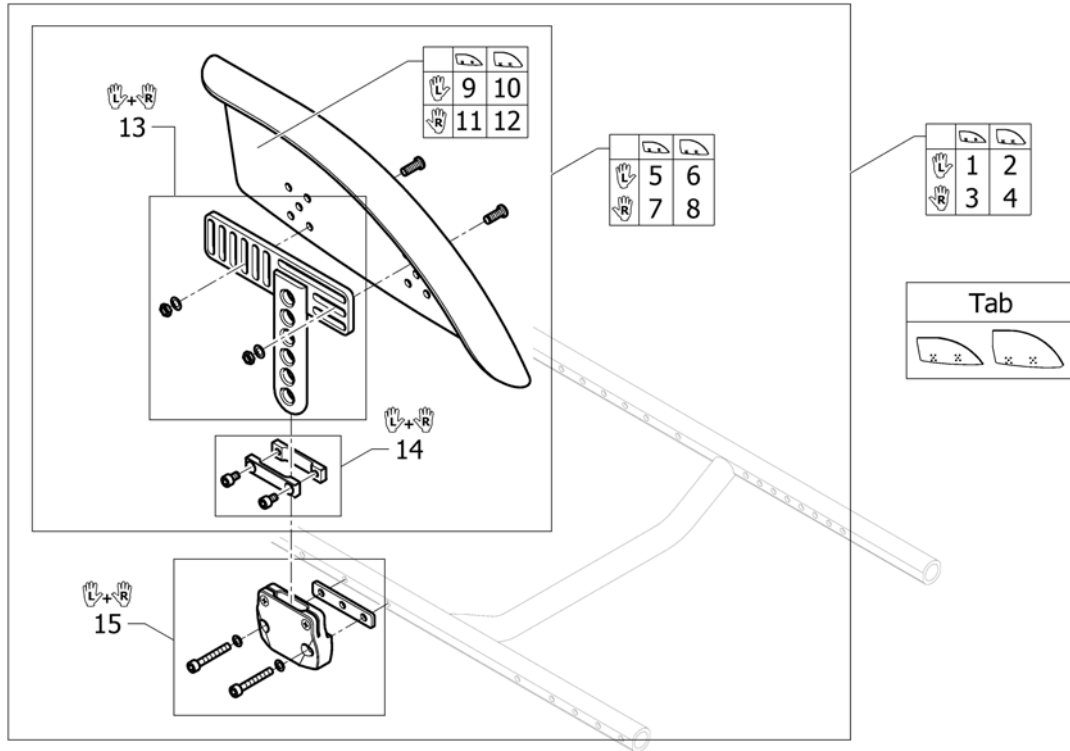


	Rear wheel		
	24"	25"	26"
Rear SH 38cm	XL	-	-
Rear SH 39cm	XL	XL	-
Rear SH 40cm	L	XL	XL
Rear SH 41cm	L	L	XL
Rear SH 42cm	L	L	L
Rear SH 43cm	L	L	L
Rear SH 44cm	L	L	L
Rear SH 45cm	M	L	L
Rear SH 46cm	M	L	L
Rear SH 47cm	M	M	L
Rear SH 48cm	M	M	L
Rear SH 49cm	M	M	L

---

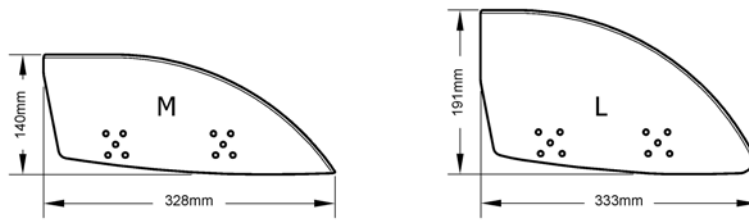
M	-	(Mudguard carbon Size M)	1
L	-	(Mudguard carbon Size L)	1
XL	-	(Mudguard carbon Size XL)	1

**(Mudguards economy)**



Tab	-	(Configuration table mudguards Economy)	1
1	1547538	(Mudguard Economy left M short complete)	1
2	1547539	(Mudguard Economy left L short complete)	1
3	1547542	(Mudguard Economy right M short complete)	1
4	1547543	(Mudguard Economy right L short complete)	1
5	1547546	(Mudguard Economy left M short)	1
6	1547547	(Mudguard Economy left L short)	1
7	1547550	(Mudguard Economy right M short)	1
8	1547551	(Mudguard Economy right L short)	1
9	1547556	(Mudguard Economy left M)	1
10	1547578	(Mudguard Economy left L)	1
11	1547579	(Mudguard Economy right M)	1
12	1547580	(Mudguard Economy right L)	1
13	1547554	(Mudguard Economy holder short, pair)	1
14	1547537	(Siderests height clamp kit, pair)	1
15	1547487	(Fixationset mudguard frame)	1

## (Configuration table mudguards Economy)

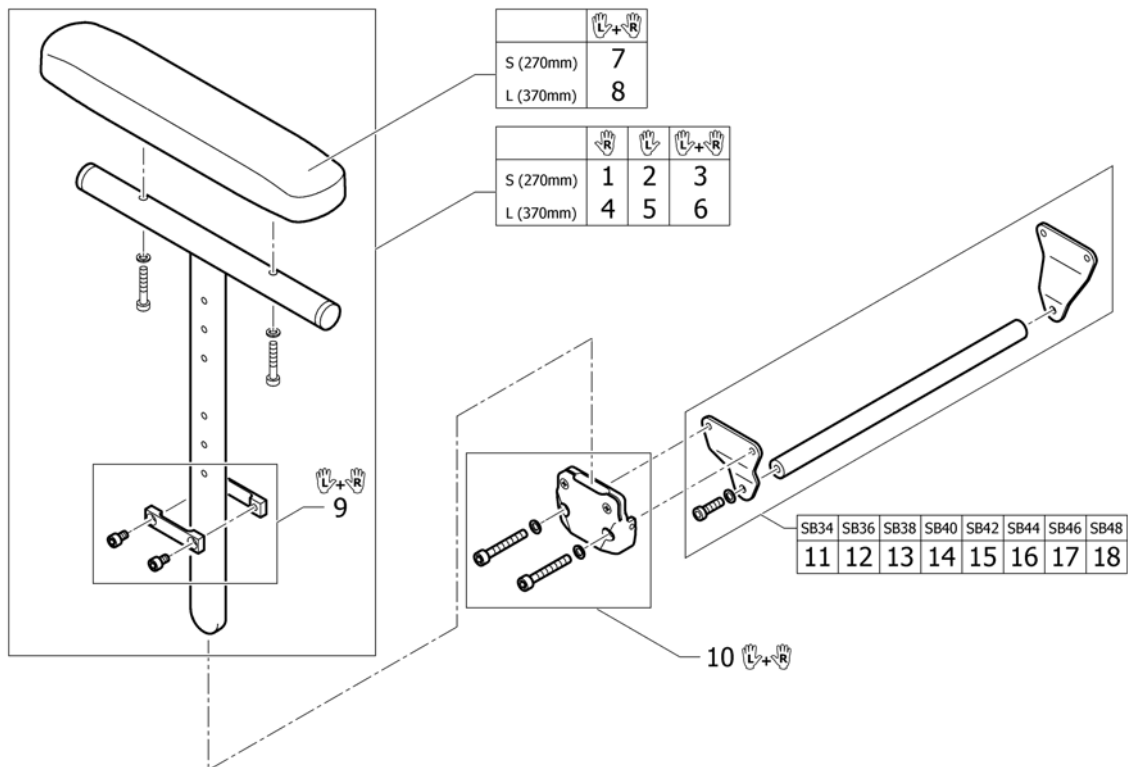


	Rear wheel		
	24"	25"	26"
Rear SH 38cm	L	-	-
Rear SH 39cm	L	L	-
Rear SH 40cm	L	L	L
Rear SH 41cm	L	L	L
Rear SH 42cm	L	L	L
Rear SH 43cm	L	L	L
Rear SH 44cm	M	M	L
Rear SH 45cm	M	M	L
Rear SH 46cm	M	M	M
Rear SH 47cm	M	M	M
Rear SH 48cm	M	M	M
Rear SH 49cm	M	M	M

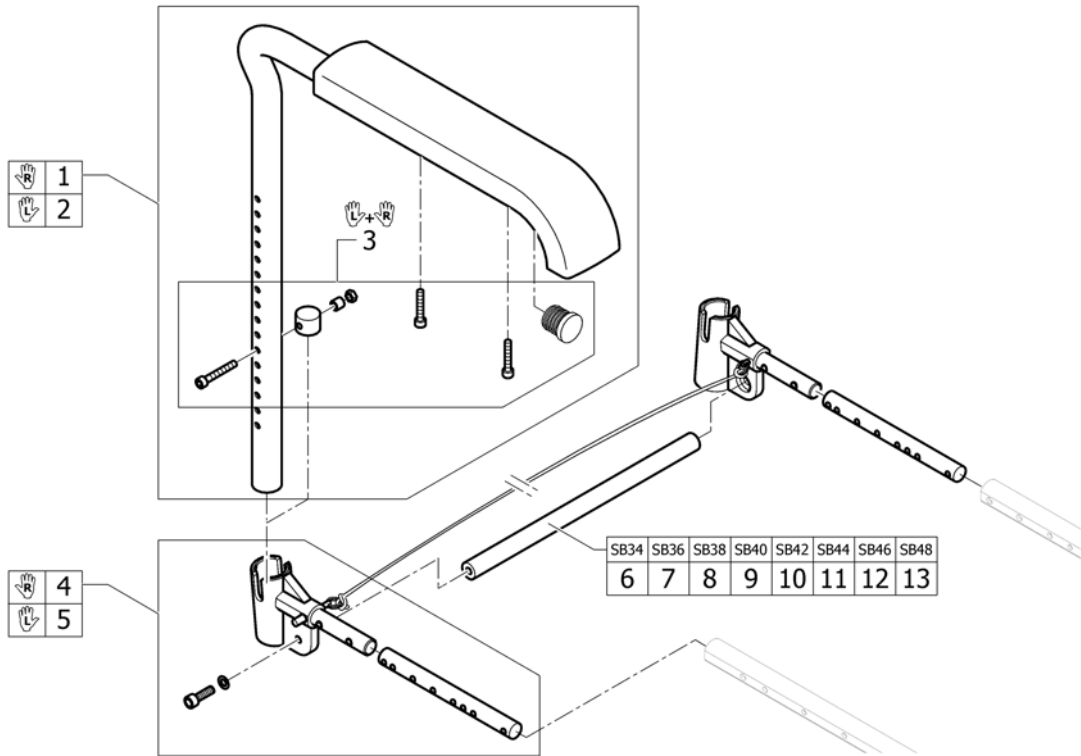
---

M	-	(Mudguard Economy Size M)	1
L	-	(Mudguard Economy Size L)	1

**(Siderest height adjustable)**

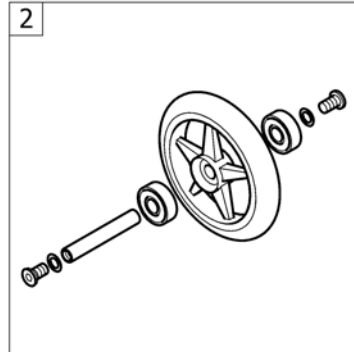
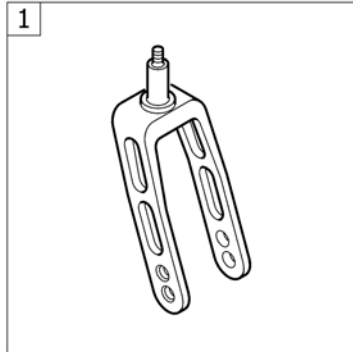


1	1517677	ARMLEN KORT HREG HØ CO UL 1.4.8->	1
2	1517678	ARMLEN KORT HREG VE CO UL	1
3	1517682	ARMLENE REG KORT PAR	1
4	1517679	ARMLEN HREG HØ LANGT POLSTER CO UL FU 1.4.8->	1
5	1517680	ARMLEN HREG VE LANGT POLSTER CO UL FU 1.4.8->	1
6	1517683	ARMLEN LONG HREG PAR	1
7	1439497	ARMLENSPOLSTER KORT 27 C CO UL 2004 -> PAR	1
8	1439498	ARMLENSPOLSTER LANG CO UL 2004-> PAR 36CM.	1
9	1547537	(Siderests height clamp kit, pair)	1
10	1505391	HOLDER ARMLEN TIL RAMME PAR KUSCHALL K OG RS33	1
11	1547602	(Bracket kit for siderest SB34)	1
12	1547603	BRACKETT KIT ARMLEN SB36 K4-G3	1
13	1547604	(Bracket kit for siderest SB38)	1
14	1547605	(Bracket kit for siderest SB40)	1
15	1547606	(Bracket kit for siderest SB42)	1
16	1547607	(Bracket kit for siderest SB44)	1
17	1547608	(Bracket kit for siderest SB46)	1
18	1547609	(Bracket kit for siderest SB48)	1



1	913.1012	ARMLÉN RØRET M/PADS L HØ SPORTKUSCHALLALLE	1
2	913.1013	ARMLÉN RØRET M/PADS L VE SPORTKUSCHALLALLE	1
3	1547610	(Boltset Armrest)	1
4	1547611	(Armrest adapter right incl. Fixation and cord)	1
5	1547612	(Armrest adapter left incl. Fixation and cord)	1
6	1547613	(Connection tube for armrest SB34)	1
7	1547614	(Connection tube for armrest SB36)	1
8	1547615	(Connection tube for armrest SB38)	1
9	1547616	(Connection tube for armrest SB40)	1
10	1547617	(Connection tube for armrest SB42)	1
11	1547618	(Connection tube for armrest SB44)	1
12	1547619	(Connection tube for armrest SB46)	1
13	1547620	(Connection tube for armrest SB48)	1

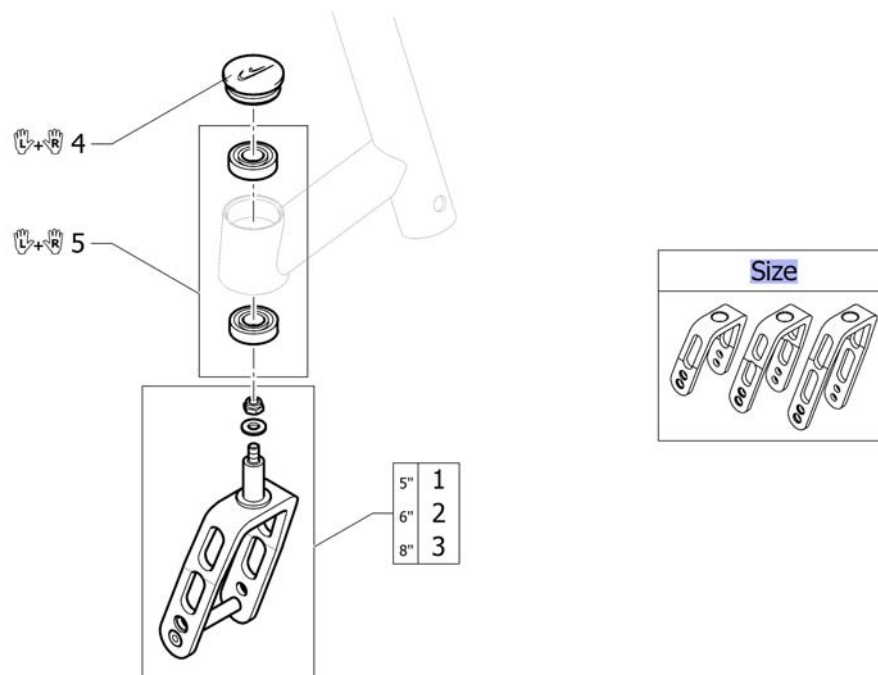
# Svinghjul



---

1	-	(Front forks standard)	1
2	-	(Front wheels)	1



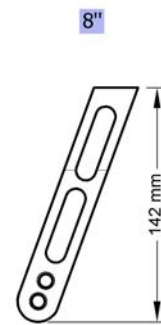
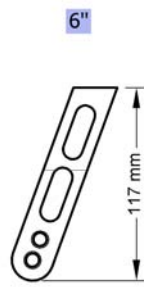


Size	-	(Configuration table for front fork size)		0
1	1432004-0004	GAFFEL 5 SVART KOMPLETT K-4 AIRLITE		2
1	1432004-0001	(Front fork 5" with bolt, chrome)	01.01.2013 →	2
1	1432004-0182	(Front fork 5" with bolt, champagne)	01.01.2013 →	2
1	1432004-0183	(Front fork 5" with bolt, olive)		2
1	1432004-0400	GAFFEL 5 ANTRASITT KPL FUSION CHAMPION 2003	01.11.2010 → 31.12.2012	2
1	1432004-0401	GAFFEL 5 BOLT SITRON	01.11.2010 → 31.12.2012	2
1	1432004-0402	GAFFEL 5 APRICOT KOMPLETT CHAMPION		2
1	1432004-0404	GAFFEL 5 BLÅ KOMPLETT CHAMPION/K-SERIEN 2003->		2
1	1432004-0440	GAFFEL 5 BOLT COMET		2
1	1432004-0441	(Front fork 5" with bolt, arctic blue)		2
1	1432004-0444	(Front fork 5" with bolt, copper glaze)		2
2	1432005-0004	GAFFEL 6 SVART KPL CHAMP COMP/ULTRALIGHT 2003		2
2	1432005-0001	(Front fork 6" with bolt, chrome)	01.01.2013 →	2
2	1432005-0182	(Front fork 6" with bolt, champagne)	01.01.2013 →	2
2	1432005-0183	(Front fork 6" with bolt, olive)		2
2	1432005-0400	GAFFEL 6 ANTRASITT KPL FUSION CHAMPION 2003	01.11.2010 → 31.12.2012	2
2	1432005-0401	GAFFEL 6 BOLT SITRON	01.11.2010 → 31.12.2012	2
2	1432005-0402	(Front fork 6" with bolt, apricot)		2
2	1432005-0404	GAFFEL 6 BOLT B-BLÅ		2
2	1432005-0440	GAFFEL 6 COMET RED KOMPLETT COMP/ULTR		2
2	1432005-0441	(Front fork 6" with bolt, arctic blue)		2
2	1432005-0444	GAFFEL 6 COPPER GLAZE KOMPLETT COMP/ULTR		2
3	1432006-0004	GAFFEL 8 SVART KOMPLETT FUSION K4		2
3	1432006-0001	(Front fork 8" with bolt, chrome)	01.01.2013 →	2
3	1432006-0182	(Front fork 8" with bolt, champagne)	01.01.2013 →	2
3	1432006-0183	(Front fork 8" with bolt, olive)		2
3	1432006-0400	GAFFEL 8 ANTRASITT KPL	01.11.2010 → 31.12.2012	2

**(Front forks standard)**

3	1432006-0401	GAFFEL 8 BOLT SITRON	01.11.2010 → 31.12.2012	2
3	1432006-0402	(Front fork 8" with bolt, apricot)		2
3	1432006-0404	GAFFEL 8 BOLT B-BLÅ		2
3	1432006-0440	GAFFEL 8 BOLT COMET		2
3	1432006-0441	(Front fork 8" with bolt, arctic blue)		2
3	1432006-0444	GAFFEL 8 COPPER GLAZE KOMPLETT KUSCHALL		2
4	1487961-0004	STØVKAPPE GAFFELHUS SORT KUSCHALL K4 PAR		1
4	1487961-0001	(Bearing block cap pair, chrome)	01.01.2013 →	1
4	1487961-0182	(Bearing block cap pair, champagne)	01.01.2013 →	1
4	1487961-0183	(Bearing block cap pair, olive)		1
4	1487961-0400	(Bearing block cap pair, techno-anthrazit)	01.11.2010 → 31.12.2012	1
4	1487961-0401	(Bearing block cap pair, lemon)	01.11.2010 → 31.12.2012	1
4	1487961-0402	(Bearing block cap pair, apricot)		1
4	1487961-0404	STØVKAPPE GAFFELHUS BLÅ KUSCHALL K4 PAR		1
4	1487961-0440	(Bearing block cap pair, comet red)		1
4	1487961-0441	(Bearing block cap pair, arctic blue)		1
4	1487961-0444	(Bearing block cap, pair, copper glaze)		1
5	1451718	KULELAGER KO5 KUSCHALL		1

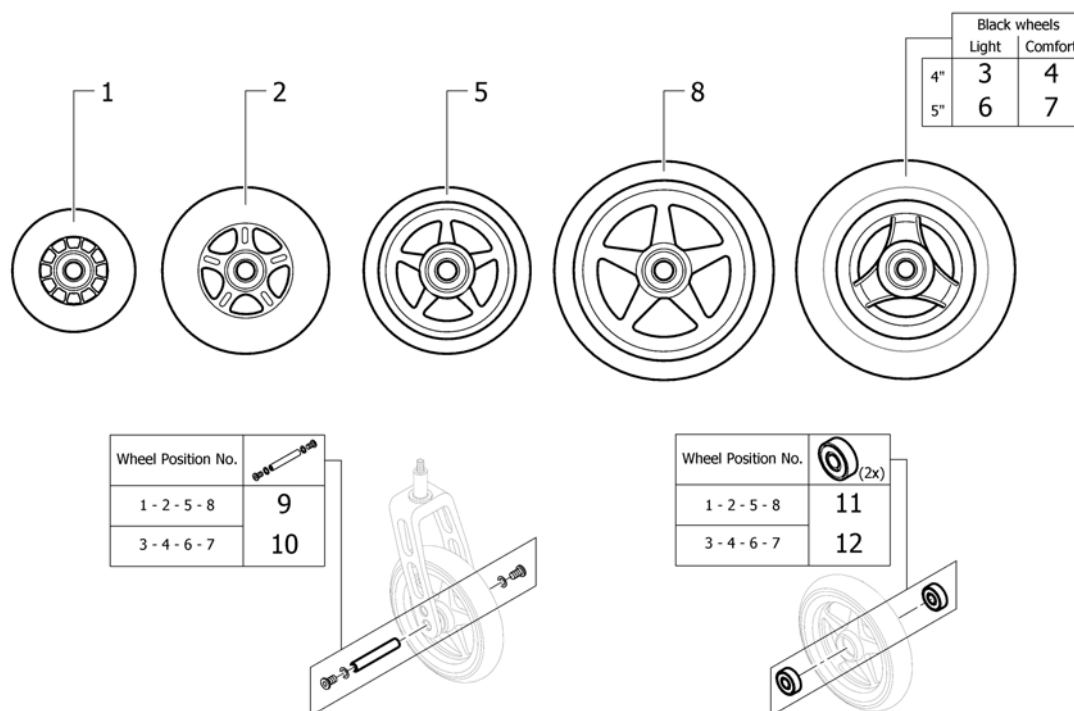
**(Configuration table for front fork size)**




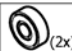

---

5"	-	(Front fork, Size 5")	0
6"	-	(Front fork, Size 6")	0
8"	-	(Front fork, Size 8")	0

## (Front wheels)



Wheel Position No.	
1 - 2 - 5 - 8	9
3 - 4 - 6 - 7	10

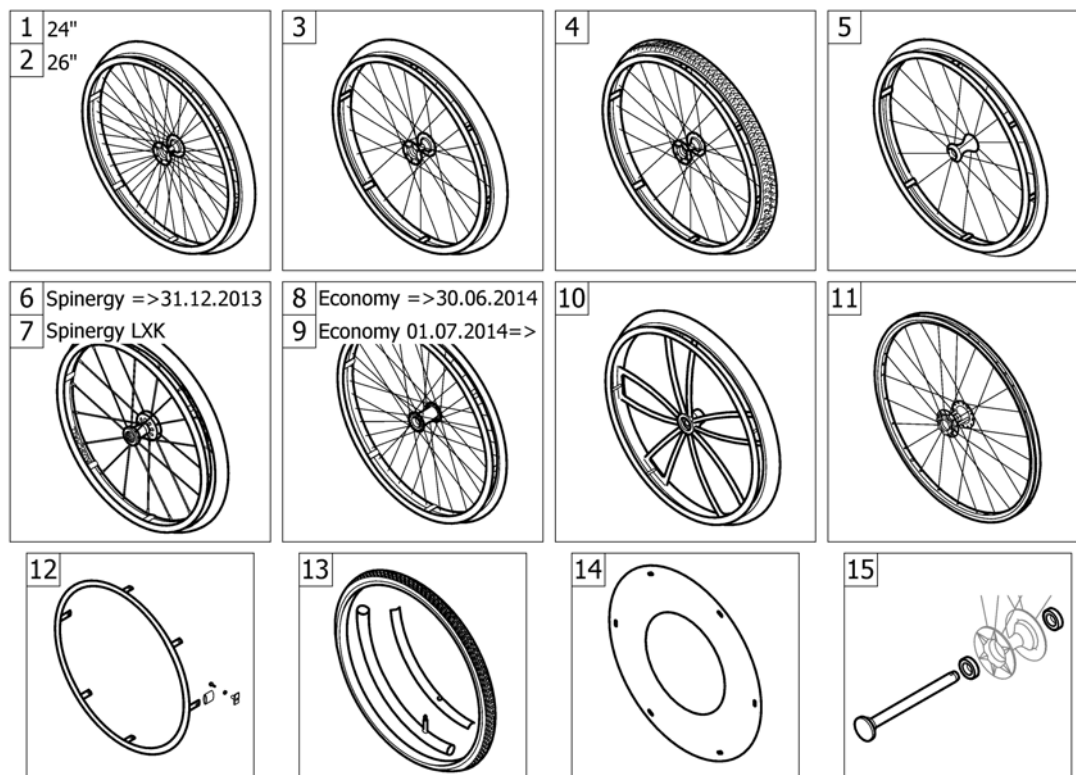
Wheel Position No.	 (2x)
1 - 2 - 5 - 8	11
3 - 4 - 6 - 7	12

1	1513180	SVINGHJUL 3 KPL PLUS AKSLING 1420972		2
2	1513181	SVINGHJUL 4 SKATER TRANS PARENT		2
3	1562626	SVINGHJUL 4 EVERYDAY 3 EIKER SORT <i>Replaces 1513182</i>	01.07.2012 →	2
4	1561139	(4" Comfort wheel, black)	01.07.2012 →	2
5	1513183-0004	(4" Starec wheel, black anodized) <i>Replaces 1513183-0408</i>		2
5	1513183-0001	(4" Starec wheel, chrome)		2
5	1513183-0182	(4" Starec wheel, champagne)	01.01.2013 →	2
5	1513183-0183	(4" Starec wheel, olive)	01.01.2013 →	2
5	1513183-0400	SVINGHJUL 4 STAREC TECHNO-ANTHRACITE		2
5	1513183-0401	SVINGHJUL 4 STAREC LEMON KUSCHALL	01.11.2010 → 31.12.2012	2
5	1513183-0402	(4" Starec wheel, apricot)	01.11.2010 → 31.12.2012	2
5	1513183-0404	SVINGHJUL 4 STAREC B-BLÅ KUSCHALL		2
5	1513183-0440	SVINGHJUL 4 STAREC COMET RØD		2
5	1513183-0441	(4" Starec wheel, arctic blue)		2
5	1513183-0444	SVINGHJUL 4 STAREC KOBBER.		2
6	1562627	SVINGHJUL 5 EVERYDAY 3 EIKER SORT <i>Replaces 1513185</i>	01.07.2012 →	2
7	1542640	SVINGHJUL 5 SORT 4 CM KUSCHALL COMFORT <i>Replaces 1513186</i>	01.01.2011 →	2
8	1513187-0004	(5" Starec wheel, black anodized)		2
8	1513187-0001	(5" Starec wheel, chrome)		2
8	1513187-0182	(5" Starec wheel, champagne)	01.01.2013 →	2
8	1513187-0183	(5" Starec wheel, olive)	01.01.2013 →	2
8	1513187-0400	SVINGHJUL 5 STAREC KUSCHALL TECHNO-ANTRACIT		2
8	1513187-0401	SVINGHJUL 5 STAREC LEMON KUSCHALL	01.11.2010 → 31.12.2012	2
8	1513187-0402	SVINGHJUL 5 STAREC KUSCHALL APRIKOS	01.11.2010 → 31.12.2012	2
8	1513187-0404	SVINGHJUL 5 STAREC KUSCHALL B-BLUE		2

---

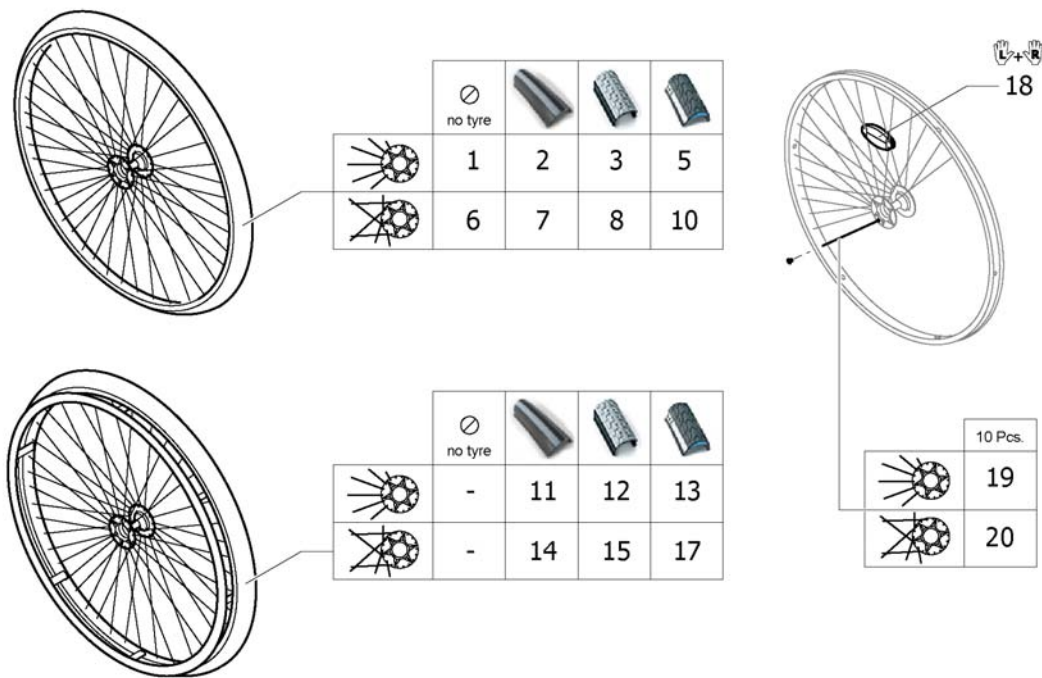
8	1513187-0440	SVINGHJUL 5 STAREC COMET RØD	2
8	1513187-0441	SVINGHJUL 5" STAREC ARCTIC BLÅ	2
8	1513187-0444	SVINGHJUL 5 STAREC KUSCHALL COPPER-GLAZE	2
9	1420972	AKSLINGSETT KPL STAREC/SKATE HJUL	2
10	1570108	AKSELSETT SVINGHJUL U DISTANSESKIVER	2
11	1570104	KULELAGER 8/22X7 KUSCHALL	2
12	1570105	KULELAGER PAR KUSCHALL 6000-2RS	2

# Drivhjul



1	-	(24" Küschall rear wheels complete)		1
2	-	(26" Küschall rear wheels complete)		1
3	-	(High Performance wheel)		1
4	-	(Mountainbike wheel)		1
5	-	(Ultra-light fibre wheel)	01.11.2010 → 31.12.2013	1
6	-	(Spinerger wheel)	01.11.2010 → 31.12.2013	1
7	-	(Spinerger LXX wheel)	01.01.2014 →	1
9	-	(Economy wheel 01.07.2014=>)	01.07.2014 →	1
10	-	(Spider wheel)	01.11.2010 → 31.12.2012	1
11	-	(Hub brake wheel)	01.07.2013 →	1
12	-	(Handrim)		1
13	-	(Tyre)		1
14	-	(Spokes guard)		1
15	-	(Quick release axle and bearing)		1

## (24" Küschall rear wheels complete)



1	1567103-0407	(Rear wheel 24" Starec R, colourless, without handrim, without tyre) <i>Replaces 904.1082</i>	01.11.2010 → 31.12.2014	2
1	1567103-0001	(Rear wheel 24" Starec R, chrome, without handrim, without tyre) <i>Replaces 904.1082-0001</i>	01.11.2010 → 31.12.2014	2
1	1567103-0182	(Rear wheel 24" Starec R, champagne, without handrim, without tyre)	01.01.2013 → 31.12.2014	2
1	1567103-0183	(Rear wheel 24" Starec R, olive, without handrim, without tyre)	01.01.2013 → 31.12.2014	2
1	1567103-0400	(Rear wheel 24" Starec R, tecno, without handrim, without tyre) <i>Replaces 904.1082.950</i>	01.11.2010 → 31.12.2014	2
1	1567103-0401	(Rear wheel 24" Starec R, lemon, without handrim, without tyre) <i>Replaces 904.1082.951</i>	01.11.2010 → 31.12.2012	2
1	1567103-0402	(Rear wheel 24" Starec R, apricot, without handrim, without tyre) <i>Replaces 904.1082.954</i>	01.11.2010 → 31.12.2012	2
1	1567103-0404	(Rear wheel 24" Starec R, b-blue, without handrim, without tyre) <i>Replaces 904.1082.957</i>	01.11.2010 → 31.12.2014	2
1	1567103-0440	(Rear wheel 24" Starec R, comet red, without handrim, without tyre) <i>Replaces 904.1082-0440</i>	01.11.2010 → 31.12.2014	2
1	1567103-0441	(Rear wheel 24" Starec R, arctic blue, without handrim, without tyre) <i>Replaces 904.1082-0441</i>	01.11.2010 → 31.12.2014	2
1	1567103-0444	DRIVHJUL 24 STAREC RADIA KOBBER UTEN DRIVR DEKK <i>Replaces 904.1082-0444</i>	01.11.2010 → 31.12.2014	2
2	SP1601744	(Rear wheel 24", Starec hub R, without handrim, Rightrun black/grey) <i>Replaces 904.1161</i>	01.11.2010 → 31.12.2014	2
3	904.1160	DRIVHJUL 24 STAREC NAV U TEN DRIVR TREAD	01.11.2010 → 31.12.2014	2
5	1554397-0407	(Rear wheel 24", Starec R, colourless, without handrim, marathon evolution)	01.11.2010 → 31.12.2014	2

**(24" Küschall rear wheels complete)**

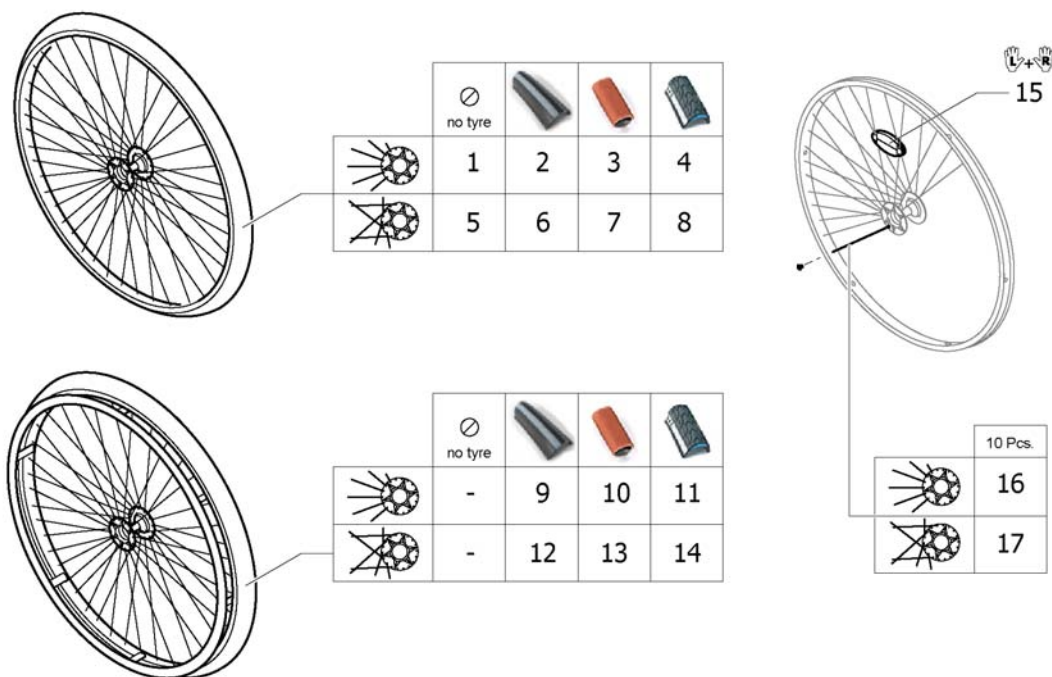
5	1554397-0001	(Rear wheel 24" Starec R, chrome, without handrim, marathon evolution)	01.11.2010 → 31.12.2014	2
5	1554397-0182	(Rear wheel 24" Starec R, champagne, without handrim, marathon evolution)	01.01.2013 → 31.12.2014	2
5	1554397-0183	(Rear wheel 24" Starec R, olive, without handrim, marathon evolution)	01.01.2013 → 31.12.2014	2
5	1554397-0400	(Rear wheel 24" Starec R, tecno, without handrim, marathon evolution)	01.11.2010 → 31.12.2014	2
5	1554397-0401	(Rear wheel 24" Starec R, lemon, without handrim, marathon evolution)	01.11.2010 → 31.12.2012	2
5	1554397-0402	(Rear wheel 24" Starec R, apricot, without handrim, marathon evolution)	01.11.2010 → 31.12.2012	2
5	1554397-0404	(Rear wheel 24" Starec R, b-blue, without handrim, marathon evolution)	01.11.2010 → 31.12.2014	2
5	1554397-0440	(Rear wheel 24" Starec R, comet red, without handrim, marathon evolution)	01.11.2010 → 31.12.2014	2
5	1554397-0441	(Rear wheel 24" Starec R, arctic blue, without handrim, marathon evolution)	01.11.2010 → 31.12.2014	2
5	1554397-0444	(Rear wheel 24" Starec R, copper glaze, without handrim, marathon evolution)	01.11.2010 → 31.12.2014	2
6	1567104-0407	DRIVHJUL 24 STAREC U/DRIVR U/DEKK U/FARGE <i>Replaces 1416885</i>		2
6	1567104-0001	(Rear wheel 24", Starec X, chrome, without handrim, without tyre) <i>Replaces 904.1132-0001</i>		2
6	1567104-0182	(Rear wheel 24", Starec X, champagne, without handrim, without tyre)	01.01.2013 →	2
6	1567104-0183	(Rear wheel 24" Starec X, olive, without handrim, without tyre)	01.01.2013 →	2
6	1567104-0400	(Rear wheel 24" Starec X, Tecno, without handrim, without tyre) <i>Replaces 904.1132.950</i>		2
6	1567104-0401	(Rear wheel 24" Starec X, Lemon, without handrim, without tyre) <i>Replaces 904.1132.951</i>	01.11.2010 → 31.12.2012	2
6	1567104-0402	(Rear wheel 24" Starec X, Apricot, without handrim, without tyre) <i>Replaces 904.1132.954</i>	01.11.2010 → 31.12.2012	2
6	1567104-0404	(Rear wheel 24" Starec X, B-blue, without handrim, without tyre) <i>Replaces 904.1132.957</i>		2
6	1567104-0440	DRIVHJUL 24 STAREC COMET RØD KUN FELG <i>Replaces 904.1132-0440</i>		2
6	1567104-0441	(Rear wheel 24" Starec X, arctic blue, without handrim, without tyre) <i>Replaces 904.1132-0441</i>		2
6	1567104-0444	FELG 24 STAREC KOBBER UTEN DRIVRING <i>Replaces 904.1132-0444</i>		2
7	SP1601745	(Rear wheel 24", Starec hub X, without handrim, Rightrun black/grey tyre) <i>Replaces 1570471</i>		2
8	904.1141	DRIVHJUL 24 STAREC NAV U TEN DRIVR TREAD		2
10	1554399-0407	(Rear wheel 24", Starec X, colourless, without handrim, marathon evolution)		2
10	1554399-0001	(Rear wheel 24" Starec X, chrome, without handrim, marathon evolution)		2
10	1554399-0182	(Rear wheel 24" Starec X, champagne, without handrim, marathon evolution)	01.01.2013 →	2
10	1554399-0183	(Rear wheel 24" Starec X, olive, without handrim, marathon evolution)	01.01.2013 →	2
10	1554399-0400	(Rear wheel 24" Starec X, tecno, without handrim, marathon evolution)		2
10	1554399-0401	(Rear wheel 24" Starec X, lemon, without handrim, marathon evolution)	01.11.2010 → 31.12.2012	2
10	1554399-0402	(Rear wheel 24" Starec X, apricot, without handrim, marathon evolution)	01.11.2010 → 31.12.2012	2
10	1554399-0404	(Rear wheel 24" Starec X, b-blue, without handrim, marathon evolution)		2
10	1554399-0440	(Rear wheel 24" Starec X, comet red, without handrim, marathon evolution)		2
10	1554399-0441	(Rear wheel 24" Starec X, arctic blue, without handrim, marathon evolution)		2
10	1554399-0444	(Rear wheel 24" Starec X, copper glaze, without handrim, marathon evolution)		2



**(24" Küschall rear wheels complete)**

11	SP1601746	(Rear wheel 24", Starec hub R, handrim, Rightrun black/grey) <i>Replaces 904.1152</i>	01.11.2010 → 31.12.2014	2
12	904.1151	DRIVHJUL 24 STAREC NAV D RIVR TREAD	01.11.2010 → 31.12.2014	2
13	1554398-0407	(Rear wheel 24", Starec R, colourless, handrim, marathon evolution)	01.11.2010 → 31.12.2014	2
13	1554398-0001	(Rear wheel 24" Starec R, chrome, handrim, marathon evolution)	01.11.2010 → 31.12.2014	2
13	1554398-0182	(Rear wheel 24" Starec R, champagne, handrim, marathon evolution)	01.01.2013 → 31.12.2014	2
13	1554398-0183	(Rear wheel 24" Starec R, olive, handrim, marathon evolution)	01.01.2013 → 31.12.2014	2
13	1554398-0400	(Rear wheel 24" Starec R, tecno, handrim, marathon evolution)	01.11.2010 → 31.12.2014	2
13	1554398-0401	(Rear wheel 24" Starec R, lemon, handrim, marathon evolution)	01.11.2010 → 31.12.2012	2
13	1554398-0402	(Rear wheel 24" Starec R, apricot, handrim, marathon evolution)	01.11.2010 → 31.12.2012	2
13	1554398-0404	(Rear wheel 24" Starec R, b-blue, handrim, marathon evolution)	01.11.2010 → 31.12.2014	2
13	1554398-0440	(Rear wheel 24" Starec R, comet red, handrim, marathon evolution)	01.11.2010 → 31.12.2014	2
13	1554398-0441	(Rear wheel 24" Starec R, arctic blue, handrim, marathon evolution)	01.11.2010 → 31.12.2014	2
13	1554398-0444	(Rear wheel 24" Starec R, copper glaze, handrim, marathon evolution)	01.11.2010 → 31.12.2014	2
14	SP1601747	(Rear wheel 24", Starec hub X, handrim, Rightrun black/grey tyre) <i>Replaces 1570472</i>		2
15	904.1125	DRIVHJUL 24 STAREC NAV D RIVR TREAD		2
17	1554400-0407	(Rear wheel 24", Starec X, colourless, handrim, marathon evolution)		2
17	1554400-0001	(Rear wheel 24" Starec X, chrome, handrim, marathon evolution)		2
17	1554400-0182	(Rear wheel 24" Starec X, champagne, handrim, marathon evolution)	01.01.2013 →	2
17	1554400-0183	(Rear wheel 24" Starec X, olive, handrim, marathon evolution)	01.01.2013 →	2
17	1554400-0400	(Rear wheel 24" Starec X, tecno, handrim, marathon evolution)		2
17	1554400-0401	(Rear wheel 24" Starec X, lemon, handrim, marathon evolution)	01.11.2010 → 31.12.2012	2
17	1554400-0402	(Rear wheel 24" Starec X, apricot, handrim, marathon evolution)	01.11.2010 → 31.12.2012	2
17	1554400-0404	(Rear wheel 24" Starec X, b-blue, handrim, marathon evolution)		2
17	1554400-0440	(Rear wheel 24" Starec X, comet red, handrim, marathon evolution)		2
17	1554400-0441	(Rear wheel 24" Starec X, arctic blue, handrim, marathon evolution)		2
17	1554400-0444	(Rear wheel 24" Starec X, copper glaze, handrim, marathon evolution)		2
18	1571073	(Spokereflection, pair) <i>Replaces 220.1033</i>		1
19	1579084	(Spokes 238mm complete, kit 10 Pcs.)	01.11.2010 → 31.12.2014	1
20	1579086	(Spokes 253mm complete, kit 10 Pcs.)		1

## (26" Küschall rear wheels complete)



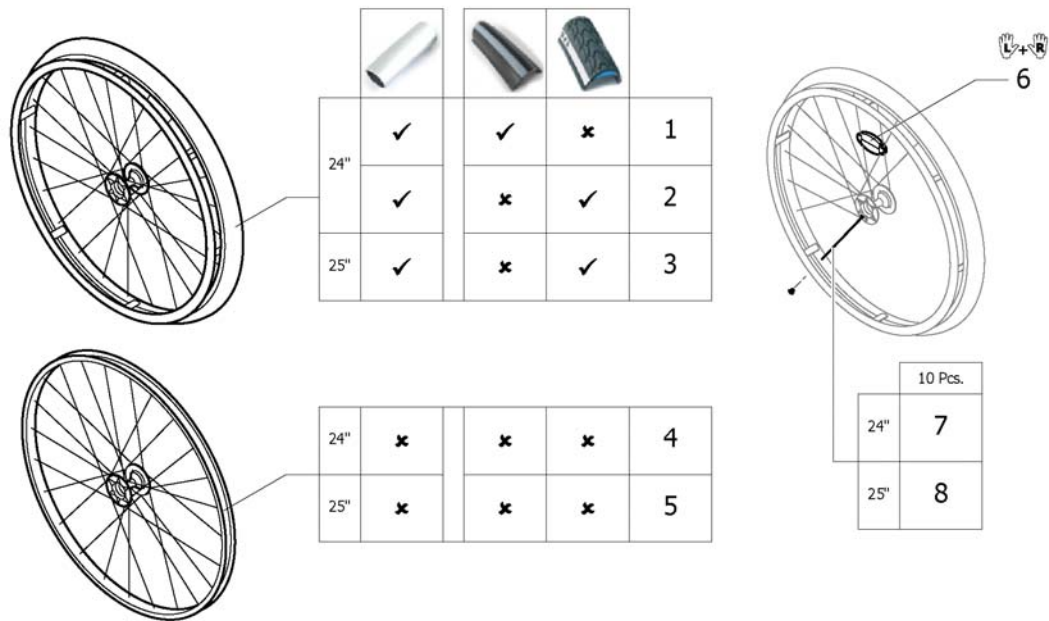
1	1567098-0407	(Rear wheel 26" Starec R, colourless, without handrim, without tyre) <i>Replaces 904.1083</i>	01.11.2010 → 31.12.2014	2
1	1567098-0001	(Rear wheel 26" Starec R, chrome, without handrim, without tyre) <i>Replaces 904.1083-0001</i>	01.11.2010 → 31.12.2014	2
1	1567098-0182	(Rear wheel 26" Starec R, champagne, without handrim, without tyre)	01.01.2013 → 31.12.2014	2
1	1567098-0183	(Rear wheel 26" Starec R, olive, without handrim, without tyre)	01.01.2013 → 31.12.2014	2
1	1567098-0400	(Rear wheel 26" Starec R, tecno, without handrim, without tyre) <i>Replaces 904.1083.950</i>	01.11.2010 → 31.12.2014	2
1	1567098-0401	(Rear wheel 26" Starec R, lemon, without handrim, without tyre) <i>Replaces 904.1083.951</i>	01.11.2010 → 31.12.2012	2
1	1567098-0402	(Rear wheel 26" Starec R, apricot, without handrim, without tyre) <i>Replaces 904.1083.954</i>	01.11.2010 → 31.12.2012	2
1	1567098-0404	(Rear wheel 26" Starec R, b-blue, without handrim, without tyre) <i>Replaces 904.1083.957</i>	01.11.2010 → 31.12.2014	2
1	1567098-0440	(Rear wheel 26" Starec R, comet red, without handrim, without tyre) <i>Replaces 904.1083-0440</i>	01.11.2010 → 31.12.2014	2
1	1567098-0441	(Rear wheel 26" Starec R, arctic blue, without handrim, without tyre) <i>Replaces 904.1083-0441</i>	01.11.2010 → 31.12.2014	2
1	1567098-0444	(Rear wheel 26" Starec R, copper glaze, without handrim, without tyre) <i>Replaces 904.1083-0444</i>	01.11.2010 → 31.12.2014	2
2	SP1601748	(Rear wheel 26", Starec hub R, without handrim, Rightrun black/grey) <i>Replaces 904.1196</i>	01.11.2010 → 31.12.2014	2
3	904.1165	DRIVHJUL 26 STAREC NAV U TEN DRIVR SMOOTH RUNNING	01.11.2010 → 31.12.2012	2
4	1554401-0407	(Rear wheel 26", Starec R, colourless, without handrim, marathon evolution)	01.11.2010 → 31.12.2014	2

**(26" Küschall rear wheels complete)**

4	1554401-0001	(Rear wheel 26" Starec R, chrome, without handrim, marathon evolution)	01.11.2010 → 31.12.2014	2
4	1554401-0182	(Rear wheel 26" Starec R, champagne, without handrim, marathon evolution)	01.01.2013 → 31.12.2014	2
4	1554401-0183	(Rear wheel 26" Starec R, olive, without handrim, marathon evolution)	01.01.2013 → 31.12.2014	2
4	1554401-0400	(Rear wheel 26" Starec R, tecno, without handrim, marathon evolution)	01.11.2010 → 31.12.2014	2
4	1554401-0401	(Rear wheel 26" Starec R, lemon, without handrim, marathon evolution)	01.11.2010 → 31.12.2012	2
4	1554401-0402	(Rear wheel 26" Starec R, apricot, without handrim, marathon evolution)	01.11.2010 → 31.12.2012	2
4	1554401-0404	(Rear wheel 26" Starec R, b-blue, without handrim, marathon evolution)	01.11.2010 → 31.12.2014	2
4	1554401-0440	(Rear wheel 26" Starec R, comet red, without handrim, marathon evolution)	01.11.2010 → 31.12.2014	2
4	1554401-0441	(Rear wheel 26" Starec R, arctic blue, without handrim, marathon evolution)	01.11.2010 → 31.12.2014	2
4	1554401-0444	(Rear wheel 26" Starec R, copper glaze, without handrim, marathon evolution)	01.11.2010 → 31.12.2014	2
5	1567099-0407	DRIVHJUL 26 STAREC NAV UTEN DRIVRING OG DEKK <i>Replaces 904.1133</i>		2
5	1567099-0001	(Rear wheel 26", Starec X, chrome, without handrim, without tyre) <i>Replaces 904.1133-0001</i>		2
5	1567099-0182	(Rear wheel 26", Starec X, champagne, without handrim, without tyre)	01.01.2013 →	2
5	1567099-0183	(Rear wheel 26" Starec X, olive, without handrim, without tyre)	01.01.2013 →	2
5	1567099-0400	(Rear wheel 26" Starec X, Tecno, without handrim, without tyre) <i>Replaces 904.1133.950</i>		2
5	1567099-0401	(Rear wheel 26" Starec X, Lemon, without handrim, without tyre)  <i>Replaces 904.1133.951</i>	01.11.2010 → 31.12.2012	2
5	1567099-0402	(Rear wheel 26" Starec X, Apricot, without handrim, without tyre)  <i>Replaces 904.1133.954</i>	01.11.2010 → 31.12.2012	2
5	1567099-0404	(Rear wheel 26" Starec X, B-blue, without handrim, without tyre) <i>Replaces 904.1133.957</i>		2
5	1567099-0440	(Rear wheel 26" Starec X, Comet red, without handrim, without tyre) <i>Replaces 904.1133-0440</i>		2
5	1567099-0441	(Rear wheel 26" Starec X, arctic blue, without handrim, without tyre) <i>Replaces 904.1133-0441</i>		2
5	1567099-0444	(Rear wheel 26" Starec X, copper glaze, without handrim, without tyre) <i>Replaces 904.1133-0444</i>		2
6	SP1601749	(Rear wheel 26", Starec hub X, without handrim, Rightrun black/grey) <i>Replaces 904.1190</i>		2
7	904.1146	DRIVHJUL 26 STAREC NAV U TEN DRIVR INDOOR SPORTS	01.11.2010 → 31.12.2012	2
8	1554403-0407	(Rear wheel 26", Starec X, colourless, without handrim, marathon evolution)		2
8	1554403-0001	(Rear wheel 26" Starec X, chrome, without handrim, marathon evolution)		2
8	1554403-0182	(Rear wheel 26" Starec X, champagne, without handrim, marathon evolution)	01.01.2013 →	2
8	1554403-0183	(Rear wheel 26" Starec X, olive, without handrim, marathon evolution)	01.01.2013 →	2
8	1554403-0400	(Rear wheel 26" Starec X, tecno, without handrim, marathon evolution)		2
8	1554403-0401	(Rear wheel 26" Starec X, lemon, without handrim, marathon evolution)	01.11.2010 → 31.12.2012	2
8	1554403-0402	(Rear wheel 26" Starec X, apricot, without handrim, marathon evolution)	01.11.2010 → 31.12.2012	2
8	1554403-0404	(Rear wheel 26" Starec X, b-blue, without handrim, marathon evolution)		2
8	1554403-0440	(Rear wheel 26" Starec X, comet red, without handrim, marathon evolution)		2
8	1554403-0441	(Rear wheel 26" Starec X, arctic blue, without handrim, marathon evolution)		2

**(26" Küschall rear wheels complete)**

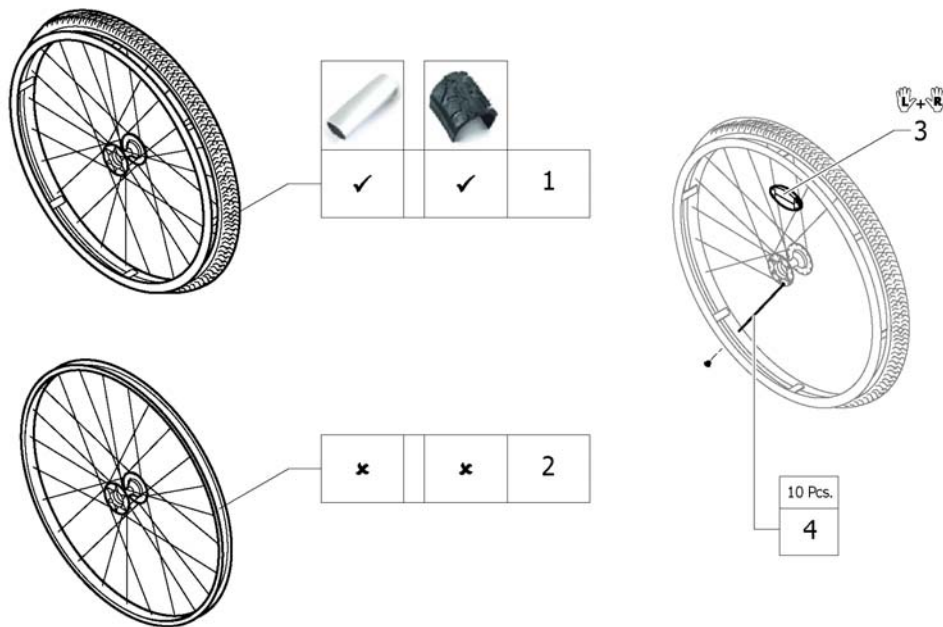
8	1554403-0444	(Rear wheel 26" Starec X, copper glaze, without handrim, marathon evolution)		2
9	SP1601750	(Rear wheel 26", Starec hub R, handrim, Rightrun black/grey)	01.11.2010 → 31.12.2014	2
		<i>Replaces 904.1193</i>		
10	904.1155	DRIVHJUL 26 STAREC NAV D RIVR INDOOR SPORTS	01.11.2010 → 31.12.2012	2
11	1554402-0407	(Rear wheel 26", Starec R, colourless, handrim, marathon evolution)	01.11.2010 → 31.12.2014	2
11	1554402-0001	(Rear wheel 26" Starec R, chrome, handrim, marathon evolution)	01.11.2010 → 31.12.2014	2
11	1554402-0182	(Rear wheel 26" Starec R, champagne, handrim, marathon evolution)	01.01.2013 → 31.12.2014	2
11	1554402-0183	(Rear wheel 26" Starec R, olive, handrim, marathon evolution)	01.01.2013 → 31.12.2014	2
11	1554402-0400	(Rear wheel 26" Starec R, tecno, handrim, marathon evolution)	01.11.2010 → 31.12.2014	2
11	1554402-0401	(Rear wheel 26" Starec R, lemon, handrim, marathon evolution)	01.11.2010 → 31.12.2012	2
11	1554402-0402	(Rear wheel 26" Starec R, apricot, handrim, marathon evolution)	01.11.2010 → 31.12.2012	2
11	1554402-0404	(Rear wheel 26" Starec R, b-blue, handrim, marathon evolution)	01.11.2010 → 31.12.2014	2
11	1554402-0440	(Rear wheel 26" Starec R, comet red, handrim, marathon evolution)	01.11.2010 → 31.12.2014	2
11	1554402-0441	(Rear wheel 26" Starec R, arctic blue, handrim, marathon evolution)	01.11.2010 → 31.12.2014	2
11	1554402-0444	(Rear wheel 26" Starec R, copper glaze, handrim, marathon evolution)	01.11.2010 → 31.12.2014	2
12	SP1601751	(Rear wheel 26", Starec hub X, handrim, Rightrun black/grey)		2
		<i>Replaces 904.1187</i>		
13	904.1129	DRIVHJUL 26 STAREC SPORT HALL & ALU DRIVRING	01.11.2010 → 31.12.2012	2
14	1554417-0407	(Rear wheel 26", Starec X, colourless, handrim, marathon evolution)		2
14	1554417-0001	DRIVHJUL 26 STAREC CHROM DRIVR ALU MARATON DEKK		2
14	1554417-0182	(Rear wheel 26" Starec X, champagne, handrim, marathon evolution)	01.01.2013 →	2
14	1554417-0183	(Rear wheel 26" Starec X, olive, handrim, marathon evolution)	01.01.2013 →	2
14	1554417-0400	(Rear wheel 26" Starec X, tecno, handrim, marathon evolution)		2
14	1554417-0401	(Rear wheel 26" Starec X, lemon, handrim, marathon evolution)	01.11.2010 → 31.12.2012	2
14	1554417-0402	(Rear wheel 26" Starec X, apricot, handrim, marathon evolution)	01.11.2010 → 31.12.2012	2
14	1554417-0404	(Rear wheel 26" Starec X, b-blue, handrim, marathon evolution)		2
14	1554417-0440	(Rear wheel 26" Starec X, comet red, handrim, marathon evolution)		2
14	1554417-0441	(Rear wheel 26" Starec X, arctic blue, handrim, marathon evolution)		2
14	1554417-0444	(Rear wheel 26" Starec X, copper glaze, handrim, marathon evolution)		2
15	1571073	(Spokereflexion, pair)		1
		<i>Replaces 220.1033</i>		
16	1579089	(Spokes 262mm complete, kit 10 Pcs.)	01.11.2010 → 31.12.2014	1
17	1579090	(Spokes 278mm complete, kit 10 Pcs.)		1



1	SP1601754-0001	(Rear wheel 24" High Performance chrome, handrim, Rightrun black/grey) <i>Replaces 1420958-0001</i>		2
1	SP1601754-0004	(Rear wheel 24" High Performance black anodized, handrim, Rightrun black/ grey) <i>Replaces 1420958-0004</i>		2
1	SP1601754-0182	(Rear wheel 24" High Performance champagne, handrim, Rightrun black/grey) <i>Replaces 1420958-0182</i>	01.01.2013 →	2
1	SP1601754-0183	(Rear wheel 24" High Performance olive, handrim, Rightrun black/grey) <i>Replaces 1420958-0183</i>	01.01.2013 →	2
1	SP1601754-0400	(Rear wheel 24" High Performance techno-anthracite, handrim, Rightrun black/ grey) <i>Replaces 1420958-0400</i>		2
1	SP1601754-0401	(Rear wheel 24" High Performance lemon, handrim, Rightrun black/grey) <i>Replaces 1420958-0401</i>	01.11.2010 → 31.12.2012	2
1	SP1601754-0402	(Rear wheel 24" High Performance apricot, handrim, Rightrun black/grey) <i>Replaces 1420958-0402</i>	01.11.2010 → 31.12.2012	2
1	SP1601754-0404	(Rear wheel 24" High Performance b-blue, handrim, Rightrun black/grey) <i>Replaces 1420958-0404</i>		2
1	SP1601754-0440	(Rear wheel 24" High Performance comet red, handrim, Rightrun black/grey) <i>Replaces 1420958-0440</i>		2
1	SP1601754-0441	(Rear wheel 24" High Performance arctic blue, handrim, Rightrun black/grey) <i>Replaces 1420958-0441</i>		2
1	SP1601754-0444	(Rear wheel 24" High Performance copper glaze, handrim, Rightrun black/grey) <i>Replaces 1420958-0444</i>		2
2	1527046-0001	(Wheel 24", High Performance, chrome, handrim alu, tyre Marathon Evolution)		2
2	1527046-0004	DRIVHJUL 24 HØY PERMANCE SORT DRIV ALU DEKK ME		2
2	1527046-0182	(Wheel 24", High Performance, champagne, handrim alu, tyre Marathon Evolution)	01.01.2013 →	2
2	1527046-0183	(Wheel 24", High Performance, olive, handrim alu, tyre Marathon Evolution)	01.01.2013 →	2

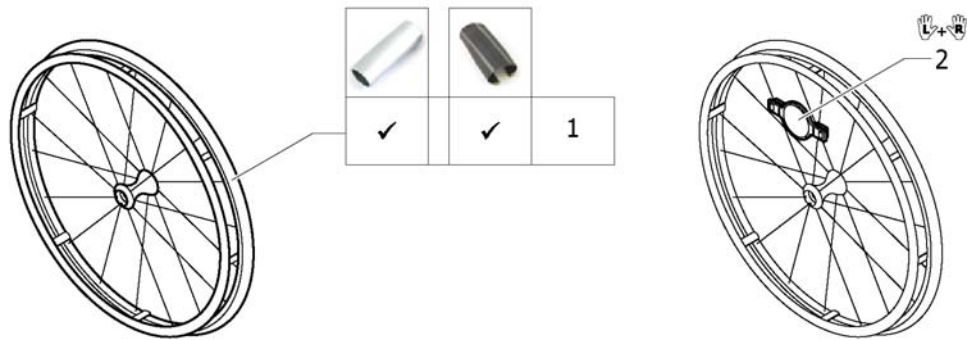
**(High Performance wheel)**

2	1527046-0400	DRIVHJUL 24 HØY PERMANCE TECHNO-ANTHRACITE DRIVR		2
2	1527046-0401	DRIVHJUL 24 HØY PERMANCE SITRON DRIVRING ALU DEK	01.11.2010 → 31.12.2012	2
2	1527046-0402	(Wheel 24", High Performance, apricot, handrim alu, tyre Marathon Evolution)	01.11.2010 → 31.12.2012	2
2	1527046-0404	DRIVHJUL 24 HØY PERMANCE B-BLÅ DRIVRING ALU DEKK		2
2	1527046-0440	DRIVHJUL 24 HØY PERMANCE COMET RØD DRIVRING ALU		2
2	1527046-0441	DRIVHJUL 24 HØY PERMANCE ARCTIC BLÅ DRIVRING ALU		2
2	1527046-0444	DRIVHJUL 24 HØY PERMANCE COPPER GLAZE DRIVRING A		2
3	1445479-0001	(Wheel 25", High Performance, chrome, handrim alu, tyre Marathon Evolution)		2
3	1445479-0004	DRIVHJUL 25 HØY PERMANCE SORT DRIVRING ALU DEKK		2
3	1445479-0182	(Wheel 25", High Performance, champagne, handrim alu, tyre Marathon Evolution)	01.01.2013 →	2
3	1445479-0183	(Wheel 25", High Performance, olive, handrim alu, tyre Marathon Evolution)	01.01.2013 →	2
3	1445479-0400	DRIVHJUL 25 HØY PERMANCE TECHNO-ANTHRACITE DRIVR		2
3	1445479-0401	DRIVHJUL 25 HØY PERMANCE SITRON DRIVRING ALU DEK	01.11.2010 → 31.12.2012	2
3	1445479-0402	DRIVHJUL 25 HØY PERMANCE APRIKOS DRIVRING ALU DE	01.11.2010 → 31.12.2012	2
3	1445479-0404	DRIVHJUL 25 HØY PERMANCE B-BLÅ DRIVRING ALU DEKK		2
3	1445479-0440	DRIVHJUL 25 HØY PERMANCE COMET RØD DRIVRING ALU		2
3	1445479-0441	DRIVHJUL 25 HØY PERMANCE ARCTIC BLÅ DRIVRING ALU		2
3	1445479-0444	DRIVHJUL 25 HØY PERMANCE COPPER GLAZE DRIVRING A		2
4	1517723-0001	(Wheel 24", High Performance, chrome, without handrim, without tyre)		2
4	1517723-0004	DRIVHJUL 24 HØY PERMANCE SVART UTEN DEKK OG DRIVR		2
4	1517723-0182	(Wheel 24", High Performance, champagne, without handrim, without tyre)	01.01.2013 →	2
4	1517723-0183	(Wheel 24", High Performance, olive, without handrim, without tyre)	01.01.2013 →	2
4	1517723-0400	(Wheel 24", High Performance, techno-anthracite, without handrim, without tyre)		2
4	1517723-0401	(Wheel 24", High Performance, lemon, without handrim, without tyre)	01.11.2010 → 31.12.2012	2
4	1517723-0402	(Wheel 24", High Performance, apricot, without handrim, without tyre)	01.11.2010 → 31.12.2012	2
4	1517723-0404	DRIVHJUL 24 HØY PERMANCE B-BLÅ UTEN DRIVRING UTE		2
4	1517723-0440	DRIVHJUL 24 HØY PERMANCE COMET RØD UTEN DRIVRING		2
4	1517723-0441	(Wheel 24", High Performance, arctic blue, without handrim, without tyre)		2
4	1517723-0444	DRIVHJUL 24 HØY PERMANCE COPPER GLAZE UTEN DRIVR		2
5	1562937-0001	(Wheel 25", High Performance, chrome, without handrim, without tyre)		2
5	1562937-0004	(Wheel 25", High Performance, black, without handrim, without tyre)		2
5	1562937-0182	(Wheel 25", High Performance, champagne, without handrim, without tyre)	01.01.2013 →	2
5	1562937-0183	(Wheel 25", High Performance, olive, without handrim, without tyre)	01.01.2013 →	2
5	1562937-0400	(Wheel 25", High Performance, techno-anthrac., without handrim, without tyre)		2
5	1562937-0401	(Wheel 25", High Performance, lemon, without handrim, without tyre)	01.11.2010 → 31.12.2012	2
5	1562937-0402	(Wheel 25", High Performance, apricot, without handrim, without tyre)	01.11.2010 → 31.12.2012	2
5	1562937-0404	(Wheel 25", High Performance, b-blue, without handrim, without tyre)		2
5	1562937-0440	(Wheel 25", High Performance, comet red, without handrim, without tyre)		2
5	1562937-0441	(Wheel 25", High Performance, arctic blue, without handrim, without tyre)		2
5	1562937-0444	(Wheel 25", High Performance, copper glaze, without handrim, without tyre)		2
6	1571073	(Spokereflection, pair) <i>Replaces 220.1033</i>		1
7	1578867	(Spokes kit for High Performance wheel 24", 10 Pcs.)		1
8	1578868	(Spokes kit for High Performance wheel 25", 10 Pcs.)		1



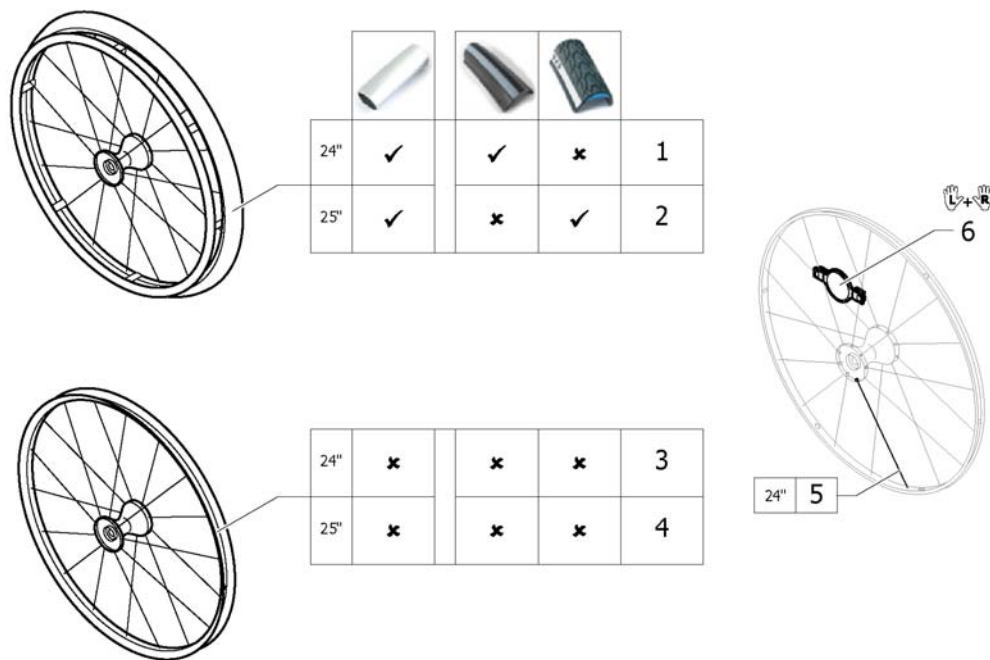
1	1517875	DRIVHJUL 24 MOUTAINDRIVE 22 DRIVRING SVARTE EIKER	2
2	1529327	(Rear wheel Mountain Bike 24", without handrim, without tyre)	2
3	1571073	(Spokereflection, pair) <i>Replaces 220.1033</i>	1
4	1579085	(Spokes kit for Mountain Bike wheel, 10 Pcs.)	1

# (Ultra-light fibre wheel)



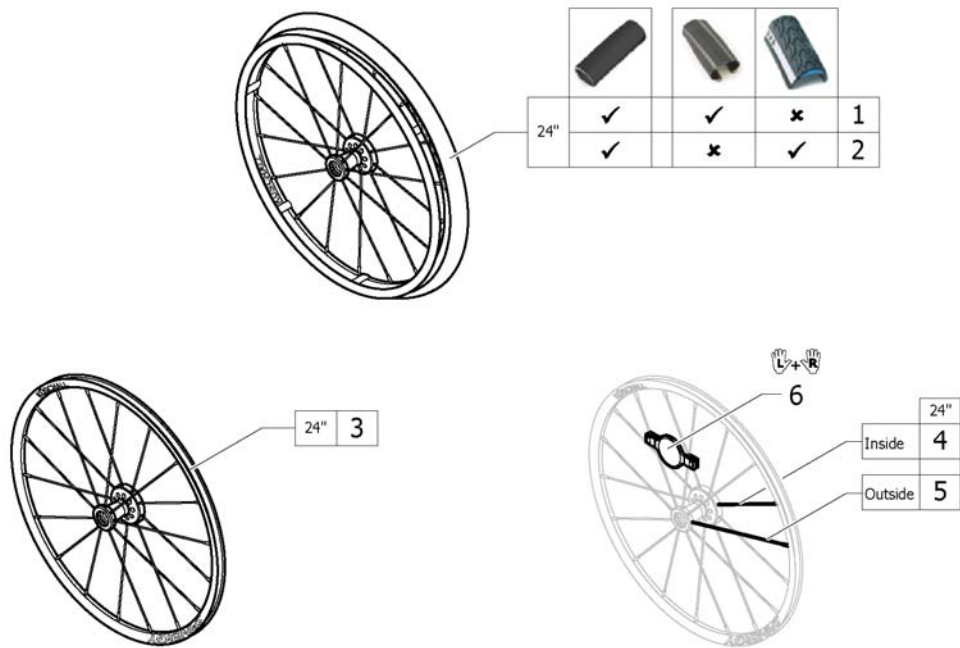
1	1578804	DRIVHJUL 24 ULTRA-LIGHT FIBER HJUL M ULTREMOM DEK <i>Replaces 1547628</i>	20.11.2013 → 31.12.2013	2
2	1571088	(Spoke reflection for Spinergy wheel, pair) <i>Replaces 1451931</i>		1





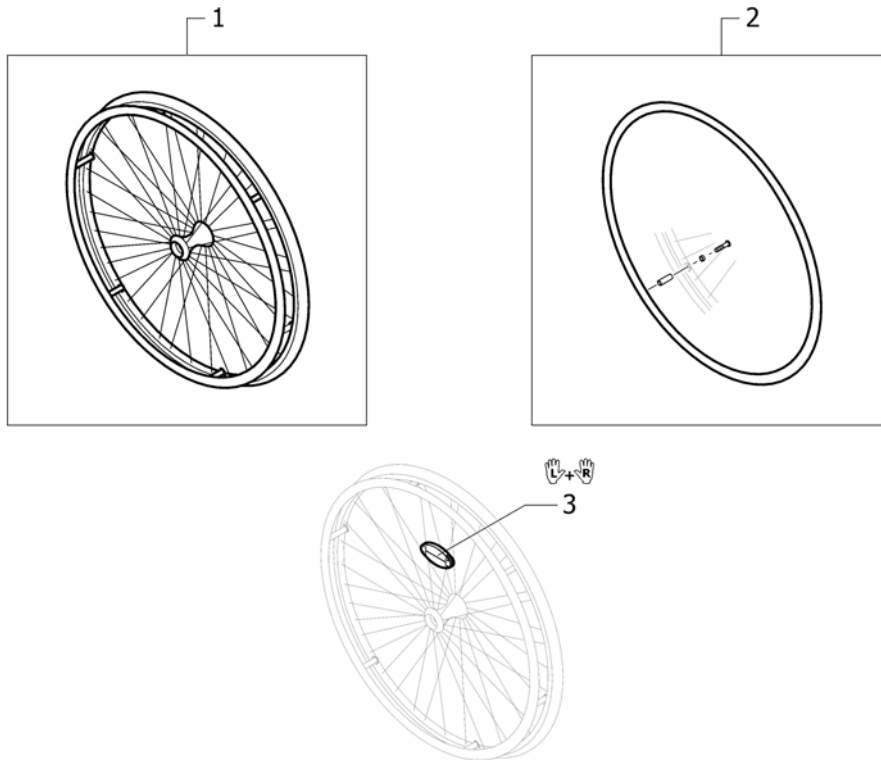
1	SP1601755	(Rear wheel 24" Spinergy, handrim, Rightrun black/grey) <i>Replaces 1485805</i>	01.11.2010 → 31.12.2013	2
2	1525127	DRIVHJUL 25 SPINERGY ALU DRIVR MARATHON EVOLUTION	01.11.2010 → 31.12.2013	2
3	1570426	DRIVHJUL 24 SPINERGY KUN FELG	01.11.2010 → 31.12.2013	2
4	1525128	DRIVHJUL SPINERGY 25" KUSCHALL	01.11.2010 → 31.12.2013	2
5	1579092	(Spoke for Spinergy wheel 24", 1 Pcs.)	01.11.2010 → 31.12.2013	36
6	1571088	(Spoke reflection for Spinergy wheel, pair) <i>Replaces 1451931</i>	01.11.2010 → 31.12.2013	2

Küschall® K-Series G3 | Drivhjul  
**(Spinergy LXX wheel)**



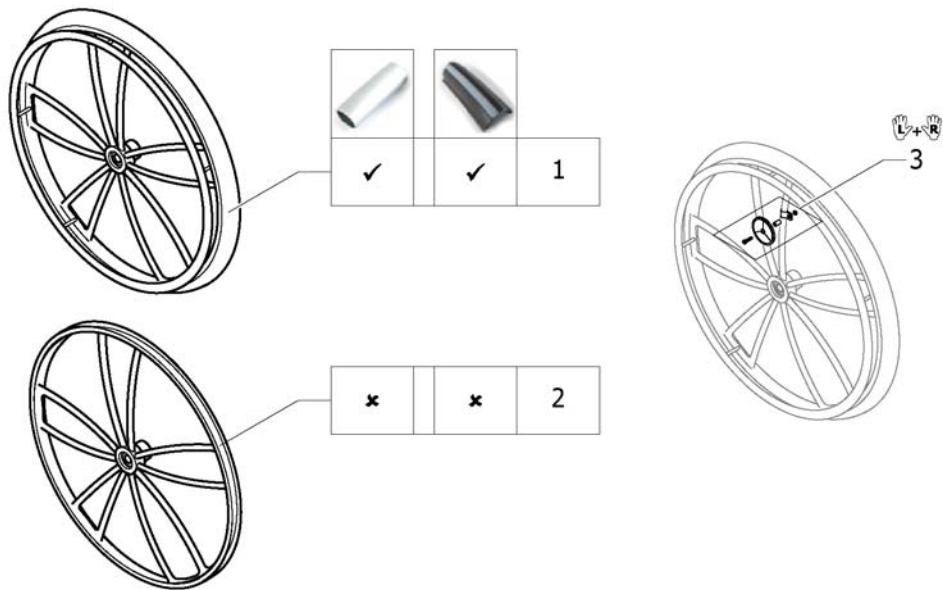
1	1579101	(Rear wheel 24", Spinergy LXX, handrim aluminium black, tyre Schwalbe One)	2
2	1579105	(Rear wheel 24", Spinergy LXX, handrim aluminium black, tyre Marathon Evolution)	2
3	1579102	DRIVHJUL 24 Spinergy LXX UTEN DEKK OG DRIVRING	2
4	1579103	(Spoke inside for Spinergy LXX wheel 24", 236mm., 1 Pcs.)	9
5	1579104	(Spoke outside for Spinergy LXX wheel 24", 249mm., 1 Pcs.)	9
6	1571088	(Spoke reflection for Spinergy wheel, pair)	1

**(Economy wheel 01.07.2014=>)**

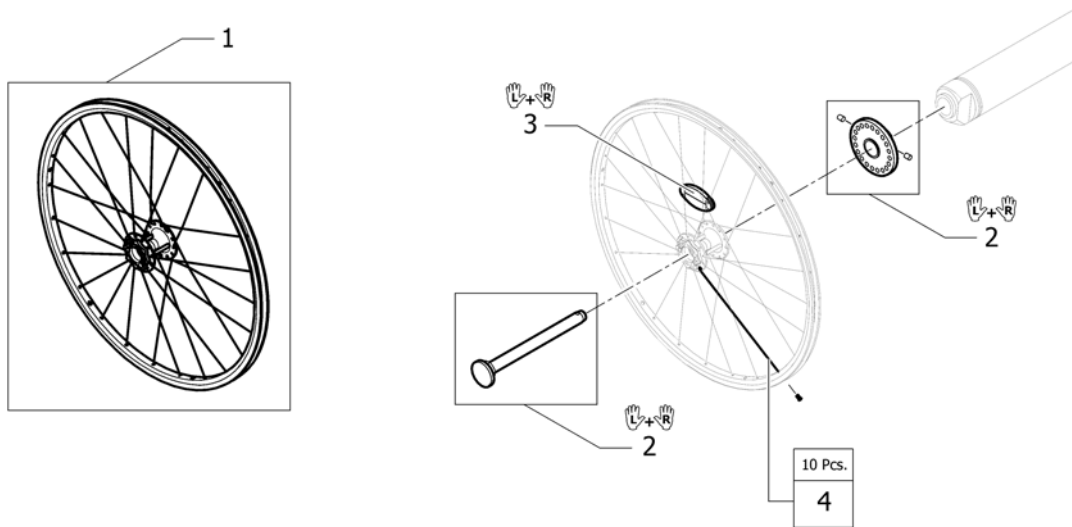


1	1583058	(Rear wheel 24" active)	01.07.2014 →	2
2	1583059	(Handrim 24" Alu incl. Fixation kit for rear wheel 24" Economy)	01.07.2014 →	2
3	1571073	(Spokereflection, pair)		1

## (Spider wheel)




1	SP1601849	(Rear wheel 24" Spiderwheel, handrim, Rightrun black/grey) <i>Replaces 904.1201.000</i>	01.11.2010 → 31.12.2012	2
2	1424944	DRIVHJUL 24 SPIDER U DEKK OG DRIVRING KUSCH	01.11.2010 → 31.12.2012	2
3	1571074	(Spoke reflection set for Spider wheel, pair) <i>Replaces 1439352</i>	01.11.2010 → 31.12.2012	1



1	1570645	(Hub brake wheel 24" without handrim, without tyre)	2
2	1570651	(Mounting kit with Quickrelease for Hub brake, pair)	1
3	1571073	(Spokereflection, pair) <i>Replaces 220.1033</i>	1
4	1579088	(Spokes kit for Hub brake wheel 24", 10 Pcs.)	1

# (Handrim)

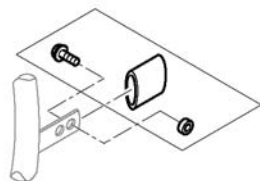


		3cm		4cm		22"		24"		25"		26"		24"		24"		24"									
		1	2	3	4	5	6	7	8	9	10	11	12	13	14	15	16	17	18	19	20	21	22	23	24	25	
Küschall wheel	3cm	1	3	5	7	9	10	11	12	13	15	17	19	20	21	22	23	24	25								
	4cm	2	4	6	8	-	-	-	-	14	16	18	-	-	-	-	-	-	-	-	-	-	-	-	-	-	
High Performance	3cm	-	3	5	-	-	10	11	-	13	15	-	-	20	-	22	23	24	25								
	4cm	-	4	6	-	-	-	-	-	14	16	-	-	-	-	-	-	-	-	-	-	-	-	-	-	-	
Mountainbike	3cm	1	-	-	-	9	-	-	-	-	-	-	-	19	-	-	-	-	-								
	4cm	2	-	-	-	-	-	-	-	-	-	-	-	-	-	-	-	-	-	-	-	-	-	-	-	-	
Spiderwheel	3cm	-	26	-	-	-	-	-	-	27	-	-	-	28	-	-	-	-	-								
	4cm	-	-	-	-	-	-	-	-	-	-	-	-	-	-	-	-	-	-	-	-	-	-	-	-	-	
Spinergy	3cm	-	3	5	-	-	10	11	-	13	15	-	-	20	-	22	23	24	25								
	4cm	-	4	6	-	-	-	-	-	14	16	-	-	-	-	-	-	-	-	-	-	-	-	-	-	-	
Spinergy LXX	3cm	-	3	-	-	-	10	-	-	13	15	-	-	20	-	22	-	-	-								
	4cm	-	4	-	-	-	-	-	-	14	16	-	-	-	-	-	-	-	-	-	-	-	-	-	-	-	
Ultra Light Fibre	3cm	-	3	-	-	-	10	-	-	13	15	-	-	20	-	22	-	24	25								
	4cm	-	4	-	-	-	-	-	-	14	16	-	-	-	-	-	-	-	-	-	-	-	-	-	-	-	
Economy	3cm	-	3	-	-	-	10	-	-	13	15	-	-	20	-	22	-	24	25								
	4cm	-	4	-	-	-	-	-	-	14	16	-	-	-	-	-	-	-	-	-	-	-	-	-	-	-	
Hub brake wheel	3cm	-	3	-	-	-	10	-	-	13	15	-	-	20	-	22	-	24	25								
	4cm	-	4	-	-	-	-	-	-	14	16	-	-	-	-	-	-	-	-	-	-	-	-	-	-	-	

Fix	-	(Fixation handrim)		1
1	1568713-0005	(Handrim 22" Aluminium, distance 3cm)	01.07.2013 →	2
2	1568700	(Handrim 22" Alu, 4cm) <i>Replaces 457.1023</i>		2
3	1568714-0005	DRIVRING 24 ALU ELOKsert KÜSCHALL st.SPINERGY	01.07.2013 →	2
4	1568702	DRIVRING 24 ELOKsert STD KUSCHALL <i>Replaces 1432287-0005</i>		2
5	1568730-0005	(Handrim 25" Aluminium, distance 3cm)	01.07.2013 →	2
6	1568708	DRIVRING 26 ALU LETT Hig Performance 4cm <i>Replaces 1420890-0005</i>		2
7	1568731-0005	(Handrim 26" Aluminium, distance 3cm)	01.07.2013 →	2
8	1568709	DRIVRING 26 ALU ELOKsert KUSCHALL <i>Replaces 457.1043</i>		2
9	1568713-0411	(Handrim 22" Aluminium, black, distance 3cm)	01.07.2013 →	2
10	1568714-0411	DRIVRING 24 SORT LAKK ALU 3CM DISTANSE	01.07.2013 →	2
11	1568730-0411	(Handrim 25" Aluminium, black, distance 3cm)	01.07.2013 →	2
12	1568731-0411	(Handrim 26" Aluminium, black, distance 3cm)	01.07.2013 →	2
13	1568716	(Handrim 24" Titanium, distance 3cm)	01.07.2013 →	2
14	1568705	(Handrim 24" Titanium, 4cm) <i>Replaces 457.1051</i>		2
15	1568715	DRIVRING 24 STÅL 3CM DIST	01.07.2013 →	2
16	1568704	DRIVRING 24 STÅL POLISCH 4CM DIST <i>Replaces 457.1009</i>		2
17	1568777	DRIVRING 26 STÅL 3CM DIST	01.07.2013 →	2
18	1568711	DRIVRING 26 STÅL 4CM KUSCHALL <i>Replaces 457.1010</i>		2
19	1568701	(Handrim 22" Super-Grip) <i>Replaces 457.1045.429</i>		2
20	1568703	DRIVRING 24 SUPERGRIP KUSCHALL <i>Replaces 457.1017.429</i>		2
21	1568710	(Handrim 26" Super-Grip) <i>Replaces 457.1046.429</i>		2
22	1556916	DRIVRING 24 SURGE KUSCHALL		2
23	1556917	DRIVRING 25 SURGE KUSCHALL		2

24	1568706	DRIVRING 24" Tetra KUSCHALL <i>Replaces 457.1052.000</i>	01.11.2010 → 31.12.2011	2
25	1568707	DRIVRING 24" MAXGREP KUSCHALL <i>Replaces 905.5002</i>	01.11.2010 → 31.12.2011	2
26	457.1053.000	DRIVRING 24 ALU ELOKSERT SPIDER WHEEL	01.11.2010 → 31.12.2012	2
27	1416801	\$DRIVRING 24 TITAN KUSCHALL TIL SPIDERHJUL	01.11.2010 → 31.12.2012	2
28	1416802	\$DRIVRING 24 SUPERGRIP KUSCHALL SPIDERWHEEL	01.11.2010 → 31.12.2012	2










**(Fixation handrim)**



		Aluminium		Titanium		Steel		Supergrip		Surge		Tetra		Maxgrip	
	3cm	1	1	1	1	1	1	1	1	3	3	12	12	1	1
	4cm	2	3	-	-	2	3	2	3	2	3	-	-	-	2
	3cm	4	4	4	4	4	4	4	4	6	4	12	12	4	4
	4cm	5	6	-	-	5	6	5	6	5	6	-	-	-	5
	3cm	7	7	7	7	-	-	-	7	7	-	-	-	-	-
	4cm	8	9	-	-	-	-	-	8	9	-	-	-	-	-
	3cm	10	-	-	-	10	-	-	10	-	-	-	-	-	-
	4cm	11	-	-	-	11	-	-	11	-	-	-	-	-	-
	3cm	7	-	7	-	7	-	7	-	9	-	12	-	7	-
	4cm	8	-	-	-	8	-	8	-	8	-	-	-	8	-
	3cm	4	-	4	-	4	-	4	-	6	-	-	-	-	-
	4cm	5	-	-	-	5	-	5	-	5	-	-	-	-	-
	3cm	4	-	4	-	4	-	4	-	6	-	12	-	4	-
	4cm	5	-	-	-	5	-	5	-	5	-	-	-	5	-
	3cm	-	-	-	-	-	-	-	-	-	-	-	-	-	-
	4cm	-	-	-	-	-	-	-	-	-	-	-	-	-	-
	3cm	4	4	4	4	4	4	4	4	6	4	12	-	4	4
	4cm	5	6	-	-	5	6	5	6	5	6	-	-	-	5










1	1495958	FESTESETT DRIVRING 3CM KUSHALL	2	
2	1495959	DRIVRINGSFESTE KIT STD KUSCGHALL HJUL 4CM	2	
3	1495961	(Fixation kit handrim, 4 cm with spokes guard)	2	
4	1496019	FIKSERINGSKIT FOR DRIVRING HIGH PERFORM 3	2	
5	1496020	(Fixation kit handrim for High Performance wheel, 4 cm)	2	
6	1497111	(Fixation kit handrim for High Performance wheel, 4 cm with spokes guard)	2	
7	1496015	(Fixation kit handrim for Mountain bike wheel, 3 cm)	2	
8	1496016	(Fixation kit handrim for Mountain bike wheel, 4 cm)	2	
9	1496018	(Fixation kit handrim for Mountain bike wheel, 4 cm with spokes guard)	2	
10	1418931	\$DISTANSEKIT 3 CM DRIVRING SPIDER WHEEL	01.11.2010 → 31.12.2012	2
11	1418932	\$DISTANSEKIT 4 CM DRIVRING SPIDER WHEEL	01.11.2010 → 31.12.2012	2
12	1570759	FESTE DRIVRING TETRA 3CM AVSTAND KIT	01.11.2010 → 31.12.2011	2






	Acc.														
	24"	25"	26"	24"	24"	25"	26"	24"	25"	24"	24"	24"	24"	24"	26"
 Küschall Räder	1	-	14	2	3	-	15	4	-	6	-	8	9	10	16
 High Performance	1	17	-	2	3	12	-	4	13	6	-	-	-	-	-
 Mountainbike	-	-	-	-	-	-	-	-	-	-	7	-	-	-	-
 Spiderwheel	1	-	-	2	3	-	-	4	-	6	-	8	9	10	-
 Spinergy	1	17	-	2	3	12	-	4	13	6	-	-	-	-	-
 Spinergy LXX	1	17	-	2	3	12	-	4	13	6	-	-	-	-	-
 Ultra Light Fibre	1	-	-	2	3	-	-	4	-	6	-	8	9	10	16
 Economy	-	-	-	-	-	-	-	-	-	-	-	-	-	-	-
 Hub brake wheel	1	-	-	2	3	-	-	4	-	6	-	8	9	10	-

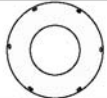















Acc.	-	(Inner tube and rim protector)	1
1	SP1590118	DEKK 24 Rightrun SORT/GRÅ KUSCHALL <i>Replaces 1570828</i>	2
2	1570829	DEKK 24 PROFILERT 7 BAR KUSCHALL <i>Replaces 728.1002</i>	2
3	1570838	DEKK 24 MARATHON KUSCHALL PKT SIKKER <i>Replaces 1438521</i>	2
4	1578802	DEKK 24 SCHWALBE SPEEDRUN 24" KUSCHALL <i>Replaces 1528649</i>	20.11.2013 → 2
6	1562581	DEKK 24" Rightrun BLÅ	01.07.2013 → 2
7	1570830	DEKK 24 MOUNTAINDRIVE HJUL KUSH. ERST. 1420887 <i>Replaces 1420887</i>	2
8	1570839	DEKK 24 MASSE GRÅ R-401 FINT MØNSTER.KUSCHALL <i>Replaces 728.1032</i>	2
9	1570831	DEKK 24 MASSIV GRÅ GROVT MØNSTER <i>Replaces 728.1029</i>	2
10	1570840	DEKK 24 KIK KOMPakte SORTE <i>Replaces 728.1015</i>	2
12	1570841	(Tyre 25" Marathon Evolution) <i>Replaces 1493769</i>	2
13	1578803	(Tyre 25" Schwalbe One) <i>Replaces 1528650</i>	20.11.2013 → 2
14	SP1590119	(Tyre Rightrun black/grey 26") <i>Replaces 1570834</i>	2
15	1570842	(Tyre 26" Marathon Evolution) <i>Replaces 1517977</i>	2
16	1570835	(Indoor sports tyre 26" / 10 bar) <i>Replaces 729.1002</i>	01.11.2010 → 31.12.2012 2
17	SP1590412	(Tyre Rightrun black/grey 25")	01.07.2016 → 2

# (Inner tube and rim protector)

		24"		25"		26"		24"		24"		24"		24"		26"	
	A	1	-	5	1	1	-	5	1	-	1	-	-	-	-	-	-
	B	7	-	9	7	7	-	9	7	-	7	-	7	7	7	7	9
	A	1	4	-	1	1	4	-	1	4	1	-	-	-	-	-	-
	B	8	8	-	8	8	8	-	8	8	8	-	-	-	-	-	-
	A	-	-	-	-	-	-	-	-	-	3	-	-	-	-	-	-
	B	-	-	-	-	-	-	-	-	-	6	-	-	-	-	-	-
	A	1	-	-	1	1	-	-	1	-	1	-	-	-	-	-	-
	B	7	-	-	7	7	-	-	7	-	7	-	7	7	7	7	-
	A	1	4	-	1	1	4	-	1	4	1	-	-	-	-	-	-
	B	8	8	-	8	8	8	-	8	8	8	-	8	8	8	8	-
	A	1	4	-	1	1	-	-	1	4	1	-	-	-	-	-	-
	B	8	8	-	8	8	-	-	8	8	8	-	-	-	-	-	-
	A	-	-	-	-	-	-	-	2	-	-	-	-	-	-	-	-
	B	-	-	-	-	-	-	-	8	-	-	-	-	-	-	-	-
	A	-	-	-	1	-	-	-	-	-	-	-	-	-	-	-	-
	B	-	-	-	7	-	-	-	-	-	-	-	-	-	-	-	-
	A	1	-	-	1	1	-	-	1	-	1	-	-	-	-	-	-
	B	8	-	-	8	8	-	-	8	-	8	-	-	-	-	-	-

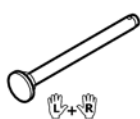
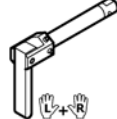
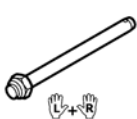




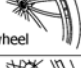




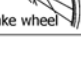
 Inner Tube (A)     
  Rim protector (B)     
  10

1	1570849	SLANGE 24"X1		2
2	1550284	(Inner Tube 24" for Ultra-light fibre wheel)	01.11.2010 → 31.12.2013	2
3	1570852	SLANGE MOUNTAINDRIVE (47-507) ERST. 1420884		2
4	1570851	(Inner tube 26" for High-Performance wheel)		2
5	1570850	(Inner Tube 26" x 1")		2
6	1570844	(Rim protection 22")		2
7	1570845	(Rim protection 24" Large)		2
8	1495962	FELG BÄND HIGH PERFORMANCE DEKK KUSCHAL		2
9	1570846	(Rim protection 26")		2
10	1571072	(Rear wheel inset anti-flat for 20,22,24,26" tyre)		2

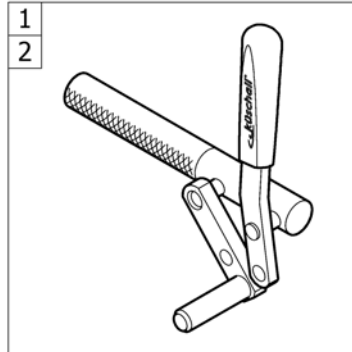
							
	22"	24"	26"	24"	24"	24"	24"
 Küschall wheel	1	2	3	4	5	6	7
 High Performance	-	2	-	4	5	6	7
 Mountainbike	1	-	-	-	-	-	-
 Spiderwheel	-	-	-	-	-	-	-
 Spinergy	-	2	-	4	5	6	7
 Spinergy LXX	-	-	-	-	-	-	-
 Ultra Light Fibre	-	-	-	-	-	-	-
 Economy	-	-	-	-	-	-	-
 Hub brake wheel	-	2	-	4	5	6	7

1	1564453	EIKEBESKYTTER 22 TRANSPERENT KUSCHALL <i>Replaces 736.1005</i>	2
2	1564457	EIKEBESKYTTER 24 TRANSPERENT KUSCHALL <i>Replaces 736.1004</i>	2
3	1564492	EIKEBESKYTTER 26 TRANSPARENT <i>Replaces 736.1003</i>	2
4	1564456	EIKEBESKYTTER 24 SVART KUSCHALL LOGO <i>Replaces 736.1002</i>	2
5	1564459	EIKEBESKYTTER 24" KARBON  <i>Replaces 736.1014</i>	01.11.2010 → 31.12.2013 2
6	1564462	(Spokes guard Switzerland 24")  <i>Replaces 1497108</i>	01.11.2010 → 30.06.2013 2
7	1564463	(Spokes guard Pirates 24")  <i>Replaces 1497109</i>	01.11.2010 → 31.12.2012 2

## (Quick release axle and bearing)

				
 Küschall wheel	1	2	-	7
 High Performance	1	2	-	7
 Mountainbike	1	2	-	7
 Spiderwheel	-	2	3	8
 Spinergy	4	5	-	7
 Spinergy LXX	4	-	-	7
 Ultra Light Fibre	6	2	-	7
 Economy	1	2	-	-
 Hub brake wheel	4	5	-	7

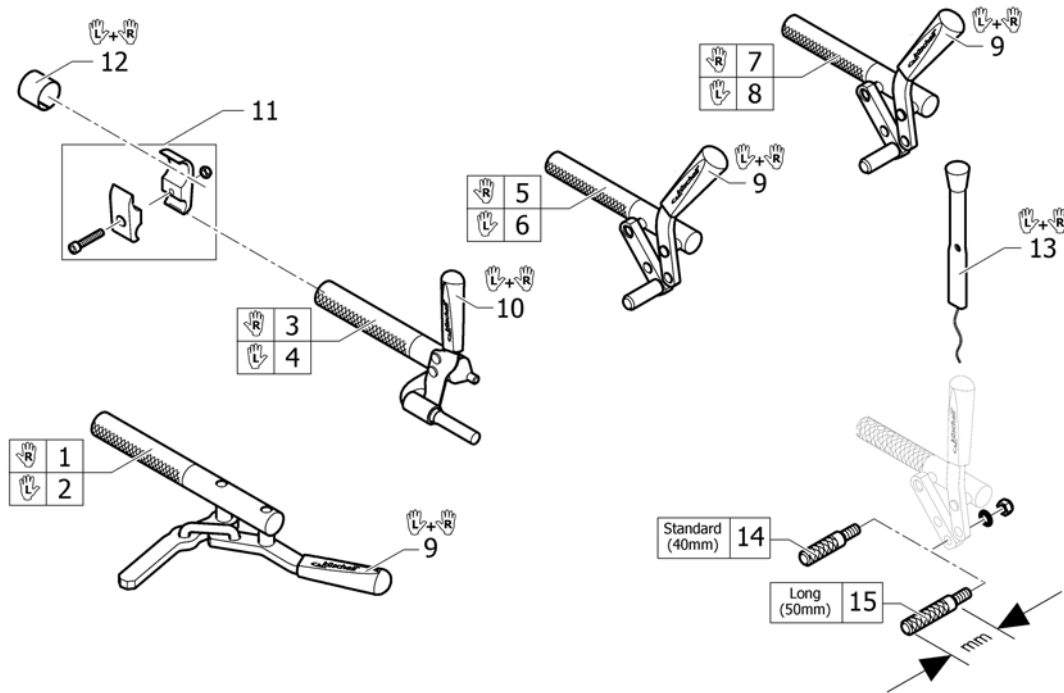
1	1509137-0001	(Quick release axles long with cap, pair, chrome)		1
1	1509137-0004	HURTIGKOBLINGSBOLT L 128 M SORT KNAPP KUSCHAL PAR		1
1	1509137-0182	(Quick release axles long with cap, pair, champagne)	01.01.2013 →	1
1	1509137-0183	(Quick release axles long with cap, pair, olive)	01.01.2013 →	1
1	1509137-0400	HURTIGKOBLING LANG KNAPP TECNO PAR		1
1	1509137-0401	HURTIGKOBLING LANG KNAPP SITRON PAR	01.11.2010 → 31.12.2012	1
1	1509137-0402	HURTIGKOBLING LANG KNAPP APRIKOS PAR	01.11.2010 → 31.12.2012	1
1	1509137-0404	HURTIGKOBLING LANG KNAPP B-BLÅ PAR		1
1	1509137-0407	HURTIGKOBLINGSBOLT L 128 FARGELØS KNAPP KUSCH.PAR		1
1	1509137-0440	HURTIGKOBLING LANG KNAPP COMET PAR		1
1	1509137-0441	HURTIGKOBLINGSAKSEL LANG KNAPP ARCTIC PAR		1
1	1509137-0444	HURTIGKOBLINGSBOLT L 128 KOBBER KNAPP KUSCH.PAR		1
2	1493755	HURTIGKOBLINGSBOLT L 128 TETRA KUSCHALL		1
3	1512031	QR LONG AKSEL PAR		1
4	1507627	QR AKSEL FOR SPINERGY HJUL PAR		1
5	1512029	HURTIGKOBLINGSAKSEL HURT IGTKOBLING AKSEL AKSEL LA		1
6	1547629	HURTIGKOBLINGSBOLT TIL ULTRA-LETT FIBERHJUL		1
7	1571069	(Bearing R8-2RS 1/2"/1.1/8"x5/16", pair) <i>Replaces 5719103</i>		2
8	1571070	(Bearing for Spider wheel, pair) <i>Replaces 1416804</i>		2




---

1	-	(Brakes)		1
2	-	(One arm brake)	01.01.2012 →	1

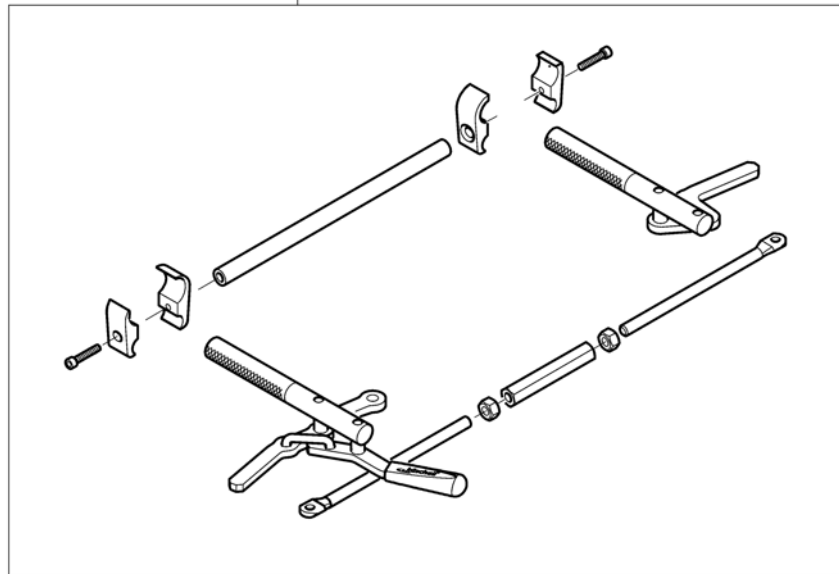
# (Brakes)



1	SP1512134	(Active brake right)	1
2	SP1512133	(Active brake left)	1
3	SP1512132	(Performance brake right)	1
4	SP1512131	(Performance brake left)	1
5	1512126	BREMS SPAK FORMET HØ STD COUL FRA 150208	1
6	1512125	BREMS SPAK FORMET VE STD COUL FRA 150208	1
7	1517655	(Brake, lever bent, long shoe, right)	1
8	1517656	(Brake, lever bent, long shoe, left)	1
9	1513177	HÅNDTAK BREMS PAR KUSCHALL	1
10	1513178	HÅNDTAK BREMS PERFORMANCE PAR KUSCHALL	1
11	1513176	KLEMME BREMS KPL K-SERIE CHAMP 110708	2
12	1544424	(Sleeves for brake clamping pieces to titanium frames, pair) <i>Used for Titanium frames</i>	1
13	1513179	BREMSEFORLENGER PAR KUSCHALL K-JUN COMPACT	1
14	1579328	(Brake shoe standard (40mm), kit 4 Pcs.) <i>Replaces 500.1045 (4x)</i>	1
15	1579329	(Brake shoe long (50mm), kit 4 Pcs.) <i>Replaces 500.1013 (4x)</i>	1

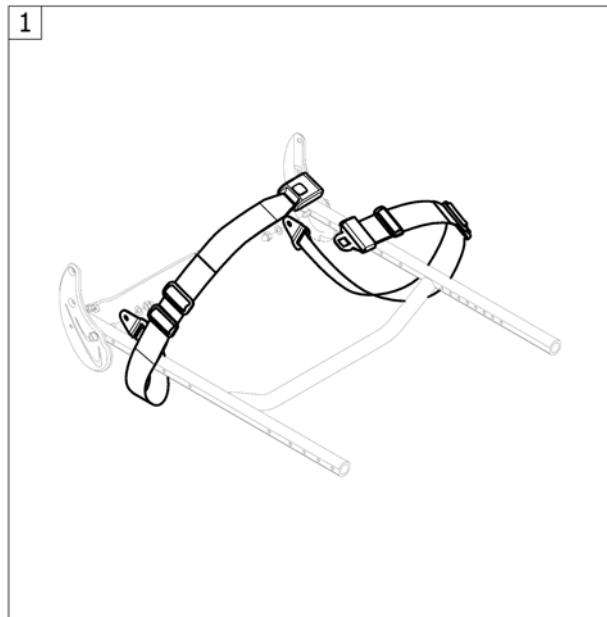
**(One arm brake)**

	SB34	SB36	SB38	SB40	SB42	SB44	SB46	SB48
R	1	2	3	4	5	6	7	8
L	9	10	11	12	13	14	15	16



1	1564282	(One arm brake set right handed SB34, complete)	1
2	1564283	(One arm brake set right handed SB36, complete)	1
3	1564284	(One arm brake set right handed SB38, complete)	1
4	1564285	ENHÅNDSBREMS HØYRE SB40 Kpl. K-G3	1
5	1564286	(One arm brake set right handed SB42, complete)	1
6	1564287	(One arm brake set right handed SB44, complete)	1
7	1564288	(One arm brake set right handed SB46, complete)	1
8	1564289	(One arm brake set right handed SB48, complete)	1
9	1564290	(One arm brake set left handed SB34, complete)	1
10	1564291	(One arm brake set left handed SB36, complete)	1
11	1564292	(One arm brake set left handed SB38, complete)	1
12	1564293	(One arm brake set left handed SB40, complete)	1
13	1564294	(One arm brake set left handed SB42, complete)	1
14	1564295	(One arm brake set left handed SB44, complete)	1
15	1564296	(One arm brake set left handed SB46, complete)	1
16	1564297	(One arm brake set left handed SB48, complete)	1

# Sikkerhetsutstyr

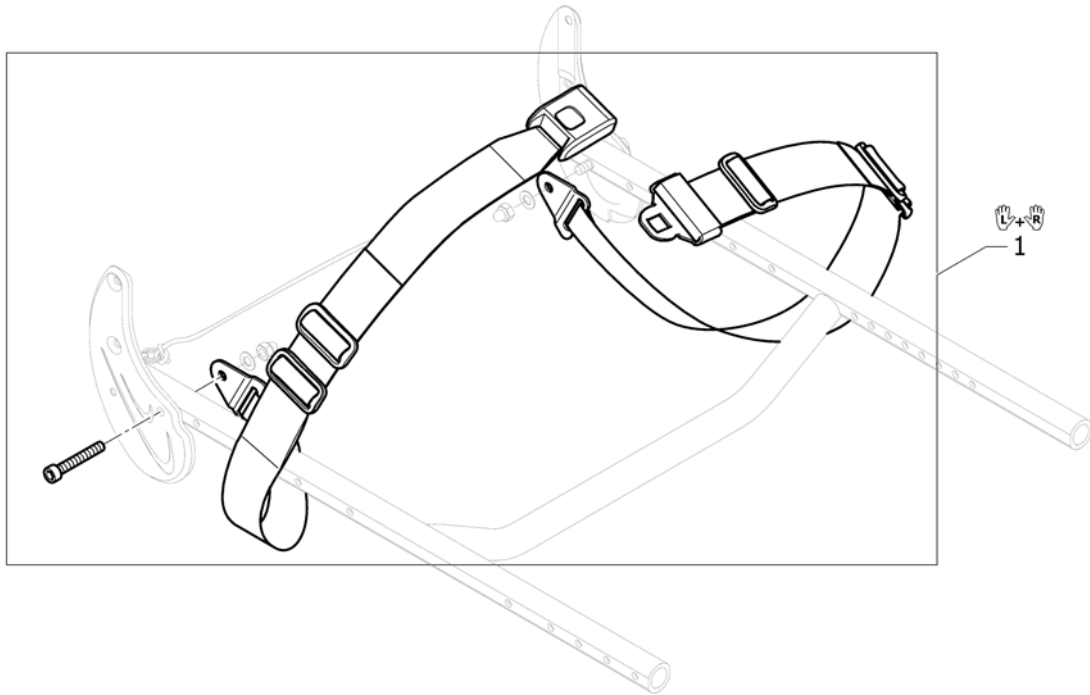


1 -

(Seatbelt for transportation)

1



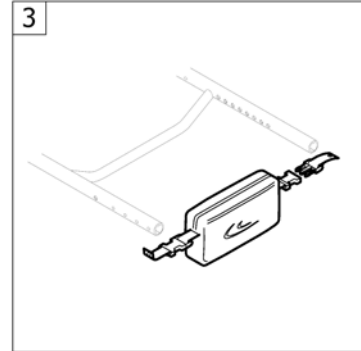
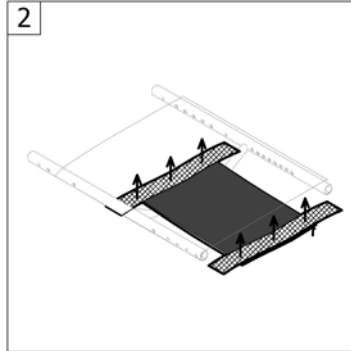
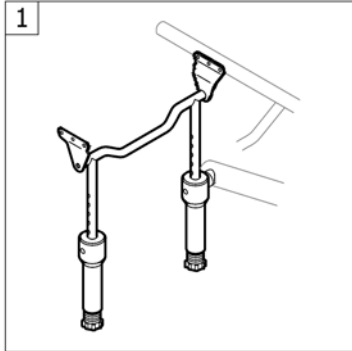


1 1561025

(Seatbelt for transportation)

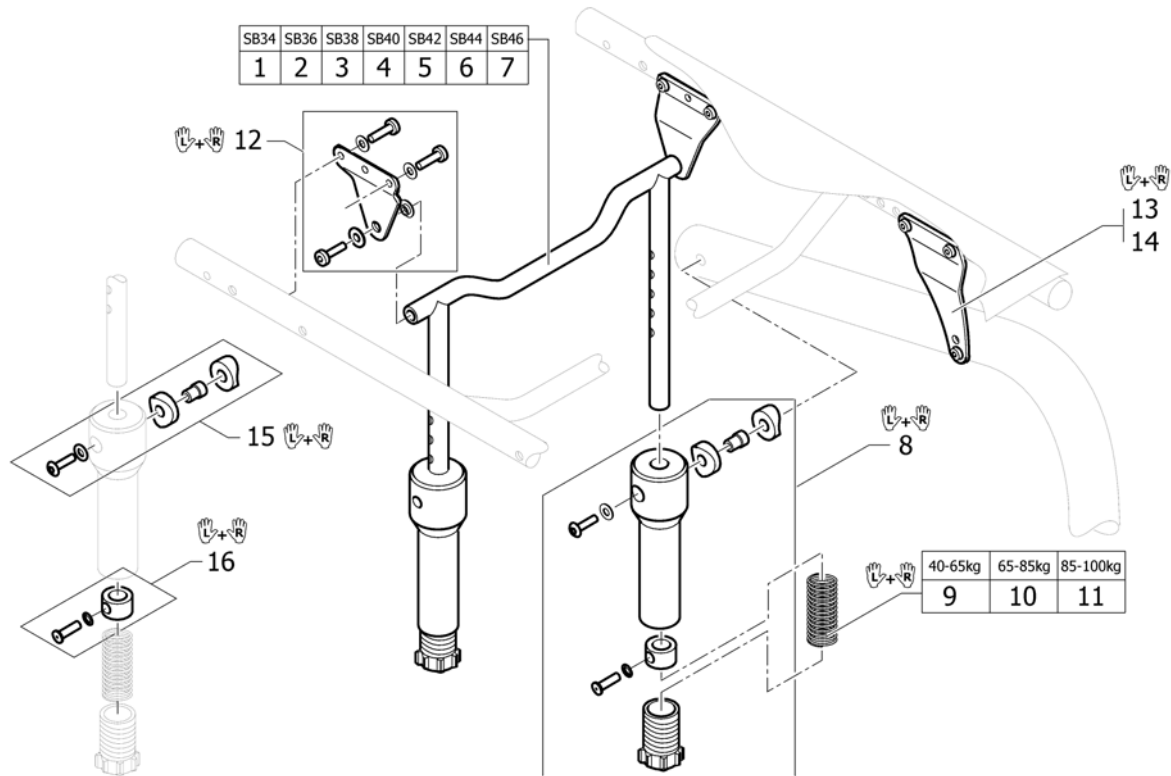
1

# Setetilbehør



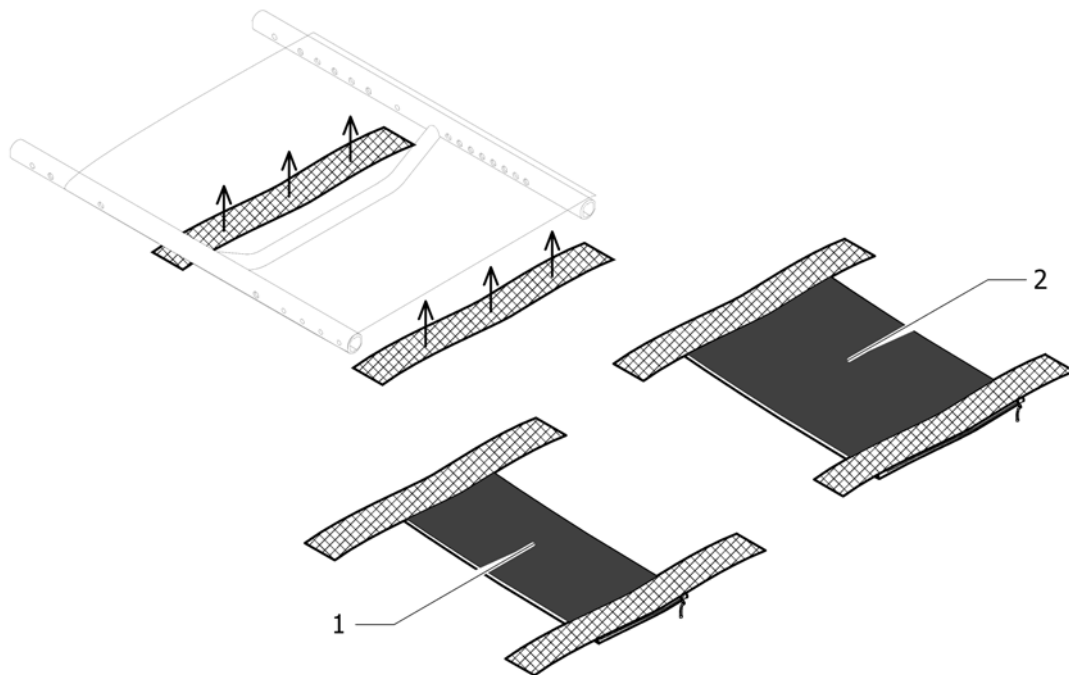
---

1	-	(Suspension)	1
2	-	(Seat upholstery bag)	1
3	-	(Seat frame bag)	1



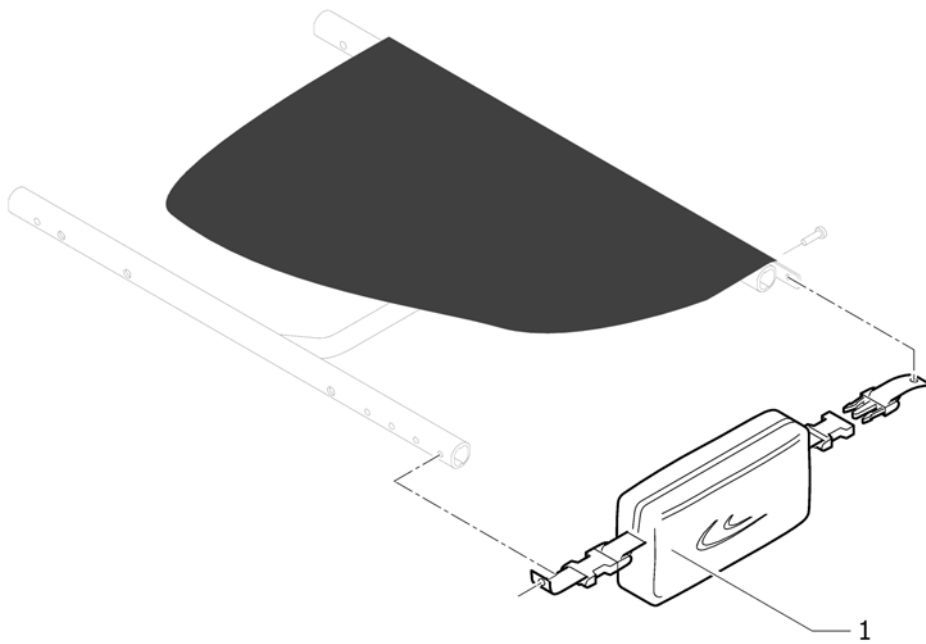
1	1546683	(Seat brace suspension SB34 complete)	1
2	1546684	SETESTAG SB36 DEMPPEMEK Kpl. K-Serie G3	1
3	1546685	(Seat brace suspension SB38 complete)	1
4	1546686	(Seat brace suspension SB40 complete)	1
5	1546687	SETESTAG SB42 DEMPPEMEK KPL K-Serie G3	1
6	1546688	SETESTAG SB44 DEMPPEMEK	1
7	1546689	(Seat brace suspension SB46 complete)	1
8	1492193	DEMPPEMEKANISME U/FJÆR K-SERIE 2006	1
9	1492184	FJÆR DEMPPEMEKANISME 40-65KG K-SERIE 2006	1
10	1492185	FJÆR DEMPPEMEKANISME 65-85KG K-SERIE 2006	1
11	1492186	FJÆR DEMPPEMEKANISME 85-100KG K-SERIE 2006	1
12	1546693	HENGSELEDD BAK PAR K-SERIE G3	1
13	1546691	HENGSELEDD FORAN S K-SERIES G3	1
14	1546692	HENGSELEDD FORAN L TIL K-SERIES G3	1
15	1580451	FIKSERING SETT PAR K-SERIE	1
16	1580452	FORING FOR SUSPENSION PAR K-SERIE	1

## (Seat upholstery bag)



---

1	1547623	(Seat upholstery bag, small)	1
2	1547624	(Seat upholstery bag, big)	1

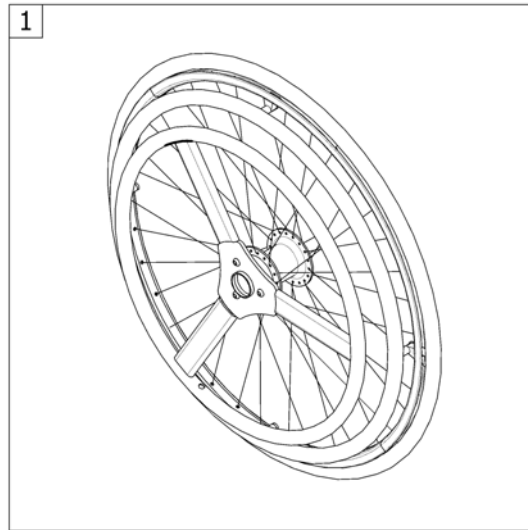


1 1529340

VESKE SETE K-SERIES KUSCHALL

1

## Alternativ fremdrift valg



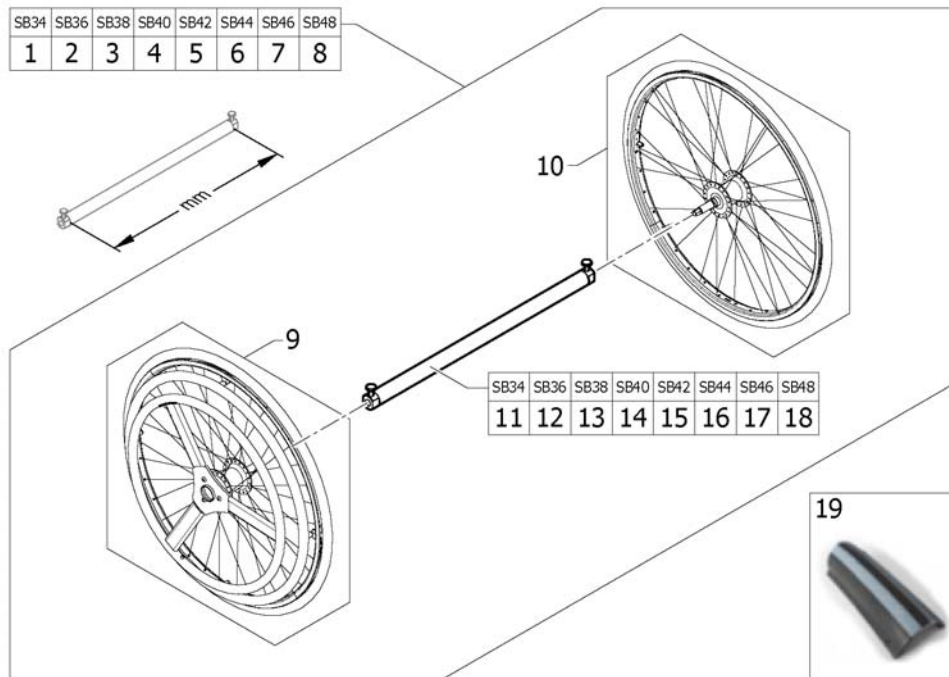
---

1 -

(One arm drive)

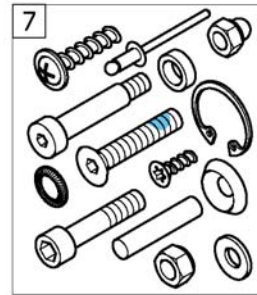
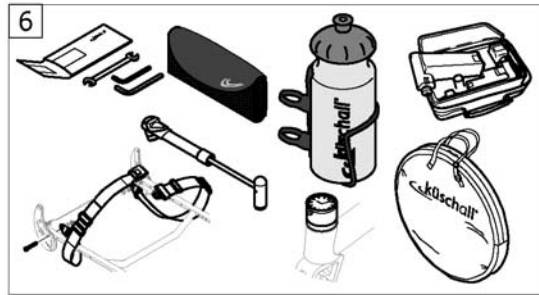
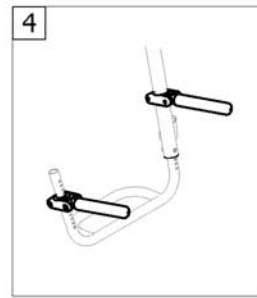
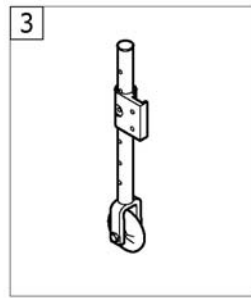
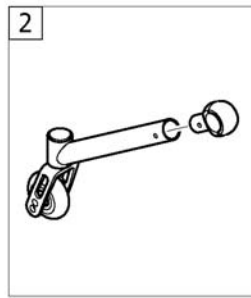
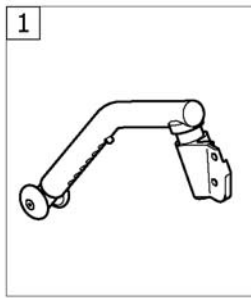
01.01.2013 →

1



1	1567081	(One hand drive 24" wheels with Axle tube 318mm, complete)	1
2	1564370	(One hand drive 24" wheels with Axle tube 338mm, complete)	1
3	1564371	(One hand drive 24" wheels with Axle tube 358mm, complete)	1
4	1564372	(One hand drive 24" wheels with Axle tube 378mm, complete)	1
5	1564373	(One hand drive 24" wheels with Axle tube 398mm, complete)	1
6	1564374	(One hand drive 24" wheels with Axle tube 418mm, complete)	1
7	1564375	(One hand drive 24" wheels with Axle tube 438mm, complete)	1
8	1564376	(One hand drive 24" wheels with Axle tube 458mm, complete)	1
9	1554421	(One hand drive 24" wheel passive (without handrim))	1
10	1554422	(One hand drive 24" wheel active (with handrim))	1
11	1567080	(Axle tube Aluminium, 318mm for one hand drive wheels)	1
12	1564359	(Axle tube Aluminium, 338mm for one hand drive wheels)	1
13	1564360	(Axle tube Aluminium, 358mm for one hand drive wheels)	1
14	1564361	(Axle tube Aluminium, 378mm for one hand drive wheels)	1
15	1564362	(Axle tube Aluminium, 398mm for one hand drive wheels)	1
16	1564363	(Axle tube Aluminium, 418mm for one hand drive wheels)	1
17	1564364	(Axle tube Aluminium, 438mm for one hand drive wheels)	1
18	1564365	(Axle tube Aluminium, 458mm for one hand drive wheels)	1
19	SP1590118	DEKK 24 Rightrun SORT/GRÅ KUSCHALL	1

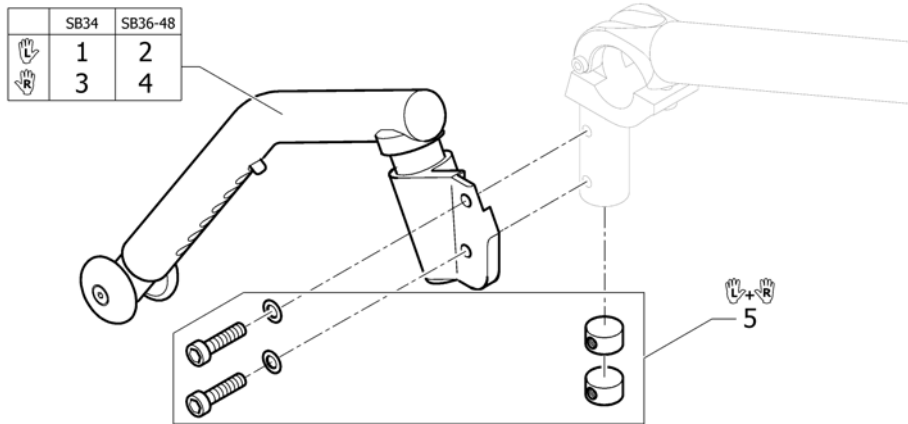
## Tilbehør og valg




---

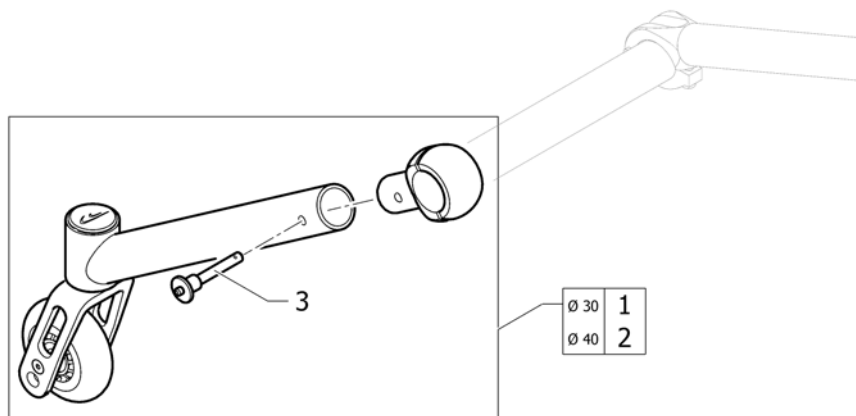
1	-	(Antitipper)	1
2	-	(Active Antitipper)	1
3	-	(Transit wheel)	1
4	-	(Luggage holder)	1
5	-	(Winter accessories)	1
6	-	(Chair accessories)	1
7	-	(Fixation: screws, ...)	1





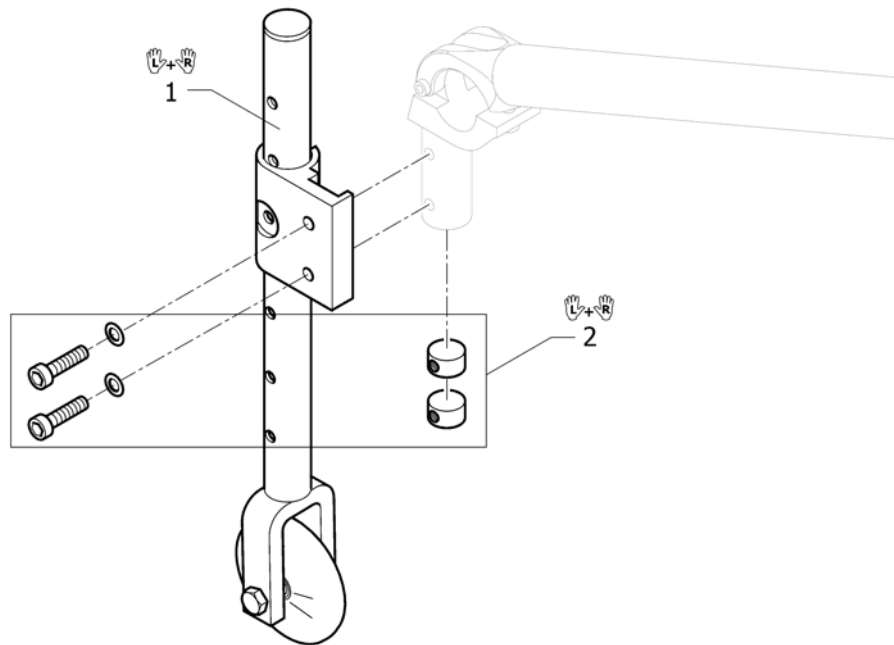
1	1488927	TIPPESIKRING KORT VENSTR KOMPL K4 AIRLITE 010306	1
2	1488929	TIPPESIKRING LANG VENSTR KOMPL K4 AIRLITE 010306	1
3	1488928	TIPPESIKRING KORT HØYRE KOMPL K4 AIRLITE 010306	1
4	1488930	TIPPESIKRING LANG HØYRE KOMPL K4 AIRLITE 010306	1
5	1547621	FESTE ADAPTER TIPPESIKR KIT K4 g3	1

## (Active Antitipper)



---

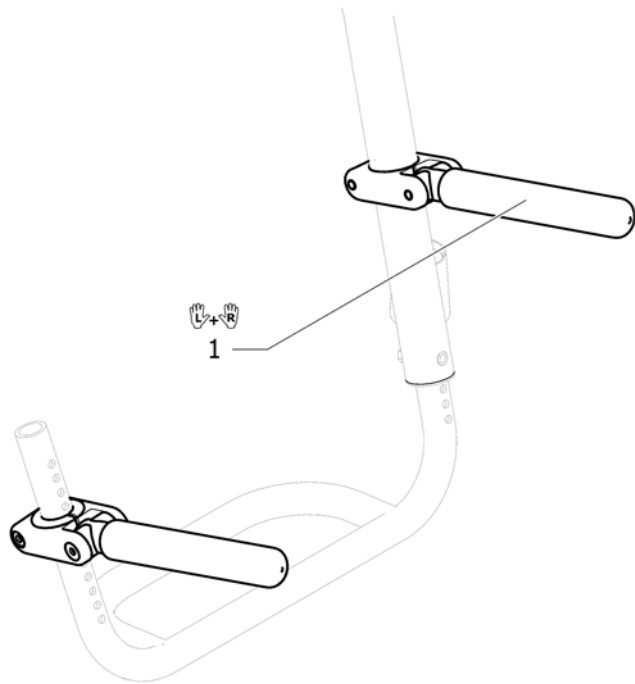
1	1517873	TIPPESIKRING AKTIV KPL FESTES PÅ STD AKSEL	1
2	1517874	TIPPESIKRING AKTIV KPL FESTES PÅ VARIO-AX	1
3	1517877	QUICKPIN K-JUNIOR	1



---

1	1451791	TRANSITTHJUL K_SERIE05	1
2	1547621	FESTE ADAPTER TIPPESIKR KIT K4 g3	1

## (Luggage holder)



---

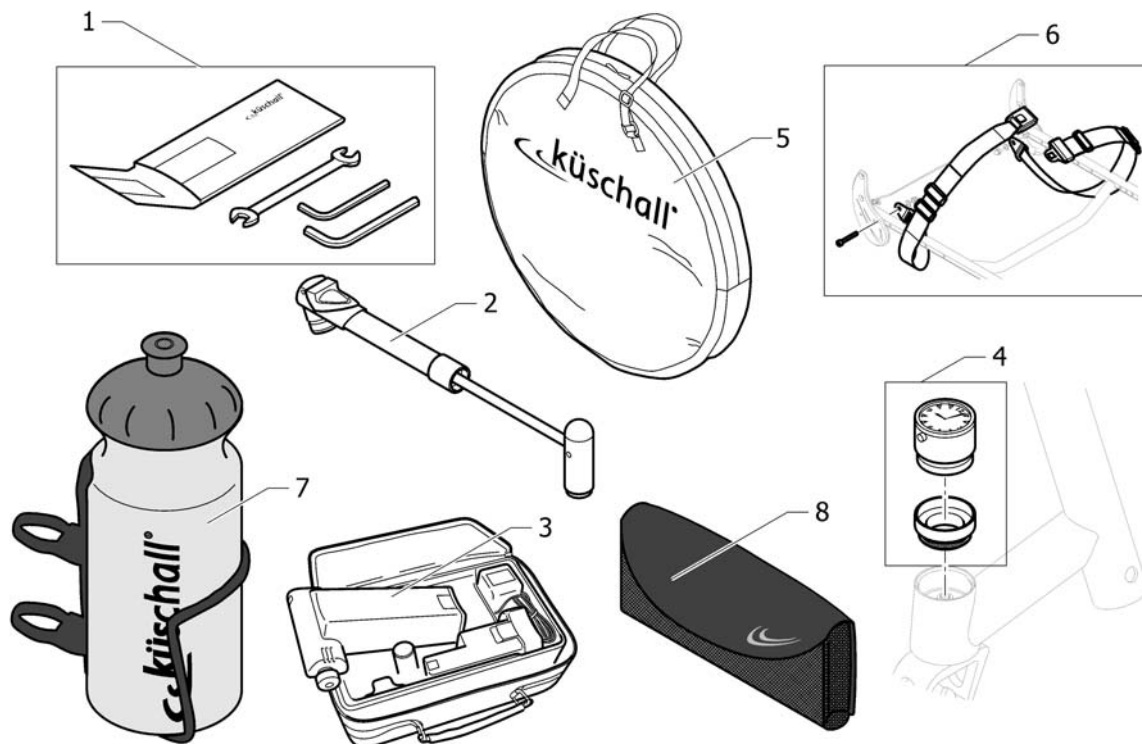
1 1547626

BAGGASJE BÆRER KUSCHALL PAR

1

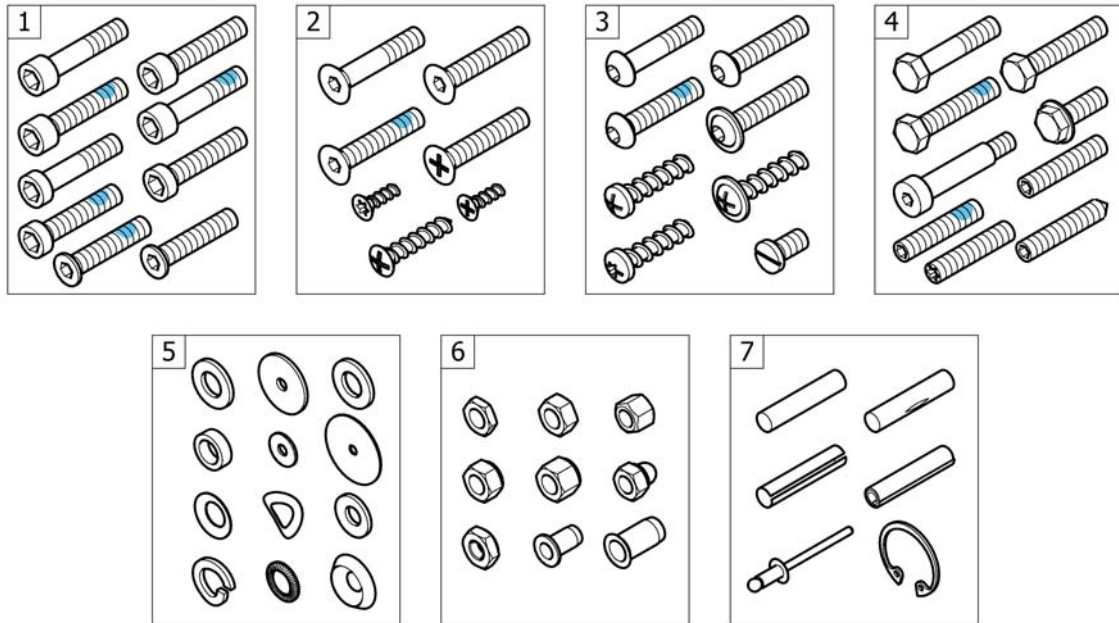


**(Chair accessories)**



1	1518285	VERKTØYSETT KUSCHALL	1
2	1517924	PUMPE KUSCHALL MANUELL	1
3	1518286	(Air man)	1
4	1589117	(Küschall watch mounted on bearing block, kit)	1
5	1518287	VESKE FOR 24 OG 26 HJUL KUSCHALL LOGO	1
6	1567136	(Seat belt)	1
7	1547625	FLASKEHOLDER MED FLASKE KUSCHALL	1
8	1547622	MOBIL TELEFON HOLDER KSL	1

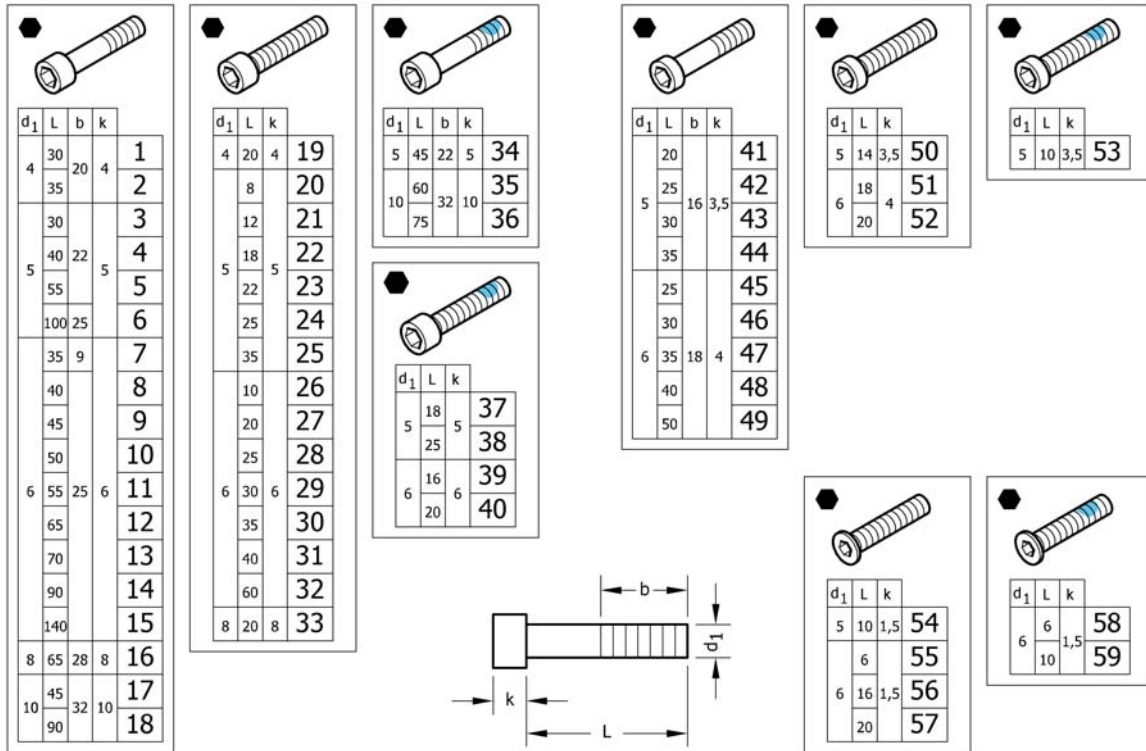
01.01.2013 →




---

1	-	(Socket head cap screws)	1
2	-	(Countersunk screws)	1
3	-	(Button head screws)	1
4	-	(Hex-head screws, diverse, ...)	1
5	-	(Washers)	1
6	-	(Nuts)	1
7	-	(Pins, rivets, ...)	1

# (Socket head cap screws)



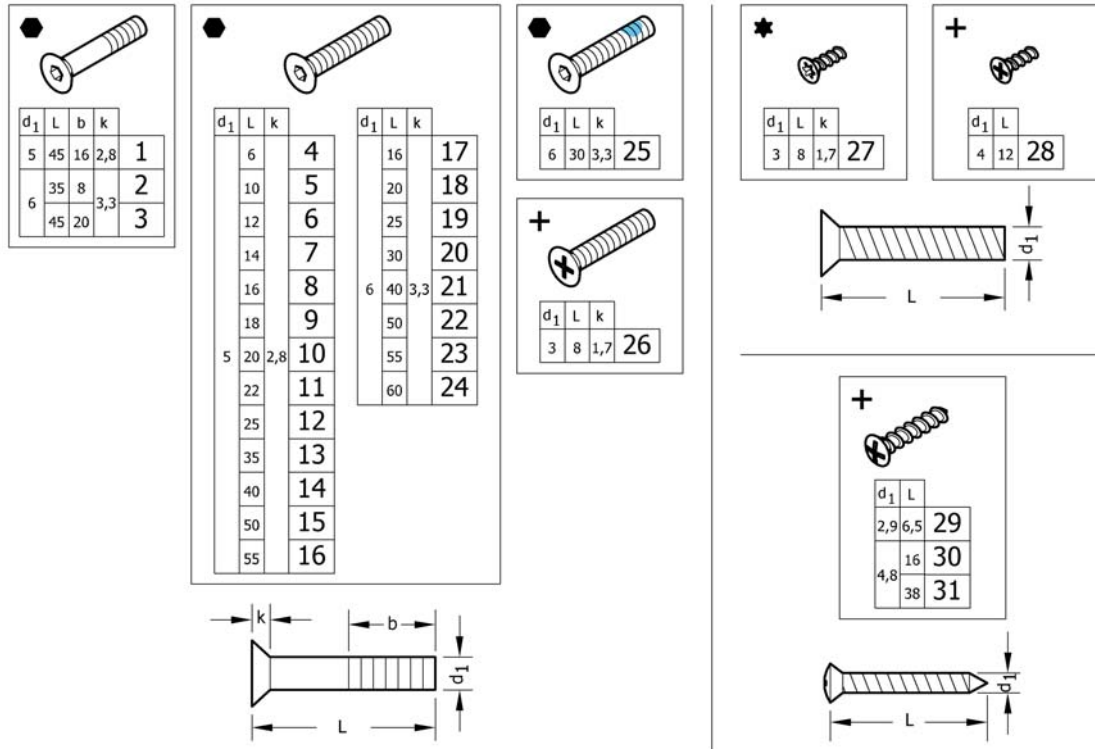
1	1579115	(Hex socket head cap screws partially threaded, zi.Blue, M4x30, kit 25 Pcs.) <i>Replaces 1560191 (25x)</i>	1
2	1579116	(Hex socket head cap screws partially threaded, zi.Blue, M4x35, kit 25 Pcs.) <i>Replaces 1563765 (25x)</i>	1
3	1579117	(Hex socket head cap screws partially threaded, black, M5x30, kit 25 Pcs.) <i>Replaces 100.1091 (25x)</i>	1
4	1579118	(Hex socket head cap screws partially threaded, black, M5x40, kit 25 Pcs.) <i>Replaces 100.1093 (25x)</i>	1
5	1579119	(Hex socket head cap screws partially threaded, black, M5x55, kit 25 Pcs.) <i>Replaces 100.1096 (25x)</i>	1
6	1579120	(Hex socket head cap screws partially threaded, black, M5x100, kit 10 Pcs.) <i>Replaces 1425240 (10x)</i>	1
7	1579121	(Hex socket head cap screws partially threaded, black, M6x35, kit 5 Pcs.) <i>Replaces 107.1001 (5x)</i>	1
8	1579122	(Hex socket head cap screws partially threaded, black, M6x40, kit 25 Pcs.) <i>Replaces 100.1133 (25x)</i>	1
9	1579123	(Hex socket head cap screws partially threaded, black, M6x45, kit 25 Pcs.) <i>Replaces 100.1134 (25x)</i>	1
10	1579124	(Hex socket head cap screws partially threaded, black, M6x50, kit 25 Pcs.) <i>Replaces 100.1135 (25x)</i>	1
11	1579125	(Hex socket head cap screws partially threaded, black, M6x55, kit 25 Pcs.) <i>Replaces 100.1136 (25x)</i>	1
11	1579126	(Hex socket head cap screws partially threaded, zi.Blue, M6x55, kit 25 Pcs.) <i>Replaces ZM006551A (25x)</i>	1
12	1579127	(Hex socket head cap screws partially threaded, black, M6x65, kit 10 Pcs.) <i>Replaces 100.1138 (10x)</i>	1
13	1579128	(Hex socket head cap screws partially threaded, black, M6x70, kit 10 Pcs.) <i>Replaces 100.1139 (10x)</i>	1
14	1579129	(Hex socket head cap screws partially threaded, black, M6x90, kit 10 Pcs.) <i>Replaces 1529118 (10x)</i>	1
15	1579130	(Hex socket head cap screws partially threaded, black, M6x140, kit 10 Pcs.) <i>Replaces 1529117 (10x)</i>	1



16	1579131	(Hex socket head cap screws partially threaded, black, M8x65, kit 10 Pcs.) <i>Replaces 1510316 (10x)</i>	1
17	1579132	(Hex socket head cap screws partially threaded, black, M10x45, kit 2 Pcs.) <i>Replaces 1496010 (2x)</i>	1
18	1579133	(Hex socket head cap screws partially threaded, black, M10x90, kit 2 Pcs.) <i>Replaces 1496013 (2x)</i>	1
19	1579134	(Hex socket head cap screws fully threaded, black, M4x20, kit 25 Pcs.) <i>Replaces 100.1050 (25x)</i>	1
20	1579135	(Hex socket head cap screws fully threaded, black, M5x8, kit 5 Pcs.) <i>Replaces 1493753 (5x)</i>	1
21	1579136	(Hex socket head cap screws fully threaded, black, M5x12, kit 25 Pcs.) <i>Replaces 100.1084 (25x)</i>	1
22	1579137	(Hex socket head cap screws fully threaded, black, M5x18, kit 25 Pcs.) <i>Replaces 100.1087 (25x)</i>	1
23	1579138	(Hex socket head cap screws fully threaded, black, M5x22, kit 25 Pcs.) <i>Replaces 100.1089 (25x)</i>	1
24	1579139	(Hex socket head cap screws fully threaded, black, M5x25, kit 25 Pcs.) <i>Replaces 100.1090 (25x)</i>	1
25	1579140	(Hex socket head cap screws fully threaded, black, M5x35, kit 25 Pcs.) <i>Replaces 100.1092 (25x)</i>	1
26	1579141	(Hex socket head cap screws fully threaded, black, M6x10, kit 25 Pcs.) <i>Replaces 100.1123 (25x)</i>	1
27	1579142	(Hex socket head cap screws fully threaded, black, M6x20, kit 25 Pcs.) <i>Replaces 100.1128 (25x)</i>	1
28	1579143	(Hex socket head cap screws fully threaded, black, M6x25, kit 25 Pcs.) <i>Replaces 100.1130 (25x)</i>	1
29	1579144	(Hex socket head cap screws fully threaded, black, M6x30, kit 25 Pcs.) <i>Replaces 100.1131 (25x)</i>	1
30	1579145	(Hex socket head cap screws fully threaded, black, M6x35, kit 25 Pcs.) <i>Replaces 100.1132 (25x)</i>	1
31	1579146	(Hex socket head cap screws fully threaded, black, M6x40, kit 10 Pcs.) <i>Replaces 1563349 (10x)</i>	1
32	1579147	(Hex socket head cap screws fully threaded, black, M6x60, kit 10 Pcs.) <i>Replaces 100.1137 (10x)</i>	1
33	1579148	(Hex socket head cap screws fully threaded, black, M8x20, kit 10 Pcs.) <i>Replaces 1510307 (10x)</i>	1
34	1579149	(Hex sock.Head cap screws partial.Thread., black, TufLok, M5x45, kit 5 Pcs.) <i>Replaces 1496014 (5x)</i>	1
35	1579150	(Hex sock.Head cap screws partial.Thread., black, TufLok, M10x60, kit 2 Pcs.) <i>Replaces 1496011 (2x)</i>	1
36	1579151	(Hex sock.Head cap screws partial.Thread., black, TufLok, M10x75, kit 2 Pcs.) <i>Replaces 1496012 (2x)</i>	1
37	1579152	(Hex socket head cap screws fully threaded, black, TufLok, M5x18, kit 10 Pcs.) <i>Replaces 1425241 (10x)</i>	1
38	1579153	(Hex socket head cap screws fully threaded, black, TufLok, M5x25, kit 10 Pcs.) <i>Replaces 1570153 (10x)</i>	1
39	1579154	(Hex socket head cap screws full.Thread., zi.Blue, TufLok, M6x16, kit 10 Pcs.) <i>Replaces 1560219 (10x)</i>	1
40	1579155	(Hex socket head cap screws fully threaded, black, TufLok, M6x20, kit 10 Pcs.) <i>Replaces 1498775 (10x)</i>	1
41	1579156	(Hex sock.Head cap screws, low head, part.Thread., black, M5x20, kit 25 Pcs.) <i>Replaces 1438501 (25x)</i>	1
42	1579157	(Hex sock.Head cap screws, low head, part.Thread., black, M5x25, kit 25 Pcs.) <i>Replaces 1438518 (25x)</i>	1
43	1579158	(Hex sock.Head cap screws, low head, part.Thread., black, M5x30, kit 25 Pcs.) <i>Replaces 100.5090 (25x)</i>	1

**(Socket head cap screws)**

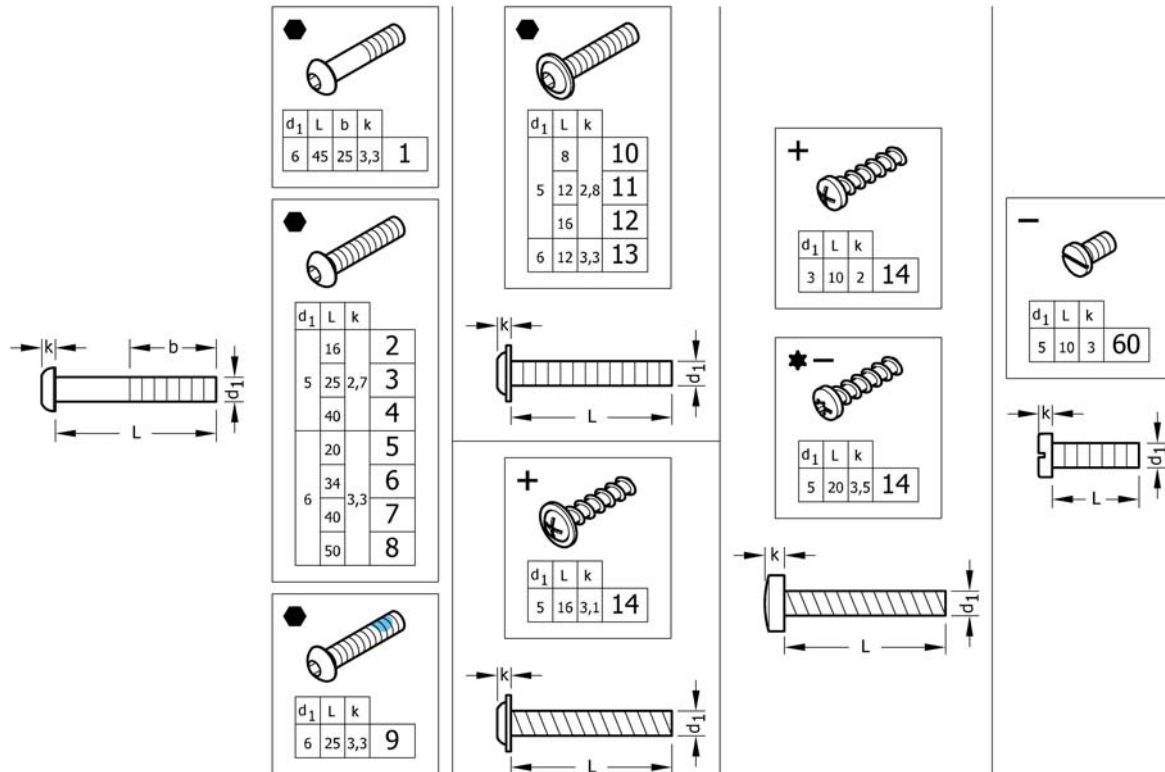
44	1579159	(Hex sock.Head cap screws, low head, part.Thread., black, M5x35, kit 25 Pcs.) <i>Replaces 100.5091 (25x)</i>	1
45	1579160	(Hex sock.Head cap screws, low head, part.Thread., black, M6x25, kit 25 Pcs.) <i>Replaces 1432120 (25x)</i>	1
46	1579161	(Hex sock.Head cap screws, low head, part.Thread., black, M6x30, kit 25 Pcs.) <i>Replaces 100.5130 (25x)</i>	1
47	1579162	(Hex sock.Head cap screws, low head, part.Thread., black, M6x35, kit 25 Pcs.) <i>Replaces 1438504 (25x)</i>	1
48	1579163	(Hex sock.Head cap screws, low head, part.Thread., black, M6x40, kit 25 Pcs.) <i>Replaces 100.5132 (25x)</i>	1
49	1579164	(Hex sock.Head cap screws, low head, part.Thread., black, M6x50, kit 25 Pcs.) <i>Replaces 100.5134 (25x)</i>	1
50	1579165	(Hex sock.Head cap screws, low head, part.Thread., black, M5x14, kit 25 Pcs.) <i>Replaces 100.5085 (25x)</i>	1
51	1579166	(Hex sock.Head cap screws, low head, part.Thread., black, M6x18, kit 25 Pcs.) <i>Replaces 100.5126 (25x)</i>	1
52	1579167	(Hex sock.Head cap screws, low head, part.Thread., black, M6x20, kit 25 Pcs.) <i>Replaces 100.5127 (25x)</i>	1
53	1579168	(Hex soc.Head cap scr., low head, part.Threa., bl., TufL., M5x10, kit 10 Pcs.) <i>Replaces 1496026 (10x)</i>	1
54	1579169	(Hex socket head cap screws, special low head, black, M5x10, kit 25 Pcs.) <i>Replaces 1437290 (25x)</i>	1
55	1579170	(Hex socket head cap screws, special low head, black, M6x6, kit 25 Pcs.) <i>Replaces 1425182 (25x)</i>	1
56	1579171	(Hex socket head cap screws, special low head, black, M6x16, kit 25 Pcs.) <i>Replaces 1541181 (25x)</i>	1
57	1579172	(Hex socket head cap screws, special low head, black, M6x20, kit 25 Pcs.) <i>Replaces 107.1022 (25x)</i>	1
58	1579173	(Hex socket head cap screws, spec.Low head, black, TufLok, M5x6, kit 10 Pcs.) <i>Replaces 1532039 (10x)</i>	1
59	1579174	(Hex socket head cap screws, spec.Low head, black, TufLok, M6x10, kit 10 Pcs.) <i>Replaces 1420946 (10x)</i>	1



1	1579175	(Countersunk head screws partially threaded, Black, M5x45, kit 10 Pcs.) <i>Replaces 1438773 (10x)</i>	1
2	1579176	(Countersunk head screws partially threaded, Black, M6x35, kit 10 Pcs.) <i>Replaces 107.1004 (10x)</i>	1
3	1579177	(Countersunk head screws partially threaded, Black, M6x45, kit 10 Pcs.) <i>Replaces 100.3133 (10x)</i>	1
4	1579178	(Countersunk head screws fully threaded, Black, M5x6, kit 25 Pcs.) <i>Replaces 1445273 (25x)</i>	1
5	1579179	(Countersunk head screws fully threaded, Black, M5x10, kit 25 Pcs.) <i>Replaces 100.3082 (25x)</i>	1
6	1579180	(Countersunk head screws fully threaded, Black, M5x12, kit 25 Pcs.) <i>Replaces 1438999 (25x)</i>	1
7	1579181	(Countersunk head screws fully threaded, Black, M5x14, kit 25 Pcs.) <i>Replaces 107.1015 (25x)</i>	1
8	1579182	(Countersunk head screws fully threaded, Black, M5x16, kit 25 Pcs.) <i>Replaces 100.3085 (25x)</i>	1
9	1579183	(Countersunk head screws fully threaded, Black, M5x18, kit 25 Pcs.) <i>Replaces 100.3086 (25x)</i>	1
10	1579184	(Countersunk head screws fully threaded, Black, M5x20, kit 25 Pcs.) <i>Replaces 100.3087 (25x)</i>	1
11	1579185	(Countersunk head screws fully threaded, Black, M5x22, kit 25 Pcs.) <i>Replaces 1416930 (25x)</i>	1
12	1579186	(Countersunk head screws fully threaded, Black, M5x25, kit 25 Pcs.) <i>Replaces 100.3089 (25x)</i>	1
13	1579187	(Countersunk head screws fully threaded, Black, M5x35, kit 25 Pcs.) <i>Replaces 100.3091 (25x)</i>	1
14	1579188	(Countersunk head screws fully threaded, Black, M5x40, kit 25 Pcs.) <i>Replaces 1432148 (25x)</i>	1
15	1579189	(Countersunk head screws fully threaded, Black, M5x50, kit 25 Pcs.) <i>Replaces 100.3094 (25x)</i>	1
16	1579190	(Countersunk head screws fully threaded, Black, M5x55, kit 25 Pcs.) <i>Replaces 100.3095 (25x)</i>	1
17	1579191	(Countersunk head screws fully threaded, Black, M6x16, kit 25 Pcs.) <i>Replaces 100.3125 (25x)</i>	1
18	1579192	(Countersunk head screws full.Threaded, zinc flake coat., M6x20, kit 25 Pcs.) <i>Replaces 100.3127 (25x)</i>	1

**(Countersunk screws)**

18	1579193	(Countersunk head screws fully threaded, Black, M6x20, kit 25 Pcs.) <i>Replaces 1437809 (25x)</i>	1
19	1579194	(Countersunk head screws fully threaded, Black, M6x25, kit 25 Pcs.) <i>Replaces 100.3129 (25x)</i>	1
20	1579195	(Countersunk head screws fully threaded, Black, M6x30, kit 25 Pcs.) <i>Replaces 100.3130 (25x)</i>	1
21	1579196	(Countersunk head screws fully threaded, Black, M6x40, kit 25 Pcs.) <i>Replaces 100.3132 (25x)</i>	1
22	1579197	(Countersunk head screws fully threaded, Black, M6x50, kit 25 Pcs.) <i>Replaces 100.3134 (25x)</i>	1
23	1579198	(Countersunk head screws fully threaded, Black, M6x55, kit 25 Pcs.) <i>Replaces 100.3135 (25x)</i>	1
24	1579199	(Countersunk head screws fully threaded, Black, M6x60, kit 25 Pcs.) <i>Replaces 100.3136 (25x)</i>	1
25	1579200	(Countersunk head screws fully threaded, Black, TufLok, M6x30, kit 25 Pcs.) <i>Replaces 1550479 (25x)</i>	1
26	1579201	(Countersunk head screws fully threaded, zi.Blue, M3x8, kit 25 Pcs.) <i>Replaces 1529279 (25x)</i>	1
27	1579202	(Countersunk head PT screws, Torx, stainless steel, 3x8, kit 25 Pcs.) <i>Replaces 1529278 (25x)</i>	1
28	1579203	(Countersunk head PT screws, Black, KA40x12, kit 25 Pcs.) <i>Replaces 1438513 (25x)</i>	1
29	1579204	(Countersunk head tapping screws with cone end, Black, ST2,9x6,5, kit 25 Pcs.) <i>Replaces 126.5041 (25x)</i>	1
30	1579205	(Countersunk head tapping screws with cone end, Black, ST4,8x16, kit 25 Pcs.) <i>Replaces 126.5202 (25x)</i>	1
31	1579206	(Countersunk head tapping screws with cone end, Black, ST4,8x38, kit 25 Pcs.) <i>Replaces 126.5207 (25x)</i>	1

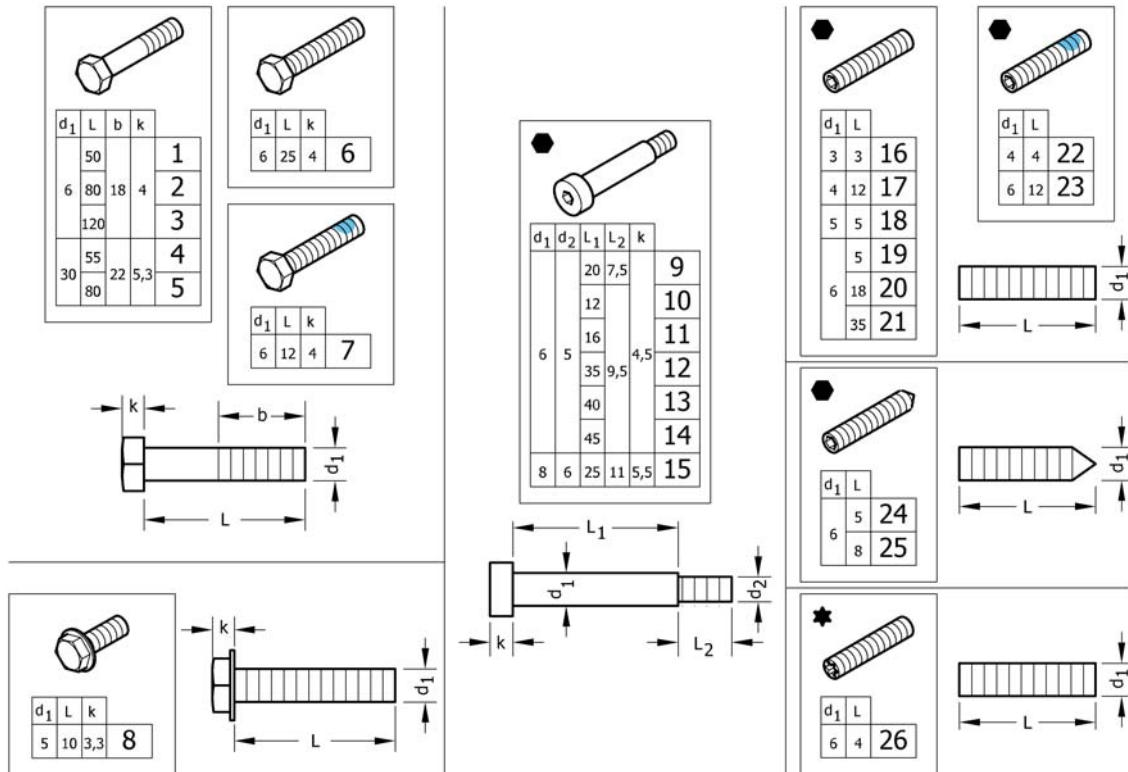
**(Button head screws)**

1	1579259	(Hex sock.Button head cap screws partially thread., Black, M6x45, kit 25 Pcs.) <i>Replaces 1438507 (25x)</i>	1
2	1579260	(Hex socket button head cap screws fully threaded, Black, M5x16, kit 25 Pcs.) <i>Replaces 1445341-0003 (25x)</i>	1
3	1579261	(Hex socket button head cap screws fully threaded, Black, M5x25, kit 25 Pcs.) <i>Replaces 107.1021 (25x)</i>	1
4	1579262	(Hex socket button head cap screws fully threaded, Black, M5x40, kit 25 Pcs.) <i>Replaces 1445101-0003 (25x)</i>	1
5	1579263	(Hex socket button head cap screws fully threaded, Black, M6x20, kit 25 Pcs.) <i>Replaces 1439153 (25x)</i>	1
6	1579264	(Hex socket button head cap screws fully threaded, Black, M6x34, kit 25 Pcs.) <i>Replaces 1438506-0003 (25x)</i>	1
7	1579265	(Hex socket button head cap screws fully threaded, Black, M6x40, kit 25 Pcs.) <i>Replaces 1439530-0003 (25x)</i>	1
8	1579266	(Hex socket button head cap screws fully threaded, Black, M6x50, kit 25 Pcs.) <i>Replaces 1439531-0003 (25x)</i>	1
9	1579267	(Hex sock.But.Head cap screws full.Thread., Black, TufLok, M6x25, kit 25 Pcs.) <i>Replaces 1438505 (25x)</i>	1
10	1579268	(Button head socket cap screws with flange, Black, M5x8, kit 25 Pcs.) <i>Replaces 1536268 (25x)</i>	1
11	1579269	(Button head socket cap screws with flange, Black, M5x12, kit 25 Pcs.) <i>Replaces 1529290 (25x)</i>	1
12	1579270	(Button head socket cap screws with flange, Black, M5x16, kit 25 Pcs.) <i>Replaces 1445102-0003 (25x)</i>	1
13	1579271	(Button head socket cap screws with flange, Black, M6x12, kit 25 Pcs.) <i>Replaces 1432204 (25x)</i>	1
14	1579272	(Round washer head PT® screws, form H, zinc plated blue, M5x16, kit 25 Pcs.) <i>Replaces 1536057 (25x)</i>	1

## (Button head screws)

---

15	1579273	(Pan head PT screws, form H, zinc plated blue, M3x10, kit 25 Pcs.) <i>Replaces ZM003510A (25x)</i>	1
16	1579274	(Pan head PT screws, Torx, Black, M5x20, kit 25 Pcs.) <i>Replaces 1424569 (25x)</i>	1
17	1579275	(Slotted machine screws, Black, M5x10, kit 25 Pcs.) <i>Replaces 102.2083 (25x)</i>	1



1	1579276	(Hex head bolts partially threaded, Black, M6x50, kit 10 Pcs.) <i>Replaces 101.1134 (10x)</i>	1
2	1579277	(Hex head bolts partially threaded, Black, M6x80, kit 10 Pcs.) <i>Replaces 1438508 (10x)</i>	1
3	1579278	(Hex head bolts partially threaded, Black, M6x120, kit 10 Pcs.) <i>Replaces 1438509 (10x)</i>	1
4	1579279	(Hex head bolts partially threaded, Black, M8x55, kit 10 Pcs.) <i>Replaces 101.1174 (10x)</i>	1
5	1579280	(Hex head bolts partially threaded, Black, M8x80, kit 10 Pcs.) <i>Replaces 101.1179 (10x)</i>	1
6	1579281	(Hex head screws fully threaded, Black, M6x25, kit 10 Pcs.) <i>Replaces 1437299 (10x)</i>	1
7	1579282	(Hex head screws fully threaded, Black, TufLok, M6x12, kit 10 Pcs.) <i>Replaces 1564245 (10x)</i>	1
8	1579283	(Hex flange head machine screws with flange Black, M5x10, kit 10 Pcs.) <i>Replaces 107.1014 (10x)</i>	1
9	1579295	(Hex socket head shoulder bolts, Black, Ø6x20 / M5, kit 4 Pcs.) <i>Replaces 1488934-0003 (4x)</i>	1
10	1579296	(Hex socket head shoulder bolts, Black, Ø6x12 / M5, kit 4 Pcs.) <i>Replaces 1564246 (4x)</i>	1
11	1579297	(Hex socket head shoulder bolts, Black, Ø6x16 / M5, kit 4 Pcs.) <i>Replaces 1529291 (4x)</i>	1
12	1579298	(Hex socket head shoulder bolts, Black, Ø6x35 / M5, kit 4 Pcs.) <i>Replaces 1496034 (4x)</i>	1
13	1579299	(Hex socket head shoulder bolts, Black, Ø6x40 / M5, kit 4 Pcs.) <i>Replaces 107.1023 (4x)</i>	1
14	1579300	(Hex socket head shoulder bolts, Black, Ø6x45 / M5, kit 4 Pcs.) <i>Replaces 1496030 (4x)</i>	1
15	1579301	(Hex socket head shoulder bolts, Black, Ø8x25 / M6, kit 4 Pcs.) <i>Replaces ZM008252A (4x)</i>	1
16	1579284	(Hex socket set screws with flat point, Black, M3x3, kit 25 Pcs.) <i>Replaces 116.1001 (25x)</i>	1
17	1579285	(Hex socket set screws with flat point, Black, M4x12, kit 25 Pcs.) <i>Replaces 116.1046 (25x)</i>	1
18	1579286	(Hex socket set screws with flat point, zinc plated blue, M5x5, kit 25 Pcs.) <i>Replaces 116.1081 (25x)</i>	1

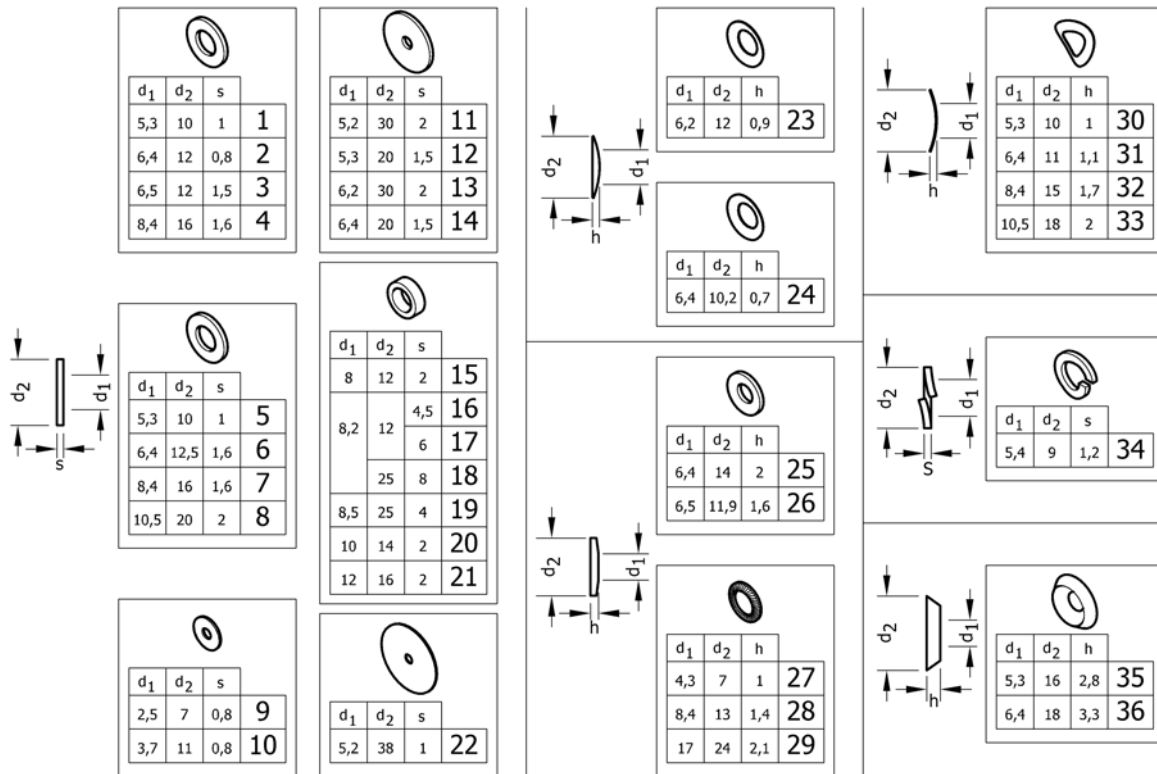
**(Hex-head screws, diverse, ...)**

---

19	1579287	(Hex socket set screws with flat point, Black, M6x5, kit 25 Pcs.) <i>Replaces 1437272 (25x)</i>	1
20	1579288	(Hex socket set screws with flat point, zinc plated blue, M6x18, kit 25 Pcs.) <i>Replaces 1559106 (25x)</i>	1
21	1579289	(Hex socket set screws with flat point, Black, M6x35, kit 25 Pcs.) <i>Replaces 116.1133 (25x)</i>	1
22	1579290	(Hex socket set screws with flat point, Black, TufLok, M4x4, kit 10 Pcs.) <i>Replaces 1493792 (10x)</i>	1
23	1579291	(Hex socket set screws with flat point, Z.Plat.Bl., TufLok, M6x12, kit 10Pcs.) <i>Replaces 1439057 (10x)</i>	1
24	1579292	(Hex socket set screws with cone point, Black, M6x5, kit 25 Pcs.) <i>Replaces 116.2121 (25x)</i>	1
25	1579293	(Hex socket set screws with cone point, Black, M6x8, kit 25 Pcs.) <i>Replaces 116.2123 (25x)</i>	1
26	1579294	(Screws with cup point, Torx, zinc plated blue, M6x4, kit 25 Pcs.) <i>Replaces 1567763 (25x)</i>	1



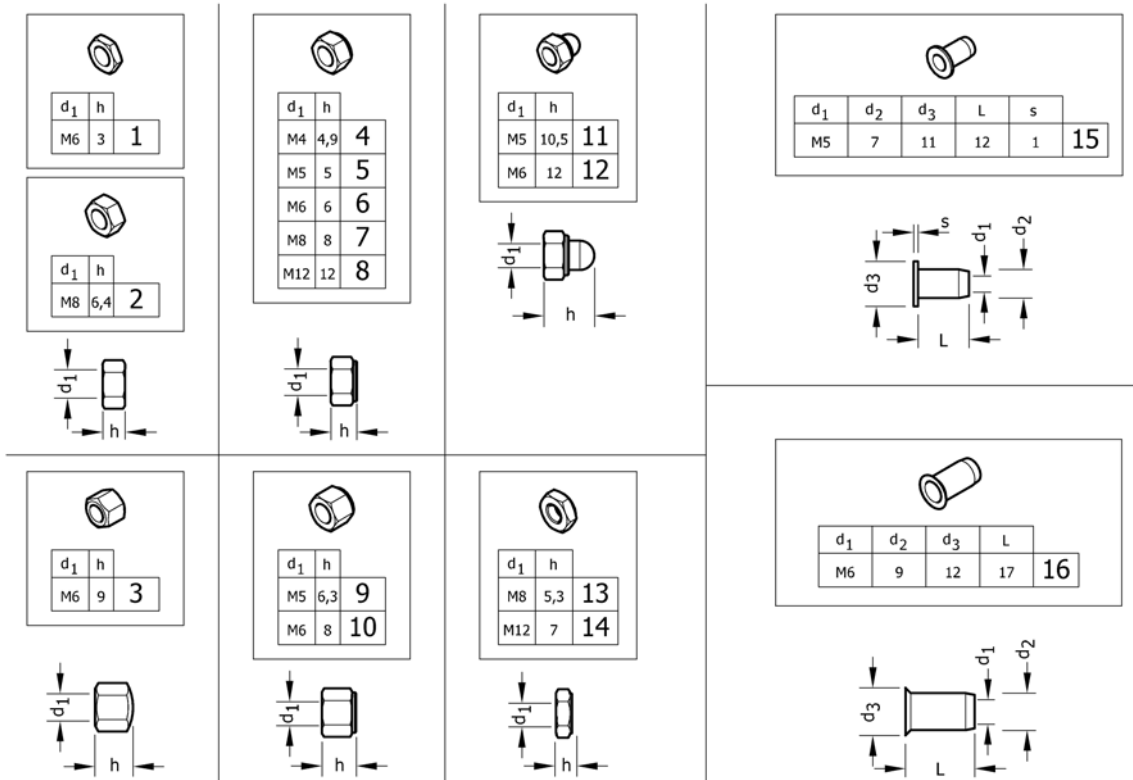
# (Washers)



1	1579225	(Flat washers without chamfer, black, 5,3x10x1, kit 50 Pcs.) <i>Replaces 150.1004 (50x)</i>	1
2	1579226	(Flat washers without chamfer, black, 6,4x12x0,8, kit 50 Pcs.) <i>Replaces 150.2001 (50x)</i>	1
3	1579227	(Flat washers without chamfer, zinc plated blue, 6,5x12x1,5, kit 50 Pcs.) <i>Replaces 5729091 (50x)</i>	1
4	1579228	(Flat washers without chamfer, black, 8,4x16x1,6, kit 50 Pcs.) <i>Replaces 150.1012 (50x)</i>	1
5	1579229	(Flat washers without chamfer, polyamide, 5,3x10x1, kit 50 Pcs.) <i>Replaces 150.3003 (50x)</i>	1
6	1579230	(Flat washers without chamfer, polyamide, 6,4x12,5x1,6, kit 50 Pcs.) <i>Replaces 150.3004 (50x)</i>	1
7	1579231	(Flat washers without chamfer, polyamide, 8,4x16x1,6, kit 50 Pcs.) <i>Replaces 150.3005 (50x)</i>	1
8	1579232	(Flat washers without chamfer, polyamide, 10,5x20x2, kit 50 Pcs.) <i>Replaces 150.3006 (50x)</i>	1
9	1579233	(Flat washers without chamfer, zinc plated blue, 2,5x7x0,8, kit 50 Pcs.) <i>Replaces 150.2012 (50x)</i>	1
10	1579234	(Flat washers without chamfer, zinc plated blue, 3,7x11x0,8, kit 50 Pcs.) <i>Replaces ZM203501A (50x)</i>	1
11	1579235	(Flat washers without chamfer, black, 5,2x30x2, kit 20 Pcs.) <i>Replaces 150.2006 (20x)</i>	1
12	1579236	(Flat washers without chamfer, black, 5,3x20x1,5, kit 50 Pcs.) <i>Replaces 150.2010 (50x)</i>	1
13	1579237	(Flat washers without chamfer, black, 6,2x30x2, kit 20 Pcs.) <i>Replaces 150.2009 (20x)</i>	1
14	1579238	(Flat washers without chamfer, black, 6,4x25x1,5, kit 50 Pcs.) <i>Replaces 1451753 (50x)</i>	1
15	1579239	(Hinge rings, black, 8x12x2, kit 50 Pcs.) <i>Replaces 150.5002 (50x)</i>	1
16	1579240	(Distance sleeve, alu, 8,2x12x4,5, kit 20 Pcs.) <i>Replaces 1420970 (20x)</i>	1
17	1579241	(Distance sleeve, alu, 8,2x12x6, kit 20 Pcs.) <i>Replaces 1420969 (20x)</i>	1
18	1581292	(Distance sleeve, alu, 8,2x25x8, kit 2 Pcs.) <i>Replaces 151.1002 (2x)</i>	1

**(Washers)**

19	1583052	(Distance sleeve, alu, black, 8,5x25x4, kit 10 Pcs.) <i>Replaces 151.1014 (10x)</i>	1
20	1579242	(Hinge rings, zinc plated blue, 10x14x2, kit 50 Pcs.) <i>Replaces 1506666 (50x)</i>	1
21	1579243	(Hinge rings, black, 12x16x2, kit 50 Pcs.) <i>Replaces 150.5006 (50x)</i>	1
22	1579244	(Rubber washers, 5,2x38x1, kit 20 Pcs.) <i>Replaces 1424891 (20x)</i>	1
23	1579245	(Disc springs, black, 6,2x12x0,9, kit 50 Pcs.) <i>Replaces 160.1015 (50x)</i>	1
24	1579246	(Conical spring washers, zinc plated blue, 6,4x10,2x0,7, kit 50 Pcs.) <i>Replaces 161.1004 (50x)</i>	1
25	1579247	(Conical spring washers, black, 6,4x14x2, kit 50 Pcs.) <i>Replaces 161.2004 (50x)</i>	1
26	1579248	(Conical spring washers, zinc plated blue, 6,5x11,9x1,6, kit 50 Pcs.) <i>Replaces ZM206001A (50x)</i>	1
27	1579249	(Ribbed lock washers, black, 4,3x7x1, kit 50 Pcs.) <i>Replaces 155.2002 (50x)</i>	1
28	1579250	(Ribbed lock washers, zinc plated blue, 8,4x13x1,4, kit 50 Pcs.) <i>Replaces 155.2005 (50x)</i>	1
29	1579251	(Ribbed lock washers, zinc plated blue, 17x24x2,1, kit 50 Pcs.) <i>Replaces 155.2009 (50x)</i>	1
30	1579252	(Curved spring washers, black, 5,3x10x1, kit 50 Pcs.) <i>Replaces 1438515 (50x)</i>	1
31	1579253	(Curved spring washers, black, 6,4x11x1,1, kit 50 Pcs.) <i>Replaces 1438516 (50x)</i>	1
32	1579254	(Curved spring washers, zinc plated blue, 8,4x15x1,7, kit 50 Pcs.) <i>Replaces ZM208003A (50x)</i>	1
33	1579255	(Curved spring washers, zinc plated blue, 10,5x18x2, kit 50 Pcs.) <i>Replaces ZM201581A (50x)</i>	1
34	1579256	(Split spring lock washers, black, 5,4x9x1,2, kit 50 Pcs.) <i>Replaces 155.1003 (50x)</i>	1
35	1579257	SKIVE FORSENKET 90G M5° 3x16x2,8 50 stk <i>Replaces 150.6003 (50x)</i>	1
36	1579258	SKIVE FORSENKET 90G M6° 4x18x3,3 50 stk <i>Replaces 150.6004 (50x)</i>	1

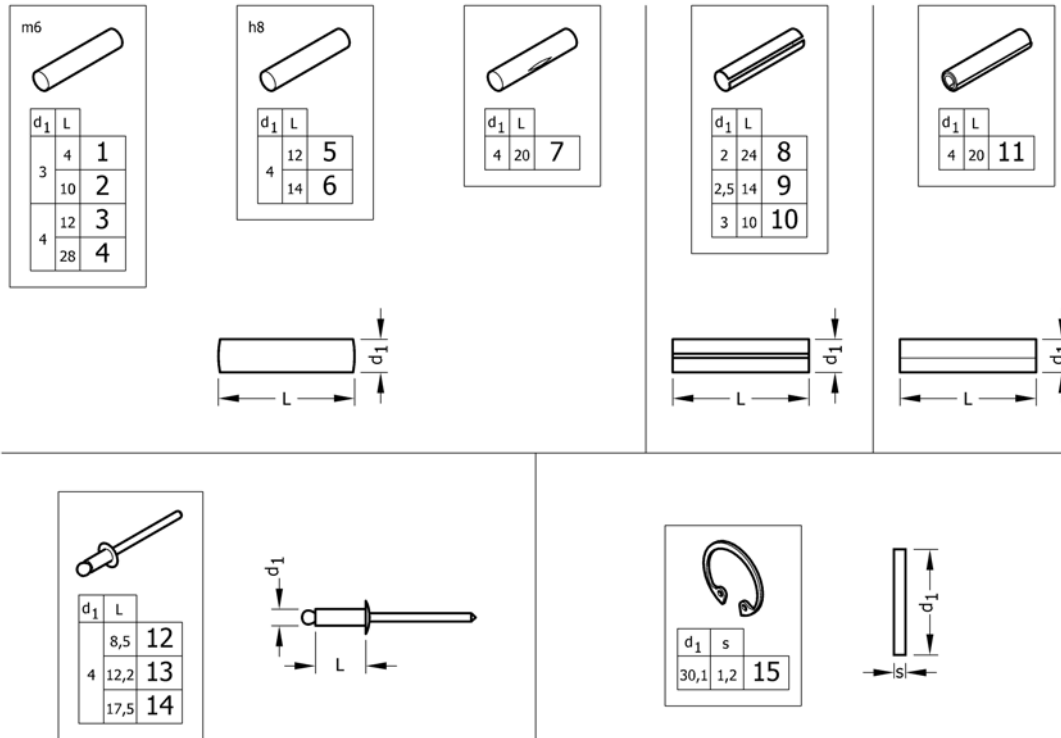


1	1579207	(Hex jam nuts, black, M6, kit 25 Pcs.) <i>Replaces 108.3004 (25x)</i>	1
2	1579208	(Hexagon nuts , black, M8, kit 25 Pcs.) <i>Replaces 1420997 (25x)</i>	1
3	1579209	(Hex cap nuts, low type, black, M6, kit 25 Pcs.) <i>Replaces 109.5009 (25x)</i>	1
4	1579210	(Prev.Torque lock nuts, thin type, with polyam.Insert, black, M4, kit 25 Pcs.) <i>Replaces 109.1002 (25x)</i>	1
5	1579211	(Prev.Torque lock nuts, thin type, with polyam.Insert, black, M5, kit 25 Pcs.) <i>Replaces 109.1003 (25x)</i>	1
5	1579212	(Prev.Torque lock nuts, thin type, with polyam.Insert, zi.Bl., M5, kit 25 Pcs.) <i>Replaces 109.5008 (25x)</i>	1
6	1579213	(Prev.Torque lock nuts, thin type, with polyam.Insert, black, M6, kit 25 Pcs.) <i>Replaces 109.1004 (25x)</i>	1
6	1579214	(Prev.Torque lock nuts, thin type, with polyam.Insert, zi.Bl., M6, kit 25 Pcs.) <i>Replaces ZM106001A (25x)</i>	1
7	1579215	(Prev.Torque lock nuts, thin type, with polyam.Insert, black, M8, kit 25 Pcs.) <i>Replaces 109.1005 (25x)</i>	1
8	1579216	(Prev.Torque lock nuts, thin type, with polyam.Insert, black, M12, kit 4 Pcs.) <i>Replaces 109.1007 (4x)</i>	1
9	1579217	(Preva.Torq.Hex lock nuts, high type with poly.Insert, black, M5, kit 25 Pcs.) <i>Replaces 1493771 (25x)</i>	1
10	1579218	(Preva.Torq.Hex lock nuts, high type with poly.Insert, black, M6, kit 25 Pcs.) <i>Replaces 109.5001 (25x)</i>	1
11	1579219	(Prevail.Torque hex domed cap nuts with polyam.Insert, black, M5, kit 25 Pcs.) <i>Replaces 109.5006 (25x)</i>	1
12	1579220	(Prevail.Torque hex domed cap nuts with polyam.Insert, black, M6, kit 25 Pcs.) <i>Replaces 109.5003 (25x)</i>	1
13	1579221	(Prevailing torque hex lock nuts, all-metal, thin typeblack, M8, kit 10 Pcs.) <i>Replaces 109.5005 (10x)</i>	1

**(Nuts)**

---

14	1579222	(Prevailing torque hex lock nuts, all-metal, thin typeblack, M12, kit 4 Pcs.) <i>Replaces 109.5004 (4x)</i>	1
15	1579223	(Blind rivet nuts, flat head, open type, black, M5, kit 10 Pcs.) <i>Replaces 180.4007 (10x)</i>	1
16	1579224	(Blind rivet nut with low countersunk head, open type, black, M6, kit 10 Pcs.) <i>Replaces 180.4105 (10x)</i>	1



1	1579302	(Parallel pins, Ø3x4 m6, kit 10 Pcs.) <i>Replaces 1439336 (10x)</i>	1
2	1579303	(Parallel pins, Ø3x10 m6, kit 10 Pcs.) <i>Replaces 1439337 (10x)</i>	1
3	1579304	(Parallel pins, Ø4x12 m6, kit 20 Pcs.) <i>Replaces 200.1124 (20x)</i>	1
4	1579305	(Parallel pins, Ø4x28 m6, kit 20 Pcs.) <i>Replaces 1437344 (20x)</i>	1
5	1579306	(Parallel pins, Ø4x12 h8, kit 20 Pcs.) <i>Replaces 1487663 (20x)</i>	1
6	1579307	(Parallel pins, Ø4x14 h8, kit 20 Pcs.) <i>Replaces 1487662 (20x)</i>	1
7	1579308	(Grooved pins, center grooved, Ø4x20, kit 20 Pcs.) <i>Replaces 1517718 (20x)</i>	1
8	1579309	(Slotted spring pins, heavy duty, Black, Ø2x24, kit 20 Pcs.) <i>Replaces 200.4011 (20x)</i>	1
9	1579310	(Slotted spring pins, heavy duty, Black, Ø2,5x14, kit 20 Pcs.) <i>Replaces 200.4007 (20x)</i>	1
10	1579311	(Slotted spring pins, heavy duty, stainless steel, Ø3x10, kit 20 Pcs.) <i>Replaces 1567997 (20x)</i>	1
11	1579312	(Spiral spring pins, Black, Ø4x20, kit 20 Pcs.) <i>Replaces 200.3167 (20x)</i>	1
12	1579313	(Dome head blind rivets, Ø4x8,5, kit 20 Pcs.) <i>Replaces 1439292 (20x)</i>	1
13	1579314	(Dome head blind rivets, Ø4x12,2, kit 20 Pcs.) <i>Replaces 180.5116 (20x)</i>	1
14	1579315	(Dome head blind rivets, Ø4x17,5, kit 20 Pcs.) <i>Replaces 180.5019 (20x)</i>	1
15	1579316	(Retaining rings for bores, Std.Design, Z.plat.Blue, Ø30,1X1,2, kit 20 Pcs.) <i>Replaces ZM50J281A (20x)</i>	1



Yes, you can.®



---

**Belgium & Luxemburg:**

Invacare nv, Autobaan 22, B-8210 Loppem  
Tel: (32) (0)50 83 10 10, Fax: (32) (0)50 83 10 11  
belgium@invacare.com / www.invacare.be

**Denmark:**

Invacare A/S, Sdr. Ringvej 37, DK-2605 Brøndby  
Tel: (45) (0)36 90 00 00, Fax: (45) (0)36 90 00 01  
denmark@invacare.com / www.invacare.dk

**Deutschland:**

Invacare Aquatec GmbH, Alemannenstraße 10, D-88316 Isny  
Tel: (49) (0)75 62 7 00 0, Fax: (49) (0)75 62 7 00 66  
info@invacare-aquatec.com / www.invacare-aquatec.de

**European Distributor Organisation:**

Invacare, Kleiststraße 49, D-32457 Porta Westfalica  
Tel: (49) (0)57 31 754 540, Fax: (49) (0)57 31 754 541  
edo@invacare.com / www.invacare.eu.com

**España:**

Invacare SA, c/Areny s/n, Polígon Industrial de Celrà, E-17460 Celrà (Girona)  
Tel: (34) (0)972 49 32 00, Fax: (34) (0)972 49 32 20  
contactsp@invacare.com / www.invacare.es

**France:**

Invacare Poirier SAS, Route de St Roch, F-37230 Fondettes  
Tel: (33) (0)2 47 62 64 66, Fax: (33) (0)2 47 42 12 24  
contactfr@invacare.com / www.invacare.fr

**Ireland:**

Invacare Ireland Ltd, Unit 5 Seatown Business Campus, Seatown Road, Swords, County Dublin - Ireland  
Tel: (353) 1 810 7084, Fax: (353) 1 810 7085  
ireland@invacare.com / www.invacare.ie

**Italia:**

Invacare Mecc San s.r.l., Via dei Pini 62, I-36016 Thiene (VI)  
Tel: (39) 0445 38 00 59, Fax: (39) 0445 38 00 34  
italia@invacare.com / www.invacare.it

**Nederland:**

Invacare BV, Celsiusstraat 46, NL-6716 BZ Ede  
Tel: (31) (0)318 695 757, Fax: (31) (0)318 695 758  
nederland@invacare.com, csede@invacare.com / www.invacare.nl

**Norge:**

Invacare AS, Grensesvingen 9, Postboks 6230, Etterstad, N-0603 Oslo  
Tel: (47) (0)22 57 95 00, Fax: (47) (0)22 57 95 01  
norway@invacare.com, island@invacare.com / www.invacare.no

**Österreich:**

Invacare Austria GmbH, Herzog Odilostrasse 101, A-5310 Mondsee  
Tel: (43) 6232 5535 0, Fax: (43) 6232 5535 4  
info-austria@invacare.com / www.invacare.at

**Portugal:**

Invacare Lda, Rua Estrada Velha, 949, P-4465-784 Leça do Balio  
Tel: (351) (0)225 1059 46/47, Fax: (351) (0)225 1057 39  
portugal@invacare.com / www.invacare.pt

**Sverige & Suomi:**

Invacare AB, Fagerstagatan 9, S-163 91 Spånga  
Tel: (46) (0)8 761 70 90, Fax: (46) (0)8 761 81 08  
sweden@invacare.com, finland@invacare.com / www.invacare.se

**Switzerland:**

Invacare AG, Benkenstrasse 260, CH-4108 Witterswil  
Tel: (41) (0)61 487 70 80, Fax: (41) (0)61 487 70 81  
switzerland@invacare.com / www.invacare.ch

**United Kingdom:**

Invacare Limited, Pencoed Technology Park, Pencoed, Bridgend CF35 5AQ  
Switchboard Tel: (44) (0)1656 776200, Fax: (44) (0)1656 776201  
Customer services Tel: (44) (0)1656 776222, Fax: (44) (0)1656 776220  
uk@invacare.com / www.invacare.co.uk