

Invacare Top End Pro BB Wheelchair - Price List and Order Form

For accuracy of ordering, please fax order to Top End at 727-522-1007 or e-mail to:
 TopEndOrders@invacare.com / For questions call 800-532-8677 or 727-522-8677
 To order Literature: 800-828-6282 www.topendwheelchair.com



Provider name: _____ Account number: _____
 PO number: _____
 Phone number: _____ Fax number: _____
 Address: _____
 Customer name: _____ Phone number: _____
 Address: _____
 Ship to: Provider Customer (Order will be shipped to provider unless otherwise noted)

DATE:

QUOTE

ORDER

- Please indicate your choice with a cross in this square
 Indicate that this option has no upcharge

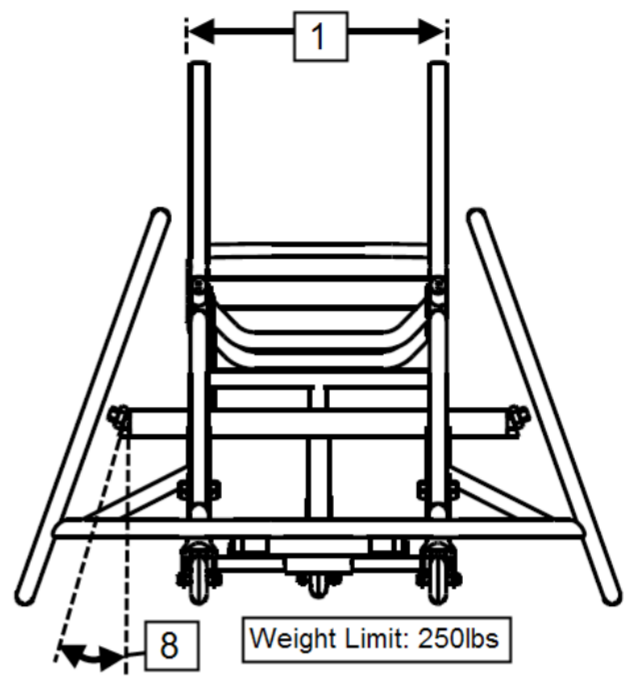
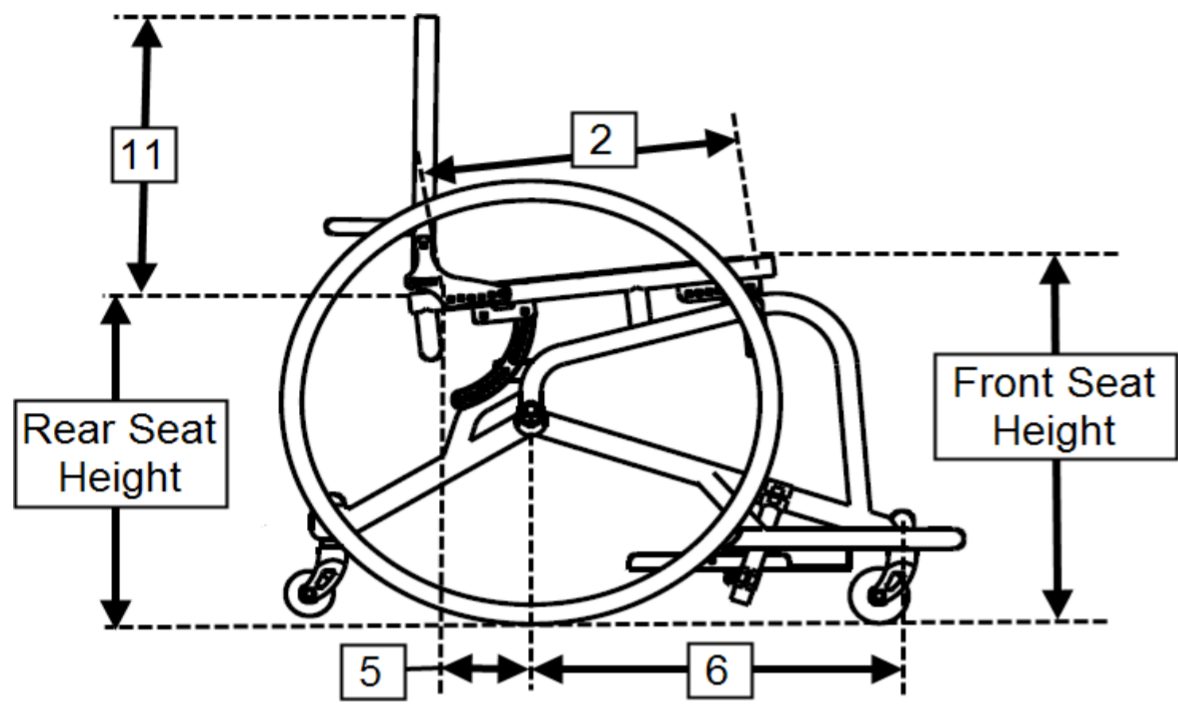
Manual Sport Wheelchair
 Effective January 15, 2010 - Revised July 1, 2013

Item	Description	Comments and/or non compatibilities information	Price
<input type="checkbox"/> SPBB	Top End Pro Basket-Ball Aluminium wheelchair		\$
SEATING OPTIONS			
Seat width			
<input type="checkbox"/>	Seat width 10" (approx. 254 mm)	Delivered with an oval sport footplate without toe-stops	<input type="radio"/>
<input type="checkbox"/>	Seat width 11" (approx. 279 mm)	Delivered with an oval sport footplate without toe-stops	<input type="radio"/>
<input type="checkbox"/>	Seat width 12" (approx. 305 mm)	Delivered with an oval sport footplate without toe-stops	<input type="radio"/>
<input type="checkbox"/>	Seat width 13" (approx. 330 mm)		<input type="radio"/>
<input type="checkbox"/>	Seat width 14" (approx. 356 mm)		<input type="radio"/>
<input type="checkbox"/>	Seat width 15" (approx. 381 mm)		<input type="radio"/>
<input type="checkbox"/>	Seat width 16" (approx. 406 mm)		<input type="radio"/>
<input type="checkbox"/>	Seat width 17" (approx. 432 mm)		<input type="radio"/>
<input type="checkbox"/>	Seat width 18" (approx. 457 mm)		<input type="radio"/>
<input type="checkbox"/>	Seat width 19" (approx. 483 mm)		<input type="radio"/>
<input type="checkbox"/>	Seat width 20" (approx. 508 mm)		<input type="radio"/>
Seat depth			
<input type="checkbox"/>	Seat depth 12" (approx. 305 mm)		<input type="radio"/>
<input type="checkbox"/>	Seat depth 13" (approx. 330 mm)		<input type="radio"/>
<input type="checkbox"/>	Seat depth 14" (approx. 356 mm)		<input type="radio"/>
<input type="checkbox"/>	Seat depth 15" (approx. 381 mm)		<input type="radio"/>
<input type="checkbox"/>	Seat depth 16" (approx. 406 mm)		<input type="radio"/>
<input type="checkbox"/>	Seat depth 17" (approx. 432 mm)		<input type="radio"/>
<input type="checkbox"/>	Seat depth 18" (approx. 457 mm)		<input type="radio"/>
Standard	Screw-on seat upholstery		Standard
Adjustable seat height			
<input type="checkbox"/> TALL	Front: 19-21" (approx. 483-533 mm) Rear: 15-21" (approx. 381-533 mm)	Set at 19" standard Set at 17" standard	<input type="radio"/>
<input type="checkbox"/> SHORT	Front: 17-19" (approx. 432-483 mm) Rear: 13-17" (approx. 330-432 mm)	Set at 18" standard Set at 16" standard	<input type="radio"/>
FOOTREST OPTIONS			
Standard	Platform footrest (with Velcro strap and toe stop)	Adjustments possible up/down, fore/aft and in angle	<input type="radio"/>
<input type="checkbox"/> TER124	Footrest click strap upgrade		\$
AXLE POSITION "CENTER OF GRAVITY"			
Standard	Adjustable axle position 3.5" to 6" (89 mm to 152 mm) Set at: _____ (standard 5" - 127 mm)		<input type="radio"/>
WHEEL BASE (see chart on last page)			
<input type="checkbox"/>	Short 15" (approx. 381 mm)	Recommended for seat depth 14"	<input type="radio"/>
<input type="checkbox"/> Standard	Medium 17" (approx. 432 mm)	Recommended for seat depth 15, 16"	<input type="radio"/>
<input type="checkbox"/>	Long 19" (approx. 483 mm)	Recommended for seat depth 17, 18"	<input type="radio"/>
ANTI-TIP WHEEL			
<input type="checkbox"/> Standard	Fixed single anti-tip		<input type="radio"/>
<input type="checkbox"/> TER115	Double anti-tip (swivel)	In aluminium	\$
CAMBER			
<input type="checkbox"/>	Camber 15°	No other camber available	<input type="radio"/>
<input type="checkbox"/> Standard	Camber 18°	No other camber available	<input type="radio"/>
<input type="checkbox"/>	Camber 20°	No other camber available	<input type="radio"/>
REAR WHEELS (see chart on last page)			
Rear wheels size			
<input type="checkbox"/>	24" (540)	Recommended for rear seat height 16" or less	<input type="radio"/>
<input type="checkbox"/> Standard	25" (559)	Recommended for rear seat height 16.5" to 19"	<input type="radio"/>
<input type="checkbox"/>	26" (590)	Recommended for rear seat height 19" to 21"	<input type="radio"/>

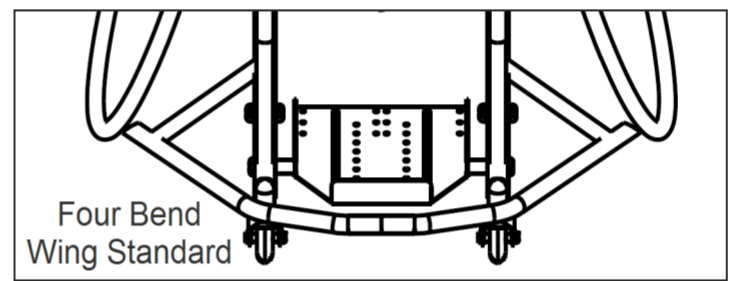
Rear wheels type				
<input type="checkbox"/>		Sun® High Performance	Delivered with high pressure Primo tyres	○
<input type="checkbox"/>	TER131	Spinergy® SLX	24 spokes with 4 mm diameter	\$
<input type="checkbox"/>	TER67	Spinergy® Spox	24 spokes with 3 mm diameter	\$
<input type="checkbox"/>	TER143	Sun® Equalizer Sport	24" wheels: 36 spokes and 6 tabs pushrims 25/26": 48 spokes, cross lacing pattern with 12 tab pushrims	\$
Spoke color (only for Spinergy® wheels)				
<input type="checkbox"/>	Standard	Black		○
<input type="checkbox"/>		Yellow		○
<input type="checkbox"/>	TER202	White		\$
<input type="checkbox"/>	TER202	Red		\$
<input type="checkbox"/>	TER202	Blue		\$
Tires				
<input type="checkbox"/>	TER101	Kenda® tires red		\$
<input type="checkbox"/>	TER101	Kenda® tires yellow		\$
<input type="checkbox"/>	Standard	High pressure Primo tires		○
Spoke guards				
<input type="checkbox"/>	TER21	Spoke guards clear		\$
<input type="checkbox"/>	TER21	Spoke guards black		\$
ANODIZED ALUMINIUM PUSHRIMS				
Mounting position				
<input type="checkbox"/>	Standard	Standard mount		○
<input type="checkbox"/>		Close mount		○
Pushrims options				
<input type="checkbox"/>	TER40	Cut tabs aluminium pushrims	Only for close mount pushrims mounting position	\$
<input type="checkbox"/>	TER129	12-tab upgrade	Only for Spinergy® wheels	\$
BACKREST				
Backrest type				
<input type="checkbox"/>	Standard	Fixed: non folding, angle adjustable	With adjustable tension back upholstery	○
<input type="checkbox"/>	TER3	Folding back	With adjustable tension back upholstery	\$
Backrest height ranges				
<input type="checkbox"/>		Short 9"-11" (229-279 mm)		○
<input type="checkbox"/>		Low 11"-14" (279-356 mm)		○
<input type="checkbox"/>		Medium 14"-18" (356-457 mm)		○
SIDE GUARDS				
<input type="checkbox"/>	Standard	Without		○
<input type="checkbox"/>	TER95	Clamp-on fixed aluminium side guards	Fixed back only	\$
<input type="checkbox"/>	TED121	Fold-in aluminium side guards		\$
SAFETY AND COMFORT OPTIONS				
<input type="checkbox"/>	TER14	Cushion, soft, 2" (approx. 508 mm)		\$
<input type="checkbox"/>	TER14	Cushion, soft, 3" (approx. 762 mm)		\$
<input type="checkbox"/>	TER33	Cushion, hard, 2" (approx. 508 mm)		\$
<input type="checkbox"/>	TER33	Cushion, hard, 3" (approx. 762 mm)		\$
<input type="checkbox"/>	TER148	Basketball chair carrying bag		\$
<input type="checkbox"/>	TER149	Back upholstery upgrade: 3" leather flap alu plugs		\$
<input type="checkbox"/>	TER35	Frame protector - rear	Required for tournament play	\$
<input type="checkbox"/>	TER126	Click-strap large	Pad length approx. 12" (305 mm)	\$
<input type="checkbox"/>	TER125	Click-strap medium	Pad length approx. 10" (254 mm)	\$
<input type="checkbox"/>	TER124	Click-strap small	Pad length approx. 8" (203 mm)	\$
<input type="checkbox"/>	TED72	Positioning stap - hook & loop		\$
<input type="checkbox"/>	TER128	Metal O-Ring positioning belt		\$
<input type="checkbox"/>	RACE22	Top End T-Shirt Size L		\$
<input type="checkbox"/>	RACE22	Top End T-Shirt Size XL		\$
UPHOLSTERY COLOR				
<input type="checkbox"/>	Standard	Black		○
<input type="checkbox"/>	UPH1	Woodland Camouflage		\$
<input type="checkbox"/>	UPH2	Digital Desert Camouflage		\$
FRAME COLOR				
Contemporary colors				
<input type="checkbox"/>		Wet black		○
<input type="checkbox"/>		White snow		○
<input type="checkbox"/>		Silver metallic		○
<input type="checkbox"/>		Stealth black		○
Way cool colors				
<input type="checkbox"/>		Electric blue		○
<input type="checkbox"/>		Midnight blue		○
<input type="checkbox"/>		Grasshopper green		○

Too hot colors			
<input type="checkbox"/>		Tangerine red	<input type="radio"/>
<input type="checkbox"/>		Electric red	<input type="radio"/>
<input type="checkbox"/>		Grape Madness	<input type="radio"/>
<input type="checkbox"/>		Safety yellow	<input type="radio"/>
<input type="checkbox"/>		Orange	<input type="radio"/>
<input type="checkbox"/>		Bubblegum pink	<input type="radio"/>

ADDITIONAL INFORMATION & MEASURING GUIDE



- 1 Seat width measurement
- 2 Seat depth measurement
- 5 Center of gravity measurement
- 6 Wheelbase measurement
- 8 Wheel camber measurement
- 11 Backrest height measurement



Wheel Base Guide			
Seat Depth	14"	15", 16"	17", 18"
Recommended Wheel Base	15" (Short)	17" (Med)	19" (Long)

wheel base guide

Wheel Size Guide			
Rear Seat Height	16.0" or less	16.5" - 19.0"	19.0" - 21.0"
Recommended Wheel Size	24"(540)	25"(559)	26"(590)

wheel size guide

Invacare Corporation: www.invacare.com
 TOP END
 Sports and Recreation Products
 4501 63rd Circle North Pinellas Park, FL USA (33781-5914)

All rights reserved. Trademarks are identified by the symbols ™ and ®. All trademarks are owned by or licensed to Invacare Corporation unless otherwise noted.
 Spinerigy is a registered trademark for Spinerigy Corp., Sun is a registered trademark of Sun Components Inc.
 Kenda is a registered trademark of Cane Creek Cycling Components.
 SRM is a registered trademark of Kenda Rubber Industrial Co. Ltd.
 Specifications and prices are subject to change without notification.
 ©2011 Invacare Corporation

Form No. 10-001 Rev 07.13

