

Spare Parts Catalogue

Version: 2015/05/21a NO



Invacare® Birdie™



Yes, you can.®

General Information

For any order of spare parts the following information is required:

- Product type*
- Product name & model*
- Serial Number*
- Part-Number*
- Part-Description*

Exploded view drawings and code numbers are not contractual and subject to modification, in relation to Invacare® continuous product improvement policy to meet end users needs.

The reproduction or use of this work, or of any substantial part of this work, in any form or by any electronic, mechanical or other means, including photocopying, scanning and recording, and in any information storage and retrieval system, including electronic transmission, is forbidden without the prior written permission of Invacare® International Sarl.



Yes, you can.®

TABLE OF CONTENTS

Farge spesifikasjoner

(Steel and plastic colours)	5
(Wood types)	6

Understell

(Base with manual leg spread, Birdie and Birdie Compact)	7
(Pedal mechanism assembly)	8
(Pedals with rubber pads)	9
(Ø75 mm front castors, Colson)	10
(Ø100 mm front castors, Tente)	11
(Ø75 mm rear castors with brake, for manual leg spread, Colson)	12
(Ø100 mm rear castors with brake, for manual leg spread, Tente)	13
(Leg assembly)	14
(Base with electrical leg spread, Birdie / Birdie Plus)	15
(Motor for elec. leg spread, Birdie)	16
(Motor for elec. leg spread, Birdie Plus)	17
(Ø75 mm front castors, Colson)	10
(Ø100 mm front castors, Tente)	11
(Ø75 mm rear castors with brake, for elec. leg spread, Colson)	18
(Ø100 mm rear castors with brake, for elec. leg spread, Tente)	19
(Ø125 mm rear castors with brake, for elec. leg spread, Tente)	20
(Leg assembly)	14

Elektriske deler

(Control units)	21
(Motor for jib)	22
(Motor for elec. leg spread, Birdie)	16
(Motor for elec. leg spread, Birdie Plus)	17
(Hand controls for Birdie)	23

Mast og Bom

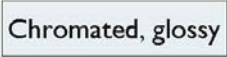

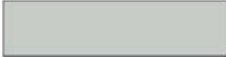

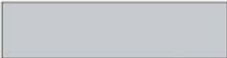
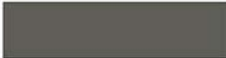


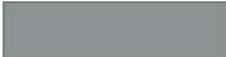
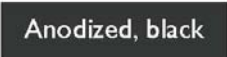


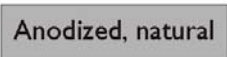







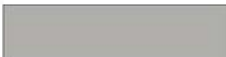



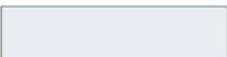
(Mast/jib assembly)	24
(Control units)	21
(Motor for jib)	22

Løftebøyle

(Spreader bar 2 points (450/550 mm))	26
(Spreader bar 4 points (450/550 mm))	27

(Accessories)

(Scale Attachment)	28
--------------------------	----




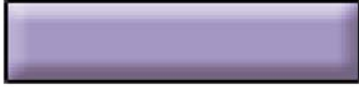

 0001	 0153	 7035
 0002	 0154	 7039
 0003	 1015	 7042
 0004	 3004	 7046
 0005	 5002	 8016
 0011	 7012	 9005
 0150	 7016	 9006
 0151	 7032	 9010
 0152	<p>NB: Colours are for reference only Not all colours are available for all products</p>	

-

(Not for separate sale - please contact Invacare)

1

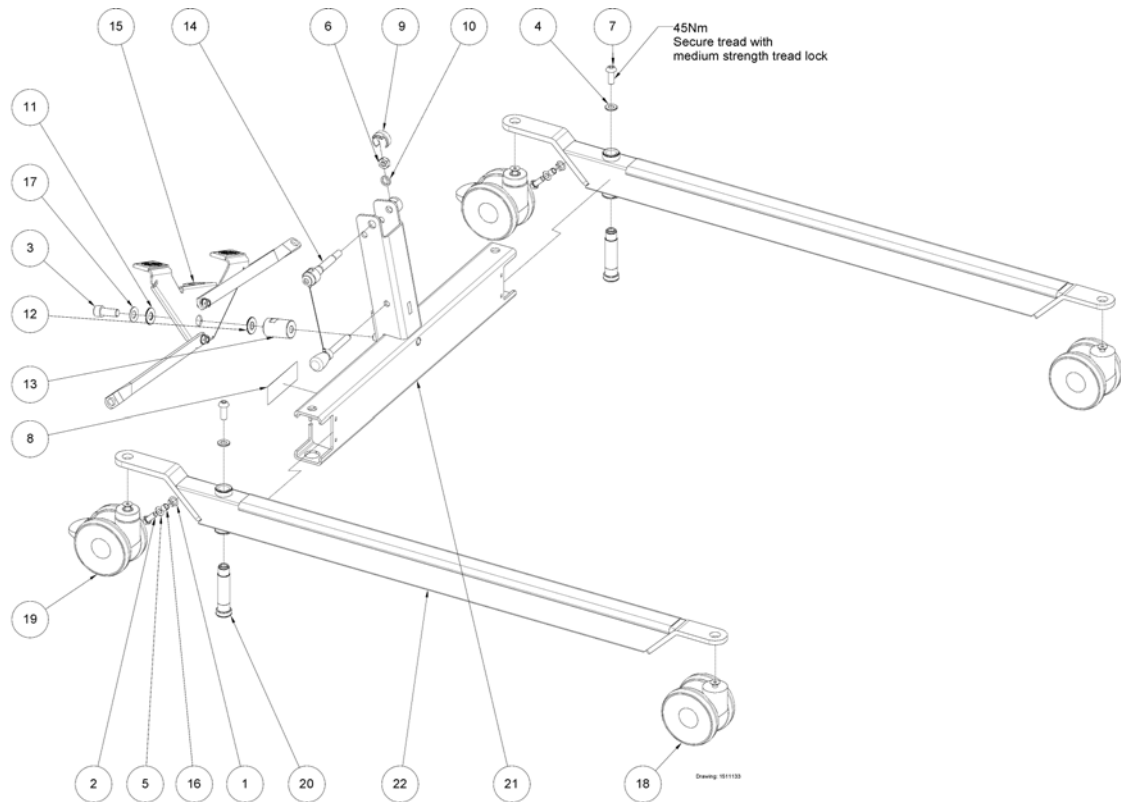
(Wood types)

 Beech	0101		0112
 Cherry	0102		0113
 Mahogany	0103		0114
 Light beech	0105		0115
	0110		0116
	0111		0117

-

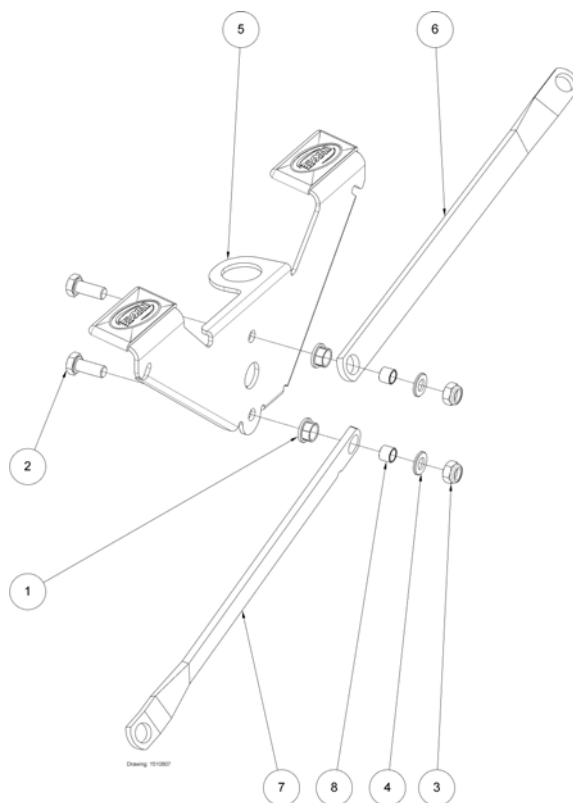
(Not for separate sale - please contact Invacare)

1

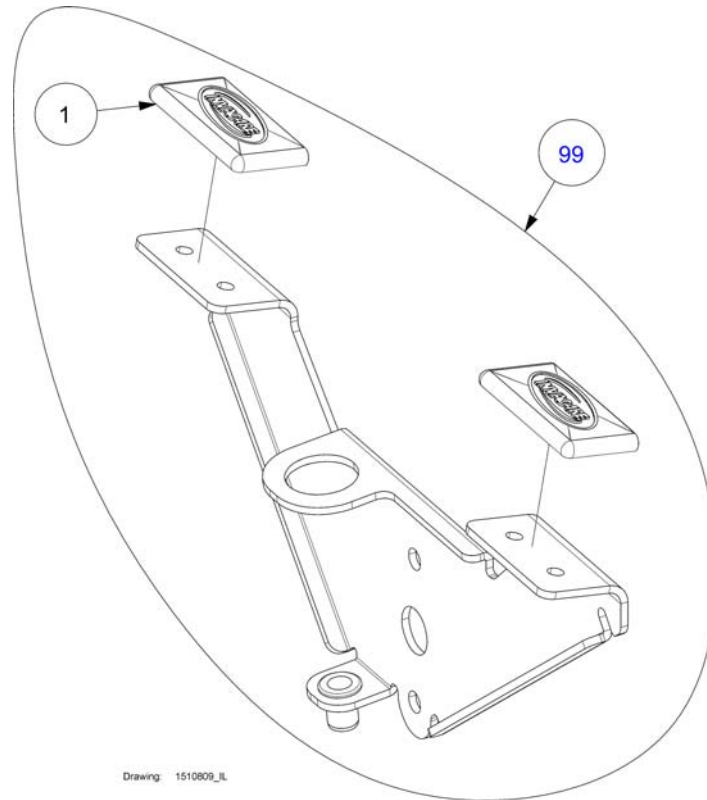
(Base with manual leg spread, Birdie and Birdie Compact)

1	SP420625-7035	(Bearing bushing Ø10,2/Ø12,9/Ø16,5x5,7 RAL 7035)	2
2	803004	(Screw M8x20)	2
3	803066	UMBRACOSKRUE TIL EC-38	1
4	SP803847	SKIVE M10	2
5	804200	(Washer ISO7090 M08 zn)	2
6	806651	LÅSEMUTTER M10	1
7	817264	(Screw M10x25 St. 10.9)	2
8	1424016	(Identification label 35x97 (silver polyester))	1
9	1509369-7012	(Nut clips on Base Birdie/Birdie Compact (1 pcs per hoist))	1
10	1510029	(Washer Ø17/Ø12,5x3 stainless)	1
11	1510215	(Washer Ø28/Ø12x2 brass)	1
12	1510216	(Washer Ø18/Ø12x3 brass)	1
13	1510217-7012	(Pedal axle for Birdie, Ø30/M12x46, RAL 7012)	1
14	1510506	(Handle kit for mast/base assembly, Birdie)	1
15	-	(Pedal mechanism assembly)	1
16	1514737	(Bushing Ø10/Ø8x8 stainless)	2
17	1514849	(Washer, spring, Ø25/Ø12,2x1,5)	1
18	-	(Ø75 mm front castors, Colson)	2
18	-	(Ø100 mm front castors, Tente)	2
19	-	(Ø75 mm rear castors with brake, for manual leg spread, Colson)	2
19	-	(Ø100 mm rear castors with brake, for manual leg spread, Tente)	2
20	1526963	(Bolt M10 special)	2
21	1528042-7012	(Base for Birdie Compact, RAL 7012)	1
21	1528043-7012	(Base for Birdie, RAL 7012)	1
22	-	(Leg assembly)	2
23	SP1545308-7012	(Padded insert plastic)	1

(Pedal mechanism assembly)

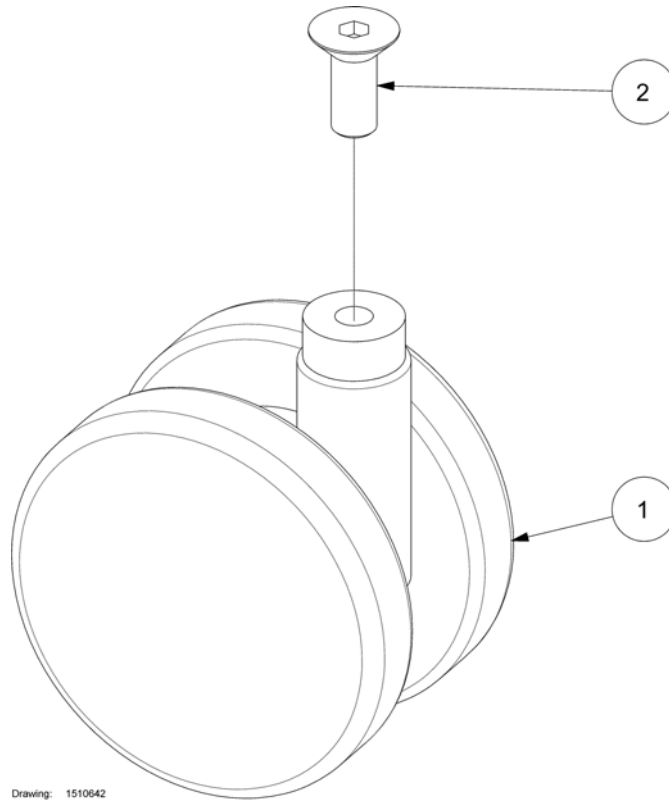


1	SP420625-7035	(Bearing bushing Ø10,2/Ø12,9/Ø16,5x5,7 RAL 7035)	2
2	803004	(Screw M8x20)	2
3	803927	LÅSEMUTTER M8	2
4	804200	(Washer ISO7090 M08 zn)	2
5	-	(Pedals with rubber pads)	1
6	1511880-7012	(Connecting rod for legs, left, Birdie compact)	1
6	1511881-7012	(Connecting rod for legs, left, Birdie, RAL 7012)	1
7	1511854-7012	(Connecting rod for legs, right, Birdie Compact, RAL 7012)	1
7	1511882-7012	(Connecting rod for legs, right, Birdie, RAL 7012)	1
8	1514737	(Bushing Ø10/Ø8x8 stainless)	2



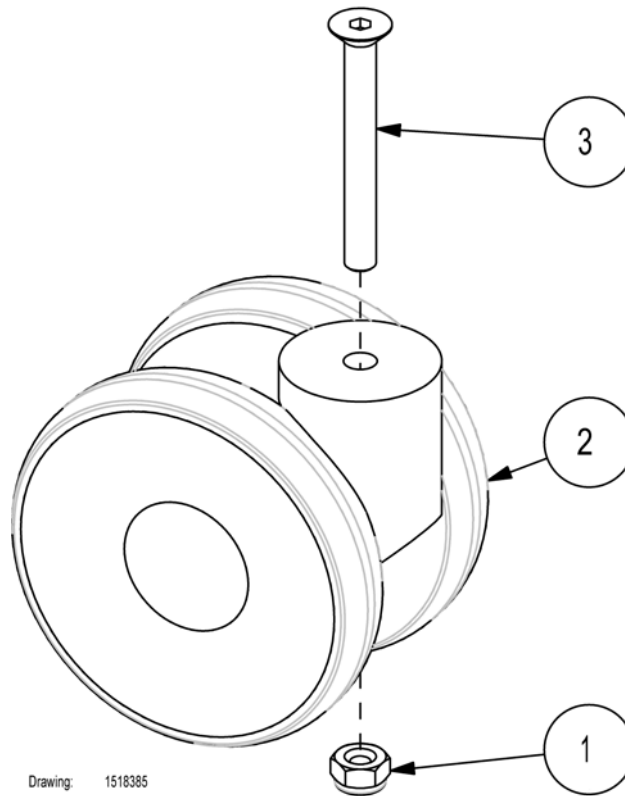
1	SP1509450-7012	(Pedal ferrule - Birdie/Birdie Compact with manuel leg opening (2 pcs per hoist))	2
99	1510809-7012	(Pedals with rubber pads, RAL 7012)	1

(Ø75 mm front castors, Colson)



1	SP1426519	(Castor 75mm for Birdie/Birdie-Compact Colson Twin Tech)	1
2	SP1426737	(Screw M8x20 St. 10.9 ISO 10642)	1

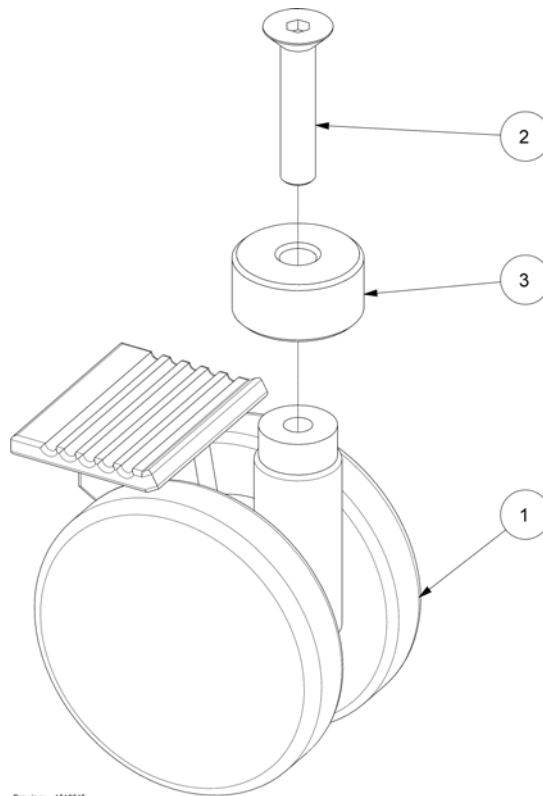
(Ø100 mm front castors, Tente)



Drawing: 1518385

1	803927	LÅSEMUTTER M8	1
2	1511489	(Castor front 100mm for Birdie)	1
3	1518383	(Screw M8x70 St. 10.9 ISO 10642)	1

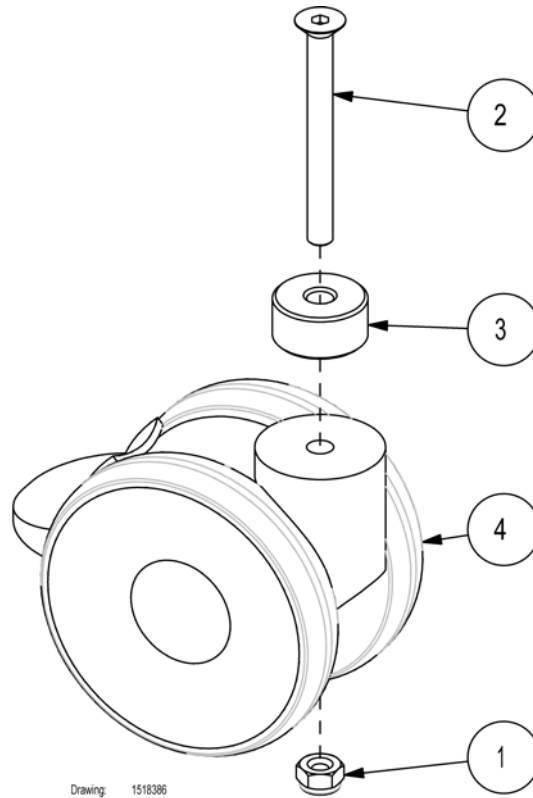
(Ø75 mm rear castors with brake, for manual leg spread, Colson)



Drawing: 1510645

1	1423369	(Castor 75mm w brake for Birdie/Birdie-Compa Colson Twin Tech)	1
2	1509735	(Screw M8x40 St. 10.9 ISO 10642)	1
3	1523115-7012	(Bushing Ø40/Ø8x15 RAL 7012) <i>1523115-7012 has replaced 1509744-7012</i>	01.01.2009 → 1

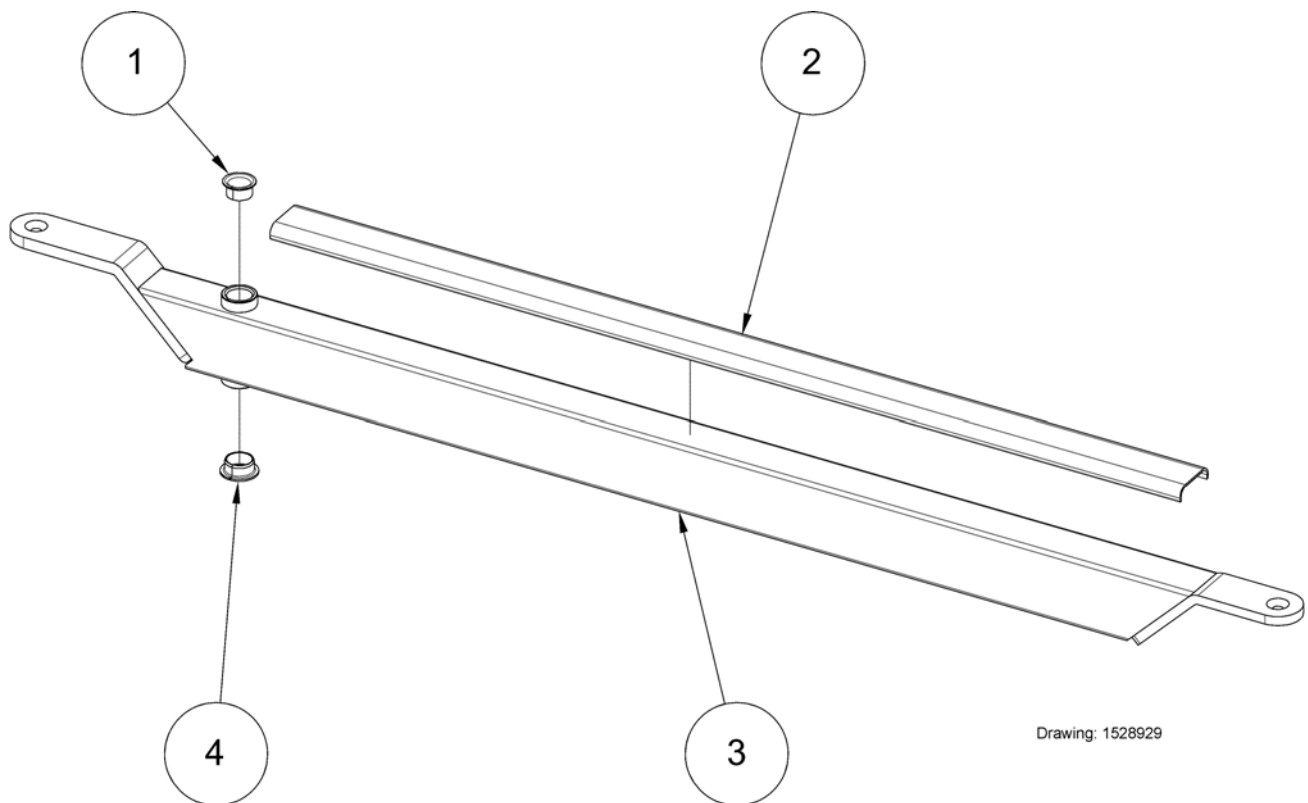
(Ø100 mm rear castors with brake, for manual leg spread, Tente)



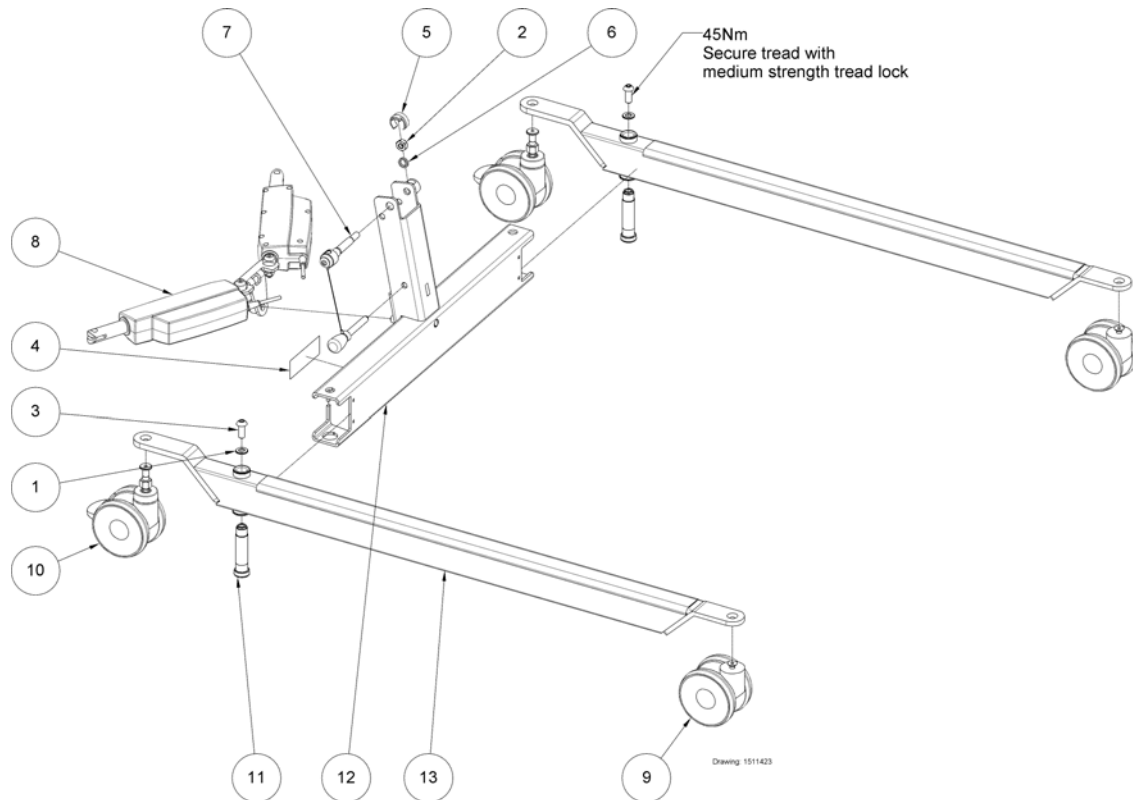
Drawing: 1518386

1	803927	LÅSEMUTTER M8		1
2	1509733	(Screw M8x80 St. 10.9 ISO 10642)		1
3	1523115-7012	(Bushing Ø40/Ø8x15 RAL 7012) <i>1523115-7012 has replaced 1509744-7012</i>	01.01.2009 →	1
4	SP1511582	(100 mm, back, Birdie)		1

(Leg assembly)

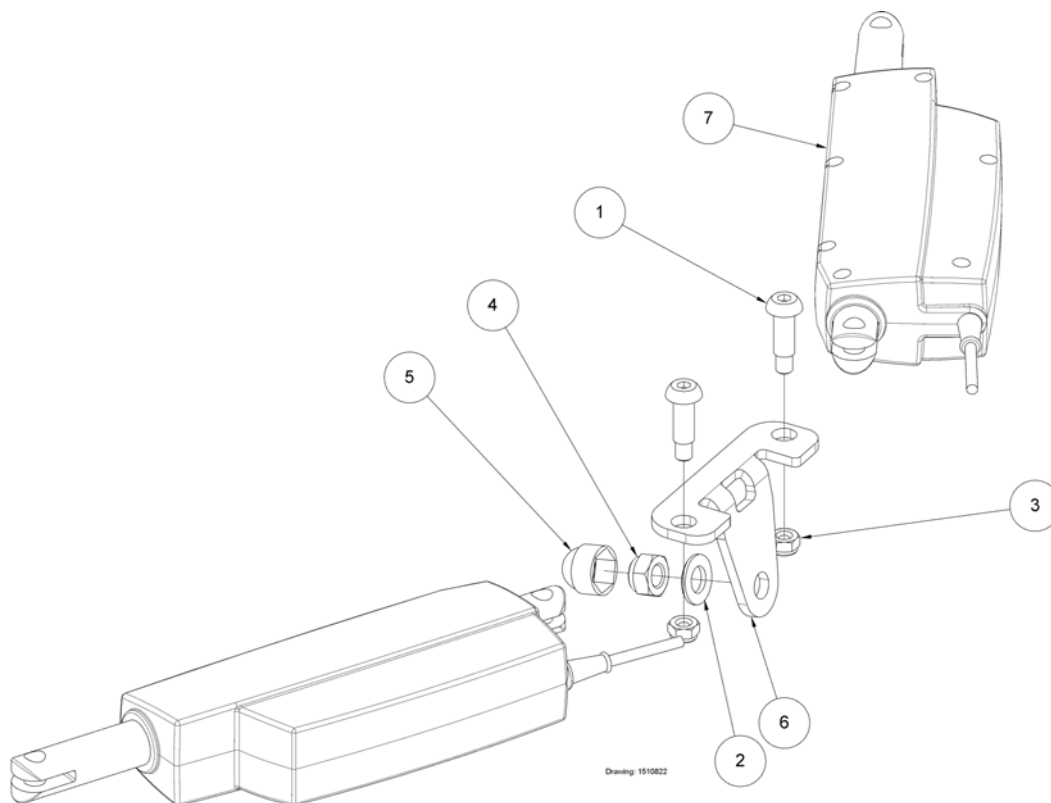


1	1441496	(Ø18 PTFE bearing)	1
2	1511080-7012	(Protective rail with tape, Birdie Compact, RAL 7012)	1
2	1511104-7012	(Plastic covers for legs - Birdie (2 pcs per hoist))	1
3	1527595-7012	(Leg, Birdie Compact, RAL 7012)	1
3	1527632-7012	(Leg, Birdie, RAL 7012)	1
3	SP1527634-7012	(Leg, Birdie Plus, RAL 7012)	1
4	1528776	(Ø20 PTFE bearing)	1

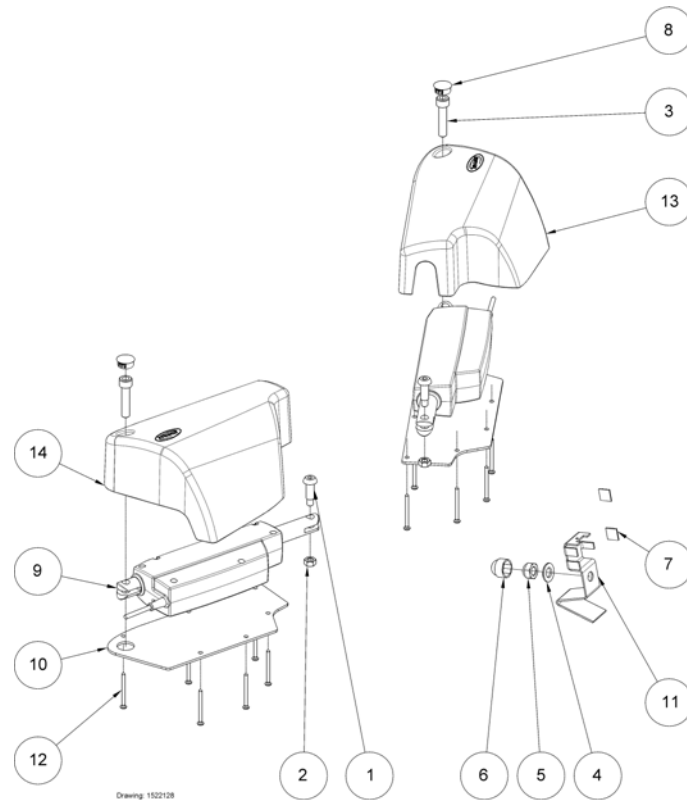
(Base with electrical leg spread, Birdie / Birdie Plus)

1	SP803847	SKIVE M10	2
2	806651	LÅSEMUTTER M10	1
3	817264	(Screw M10x25 St. 10.9)	2
4	1424016	(Identification label 35x97 (silver polyester))	1
5	1509369-7012	(Nut clips on Base Birdie/Birdie Compact (1 pcs per hoist))	1
6	1510029	(Washer Ø17/Ø12,5x3 stainless)	1
7	1510506	(Handle kit for mast/base assembly, Birdie)	1
8	-	(Motor for elec. leg spread, Birdie)	1
8	-	(Motor for elec. leg spread, Birdie Plus)	1
9	-	(Ø75 mm front castors, Colson)	2
9	-	(Ø100 mm front castors, Tente)	2
10	-	(Ø75 mm rear castors with brake, for elec. leg spread, Colson)	2
10	-	(Ø100 mm rear castors with brake, for elec. leg spread, Tente)	2
10	-	(Ø125 mm rear castors with brake, for elec. leg spread, Tente)	2
11	1526963	(Bolt M10 special)	2
12	1528043-7012	(Base for Birdie, RAL 7012)	1
12	SP1528044-7012	(Base for Birdie Plus, RAL 7012)	1
13	-	(Leg assembly)	2
14	SP1545308-7012	(Padded insert plastic)	1

(Motor for elec. leg spread, Birdie)



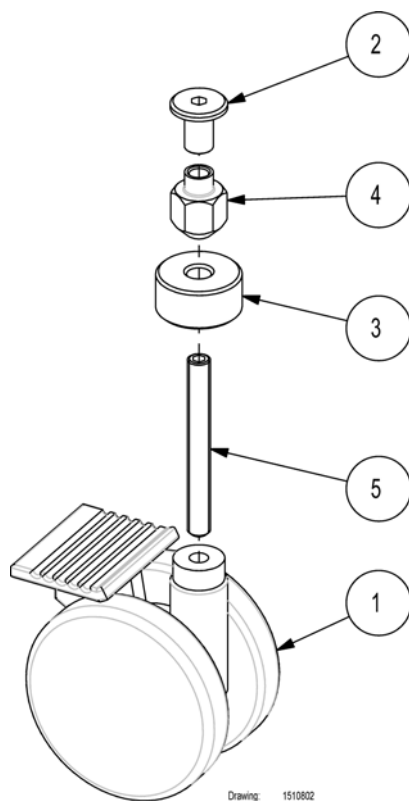
1	420623	BRYSTBOLT SB750 <i>Screw and nut has replaced clevis pin and pin</i>	01.10.2007 →	2
2	SP803273	(Washer ISO7090 M12)		1
3	803927	LÅSEMUTTER M8 <i>Screw and nut has replaced clevis pin and pin</i>	01.10.2007 →	2
4	804481	LÅSEMUTTER M12		1
5	814390-7012	(Nut protector M12, RAL 7012)		1
6	1510353-7012	(Bracket for elec. leg motor, Birdie, RAL 7012)		1
7	SP1510478-9005	(Actuator 24v, 2 x LA12, electrical leg Birdie (1 pcs per hoist))		1
7	SP1527962-9005	(Actuator 24v, 2 x LA12, electrical leg Birdie JumboCare (1 pcs per hoist))		1

(Motor for elec. leg spread, Birdie Plus)

Drawing: 1522128

1	420623	BRYSTBOLT SB750	2
2	802729	(Nut M8 for SB750)	2
4	SP803273	(Washer ISO7090 M12)	1
5	804481	LÅSEMUTTER M12	1
6	814390-7012	(Nut protector M12, RAL 7012)	1
7	SP1426680	(Cable clips 4,6x4,1)	2
8	SP1510761	(Cap Ø20)	2
9	SP1522132-9005	MOTOR BENSPIRIK BIRDIE PLUS	1
10	SP1522192-7032	(Cover bottom plate for leg spread motor, r/l)	2
11	SP1523101-7012	(Bracket/Cover steel)	1
12	SP1523107	(Screw chipboard Ø5x60 PH, PZ2)	12
13	SP1523806-7012	(Cover for leg spread motor, left)	1
14	SP1524060-7012	(Cover for leg spread motor, right)	1

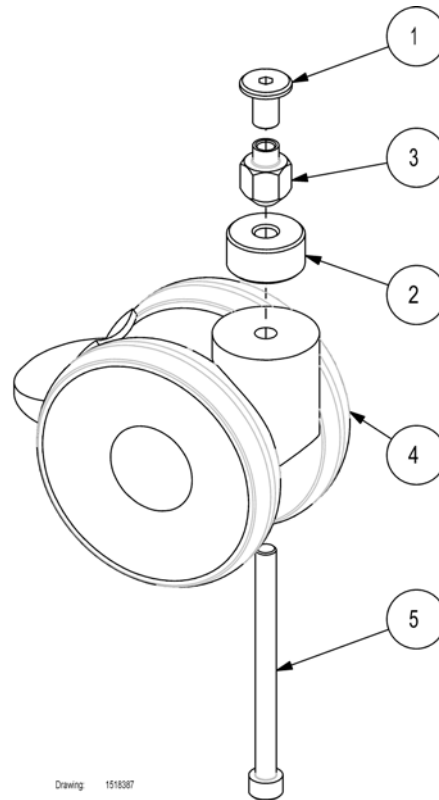
(Ø75 mm rear castors with brake, for elec. leg spread, Colson)



Drawing: 1510802

1	1423369	(Castor 75mm w brake for Birdie/Birdie-Compa Colson Twin Tech)		1
2	1509737	(Nut, furniture M8x16, Ø20/Ø10)		1
3	1523115-7012	(Bushing Ø40/Ø8x15 RAL 7012) <i>1523115-7012 has replaced 1509744-7012</i>	01.01.2009 →	1
4	SP1509910-0002	(Nut M8, special) <i>Replace 1509910-0002</i>		1
5	SP1510562	(Screw M8x70 St. 14.9 ISO 4026)		1

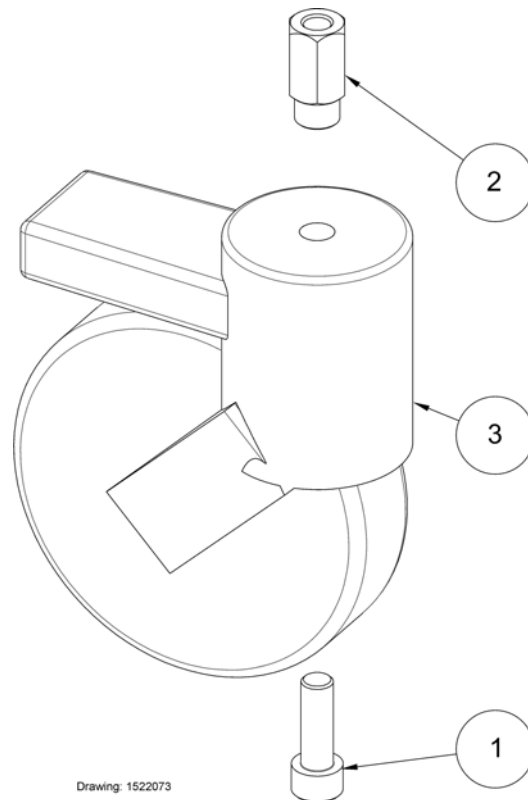
(Ø100 mm rear castors with brake, for elec. leg spread, Tente)



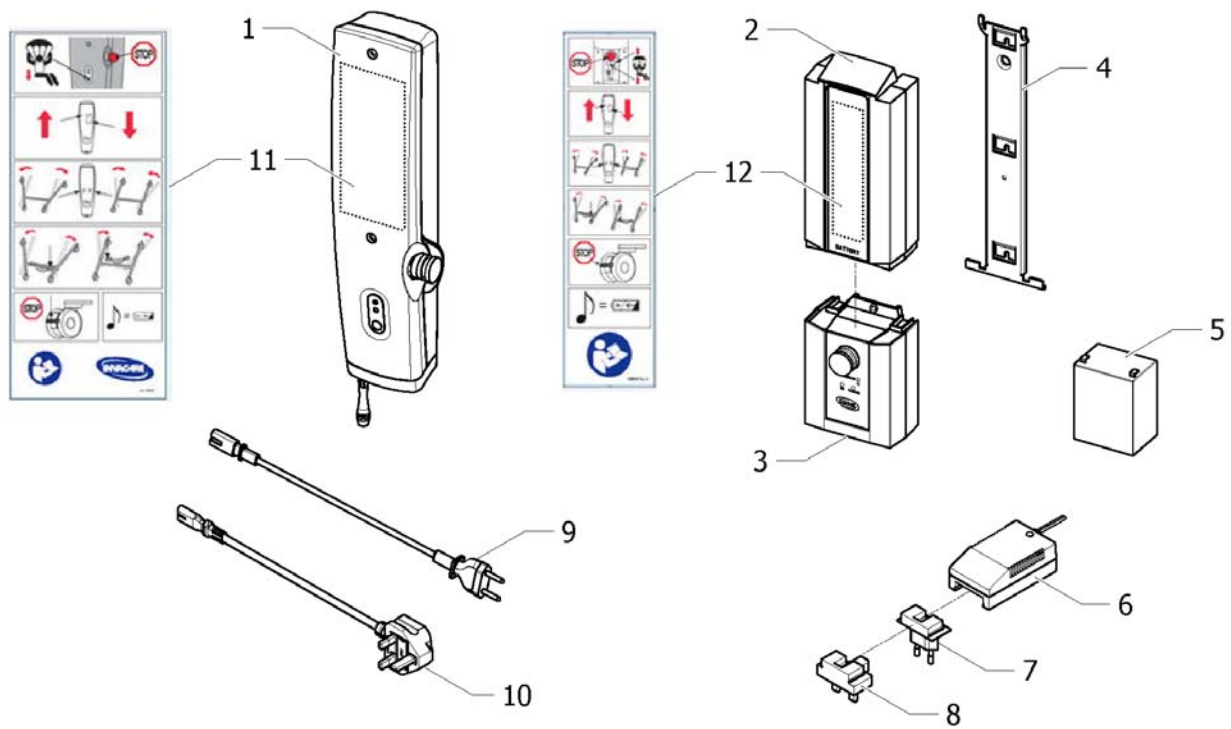
Drawing: 1518387

1	1509737	(Nut, furniture M8x16, Ø20/Ø10)		1
2	1523115-7012	(Bushing Ø40/Ø8x15 RAL 7012) <i>1523115-7012 has replaced 1509744-7012</i>	01.01.2009 →	1
3	SP1509910-0002	(Nut M8, special) <i>Replace 1509910-0002</i>		1
4	SP1511582	(100 mm, back, Birdie)		1
5	SP1518384	(Screw M8x100 St. 8.8 ISO 4762 (x2))		1

(Ø125 mm rear castors with brake, for elec. leg spread, Tente)



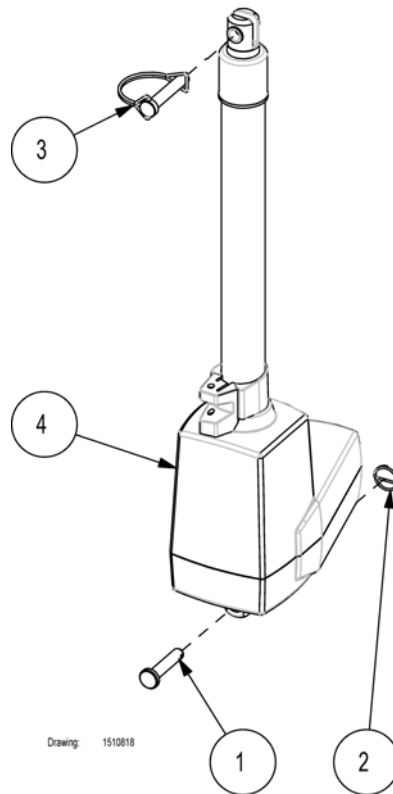
1	803057	(Screw M10x30 8.8 ISO 4762)	1
2	SP1522176-0002	(Nut M8, special)	1
3	1522221	HJUL MED BREMS 125MM BIRDIE PLUS	1



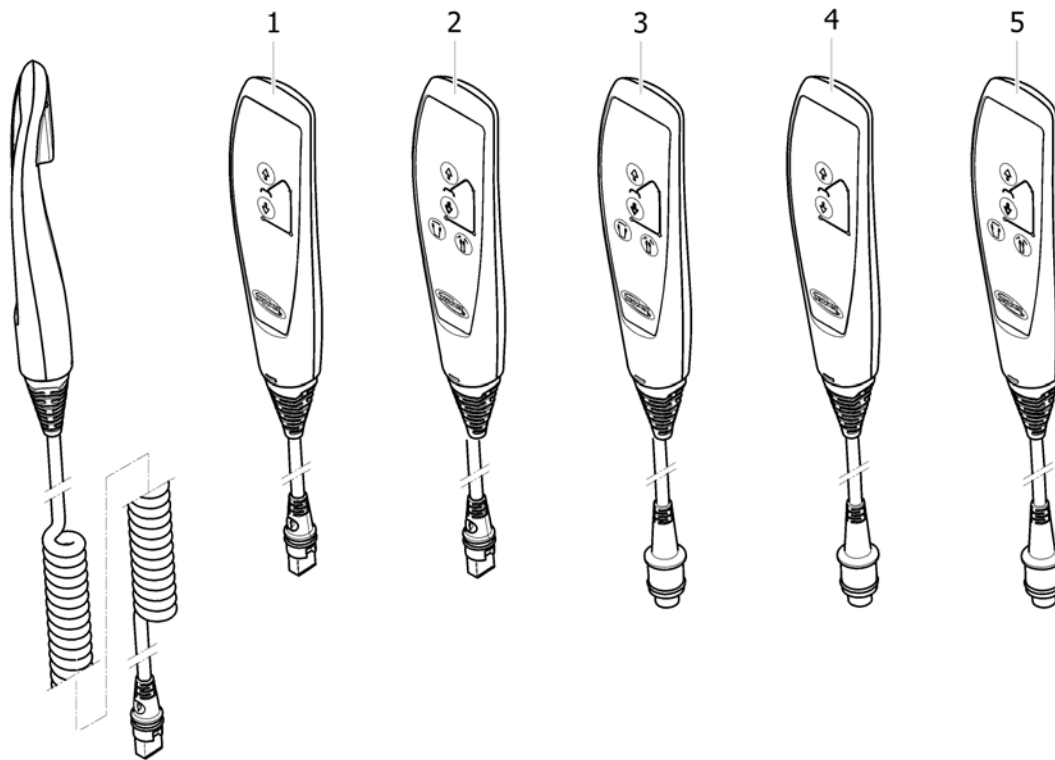
ISPS:1510371

1	SP1575044-7035	(Control box 1 Channel Home Care Man Leg 150Kg)	1
1	SP1575043-7035	(Control box 1 Channel Home Care Manual Leg 170Kg)	1
1	SP1575046-7035	(Control box 1 Channel HomeCare Manual Leg 180Kg)	1
1	SP1575047-7035	(Control box 2 Channel Home Care Elec Leg 170Kg)	1
1	SP1575048-7035	(Control box 2 Channel Home Care Elec Leg 180Kg)	1
2	SP1514573-7035	BATTERIBOKS M BATT/ROZE BIRDIE PLUS	1
3	SP1522196-7035	STYRING CBJ1 2 KANALER BIRDIE PLUS	1
3	SP1574996-7035	(Control box 1 Channel Jumbo Care Manual Leg 150Kg)	1
3	SP1575023-7035	(Control box 1 Channel Jumbo Care Manual Leg 170Kg)	1
3	SP1574997-7035	(Control box 1 Channel Jumbo Care Manual Leg 180Kg)	1
3	SP1575024-7035	(Control box 2 Channel Jumbo Care Elec Leg 170Kg)	1
3	SP1574998-7035	(Control box 2 Channels Jumbo Care Electrical Leg 180Kg)	1
4	1514574-0002	(Bracket for battery housing and CBJ control units)	1
5	SP1420622	(Battery 2,9 Ah (1 pcs))	2
6	1514576-9005	LADER EKSTERN BIRDIE	1
7	1514613-9005	(EU plug adaptor for charger)	1
8	1533127-9005	(UK plug adaptor for charger)	1
9	SP1511583-7035	NETTLEDNING BIRDIE BIRDIE	1
10	SP1511686-7035	(Mains cord, UK)	1
11	SP1528280	(Label for CBJ2 control unit with elec. leg spread (quick guide))	1
12	SP1511759	(Homecare Label)	1

(Motor for jib)



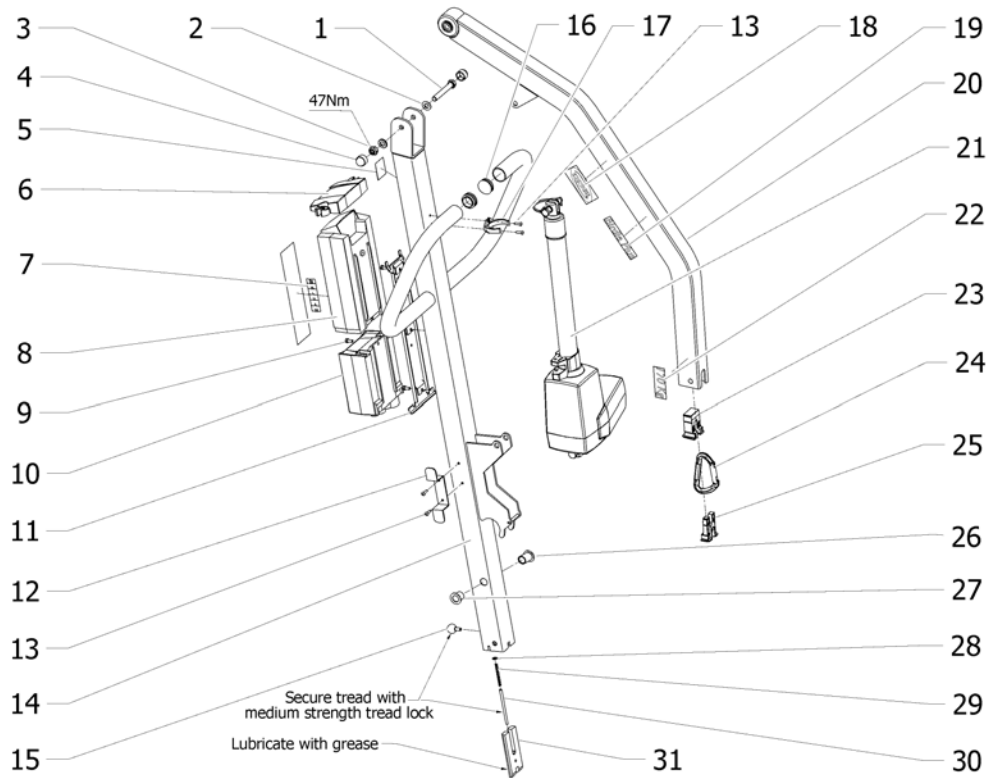
1	802719	MASKINBOLT M10X55 <i>802719 and 806651 replaces SP821244 and 1446265</i>	01.08.2008 →	1
2	806651	LÅSEMUTTER M10 <i>802719 and 806651 replaces SP821244 and 1446265</i>	01.08.2008 →	1
3	1507121	LÅSEBOLT LØFTEMOTOR TRAKTORSPLINT SB400		1
4	SP1510354-7035	(Actuator for Birdie Compact 150kg, Fixed battery/control box)		1
4	SP1514572-7035	(Actuator for Birdie Compact 150kg, Detachable battery/control box)	01.01.2008 → 01.08.2008	1
4	SP1510408-7035	LØFTEMOTOR BIRDIE		1
4	SP1514571-7035	(Actuator for Birdie 170kg, Detachable battery/control box)		1
4	SP1522289-7035	LØFTEMOTOR BIRDIE JACK P BIRDIE PLUS LINAK		1



ISPS1518396

1	SP1509617	(Handcontrol with magnet, 1 Channel Manual for Birdie or Birdie	1
2	SP1509618	HÄNDKONTROLL ELEKTRISK BEN BIRDIE	1
3	SP1522195	HÄNDKONTROLL BIRDIE PLUS BIRDIE	1
4	SP1574990	(Handcontrol with hook, 1 Channel for Birdie or Birdie Compact, Jumbocare)	1
5	SP1155872	HÄNDKONTROLL ROZE ROZE	1

(Mast/jib assembly)

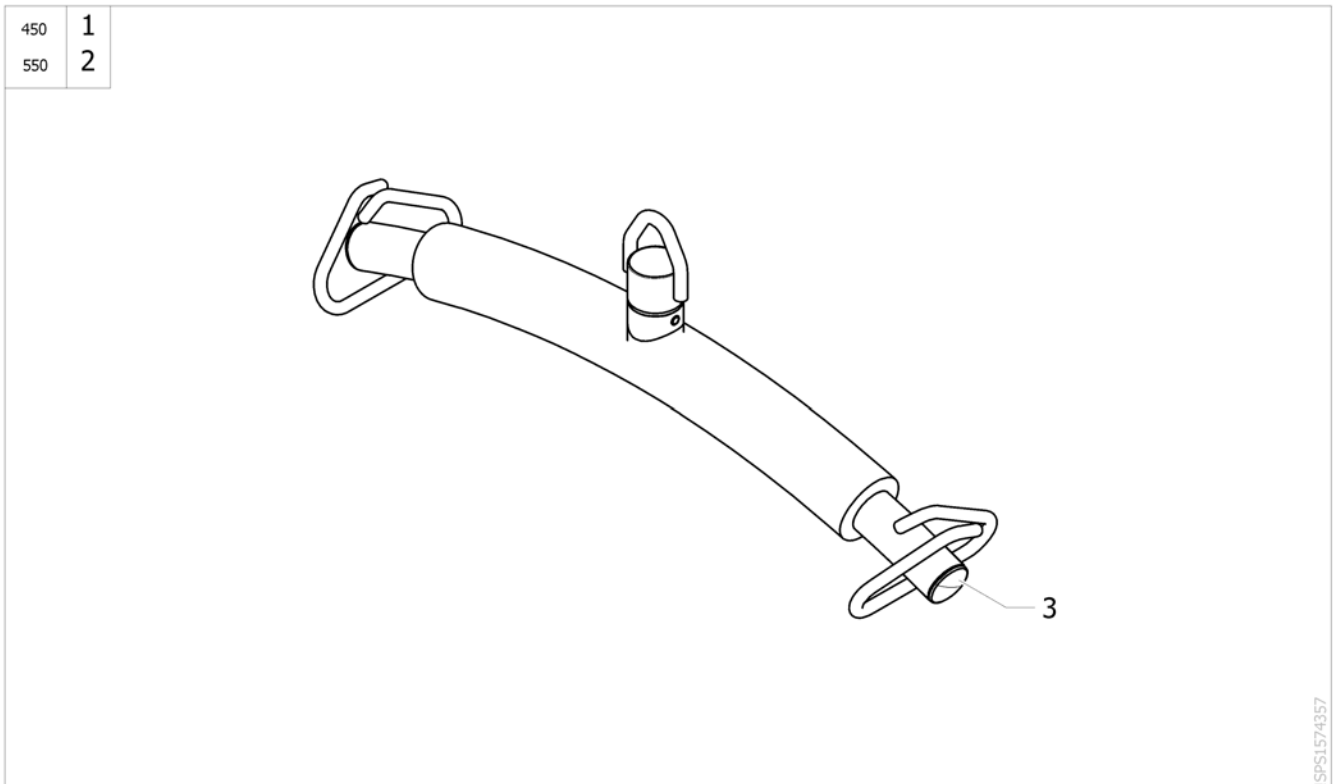


ISPS152129

1	1509739	(Screw M10x70 St. 8.8 ISO 4014)	1
2	SP803847	SKIVE M10	2
3	806651	LÅSEMUTTER M10	1
4	1426489-7012	(Protection for nut M10 RAL 7012)	2
5	SP1514228	(Label "TUV")	1
6	SP1523789-7035	(Lidcover for battery)	1
7	1511359	(Label with sling sizes)	1
8	SP1514573-7035	BATTERIBOKS M BATT/ROZE BIRDIE PLUS	1
9	SP1509740	(Screw M5x70 St. 8.8 ISO 4762) <i>To be used with CBJ Home control units</i>	2
10	-	(Control units)	1
11	1514574-0002	(Bracket for battery housing and CBJ control units)	1
12	SP1522201	(Cable roll up)	1
13	1444036	(Rivet, blind, Ø4x14)	4
14	1510870-9006	(Mast for Birdie, RAL 9006)	1
14	1510871-9006	(Mast for Birdie Compact, RAL 9006)	1
15	1510641-7012	(Ball grip lever Ø20/M6x13 RAL 7012)	1
16	SP809982-7012	(Ferrule SFL 32 - Birdie/Birdie Compact (2 pcs per hoist))	2
17	1509461-7012	(Actuator clips for LA34 - Birdie (1 pcs per hoist))	1
17	1509413-7012	(Actuator clips for LA31 - Birdie Compact (1 pcs per hoist))	1
18	SP417547	(Invacare Logo Label)	1
19	SP1509738	(Label "Birdie")	2
19	SP1509741	(Label "Birdie Compact")	2
19	SP1522202	(Label "Birdie Plus")	2
20	1510823-9006	(Lifting arm Birdie)	1
20	1510869-9006	(Jib for Birdie Compact, RAL 9006)	1
21	-	(Motor for jib)	1
22	1509742	(Label "150 kg")	2
22	1509743	(Label "170 kg")	2
23	1509328-7012	(Ferrule 1 on jib Birdie/Birdie Compact (1 pcs per hoist))	1
24	SP1449515	(Carabiner for spreader bar Invacare Flamingo/Birdie)	1
25	1509329-7012	(Ferrule 2 on jib Birdie/Birdie Compact (1 pcs per hoist))	1

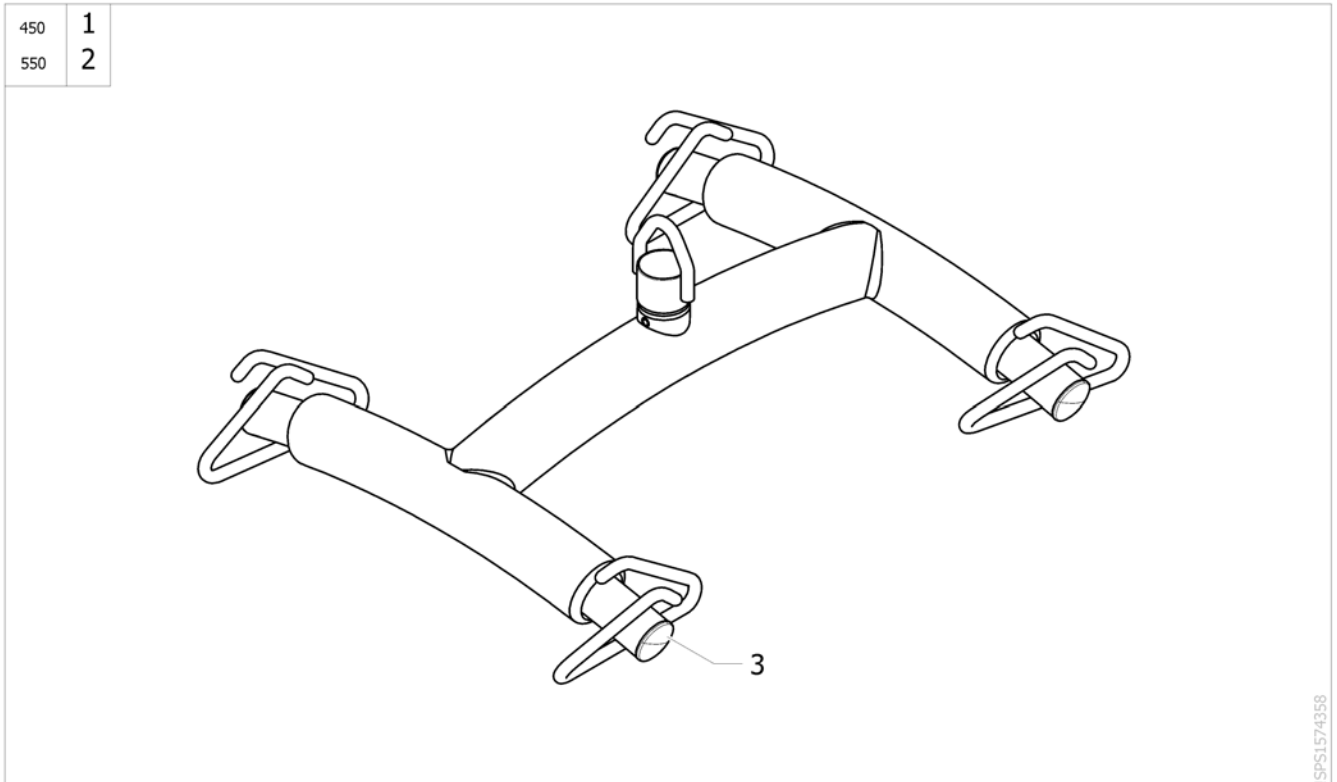
26	SP1510213	(Bearing Ø18/Ø12x30.5 Mast)		1
27	SP1510212	(Bearing Ø18/Ø14x21 Mast)		1
28	804209	FACETSKIVE M 5 HØNG <i>Replaces POM slide runner 1510210 in previous hois</i>	01.06.2008 →	1
29	1492513	(Spring Ø5x0,5x50)		1
30	1510158	(Pin Ø5xM5x80 stainless)		1
31	1510157-0002	(Locking pawl for mast/base Birdie)		1

(Spreader bar 2 points (450/550 mm))



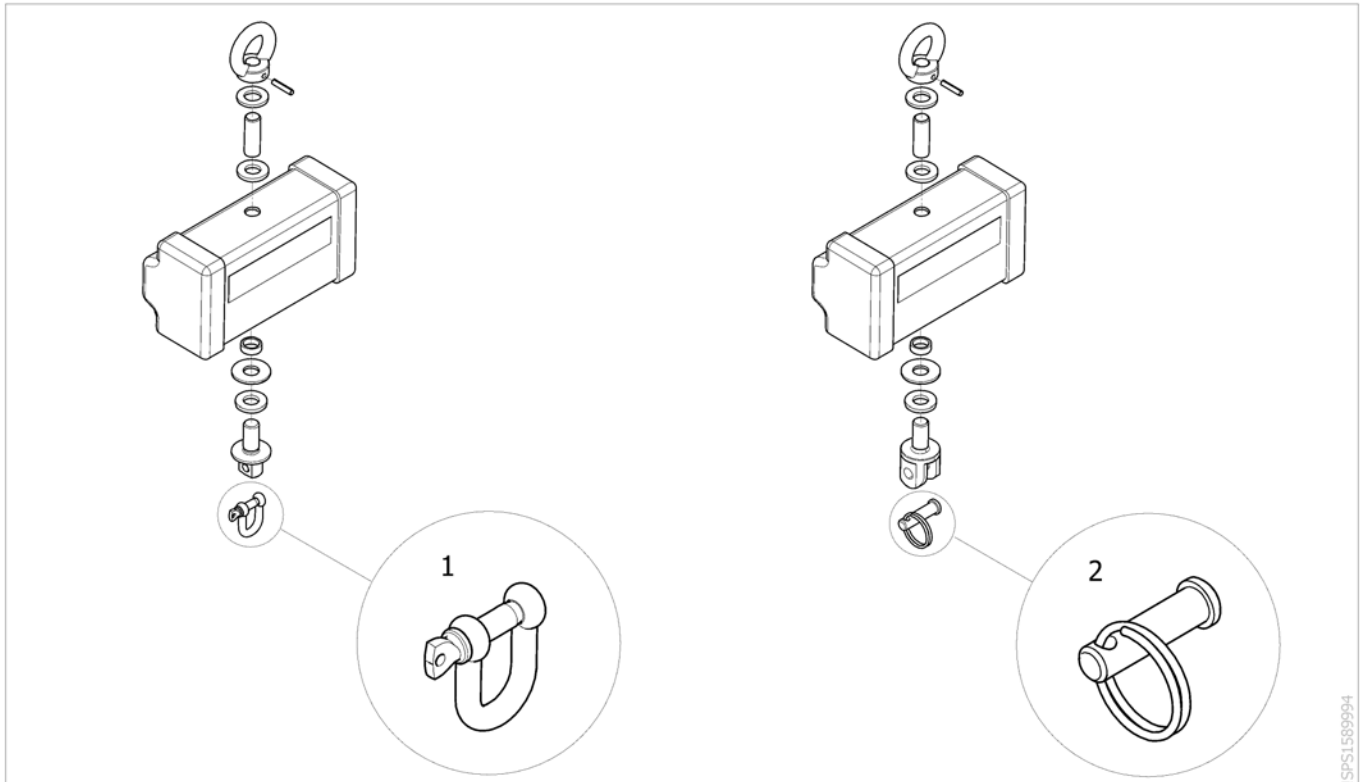
1	1526581-0125	LØFTEBØYLE 45CM GULDMANN BIRDIE	1
2	1526582-0125	(Spreader-bar 2pts 550 mm painted)	1
3	SP1443855-7012	(Ferrule Inside Diameter 30x3 Qty.2 (RAL 7012))	2

(Spreader bar 4 points (450/550 mm))



1	1526583-0125	LØFTEBØYLE 4 PKT 45 CM BIRDIE	1
2	1526584-0125	LØFTEBØYLE 4 PKT 55 CM FLAMINGO	1
3	SP1443855-7012	(Ferrule Inside Diameter 30x3 Qty.2 (RAL 7012))	2

(Scale Attachment)



ISPS1589994

1	SP1512619	(Manil (U Fixture) for Birdie Scale)	→ 31.03.2015	1
2	SP1584563	(Locking pin + ring for scale attachment)	01.04.2015 →	1



Yes, you can.®



Belgium & Luxemburg:

Invacare nv, Autobaan 22, B-8210 Loppem
Tel: (32) (0)50 83 10 10, Fax: (32) (0)50 83 10 11
belgium@invacare.com / www.invacare.be

Denmark:

Invacare A/S, Sdr. Ringvej 37, DK-2605 Brøndby
Tel: (45) (0)36 90 00 00, Fax: (45) (0)36 90 00 01
denmark@invacare.com / www.invacare.dk

Deutschland:

Invacare Aquatec GmbH, Alemannenstraße 10, D-88316 Isny
Tel: (49) (0)75 62 7 00 0, Fax: (49) (0)75 62 7 00 66
info@invacare-aquatec.com / www.invacare-aquatec.de

European Distributor Organisation:

Invacare, Kleiststraße 49, D-32457 Porta Westfalica
Tel: (49) (0)57 31 754 540, Fax: (49) (0)57 31 754 541
edo@invacare.com / www.invacare.eu.com

España:

Invacare SA, c/Areny s/n, Polígon Industrial de Celrà, E-17460 Celrà (Girona)
Tel: (34) (0)972 49 32 00, Fax: (34) (0)972 49 32 20
contactsp@invacare.com / www.invacare.es

France:

Invacare Poirier SAS, Route de St Roch, F-37230 Fondettes
Tel: (33) (0)2 47 62 64 66, Fax: (33) (0)2 47 42 12 24
contactfr@invacare.com / www.invacare.fr

Ireland:

Invacare Ireland Ltd, Unit 5 Seatown Business Campus, Seatown Road, Swords, County Dublin - Ireland
Tel: (353) 1 810 7084, Fax: (353) 1 810 7085
ireland@invacare.com / www.invacare.ie

Italia:

Invacare Mecc San s.r.l., Via dei Pini 62, I-36016 Thiene (VI)
Tel: (39) 0445 38 00 59, Fax: (39) 0445 38 00 34
italia@invacare.com / www.invacare.it

Nederland:

Invacare BV, Celsiusstraat 46, NL-6716 BZ Ede
Tel: (31) (0)318 695 757, Fax: (31) (0)318 695 758
nederland@invacare.com, csede@invacare.com / www.invacare.nl

Norge:

Invacare AS, Grensesvingen 9, Postboks 6230, Etterstad, N-0603 Oslo
Tel: (47) (0)22 57 95 00, Fax: (47) (0)22 57 95 01
norway@invacare.com, island@invacare.com / www.invacare.no

Österreich:

Invacare Austria GmbH, Herzog Odilostrasse 101, A-5310 Mondsee
Tel: (43) 6232 5535 0, Fax: (43) 6232 5535 4
info-austria@invacare.com / www.invacare.at

Portugal:

Invacare Lda, Rua Estrada Velha, 949, P-4465-784 Leça do Balio
Tel: (351) (0)225 1059 46/47, Fax: (351) (0)225 1057 39
portugal@invacare.com / www.invacare.pt

Sverige & Suomi:

Invacare AB, Fagerstagatan 9, S-163 91 Spånga
Tel: (46) (0)8 761 70 90, Fax: (46) (0)8 761 81 08
sweden@invacare.com, finland@invacare.com / www.invacare.se

Switzerland:

Invacare AG, Benkenstrasse 260, CH-4108 Witterswil
Tel: (41) (0)61 487 70 80, Fax: (41) (0)61 487 70 81
switzerland@invacare.com / www.invacare.ch

United Kingdom:

Invacare Limited, Pencoed Technology Park, Pencoed, Bridgend CF35 5AQ
Switchboard Tel: (44) (0)1656 776200, Fax: (44) (0)1656 776201
Customer services Tel: (44) (0)1656 776222, Fax: (44) (0)1656 776220
uk@invacare.com / www.invacare.co.uk