

# Spare Parts Catalogue

---

Version: PartList\_EMOTIONM1520130503a.xls NO



e-motion®



**Yes, you can.®**

## **General Information**

*For any order of spare parts the following information is required:*

- Product type*
- Product name & model*
- Serial Number*
- Part-Number*
- Part-Description*

*Exploded view drawings and code numbers are not contractual and subject to modification, in relation to Invacare® continuous product improvement policy to meet end users needs.*

*The reproduction or use of this work, or of any substantial part of this work, in any form or by any electronic, mechanical or other means, including photocopying, scanning and recording, and in any information storage and retrieval system, including electronic transmission, is forbidden without the prior written permission of Invacare® International Sarl.*



**Yes, you can.<sup>®</sup>**

## **TABLE OF CONTENTS**

---

### **Drivhjul e-motion**

(Drive wheels e-motion) .....	5
(Drive wheels e-motion spare-parts) .....	6

### **Tippesikring med jack-up funksjon**

(Anti-tippers with jack-up function) .....	7
(Anti-tippers with jack-up function Ersatzteile) .....	8

### **(Brakett til e-motion**

(Bracket for e-motion) .....	9
(Bracket for e-motion spare-parts) .....	10

### **Fjernkontroll e-motion M15**

(Remote Control e-motion M15) .....	11
(Remote control e-motion spare-parts) .....	12

### **Lader e-motion M15**

(Battery charger e-motion M15) .....	13
--------------------------------------	----

### **Batteripakke e-motion M15**

(Battery pack e-motion M15) .....	14
-----------------------------------	----

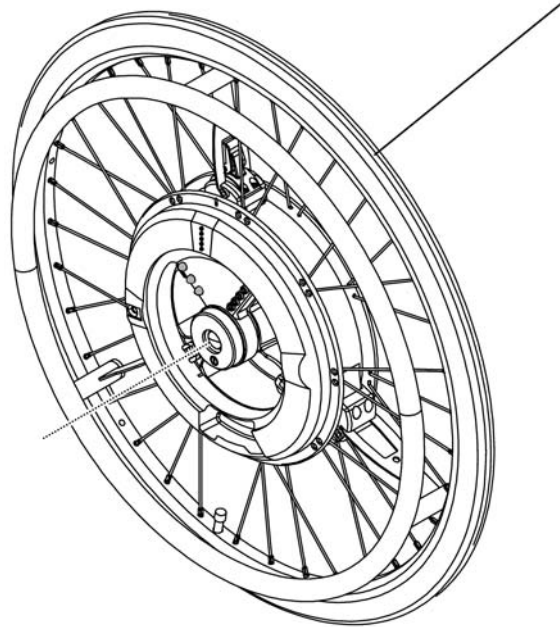


**(Drive wheels e-motion)**

1519456

1519457

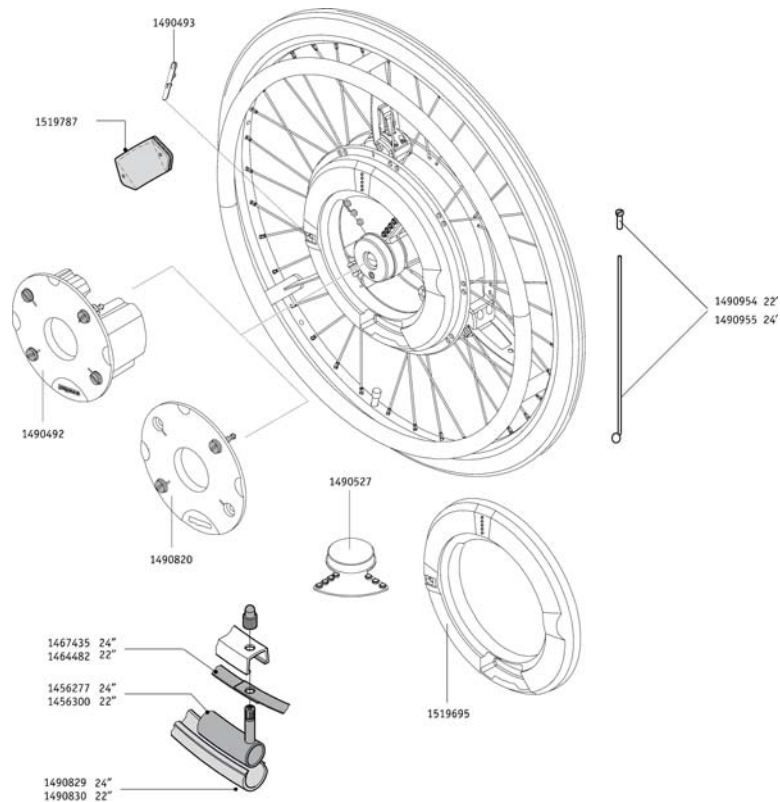
1519458




---

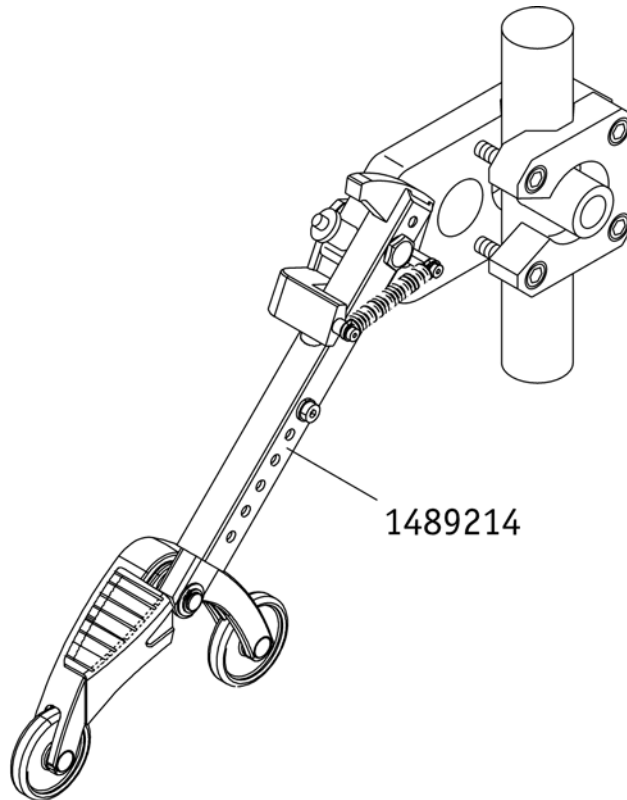
1519456	DRIVHJUL 24 E-MOTION M15STD DRIVRING U/BATTERI	1
1519457	DRIVHJUL 22 E-MOTION M15STD DRIVRING U/BATTERI	1
1519458	DRIVHJUL 24 E-MOTION M15FRIKSJONSDRIVRING U/BATT	1
-	(Drive wheels e-motion spare-parts)	1

## (Drive wheels e-motion spare-parts)



1519787	(Reflector e-motion)	1
1490492	BATTERI E-MOTION M 15	1
1490493	DEKSEL LADEPLUGG GUMMIE-MOTION M15	1
1490820	PLASTDEKSELE-MOTION M15	1
1490527	GUMMIPROPPE-MOTION M15	1
1490954	(Spoke set M15 22" Dia. 2,0mm, 5 spokes and nipples)	1
1490955	EIKE 24" M155 STK I PAKKE ALBER	1
1464482	(Rim strip 22")	1
1467435	(Rim strip "Schwalbe Super HP" 16-540)	1
1456277	SLANGE 24x1 EMOTION	1
1456300	(Tube 22x1" Schrader valve)	1
1490829	DEKK 24x1 SMARTTYREE-MOTION M15	1
1490830	(Tyre "SmartGuard Rightrun plus" 22x1")	1
1519695	DEKSEL MED LADEKONTAKTE-MOTION M15 <i>replaces 1490860</i>	1

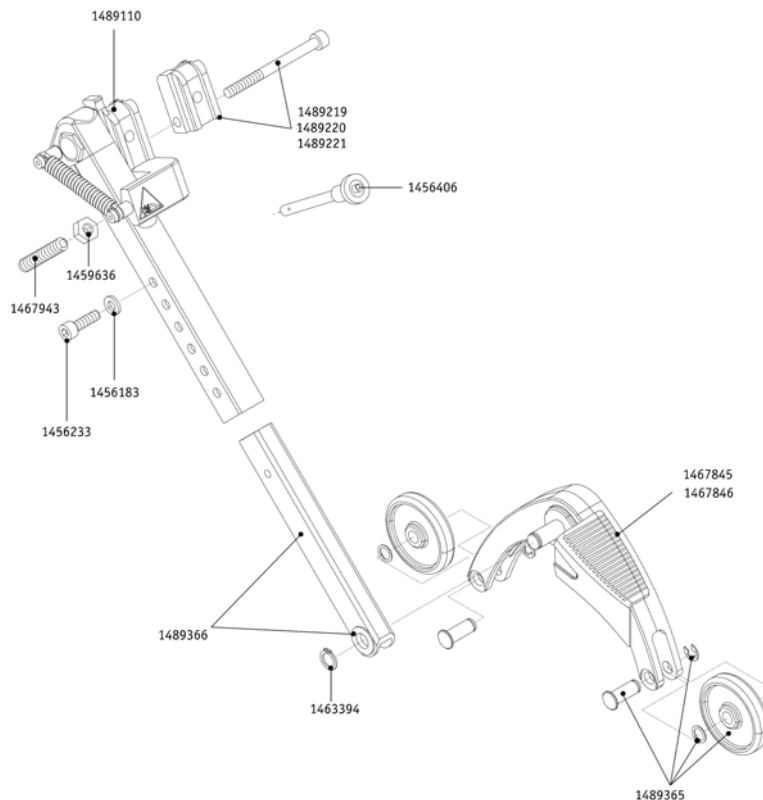
Alber E-Motion M15 | Toppesikring med jack-up funksjon  
**(Anti-tippers with jack-up function)**



---

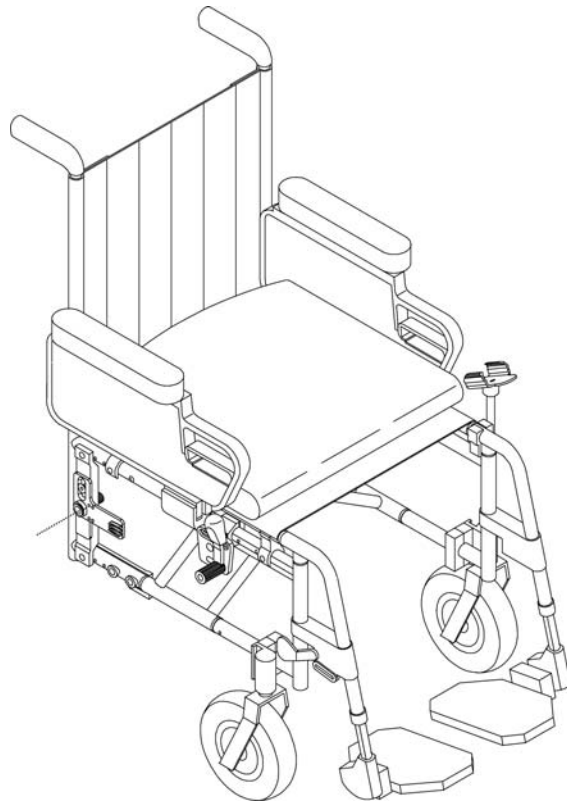
1489214	(Anti-tippers with jack-up function (pair))	1
-	(Anti-tippers with jack-up function Ersatzteile)	1

## (Anti-tippers with jack-up function Ersatzteile)



1456183	(Washer DIN 125 - A 6,4)	1
1456233	SKRUE TIPPESIKRING DIN7984 M 6 x 20	1
1456406	HURTIGKOBLINGSBOLT 33MMALBER	1
1459636	(Hexagon nut ISO 4032 - M8 vz)	1
1463394	(Locking ring DIN 471 - 10 x 1 - A2)	1
1467845	(Support angle right for anti-tippers)	1
1467846	(Support angle left for anti-tippers)	1
1467943	(Threaded pin M 8 x 45 DIN 913 - 45 H)	1
1489110	(Clamping piece for adapter)	1
1489219	ADAPTER TIPPESIKRINGJACK UP 15MM	1
1489220	ADAPTER TIPPESIKRINGJACK UP 15MM BRED	1
1489221	ADAPTER TIPPESIKRING JACK UP 12MM BRED	1
1489365	HJUL TIL TIPPESIKRINGM/JACK UP FUNKSJON	1
1489366	(Slide rod anti-tippers)	1

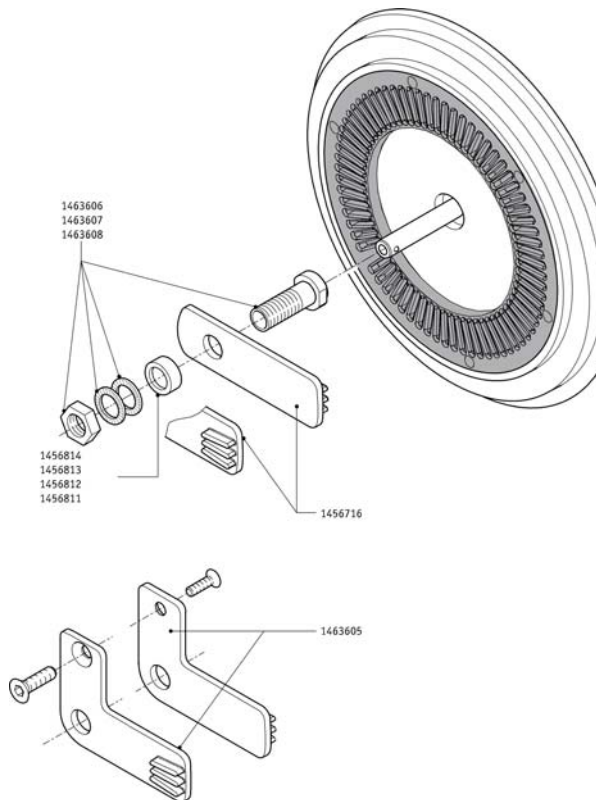




---

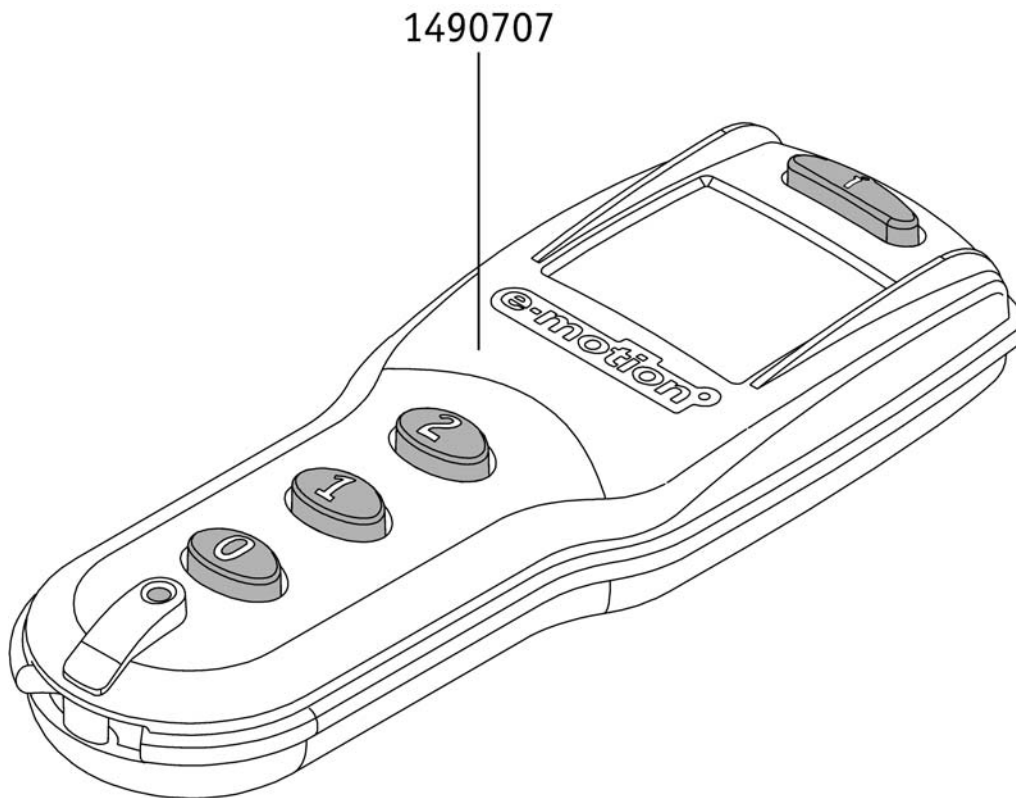
1457837	(Bracket for e-motion)	1
-	(Bracket for e-motion spare-parts)	1

**(Bracket for e-motion spare-parts)**



1463606	(Axle Receiver 1/2, Length=50,8Mm Incl. Nord-Lock And Nut Incl. Nord-Lock And Nut)	1
1463607	(Adapter sleeve 1/2" Length 30.8mm inclusive Nord-Lock washer and nut)	1
1463608	(Adapter sleeve 1/2" Length 48.0mm inclusive Nord-Lock washer and nut)	1
1456716	FESTE FOR BRAKETT E-MOTIRETT GALVANISERT	1
1463605	BRAKETT VINKELE-MOTION	1
1456811	(Spacer ring aluminium 25 x 17 x 16 long)	1
1456812	(Spacer ring aluminium 25 x 17 x 10 long)	1
1456813	(Spacer ring aluminium 25 x 17 x 8 long)	1
1456814	(Spacer ring aluminium 25 x 17 x 5 long)	1

Alber E-Motion M15 | Fjernkontroll e-motion M15  
**(Remote Control e-motion M15)**



---

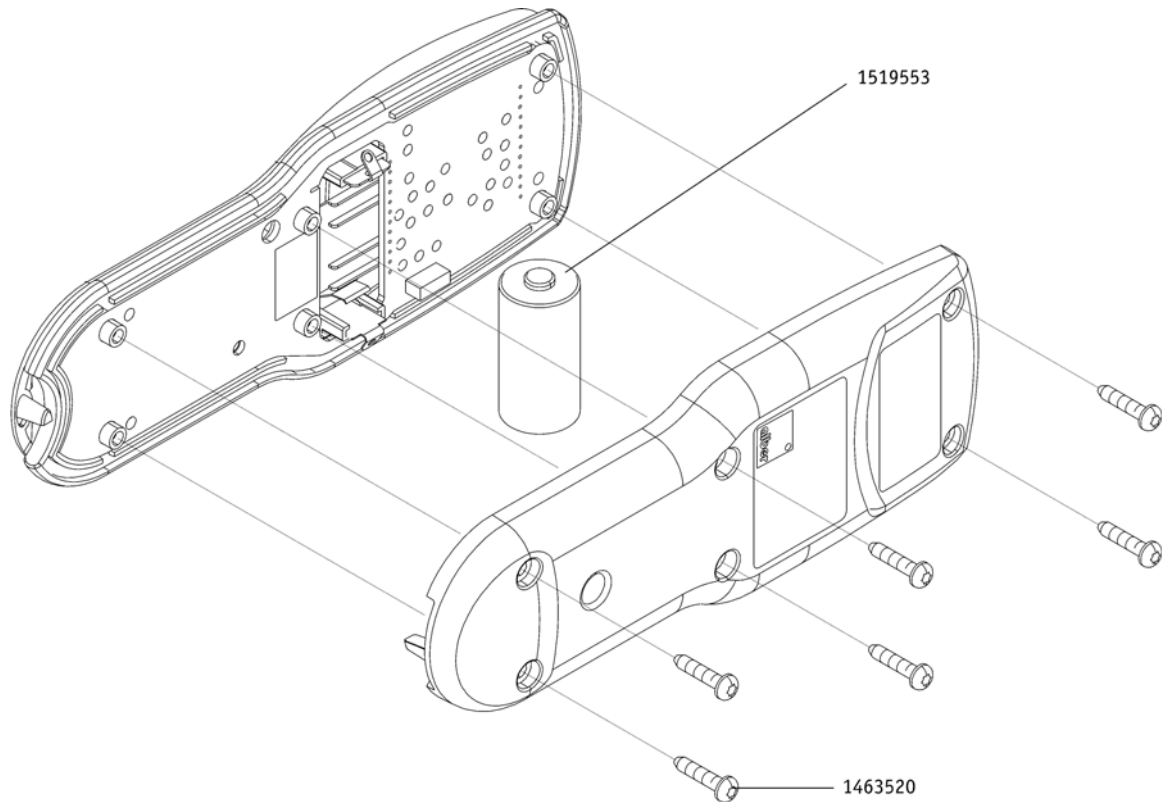
1490707

FJERNKONTROLL ERGONOMISKKONTR.SYSTEM EMOTION-M15  
(Remote control e-motion spare-parts)

1

1

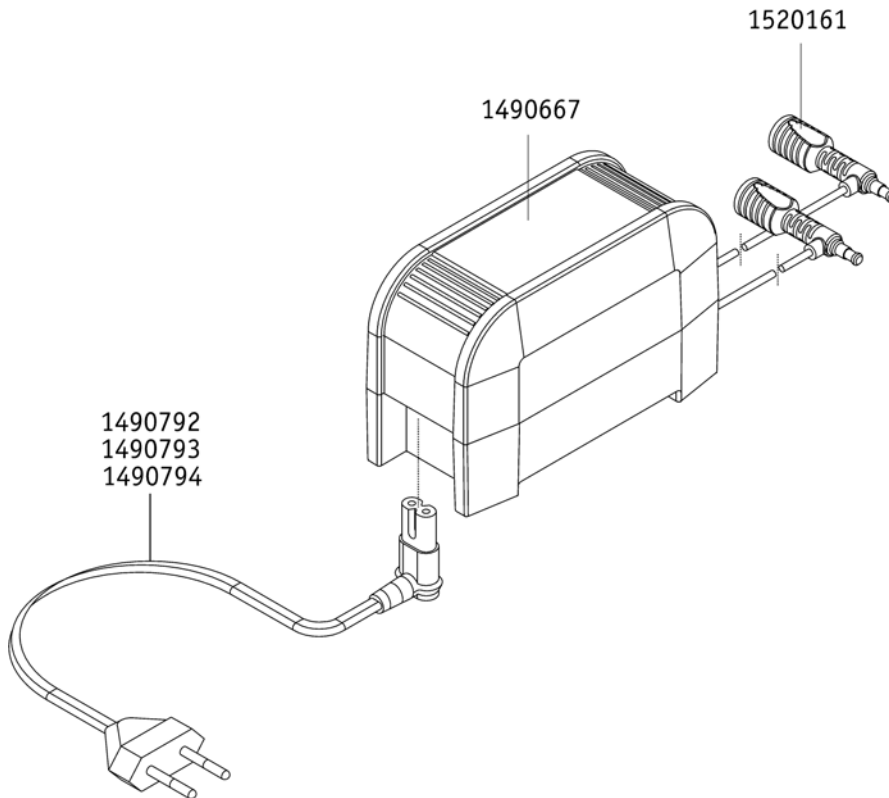
### (Remote control e-motion spare-parts)



---

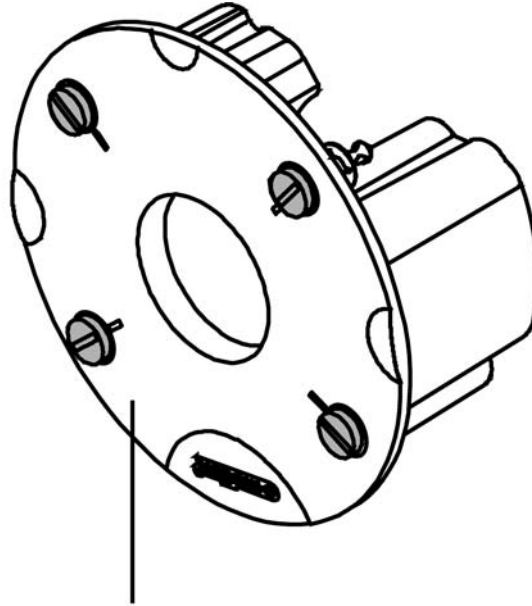
1519553	(battery CR 123 A-1550 mA VARTA)	1
1463520	(Screw Eject PT K 30 x 14 WN)	1

**(Battery charger e-motion M15)**



1490667	LADER E-MOTION M15	1
1490792	(Main Cable for charger e-motion M15 EU for PS3025)	1
1520161	LADEKABEL LADER M15E-MOTION <i>replaces 1519712</i>	1
1490793	(Mains cable charger USA e-motion M15/PS3025)	1
1490794	(Mains cable for charger e-motion M15 PS3025)	1

**(Battery pack e-motion M15)**



1490492





Yes, you can.®



---

**Belgium & Luxemburg:**

Invacare nv, Autobaan 22, B-8210 Loppem  
Tel: (32) (0)50 83 10 10, Fax: (32) (0)50 83 10 11  
belgium@invacare.com / www.invacare.be

**Denmark:**

Invacare A/S, Sdr. Ringvej 37, DK-2605 Brøndby  
Tel: (45) (0)36 90 00 00, Fax: (45) (0)36 90 00 01  
denmark@invacare.com / www.invacare.dk

**Deutschland:**

Invacare Aquatec GmbH, Alemannenstraße 10, D-88316 Isny  
Tel: (49) (0)75 62 7 00 0, Fax: (49) (0)75 62 7 00 66  
info@invacare-aquatec.com / www.invacare-aquatec.de

**European Distributor Organisation:**

Invacare, Kleiststraße 49, D-32457 Porta Westfalica  
Tel: (49) (0)57 31 754 540, Fax: (49) (0)57 31 754 541  
edo@invacare.com / www.invacare.eu.com

**España:**

Invacare SA, c/Areny s/n, Polígon Industrial de Celrà, E-17460 Celrà (Girona)  
Tel: (34) (0)972 49 32 00, Fax: (34) (0)972 49 32 20  
contactsp@invacare.com / www.invacare.es

**France:**

Invacare Poirier SAS, Route de St Roch, F-37230 Fondettes  
Tel: (33) (0)2 47 62 64 66, Fax: (33) (0)2 47 42 12 24  
contactfr@invacare.com / www.invacare.fr

**Ireland:**

Invacare Ireland Ltd, Unit 5 Seatown Business Campus, Seatown Road, Swords, County Dublin - Ireland  
Tel: (353) 1 810 7084, Fax: (353) 1 810 7085  
ireland@invacare.com / www.invacare.ie

**Italia:**

Invacare Mecc San s.r.l., Via dei Pini 62, I-36016 Thiene (VI)  
Tel: (39) 0445 38 00 59, Fax: (39) 0445 38 00 34  
italia@invacare.com / www.invacare.it

**Nederland:**

Invacare BV, Celsiusstraat 46, NL-6716 BZ Ede  
Tel: (31) (0)318 695 757, Fax: (31) (0)318 695 758  
nederland@invacare.com, csede@invacare.com / www.invacare.nl

**Norge:**

Invacare AS, Grensesvingen 9, Postboks 6230, Etterstad, N-0603 Oslo  
Tel: (47) (0)22 57 95 00, Fax: (47) (0)22 57 95 01  
norway@invacare.com, island@invacare.com / www.invacare.no

**Österreich:**

Invacare Austria GmbH, Herzog Odilostrasse 101, A-5310 Mondsee  
Tel: (43) 6232 5535 0, Fax: (43) 6232 5535 4  
info-austria@invacare.com / www.invacare.at

**Portugal:**

Invacare Lda, Rua Estrada Velha, 949, P-4465-784 Leça do Balio  
Tel: (351) (0)225 1059 46/47, Fax: (351) (0)225 1057 39  
portugal@invacare.com / www.invacare.pt

**Sverige & Suomi:**

Invacare AB, Fagerstagatan 9, S-163 91 Spånga  
Tel: (46) (0)8 761 70 90, Fax: (46) (0)8 761 81 08  
sweden@invacare.com, finland@invacare.com / www.invacare.se

**Switzerland:**

Invacare AG, Benkenstrasse 260, CH-4108 Witterswil  
Tel: (41) (0)61 487 70 80, Fax: (41) (0)61 487 70 81  
switzerland@invacare.com / www.invacare.ch

**United Kingdom:**

Invacare Limited, Pencoed Technology Park, Pencoed, Bridgend CF35 5AQ  
Switchboard Tel: (44) (0)1656 776200, Fax: (44) (0)1656 776201  
Customer services Tel: (44) (0)1656 776222, Fax: (44) (0)1656 776220  
uk@invacare.com / www.invacare.co.uk