

Spare Parts Catalogue

Version: 2016/07/29a NO



KÜSCHALL K-SERIES *attract*



Yes, you can.®

General Information

For any order of spare parts the following information is required:

- Product type*
- Product name & model*
- Serial Number*
- Part-Number*
- Part-Description*

Exploded view drawings and code numbers are not contractual and subject to modification, in relation to Invacare® continuous product improvement policy to meet end users needs.

The reproduction or use of this work, or of any substantial part of this work, in any form or by any electronic, mechanical or other means, including photocopying, scanning and recording, and in any information storage and retrieval system, including electronic transmission, is forbidden without the prior written permission of Invacare® International Sarl.



Yes, you can.®

TABLE OF CONTENTS

(INFORMATION)

(INFORMATION)	5
(Abbreviations)	6
(Frame colours)	7

(CHASSIS)

(CHASSIS)	9
(Frame Aluminium 75° adducted)	10
(Frame Aluminium 90° adducted)	12
(Axle tube Aluminium)	14
(Axle holder)	15
(Rear wheel extension standard)	16

(SEAT)

(SEAT)	17
(Seat module)	18
(Seatcover standard)	20
(Seatcover adjustable)	22
(Seat cushion standard)	24

(BACKREST)

(BACKREST)	25
(Straight bar backrest)	26
(Küschall backrest parts for Matrix backs)	27
(Bands to adjustable backrest)	28
(Cover to adjustable backrest)	29
(Push handles, height adjustable, rear set)	30

(FOOTREST)

(FOOTREST)	31
(Footrest standard for adducted frame)	32
(Footrest angle adjustable for adducted frame)	34
(Footrest standard highmounted for adducted frame)	35
(Footrest angle adjustable highmounted for adducted frame)	37
(Calf strap)	38

(SIDERESTS)

(SIDERESTS)	39
(Clothes-guards composite)	40
(Clothes-guards carbon)	41
(Mudguards composite)	42
(Mudguards carbon)	43
(Siderest height adjustable)	44

(FRONT WHEELS)

(FRONT WHEELS)	45
(Front forks standard)	46
(Configuration table for front fork size)	47



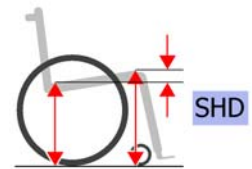
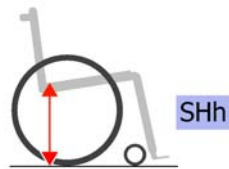
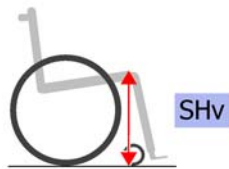
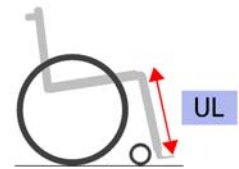
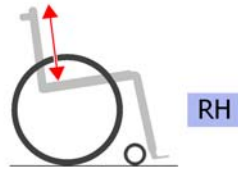
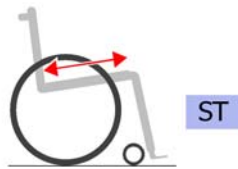
Yes, you can.®

TABLE OF CONTENTS

(Front wheels)	48
(REAR WHEELS)	
(REAR WHEELS)	49
(Active wheel)	50
(24" Kuschall rear wheels complete)	51
(High Performance wheel)	52
(Spinergy LXX wheel)	53
(Handrim)	54
(Fixation handrim)	55
(Tyre)	56
(Inner tube and rim protector)	57
(Spoke guard)	58
(Quick release axle and bearing)	59
(BRAKES)	
(BRAKES)	60
(Brakes)	61
(SAFETY OPTIONS)	
(SAFETY OPTIONS)	62
(Seatbelt for transportation)	63
(SEAT ACCESSORIES)	
(SEAT ACCESSORIES)	64
(Seat frame bag)	65
(OPTIONS & ACCESSORIES)	
(OPTIONS & ACCESSORIES)	66
(Antitipper)	67
(Tipper aid)	68
(Cane holder)	69
(Chair accessories)	70

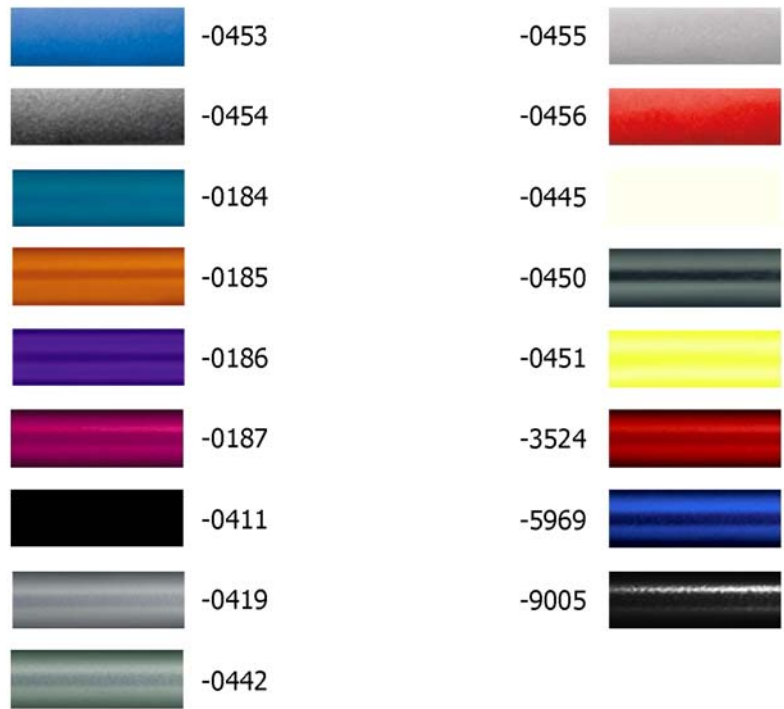
1	-	(Abbreviations)	1
2	-	(Frame colours)	1

(Abbreviations)



L	-	(Left side (sitting in the wheelchair))	0
R	-	(Right side (sitting in the wheelchair))	0
L+R	-	(Left and right sides (paire))	0
SB	-	(Seat width (2 digits in cm or 3 digits in mm))	0
ST	-	(Seat depth (2 digits in cm or 3 digits in mm))	0
RH	-	(Backrest height (2 digits in cm or 3 digits in mm))	0
UL	-	(Knee-to-heel length (2 digits in cm or 3 digits in mm))	0
SHv	-	(Front seat-to-floor height (2 digits in cm or 3 digits in mm))	0
SHh	-	(Rear seat-to-floor height (2 digits in cm or 3 digits in mm))	0
SHD	-	(Front and rear seat-to-floor height difference (2 digits in cm or 3 digits in mm))	0

(Frame colours)

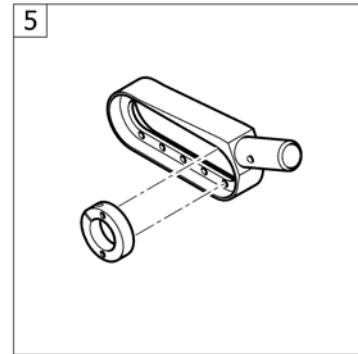
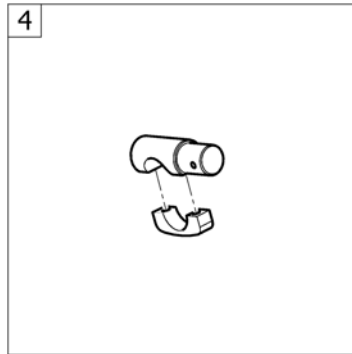
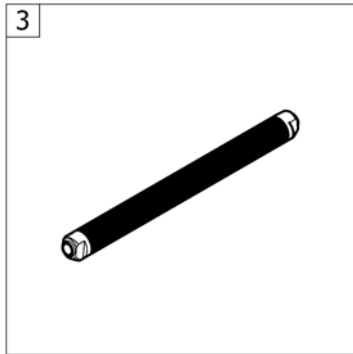
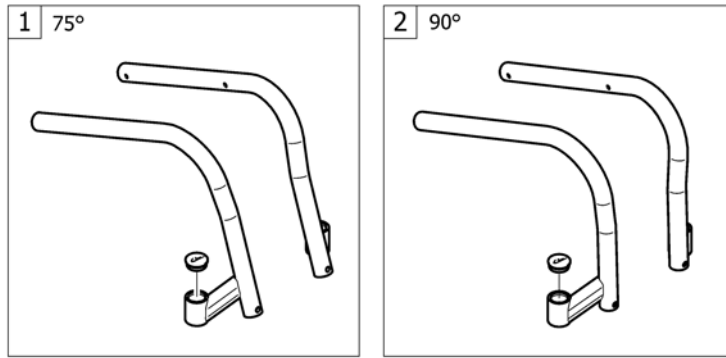


-0453	-	(Color code for attract blue frames)		0
-0454	-	(Color code for attract black frames)		0
-0455	-	(Color code for attract grey frames)		0
-0456	-	(Color code for attract red frames)		0
-0184	-	(Color code for mercury blue frames)	20.11.2014 → 31.12.2015	0
		<i>Additional lead time, please contact Küschall customer service</i>		
-0185	-	(Color code for dynamite orange frames)	20.11.2014 → 31.12.2015	0
		<i>Additional lead time, please contact Küschall customer service</i>		
-0186	-	(Color code for atomic violet frames)	20.11.2014 → 31.12.2015	0
		<i>Additional lead time, please contact Küschall customer service</i>		
-0187	-	(Color code for nitro pink frames)	20.11.2014 → 31.12.2015	0
		<i>Additional lead time, please contact Küschall customer service</i>		
-0411	-	(Color code for black matt frames)	20.11.2014 → 31.12.2015	0
		<i>Additional lead time, please contact Küschall customer service</i>		
-0419	-	(Color code for silver grey frames)	20.11.2014 → 31.12.2015	0
		<i>Additional lead time, please contact Küschall customer service</i>		
-0442	-	(Color code for night shimmer frames)	20.11.2014 → 31.12.2015	0
		<i>Additional lead time, please contact Küschall customer service</i>		
-0445	-	(Color code for ivory white frames)	20.11.2014 → 31.12.2015	0
		<i>Additional lead time, please contact Küschall customer service</i>		
-0450	-	(Color code for smokey grey frames)	20.11.2014 → 31.12.2015	0
		<i>Additional lead time, please contact Küschall customer service</i>		
-0451	-	(Color code for flashy yellow frames)	20.11.2014 → 31.12.2015	0
		<i>Additional lead time, please contact Küschall customer service</i>		
-3524	-	(Color code for royal red frames)	20.11.2014 → 31.12.2015	0
		<i>Additional lead time, please contact Küschall customer service</i>		

(Frame colours)

-5969	-	(Color code for royal blue frames)	20.11.2014 → 31.12.2015	0
		<i>Additional lead time, please contact Küschall customer service</i>		
-9005	-	(Color code for glossy black frames)	20.11.2014 → 31.12.2015	0
		<i>Additional lead time, please contact Küschall customer service</i>		

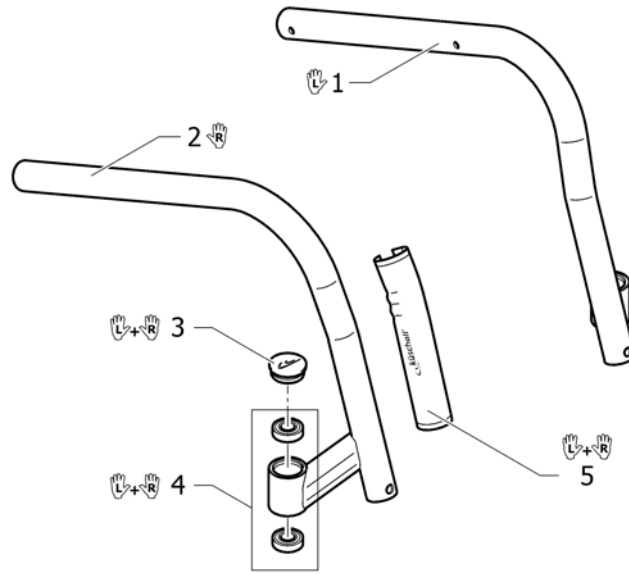
(CHASSIS)



1	-	(Frame Aluminium 75° adducted)	1
2	-	(Frame Aluminium 90° adducted)	1
3	-	(Axle tube Aluminium)	1
4	-	(Axle holder)	1
5	-	(Rear wheel extension standard)	1

01.07.2015 →

(Frame Aluminium 75° adducted)

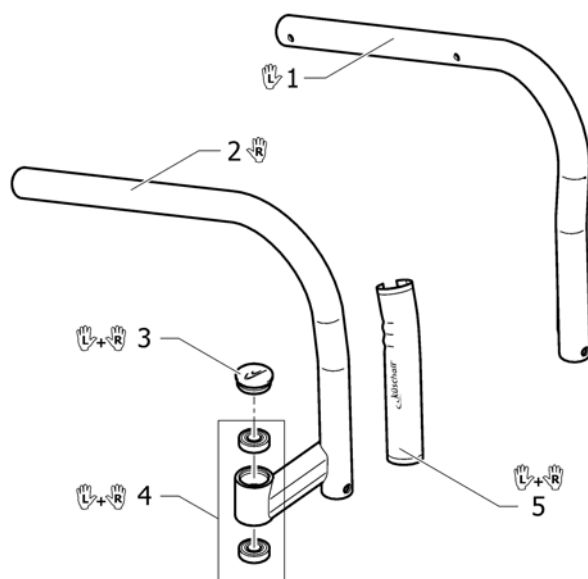


1	1583471-0184	(Front frame 75°, adducted, left, mercury blue)	20.11.2014 → 31.12.2015	1
1	1583471-0185	(Front frame 75°, adducted, left, dynamite orange)	20.11.2014 → 31.12.2015	1
1	1583471-0186	(Front frame 75°, adducted, left, atomic violet)	20.11.2014 → 31.12.2015	1
1	1583471-0187	(Front frame 75°, adducted, left, nitro pink)	20.11.2014 → 31.12.2015	1
1	1583471-0411	(Front frame 75°, adducted, left, black matt)	20.11.2014 → 31.12.2015	1
1	1583471-0419	(Front frame 75°, adducted, left, silver grey)	20.11.2014 → 31.12.2015	1
1	1583471-0442	(Front frame 75°, adducted, left, night shimmer)	20.11.2014 → 31.12.2015	1
1	1583471-0445	(Front frame 75°, adducted, left, ivory white)	20.11.2014 → 31.12.2015	1
1	1583471-0450	(Front frame 75°, adducted, left, smokey grey)	20.11.2014 → 31.12.2015	1
1	1583471-0451	(Front frame 75°, adducted, left, flashy yellow)	20.11.2014 → 31.12.2015	1
1	1583471-0453	(Front frame 75°, adducted, left, attract blue)		1
1	1583471-0454	(Front frame 75°, adducted, left, attract black)		1
1	1583471-0455	(Front frame 75°, adducted, left, attract grey)		1
1	1583471-0456	(Front frame 75°, adducted, left, attract red)		1
1	1583471-3524	(Front frame 75°, adducted, left, royal red)	20.11.2014 → 31.12.2015	1
1	1583471-5969	(Front frame 75°, adducted, left, royal blue)	20.11.2014 → 31.12.2015	1
1	1583471-9005	(Front frame 75°, adducted, left, glossy black)	20.11.2014 → 31.12.2015	1
2	1583472-0184	(Front frame 75°, adducted, right, mercury blue)	20.11.2014 → 31.12.2015	1
2	1583472-0185	(Front frame 75°, adducted, right, dynamite orange)	20.11.2014 → 31.12.2015	1

Kuschall® K-Series attract | (CHASSIS)
(Frame Aluminium 75° adducted)

2	1583472-0186	(Front frame 75°, adducted, right, atomic violet)	20.11.2014 → 31.12.2015	1
2	1583472-0187	(Front frame 75°, adducted, right, nitro pink)	20.11.2014 → 31.12.2015	1
2	1583472-0411	(Front frame 75°, adducted, right, black matt)	20.11.2014 → 31.12.2015	1
2	1583472-0419	(Front frame 75°, adducted, right, silver grey)	20.11.2014 → 31.12.2015	1
2	1583472-0442	(Front frame 75°, adducted, right, night shimmer)	20.11.2014 → 31.12.2015	1
2	1583472-0445	(Front frame 75°, adducted, right, ivory white)	20.11.2014 → 31.12.2015	1
2	1583472-0450	(Front frame 75°, adducted, right, smokey grey)	20.11.2014 → 31.12.2015	1
2	1583472-0451	(Front frame 75°, adducted, right, flashy yellow)	20.11.2014 → 31.12.2015	1
2	1583472-0453	(Front frame 75°, adducted, right, attract blue)		1
2	1583472-0454	(Front frame 75°, adducted, right, attract black)		1
2	1583472-0455	(Front frame 75°, adducted, right, attract grey)		1
2	1583472-0456	(Front frame 75°, adducted, right, attract red)		1
2	1583472-3524	(Front frame 75°, adducted, right, royal red)	20.11.2014 → 31.12.2015	1
2	1583472-5969	(Front frame 75°, adducted, right, royal blue)	20.11.2014 → 31.12.2015	1
2	1583472-9005	(Front frame 75°, adducted, right, glossy black)	20.11.2014 → 31.12.2015	1
3	1487961-0004	STØVKAPPE GAFFELHUS SORT KUSCHALL K4 PAR		1
4	1451718	KULELAGER KO5 KUSCHALL		1
5	1529372	RAMMEBESKYTTER FRONT KSL		1

(Frame Aluminium 90° adducted)

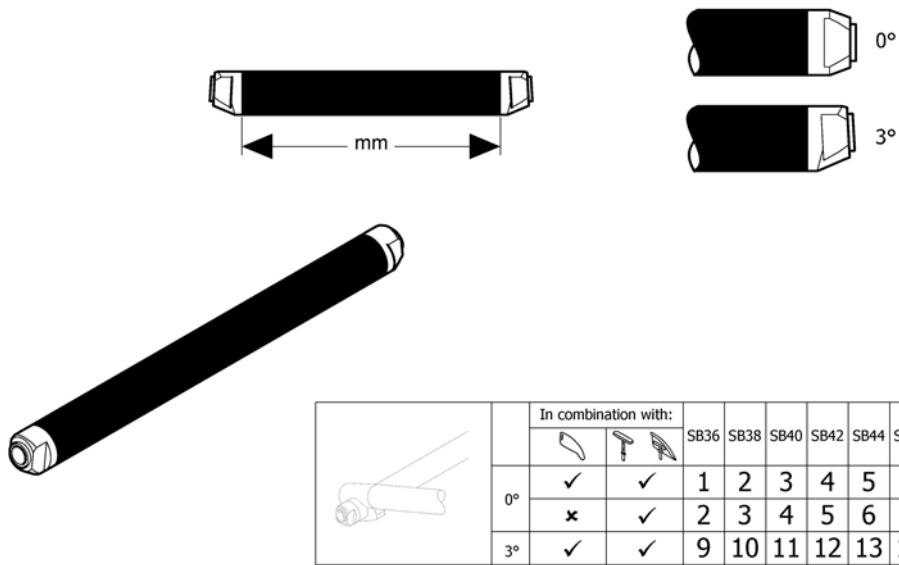


1	1583473-0184	(Front frame 90°, adducted, left, mercury blue)	20.11.2014 → 31.12.2015	1
1	1583473-0185	(Front frame 90°, adducted, left, dynamite orange)	20.11.2014 → 31.12.2015	1
1	1583473-0186	(Front frame 90°, adducted, left, atomic violet)	20.11.2014 → 31.12.2015	1
1	1583473-0187	(Front frame 90°, adducted, left, nitro pink)	20.11.2014 → 31.12.2015	1
1	1583473-0411	(Front frame 90°, adducted, left, black matt)	20.11.2014 → 31.12.2015	1
1	1583473-0419	(Front frame 90°, adducted, left, silver grey)	20.11.2014 → 31.12.2015	1
1	1583473-0442	(Front frame 90°, adducted, left, night shimmer)	20.11.2014 → 31.12.2015	1
1	1583473-0445	(Front frame 90°, adducted, left, ivory white)	20.11.2014 → 31.12.2015	1
1	1583473-0450	(Front frame 90°, adducted, left, smokey grey)	20.11.2014 → 31.12.2015	1
1	1583473-0451	(Front frame 90°, adducted, left, flashy yellow)	20.11.2014 → 31.12.2015	1
1	1583473-0453	(Front frame 90°, adducted, left, attract blue)		1
1	1583473-0454	(Front frame 90°, adducted, left, attract black)		1
1	1583473-0455	(Front frame 90°, adducted, left, attract grey)		1
1	1583473-0456	(Front frame 90°, adducted, left, attract red)		1
1	1583473-3524	(Front frame 90°, adducted, left, royal red)	20.11.2014 → 31.12.2015	1
1	1583473-5969	(Front frame 90°, adducted, left, royal blue)	20.11.2014 → 31.12.2015	1
1	1583473-9005	(Front frame 90°, adducted, left, glossy black)	20.11.2014 → 31.12.2015	1
2	1583474-0184	(Front frame 90°, adducted, right, mercury blue)	20.11.2014 → 31.12.2015	1
2	1583474-0185	(Front frame 90°, adducted, right, dynamite orange)	20.11.2014 → 31.12.2015	1

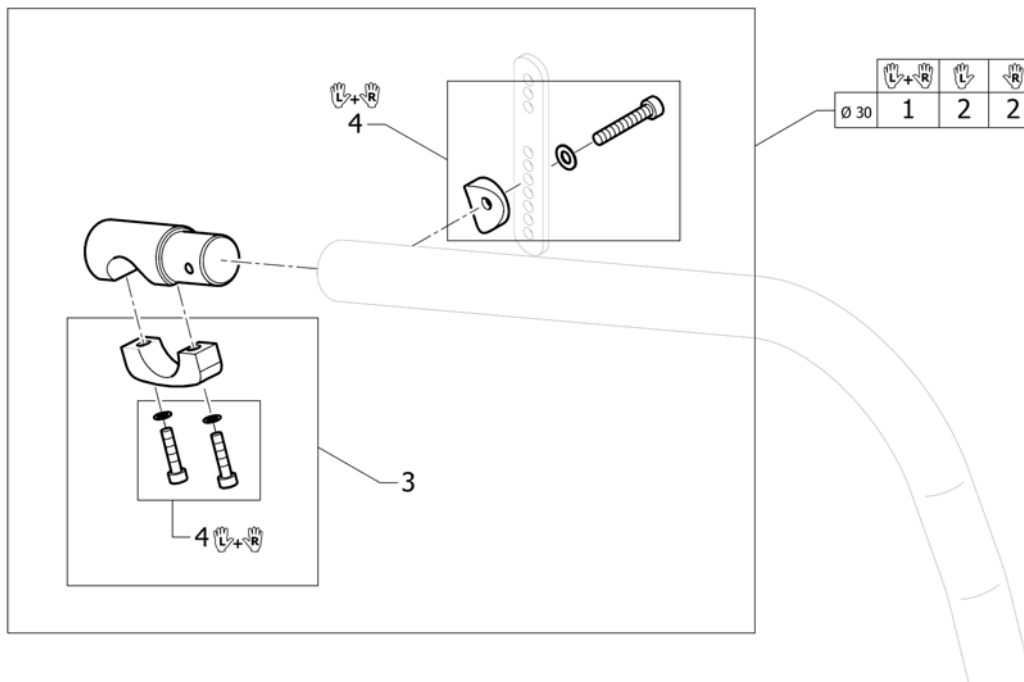
Kuschall® K-Series attract | (CHASSIS)
(Frame Aluminium 90° adducted)

2	1583474-0186	(Front frame 90°, adducted, right, atomic violet)	20.11.2014 → 31.12.2015	1
2	1583474-0187	(Front frame 90°, adducted, right, nitro pink)	20.11.2014 → 31.12.2015	1
2	1583474-0411	(Front frame 90°, adducted, right, black matt)	20.11.2014 → 31.12.2015	1
2	1583474-0419	(Front frame 90°, adducted, right, silver grey)	20.11.2014 → 31.12.2015	1
2	1583474-0442	(Front frame 90°, adducted, right, night shimmer)	20.11.2014 → 31.12.2015	1
2	1583474-0445	(Front frame 90°, adducted, right, ivory white)	20.11.2014 → 31.12.2015	1
2	1583474-0450	(Front frame 90°, adducted, right, smokey grey)	20.11.2014 → 31.12.2015	1
2	1583474-0451	(Front frame 90°, adducted, right, flashy yellow)	20.11.2014 → 31.12.2015	1
2	1583474-0453	(Front frame 90°, adducted, right, attract blue)		1
2	1583474-0454	(Front frame 90°, adducted, right, attract black)		1
2	1583474-0455	(Front frame 90°, adducted, right, attract grey)		1
2	1583474-0456	(Front frame 90°, adducted, right, attract red)		1
2	1583474-3524	(Front frame 90°, adducted, right, royal red)	20.11.2014 → 31.12.2015	1
2	1583474-5969	(Front frame 90°, adducted, right, royal blue)	20.11.2014 → 31.12.2015	1
2	1583474-9005	(Front frame 90°, adducted, right, glossy black)	20.11.2014 → 31.12.2015	1
3	1487961-0004	STØVKAPPE GAFFELHUS SORT KUSCHALL K4 PAR		1
4	1451718	KULELAGER KO5 KUSCHALL		1
5	1529372	RAMMEBESKYTTER FRONT KSL		1

(Axle tube Aluminium)

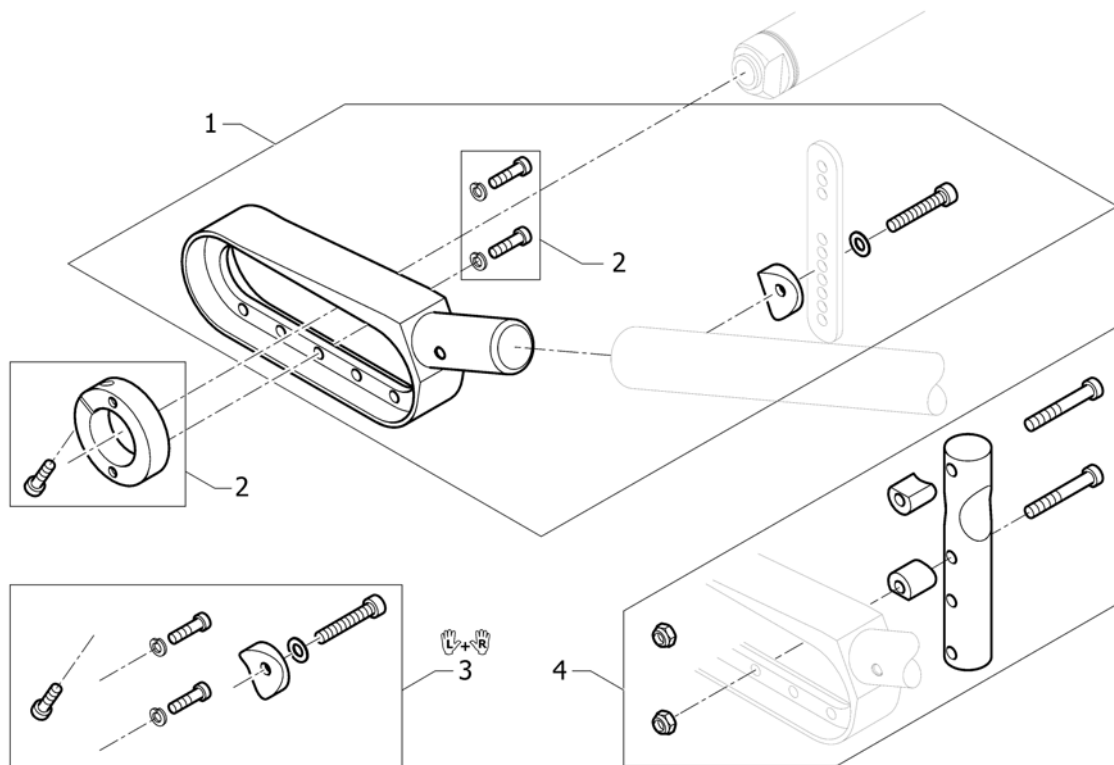


1	1583478	(Axle tube Aluminium 0° complete, 338mm)	1
2	1583479	(Axle tube Aluminium 0° complete, 358mm)	1
3	1583480	(Axle tube Aluminium 0° complete, 378mm)	1
4	1583481	(Axle tube Aluminium 0° complete, 398mm)	1
5	1583482	(Axle tube Aluminium 0° complete, 418mm)	1
6	1583483	(Axle tube Aluminium 0° complete, 438mm)	1
7	1583484	(Axle tube Aluminium 0° complete, 458mm)	1
8	1583637	(Axle tube Aluminium 0° complete, 478mm)	1
9	1583486	(Axle tube Aluminium 3° complete, 364mm)	1
10	1583487	(Axle tube Aluminium 3° complete, 384mm)	1
11	1583488	(Axle tube Aluminium 3° complete, 404mm)	1
12	1583489	(Axle tube Aluminium 3° complete, 424mm)	1
13	1583490	(Axle tube Aluminium 3° complete, 444mm)	1
14	1583491	(Axle tube Aluminium 3° complete, 464mm)	1
15	1583492	(Axle tube Aluminium 3° complete, 484mm)	1

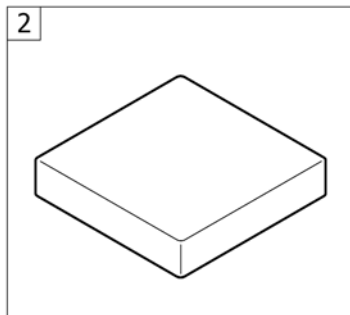
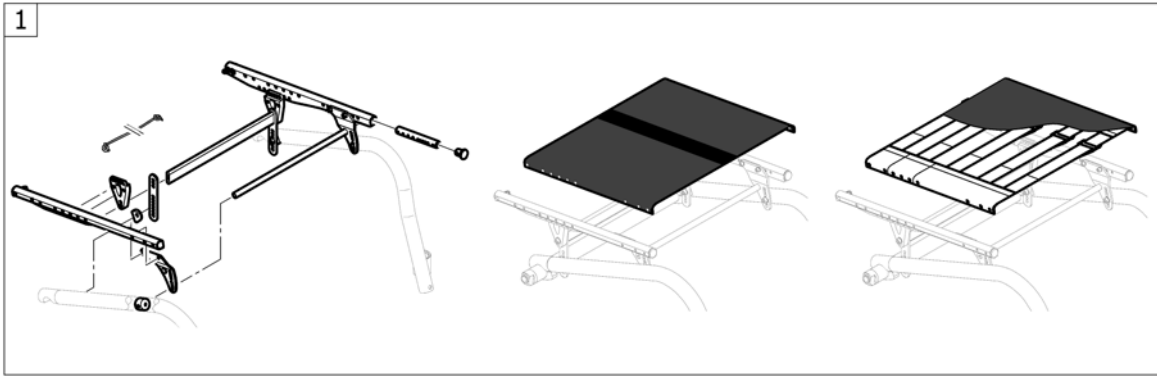


1	1583953	(Axle holder complete Ø30, pair)	1
2	1583954	(Axle holder complete Ø30)	2
3	1583955	(Axle holder latch Ø30)	2
4	1583956	(Assembly kit for pair axle holder)	1

(Rear wheel extension standard)

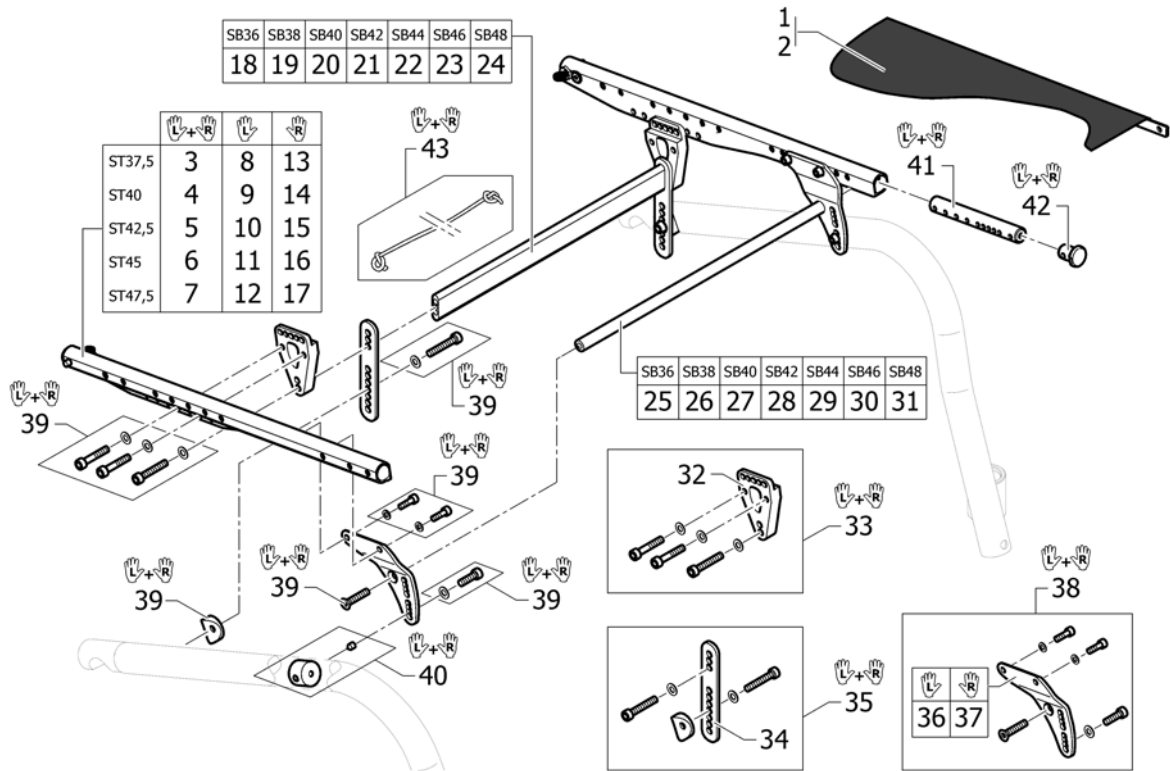


1	1589112	(Rear wheel extension standard, black, complete)	2
2	1545857	(Clamping ring Ø50/30 incl. screw kit)	2
3	1545860	(Assembly kit for pair rear wheel extension)	1
4	1545861	(Adaptation holder, kit for rear wheel extension standard)	2



1	-	(Seat module)	1
2	-	(Seat cushion standard)	1

(Seat module)

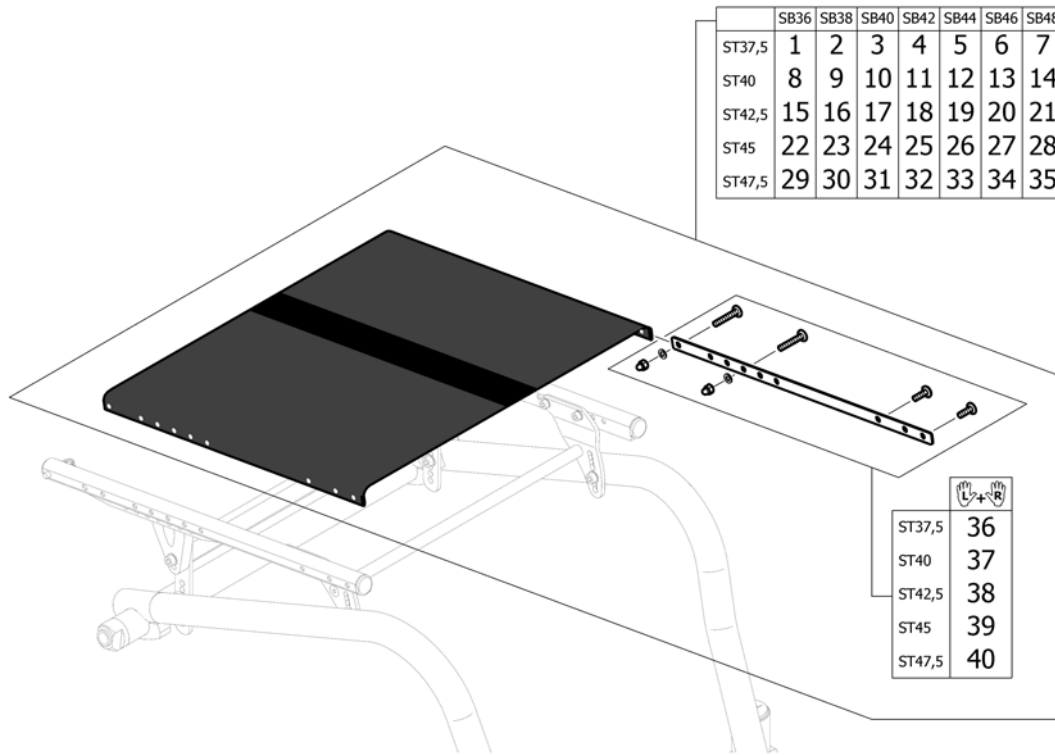


1	-	(Seatcover standard)	1
2	-	(Seatcover adjustable)	1
3	1583961	(Seat frame rail ST37,5, pair)	1
4	1583962	(Seat frame rail ST40, pair)	1
5	1583963	(Seat frame rail ST42,5, pair)	1
6	1583964	(Seat frame rail ST45, pair)	1
7	1583965	(Seat frame rail ST47,5, pair)	1
8	1583966	(Seat frame rail ST37,5 left)	1
9	1583967	(Seat frame rail ST40 left)	1
10	1583968	(Seat frame rail ST42,5 left)	1
11	1583969	(Seat frame rail ST45 left)	1
12	1583970	(Seat frame rail ST47,5 left)	1
13	1583971	(Seat frame rail ST37,5 right)	1
14	1583972	(Seat frame rail ST40 right)	1
15	1583973	(Seat frame rail ST42,5 right)	1
16	1583974	(Seat frame rail ST45 right)	1
17	1583975	(Seat frame rail ST47,5 right)	1
18	1583976	(Seat brace horizontal rear, 282mm)	1
19	1583977	(Seat brace horizontal rear, 302mm)	1
20	1583978	(Seat brace horizontal rear, 322mm)	1
21	1583979	(Seat brace horizontal rear, 342mm)	1
22	1583980	(Seat brace horizontal rear, 362mm)	1
23	1583981	(Seat brace horizontal rear, 382mm)	1
24	1583982	(Seat brace horizontal rear, 402mm)	1
25	1583983	(Seat brace horizontal, 289mm)	1
26	1583984	(Seat brace horizontal, 309mm)	1
27	1583985	(Seat brace horizontal, 329mm)	1
28	1583986	(Seat brace horizontal, 349mm)	1
29	1583987	(Seat brace horizontal, 369mm)	1
30	1583988	(Seat brace horizontal, 389mm)	1
31	1583989	(Seat brace horizontal, 409mm)	1

(Seat module)

32	1583990	(Hinge bracket Seat Frame, rear)	2
33	1583991	(Hinge bracket-Set Seat Frame, rear, pair)	1
34	1583992	(Seat brace vertical)	2
35	1583993	(Seat brace-Set vertical, pair)	1
36	1583995	(Hinge bracket Front Seat, left)	1
37	1583994	(Hinge bracket Front Seat, right)	1
38	1583996	(Hinge bracket-Set Front Seat Frame, pair)	1
39	1583997	(Fixation kit to hinge brackets)	1
40	1583998	(Threadet sleeve, pair)	1
41	1583999	(Thread insert Front Seat Frame, pair)	1
42	1486539-0004	PLASTPLUGG SETERAMME FRONT K-SERIEN	1
43	1554427	TAU UTLØSERMEKNISME RYGG K4 SERIEN	1

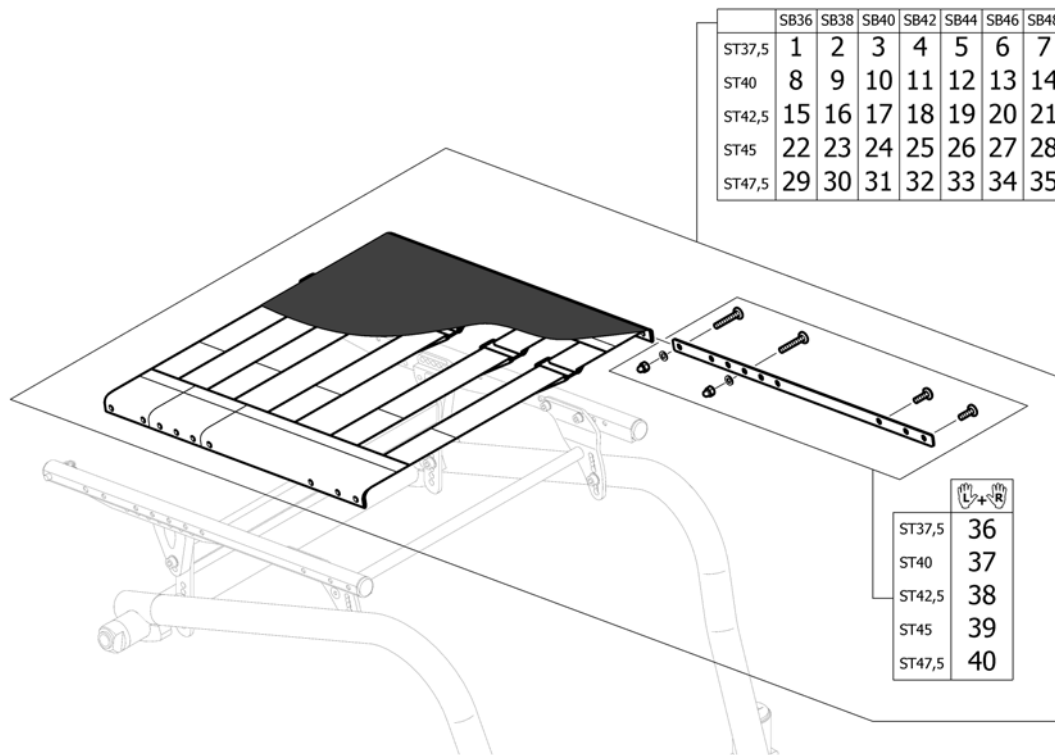
(Seatcover standard)



1	1584002	(Seatcover standard complete SB36 ST37,5)	1
2	1584003	(Seatcover standard complete SB38 ST37,5)	1
3	1584004	(Seatcover standard complete SB40 ST37,5)	1
4	1584005	(Seatcover standard complete SB42 ST37,5)	1
5	1584006	(Seatcover standard complete SB44 ST37,5)	1
6	1584007	(Seatcover standard complete SB46 ST37,5)	1
7	1584008	(Seatcover standard complete SB48 ST37,5)	1
8	1584009	(Seatcover standard complete SB36 ST40)	1
9	1584010	(Seatcover standard complete SB38 ST40)	1
10	1584011	(Seatcover standard complete SB40 ST40)	1
11	1584012	(Seatcover standard complete SB42 ST40)	1
12	1584013	(Seatcover standard complete SB44 ST40)	1
13	1584059	(Seatcover standard complete SB46 ST40)	1
14	1584060	(Seatcover standard complete SB48 ST40)	1
15	1584061	(Seatcover standard complete SB36 ST42,5)	1
16	1584062	(Seatcover standard complete SB38 ST42,5)	1
17	1584063	(Seatcover standard complete SB40 ST42,5)	1
18	1584064	(Seatcover standard complete SB42 ST42,5)	1
19	1584065	(Seatcover standard complete SB44 ST42,5)	1
20	1584066	(Seatcover standard complete SB46 ST42,5)	1
21	1584067	(Seatcover standard complete SB48 ST42,5)	1
22	1584068	(Seatcover standard complete SB36 ST45/+5)	1
23	1584069	(Seatcover standard complete SB38 ST45/+5)	1
24	1584070	(Seatcover standard complete SB40 ST45/+5)	1
25	1584071	(Seatcover standard complete SB42 ST45/+5)	1
26	1584072	(Seatcover standard complete SB44 ST45/+5)	1
27	1584073	(Seatcover standard complete SB46 ST45/+5)	1
28	1584074	(Seatcover standard complete SB48 ST45/+5)	1
29	1584075	(Seatcover standard complete SB36 ST47,5)	1
30	1584076	(Seatcover standard complete SB38 ST47,5)	1
31	1584077	(Seatcover standard complete SB40 ST47,5)	1

32	1584078	(Seatcover standard complete SB42 ST47,5)	1
33	1584079	(Seatcover standard complete SB44 ST47,5)	1
34	1584080	(Seatcover standard complete SB46 ST47,5)	1
35	1584196	(Seatcover standard complete SB48 ST47,5)	1
36	1584676	(Seat rail kit ST37,5, pair)	1
37	1584677	(Seat rail kit ST40, pair)	1
38	1584748	(Seat rail kit ST42,5, pair)	1
39	1584749	(Seat rail kit ST45, pair)	1
40	1584750	(Seat rail kit ST47,5, pair)	1

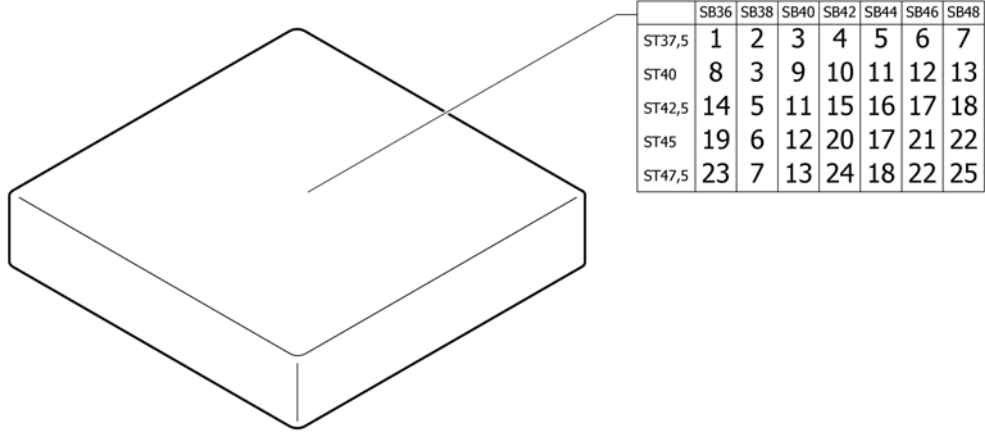
(Seatcover adjustable)



1	1584197	(Seatcover adjustable complete SB36 ST37,5)	1
2	1584241	(Seatcover adjustable complete SB38 ST37,5)	1
3	1584242	(Seatcover adjustable complete SB40 ST37,5)	1
4	1584243	(Seatcover adjustable complete SB42 ST37,5)	1
5	1584274	(Seatcover adjustable complete SB44 ST37,5)	1
6	1584275	(Seatcover adjustable complete SB46 ST37,5)	1
7	1584276	(Seatcover adjustable complete SB48 ST37,5)	1
8	1584332	(Seatcover adjustable complete SB36 ST40)	1
9	1584333	(Seatcover adjustable complete SB38 ST40)	1
10	1584334	(Seatcover adjustable complete SB40 ST40)	1
11	1584336	(Seatcover adjustable complete SB42 ST40)	1
12	1584337	(Seatcover adjustable complete SB44 ST40)	1
13	1584338	(Seatcover adjustable complete SB46 ST40)	1
14	1584339	(Seatcover adjustable complete SB48 ST40)	1
15	1584341	(Seatcover adjustable complete SB36 ST42,5)	1
16	1584342	(Seatcover adjustable complete SB38 ST42,5)	1
17	1584432	(Seatcover adjustable complete SB40 ST42,5)	1
18	1584481	(Seatcover adjustable complete SB42 ST42,5)	1
19	1584482	(Seatcover adjustable complete SB44 ST42,5)	1
20	1584483	(Seatcover adjustable complete SB46 ST42,5)	1
21	1584484	(Seatcover adjustable complete SB48 ST42,5)	1
22	1584485	(Seatcover adjustable complete SB36 ST45/+5)	1
23	1584486	(Seatcover adjustable complete SB38 ST45/+5)	1
24	1584487	(Seatcover adjustable complete SB40 ST45/+5)	1
25	1584488	(Seatcover adjustable complete SB42 ST45/+5)	1
26	1584489	(Seatcover adjustable complete SB44 ST45/+5)	1
27	1584490	(Seatcover adjustable complete SB46 ST45/+5)	1
28	1584592	(Seatcover adjustable complete SB48 ST45/+5)	1
29	1584593	(Seatcover adjustable complete SB36 ST47,5)	1
30	1584594	(Seatcover adjustable complete SB38 ST47,5)	1
31	1584595	(Seatcover adjustable complete SB40 ST47,5)	1

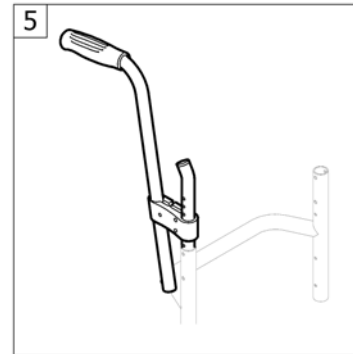
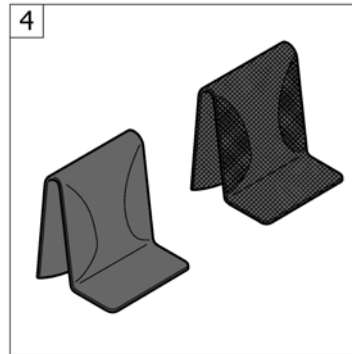
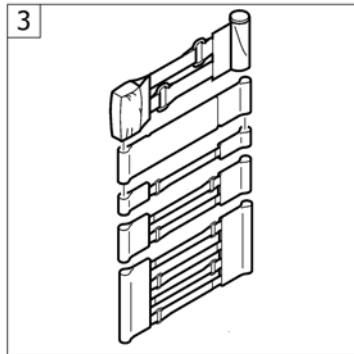
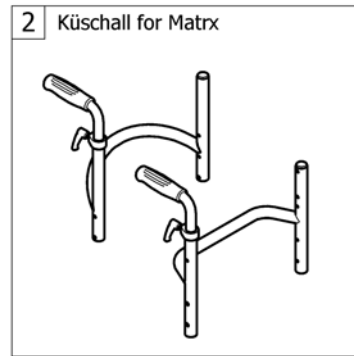
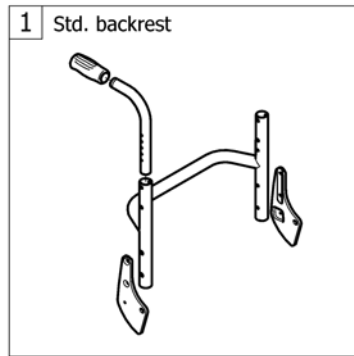
32	1584672	(Seatcover adjustable complete SB42 ST47,5)	1
33	1584673	(Seatcover adjustable complete SB44 ST47,5)	1
34	1584674	(Seatcover adjustable complete SB46 ST47,5)	1
35	1584675	(Seatcover adjustable complete SB48 ST47,5)	1
36	1584676	(Seat rail kit ST37,5, pair)	1
37	1584677	(Seat rail kit ST40, pair)	1
38	1584748	(Seat rail kit ST42,5, pair)	1
39	1584749	(Seat rail kit ST45, pair)	1
40	1584750	(Seat rail kit ST47,5, pair)	1

(Seat cushion standard)



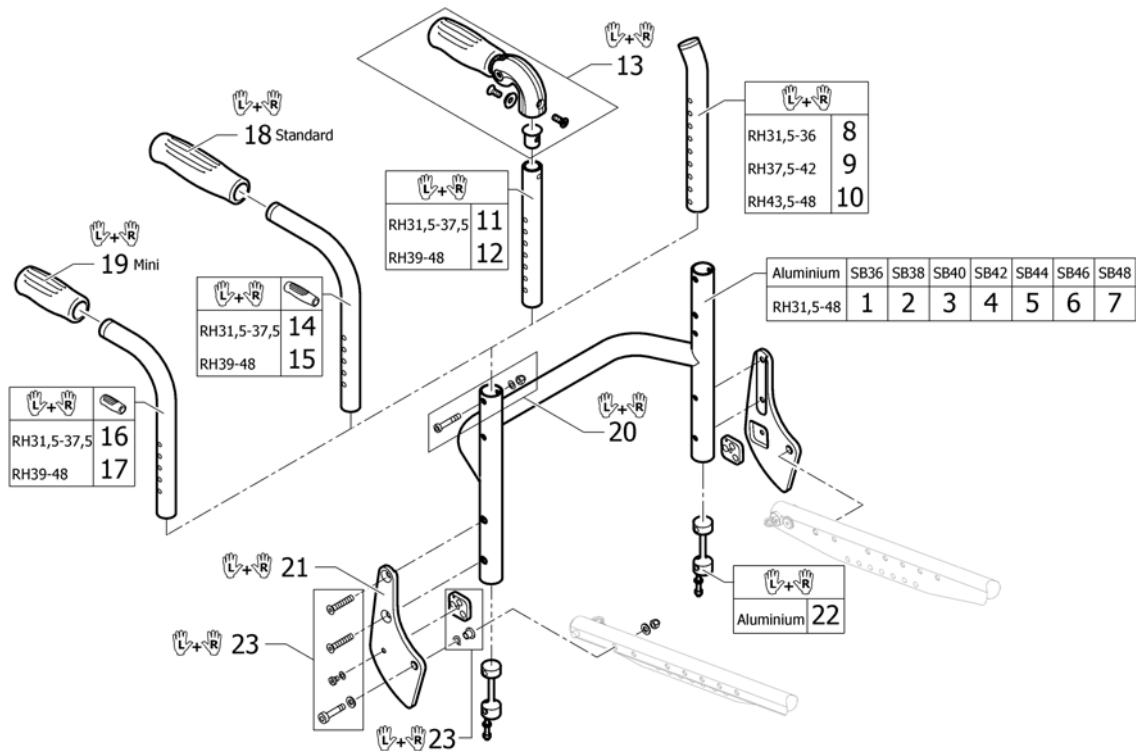
1	1556336	PUTE SETE SB 36 SD38 KUSCHALL	1
2	1556344	SETEPUTE 380mm x 380mm KUSCHALL	1
3	1556345	SETEPUTE STD 380mm x 400mm	1
4	1556346	SETEPUTE 42/38/5 SORT KUSCHALL	1
5	1556347	(Seat cushion 380mm x 440mm)	1
6	1556348	(Seat cushion 380mm x 460mm)	1
7	1556349	(Seat cushion 380mm x 480mm)	1
8	1556337	SETEPUTE 360mm x 400mm KUSCHALL	1
9	1556352	SETEPUTE 40/40/5 SORT KUSCHALL	1
10	1556353	SETEPUTE 42/40/5 SORT KUSCHALL	1
11	1556354	SETEPUTE 40X44X5 SORT KUSCHALL	1
12	1556355	SETEPUTE 400mm x 460mm KUSCHALL	1
13	1556356	(Seat cushion 400mm x 480mm)	1
14	1556339	(Seat cushion 360mm x 440mm)	1
15	1556360	(Seat cushion 420mm x 440mm)	1
16	1556365	SETEPUTE 44/44/5 SORT KUSCHALL	1
17	1556366	SETEPUTE 46/44/5 SORT KUSCHALL	1
18	1556367	SETEPUTE 44/48/5 SORT KUSCHALL	1
19	1556340	(Seat cushion 360mm x 460mm)	1
20	1556361	SETEPUTE 420mm x 460mm KUSCHALL	1
21	1556370	SETEPUTE 46/46/5 SORT KUSCHALL	1
22	1556371	(Seat cushion 460mm x 480mm)	1
23	1556341	(Seat cushion 360mm x 480mm)	1
24	1556362	(Seat cushion 420mm x 480mm)	1
25	1556374	SETEPUTE 48/48/5 SORT KUSCHALL	1

(BACKREST)



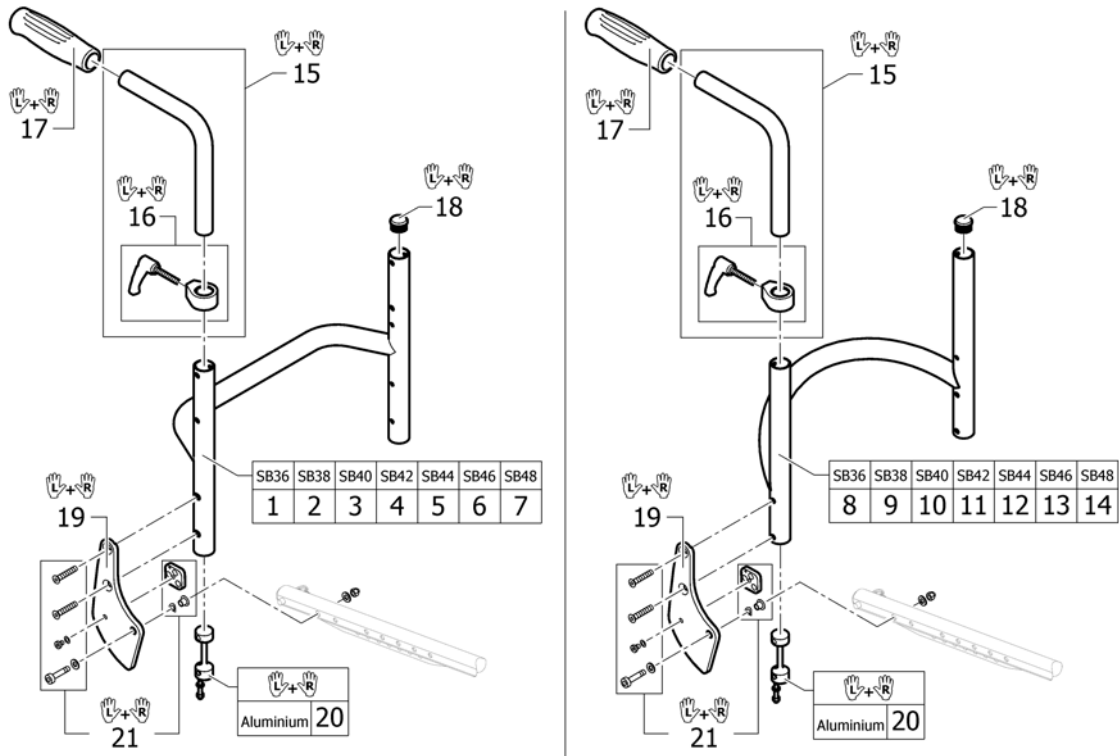
1	-	(Straight bar backrest)		1
2	-	(Küschall backrest parts for Matrix backs)	01.01.2016 →	1
3	-	(Bands to adjustable backrest)		1
4	-	(Cover to adjustable backrest)		1
5	-	(Push handles, height adjustable, rear set)		1

(Straight bar backrest)



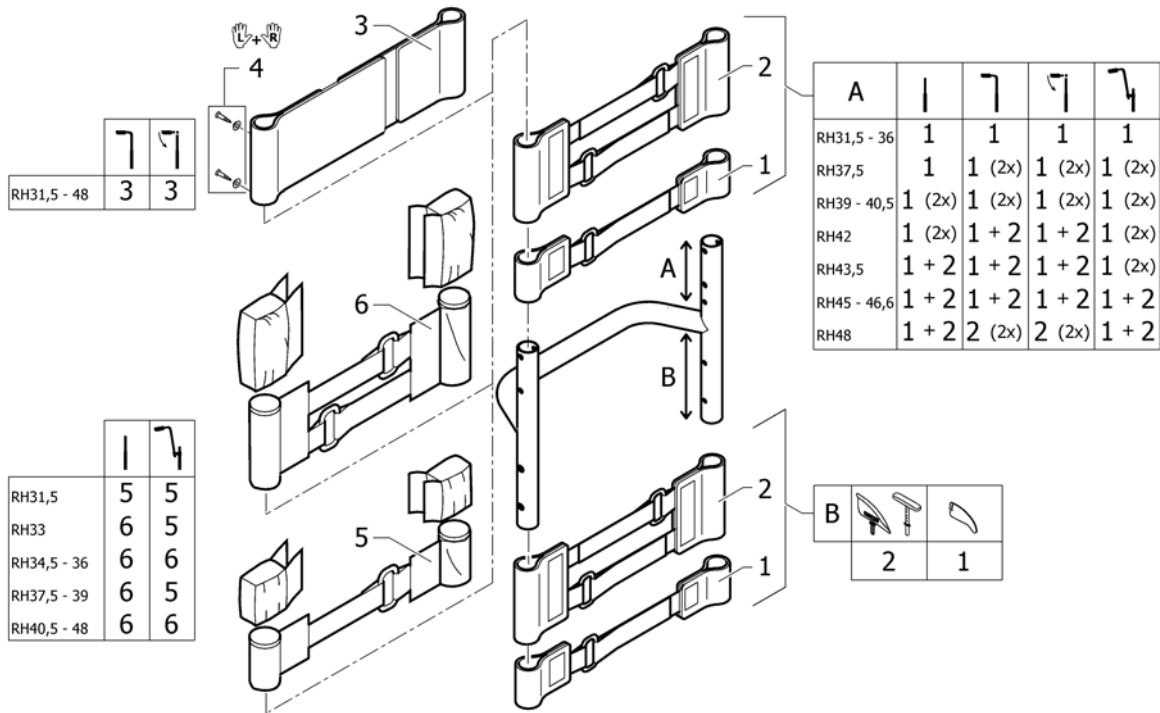
1	1582699	(Straight bar backrest tube Alu SB36 Long)	1
2	1582700	(Straight bar backrest tube Alu SB38 Long)	1
3	1582701	(Straight bar backrest tube Alu SB40 Long)	1
4	1582702	(Straight bar backrest tube Alu SB42 Long)	1
5	1582703	(Straight bar backrest tube Alu SB44 Long)	1
6	1582704	(Straight bar backrest tube Alu SB46 Long)	1
7	1582732	(Straight bar backrest tube Alu SB48 Long)	1
8	1546913	(Telescopic back tube standard short, pair)	1
9	1546914	(Telescopic back tube standard medium, pair)	1
10	1546946	(Telescopic back tube standard long, pair)	1
11	1524956	TELESKOPRØR KORT PAR FOR FOLDB.KJØREHÅNDTAK K 4	1
12	1525121	TELESKOPRØR MED. PAR FOR FOLDB.KJØREHÅNDTAK K 4	1
13	1507733	KJØREHÅNDTAK FOLDBARE KUSCHALL CO PAR	1
14	1525122	RYGG RØR KJØREH PAR KORT K SERIE	1
15	1525123	RYGG RØR KJØREH PAR STANDARD LANG K-SERIE	1
16	1525124	RYGG RØR MINI KORT PAR K-SERIES	1
17	1525125	RYGG RØR MINI LANG PAR K-SERIES	1
18	1507734	KJØREHÅNDTAK SVART PLAST PAR KUSCHALL	1
19	1525126	KJØREHÅNDTAK MINI SORT PLAST KUSCHALL	1
20	1546947	SKRUER TIL RYGGRØR K-SERIEN	1
21	1583957-0004	(Backrest joint plate, pair, black anodized)	1
22	1546948	(Sleeves for backrest tube alu, pair complete)	1
23	1583958	(Fixation kit to backrest joint)	1

(Küschall backrest parts for Matrix backs)



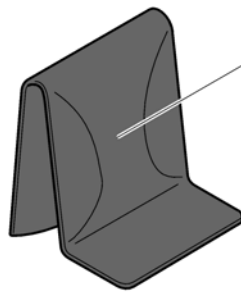
1	1582699	(Straight bar backrest tube Alu SB36 Long)	1
2	1582700	(Straight bar backrest tube Alu SB38 Long)	1
3	1582701	(Straight bar backrest tube Alu SB40 Long)	1
4	1582702	(Straight bar backrest tube Alu SB42 Long)	1
5	1582703	(Straight bar backrest tube Alu SB44 Long)	1
6	1582704	(Straight bar backrest tube Alu SB46 Long)	1
7	1582732	(Straight bar backrest tube Alu SB48 Long)	1
8	1561012	(Backrest SB36 for fixed backrest)	1
9	1561013	(Backrest SB38 for fixed backrest)	1
10	1561014	(Backrest SB40 for fixed backrest)	1
11	1561015	(Backrest SB42 for fixed backrest)	1
12	1561016	(Backrest SB44 for fixed backrest)	1
13	1561017	(Backrest SB46 for fixed backrest)	1
14	1564344	(Backrest SB48 for fixed backrest)	1
15	1438203	KJØREHÅNDTAK INTERGRERT KORT 20CM KÜSCHALL PAR	1
16	1549985	JUSTERING HREG PAR KJØREHÅNDTAK KUSCHALL .	1
17	1507734	KJØREHÅNDTAK SVART PLAST PAR KUSCHALL	1
18	1561018	ENDEPLUGG RYGGRØR KUSCHALL Ø24MM	1
19	1583957-0004	(Backrest joint plate, pair, black anodized)	1
20	1546948	(Sleeves for backrest tube alu, pair complete)	1
21	1583958	(Fixation kit to backrest joint)	1

(Bands to adjustable backrest)

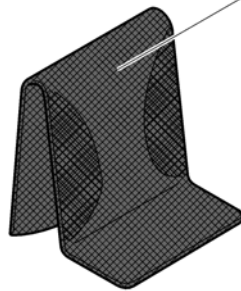


1	1513167	VELCROBÄND JUSTERBART M 1 STROPP K4 2008-MOD	1
2	1513168	VELCROBÄND JUSTERBART M 2 STROPP COMPACT-2004M	1
3	1513171	VELCROBÄND TOPP 10 CM 2-DELT ALLE 2008->	1
4	1432083	FESTEKIT FOR RYGGBÄND CHAMPION KÜSCHALL	1
5	1513172	VELCROBÄND ENDESTYKKE 5 CM	1
6	1513173	VELCROBÄND ENDESTYKKE 10 CM	1

(Cover to adjustable backrest)



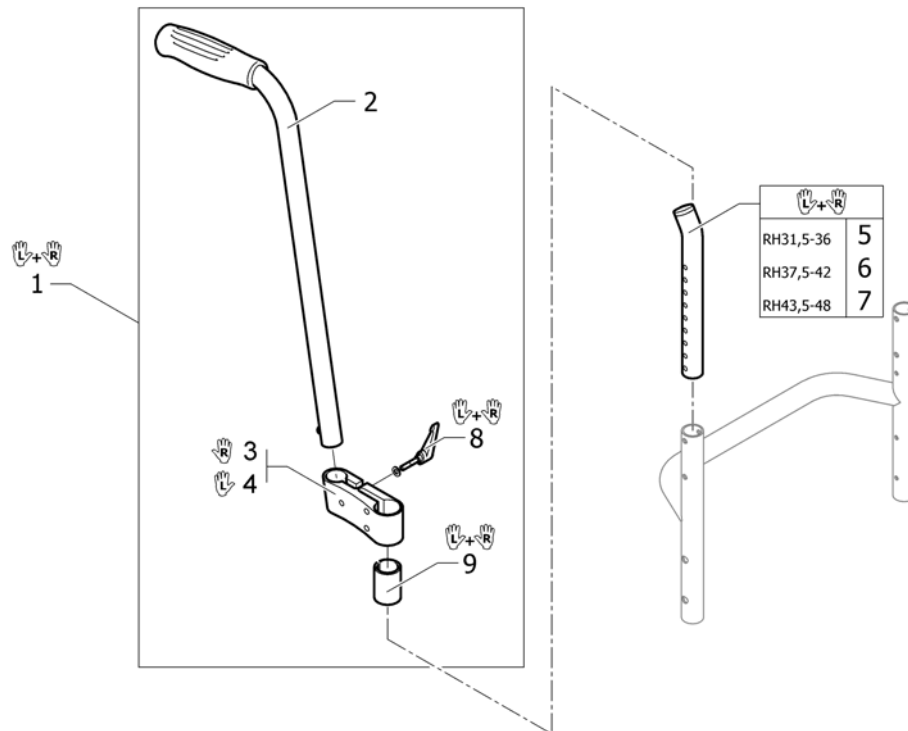
Std. (black)	SB36-38	SB40-42	SB44-46	SB48
RH31,5-36	1	2	3	4
RH37,5-42	5	6	7	8
RH43,5-48	9	10	11	12



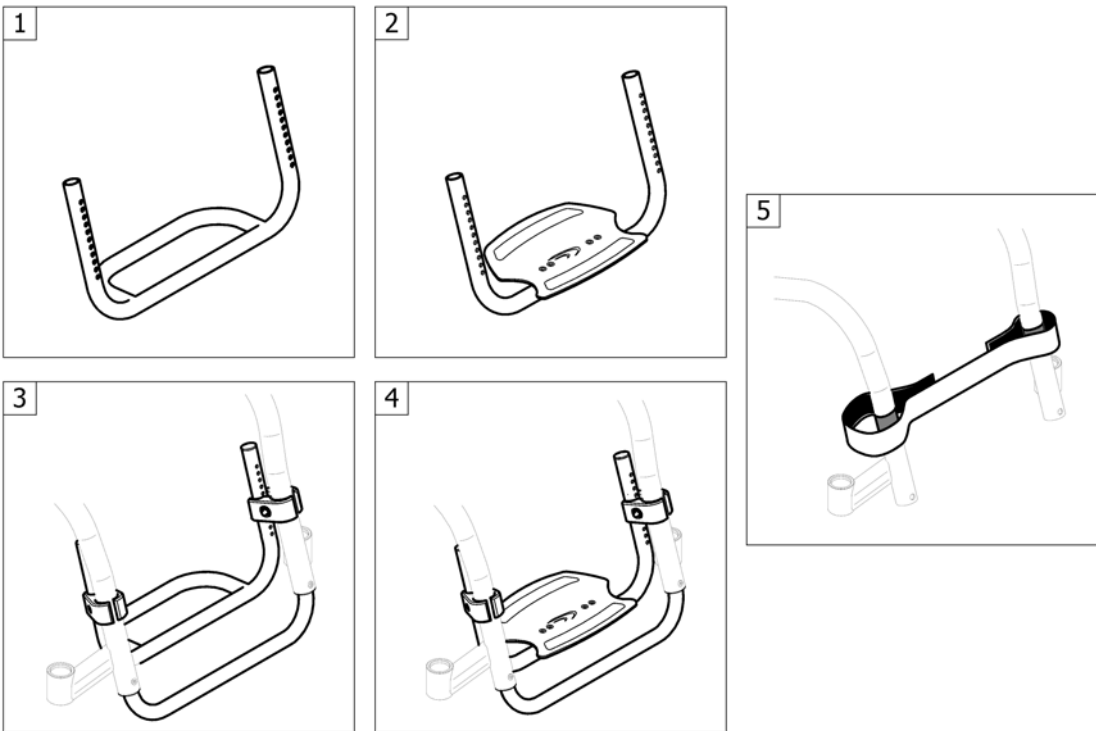
AeroBack	SB36-38	SB40-42	SB44-46	SB48
RH31,5-36	13	14	15	16
RH37,5-42	17	18	19	20
RH43,5-48	21	22	23	24

1	1583109	(Cover black to adjustable backrest, SB36-38, short)	1
2	1583110	(Cover black to adjustable backrest, SB40-42, short)	1
3	1583111	(Cover black to adjustable backrest, SB44-46, short)	1
4	1583112	(Cover black to adjustable backrest, SB48-50, short)	1
5	1583113	(Cover black to adjustable backrest, SB36-38, medium)	1
6	1583114	(Cover black to adjustable backrest, SB40-42, medium)	1
7	1583115	(Cover black to adjustable backrest, SB44-46, medium)	1
8	1583116	(Cover black to adjustable backrest, SB48-50, medium)	1
9	1583117	(Cover black to adjustable backrest, SB36-38, long)	1
10	1583118	(Cover black to adjustable backrest, SB40-42, long)	1
11	1583119	(Cover black to adjustable backrest, SB44-46, long)	1
12	1583120	(Cover black to adjustable backrest, SB48-50, long)	1
13	1512157	(Cover 'Aero' to adjustable backrest, SB36-38, short)	1
14	1512158	RYGGTREKK SB40-42 KORT AEROBACK	1
15	1512159	(Cover 'Aero' to adjustable backrest, SB44-46, short)	1
16	1512160	(Cover 'Aero' to adjustable backrest, SB48-50, short)	1
17	1512162	RYGGTREKK SB36-38 MEDIUM AEROBACK KUSCHALL	1
18	1512163	RYGGTREKK SB40-42 MEDIUM AEROBACK KUSCHALL	1
19	1512164	RYGGTREKK SB44-46 MEDIUM AEROBACK KUSCHALL	1
20	1512165	RYGGTREKK SB48-50 MEDIUM AEROBACK KUSCHALL	1
21	1512167	RYGGTREKK AEROBACK SB36-38 LANG VELCRO RYGG	1
22	1512168	RYGGTREKK SB40-42 LANG AEROBACK CHAMPION-2008	1
23	1512169	RYGGTREKK SB44-46 LANG AEROBACK KUSCHALL	1
24	1512170	(Cover 'Aero' to adjustable backrest, SB48-50, long)	1

(Push handles, height adjustable, rear set)

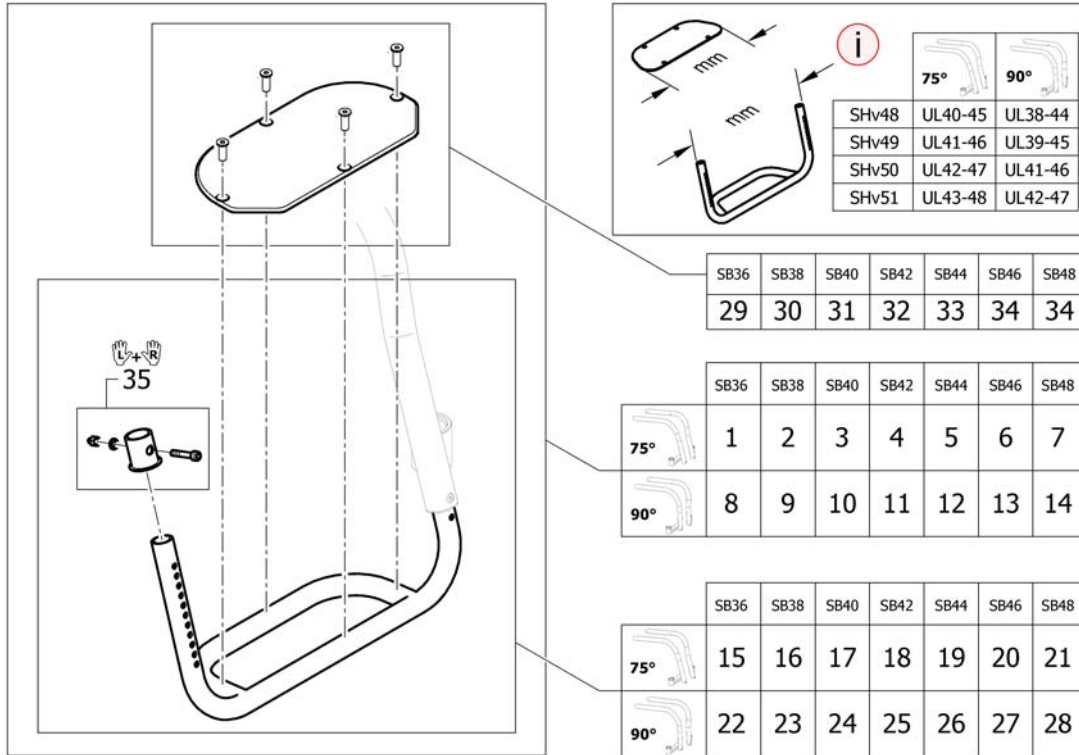


1	1517876	KJØREHÅNDTAK KOMPL PAR FESTE PÅ RYGGALLE	1
2	1438938	BAKENFORLIG KJØREH KPL UTEN FESTE KUSCHALL	2
3	1438939	FESTE BAKENFORLIG KJØREH HØYRE ALLE STOLER	1
4	1438940	FESTE BAKENFORLIG KJØREH VENSTRE ALLE STOLER	1
5	1546913	(Telescopic back tube standard short, pair)	1
6	1546914	(Telescopic back tube standard medium, pair)	1
7	1546946	(Telescopic back tube standard long, pair)	1
8	1529799	PLASTHÅNDTAK FOR REG AV BEKENFORL KJØREHÅNDTAK	1
9	1581293	(Sleeves for mounting fixture, for rearsset push handles, pair)	1



1	-	(Footrest standard for adducted frame)	1
2	-	(Footrest angle adjustable for adducted frame)	1
3	-	(Footrest standard highmounted for adducted frame)	1
4	-	(Footrest angle adjustable highmounted for adducted frame)	1
5	-	(Calf strap)	1

(Footrest standard for adducted frame)

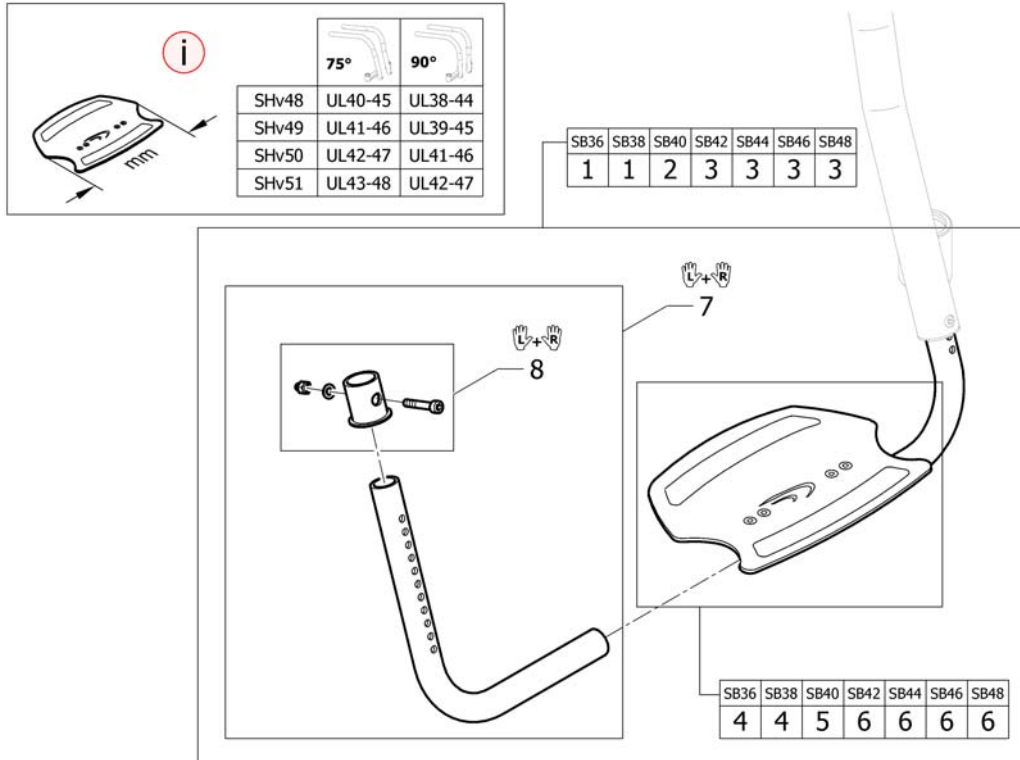


1	1583520	(Footrest Aluminium 310mm with plate for frame 75°)	1
2	1583521	(Footrest Aluminium 330mm with plate for frame 75°)	1
3	1583522	(Footrest Aluminium 350mm with plate for frame 75°)	1
4	1583523	(Footrest Aluminium 370mm with plate for frame 75°)	1
5	1583524	(Footrest Aluminium 390mm with plate for frame 75°)	1
6	1583525	(Footrest Aluminium 410mm with plate for frame 75°)	1
7	1583526	(Footrest Aluminium 430mm with plate for frame 75°)	1
8	1583527	(Footrest Aluminium 310mm with plate for frame 90°)	1
9	1583528	(Footrest Aluminium 330mm with plate for frame 90°)	1
10	1583529	(Footrest Aluminium 350mm with plate for frame 90°)	1
11	1583530	(Footrest Aluminium 370mm with plate for frame 90°)	1
12	1583531	(Footrest Aluminium 390mm with plate for frame 90°)	1
13	1583532	(Footrest Aluminium 410mm with plate for frame 90°)	1
14	1583533	(Footrest Aluminium 430mm with plate for frame 90°)	1
15	1583506	(Footrest Aluminium 310mm for frame 75°)	1
16	1583507	(Footrest Aluminium 330mm for frame 75°)	1
17	1583508	(Footrest Aluminium 350mm for frame 75°)	1
18	1583509	(Footrest Aluminium 370mm for frame 75°)	1
19	1583510	(Footrest Aluminium 390mm for frame 75°)	1
20	1583511	(Footrest Aluminium 410mm for frame 75°)	1
21	1583512	(Footrest Aluminium 430mm for frame 75°)	1
22	1583513	(Footrest Aluminium 310mm for frame 90°)	1
23	1583514	(Footrest Aluminium 330mm for frame 90°)	1
24	1583515	(Footrest Aluminium 350mm for frame 90°)	1
25	1583516	(Footrest Aluminium 370mm for frame 90°)	1
26	1583517	(Footrest Aluminium 390mm for frame 90°)	1
27	1583518	(Footrest Aluminium 410mm for frame 90°)	1
28	1583519	(Footrest Aluminium 430mm for frame 90°)	1
29	1583596	(Footplate 194mm)	1
30	1583597	(Footplate 214mm)	1
31	1583598	(Footplate 234mm)	1

(Footrest standard for adducted frame)

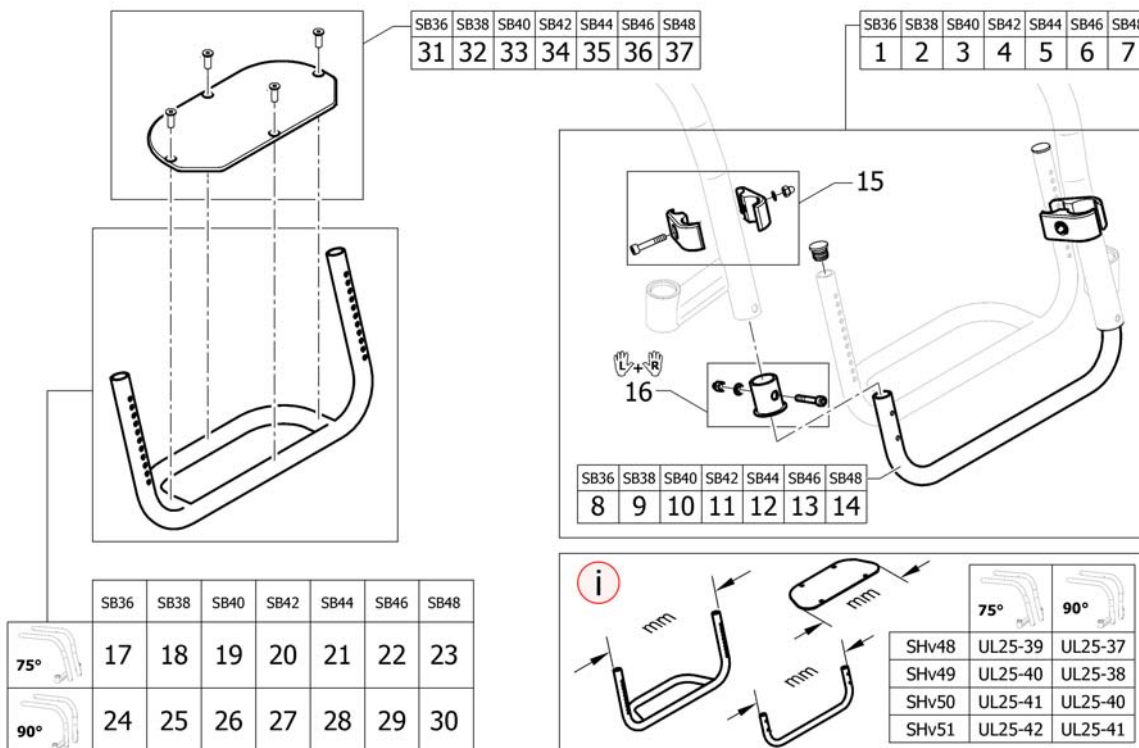
32	1583599	(Footplate 254mm)	1
33	1583600	(Footplate 274mm)	1
34	1583601	(Footplate 294mm)	1
35	1583602	(Footrest sleeve Alu)	1

(Footrest angle adjustable for adducted frame)



1	1583608	(Footrest angle adjustable 250mm, complete)	1
2	1583609	(Footrest angle adjustable 280mm, complete)	1
3	1583610	(Footrest angle adjustable 308mm, complete)	1
4	1583613	(Footplate 250mm with clamping part)	1
5	1583614	(Footplate 280mm with clamping part)	1
6	1583615	(Footplate 308mm with clamping part)	1
7	1583616	(Telescopic kit for footrest angle adjustable, pair)	1
8	1583602	(Footrest sleeve Alu)	1

(Footrest standard highmounted for adducted frame)

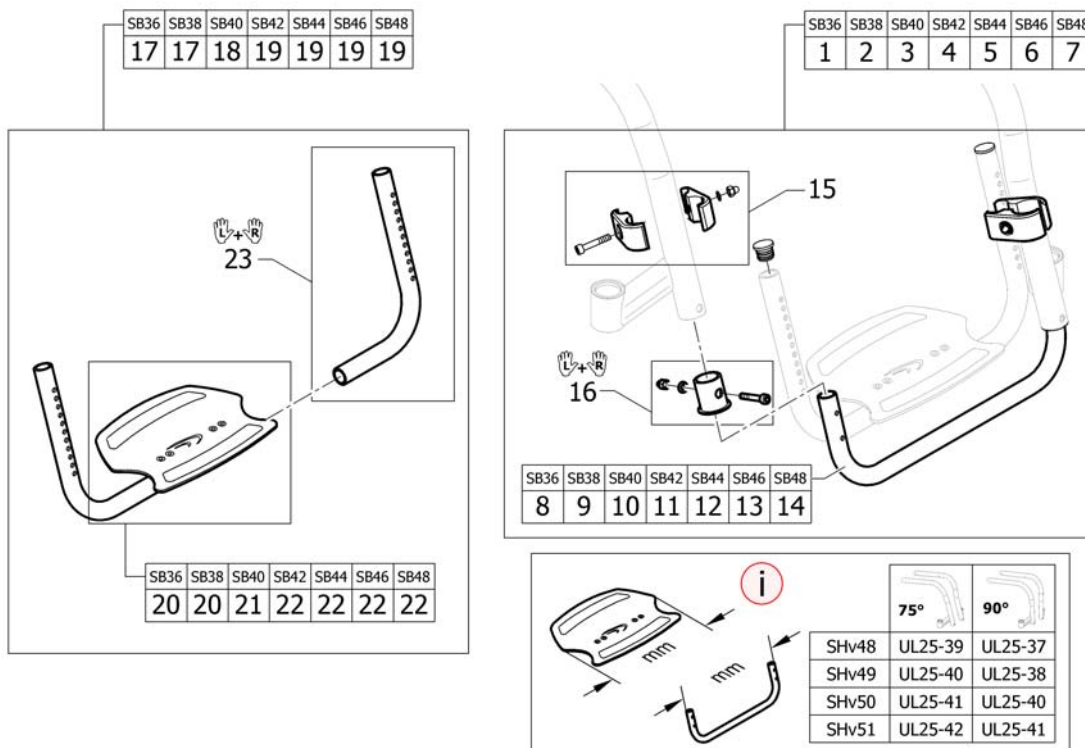


1	1583641	(Tube set for footrest, mounted in high position, 310mm for adducted frame)	1
2	1583642	(Tube set for footrest, mounted in high position, 330mm for adducted frame)	1
3	1583643	(Tube set for footrest, mounted in high position, 350mm for adducted frame)	1
4	1583644	(Tube set for footrest, mounted in high position, 370mm for adducted frame)	1
5	1583646	(Tube set for footrest, mounted in high position, 390mm for adducted frame)	1
6	1583647	(Tube set for footrest, mounted in high position, 410mm for adducted frame)	1
7	1583648	(Tube set for footrest, mounted in high position, 430mm for adducted frame)	1
8	1583650	(Tube for footrest, mounted in high position, 310mm for adducted frame)	1
9	1583651	(Tube for footrest, mounted in high position, 330mm for adducted frame)	1
10	1583652	(Tube for footrest, mounted in high position, 350mm for adducted frame)	1
11	1583653	(Tube for footrest, mounted in high position, 370mm for adducted frame)	1
12	1583654	(Tube for footrest, mounted in high position, 390mm for adducted frame)	1
13	1583655	(Tube for footrest, mounted in high position, 410mm for adducted frame)	1
14	1583656	(Tube for footrest, mounted in high position, 430mm for adducted frame)	1
15	1495577	(Kit clamping pieces, footrest mounted in high position)	2
16	1583602	(Footrest sleeve Alu)	1
17	1583657	(Footrest Aluminium 290mm for frame 75° for footrest mounted in high position)	1
18	1583658	(Footrest Aluminium 310mm for frame 75° for footrest mounted in high position)	1
19	1583659	(Footrest Aluminium 330mm for frame 75° for footrest mounted in high position)	1
20	1583660	(Footrest Aluminium 350mm for frame 75° for footrest mounted in high position)	1
21	1583661	(Footrest Aluminium 370mm for frame 75° for footrest mounted in high position)	1

(Footrest standard highmounted for adducted frame)

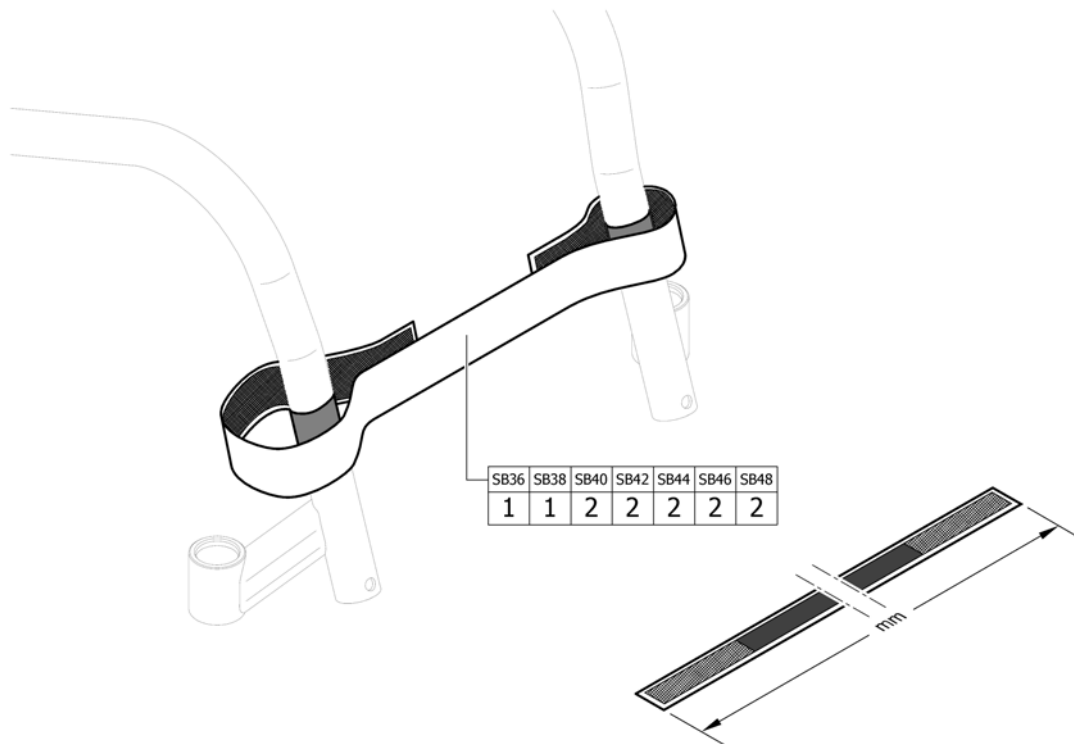
22	1583701	(Footrest Aluminium 390mm for frame 75° for footrest mounted in high position)	1
23	1583702	(Footrest Aluminium 410mm for frame 75° for footrest mounted in high position)	1
24	1583703	(Footrest Aluminium 290mm for frame 90° for footrest mounted in high position)	1
25	1583750	(Footrest Aluminium 310mm for frame 90° for footrest mounted in high position)	1
26	1583942	(Footrest Aluminium 330mm for frame 90° for footrest mounted in high position)	1
27	1583943	(Footrest Aluminium 350mm for frame 90° for footrest mounted in high position)	1
28	1583944	(Footrest Aluminium 370mm for frame 90° for footrest mounted in high position)	1
29	1583945	(Footrest Aluminium 390mm for frame 90° for footrest mounted in high position)	1
30	1583946	(Footrest Aluminium 410mm for frame 90° for footrest mounted in high position)	1
31	1583595	(Footplate 174mm)	1
32	1583596	(Footplate 194mm)	1
33	1583597	(Footplate 214mm)	1
34	1583598	(Footplate 234mm)	1
35	1583599	(Footplate 254mm)	1
36	1583600	(Footplate 274mm)	1
37	1583601	(Footplate 294mm)	1

(Footrest angle adjustable highmounted for adducted frame)

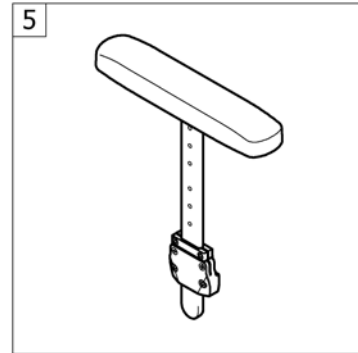
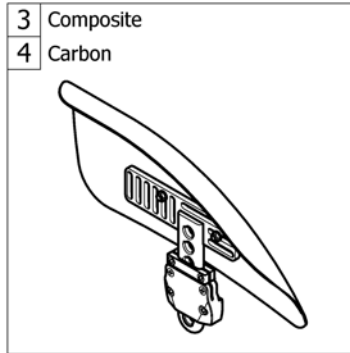
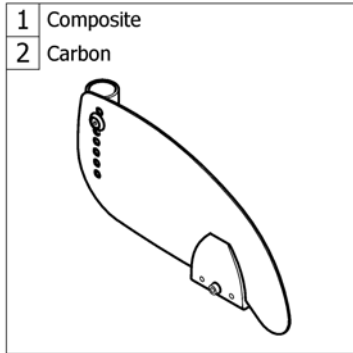


1	1583641	(Tube set for footrest, mounted in high position, 310mm for adducted frame)	1
2	1583642	(Tube set for footrest, mounted in high position, 330mm for adducted frame)	1
3	1583643	(Tube set for footrest, mounted in high position, 350mm for adducted frame)	1
4	1583644	(Tube set for footrest, mounted in high position, 370mm for adducted frame)	1
5	1583646	(Tube set for footrest, mounted in high position, 390mm for adducted frame)	1
6	1583647	(Tube set for footrest, mounted in high position, 410mm for adducted frame)	1
7	1583648	(Tube set for footrest, mounted in high position, 430mm for adducted frame)	1
8	1583650	(Tube for footrest, mounted in high position, 310mm for adducted frame)	1
9	1583651	(Tube for footrest, mounted in high position, 330mm for adducted frame)	1
10	1583652	(Tube for footrest, mounted in high position, 350mm for adducted frame)	1
11	1583653	(Tube for footrest, mounted in high position, 370mm for adducted frame)	1
12	1583654	(Tube for footrest, mounted in high position, 390mm for adducted frame)	1
13	1583655	(Tube for footrest, mounted in high position, 410mm for adducted frame)	1
14	1583656	(Tube for footrest, mounted in high position, 430mm for adducted frame)	1
15	1495577	(Kit clamping pieces, footrest mounted in high position)	2
16	1583602	(Footrest sleeve Alu)	1
17	1583950	(Footrest angle adjustable 250mm for mounted in high position, complete)	1
18	1583951	(Footrest angle adjustable 280mm for mounted in high position, complete)	1
19	1583952	(Footrest angle adjustable 308mm for mounted in high position, complete)	1
20	1583613	(Footplate 250mm with clamping part)	1
21	1583614	(Footplate 280mm with clamping part)	1
22	1583615	(Footplate 308mm with clamping part)	1
23	1583947	(Telescop for footrest angle adjustable mounted in high position, pair)	1

(Calf strap)

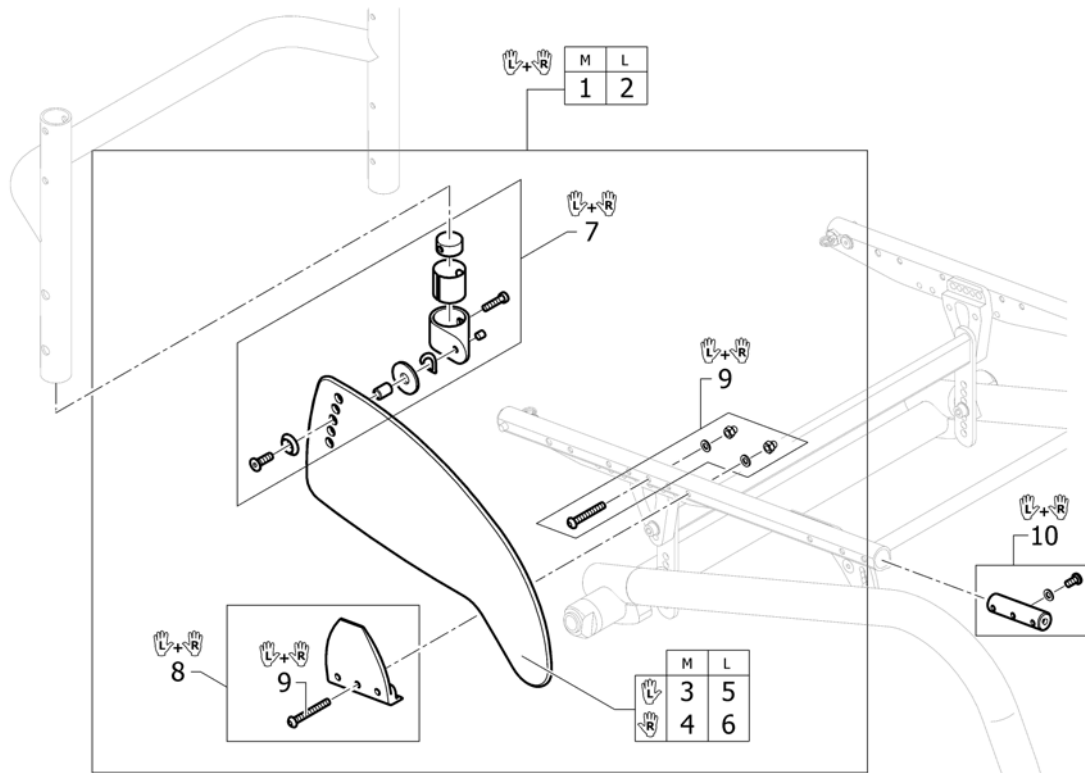


1	1561528	(Calf strap complete, 780mm)	1
2	1561529	LEGGBÄND HELT 940MM KUSCHALL	1

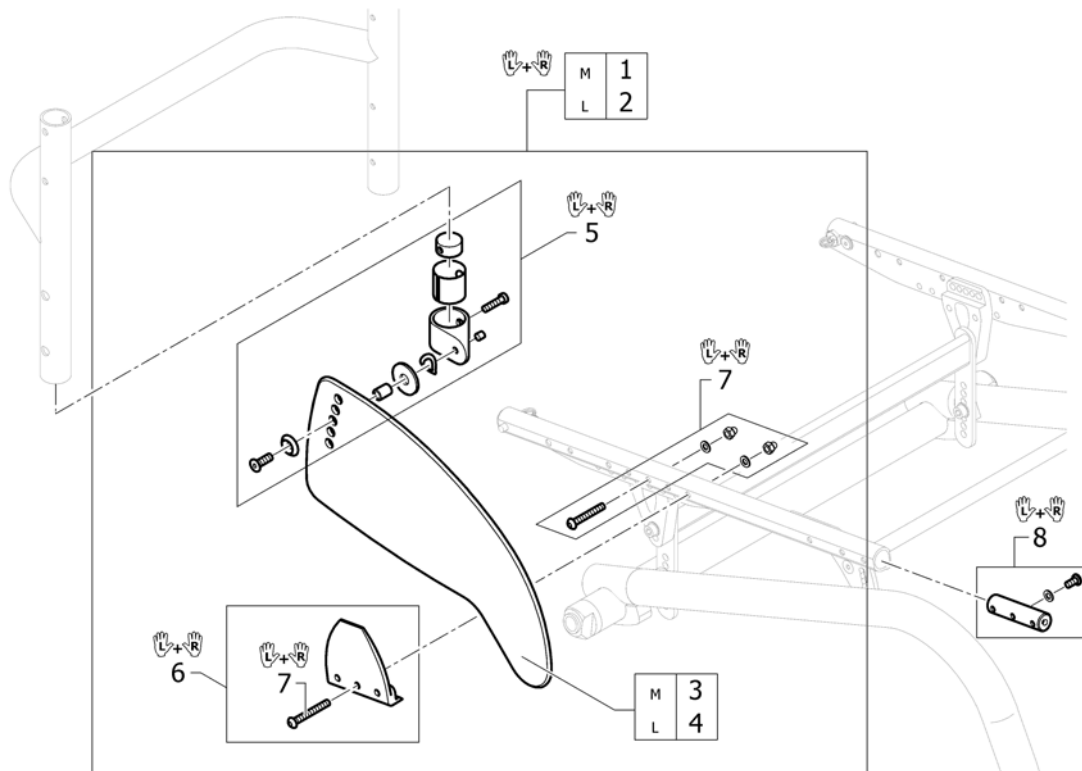


1	-	(Clothes-guards composite)	1
2	-	(Clothes-guards carbon)	1
3	-	(Mudguards composite)	1
4	-	(Mudguards carbon)	1
5	-	(Siderest height adjustable)	1

(Clothes-guards composite)

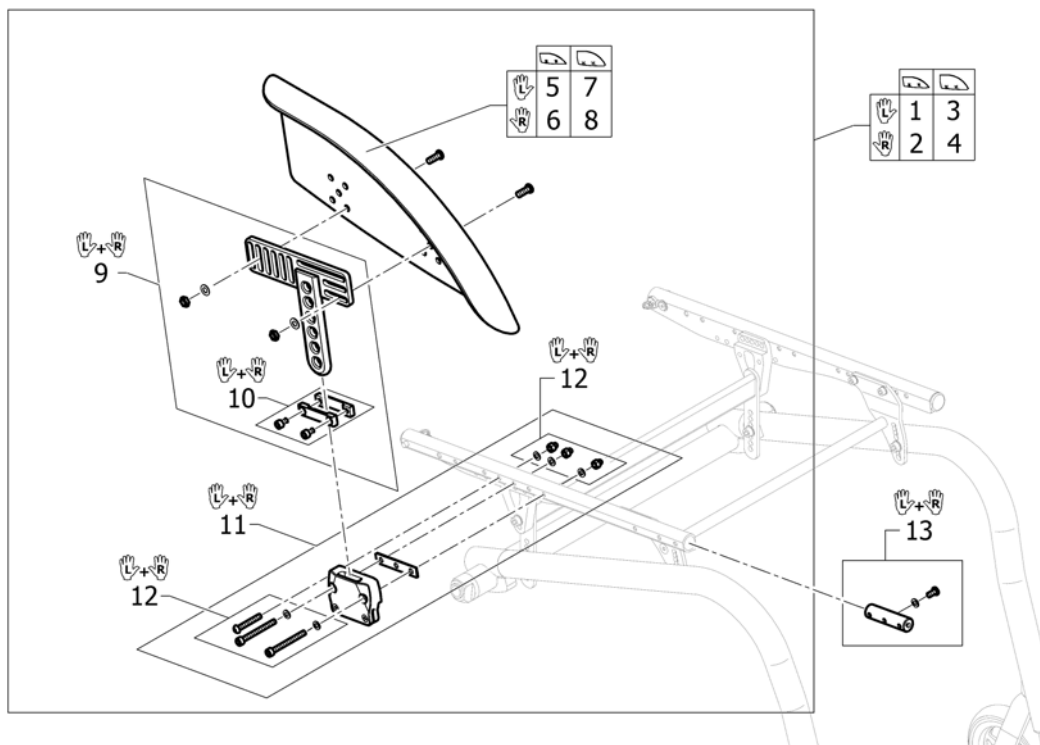


1	1584839	(Clothes-guards economy M with fixation kit, pair)	1
2	1584841	(Clothes-guards economy L with fixation kit, pair)	1
3	1547467	(Clothes-guard economy M left)	1
4	1547469	(Clothes-guard economy M right)	1
5	1547468	(Clothes-guard economy L left)	1
6	1547470	(Clothes-guard economy L right)	1
7	1584842	(Fixation kit clothes-guard economy to backrest)	1
8	1584837	(Fixation clothes-guard to frame, pair)	1
9	1584838	(Screws kit for fixation clothe-guards to frame)	1
10	1584863	(Thread insert for side guards, pair)	1

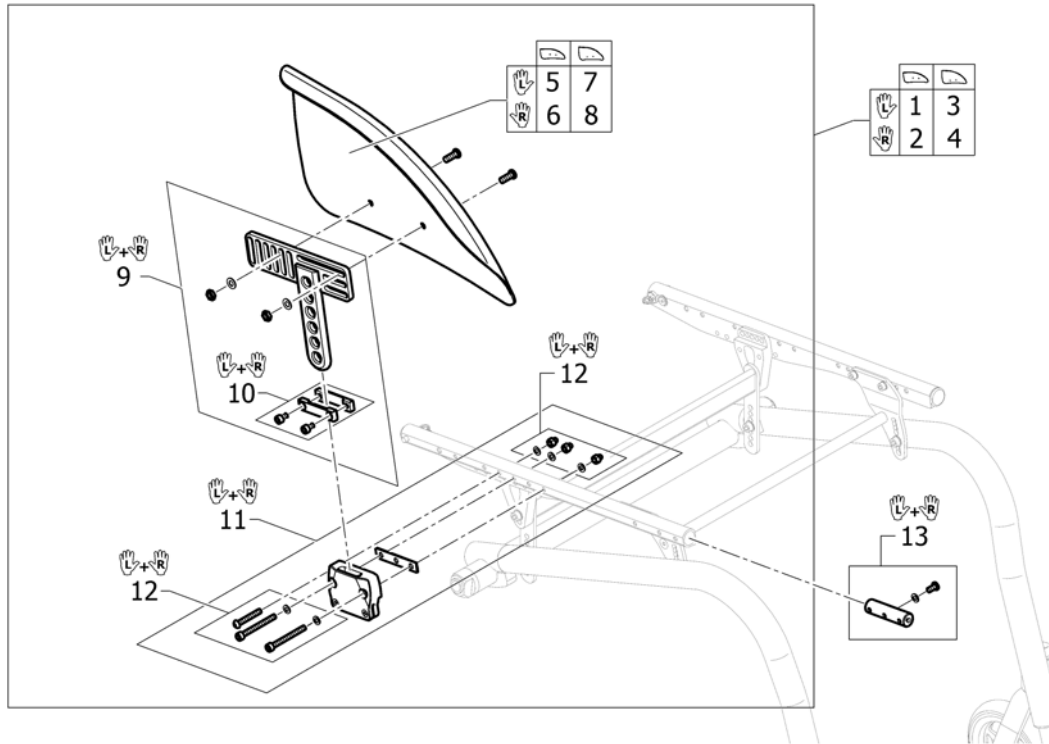


1	1584833	(Clothes-guards carbon M with fixation kit, pair)	1
2	1584834	(Clothes-guards carbon L with fixation kit, pair)	1
3	1547461	(Clothes-guard carbon M)	2
4	1547462	KLESBESKYTTER KARBON L PAR	2
5	1584836	(Fixation kit clothes-guard carbon to backrest)	1
6	1584837	(Fixation clothes-guard to frame, pair)	1
7	1584838	(Screws kit for fixation clothe-guards to frame)	1
8	1584863	(Thread insert for side guards, pair)	1

(Mudguards composite)

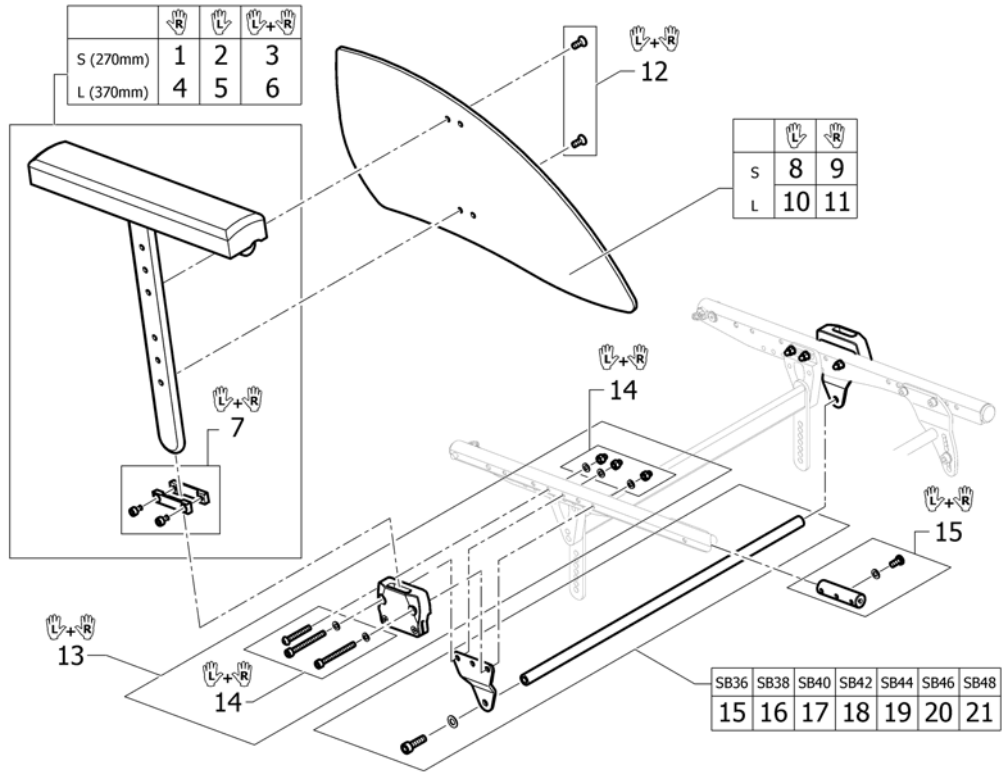


1	1584850	(Mudguard Economy left M short complete)	1
2	1584852	(Mudguard Economy right M short complete)	1
3	1584851	(Mudguard Economy left L short complete)	1
4	1584853	(Mudguard Economy right L short complete)	1
5	1547556	(Mudguard Economy left M)	1
6	1547579	(Mudguard Economy right M)	1
7	1547578	(Mudguard Economy left L)	1
8	1547580	(Mudguard Economy right L)	1
9	1547554	(Mudguard Economy holder short, pair)	1
10	1547537	(Siderests height clamp kit, pair)	1
11	1584843	(Kit holder mudguard to seat module, pair)	1
12	1584844	(Fixation kit for holder mudguard to seat module, pair)	1
13	1584863	(Thread insert for side guards, pair)	1

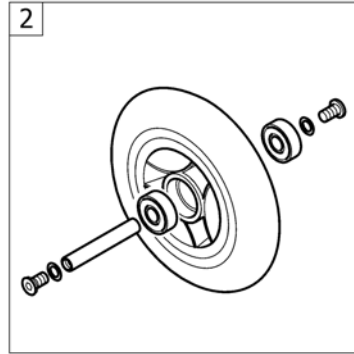
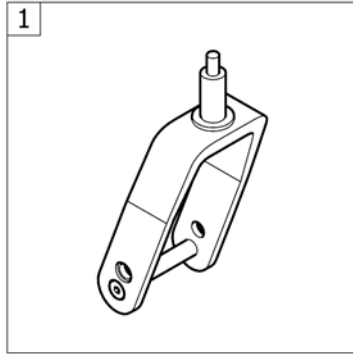


1	1584846	(Mudguard carbon left M short complete)	1
2	1584848	(Mudguard carbon right M short complete)	1
3	1584847	(Mudguard carbon left L short complete)	1
4	1584849	(Mudguard carbon right L short complete)	1
5	1547533	(Mudguard carbon left M)	1
6	1547535	(Mudguard carbon right M)	1
7	1547534	(Mudguard carbon left L)	1
8	1547536	(Mudguard carbon right L)	1
9	1547488	(Mudguard carbon holder short, pair)	1
10	1547537	(Siderests height clamp kit, pair)	1
11	1584843	(Kit holder mudguard to seat module, pair)	1
12	1584844	(Fixation kit for holder mudguard to seat module, pair)	1
13	1584863	(Thread insert for side guards, pair)	1

(Siderest height adjustable)

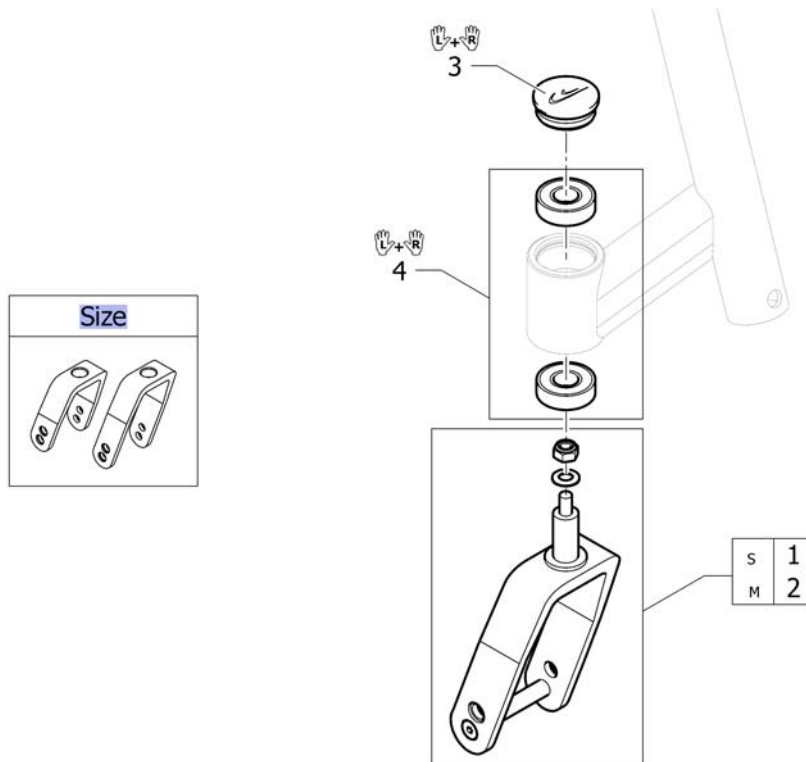


1	1517677	ARMLÉN KORT HREG HØ CO UL 1.4.8->	1
2	1517678	ARMLÉN KORT HREG VE CO UL	1
3	1517682	ARMLÉNE REG KORT PAR	1
4	1517679	ARMLÉN HREG HØ LANGT POLSTER CO UL FU 1.4.8->	1
5	1517680	ARMLÉN HREG VE LANGT POLSTER CO UL FU 1.4.8->	1
6	1517683	ARMLÉN LONG HREG PAR	1
7	1547537	(Siderests height clamp kit, pair)	1
8	1517689	KLESBESKYTTER S VE FOR ARMLÉN CO UL 2008->	1
9	1517690	KLESBESKYTTER S HØ FOR ARMLÉN CO UL 2008->	1
10	1517691	KLESBESKYTTER L VE FOR ARMLÉN CO UL 2008->	1
11	1517692	KLESBESKYTTER L HØ FOR ARMLÉN CO UL 2008->	1
12	1517693	FESTE KLESBESKYTTER FOR ARMLÉN CO UL 2008->	1
13	1584871	(Kit holder siderest height adjustable to seat module, pair)	1
14	1584872	(Fixation kit for holder siderest height adjustable to seat module, pair)	1
15	1584864	(Bracket kit for siderest, 336,5mm)	1
16	1584865	(Bracket kit for siderest, 356,5mm)	1
17	1584866	(Bracket kit for siderest, 376,5mm)	1
18	1584867	(Bracket kit for siderest, 396,5mm)	1
19	1584868	(Bracket kit for siderest, 416,5mm)	1
20	1584869	(Bracket kit for siderest, 436,5mm)	1
21	1584870	(Bracket kit for siderest, 456,5mm)	1
22	1584863	(Thread insert for side guards, pair)	1



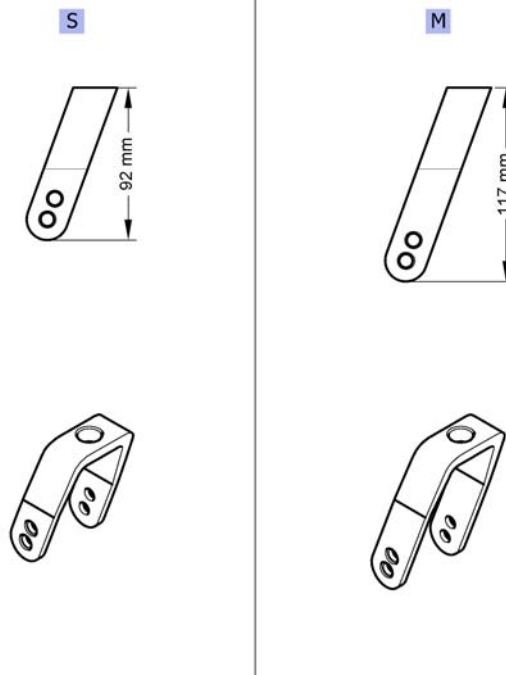
1	-	(Front forks standard)	1
2	-	(Front wheels)	1

(Front forks standard)



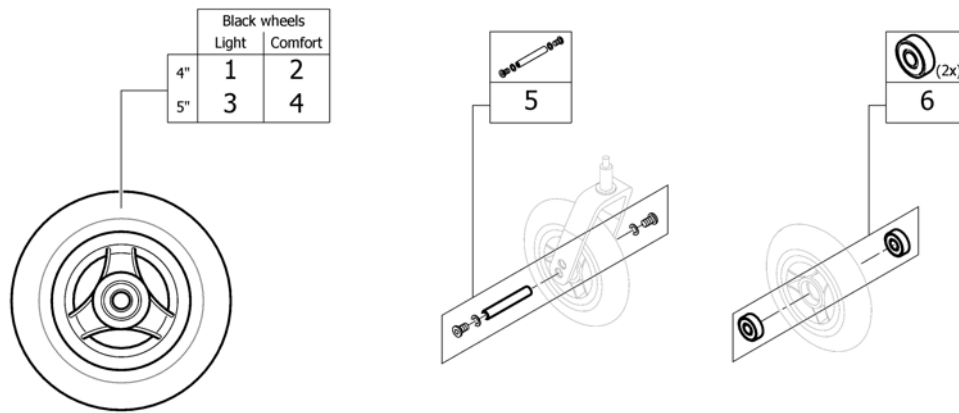
Size	-	(Configuration table for front fork size)	0
1	1584876-0004	(Front fork S with bolt, black anodized)	2
2	1584877-0004	(Front fork M with bolt, black anodized)	2
3	1487961-0004	STØVKAPPE GAFFELHUS SORT KUSCHALL K4 PAR	1
4	1451718	KULELAGER KO5 KUSCHALL	1

(Configuration table for front fork size)

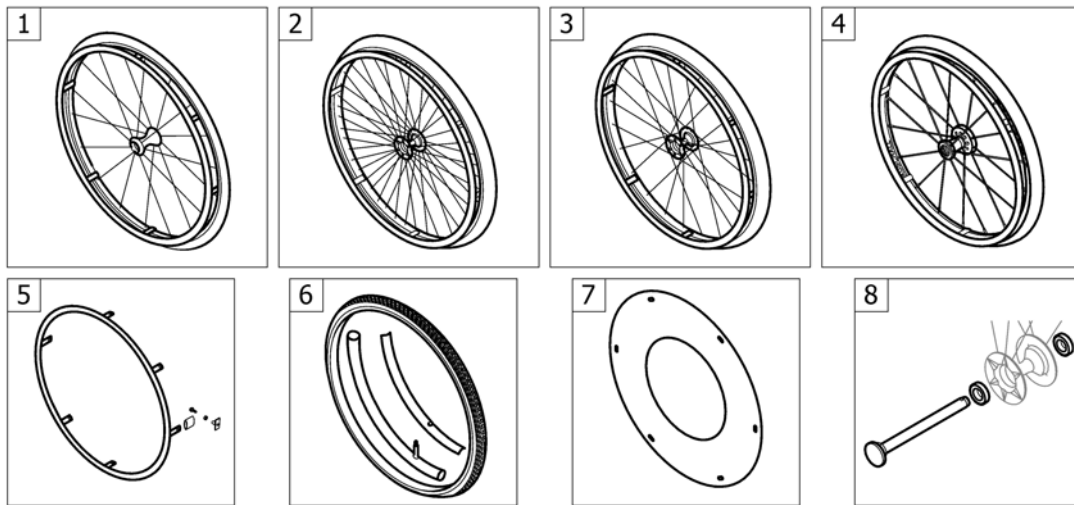


S	-	(Front fork, Size S)	0
M	-	(Front fork, Size M)	0

(Front wheels)

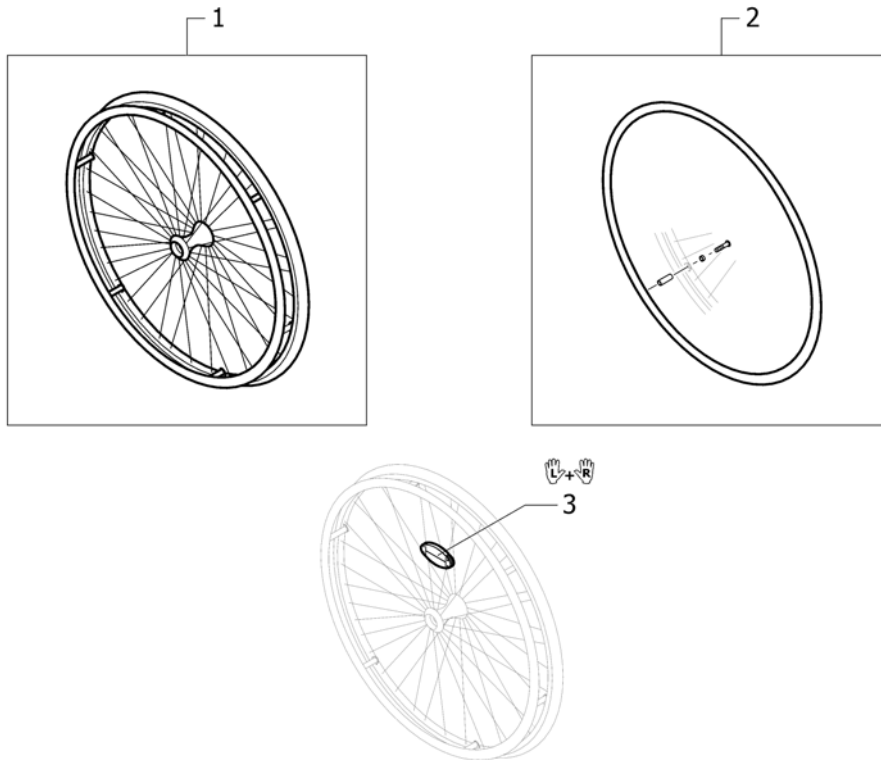


1	1562626	SVINGHJUL 4 EVERYDAY 3 EIKER SORT	2
2	1561139	(4" Comfort wheel, black)	2
3	1562627	SVINGHJUL 5 EVERYDAY 3 EIKER SORT	2
4	1542640	SVINGHJUL 5 SORT 4 CM KUSCHALL COMFORT	2
5	1570108	AKSELSETT SVINGHJUL U DISTANSESKIVER	2
6	1570105	KULELAGER PAR KUSCHALL 6000-2RS	2



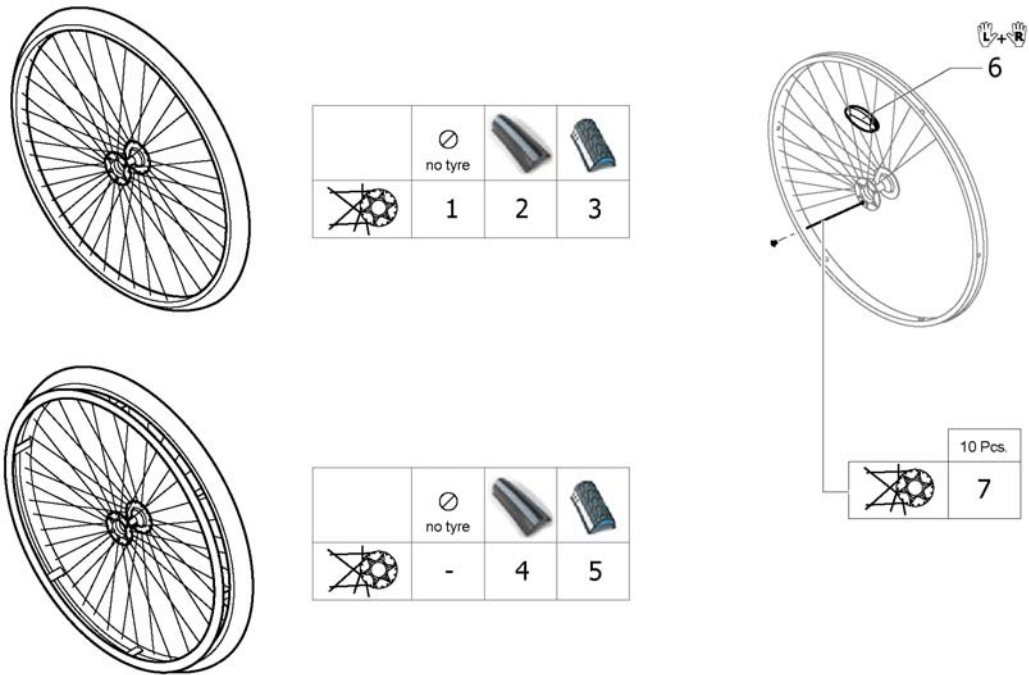
1	-	(Active wheel)	1
2	-	(24" Küschall rear wheels complete)	1
3	-	(High Performance wheel)	1
4	-	(Spinergy LXX wheel)	1
5	-	(Handrim)	1
6	-	(Tyre)	1
7	-	(Spoke guard)	1
8	-	(Quick release axle and bearing)	1

(Active wheel)



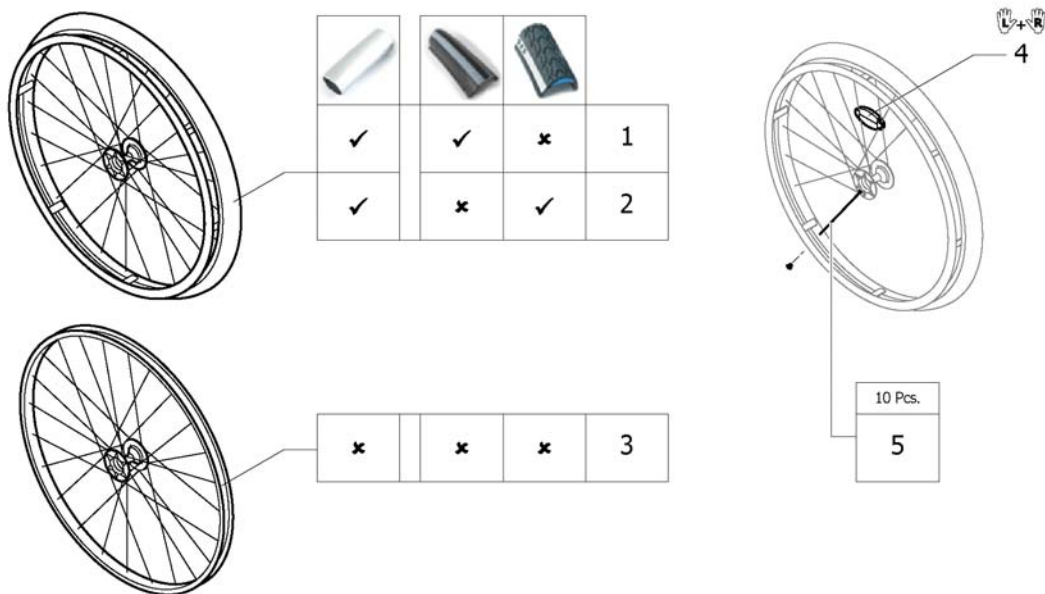
1	1583058	(Rear wheel 24" active)	2
2	1583059	(Handrim 24" Alu incl. Fixation kit for rear wheel 24" Economy)	2
3	1571073	(Spokereflection, pair)	1

(24" Küschall rear wheels complete)



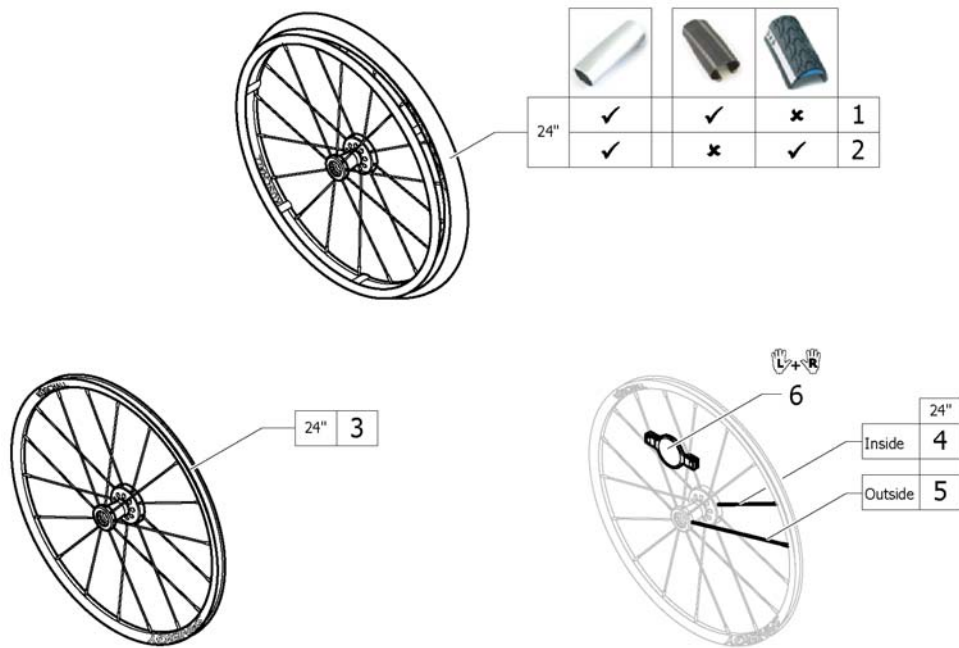
1	1567104-0407	DRIVHJUL 24 STAREC U/DRIVR U/DEKK U/FARGE	2
2	SP1601745	(Rear wheel 24", Starec hub X, without handrim, Rightrun black/grey tyre) <i>Replaces 1570471</i>	2
3	1554399-0407	(Rear wheel 24", Starec X, colourless, without handrim, marathon evolution)	2
4	SP1601747	(Rear wheel 24", Starec hub X, handrim, Rightrun black/grey tyre) <i>Replaces 1570472</i>	2
5	1554400-0407	(Rear wheel 24", Starec X, colourless, handrim, marathon evolution)	2
6	1571073	(Spokereflection, pair)	1
7	1579086	(Spokes 253mm complete, kit 10 Pcs.)	1

(High Performance wheel)







1	SP1601754-0407	(Rear wheel 24" High Performance colourless, handrim, tyre Rightrun black/ grey) <i>Replaces 1420958</i>	2
2	1527046	DRIVHJUL 24 HIGH PERFORM MARAT.DEKK ALU DRIV KOMP	2
3	1517723-0407	HIGH PERFORMANCE 24" KUN FELG KUSCHALL	2
4	1571073	(Spokereflection, pair)	1
5	1578867	(Spokes kit for High Performance wheel 24", 10 Pcs.)	1

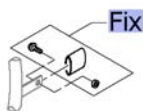
Küschall® K-Series attract | (REAR WHEELS)
(Spinergy LXX wheel)











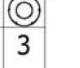


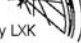
1	1585007	(Rear wheel 24", Spinergy LXX, handrim alu, tyre Schwalbe One)	2
2	1585008	(Rear wheel 24", Spinergy LXX, handrim alu, tyre Marathon Evolution)	2
3	1579102	DRIVHJUL 24 Spinergy LXX UTEN DEKK OG DRIVRING	2
4	1579103	(Spoke inside for Spinergy LXX wheel 24", 236mm., 1 Pcs.)	9
5	1579104	(Spoke outside for Spinergy LXX wheel 24", 249mm., 1 Pcs.)	9
6	1571088	(Spoke reflection for Spinergy wheel, pair)	1

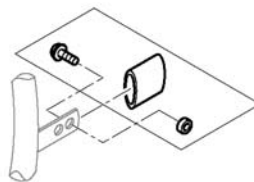
(Handrim)

						
		3cm	24"	24"	24"	24"
		4cm				
	3cm	1	2	3	4	
	4cm	-	-	3	4	
	3cm	1	2	3	4	
	4cm	-	-	3	4	
	3cm	1	2	3	4	
	4cm	-	-	3	4	











Fix	-	(Fixation handrim)	2
1	1568714-0005	DRIVRING 24 ALU ELOKSERT KÜSCHALL st.SPINERGY	2
2	1568715	DRIVRING 24 STÅL 3CM DIST	2
3	1568703	DRIVRING 24 SUPERGRIP KUSCHALL	2
4	1556916	DRIVRING 24 SURGE KUSCHALL	2

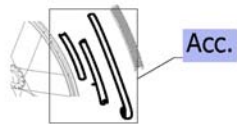
		Aluminium	Steel	Supergrip	Surge			
	3cm							
	4cm							
	3cm	1	1	1	1	1	3	3
	4cm	-	-	-	2	3	-	-
	3cm	4	4	4	4	4	6	4
	4cm	-	-	-	5	6	-	-
	3cm	4	-	4	-	4	6	-
	4cm	-	-	-	5	-	-	-



1	1495958	FESTESETT DRIVRING 3CM KUSHALL	2
2	1495959	DRIVRINGSFESTE KIT STD KUSCGHALL HJUL 4CM	2
3	1495961	(Fixation kit handrim, 4 cm with spokes guard)	2
4	1496019	FIKSERINGSKIT FOR DRIVRING HIGH PERFORM 3	2
5	1496020	(Fixation kit handrim for High Performance wheel, 4 cm)	2
6	1497111	(Fixation kit handrim for High Performance wheel, 4 cm with spokes guard)	2









(Tyre)

				
	24"	24"	24"	24"
Active wheels 	1	2	3	4
Küschall wheels 	1	2	3	4
High Performance 	1	2	3	-
Spinergy LXX 	1	2	3	-

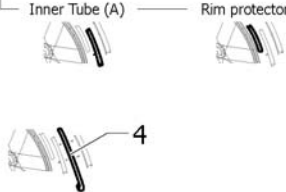


Acc.	-	(Inner tube and rim protector)	2
1	SP1590118	DEKK 24 Rightrun SORT/GRÅ KUSCHALL <i>Replaces 1570828</i>	2
2	1570838	DEKK 24 MARATHON KUSHALL PKT SIKKER	2
3	1578802	DEKK 24 SCWALBE SPEEDRUN 24" KUSCHALL	2
4	1570831	DEKK 24 MASSIV GRÅ GROVT MØNSTER	2

Küschall® K-Series attract | (REAR WHEELS)
(Inner tube and rim protector)

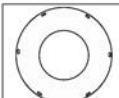



					
		24"	24"	24"	24"
Active wheels 	A	1	1	1	-
	B	2	2	2	2
Küschall wheels 	A	1	1	1	-
	B	2	2	2	2
High Performance 	A	1	1	1	-
	B	3	3	3	-
Spinergy LXX 	A	1	1	1	-
	B	3	3	3	-

Inner Tube (A) Rim protector (B)

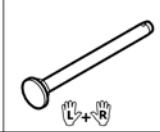
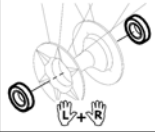






1	1570849	SLANGE 24"X1	2
2	1570845	(Rim protection 24" Large)	2
3	1495962	FELG BÄND HIGH PERFORMANCE DEKK KUSCHAL	2
4	1571072	(Rear wheel inset anti-flat for 20,22,24,26" tyre)	1

(Spoke guard)

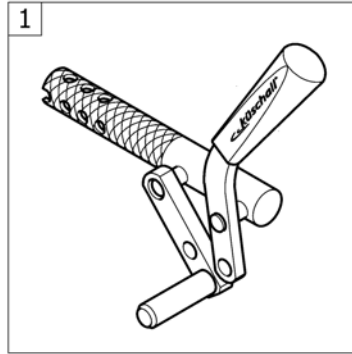
	
	24"
 Küschall wheel	1
 High Performance	1
 Spinergy LXX	-

Küschall® K-Series attract | (REAR WHEELS)
(Quick release axle and bearing)

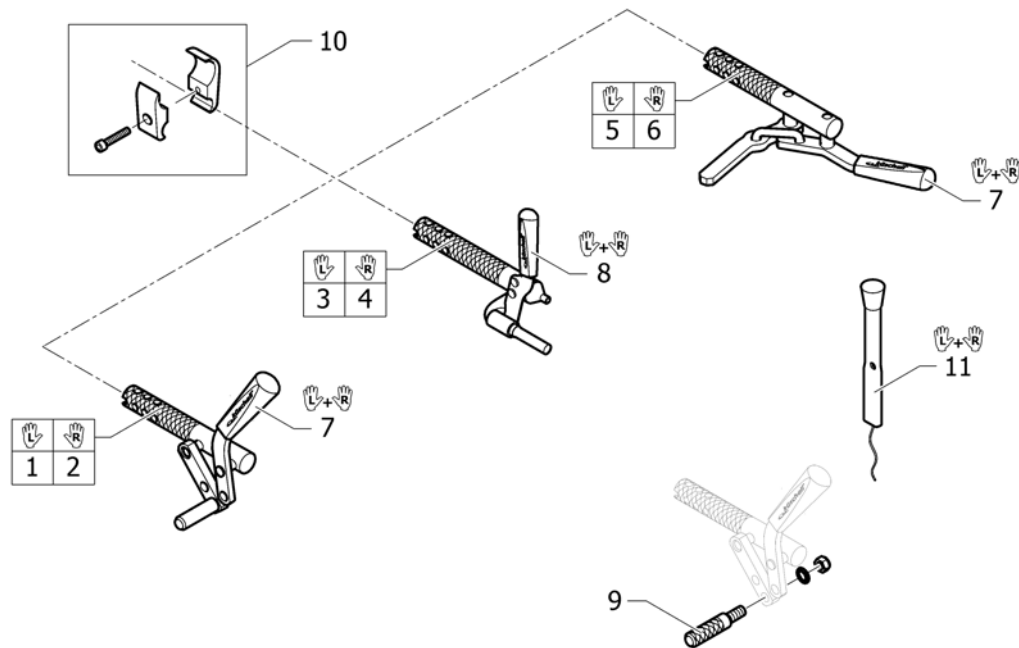
		
	L+R	L+R
 Küschall wheel	1	3
 High Performance	1	3
 Spinergy LXX	2	3
 Economy	1	-

1	1509137-0407	HURTIGKOBLEINGSBOLT L 128 FARGELØS KNAPP KUSCH.PAR	1
2	1507627	QR AKSEL FOR SPINERGY HJUL PAR	1
3	1571069	(Bearing R8-2RS 1/2"/1.1/8"x5/16", pair)	2

(BRAKES)

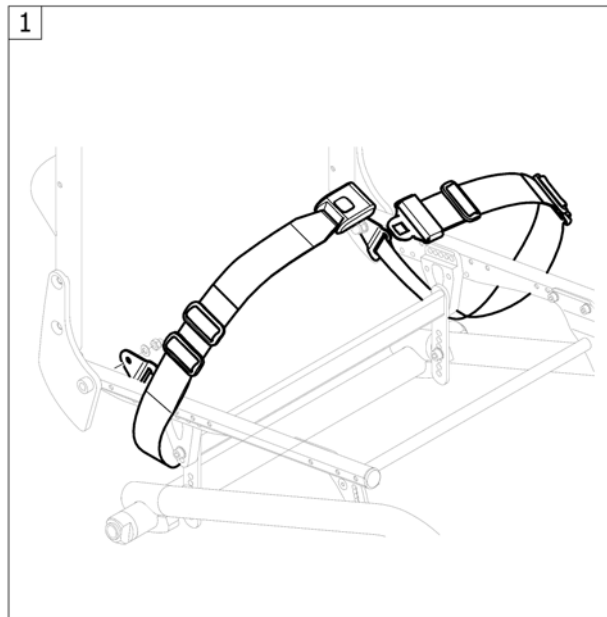


(Brakes)



1	1562583	(Brake, bent lever, left)	1
2	1562584	(Brake, bent lever, right)	1
3	1562591	(Performance brake left)	1
4	1562592	(Performance brake right)	1
5	1562593	(Active brake left)	1
6	1562594	(Active brake right)	1
7	1513177	HÄNDTAK BREMS PAR KUSCHALL	1
8	1513178	HÄNDTAK BREMS PERFORMANCE PAR KUSCHALL	1
9	1579328	(Brake shoe standard (40mm), kit 4 Pcs.)	1
10	1562599	(Clamping piece to brake, set)	2
11	1513179	BREMSEFORLENGER PAR KUSCHALL K-JUN COMPACT	1

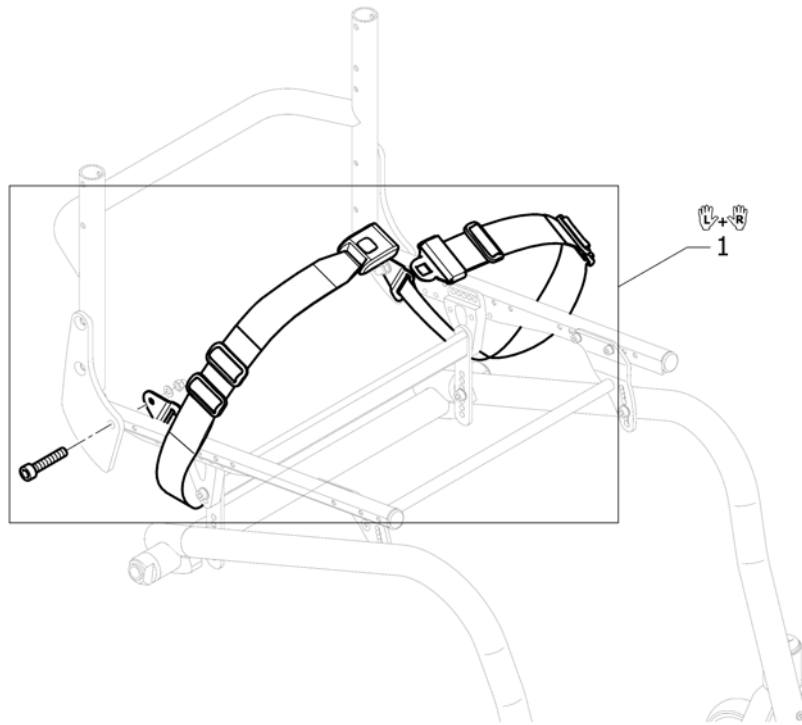
(SAFETY OPTIONS)



1 -

(Seatbelt for transportation)

1

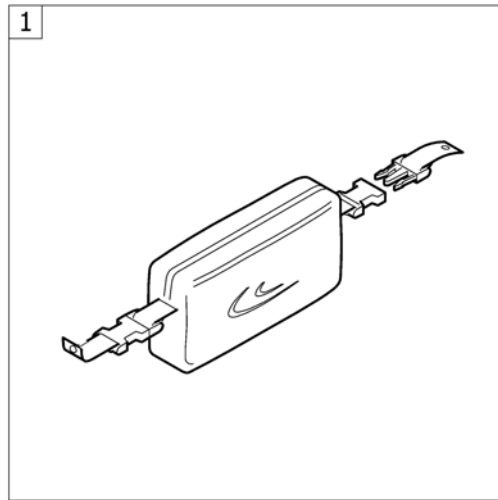


1 1561025

(Seatbelt for transportation)

1

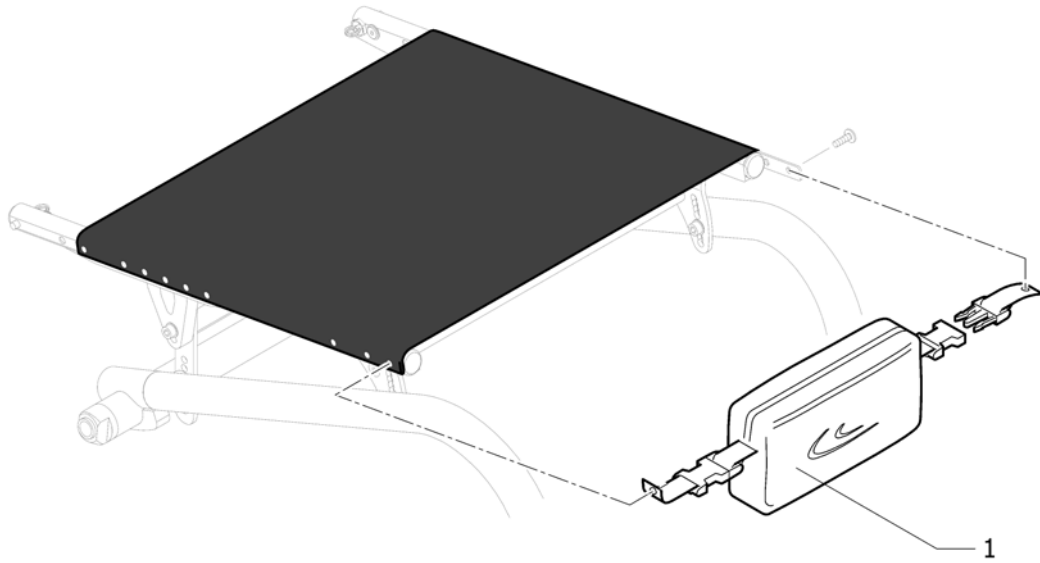
(SEAT ACCESSORIES)



1 -

(Seat frame bag)

1

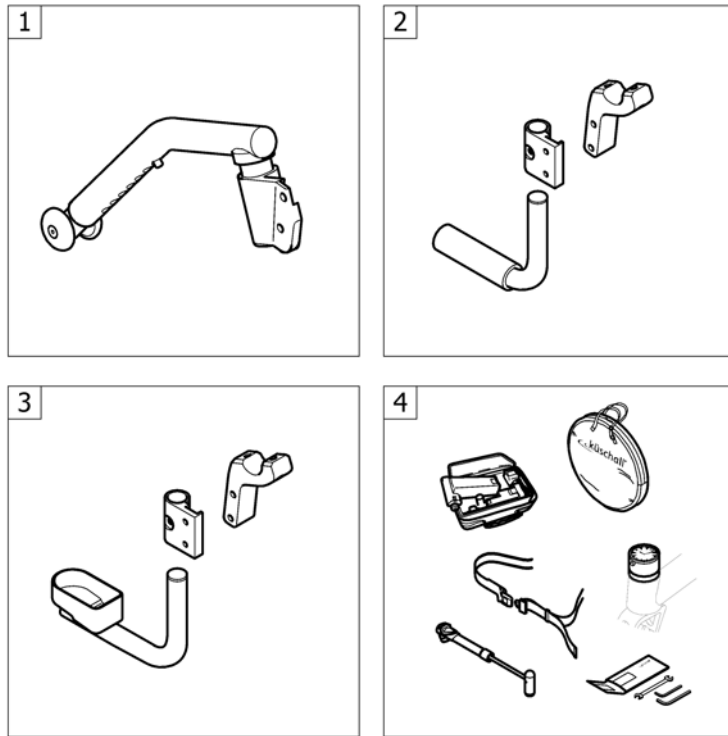


1 1529340

VESKE SETE K-SERIES KUSCHALL

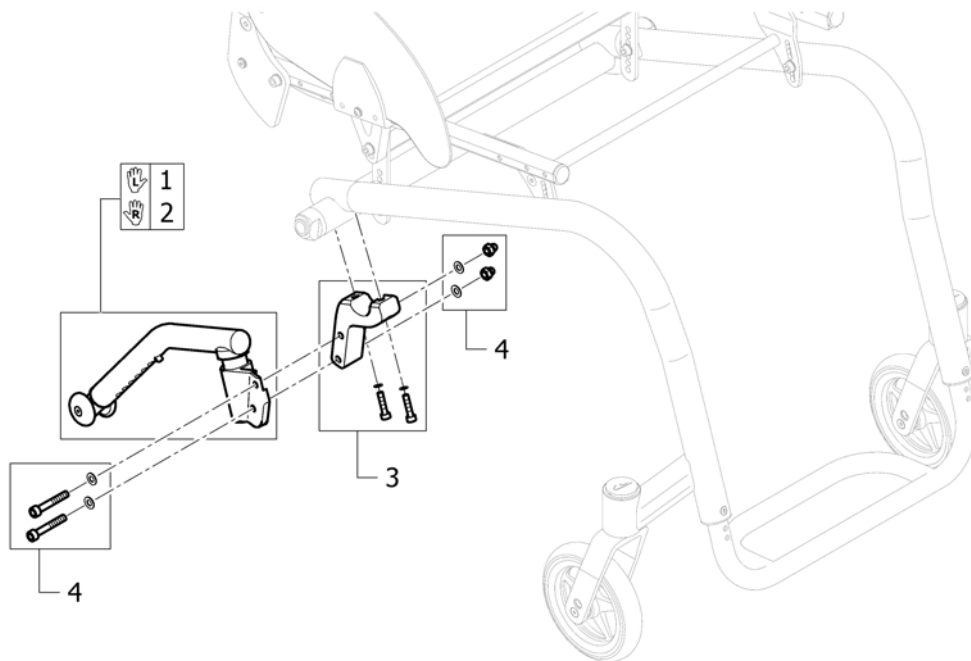
1

(OPTIONS & ACCESSORIES)



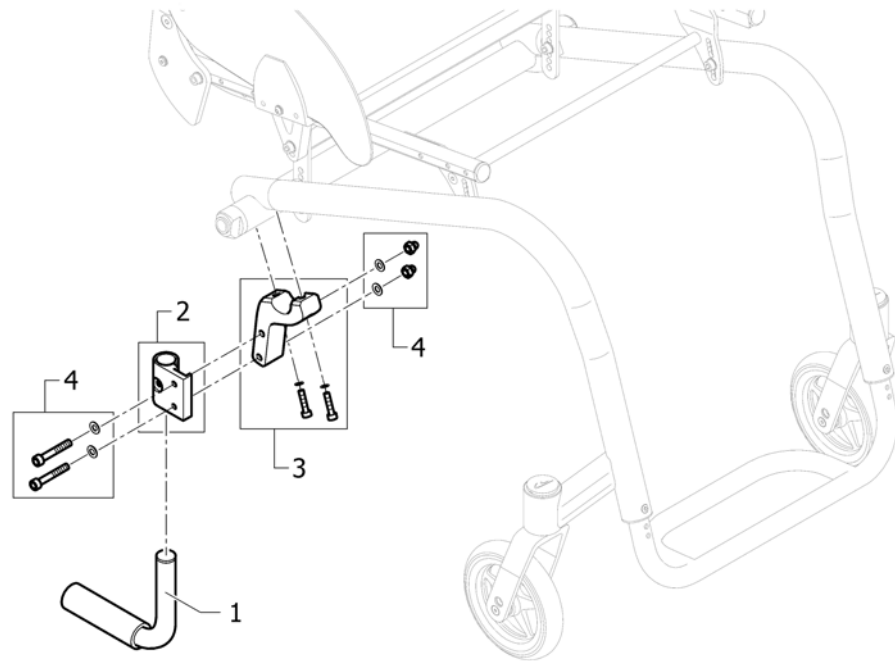
1	-	(Antitipper)	1
2	-	(Tipper aid)	1
3	-	(Cane holder)	1
4	-	(Chair accessories)	1

(Antitipper)



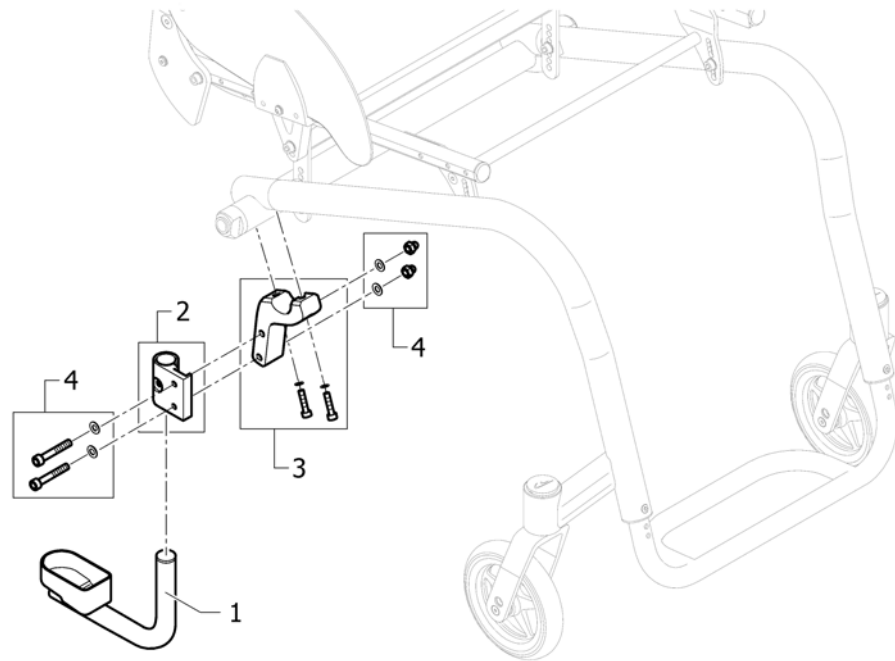
1	1488927	TIPPESIKRING KORT VENSTR KOMPL K4 AIRLITE 010306	1
2	1488928	TIPPESIKRING KORT HØYRE KOMPL K4 AIRLITE 010306	1
3	1585058	(Adaptions holder kit)	1
4	1585083	(Fixation kit for adaptions holder)	1

(Tipper aid)



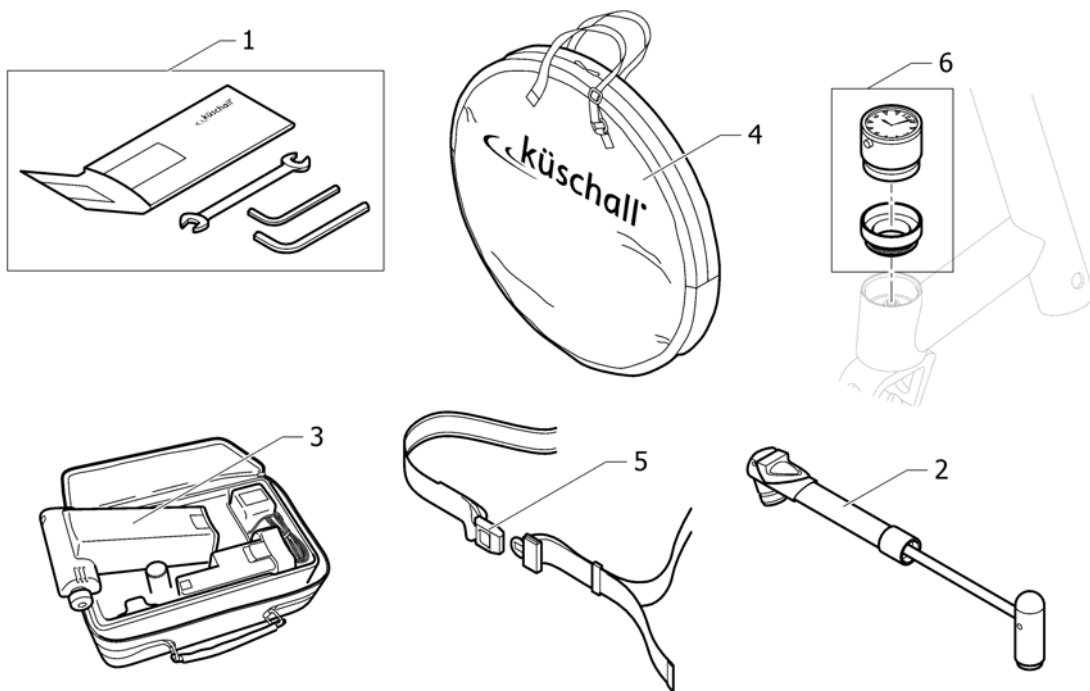
1	1438213	VIPPERØR U/HOLDER 1438217 CO UL 2004->	1
2	1585084	(Adaption holder)	1
3	1585058	(Adaptions holder kit)	1
4	1585083	(Fixation kit for adaptions holder)	1

(Cane holder)



1	1438214	KRYKKEHOLDER U/FESTE 1438217 ULCPAK 2004->	1
2	1585084	(Adaption holder)	1
3	1585058	(Adaptions holder kit)	1
4	1585083	(Fixation kit for adaptions holder)	1

(Chair accessories)



1	1518285	VERKTØYSETT KUSCHALL	1
2	1517924	PUMPE KUSCHALL MANUELL	1
3	1518286	(Air man)	1
4	1518287	VESKE FOR 24 OG 26 HJUL KÜSCHALL LOGO	1
5	1518288	HOFTEBELTE M LÅSEMEK K-JUNIOR	1
6	1589117	(Küschall watch mounted on bearing block, kit)	01.01.2016 → 1



Yes, you can.®



Belgium & Luxemburg:

Invacare nv, Autobaan 22, B-8210 Loppem
Tel: (32) (0)50 83 10 10, Fax: (32) (0)50 83 10 11
belgium@invacare.com / www.invacare.be

Denmark:

Invacare A/S, Sdr. Ringvej 37, DK-2605 Brøndby
Tel: (45) (0)36 90 00 00, Fax: (45) (0)36 90 00 01
denmark@invacare.com / www.invacare.dk

Deutschland:

Invacare Aquatec GmbH, Alemannenstraße 10, D-88316 Isny
Tel: (49) (0)75 62 7 00 0, Fax: (49) (0)75 62 7 00 66
info@invacare-aquatec.com / www.invacare-aquatec.de

European Distributor Organisation:

Invacare, Kleiststraße 49, D-32457 Porta Westfalica
Tel: (49) (0)57 31 754 540, Fax: (49) (0)57 31 754 541
edo@invacare.com / www.invacare.eu.com

España:

Invacare SA, c/Areny s/n, Polígon Industrial de Celrà, E-17460 Celrà (Girona)
Tel: (34) (0)972 49 32 00, Fax: (34) (0)972 49 32 20
contactsp@invacare.com / www.invacare.es

France:

Invacare Poirier SAS, Route de St Roch, F-37230 Fondettes
Tel: (33) (0)2 47 62 64 66, Fax: (33) (0)2 47 42 12 24
contactfr@invacare.com / www.invacare.fr

Ireland:

Invacare Ireland Ltd, Unit 5 Seatown Business Campus, Seatown Road, Swords, County Dublin - Ireland
Tel: (353) 1 810 7084, Fax: (353) 1 810 7085
ireland@invacare.com / www.invacare.ie

Italia:

Invacare Mecc San s.r.l., Via dei Pini 62, I-36016 Thiene (VI)
Tel: (39) 0445 38 00 59, Fax: (39) 0445 38 00 34
italia@invacare.com / www.invacare.it

Nederland:

Invacare BV, Celsiusstraat 46, NL-6716 BZ Ede
Tel: (31) (0)318 695 757, Fax: (31) (0)318 695 758
nederland@invacare.com, csede@invacare.com / www.invacare.nl

Norge:

Invacare AS, Grensesvingen 9, Postboks 6230, Etterstad, N-0603 Oslo
Tel: (47) (0)22 57 95 00, Fax: (47) (0)22 57 95 01
norway@invacare.com, island@invacare.com / www.invacare.no

Österreich:

Invacare Austria GmbH, Herzog Odilostrasse 101, A-5310 Mondsee
Tel: (43) 6232 5535 0, Fax: (43) 6232 5535 4
info-austria@invacare.com / www.invacare.at

Portugal:

Invacare Lda, Rua Estrada Velha, 949, P-4465-784 Leça do Balio
Tel: (351) (0)225 1059 46/47, Fax: (351) (0)225 1057 39
portugal@invacare.com / www.invacare.pt

Sverige & Suomi:

Invacare AB, Fagerstagatan 9, S-163 91 Spånå
Tel: (46) (0)8 761 70 90, Fax: (46) (0)8 761 81 08
sweden@invacare.com, finland@invacare.com / www.invacare.se

Switzerland:

Invacare AG, Benkenstrasse 260, CH-4108 Witterswil
Tel: (41) (0)61 487 70 80, Fax: (41) (0)61 487 70 81
switzerland@invacare.com / www.invacare.ch

United Kingdom:

Invacare Limited, Pencoed Technology Park, Pencoed, Bridgend CF35 5AQ
Switchboard Tel: (44) (0)1656 776200, Fax: (44) (0)1656 776201
Customer services Tel: (44) (0)1656 776222, Fax: (44) (0)1656 776220
uk@invacare.com / www.invacare.co.uk