

# ***Spare Parts Catalogue***

---

Version: 2015/06/11a NO

*Aquatec® Ocean Vip*





**Yes, you can.®**

## **General Information**

*For any order of spare parts the following information is required:*

- Product type*
- Product name & model*
- Serial Number*
- Part-Number*
- Part-Description*

*Exploded view drawings and code numbers are not contractual and subject to modification, in relation to Invacare® continuous product improvement policy to meet end users needs.*

*The reproduction or use of this work, or of any substantial part of this work, in any form or by any electronic, mechanical or other means, including photocopying, scanning and recording, and in any information storage and retrieval system, including electronic transmission, is forbidden without the prior written permission of Invacare® International Sarl.*



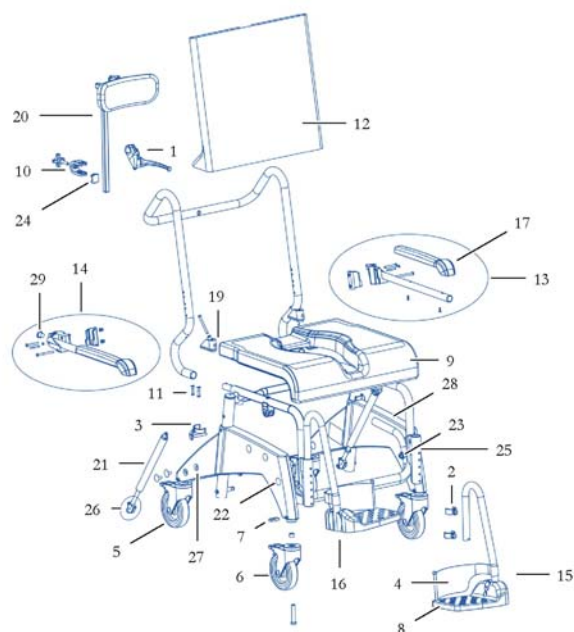
**Yes, you can.®**

## **TABLE OF CONTENTS**

---

Reservedeler .....	5
Tilbehør .....	7





	1470086	ARMLEN UTVIDET OCEAN OG OCEAN VIP E-VIP PAR	1
	1470685	KABELSETT TILT KPL AQUATEC OCEAN VIP	1
	10230	BEKKEN M LOKK PLAST OCEAN ALLE LAGUNA	1
	1470076	BEKKENHOLDER OCEAN VIP	1
21	1574477	(Gasspring Ocean VIP/ Ocean Dual VIP, 200 N)	2
	1470053	(instruction manual Aquatec Ocean Vip)	1
1	1470732	UTLØSERHÅNDDAK VIP AQUATEC OCEAN VIP	1
2	16333	LÅSEKLIPS FOTSTØTTE DUSJ/TOASTOL OCEAN	1
3	1470686	LÅSEKLIPS HØYDEREG AQUATEC OCEAN VIP	1
4	16334	HÆLSTROPP PAR DUSJ/TOASTOL OCEAN	1
	1536056	(PEG, HEEL STRAP)	1
	1536057	(Screw (A2KV) K50x16 for Heel loop)	1
5	1470687	HJUL 5" M BREMS BLÅ, RETN- SPERRE. OCEAN VIPP	1
28	1526019	(Side part Ocean VIP, left)	1
6	16259	HJUL 5" M BREMS, RØD. OCEAN OG OCEAN VIPP	1
7	1470688	DISTANSEPLATE DUSJTOAST AQUATEC OCEAN VIP	1
26	1470703	SKRUESETT FOR RAMME AQUATEC OCEAN VIP	1
27	1526018	(Side part Ocean VIP right)	1
8	1470689	FOTBRETT DUSJTOASTOL AQUATEC OCEAN VIP	1
9	1470690	SETE DUSJTOASTOL AQUATEC AQUATEC OCEAN VIP	1
12	1471143	RYGGTREKK OCEAN VIP, E-VIP DUAL VIP	1
		<i>Replaces item 1470692</i>	
10	1470691	FESTEBESLAG HODESTØTTE OCEAN VIP	1
		<i>Until serial number 1905916 (17/10/2006)</i>	
10	1470971	HOLDER MED SKRUE HODESTØTTE OCEAN	1
		<i>Starting with serial number 1905917 (18/10/2006)</i>	
11	16434	MONTERINGSSETT FOR RYGG OCEAN VIPP	1
29	1514510	(Insert armrest Ocean series)	1
13	1470694	ARMLEN RETT VENSTRE KPL OCEAN VIP	1
14	1470693	ARMLEN RETT HØYRE KOMPL OCEAN VIP	1
15	1470695	BENSTØTTE KOMPLETT VE OCEAN VIPP	1
16	1470696	BENSTØTTE KOMPLETT HØ OCEAN VIPP	1

**Reservedeler**

---

17	16472	ARMLENSPUTE OCEAN OCEAN	1
18	1470698	PLASTPROPPER SETT A 8 ST BAK AQUATEC OCEAN VIP	1
19	1470699	ADAPTER RYGG M.SKRUER AQUATEC OCEAN VIP	1
20	1470700	NAKKESTØTTE OCEAN VIP U/FESTE FESTE 1470971	1
20	1470790	HODESTØTTE KPL MED FESTE OCEAN VIP	1
21	1470701	GASTRYKKFJÆR DUSJTOASTOL AQUATEC OCEAN VIP	1
	1535007	(Fixation gasspring Ocean Vip)	1
	16456	LÅSERING MOTOR ORCA	1
22	1470702	PLASTPROPPER SETT A 8 ST FRONT AQUATEC OCEAN VIP	1
23	1470704	UTLØSERMEKANISME FOR GAS AQUATEC OCEAN VIP	1
24	1514509	PLASTSTYKKE FOR HOLDER HODESTØTTE OCEAN	1
25	1470929	FESTE BENSTØTTE OCEAN VIP AQUATEC,S/N 1802174>	1



1	1470075	SETE MYKT INTIMHULL OCEAN VIP	1
2	16343	SETEKLOSS TIL MYKSETE HYGIENEUTSKJÆRING OCEAN	1
3	16342	SETE MYKT OVALT HULL OCEAN	1
4	16511	SPRUTBESKYTTER OCEAN	1
5	1526032	SETE MYKT UTEN HULL OCEAN ALLE TYPER OG PICO	1
6	1531259	SETE SOFT ERGONOMISK INTIMHULL VIP OG E-VIP	1
7	1544469	MYKSETE VARIABELT KPL OCEAN SERIEN	1
8	1470085	RYGG VINKELSTILLBAR OCEAN VIP	1
9	1470077	LÅS ARMLEN OCEAN VIP AQUATEC	1
10	1470081	BRYSTBELTE ALLE OCEAN 98-110 CM AQUATEC	1
10	1470082	BEKKENBELTE ALLE OCEAN 98-110 CM AQUATEC	1
11	1470086	ARMLEN UTVIDET OCEAN OG OCEAN VIP E-VIP PAR	1
12	1470083	AMPUTASJONSSTØTTE VE OCEAN VIP	1
12	1470827	AMPUTASJONSSTØTTE HØ OCEAN VIP	1
	1514508	(fixing clamp for amputation support)	1
12	1556894	AMPUTASJONSSTØTTE VE OCEAN	1
12	1556893	AMPUTASJONSSTØTTE HØ OCEAN	1
13	1535936	TIPPESIKRING FORAN PAR KPL OCEAN VIP	1
14	1546705	BENSTØTTE VREG KPL VE ALLE OCEAN	1
14	1546439	BENSTØTTE VREG KPL HØ ALLE OCEAN	1
15	10167-10	SIKKERHETSBOYLE DUSJ/TOALETSTOL OCEAN	1
16	1470078	SIKKERHETSBOYLE BUET OCEAN XL ALLE TYPER	1
17	1535077	SIDESTØTTE OCEAN M.FESTE OCEAN STK	1
18	1531608	NAKKESTØTTE PUTE BUET OCEAN VIPP U STOLPE OG F	1
19	1531465	HODESTØTTE PUTE BUET OCEAN U STOLPE OG FESTE	1
20	1531613	HODESTØTTE HOLDER TIL OCEAN VIPP	1
21	1558769	RYGGPUTE MYK OCEAN SERIEN BLÅ	1
22	10230	BEKKEN M LOKK PLAST OCEAN ALLE LAGUNA	1
23	1541289	(Lid for pan Ocean, Ocean VIP, XL)	1
	1470076	BEKKENHOLDER OCEAN VIP	1
	1526945	(Cap Panholder Ocean VIP)	2

## Tilbehør

---

24	1575299	FAST RYGG OCEAN NY APRIL 2015	1
25	1470833	TIPPESIKRIN OCEAN VIP BEVEGLIG RYGG PAR	1







Yes, you can.®



---

**Belgium & Luxemburg:**

Invacare nv, Autobaan 22, B-8210 Loppem  
Tel: (32) (0)50 83 10 10, Fax: (32) (0)50 83 10 11  
belgium@invacare.com / www.invacare.be

**Denmark:**

Invacare A/S, Sdr. Ringvej 37, DK-2605 Brøndby  
Tel: (45) (0)36 90 00 00, Fax: (45) (0)36 90 00 01  
denmark@invacare.com / www.invacare.dk

**Deutschland:**

Invacare Aquatec GmbH, Alemannenstraße 10, D-88316 Isny  
Tel: (49) (0)75 62 7 00 0, Fax: (49) (0)75 62 7 00 66  
info@invacare-aquatec.com / www.invacare-aquatec.de

**European Distributor Organisation:**

Invacare, Kleiststraße 49, D-32457 Porta Westfalica  
Tel: (49) (0)57 31 754 540, Fax: (49) (0)57 31 754 541  
edo@invacare.com / www.invacare.eu.com

**España:**

Invacare SA, c/Areny s/n, Polígon Industrial de Celrà, E-17460 Celrà (Girona)  
Tel: (34) (0)972 49 32 00, Fax: (34) (0)972 49 32 20  
contactsp@invacare.com / www.invacare.es

**France:**

Invacare Poirier SAS, Route de St Roch, F-37230 Fondettes  
Tel: (33) (0)2 47 62 64 66, Fax: (33) (0)2 47 42 12 24  
contactfr@invacare.com / www.invacare.fr

**Ireland:**

Invacare Ireland Ltd, Unit 5 Seatown Business Campus, Seatown Road, Swords, County Dublin - Ireland  
Tel: (353) 1 810 7084, Fax: (353) 1 810 7085  
ireland@invacare.com / www.invacare.ie

**Italia:**

Invacare Mecc San s.r.l., Via dei Pini 62, I-36016 Thiene (VI)  
Tel: (39) 0445 38 00 59, Fax: (39) 0445 38 00 34  
italia@invacare.com / www.invacare.it

**Nederland:**

Invacare BV, Celsiusstraat 46, NL-6716 BZ Ede  
Tel: (31) (0)318 695 757, Fax: (31) (0)318 695 758  
nederland@invacare.com, csede@invacare.com / www.invacare.nl

**Norge:**

Invacare AS, Grensesvingen 9, Postboks 6230, Etterstad, N-0603 Oslo  
Tel: (47) (0)22 57 95 00, Fax: (47) (0)22 57 95 01  
norway@invacare.com, island@invacare.com / www.invacare.no

**Österreich:**

Invacare Austria GmbH, Herzog Odilostrasse 101, A-5310 Mondsee  
Tel: (43) 6232 5535 0, Fax: (43) 6232 5535 4  
info-austria@invacare.com / www.invacare.at

**Portugal:**

Invacare Lda, Rua Estrada Velha, 949, P-4465-784 Leça do Balio  
Tel: (351) (0)225 1059 46147, Fax: (351) (0)225 1057 39  
portugal@invacare.com / www.invacare.pt

**Sverige & Suomi:**

Invacare AB, Fagerstagatan 9, S-163 91 Spånga  
Tel: (46) (0)8 761 70 90, Fax: (46) (0)8 761 81 08  
sweden@invacare.com, finland@invacare.com / www.invacare.se

**Switzerland:**

Invacare AG, Benkenstrasse 260, CH-4108 Witterswil  
Tel: (41) (0)61 487 70 80, Fax: (41) (0)61 487 70 81  
switzerland@invacare.com / www.invacare.ch

**United Kingdom:**

Invacare Limited, Pencoed Technology Park, Pencoed, Bridgend CF35 5AQ  
Switchboard Tel: (44) (0)1656 776200, Fax: (44) (0)1656 776201  
Customer services Tel: (44) (0)1656 776222, Fax: (44) (0)1656 776220  
uk@invacare.com / www.invacare.co.uk