

Cura 140

Please fill in completely!

- Request
 Order

Purchaser _____

Client no. _____

Stamp _____

Date, signature _____

Reference _____

Depth of bathtub* 390 cm
 Length of supply hose 2 m

Drain Headpart
 right right
 left left
 centre (of the bathtub)

Free-standing bathtub
 yes no

Colour covermat
 white blue

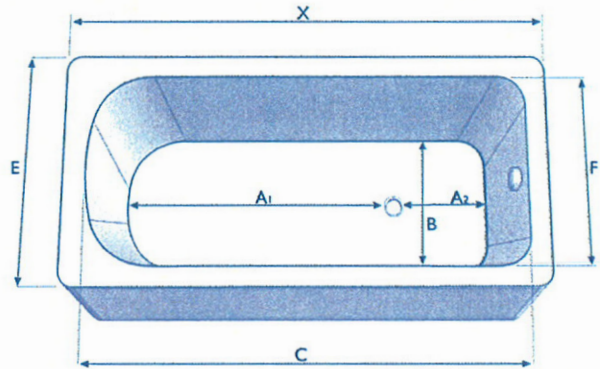
User's weight
 20 - 70 kg
 50 - 130 kg
 100 - 150 kg

* Please place a wood plate or the like across the bathtub and measure the depth in the centre of the bathtub.

The purchaser is responsible for complete and correct measurements!

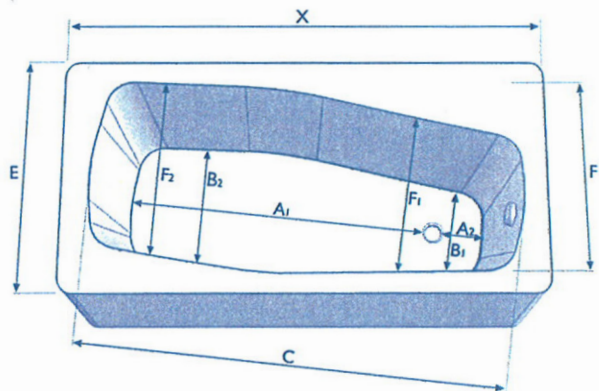
The lift is individually made to fit your bathtub!
 Please enter the dimensions of your bathtub to the picture that fits your bathtub most.

1 Cura 140



A1	Bathtub bottom to drain	73 cm
A2	Drain to curve	7 cm
B	Bathtub width at the bottom	35 cm
C	Bathtub length at the top (inside)	122 cm
E	Bathtub width outside	70 cm
F	Bathtub width at the top (inside)	56 cm
X	Bathtub length outside	140 cm

2



A1	Bathtub bottom to drain	cm
A2	Drain to curve	cm
B1	Bathtub width at the bottom	cm
B2	Bathtub width at the bottom	cm
C	Bathtub length at the top (inside)	cm
E	Bathtub width outside	cm
F1	Bathtub width at the top (inside)	cm
F2	Bathtub width at the top (inside)	cm
X	Bathtub length outside	cm

Cura 150

Please fill in completely!

- Request
 Order

Purchaser _____

Client no. _____

Stamp _____

Date, signature _____

Reference _____

Depth of bathtub* 410 cm
 Length of supply hose 2 m

Drain Headpart
 right right
 left left
 centre (of the bathtub)

Free-standing bathtub
 yes no

Colour covermat
 white blue

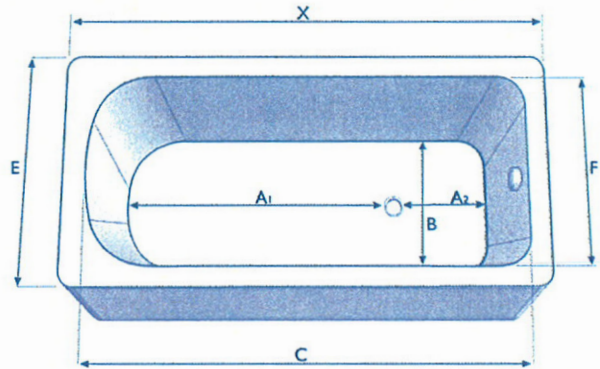
User's weight
 20 - 70 kg
 50 - 130 kg
 100 - 150 kg

* Please place a wood plate or the like across the bathtub and measure the depth in the centre of the bathtub.

The purchaser is responsible for complete and correct measurements!

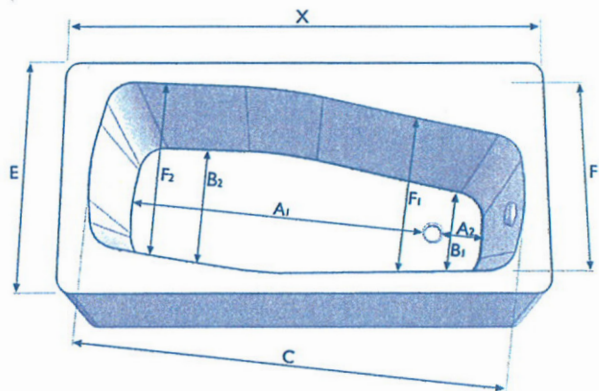
The lift is individually made to fit your bathtub!
 Please enter the dimensions of your bathtub to the picture that fits your bathtub most.

1 Cura 150



A1	Bathtub bottom to drain	88 cm
A2	Drain to curve	4 cm
B	Bathtub width at the bottom	43 cm
C	Bathtub length at the top (inside)	133 cm
E	Bathtub width outside	69,5 cm
F	Bathtub width at the top (inside)	56 cm
X	Bathtub length outside	150 cm

2



A1	Bathtub bottom to drain	cm
A2	Drain to curve	cm
B1	Bathtub width at the bottom	cm
B2	Bathtub width at the bottom	cm
C	Bathtub length at the top (inside)	cm
E	Bathtub width outside	cm
F1	Bathtub width at the top (inside)	cm
F2	Bathtub width at the top (inside)	cm
X	Bathtub length outside	cm

Cura 160

Please fill in completely!

- Request
 Order

Purchaser _____

Client no. _____

Stamp _____

Date, signature _____

Reference _____

Depth of bathtub* 410 cm
 Length of supply hose 2 m

Drain Headpart
 right right
 left left
 centre (of the bathtub)

Free-standing bathtub
 yes no

Colour covermat
 white blue

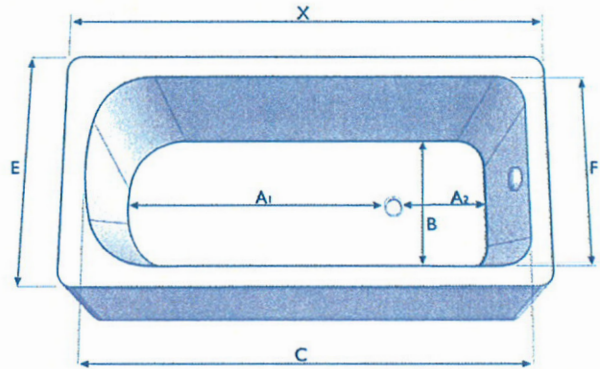
User's weight
 20 - 70 kg
 50 - 130 kg
 100 - 150 kg

* Please place a wood plate or the like across the bathtub and measure the depth in the centre of the bathtub.

The purchaser is responsible for complete and correct measurements!

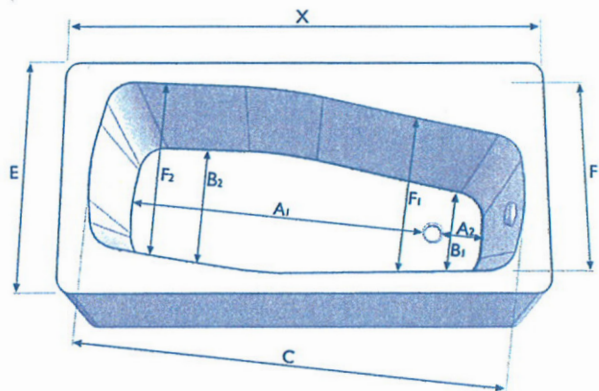
The lift is individually made to fit your bathtub!
 Please enter the dimensions of your bathtub to the picture that fits your bathtub most.

1 Cura 160



A1	Bathtub bottom to drain	97 cm
A2	Drain to curve	5 cm
B	Bathtub width at the bottom	42 cm
C	Bathtub length at the top (inside)	142 cm
E	Bathtub width outside	69,5 cm
F	Bathtub width at the top (inside)	56 cm
X	Bathtub length outside	160 cm

2



A1	Bathtub bottom to drain	cm
A2	Drain to curve	cm
B1	Bathtub width at the bottom	cm
B2	Bathtub width at the bottom	cm
C	Bathtub length at the top (inside)	cm
E	Bathtub width outside	cm
F1	Bathtub width at the top (inside)	cm
F2	Bathtub width at the top (inside)	cm
X	Bathtub length outside	cm

Cura 170

Please fill in completely!

- Request
 Order

Purchaser _____

Client no. _____

Stamp _____

Date, signature _____

Reference _____

Depth of bathtub* 385 cm
 Length of supply hose 2 m

Drain Headpart
 right right
 left left
 centre (of the bathtub)

Free-standing bathtub
 yes no

Colour covermat
 white blue

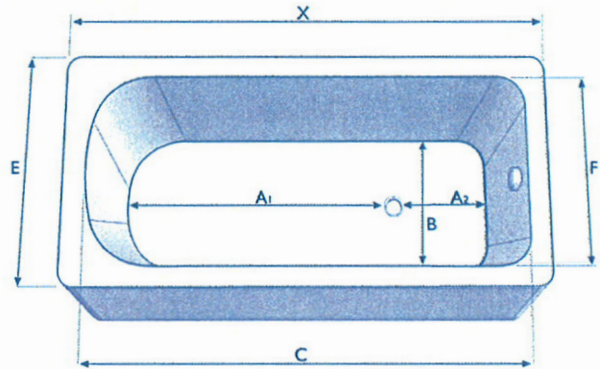
User's weight
 20 - 70 kg
 50 - 130 kg
 100 - 150 kg

* Please place a wood plate or the like across the bathtub and measure the depth in the centre of the bathtub.

The purchaser is responsible for complete and correct measurements!

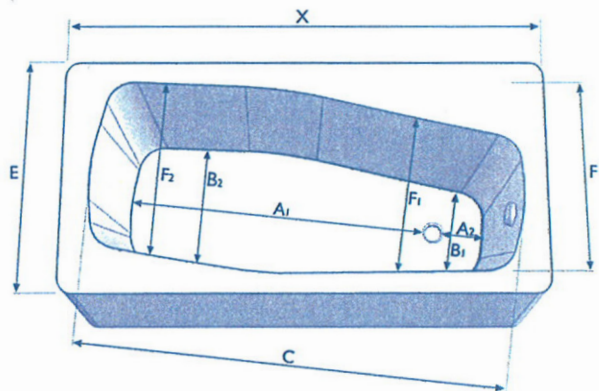
The lift is individually made to fit your bathtub!
 Please enter the dimensions of your bathtub to the picture that fits your bathtub most.

1 Cura 170



A1	Bathtub bottom to drain	106 cm
A2	Drain to curve	5 cm
B	Bathtub width at the bottom	44 cm
C	Bathtub length at the top (inside)	153 cm
E	Bathtub width outside	69,5 cm
F	Bathtub width at the top (inside)	61 cm
X	Bathtub length outside	170 cm

2



A1	Bathtub bottom to drain	cm
A2	Drain to curve	cm
B1	Bathtub width at the bottom	cm
B2	Bathtub width at the bottom	cm
C	Bathtub length at the top (inside)	cm
E	Bathtub width outside	cm
F1	Bathtub width at the top (inside)	cm
F2	Bathtub width at the top (inside)	cm
X	Bathtub length outside	cm

Cura 180

Please fill in completely!

- Request
 Order

Purchaser _____

Client no. _____

Stamp _____

Date, signature _____

Reference _____

Depth of bathtub* 415 cm
 Length of supply hose 2 m

Drain Headpart
 right right
 left left
 centre (of the bathtub)

Free-standing bathtub
 yes no

Colour covermat
 white blue

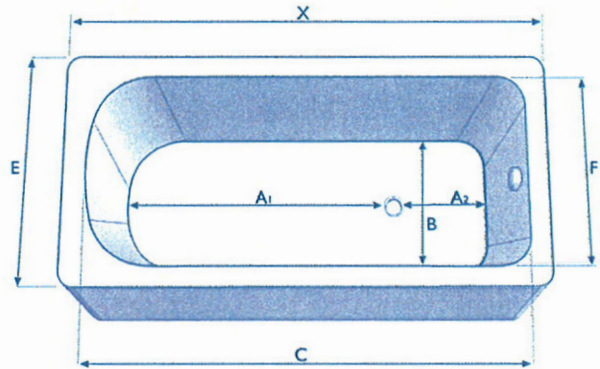
User's weight
 20 - 70 kg
 50 - 130 kg
 100 - 150 kg

* Please place a wood plate or the like across the bathtub and measure the depth in the centre of the bathtub.

The purchaser is responsible for complete and correct measurements!

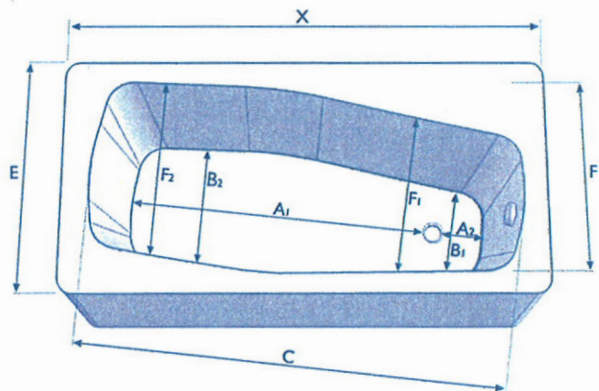
The lift is individually made to fit your bathtub!
 Please enter the dimensions of your bathtub to the picture that fits your bathtub most.

1 Cura 180



A1	Bathtub bottom to drain	110 cm
A2	Drain to curve	7 cm
B	Bathtub width at the bottom	50 cm
C	Bathtub length at the top (inside)	165 cm
E	Bathtub width outside	80 cm
F	Bathtub width at the top (inside)	66 cm
X	Bathtub length outside	180 cm

2



A1	Bathtub bottom to drain	cm
A2	Drain to curve	cm
B1	Bathtub width at the bottom	cm
B2	Bathtub width at the bottom	cm
C	Bathtub length at the top (inside)	cm
E	Bathtub width outside	cm
F1	Bathtub width at the top (inside)	cm
F2	Bathtub width at the top (inside)	cm
X	Bathtub length outside	cm