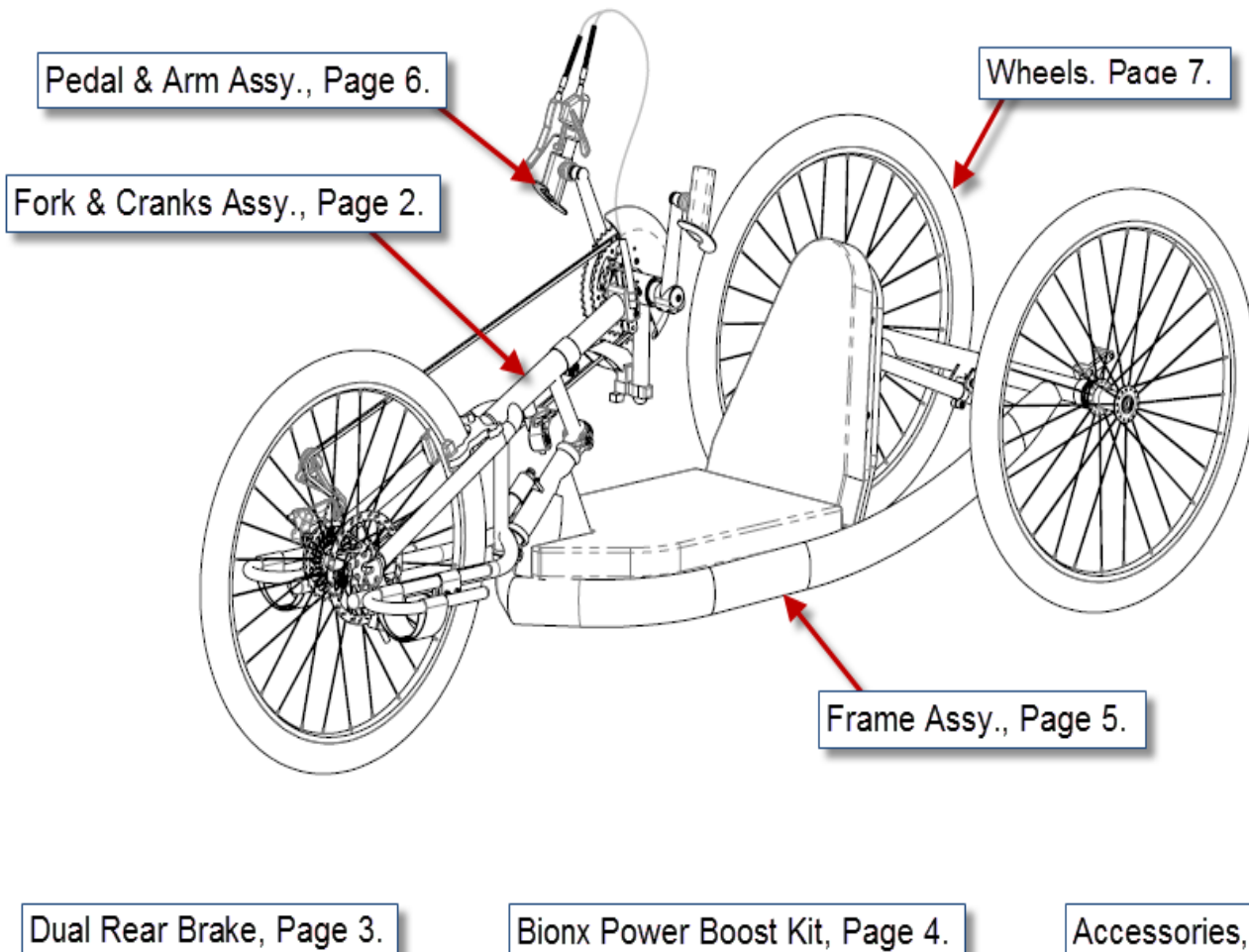




Sports and Recreation Products
4501 63rd Circle North
Pinellas Park, FL 33781
(800) 532-8677 (727) 522-8677
Fax: (727) 522-1007
www.topendwheelchair.com

Invacare Top End Parts Catalog Force CC





Invacare Top End Sports and Recreation Products

(800) 532-8677 (727) 522-8677 fax: (727) 522-1007

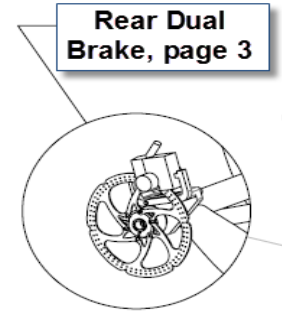
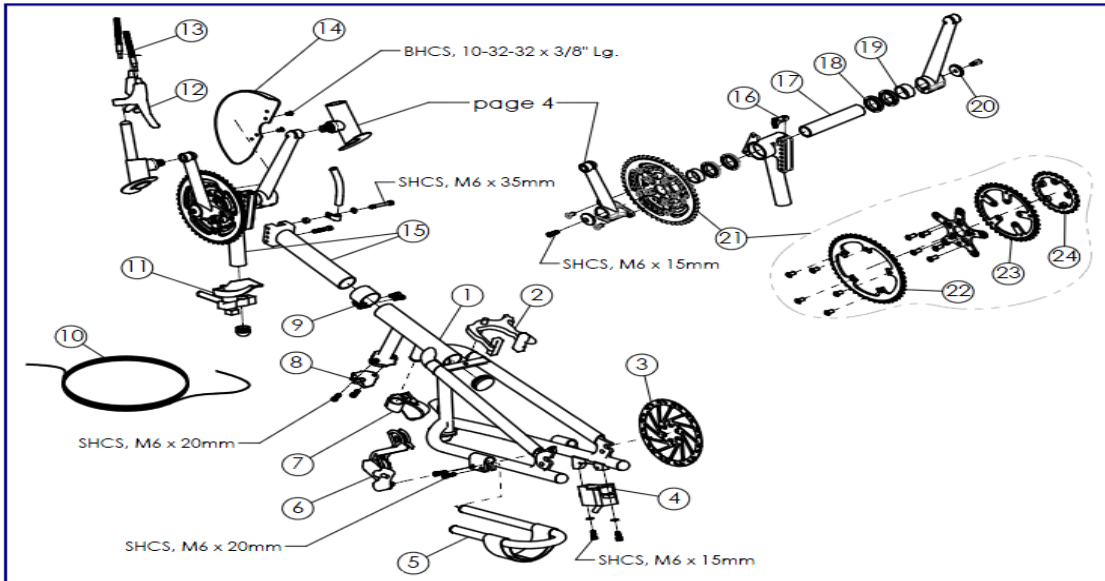
Parts Order Diagram:

Force CC: Fork and Crank Assembly

Date: PO#: SO#:

Bill To: Ship To:

Quote #: Phone: Serial #:



ITEM	PART NUMBER	PER BIKE	DESCRIPTION	QTY.	
1	1166643	1	Fork, Force CC (incl: fork, 4 bolts) -Serial# Required- <input type="text"/> Color: <input type="text"/>	<input type="text"/>	EA
2	1166689	1	Parking Brake Caliper	<input type="text"/>	EA
3	1156768	1	Disc Brake Rotor for Standard Wheel Only (Front)	<input type="text"/>	EA
	1156769	2	Replacement Pads for Disc Brake (Front)	<input type="text"/>	PR
4	1156720	1	Disc Brake Caliper	<input type="text"/>	EA
5	1153042	2	Handcycle Leg Support (3/4") w/ Strap <input type="checkbox"/> Right <input type="checkbox"/> Left (Include: Strap, p/n 1060650)	<input type="text"/>	EA
	1181064	2	Footrest Tube,(3/4") w/ Velcro (only)	<input type="text"/>	EA
	1060650	2	Strap, Footrest	<input type="text"/>	EA
6	1054246	1	Front wheel derailleur, 27 SPD	<input type="text"/>	EA
7	1166481	1	Parking Brake Lever	<input type="text"/>	EA
8	1153164	2	Fork Clamp, Bottom Half	<input type="text"/>	EA
9	1166666	1	Fork Clamp 1-3/8"	<input type="text"/>	EA
10	1146014	1	Cable and Housing: <input type="checkbox"/> Parking Brake <input type="checkbox"/> Hand Brake <input type="checkbox"/> Shifter <input type="checkbox"/> Right-Rear <input type="checkbox"/> Left-Rear	<input type="text"/>	EA
11	1139745	1	Manual Derailleur Assembly (incl: derailleur, lever, and hardware)	<input type="text"/>	EA
12	1127946	1	RapidFire shifter/brake lever RH, 27Spd	<input type="text"/>	EA
13	1181053	2	Cable spring Assembly	<input type="text"/>	EA
14	1156773	1	Chainring Guard, Solid	<input type="text"/>	EA
15	1153055	1	Crank Assy., Diagonal & Vertical Adjustment - Include: Housing, Spindle, and Hardware (Two (2) SHCS M6 X 35MM and four (4) SHCS M6 X 15MM)	<input type="text"/>	EA
16	1181065	1	Cable Stop Assy., (Include Hardware)	<input type="text"/>	EA
17	1153311	1	Spindle, Bottom Bracket, Spindle Length: <input type="checkbox"/> 6" <input type="checkbox"/> 7"	<input type="text"/>	EA
18	1127921	4	Bearing, Bottom Bracket 30mm x 42 x 7	<input type="text"/>	EA
19	1180993	2	Crank Spacer, (width: <input type="checkbox"/> 1/4" <input type="checkbox"/> 3/8" <input type="checkbox"/> 1/2" <input type="checkbox"/> 5/8" <input type="checkbox"/> 3/4" <input type="checkbox"/> 7/8" <input type="checkbox"/> 1")	<input type="text"/>	EA
20	1145951	2	Cap, Spindle (With SHCS, M6 x 16mm)	<input type="text"/>	EA
21	1166696	1	Chainring Asm, 44-34-22 (compact) (Assembled including separate spacer)	<input type="text"/>	EA
22	1166692	1	Alloy chainring, 44Tx110mm silver, Origin8	<input type="text"/>	EA
23	1166693	1	Alloy chainring, 34Tx110mm silver, Origin8	<input type="text"/>	EA
24	1166694	1	Alloy chainring, 22Tx58mm silver, Origin8	<input type="text"/>	EA
	1057052	1	Standard Chain, (Ref. to Chainring Assy.) 9 Speed	<input type="text"/>	EA
	1156685	1	Chain, Hollow Pin, 74"	<input type="text"/>	EA
25	1166631	1	Compact Spider 58/74/110 BCD, Black (needed to assemble chainrings, only included when ordering chainring assemblies above)	<input type="text"/>	EA



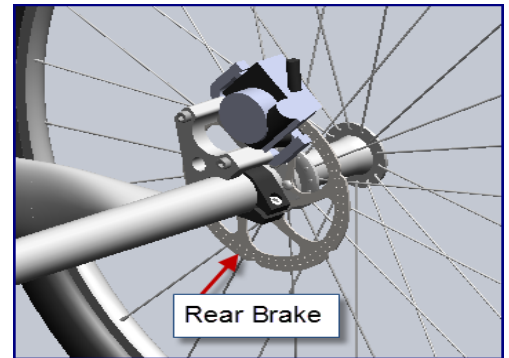
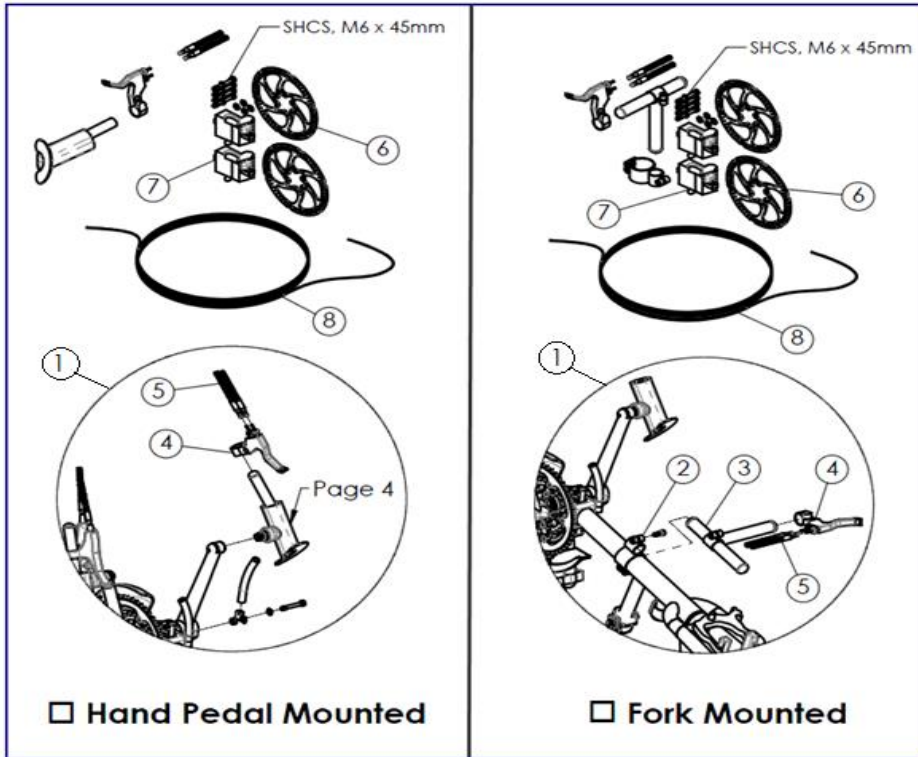
Invacare Top End Sports and Recreation Products

(800) 532-8677 (727) 522-8677 fax: (727) 522-1007

Parts Order Diagram:

Force CC: Dual Rear Brakes

Date:	PO#:	SO#:
Bill To:	Ship To:	
Quote #:	Phone:	Serial #:



ITEM	PART NUMBER	PER BIKE	DESCRIPTION	QTY.	
1	XLT88	1	Dual Rear Disk Brake Kit, Brake Lever: <input type="checkbox"/> Hand Pedal Mount (std) <input type="checkbox"/> Fork Mounted		EA
2	1166666	1	1-3/8" Clamp, Includes Hardware (Fork Mounted only)		EA
3	1166676	1	Clamp, CC Brake Lever Mount, (Fork Mounted only)		EA
4	1166644	1	Brake lever for Dual Cables		EA
5	1181053	2	Cable spring Assy., handcycle		EA
6	1166649	2	Disc Brake Rotor		EA
7	1156720	2	Disc Brake Caliper		EA
	1156769	2	Replacement Pads for Disc Brake		PR
8	1146014	2	Cable and Housing, for Dual Rear Brake		EA



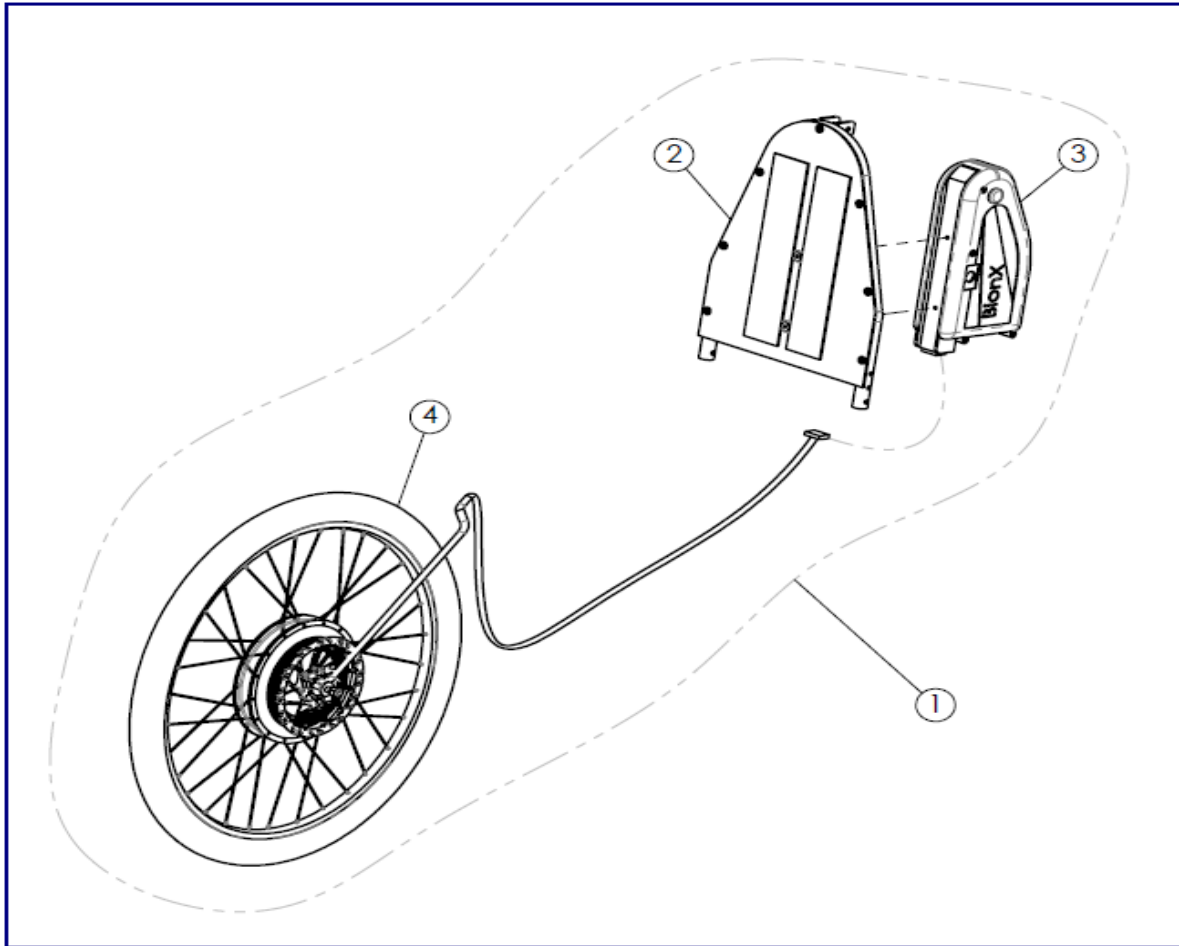
Invacare Top End Sports and Recreation Products

(800) 532-8677 (727) 522-8677 fax: (727) 522-1007

Parts Order Diagram:

Force CC: Bionix Power Boost Kit

Date:	PO#:	SO#:
Bill To:	Ship To:	
Quote #:	Phone:	Serial #:



ITEM	PART NUMBER	PER BIKE	DESCRIPTION	QTY.	
1	1181169	1	Bionx Power Boost Kit		EA
2	1181152	1	Bionx Backrest Assembly, Seat Width: <input type="checkbox"/> 15" Wide <input type="checkbox"/> 17" Wide		EA
3	1181170	1	Battery DT 48V 6.6 amps flat black		EA
4	1181171	1	350W Freewheel G1 Motor Black (Included: Rim 26" Black, 32 Spoke 26" Black, 32 Nipples)		EA
	1181172	1	Docking Station w/o DC		EA
	1181173	1	G2 Console with Clip and Receptable		EA
	1181174	1	G2 Throttle Module		EA
	1181175	1	Power Supply 48V (w/o power cord)		EA



Invacare Top End Sports and Recreation Products

(800) 532-8677 (727) 522-8677 fax: (727) 522-1007

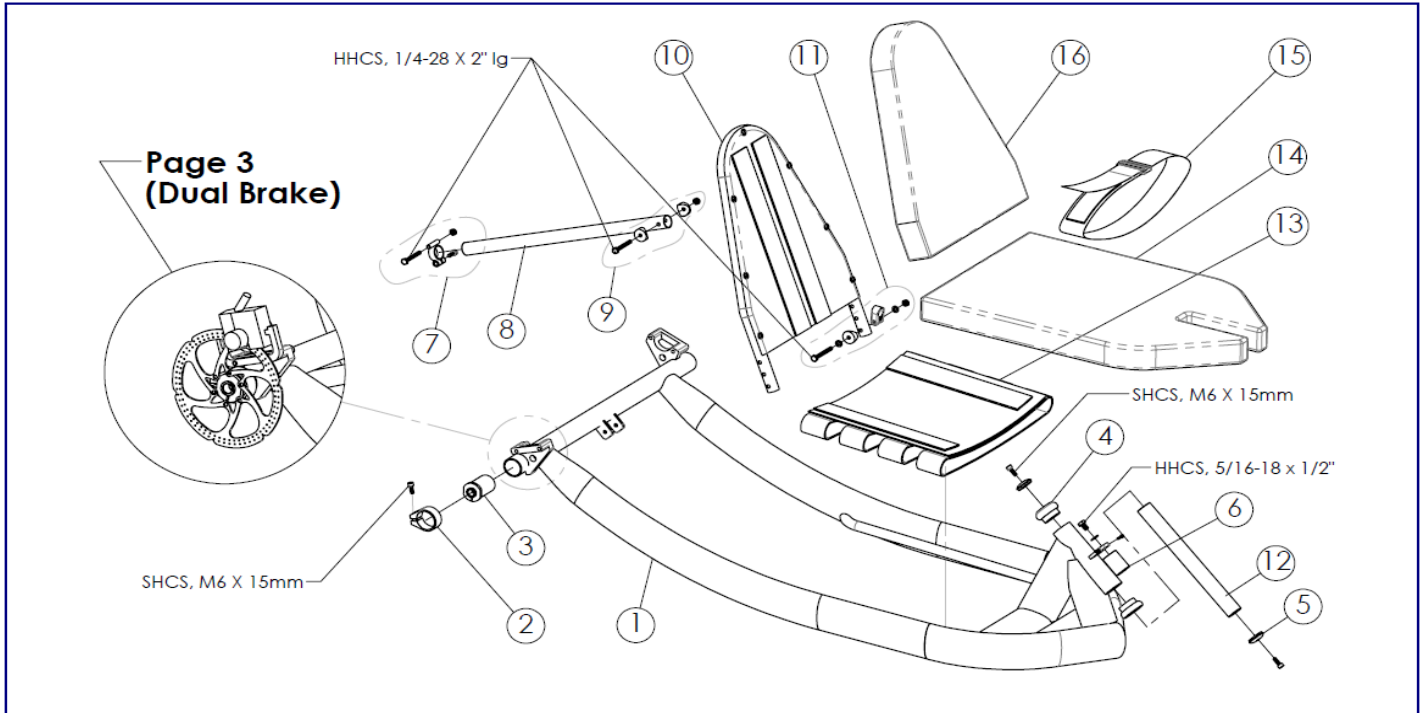
Parts Order Diagram:

Force CC: Frame Assembly


Date: PO#: SO#:

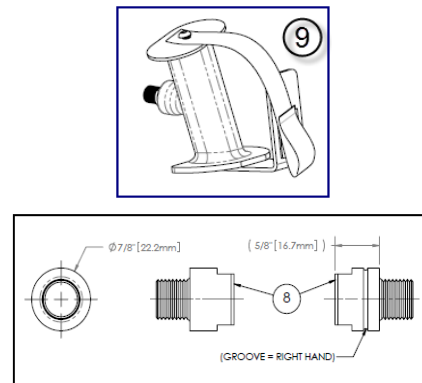
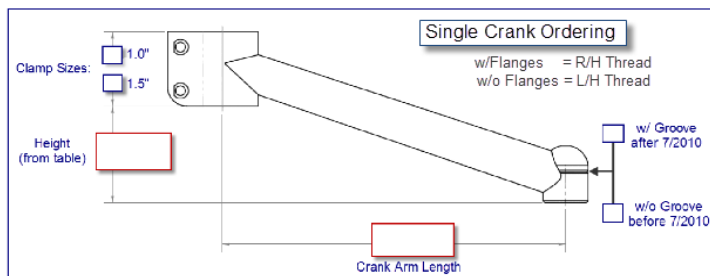
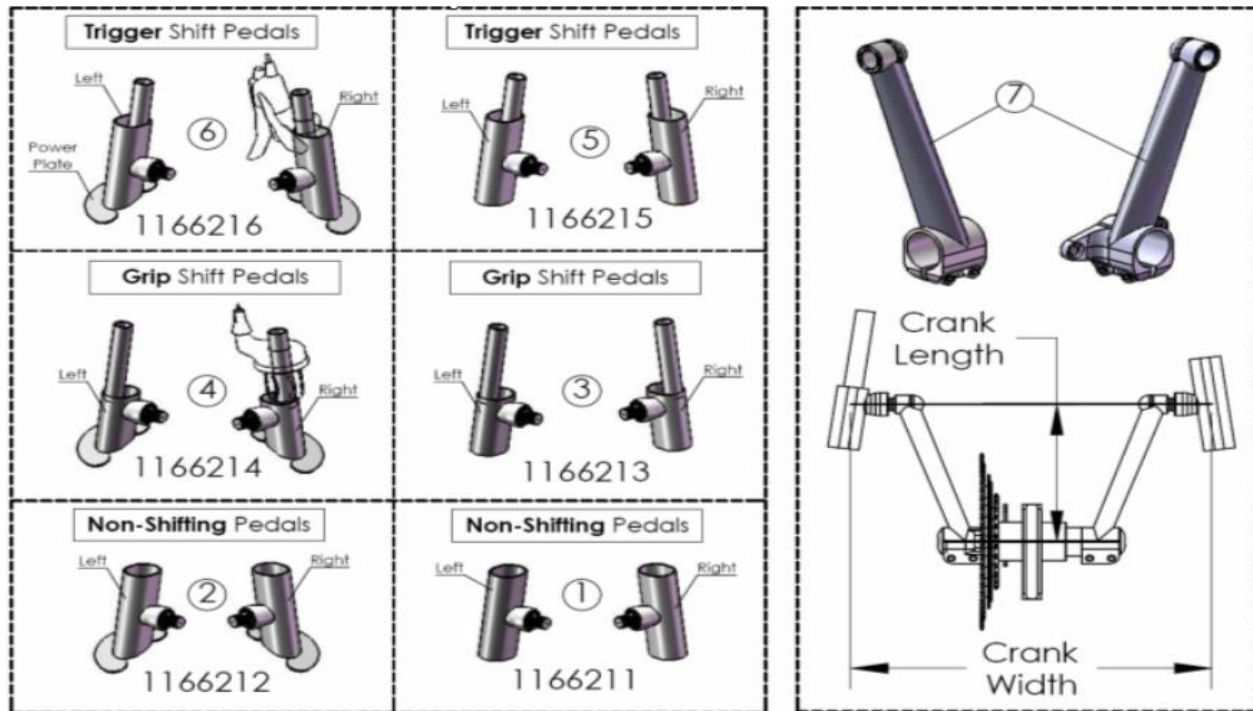
Bill To: Ship To:

Quote #: Phone: Serial #:




ITEM	PART NUMBER	PER BIKE	DESCRIPTION	QTY.	
1	1166642	1	Frame Serial # Required: <input type="text"/> -Seat Width: <input type="checkbox"/> 15" Wide <input type="checkbox"/> 17" Wide		EA
2	1116530	2	Camber Tube Clamp (with SHCS, M6 x 15mm)		EA
3	1061179	2	Camber Insert, Threaded Axle 0 Degree		EA
4	1166475	1	Headset, 1-1/8" diameter (Must be pressed into frame)		EA
5	1145951	2	Cap, Spindle with M6 x 15 mm Long Screws		EA
6	1146018	1	Dampener Assembly, STD Hardware (as of 01/01/13)		EA
	1166397	1	Dampener Assembly, Metric Hardware (as of 01/01/13)		EA
7	1153145	1	Pivot Clamp with hardware (SHCS M6 x 15mm, HHCS 1/4-20 x 2" LG., Locknut 1/4-20, Washers)		EA
8	1145958	1	Adjustable Back Support Tube		EA
9	1146019	1	Hardware, Upper Adjustable Back Support Tube (HHCS 1/4-20 x 2" LG., Locknut 1/4-20, Washers)		EA
10	1166254	1	Backrest Serial # Required: <input type="text"/> -Seat Width: <input type="checkbox"/> 15" Wide <input type="checkbox"/> 17" Wide		EA
11	1146022	1	Hardware, Lower Backrest (Set of 2 Assemblies) (Cope Washer, HHCS 1/4-28 x 2" Lg., Locknut 1/4-28, Washers)		PR
12	1146023	1	Headset Shaft Assembly (10-1/2" Long) Include 2 Star Nut		EA
13	1127963	1	Seat Upholstery Seat Width: <input type="checkbox"/> 15" Wide <input type="checkbox"/> 17" Wide <input type="checkbox"/> Black <input type="checkbox"/> Camouflage		EA
14	1166508	1	Seat Cushion Seat Width: <input type="checkbox"/> 15" Wide <input type="checkbox"/> 17" Wide <input type="checkbox"/> Black <input type="checkbox"/> Camouflage		EA
15	1109772	1	Seat Belt Seat Width: <input type="checkbox"/> 15" Wide <input type="checkbox"/> 17" Wide <input type="checkbox"/> Black <input type="checkbox"/> Camouflage		EA
16	1166509	1	Back Cushion Seat Width: <input type="checkbox"/> 15" Wide <input type="checkbox"/> 17" Wide <input type="checkbox"/> Black <input type="checkbox"/> Camouflage		EA

	Invacare Top End Sports and Recreation Products		Parts Order Diagram:	
	(800) 532-8677 (727) 522-8677 fax: (727) 522-1007		Force CC: Pedals and Arms	
Date:	PO#:	SO#:		
Bill To:		Ship To:		
Quote #:	Phone:	Serial #:		

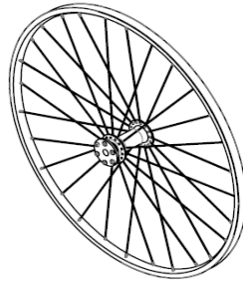


ITEM	PART NUMBER	PER BIKE	Pedals and Cranks <i>after</i> July 19, 2010				QTY.	
Produced <i>after</i> July 19,2010 (Dot? YES)			Pedal Size		R or L	Dot?		
1	1166211	1	Handpedal, Non-Shifting	<input type="checkbox"/> L <input type="checkbox"/> M <input type="checkbox"/> S	<input type="checkbox"/> L <input type="checkbox"/> R	Yes	EA	
2	1166212	1	Handpedal w/ Power Plate, Non-Shifting	<input type="checkbox"/> L <input type="checkbox"/> M <input type="checkbox"/> S	<input type="checkbox"/> L <input type="checkbox"/> R	Yes	EA	
3	1166213	1	Handpedal, Grip Shift	<input type="checkbox"/> L <input type="checkbox"/> M <input type="checkbox"/> S	<input type="checkbox"/> L <input type="checkbox"/> R	Yes	EA	
4	1166214	1	Handpedal w/ Power Plate, Grip Shifting	<input type="checkbox"/> L <input type="checkbox"/> M <input type="checkbox"/> S	<input type="checkbox"/> L <input type="checkbox"/> R	Yes	EA	
5	1166215	1	Handpedal, Trigger Shift	<input type="checkbox"/> L <input type="checkbox"/> M <input type="checkbox"/> S	<input type="checkbox"/> L <input type="checkbox"/> R	Yes	EA	
6	1166216	1	Handpedal w/ Power Plate, Trigger Shift	<input type="checkbox"/> L <input type="checkbox"/> M <input type="checkbox"/> S	<input type="checkbox"/> L <input type="checkbox"/> R	Yes	EA	
Produced <i>after</i> July 19,2010 (Groove? YES)			Bike Serial #	Crank Arm Lng (mm)	Groove?			
7	1166282	1	S-Crank Arm, Set		Yes		PR	
	1166217	1	V-Crank Arm, Set		Yes		PR	
8	1166516	1	Crank Width Extension Set, Adapter (Increases Overall Width by 1-1/4")				PR	
9	1166359	1	Non-Shifting Pedals Assy., w/Bracket	Size: <input type="checkbox"/> Lg <input type="checkbox"/> Med <input type="checkbox"/> Sm	Angle: <input type="checkbox"/> 15 std <input type="checkbox"/> 25		PR	

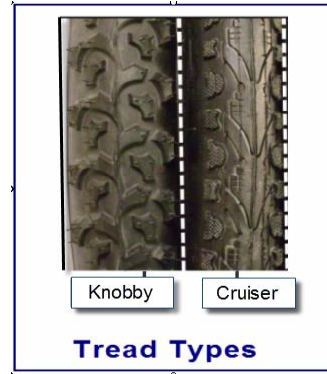
	Invacare Top End Sports and Recreation Products	Parts Order Diagram:	
	(800) 532-8677 (727) 522-8677 fax: (727) 522-1007	Force CC: Wheels	
Date:	PO#:	SO#:	
Bill To:	Ship To:		
Quote #:	Phone:	Serial #:	



Rear Wheel



Front Wheel



ITEM	PART NUMBER	PER BIKE	DESCRIPTION	QTY.	
	1166683	1	Drive wheel, 26x1.25, disc brake Compatible, 36H		EA
	1166695	2	Rear Wheel Assy. (does not include axle)		EA
	1166246	2	Threaded axle (Alex metal spoke wheels) 3-3/4" long		EA
	1166681	3	Cruiser tire, 26x1.25 (40-559) Kenda Kwest reflective K193		EA
	1166682	3	Tube, 26x1.50-1.95 w/Presta valve		EA
	1156711	1	Sram Cassette Cluster: 11-34		EA



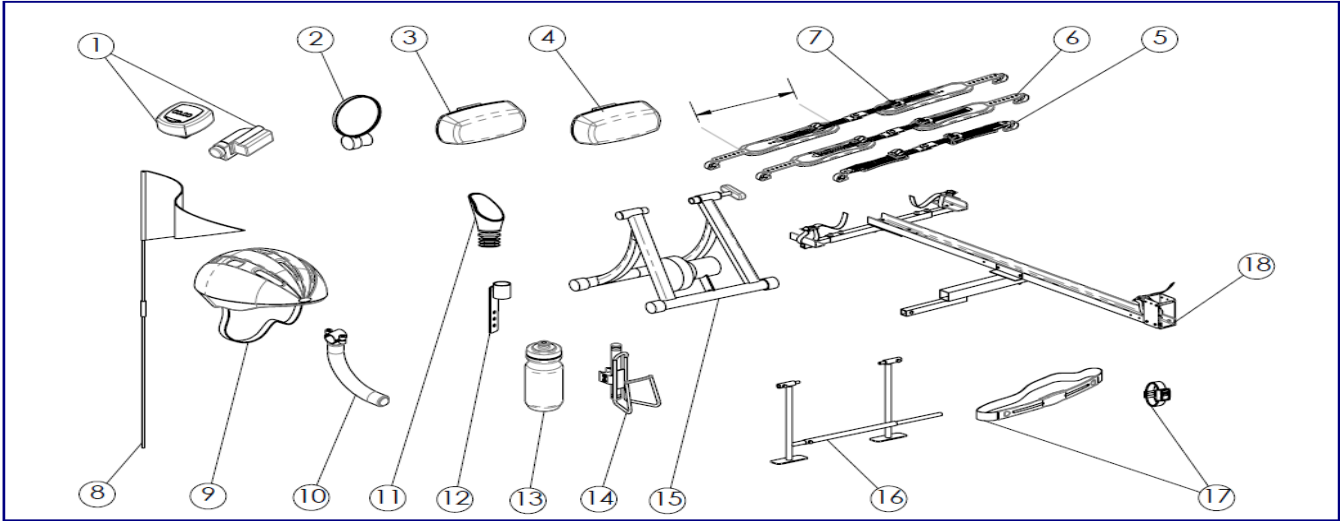
Invacare Top End Sports and Recreation Products

(800) 532-8677 (727) 522-8677 fax: (727) 522-1007

Parts Order Diagram:

Force CC: Accessories

Date:	PO#:	SO#:
Bill To:	Ship To:	
Quote #:	Phone:	Serial #:



ITEM	PART NUMBER	PER BIKE	DESCRIPTION	QTY.	
1	1056875	1	Cordless Computer		EA
2	1068722	1	Mirror, Footrest Mount		EA
3	1068721	1	Front Safety Light (clear)		EA
4	1060841	1	Rear Safety Light (red)		EA
5	1152963	1	Click Strap Set, 8" (small)		EA
6	1152964	1	Click Strap Set 10" (medium)		EA
7	1152965	1	Click Strap Set 12" (large)		EA
8	1060642	1	Safety flag (Does not include Flag Holder p/n 1156741) (DOESN'T FIT OEM HOLDER)		EA
9	1060639	1	Helmet: <input type="checkbox"/> Small <input type="checkbox"/> Medium <input type="checkbox"/> Large		EA
10	1166379	1	Curve Leg Support Kit		EA
11	1153045	1	Mirror, Handle Mount		EA
12	1166628	1	Mirror Bracket, Chainguard Mount (include: two Screw, #10-32 x 1/2")		EA
13	1166517	1	Water Bottle		EA
14	1068718	1	Water Bottle, Cage and Hardware (Indicated Bike Model)		PR
15	1116580	1	Indoor Training Roller		EA
	XLT86	1	LeMond Revolution trainer w/power meter		EA
	XLT87	1	LeMond Revolution trainer		EA
	1166633	1	Upright Weldment, LeMond Revolution Trainer		EA
	XLT97	1	SportCrafters handcycle mini roller		EA
16	1109717	1	Alignment Guage		EA
17	1139799	1	Heart Monitor (Chest Strap and Watch)		EA
18	1068771	1	Bike Rack for trailer hitch Receiver Size: <input type="checkbox"/> 1-1/4" (std) <input type="checkbox"/> 2"		EA
	1166528	1	Leg Guard Attachment		EA
	1060798	1	Backpack Hydration System		EA
	1166518	1	Tool and Tire Repair Kit		EA
	RACE4	1	Wheel Bag (fit 3 700c Wheels)		EA
	RACE20	1	Handcycle Travel Bag		EA
	RACE13	1	Top End Racing Jersey, Short Sleeve <input type="checkbox"/> Large <input type="checkbox"/> X-Large		EA
	RACE22	1	T-Shirt with Top End Logo, <input type="checkbox"/> Large <input type="checkbox"/> X-Large		EA