

Spare Parts Catalogue

Version: 2019/05/14a NO





Yes, you can.®

General Information

For any order of spare parts the following information is required:

- Product type*
- Product name & model*
- Serial Number*
- Part-Number*
- Part-Description*

Exploded view drawings and code numbers are not contractual and subject to modification, in relation to Invacare® continuous product improvement policy to meet end users needs.

The reproduction or use of this work, or of any substantial part of this work, in any form or by any electronic, mechanical or other means, including photocopying, scanning and recording, and in any information storage and retrieval system, including electronic transmission, is forbidden without the prior written permission of Invacare® International Sarl.



Yes, you can.[®]

TABLE OF CONTENTS

(Drive unit complete viamobil V25)

(Drive unit complete viamobil V25)	5
(Drive unit complete viamobil V25 spare parts)	6

(Control unit viamobil V25 complete)

(Control unit viamobil V25 complete)	7
(Control unit viamobil V25 complete spare parts)	8

(Charger E35 / E36 / V25)

(Charger E35 / E36 / V25)	9
---------------------------------	---

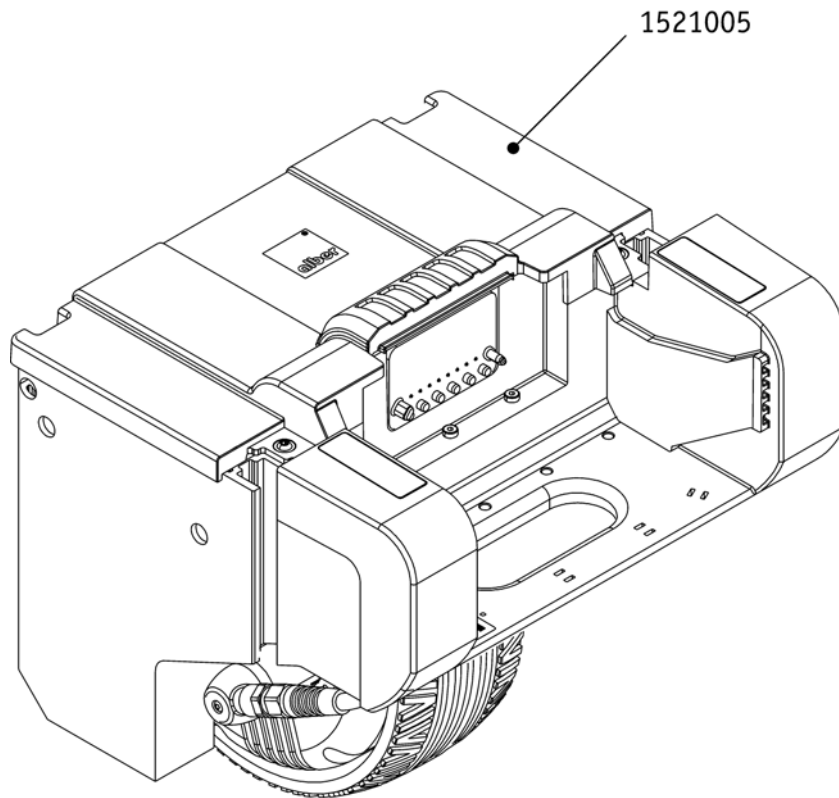
(Battery Pack for viamobil V25 complete)

(Battery Pack for viamobil V25 complete)	10
(Battery Pack for viamobil V25 complete spare parts)	11

(Others options & accessories)

(Others options & accessories)	12
(Additional push handles complete viamobil V25 pair comprising right and left spare parts)	13
(Anti-tippers V25 spare parts)	14

Alber Viamobil V25 | (Drive unit complete viamobil V25)
(Drive unit complete viamobil V25)

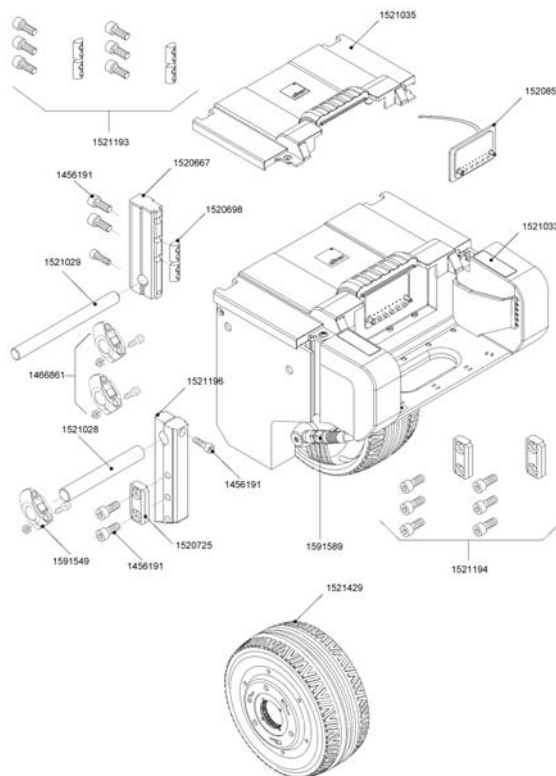


1521005

(Drive unit complete viamobil V25 spare parts)
DRIVENHET VIAMOBIL V25KUN DRIVENHET

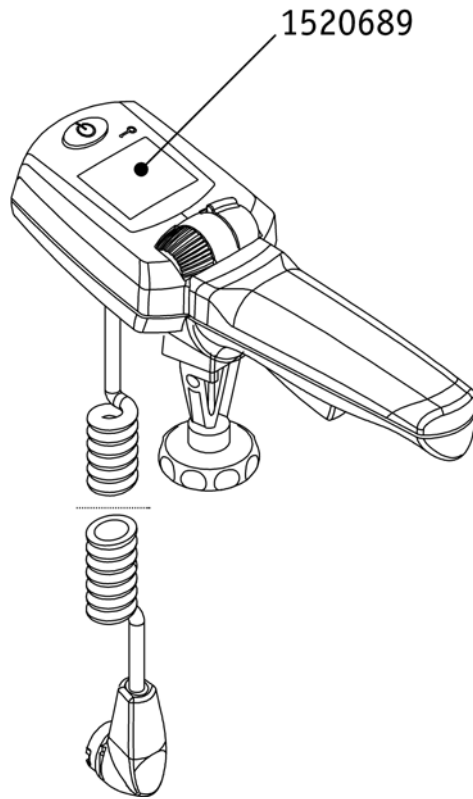
1

(Drive unit complete viamobil V25 spare parts)



1456191	SYLINDERSKRUE DIN 912 -M 6 x 20	1
1456550	STOPPER PÅ BOLTVIAMOBIL V25	1
1459449	SKRUE M6 ÆVRE BOLTVIAMOBIL	1
1520662	(Hoist Motor V25)	1
1520666	ALBER VIAMOBIL MONTERINGSPROFIL ØVRE BOLT V25	1
1520667	MONTERINGSPROFIL FREMREDEL V25	1
1520698	Mutter fOr T-Nut V25 GN506-8-M6	1
1520725	ENDESTYKKE ØVRE PROFILV25 BAK	1
1520765	KABEL MOTOR VIAMOBIL V25	1
1520859	LEDNINGSNETT MED KONTAKTVIAMOBIL V25 KPL	1
1521028	BOLTESETT ØVRE DUMMYNRVIAMOBIL	1
1521029	BOLTESETT NEDRE DUMMYNRVIAMOBIL	1
1521033	DEKSEL VIAMOBIL V25	1
1521035	DEKSEL DRIVENHETVIAMOBIL V25	1
1521429	DRIVHJUL MED DEKK KPLviamobil V25	1

Alber Viamobil V25 | (Control unit viamobil V25 complete)
(Control unit viamobil V25 complete)

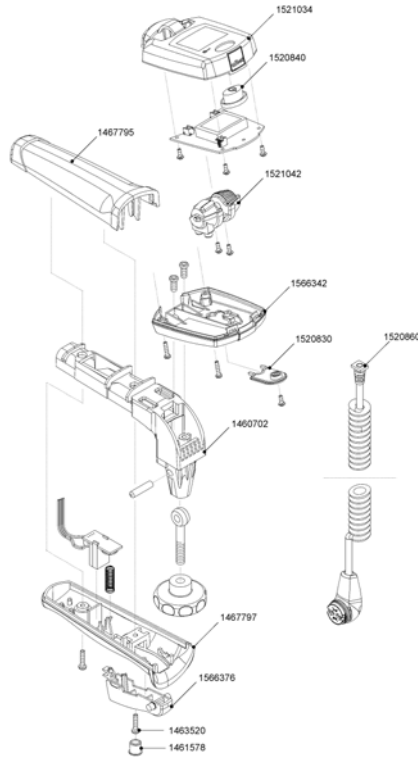


1520689

(Control unit viamobil V25 complete spare parts)
STYREBOKS VIAMOBIL V25VIAMOBIL V25

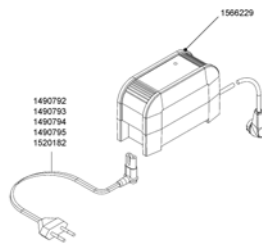
1

(Control unit viamobil V25 complete spare parts)



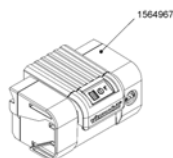
1460702	(Inlet control unit and handle for viamobil V15/V25 chrome-plated)	1
1461578	(Plug)	1
1463520	(Screw Ejot PT K 30 x 14 WN)	1
1467795	GREP TIL VIAMOBIL	1
1467803	(Throttle Lever Control Unit V25/E25/E26)	1
1467964	(Housing Control Unit handle lower part E25/E26)	1
1520830	(Cover Control Unit V25 bottom side)	1
1566342	(Housing lower part control unit)	1
1520840	(Switch ON/OFF Control Unit viamobil V25)	1
1520860	SPIRALKABEL VIAMOBIL V25VIAMOBIL V25	1
1521034	(Housing Control Unit V25 upper part)	1
1521042	(Roller support V25 complete)	1

(Charger E35 / E36 / V25)



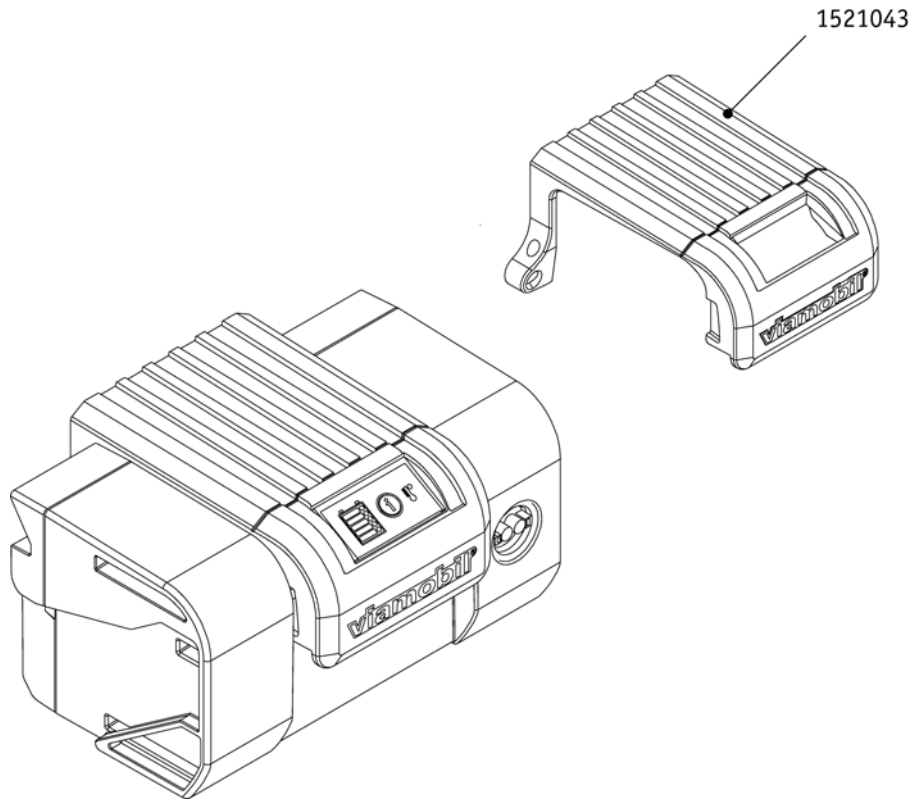
1566229	LADER E-FIX E35E-FIX E35	1
1592355	(Charger e-fix E35/E36/V25 incl. AU mains cable)	1
1592356	(Charger e-fix E35/E36/V25 incl. UK mains cable)	1
1520182	NETTKABEL LADER V15 V25E35 EU	1
1490792	(Main cable for charger, EU)	1
1490793	(Mains cable charger USA e-motion M15/PS3025)	1
1490794	(Mains cable for charger e-motion M15 PS3025)	1
1490795	(Mains cable for charger e-motion M15 PS3025 AU)	1

(Battery Pack for viamobil V25 complete)



1564967	(Battery Pack for viamobil V25 complete spare parts) BATTERIPAKKE KPLVIAMOBIL V25	1
---------	--	---

(Battery Pack for viamobil V25 complete spare parts)

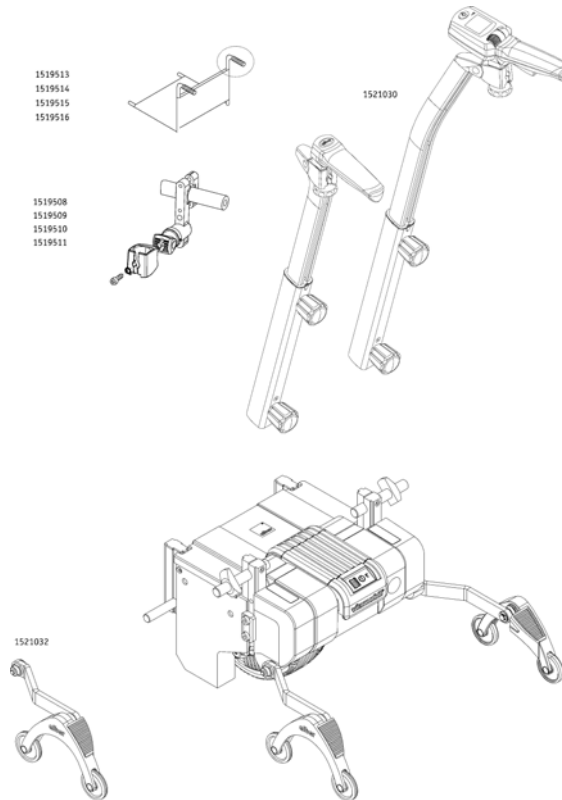


1521043

(Handle of Battery Pack viamobil V25 complete)

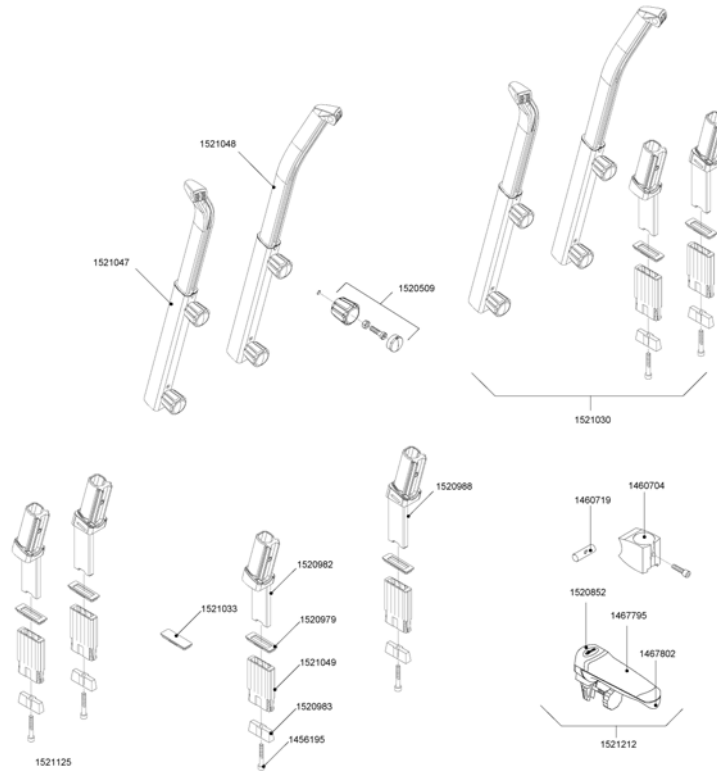
1

(Others options & accessories)



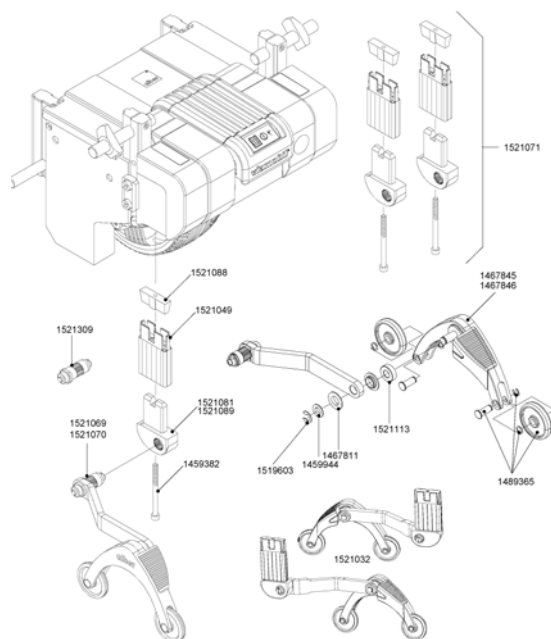
	(Additional push handles complete viamobil V25 pair comprising right and left spare parts)	
1521030	KJØREHÅNDTAK VIAMOBILV25 PAR KPL.M/NEDRE FEST (Anti-tippers V25 spare parts)	1
1521032	TIPPESIKRING VIAMOBILV25 FRA PAR U/FESTE	1

(Additional push handles complete viamobil V25 pair comprising right and left spare parts)



1459382	CYLINDER SKRUE DIN912 - M 6 x 80 - 8.8 vz	1
1460704	BALLCUP KROM VIAMOBIL	1
1460719	ALBER VIAMOBIL BOLT TILLEDSAGERSTYRING VIAMOB	1
1467795	GREP TIL VIAMOBIL	1
1467802	(Handle lower part V25/E25/E26)	1
1520852	(Cover for handle V25/E25)	1
1520979	(Cover with opening for push handles V25)	1
1520982	(Connecting piece left viamobil V25)	1
1520983	KILE KJØREHÅNDTAKVIAMOBIL V25	1
1520988	(Connecting piece right viamobil V25)	1
1521033	DEKSEL VIAMOBIL V25	1
1521047	(Extra handle viamobil V25 left)	1
1521048	(Extra handle viamobil V25 right)	1
1521049	MONTERING FOR KLEMME V25	1
1521125	FESTE FOR KJØREHÅNDTAKVIAMOBIL V25	1
1521212	SKYVEHÅNDTAK 'DUMMY'KPLVIAMOBIL V25 /E35	1

(Anti-tippers V25 spare parts)



1459382	CYLINDER SKRUE DIN912 - M 6 x 80 - 8.8 vz	1
1459944	(Washer DIN 988 - 10 x 16 x 1)	1
1467845	TIPPESIKRING ARM HØ UTENHJUL	1
1467846	TIPPESIKRING ARM VE UTENHJUL	1
1489365	HJUL TIL TIPPESIKRINGM/JACK UP FUNKSJON	1
1519603	LÅSERING TIPPESIKRINGDIN 6799 Gr.8 VZ	1
1521049	MONTERING FOR KLEMME V25	1
1521069	TIPPESIKRING VE VIAMOBILV25	1
1521070	TIPPESIKRING HØ VIA V25	1
1521071	FESTE TIPPESIKRING KPLPAR UTEN TIPPESIKRIN V25	1
1521081	LÅSEMEKANISMETIPPESIKRING VE V25	1
1521088	KILE	1
1521089	LÅSEMEKANISMETIPPESIKRING V25 HØ	1
1521113	(Sleeve anti-tipper)	1
1521309	HOLDER FOR MONTTIPPESIKRING PÅ VIA v25	1



Yes, you can.®



Belgium & Luxemburg:

Invacare nv, Autobaan 22, B-8210 Loppem
Tel: (32) (0)50 83 10 10, Fax: (32) (0)50 83 10 11
belgium@invacare.com / www.invacare.be

Denmark:

Invacare A/S, Sdr. Ringvej 37, DK-2605 Brøndby
Tel: (45) (0)36 90 00 00, Fax: (45) (0)36 90 00 01
denmark@invacare.com / www.invacare.dk

Deutschland:

Invacare Aquatec GmbH, Alemannenstraße 10, D-88316 Isny
Tel: (49) (0)75 62 7 00 0, Fax: (49) (0)75 62 7 00 66
info@invacare-aquatec.com / www.invacare-aquatec.de

European Distributor Organisation:

Invacare, Kleiststraße 49, D-32457 Porta Westfalica
Tel: (49) (0)57 31 754 540, Fax: (49) (0)57 31 754 541
edo@invacare.com / www.invacare.eu.com

España:

Invacare SA, c/Areny s/n, Polígon Industrial de Celrà, E-17460 Celrà (Girona)
Tel: (34) (0)972 49 32 00, Fax: (34) (0)972 49 32 20
contactsp@invacare.com / www.invacare.es

France:

Invacare Poirier SAS, Route de St Roch, F-37230 Fondettes
Tel: (33) (0)2 47 62 64 66, Fax: (33) (0)2 47 42 12 24
contactfr@invacare.com / www.invacare.fr

Ireland:

Invacare Ireland Ltd, Unit 5 Seatown Business Campus, Seatown Road, Swords, County Dublin - Ireland
Tel: (353) 1 810 7084, Fax: (353) 1 810 7085
ireland@invacare.com / www.invacare.ie

Italia:

Invacare Mecc San s.r.l., Via dei Pini 62, I-36016 Thiene (VI)
Tel: (39) 0445 38 00 59, Fax: (39) 0445 38 00 34
italia@invacare.com / www.invacare.it

Nederland:

Invacare BV, Celsiusstraat 46, NL-6716 BZ Ede
Tel: (31) (0)318 695 757, Fax: (31) (0)318 695 758
nederland@invacare.com, csede@invacare.com / www.invacare.nl

Norge:

Invacare AS, Grensesvingen 9, Postboks 6230, Etterstad, N-0603 Oslo
Tel: (47) (0)22 57 95 00, Fax: (47) (0)22 57 95 01
norway@invacare.com, island@invacare.com / www.invacare.no

Österreich:

Invacare Austria GmbH, Herzog Odilostrasse 101, A-5310 Mondsee
Tel: (43) 6232 5535 0, Fax: (43) 6232 5535 4
info-austria@invacare.com / www.invacare.at

Portugal:

Invacare Lda, Rua Estrada Velha, 949, P-4465-784 Leça do Balio
Tel: (351) (0)225 1059 46/47, Fax: (351) (0)225 1057 39
portugal@invacare.com / www.invacare.pt

Sverige & Suomi:

Invacare AB, Fagerstagatan 9, S-163 91 Spånga
Tel: (46) (0)8 761 70 90, Fax: (46) (0)8 761 81 08
sweden@invacare.com, finland@invacare.com / www.invacare.se

Switzerland:

Invacare AG, Benkenstrasse 260, CH-4108 Witterswil
Tel: (41) (0)61 487 70 80, Fax: (41) (0)61 487 70 81
switzerland@invacare.com / www.invacare.ch

United Kingdom:

Invacare Limited, Pencoed Technology Park, Pencoed, Bridgend CF35 5AQ
Switchboard Tel: (44) (0)1656 776200, Fax: (44) (0)1656 776201
Customer services Tel: (44) (0)1656 776222, Fax: (44) (0)1656 776220
uk@invacare.com / www.invacare.co.uk